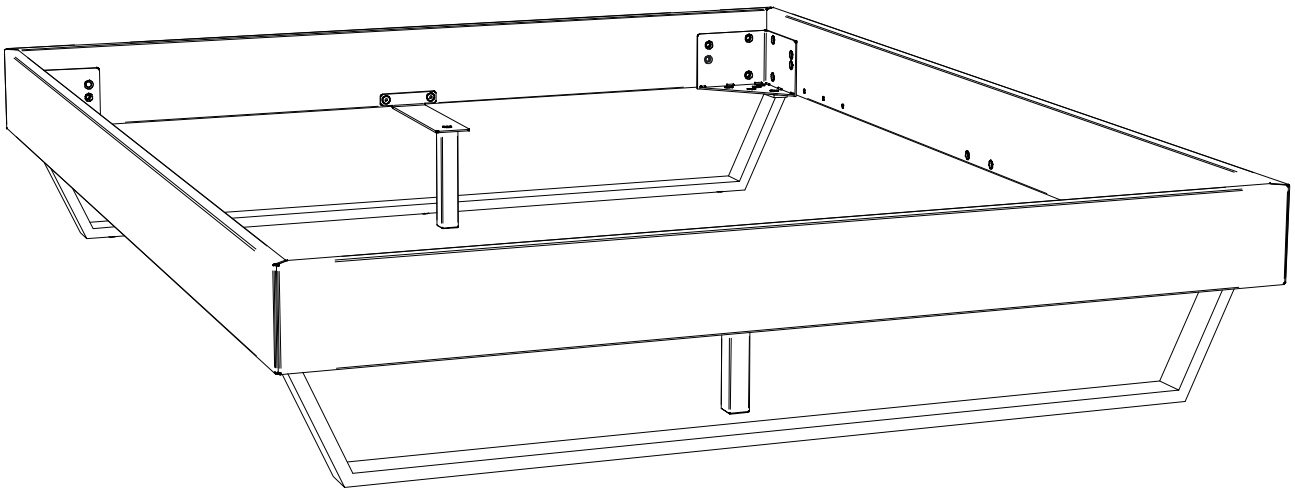
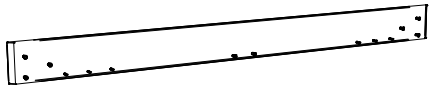


# Ostino



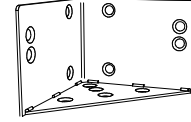
A x2



B x2

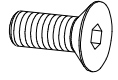


C x4



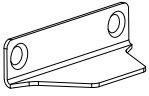
630.10142

D x26  
M8x20



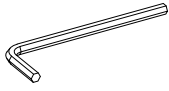
631.87200

E x2

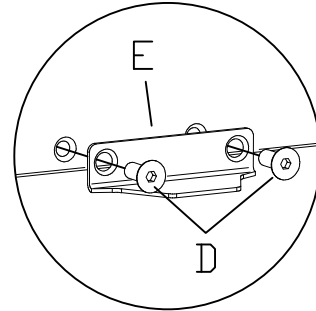


630.09942

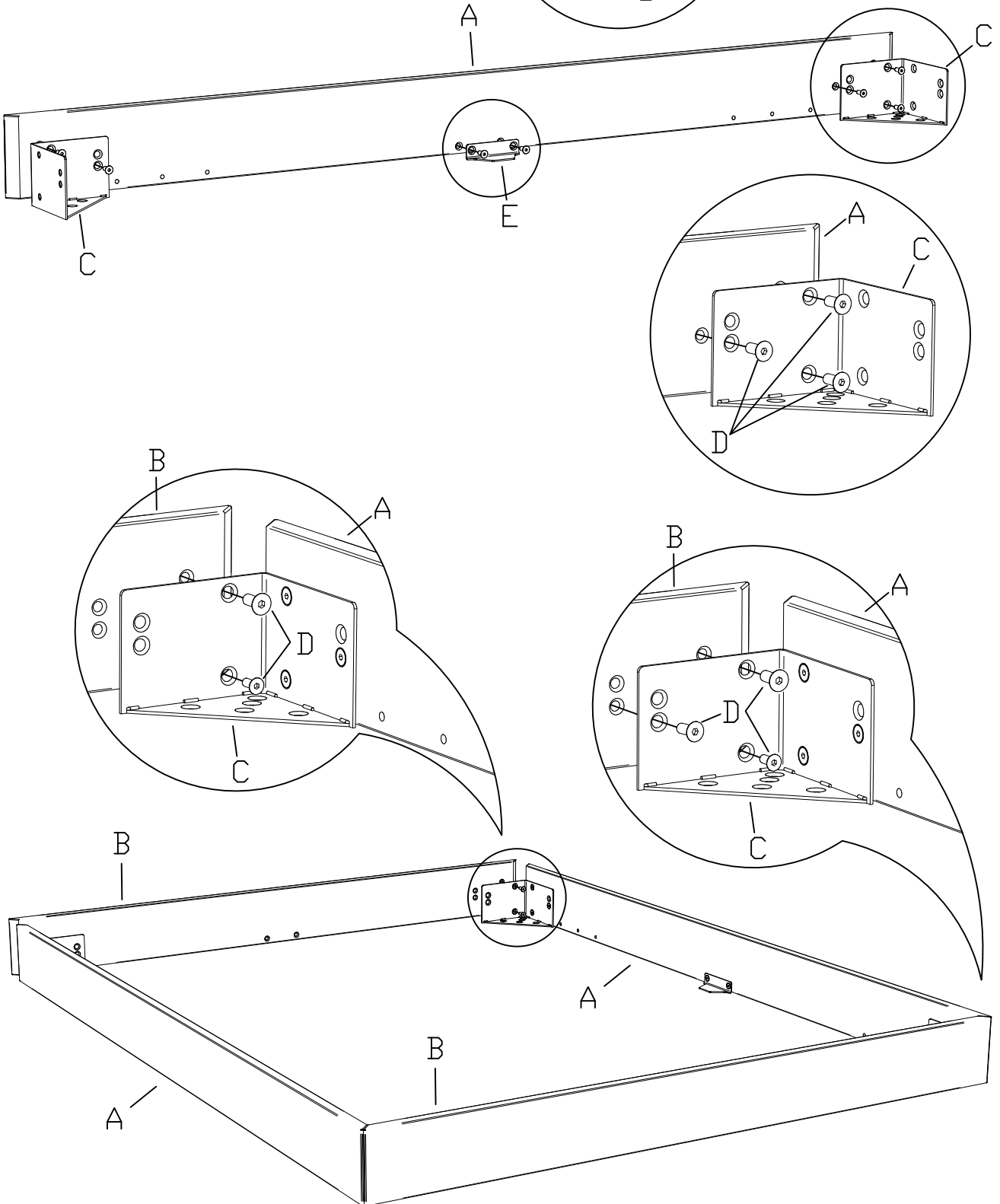
Z x1



631.10000

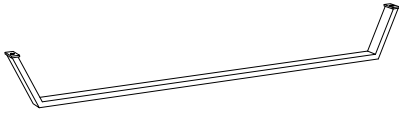


1.

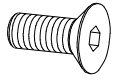


660.01240

F x2

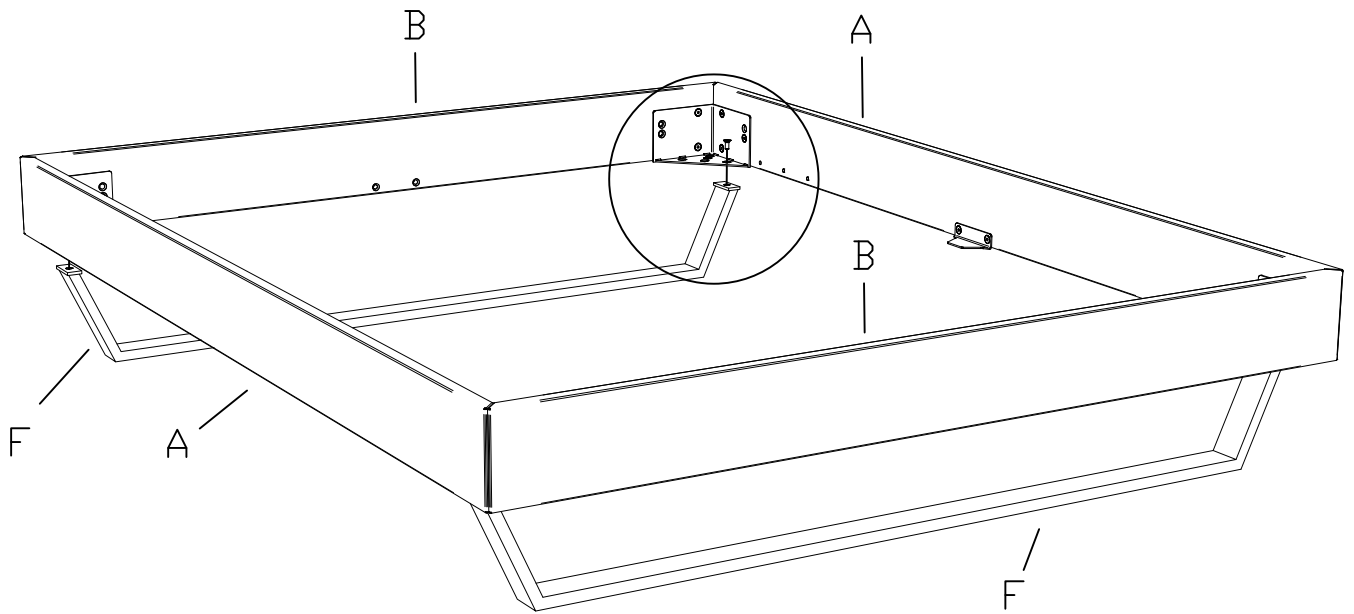
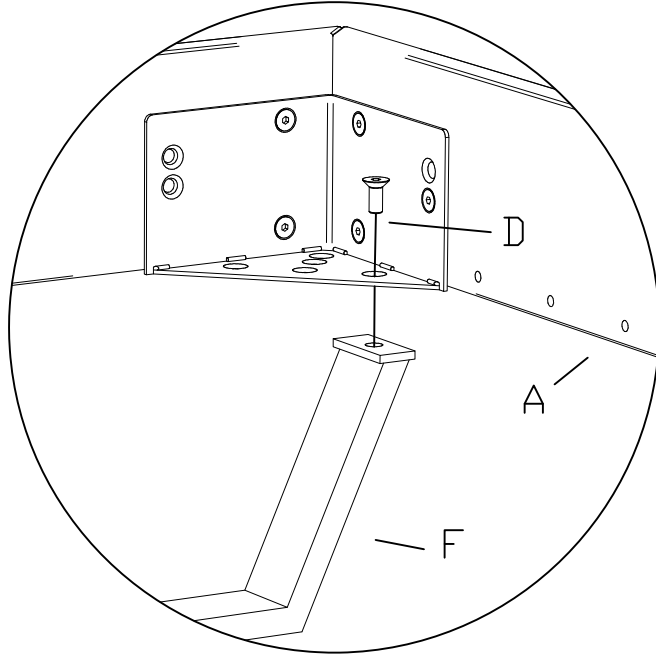


D x4  
M8x20



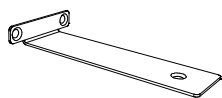
631.87200

2.



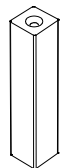
bei Breiten ab 160cm  
for widths from 160cm  
à partir des dimensions 160cm  
della misura 160cm

M x2

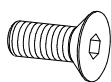


790.023

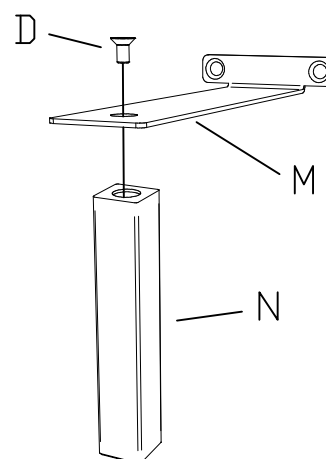
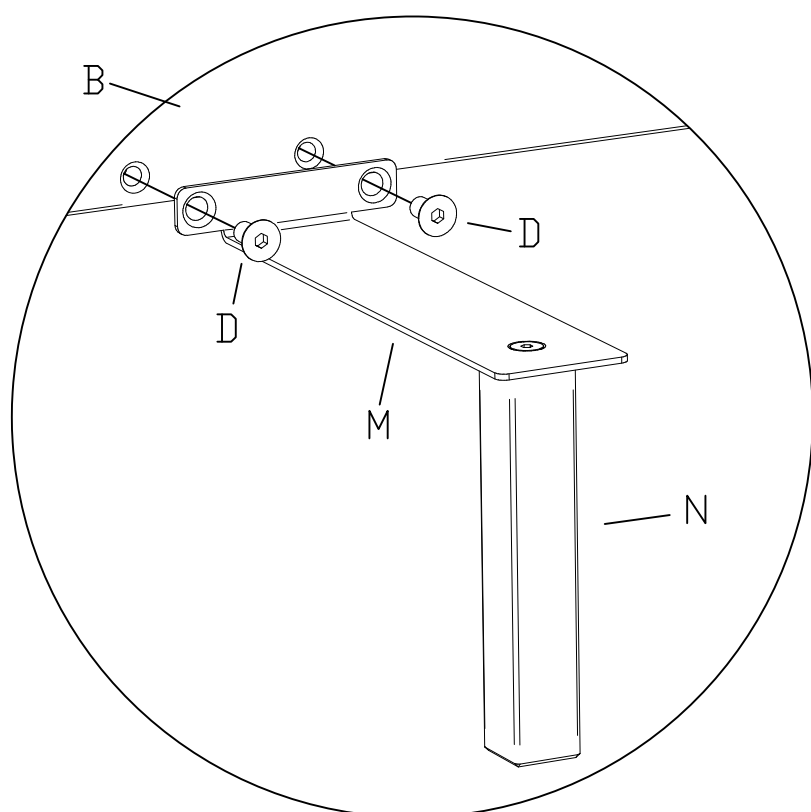
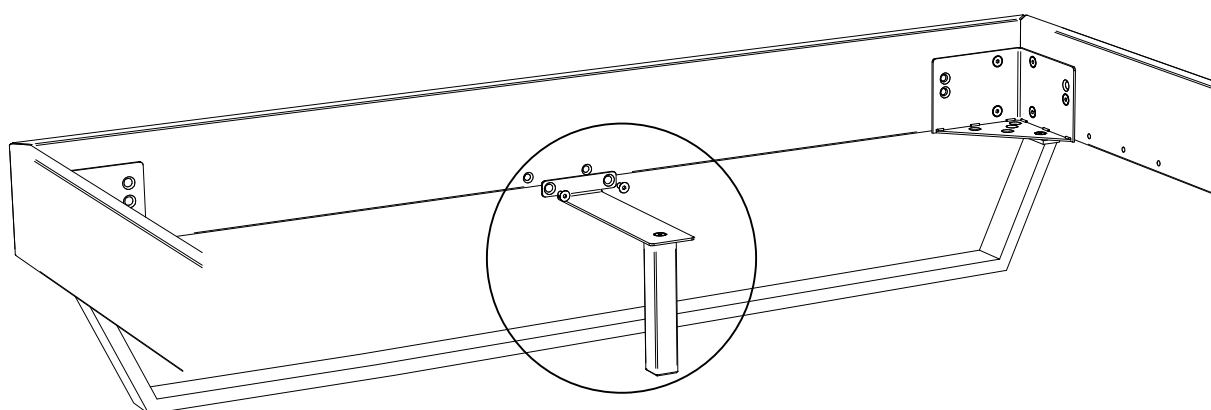
N x2



D x6  
M8x20



631.87200



660.01240