



ROGUE[®]

Owner's Manual

R425, R525, & R625 |
RP425, RP525, & RP625
RPS425, RPS525, & RPS625

Grills illustrated in this manual may differ from model purchased.



We Want Your Feedback!

Visit Napoleon.com to write a review



Apply Serial Number

FR

P.27

ES


P.53


CONGRATULATIONS ON YOUR NAPOLEON® GRILL!

You've Just Upgraded Your Grilling Game.



**OUR GOAL IS TO MAKE YOUR GRILLING EXPERIENCE
BOTH MEMORABLE AND SAFE.**

 Please read this Owner's Manual before using the appliance to avoid property damage, personal injury, or death.

 Remove all packaging material, promotional labels and cards from the grill before use.

USE OUTDOORS IN A WELL-VENTILATED SPACE.

IF YOU SMELL GAS:

- Shut off gas to the appliance.
- Extinguish any open flame.
- Open lid.
- If odor continues, keep away from the appliance and immediately call your gas supplier, or fire department.



Do not try to light this appliance without reading the "LIGHTING" instructions section of this manual.

Do not store or use gasoline, or other flammable liquids or vapors in the vicinity of this or any other appliance.

An L.P. (propane) cylinder not connected for use must not be stored in the vicinity of this or any other appliance.

If the information in these instructions is not followed exactly, a fire or explosion may result and cause property damage, personal injury, or death.



Alert adults and children about the hazard of hot surface temperatures. Supervise young children near the grill.

NOTICE TO INSTALLER: Leave these instructions with the grill owner for future reference.

NOTICE TO CONSUMER: Keep these instructions for future reference.

Welcome to Napoleon!

Safety First

WARNING! General Information

This grill should be installed in conformity with local codes. In absence of local codes, install to the current Natural Gas and Propane Installation Code CSA B149.1 in Canada, or the National Fuel Gas Code ANSI Z223.1/NFPA 54 in the United States.

If a rotisserie motor is used, it must be electrically grounded in accordance with local codes. In absence of local codes, follow the current Canadian Electrical Code CSA C22.1 in Canada, or the National Electrical Code ANSI/NFPA 70 in the United States.

WARNING! Installation & Assembly

Assemble this grill exactly as instructed in the Assembly Guide. If the grill was assembled in-store, review the assembly instructions to ensure it is done correctly.

Not to be installed in or on recreational vehicles and/or boats. Perform the required Leak Test before operating the grill. Do not modify this grill under any circumstances. Do not use a cylinder that is not equipped with a QCC1 type connection.

Only use the pressure regulator and hose assembly supplied with this grill or replacement parts specifically recommended by Napoleon.

WARNING! Operation

Read this entire Owner's Manual before operating this grill.

Leak Test this grill before each use, annually and when any gas components are replaced. Follow the lighting instructions carefully.

WARNING! Storage & Disuse

Turn off gas at the propane cylinder or natural gas supply valve. Disconnect the hose between the propane cylinder and grill. Remove the propane cylinder and store outdoors in a well-ventilated space away from children.

DO NOT store propane cylinders in a building, garage, shed, or any other enclosed space. Disconnect the natural gas hook-up from the supply when storing the grill indoors.

WARNING! California Proposition 65

This product can expose you to chemicals including soot, which are known to the State of California to cause cancer, and chemicals including carbon monoxide, which are known to the State of California to cause birth defects or other reproductive harm. For more information go to www.P65Warnings.ca.gov.

CONTENTS

Welcome to Napoleon!	3
Safety First	
Full System Features	4
Getting Started	5
Additional Safe Operating Practices	
Locating Your Grill	
Gas Connections	
Leak Test	
Operation	10
Lighting your grill	
Grilling Instructions	
How to use the Rear Burner & Rotisserie	
The Grilling Experience Checklist	
Refer to this list every time you grill	
How to Season Cast Iron Cooking Grids	
Infra-red Grilling Guide	16
Cleaning Instructions	17
Maintenance Instructions	20
Combustion in air adjustment	
Stainless in harsh environments	
Troubleshooting	22
Warranty	25

Full System Features

ACCU-PROBE Temperature Gauge to easily read the temperature for perfect results.

Rear Infra-red Rotisserie Burner to enjoy succulent rotisserie meals

Large Stainless Steel Warming Rack for increased cooking area.

Infra-red **SIZZLE ZONE** Side Burner for perfectly grilled steaks

Integrated Bottle Opener close to the grilling action.

Backlit Control Knobs for late night entertaining.

Heavy Gauge Stainless Steel Burners for long lasting quality.

Instant **JETFIRE** Ignition for quick and east start-up.

Propane Tank Ring for stable tank storage.

Stainless Steel Iconic **WAVE** (Cast Iron) Cooking Grids for those distinctive sear marks and even cooking.

Dual-level Stainless Steel Sear Plates for consistent even heating and vaporizing drippings for more flavourful food.

Stainless Steel Folding Side Shelve with Integrated Tool Hooks.

Condiment Basket to keep your favourite sauces and spices close on hand.

Easy Locking Casters safely lock the grill in position.

Easy access drip pan for efficient maintenance.

 The grills illustrated in this Owner's Manual may differ from the model you purchased. Featured model: ROGUE RPSE625

Getting Started



DANGER! Advises of a hazard that could result in a fire, explosion, death or serious physical injury.



WARNING! Advises of a hazard that could result in minor physical injury or property damage.



Wear protective gloves.



Wear safety glasses.



CAUTION! Hot surface.



Important Information.



Do not smoke while performing a gas leak test. Sparks or flames will cause a fire, explosion, damage to property, serious physical injury, or death.



Never use an open flame to check for gas leaks. Sparks or flames will cause a fire, explosion, damage to property, serious physical injury, or death.



Immediately shut off the gas supply and disconnect.

Additional Safe Operating Practices

- Do not route the hose underneath the drip pan. Maintain proper hose clearance to the bottom of the unit.
- Ensure sear plates are positioned properly according to sear plate installation instructions.
- Burner controls must be off when turning the gas cylinder valve on.
- Do not light burners with the lid closed.
- Do not operate the rear burner(s) with the main burners.
- Do not close the side burner lid when operating or hot.
- Do not deep fry food on the side burner.
- Do not adjust the cooking grids when operating or hot.
- Do not move the appliance during use.
- Turn off the gas supply at the source after use.
- Do not modify the appliance.
- Maintenance should only be done when the grill is cool.
- Do not store lighters, matches or any other combustibles inside the enclosure or condiment tray.
- Keep all electrical supply cords and fuel supply hoses away from all heated surfaces.
- Clean the grease tray, drip pan, and sear plates regularly to avoid build-up and grease fires.
- Keep the Infra-red burner and main burner venturi tubes free from spider webs and other obstructions by inspecting and cleaning it regularly.
- Do not allow cold water (rain, sprinkler, hose etc.) to contact the heated grill. An immediate temperature change will chip the porcelain and crack the ceramic burners.
- Do not use a pressure washer to clean any part of the grill.
- Do not locate this grill where it can be exposed to high winds, especially when the wind can come from directly behind the grill.
- Do not operate appliance under any combustible construction.
- Never cover more than 75% of the cooking surface.
- This appliance must be kept away from flammable materials while in use.
- Always maintain proper clearance to combustibles 26" (660.4 mm) to rear of unit, 10" (254 mm) to sides.
- Additional clearance of 24" (610 mm) is recommended near vinyl siding or panes of glass.
- The minimum ambient operating temperature for safe use of the appliance is 0 °F (-17.8 °C).



WARNING!

- The hook-up and installation of the gas and hose connection must be performed by a licensed gas fitter, and leak tested before operating the grill.
- Ensure the hoses do not contact any high temperature surfaces of the grill.
- Accessible parts may be very hot. Keep young children away.

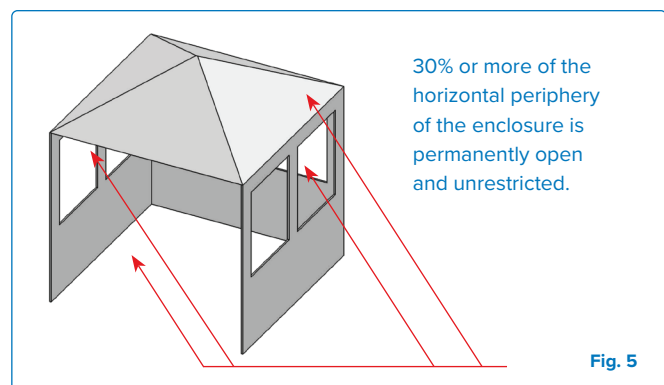
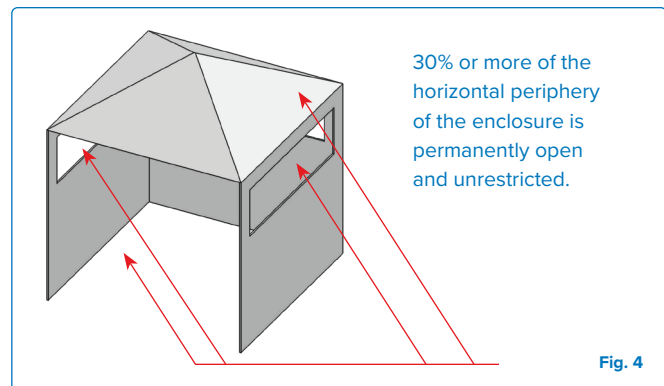
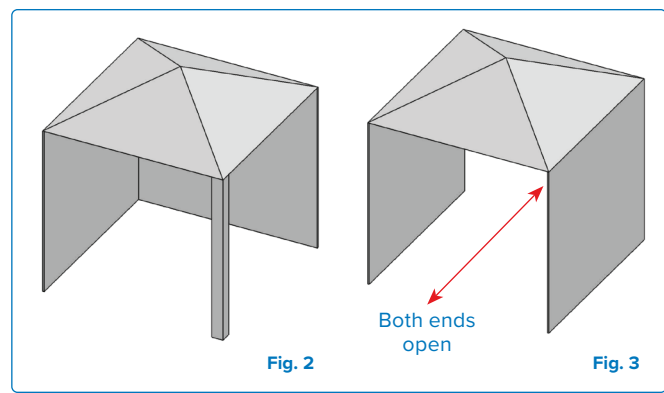
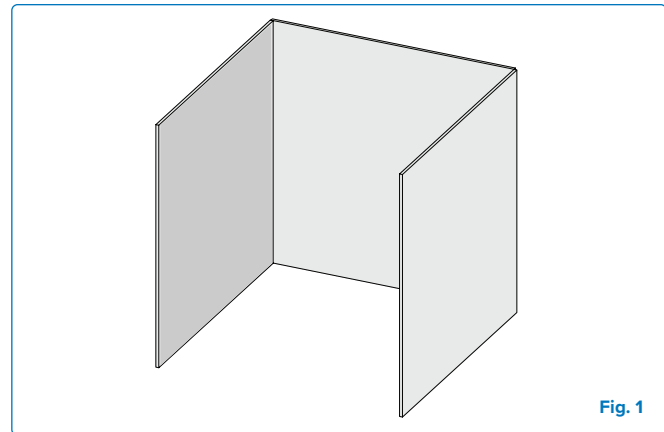
Locating Your Grill

It is important when selecting a location for your gas grill to ensure clearances to adjacent combustibles are met. This appliance is intended for installation on an outdoor patio or in your yard.

- This appliance shall only be used in an above ground open-air situation with natural ventilation, without stagnant areas, where gas leakage and products of combustion are rapidly dispersed by wind and natural convection.
- Do not use in a building, garage, or any other enclosed area.
- Do not incorporate the appliance into any built-in or slide-in construction.
- Do not obstruct any cylinder enclosure ventilation openings.

Any enclosure in which the appliance is used shall comply with one of the following:

- An appliance is considered to be outdoors if installed with shelter no more inclusive than with walls on three sides, but with no overhead cover. **(Fig 1)**
 - All openings must be permanently open.
 - Sliding doors, garage doors, windows, or screened openings are **not considered** as permanent openings.
- An appliance is considered to be outdoors if installed with shelter no more inclusive than within a partial enclosure that includes an overhead cover and no more than two sidewalls.
 - The sidewalls may be parallel, as in a breezeway, or at right angles to each other. **(Fig 2 & Fig 3)**
 - All openings must be permanently open.
 - Sliding doors, garage doors, windows, or screened openings are **not considered** as permanent openings.
- An appliance is considered to be outdoors if installed with shelter no more inclusive than within a partial enclosure that includes an overhead cover and three sidewalls, as long as 30% or more of the horizontal periphery of the enclosure is permanently open. **(Fig 4 & Fig 5)**
 - All openings must be permanently open.
 - Sliding doors, garage doors, windows, or screened openings are **not considered** as permanent openings.



Gas Connections

To a Propane Cylinder: Option 1

Only use a 20 lb. (9.1 kg) propane cylinder constructed and marked in accordance with the Specifications for LP gas Cylinders of the U.S. Department of Transportation (D.O.T.) or the Standard for Cylinders, Spheres and Tubes for Transportation of Dangerous Goods and Commission, CAN/CSA-B339, as applicable.

Only use a gas pressure regulator specified by Napoleon. The regulator must supply a pressure of 11 inches water column (0.39 psi) and have a QCC1 type fitting.

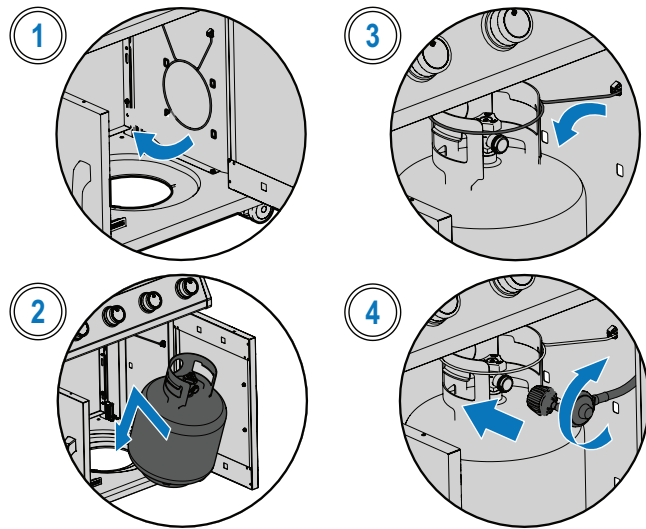
The cylinder connection device must be compatible with the connection for this outdoor appliance.

The propane cylinder must have:

- A shutoff valve with a QCC1 connection
- A safety relief device
- A collar to protect the valve
- A listed Overfill Protection Device

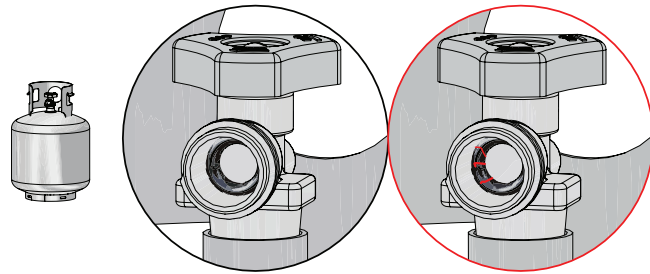
Hook-up and Installation

- Check the cylinder for dents or rust, and have it inspected by your propane supplier.
- Never use a cylinder with a damaged valve.
- Place the cylinder in its designated area on the bottom shelf.
- Ensure the gas regulator hose has no kinks.
- Remove the cap or plug from the cylinder fuel valve.
- Insert the black QCC1 regulator nipple onto the QCC1 fuel valve. Hand tighten clockwise. Do not use tools.
- Ensure the hose does not contact with the drip pan or any high temperature surfaces of the grill because it will melt and cause a fire.
- Leak test all joints prior to operating the grill. See **“Leak Test”**.
- The cylinder must be mounted so that the pressure relief valve outlet is not oriented toward the normal operating position of the user.



NOTE: Inspect the LP gas cylinder valve seal for cracks, wear, or deterioration each time the cylinder is replaced or refilled.

Any LP gas cylinder showing signs of damage or deterioration, including visible cracks and pitting, must be returned unused to the seller.



! WARNING!

- Do not store a spare gas cylinder below the grill head or side burners.
- Follow all specifications and instructions exactly to prevent fire, explosion, property damage, personal injury, or death.
- Never use a gas cylinder that is beyond 80% full.
- Disconnect the grill and its individual shutoff valve from the gas supply piping system during any pressure testing in excess of ½ psi (3.5 kPa).

To a House Gas Supply Line: Option 2

- A gas supply hose and quick disconnect designed for natural gas and certified for outdoor use are included with natural gas grills. This supply hose may also be used for bulk propane installations.
 - Natural gas plumbing must supply a pressure of 7 inches water column to the inlet of the grill. Bulk propane gas plumbing must supply a pressure of 11 inches water column to the inlet of the grill.
 - Piping and valves upstream of the quick disconnect are not supplied.
 - The gas pipe must be sized to supply the BTU/h specified on the rating plate, based on the length of the piping run.
 - See **“WARNING! General Information”** of this manual for installation codes.
1. Hook-up to a gas supply line must be performed by a licensed gas fitter and leak tested before operating the grill.
 2. Do not route the hose in close proximity to the drip pan or over top of the back panel.
 3. Ensure the hose does not contact any high temperature surfaces.

Quick Disconnect

- Do not install the quick disconnect in an upward direction.
- A readily accessible manual shut-off valve must be installed upstream of the quick disconnect, and as close to it as possible.
- Connect the flared end of the hose to the fitting on the end of the manifold tube or flex tube (if applicable).
- Tighten using two wrenches. Do not use thread sealer or pipe dope.
- Leak test all joints prior to operating the gas grill. See **“Leak Test”**.



WARNING!

- Close the individual shutoff valve to isolate the grill from the gas supply piping system during any pressure testing equal to or less than ½ Psi (3.5 kPa).
- Check the hose for evidence of excessive abrasion, melting, cuts or cracks. If the hose is damaged, it must be replaced with an assembly specifically recommended by Napoleon.



BE CAREFUL!

The lid of the grill and the entire firebox can become very hot when in use.

Leak Test

Why and When to Leak Test?

A leak test confirms no gas is escaping after you connect the hose to the gas supply.

Each time the tank is refilled and reinstalled, ensure that there are no leaks in the fitting where the regulator connects to the tank.

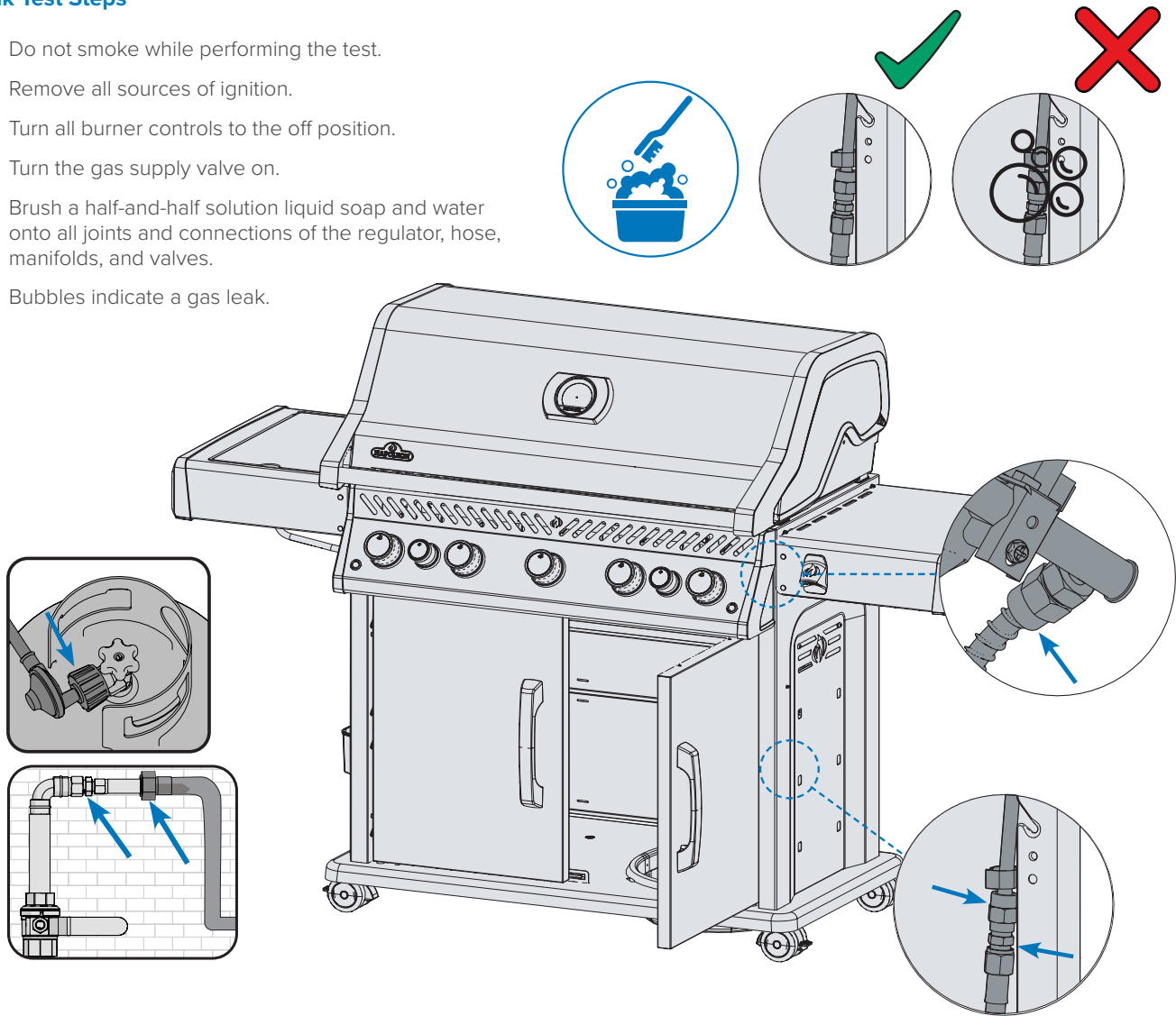
Leak test this grill before use, annually, and when any gas components are replaced.

Leak Test Steps

1. Do not smoke while performing the test.
2. Remove all sources of ignition.
3. Turn all burner controls to the off position.
4. Turn the gas supply valve on.
5. Brush a half-and-half solution liquid soap and water onto all joints and connections of the regulator, hose, manifolds, and valves.
6. Bubbles indicate a gas leak.

If you Find a Leak

1. Tighten any loose joints.
2. If the leak cannot be stopped, immediately shut off the gas supply and disconnect the grill.
3. Have the grill inspected by a certified installer, or dealer.
4. Do not use the grill until the leak has been fixed.



DANGER!

- Never use an open flame to check for gas leaks. Sparks or flames will cause a fire, explosion, damage to property, serious physical injury, or death.
- Only use the pressure regulator and hose assembly supplied with the grill, or one in conformity with local codes.

Operation

Lighting your grill

Is it the very first time? Perform a Burn-off

Remove warming rack and run the main burners on high for 30 minutes. It is normal for the grill to emit an odor the first time it is lit. This odor is caused by the “burn-off” of internal paints and lubricants used in the manufacturing process and will not occur again.

WARNING!

- Do not operate the rear or side burner while performing a Burn-Off.

Main Burner Lighting

- Open grill lid.
- Push and slowly turn any main burner knob counter clockwise to HIGH position until pilot lights. Continue to push down on the control knob until the burner lights and then release.
- If the pilot does not light – immediately turn the control knob clockwise to the OFF position. Repeat step 2.
- If the pilot and burner will not light in 5 seconds – turn the control knob clockwise to the OFF position. Wait 5 minutes for gas to dissipate. Repeat steps 2 and 3, or light with a match. **(Fig. 6).**

WARNING!

- Do not use the rear burner while operating the main burner.

Rear Burner Lighting (if equipped)

- Open grill lid.
- Remove warming rack.
- Push and slowly turn rear burner knob counter clockwise to HIGH position.
- Press and hold igniter button until the burner lights, or light by match.
- If the burner will not light – turn burner control knob clockwise to the OFF position. Wait 5 minutes. Repeat step 3 and 4. **(Fig. 6)**.

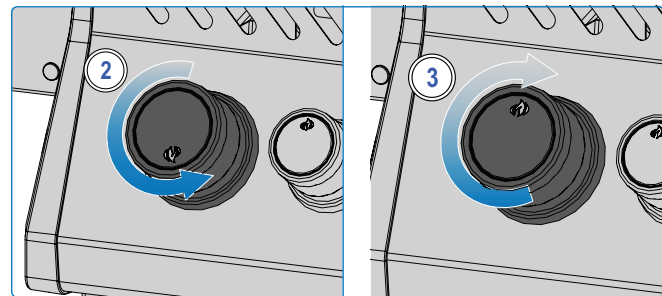
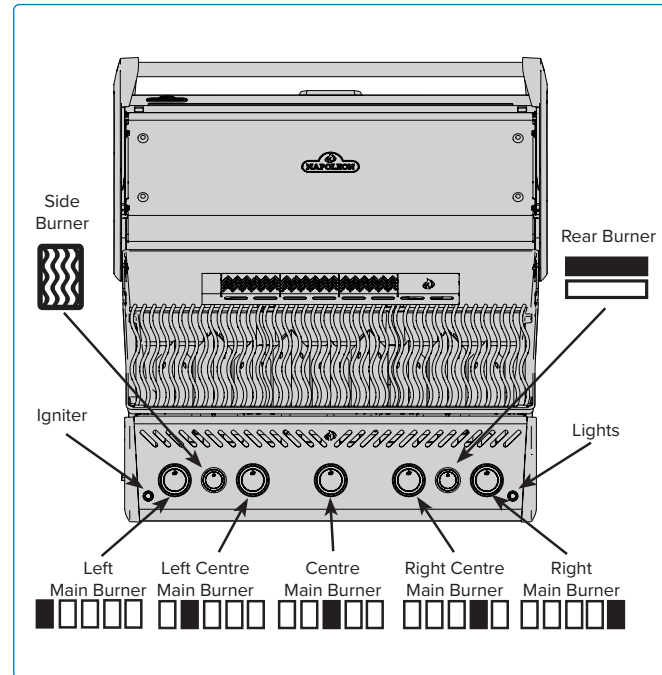


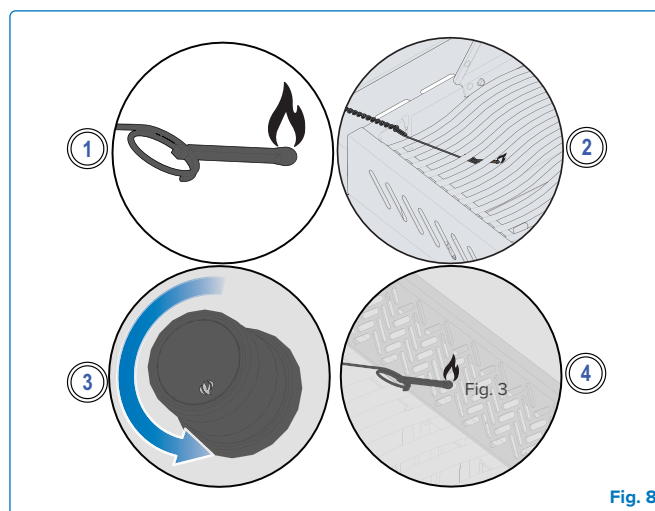
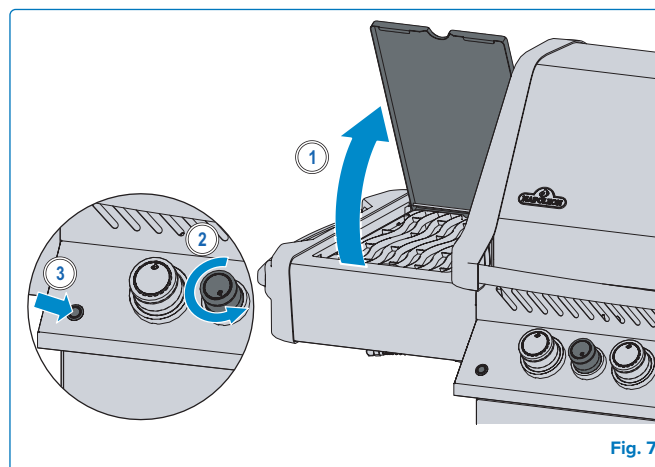
Fig. 6

Side Burner Lighting (if equipped)

1. Open burner cover.
2. Push and slowly turn side burner knob counter clockwise to HIGH position.
3. Press and hold igniter button until the burner lights, or light by match.
4. If the burner will not ignite – turn burner control knob clockwise to the OFF position. Wait 5 minutes. Repeat step 2 and 3. **(Fig. 7).**

Lighting with a match

1. Clip the match into the supplied lighting rod.
2. Insert the lit match through the cooking grids and sear plates while turning the corresponding burner knob to high. **(Fig. 8).**



WARNING!

- Ensure all burner controls are in the OFF position before slowly turning on gas supply valve.
- Follow the lighting instructions carefully.
- Make sure the lid of the grill is OPEN while igniting.
- Do not adjust the cooking grids while the grill is hot, or operating.
- Regularly clean grease out of the entire unit, including the grease tray and the sear plates, to avoid build-up and grease fires.



Grilling Instructions

Main Burner Use

- Preheat the grill before searing food by operating all main burners on high with the lid closed for approximately 10 minutes.
- Food cooked for only a short time such as fish and vegetables can be grilled with the lid open.
- Grilling with the lid closed ensures higher and consistent temperatures that cook meat more evenly and can reduce cooking times.
- The cooking grids can be oiled before preheating to reduce sticking when grilling lean meat such as chicken breast, or pork.
- Food that takes longer than 30 minutes such as roasts can be cooked indirectly with the burner lit opposite the food. See Indirect Grilling.
- Trim excess fat off meat to prevent flare-ups, or reduce the temperature of the grill.
- Flare ups – move food away from the flames and reduce the heat. Leave the lid open.

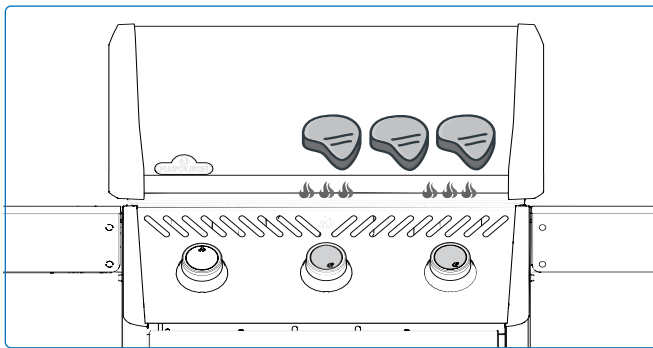
Direct Grilling

This method is often used for searing, or food cooked for only a short time such as hamburgers, steaks, chicken, or vegetables.

Place food on the cooking grids directly over the heat.

Sear meat first to trap-in the juices and flavor.

Lower the grill temperature to finish cooking to your preference.



! DANGER!

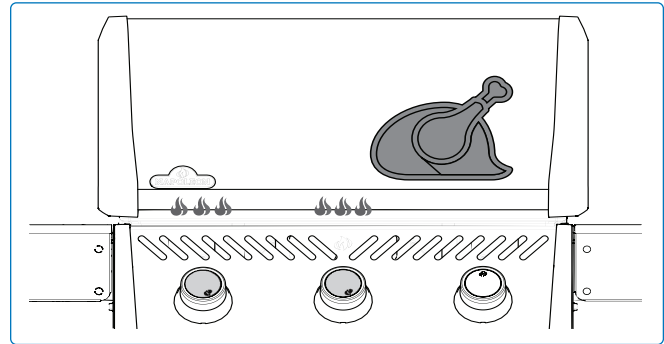
- Never grill food directly on the flame side burner. It is designed for use with pots and pans only.
- Do not close side burner lid while it is operating or hot.
- Do not leave food unattended on any lit burners.
- Do not deep fry food on the side burner. Cooking with oil can be dangerous.
- Regularly clean grease out of the entire unit, including the grease tray and the sear plates, to avoid build-up and grease fires.

Indirect Grilling

This method uses lower temperatures and circulates heat around the food cooking it slowly and evenly. Use this method to cook larger cuts of meat, or food prone to flare-ups such as roast, chicken, or turkey.

Turn one or more burners on and place food on the cooking grid where there is no flame, or burner on.

Grilling at a lower temperature and slower cooking time results in more tender meats.



Flame Side Burner (if equipped)

The flame side burner can be used like a stove top to make gravy or soups. The maximum pot or pan diameter is 10" (25 cm). Be sure your grill is in a location protected from the wind, or the performance of the side burner will be affected.

Infra-red Side Burner (if equipped)

To operate, follow the "Side Burner Lighting" instructions. The Infra-red heat provides an even cooking area for searing food when it's set to high.

Some side burner models have a height-adjustable cooking grid.

Grilling at Night (if applicable)

- Illuminate the control knobs by pushing the light bulb icon on the control panel.
- Rogue PRO models feature white backlit control knobs.
- Rogue PRO-S models are equipped with a lighting system that responds to control knob position. When a burner is operating, the corresponding control knob will glow red, while the rest remain blue.



GRILLING PRO TIP!

Add a Napoleon smoker accessory to your grill to flavour your meat.



GRILLING PRO TIP!

Use a thermometer to check the internal temperature of meat to ensure it is cooked perfectly.

How to use the Rear Burner & Rotisserie

Assembling Your Rotisserie Kit (if equipped)

Note: Remove the warming rack prior to using the rear burner and spit rod. Extreme heat will damage the warming rack.

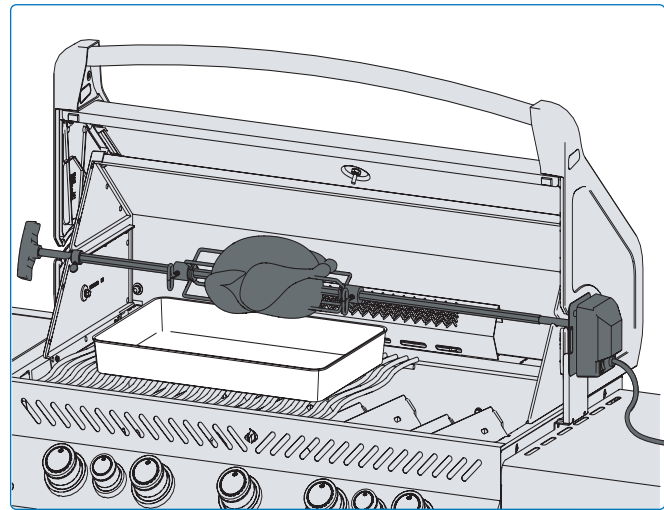
1. Install the rotisserie motor on the side of the grill using the mounting bracket(s). Some models have pre-mounted brackets.
2. Once the bracket has been fastened to the grill, slide the rotisserie motor onto the bracket.
3. Slide the first rotisserie fork just past the middle of the spit rod and tighten into place. Thread the meat onto the spit rod and push the meat into the fork. Slide the second rotisserie fork on the opposite end of the spit rod and push the fork into the meat until secure. Tighten the fork into place.
4. Carefully insert the pointed end of the spit rod into the rotisserie motor and set the opposite end across the hangers. The heavy side of the meat will naturally hang down to balance the load.
5. Slide the stop bushing onto the spit rod until it is past the inside of the hood. This will secure the side to side movement of the spit rod.
6. Tighten the stop bushing and spit rod handle. Place a metal dish under the meat to collect the drippings.

Tips about using the Rotisserie:

- Operate the rear burner on high until the meat browns. Reduce heat. Keep lid closed.
- Use a thermometer to check the internal temperature of the meat.
- Roasts and poultry should brown on the outside and stay tender on the inside.
- Use drippings to baste and make gravy.
- A 3-pound chicken takes approximately 1 ½ hours on medium to high.
- Be mindful of your rotisserie motor capacity. Never overload your equipment.
- Be sure to always set an evenly balanced load on your rotisserie.



IMPORTANT! Always wear gloves when handling components of the grill.



WARNING!

- Disassemble rotisserie components when finished cooking, wash with warm soapy water, and store indoors.
- Never use a gas cylinder that is beyond 80% full.
- Use heat resistant grilling gloves when handling the hot rotisserie components.
- Disconnect rotisserie plug from the outlet when the grill is not in use.

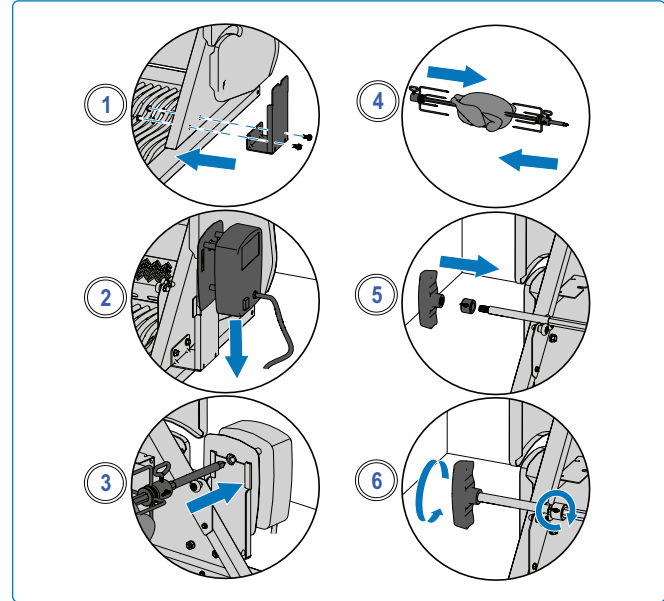


DID YOU KNOW?

You can remove the cooking grids if they interfere with cooking larger cuts of meat.

How to cook multiple chickens


1. Tie or skewer wings to the body of the chickens.
2. Slide rotisserie fork onto spit rod.
3. Thread first chicken onto spit rod until it is held into place by the rotisserie fork. Tighten.
4. Thread next 2 chickens onto spit rod so all the chickens are close together.
5. Slide second rotisserie fork onto spit rod and push into chicken until all 3 chickens are squeezed together tightly. Tighten.



The Grilling Experience Checklist

Refer to this list every time you grill

- Read Owner's Manual**
Be sure to have read the owner's manual and all the safety instructions.
- Clean grease tray**
Always ensure you clean the grease tray prior to grilling to avoid fires and flare-ups.
- Check the hose**
Ensure the grill is off and cool. Check the hose for evidence of excessive abrasions, or cuts. Have the hose replaced before use if the hose is damaged.
- Preheat and clean grids**
Coat the grids with vegetable shortening and preheat your grill to burn off excess residue and prevent sticking. Clean cast iron grids with a brass wire brush and stainless steel grids with a stainless brush. See "**Cleaning Instructions**".
- Prep area**
Make sure everything you need while grilling such as your utensils, seasonings, sauces, and dishes are within your reach. Don't leave your food unattended, or it could burn.
- Flip once and do not peek**
Try not to open the lid and peek too much, or heat will escape and throw your temperature and cooking times off. Flip your food only once, especially steak and chicken.
- Leave space**
Leave some space on the grill and between food, so you have room to move food around if you need to.
- Use a thermometer**
Use a thermometer to ensure food is cooked thoroughly. Follow the appropriate temperatures guidelines for all types of meat, especially poultry.

 **NOTE:** Stainless steel cooking grids are corrosion resistant and require less maintenance than cast iron grids.



GRILLING PRO TIP!

Discover inspiring recipes and grilling techniques in Napoleon's cookbooks or visit www.napoleon.com



GRILLING PRO TIP!

Always preheat the grill before cooking to burn off leftover residue and prevent food from sticking to the grate.



OIL AND FAT SUGGESTION!

Grapeseed Oil
Sunflower Oil
Soybean Oil
Extra Virgin Olive Oil
Canola Oil

If not available, select an oil or fat that has a high smoke point. Do not use salted fats like butter or margarine.



CAUTION!

How to Season Cast Iron Cooking Grids








This procedure **MUST** be done prior to first use and repeated every 3-4 uses to keep grids looking new.

1. Remove cast iron grids from the grill.
2. Wash grids with warm soapy water and soft cloth. Pat dry and allow grids to completely dry.
3. Apply fat/oil evenly using a silicone brush on both sides.
4. Preheat appliance to 350 °F - 400 °F (176 °C - 204 °C).
5. Install cooking grids and cook for 30 minutes.
6. Apply a second even coat of fat/oil on cooking grids, and keep cooking for 30 more minutes.
7. Grids are now seasoned.



NOTE: If rust has formed on the cast iron grids, remove the rust with scouring pad or brass brush and repeat the seasoning process.

Infra-red Grilling Guide

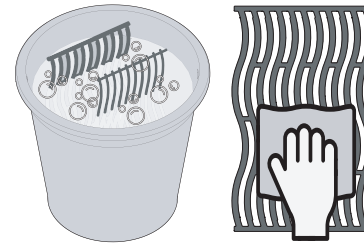
Food	Control Knob Setting	Cooking Time	Suggestions
 Steak 1 inch (2.54 cm) thick.	HIGH 2 minutes each side.	Rare – 4 minutes	Ask for marbled fat in cut. Fat is a natural tenderizer and keeps meat juicy.
	HIGH to MEDIUM High heat 2 minutes each side then turn to medium heat.	Medium – 6 minutes	
		Well Done – 8 minutes	
 Hamburger ½ inch (1.27 cm) thick	HIGH 2 minutes each side.	Rare – 4 minutes	Keep patties all the same thickness for equal cooking times. Patties 1 inch thick or more should be grilled using indirect heat.
	HIGH 2 ½ minutes each side.	Medium – 5 minutes	
	HIGH 3 minutes each side.	Well Done – 6 minutes	
 Chicken	HIGH, MEDIUM, LOW 2 minutes each side then medium-low to low heat.	20 – 25 minutes	Slice joint connecting the thigh and leg $\frac{3}{4}$ through for the meat to lie flat on the burner and cook evenly.
 Pork Chops	MEDIUM	6 minutes each side	Choose thick cuts for more tender meat. Trim off excess fat.
 Spare Ribs	HIGH to LOW High for 5 minutes then low until finished.	20 minutes each side turning often	Choose lean meaty ribs. Grill until meat pulls easily from the bone.
 Lamb Chops	HIGH to MEDIUM High for 5 minutes then Medium until finished.	15 minutes each side	Choose thick cuts for more tender meat. Trim off excess fat.
 Hot dogs	MEDIUM to LOW	4 – 6 minutes	Select larger wieners and slit lengthwise before grilling.

These are general guidelines. Please refer to the health authority recommendations for more detailed information.

Cleaning Instructions

First Time Use

1. Wash grids by hand with water and mild dish soap to remove any residue from the manufacturing process. DO NOT wash in a dishwasher.
2. Rinse thoroughly with hot water and dry completely with a soft cloth to prevent moisture from entering the cast iron.

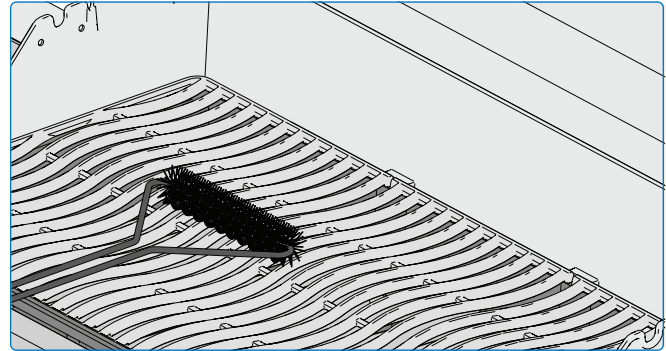


Cast Iron Grids

- Season your grids to add a protective coating to prevent corrosion. See Grilling Tips – **How to Season your Cast Iron Cooking Grids.**

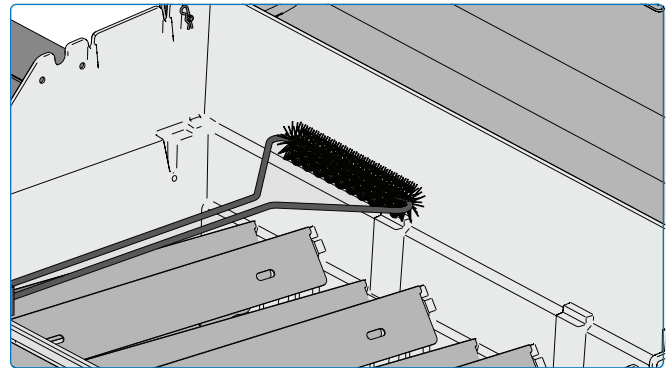
Stainless Steel Grids

- Stainless steel cooking grids can be cleaned by preheating the grill and using a wire brush to remove residue.
- Stainless steel grids will permanently discolor from regular use because of high temperatures when grilling.



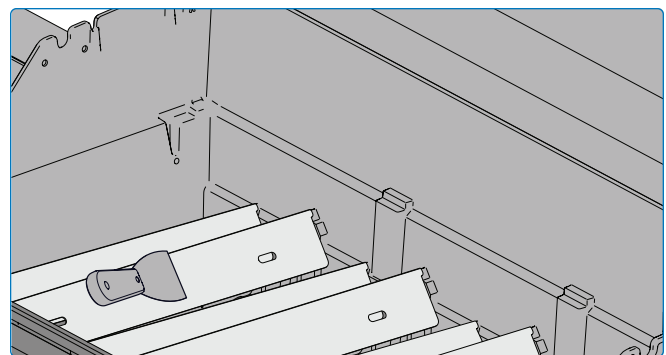
Infra-red Side Burner

- Most drippings and food particles that fall on the Infra-red burner surface incinerates immediately because of the high intensity heat.
- Do not clean the ceramic tile with a wire brush.
- Do not use water or other liquids to clean the burner. An immediate change in temperature will cause cracking of the ceramic tile.
- Light burner and operate on high for 5-10 minutes to remove any left-over residue.



Inside of the Grill

1. Remove the cooking grids.
2. Use a brass wire brush to clean loose debris from the sides and underneath the lid.
3. Scrape the sear plates with a putty knife or scraper. Use a wire brush to remove the ash.
4. Remove the sear plates and brush debris from the burners with a wire brush.
5. Sweep debris from inside the grill into the drip pan.



- Always wear protective gloves and safety glasses when cleaning your grill.
- Accumulated grease is a fire hazard.
- Cleaning should only be done when the grill is cool to avoid the possibility of burns.

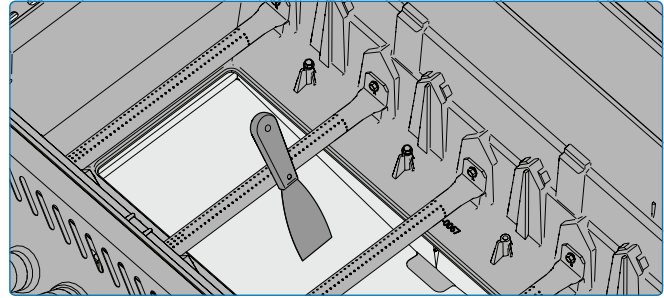
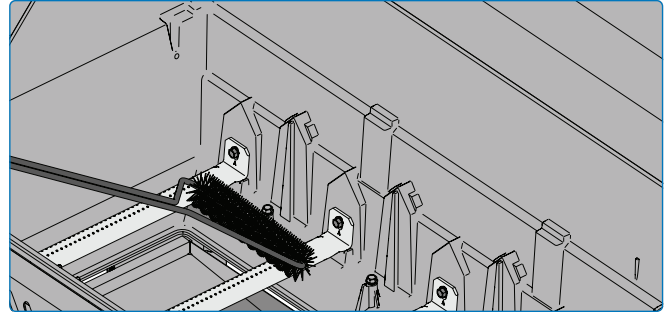
Drip Pan

Every grill head, side burner and drop-in burner have a corresponding drip pan. It is easily accessible through doors or openings.

- Grease and excess drippings collect in the drip pan located beneath the grill and accumulate in the disposable grease tray below the drip pan (if applicable).
- Only use Napoleon approved liners on the drip pan. Never use aluminum foil, sand or any other unapproved material. This can prevent grease from flowing properly.
- Clean frequently to avoid grease build-up – approximately every 4-5 uses.

Cleaning steps:

1. Slide the drip pan from the grill to access the disposable grease tray or to clean the drip pan.
2. Scrape the drip pan out with a putty knife or scraper.
3. Replace the disposable grease tray every 2-4 weeks depending on grill usage (if applicable).
4. See your Napoleon Grill dealer for supplies.

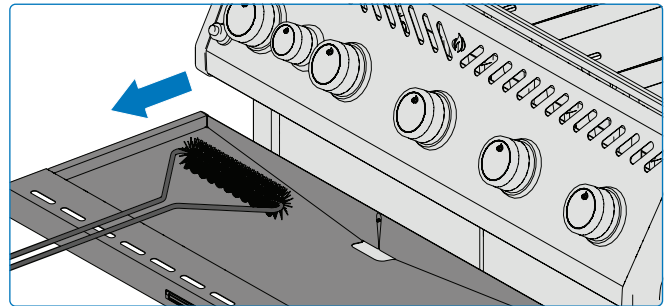


Control Panel

ONLY use warm soapy water.

Text is printed directly on the control panel and will gradually rub off if abrasive or stainless steel cleaners are used.

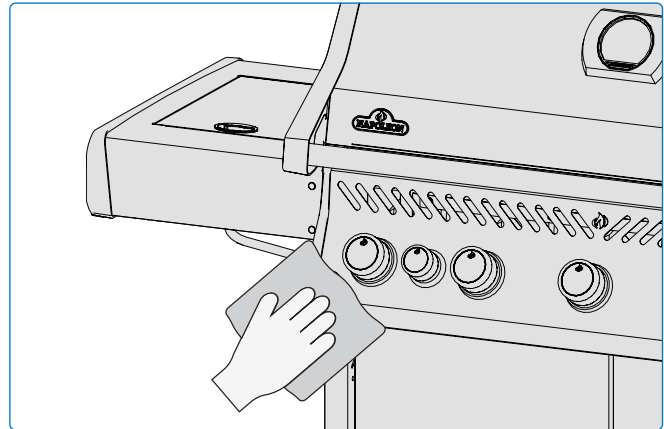
Proper cleaning of the control panel will ensure the text remains dark and legible.



Aluminum Castings

Clean with warm soapy water. Aluminum doesn't rust, but high temperatures and weathering can cause oxidization on the surface of the castings that look like white spots.

See "**Maintenance Instructions**" for more information on how to prevent oxidized aluminum.



Outside Grill Surface

- Only use a non-abrasive cleaner. Abrasive cleaners or steel wool will scratch the finish.
- Always wipe in the direction of the grain.
- Handle porcelain enamel components with care.
- The baked-on enamel finish is glass-like and will chip if struck.
- Stainless steel parts discolor overtime when heated and will turn a golden or brown hue. This is normal and won't affect the performance of the grill.



WARNING!

- Ensure all burners are turned off and grill is cool before cleaning. Do not use oven cleaner to clean any part of the grill.
- Do not put cooking grids or any other parts of the grill in a self-cleaning oven to clean. Clean the grill in an area where cleaning solution won't harm decks, lawns, or patios.
- Barbecue sauce and salt can be corrosive and will cause rapid deterioration of the grill components unless cleaned regularly.

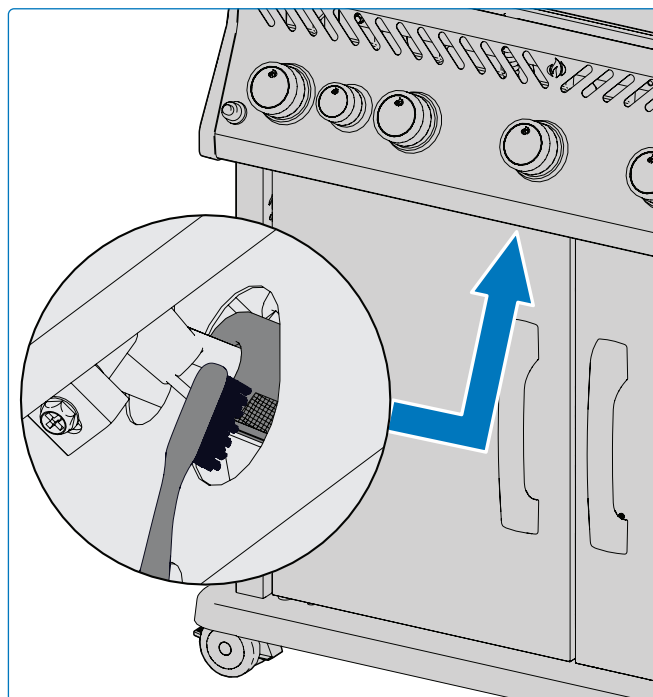
Insect Screen and Burner Ports

Spiders and insects are attracted to small enclosed spaces.

Napoleon has equipped the burner with an insect screen on the air shutter. This reduces the likelihood of insects building nests inside the burner, but doesn't eliminate the problem.

A nest or web can cause the burner flame to burn a soft yellow or orange and cause a fire or flashback at the air shutter underneath the control panel.

1. Remove the screw (s) that attaches the burner to the back wall of the grill. Slide the burner back and upwards to remove.
2. Use a flexible venturi tube brush to clean the inside of the burner.
3. Shake loose debris from the burner through the gas inlet.
4. Check the burner ports and valve orifices for blockages: burner ports can close over time because of cooking debris and corrosion.
5. Use an opened paper clip, or the supplied port maintenance bit to clean burner ports.
6. Drill out blocked ports using the supplied drill bit in a small cordless drill: this can be done with the burner attached to the grill, but it's easier if removed from the grill.
7. Do not flex the drill bit when drilling the ports because the drill bit will break.
8. This drill bit is for burner ports NOT for brass orifices that regulate the gas flow to the burner.
9. Do not enlarge the holes
10. Ensure the insect screen is clean, tight, and free of any lint or other debris.
11. Reverse the procedure to reinstall the burner.
12. Ensure the valve enters the burner when installing.
13. Replace sear plate mount and tighten screws to complete re-installation.



DANGER!

- It is very important the valve/orifice enters the burner tube when reinstalling the burner after cleaning and before lighting your grill, or a fire or explosion could occur.
- Avoid unprotected contact with hot surfaces.
- Do not use abrasive cleaners or steel wool on any painted, porcelain, or stainless steel parts of your grill because it will scratch the finish.



SAFETY FIRST!

Always wear protective gloves and safety glasses when servicing your grill.

Maintenance Instructions

RECOMMENDATIONS

This grill should be thoroughly inspected and serviced annually by a qualified service person.

- Do not obstruct the flow of ventilation and combustion air.
- Keep the cylinder enclosure ventilation openings located on the side of the cart or enclosure and front and back of the bottom shelf clear from debris.

Combustion in Air Adjustment



IMPORTANT! This must be done by a qualified gas installer.

- The air shutter is factory set and should not require adjusting under normal conditions. Adjustments might be required under extreme field conditions.
- The flames of the air shutter will be dark blue, tipped with light blue and occasionally yellow when adjusted correctly.
- Too little air flow to the burner will produce soot and lazy yellow flames.
- Too much air flow to the burner will cause flames to lift erratically and cause igniting difficulties.

Adjusting the Air Shutter

1. Remove cooking grids and sear plates. Leave lid open.
2. You may have to open the cabinet door or remove the top drawer (if equipped) to access the air shutter screw located at the mouth of the burner.
3. Remove the back cover to adjust rear tube burner air shutter.
4. Loosen air shutter lock screw and open or close air shutter as required. **(Fig. 9)**
5. Light the burners on high.
6. Visually inspect burner flames.
7. Turn burners off, tighten locking screws, and replace removed parts when shutters are set correctly.
8. Ensure insect screens are installed.

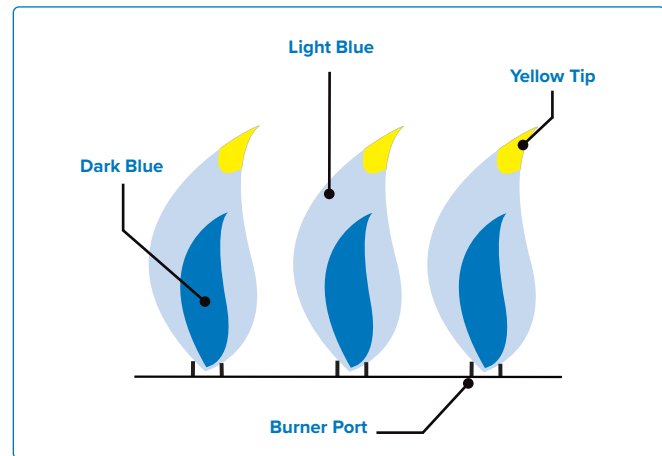


NOTE: Infra-red burners have no air adjustment.



WARNING!

- Keep the grill away from combustible materials, gasoline, and other flammable vapors and liquids.



Air Shutter Settings

Main Tube Burner	Propane	Natural Gas
R425		
R525		
R625		
RP425		
RP525	1/2" (13 mm)	3/8" (10 mm)
RP625		
RPS425		
RPS525		
RPS625		

Fig. 9



WE WANT TO HELP!

Contact the Napoleon customer solutions department for recommended replacement parts
1-866-820-8686.

Stainless in Harsh Environments

Stainless steel oxidizes or stains in the presence of chlorides and sulfides, especially in coastal regions, warm and highly humid areas, and around pools and hot tubs. These stains look like rust, but they can be easily removed or prevented. Wash stainless and chrome surfaces every 3-4 weeks. Clean with warm soapy water.

Burner Maintenance

- Extreme heat and a corrosive environment can cause surface corrosion to occur even though the burner is made from heavy wall 304 stainless steel.

Maintenance and Protection of Infra-red Burners

Your Infra-red burners are designed to provide a long service life, but you must be careful to prevent cracking of their ceramic surfaces. Fractures will cause the burners to malfunction.



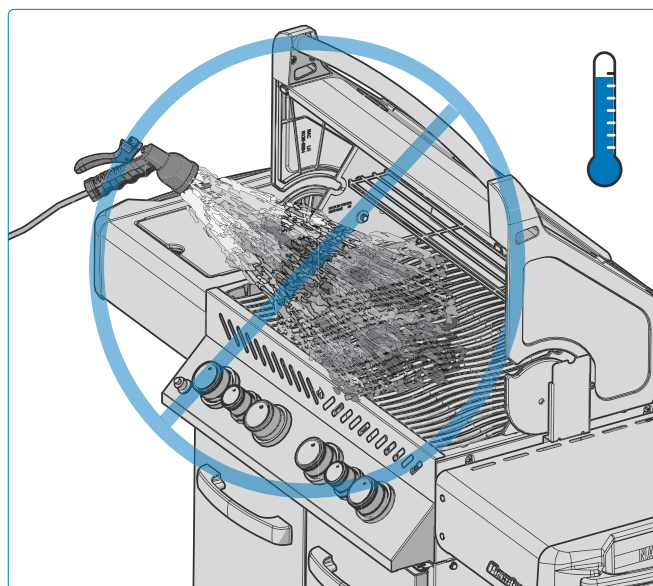
IMPORTANT! Damage resulting from by failure to follow these instructions is NOT covered by your grill warranty.

Clearance Ventilation of hot air

- Hot air must have a way to escape the grill for the burners to function properly.
- The burners can become deprived of oxygen if the hot air is not allowed to escape causing them to back-flash. The ceramic can crack if this occurs repeatedly.

Steps to Avoid Damaging Ceramic Surfaces

1. Never douse a flame or control flare-ups with water.
2. Do not allow cold water (rain, sprinkler, hose etc.) to come in contact with hot ceramic burners. An immediate change in temperature will cause cracking of the ceramic tile.
3. A ceramic burner that becomes wet before use will create steam when operated later and produce pressure that will crack the ceramic.
4. Repeated soaking of the ceramic can cause it to swell and expand producing pressure that will make the ceramic crack and crumble.
5. Inspect the ceramic for possible water soaking if you find standing water in the grill. Remove the burner if the ceramic is wet. Turn it upside down to drain the excess water. Bring ceramic indoors to dry thoroughly.
6. Do not allow hard objects to impact the burner. Take care when inserting or removing cooking grids and using accessories.



DANGER!

- Turn off gas at the source and disconnect the unit before servicing.
- Maintenance should only be done when the grill is cool to avoid the possibility of burns.
- A leak test must be performed annually and when any component of the gas train is replaced, or when the smell of gas is present.



SAFETY FIRST!

Never cover more than 75% of any main or side burner cooking surface with any solid metal (e.g. griddles or pans)

Troubleshooting

Lighting Problems

- Main, rear or side burners will not light with the igniter, but will light with a match.
- Burners will not cross light each other.

	Possible causes	Solution
Main Burner	JETFIRE™ outlet is dirty or clogged.	Clean JETFIRE™ outlet with a soft bristle toothbrush.
	Dirty or corroded cross light brackets.	Clean or replace as required.
Rear and Side Burners	Lifting flames on burner.	Close air shutter according to “Maintenance Instructions”- Combustion Air Adjustment section in this Owner’s Manual. IMPORTANT! This must be done by a qualified gas installer.
	Loose electrode wire or switch terminal wires.	Check electrode wire is firmly pushed onto the terminal on the back of the igniter. Check the lead wires from the module to the ignition switch (if equipped) are firmly pushed onto their respective terminals.
	Dead battery, or installed incorrectly.	Replace with premium heavy-duty battery. (Fig 10 Rogue), (Fig11 Rogue PRO/S).

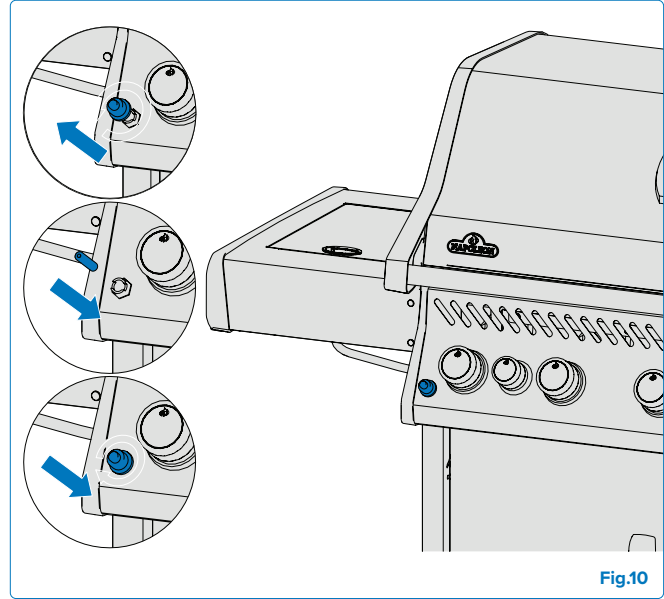


Fig.10

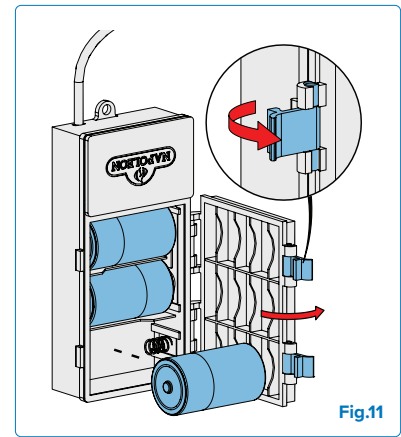


Fig.11



WE WANT TO HELP!

Napoleon is here to ensure your grilling experience is memorable. Contact us if you require additional help.



REGISTER YOUR GRILL!

Go to Napoleon.com or your Assembly Guide for replacement parts instructions.

Noises and Flare-ups

- Humming regulator.
- Excessive flare-ups and uneven heat.

Possible causes	Solution
Normal humming noise on hot days.	This isn't a defect. It's caused by internal vibrations in the regulator and doesn't affect the performance or safety of the grill. Humming regulators WILL NOT be replaced.
The cylinder valve was opened too quickly.	Open cylinder valve slowly.
Sear plates installed incorrectly.	Ensure sear plates are installed with holes towards the front, and the slots on the bottom. See Assembly Instructions Guide.
Improper heating.	Preheat grill with all main burners on high for 10 to 15 minutes.
Excessive grease and ash build-up on sear plates and in drip pan.	Clean sear plates and drip pan regularly. Do not line pan with aluminum foil. Refer to " Cleaning Instructions ".

Gas Flow

- Low heat or low flame when valve is turned to high.
- Burners burn with yellow flame, accompanied by the smell of gas.
- Flames lift away from burner, accompanied by the smell of gas, and possible lighting difficulties.
- Burner output on HIGH, but setting is LOW. Rumbling noise and fluttering blue flame at burner surface.

Possible causes	Solution
Propane – improper lighting procedure.	Ensure lighting procedure is followed carefully. All gas valves must be in the OFF position when the tank valve is turned on. Turn tank on slowly to allow pressure to equalize. See Operation – " Lighting Instructions ".
Natural gas – undersized supply line.	Pipe must be sized according to installation code.
Leaking gasket surrounding the ceramic tile, or a weld failure in the burner housing.	Allow burner to cool and inspect very closely for cracks. Contact your authorized Napoleon dealer to order replacement burner assembly if any cracks are found.
Both gas propane and natural gas – improper preheating.	Preheat grill with both main burners on high for 10 to 15 minutes.
Possible spider web or other debris.	Thoroughly clean nest or webs out of your burner orifice by removing it and following instructions in this manual. See " Leak Test ".
Improper air shutter adjustment.	Open or close air shutter slightly according to this manual. See " Maintenance Instructions ". IMPORTANT! This must be done by a qualified gas installer.
Lack of gas.	Check gas level in propane cylinder.
Supply hose is pinched.	Reposition supply hose as necessary.
Propane regulator in low flow state.	Turn the burners off and close the tank valve, wait 5 minutes before fully re-opening the valve, allow a few seconds for the pressure to equalize before following the Lighting Instructions to start the grill. Ensure igniting procedure is followed carefully every time you cook. All gas valves must be OFF when the tank valve is turned on. Always open the tank valve slowly.

Peeling Paint

- Paint appears to be peeling inside lid or hood.

Possible causes	Solution
Grease build-up on inside surfaces.	This is not a defect. The finish on the lid and hood is porcelain or stainless steel and will not peel. The peeling is caused by hardened grease, which dries into paint-like shards, that flake off. Regular cleaning will prevent this. See " Cleaning instructions ".

Infra-red Burner Flashes Back

- During operation the burner abruptly makes a loud whoosh sound, followed by a continuous blow-torch type sound and grows dim or has a large flame on start up.

Possible causes	Solution
Ceramic tiles overloaded with grease drippings and build-up. Ports are clogged.	Turner burner OFF and allow to cool for at least 2 minutes. Reignite burner and burn on HIGH for at least 5 minutes, or until the ceramic tiles are evenly glowing red.
Burner overheated because inadequate ventilation. Too much grill surface covered by griddle or pan.	Ensure no more than 75% of the grill surface is covered by objects or accessories. Turn burner OFF and allow to cool for at least 2 minutes. Reignite.
Leaking gasket surrounding the ceramic tile, or a weld failure in the burner housing.	Allow burner to cool and inspect very closely for cracks. Contact your authorized Napoleon dealer to order replacement burner assembly if any cracks are found.
Improper heating.	Preheat grill with both main burners on high for 10 to 15 minutes.
Excessive grease and ash build on sear plates and in drip pan.	Clean sear plates and drip pan regularly. Do not line pan with aluminum foil. Refer to " Cleaning Instructions ".

NAPOLEON 15 YEAR WARRANTY

For ROGUE® Models & LEGEND® Models

Napoleon products are designed with superior components and materials and are assembled by trained craftsmen who take great pride in their work. The burner and valve assembly are leak tested and test-fired at a quality test station. This grill has been thoroughly inspected by a qualified technician before packaging and shipping to ensure that you, the customer, receive the quality product you expect from Napoleon.

Thank you for purchasing a Napoleon product. Napoleon (Wolf Steel Ltd, Barrie, ON, Canada) warrants that the components in your new Napoleon product will be free from defects in material and workmanship from the date of purchase, for a period of 15 years.



Hood.....	15 Years
Stainless Steel Lid.....	15 Years
Porcelain Enamel Lid.....	15 Years
Aluminum Castings.....	15 Years
Stainless Steel Cooking Grids.....	15 Years
Stainless Steel Tube Burners.....	15 Years
Stainless Steel Sear Plates.....	15 Years
Porcelain Enamel Cast Iron Grids.....	15 Years
Stainless Steel Infrared Rotisserie.....	15 Years
Infrared Side Burner.....	15 Years
All Other Parts.....	15 Years

WARRANTY CONDITIONS AND LIMITATIONS

This voluntary warranty creates a 15 year warranty period, for products purchased through an authorized Napoleon dealer, and entitles the original purchaser (or gift recipient in the case where a new product is given as a gift) to the specified coverage in respect of any component replaced within the warranty period, either by Napoleon or an authorized Napoleon dealer, to replace a component of such product that has failed in normal private use as a result of a manufacturing defect. This warranty does not cover accessories or bonus items.

For greater certainty, "normal private use" of a product means that the product: has been installed (where applicable) by a licensed, authorized service technician or contractor, in accordance with the installation instructions included with the product and all local and national building and fire codes; has been properly cleaned and maintained according to the instructions; and has not been used as a communal amenity or in a commercial application. In the case of use in communal or commercial applications (where approved), the warranty is reduced to a period of two (2) years.

Similarly, "failure" does not include: damage caused by over-firing, blow outs caused by environmental conditions such as strong winds or inadequate ventilation, scratches, dents, corrosion, deterioration of painted and plated finishes, discoloration caused by heat, abrasive or chemical cleaners or UV exposure, chipping of porcelain enameled parts, or damages caused by misuse,

accident, hail, grease fires, lack of cleaning and maintenance, hostile environments such as salt or chlorine, alterations, abuse, neglect or parts installed from other manufacturers. If you live in a coastal area, or have your product located near a pool or hot tub, maintenance includes regular washing and rinsing of the exterior surfaces as outlined in the accompanying owner's manual, in order to prevent surface corrosion. Should deterioration of parts occur to the degree of non-performance (rusted through or burnt through) within the duration of the warranted coverage, a replacement part will be provided. Parts replaced under this warranty are warranted only for the balance of the above mentioned original fifteen (15) year warranty period.

The replacement component is the sole responsibility of Napoleon defined by this warranty; in no event will Napoleon be responsible for installation, labor or any other costs or expenses related to the re-installation of a warranted part, for any incidental, consequential or indirect damages, or for any handling and transportation charges or export duties.

The use and/or installation of parts on your Napoleon product that are not genuine Napoleon parts will void this warranty, and any damages that result hereby are not covered by this warranty. Any conversion of a gas grill not authorized by Napoleon and performed by a Napoleon authorized service technician will void this warranty.



Notes

Lined area for notes





ROGUE[®]

Manuel du propriétaire

R425, R525, & R625 |
RP425, RP525, & RP625
RPS425, RPS525, & RPS625

Les grilles illustrées dans ce manuel
du propriétaire peuvent différer du
modèle que vous avez acheté.



Nous voulons que vous vous retourniez!

Visitez Napoleon.com pour écrire un commentaire.




Numéro de série

TOUTES NOS FÉLICITATIONS SUR VOTRE GRILL NAPOLEON!

Vous venez de mettre vos talents chef en valeur.



**NOUS VOULONS QUE VOTRE EXPÉRIENCE DE GRILLADE
SOIT MÉMORABLE ET SÉCURITAIRE.**

 Veuillez lire et suivre ce mode d'emploi avant d'utiliser votre gril pour éviter des dommages matériels, blessures corporelles ou décès.

 Retirez tout le matériel d'emballage, les étiquettes promotionnelles et les cartes du gril avant de l'utiliser.

UTILISER A PLEIN AIR DANS UN ESPACE BIEN VENTILÉ.

SI VOUS DÉTECTEZ UNE ODEUR DE GAZ:

- Coupez l'admission de gaz de l'appareil.
- Eteindre toute flamme nue.
- Ouvrir le couvercle.
- Si l'odeur persiste, éloignez-vous de l'appareil et appelez immédiatement le fournisseur de gaz ou votre service d'incendie.



N'essayez pas d'allumer cet appareil sans lire les instructions de la section Allumer Votre Gril de ce manuel.

Ne pas entreposer ni utiliser l'essence ou d'autres liquides inflammables ou des vapeurs à proximité de cet appareil ou de tout autre appareil.

Une bouteille de propane non raccordée ne doit pas être entreposée à proximité de cet appareil ou de tout autre appareil.

Si l'information contenue dans ces instructions n'est pas respectée exactement, un incendie ou une explosion peut en résulter et causer des dommages matériels, blessures corporelles ou décès.



Sensibiliser les adultes et les enfants aux dangers des températures de surface élevées. Surveillez les jeunes enfants près du gril.

AVIS À L'INSTALLATEUR : Laissez ces instructions au propriétaire du gril pour référence ultérieure.

AVIS AU CONSOMMATEUR : Conservez ces instructions pour référence ultérieure.

Bienvenue à Napoleon !

La sécurité d'abord

AVERTISSEMENT ! Informations Générales

Ce barbecue à gaz doit être installé conformément aux codes locaux. En l'absence de codes locaux, installez-le selon le Code d'installation actuel pour le gaz naturel et le propane CSA B149.1 au Canada ou le Code national du gaz combustible ANSI Z223.1/NFPA 54 aux États-Unis.

Si un moteur de rôtissoire est utilisé, il doit être mis à la terre électriquement en conformément aux codes locaux. En l'absence de codes locaux, suivez les directives du CSA C22.1 Code canadien de l'électricité en vigueur au Canada, ou le Code national de l'électricité. Code électrique ANSI/NFPA 70 aux États-Unis.

AVERTISSEMENT ! Installation & Montage

Assemblez ce gril à gaz exactement comme indiqué dans ce manuel. Si le gril a été assemblé en magasin, passez en revue les instructions d'assemblage pour s'assurer qu'il est correctement assemblé.

Ne pas installer dans ou sur les véhicules de loisirs et / ou les bateaux. Effectuer le test d'étanchéité requis avant l'utilisation du gril. Ne modifiez en aucun cas ce gril à gaz. Ne pas utiliser une bouteille qui n'est pas équipée d'un raccord de type QCC1. Vous devez utiliser le régulateur de pression et le tuyau flexible fournis avec l'appareil ou les remplacements spécifiés par le fabricant.

AVERTISSEMENT ! Fonctionnement

Lisez ce manuel en entier avant d'utiliser ce gril à gaz.

Test d'étanchéité de ce gril à gaz avant l'utilisation, annuellement et lors du remplacement de tout composant au gaz. Suivez attentivement les instructions d'allumage.

AVERTISSEMENT ! Entreposage et désuétude

Coupez le gaz à la bouteille de propane ou au robinet d'alimentation en gaz naturel. Débranchez le tuyau entre la bouteille de propane et le gril à gaz. Retirez la bouteille de propane et rangez-la à l'extérieur dans un endroit bien aéré, loin des enfants.

NE PAS entreposer les bouteilles de propane dans un bâtiment, un garage, une remise ou tout autre espace clos. Débranchez le raccord au gaz naturel de l'alimentation lorsque vous entreposez le gril à gaz à l'intérieur.

AVERTISSEMENT ! Proposition 65 (Californie)

Ce produit peut vous exposer à certaines substances chimiques, dont la suie, reconnus par l'État de Californie comme pouvant causer des cancers, ainsi que le monoxyde de carbone, reconnus par l'État de Californie comme pouvant causer des anomalies congénitales ou d'autres problèmes de reproduction. Pour plus d'informations, rendez-vous sur www.P65Warnings.ca.gov (site en anglais).

CONTENU

Bienvenue à Napoleon !	29
La sécurité d'abord	
Caractéristiques complètes	30
Pour commencer	31
Autres pratiques d'exploitation sécuritaires	
Localisation de votre gril	
Connexions au gaz	
Test de fuite	
Utilisation	36
Allumage de votre grill	
Instructions pour griller	
Comment utiliser le brûleur arrière et la rôtisserie	
Liste de contrôle de l'expérience de grillade	
Référez-vous à cette liste chaque fois que vous faites griller	
Comment assaisonner les grilles de cuisson en fonte	
Guides de grillades infrarouges	42
Instructions de nettoyage	43
Instructions de maintenance	46
Combustion dans l'air réglage	
Inoxydable dans des environnements difficiles	
Résolution des problèmes	48
Warranty	51

Caractéristiques complètes

ACCU-PROBE™ Jauge de température pour lire facilement la température et obtenir des résultats parfaits.

Brûleur arrière infrarouge pour rôtissoire pour savourer des repas succulents à la rôtissoire

Grande grille de maintien au chaud en acier inoxydable pour augmenter la surface de cuisson.

Brûleur latéral infrarouge **SIZZLE ZONE™** pour des steaks parfaitement grillés

Ouvre-bouteille intégré à proximité de la zone de cuisson.

Boutons de contrôle rétroéclairés pour des soirées de divertissement tardives.

Brûleurs en acier inoxydable de forte épaisseur pour une qualité durable.

Allumage instantané **JETFIRE™** pour un démarrage rapide et facile.

Anneau de réservoir de propane pour un rangement stable du réservoir.

Grilles de cuisson Iconic **WAVE™** (fonte) en acier inoxydable pour des marques de saisie distinctives et une cuisson uniforme.

Plaques de saisie en acier inoxydable à deux niveaux pour un chauffage uniforme et constant, et une vaporisation des jus pour des aliments plus savoureux.

Tablette latérale pliante en acier inoxydable avec crochet à outils intégrés.

Panier à condiments pour garder vos sauces et épices préférées à portée de main.

Roues verrouillables faciles pour verrouiller le gril en toute sécurité.

Plaque d'égouttement facile d'accès pour un entretien efficace.



Les grils illustrés dans ce manuel du propriétaire peuvent différer du modèle que vous avez acheté.
Modèle présenté : ROGUE RPSE625

Pour commencer



DANGER ! Signale un danger pouvant entraîner un incendie, une explosion, la mort ou des blessures graves.



AVERTISSEMENT ! Signale un danger pouvant entraîner des blessures légères ou des dommages matériels.



Portez des gants de protection.



Portez des lunettes de sécurité.



ATTENTION ! Surface chaude.



Renseignements importants.



Ne fumez pas lorsque vous effectuez un test d'étanchéité au gaz. Des étincelles ou des flammes peuvent causer un incendie, une explosion, des dommages matériels, des blessures graves ou la mort.



Ne jamais utiliser une flamme pour vérifier les fuites de gaz. Des étincelles ou des flammes peuvent causer un incendie, une explosion, des dommages matériels, des blessures corporelles graves, ou la mort.



Couper immédiatement l'alimentation en gaz et débrancher l'appareil.

Autres pratiques d'exploitation sécuritaires

- Ne pas acheminer le tuyau sous la plaque d'égouttement. Maintenez une distance adéquate entre le tuyau et le bas de l'appareil.
- Assurez-vous que les plaques de saisie sont correctement positionnées conformément aux instructions d'installation des plaques de saisie.
- Les commandes des brûleurs doivent être éteintes lors de l'ouverture de la vanne du cylindre de gaz.
- Ne pas allumer les brûleurs avec le couvercle fermé.
- Ne pas utiliser le(s) brûleur(s) arrière avec les brûleurs principaux.
- Ne pas fermer le couvercle du brûleur latéral lorsqu'il est en marche ou chaud.
- Ne pas faire de friture sur le brûleur latéral.
- Ne pas ajuster les grilles de cuisson lorsqu'elles sont en marche ou chaudes.
- Ne pas déplacer l'appareil pendant son utilisation.
- Fermez l'alimentation en gaz à la source après utilisation.
- Ne pas modifier l'appareil.
- L'entretien ne doit être effectué que lorsque le grill est froid.
- Ne pas stocker d'allumettes, briquets ou tout autre produit combustible à l'intérieur de l'enceinte ou du plateau à condiments.
- Gardez tous les câbles d'alimentation électrique et les tuyaux d'alimentation en carburant à l'écart de toutes les surfaces chauffées.
- Nettoyez régulièrement le plateau à graisse, la plaque d'égouttement et les plaques de saisie pour éviter l'accumulation et les incendies de graisse.
- Gardez les tubes Venturi du brûleur infrarouge et du brûleur principal exempts de toiles d'araignée et d'autres obstructions en les inspectant et en les nettoyant régulièrement.
- Ne laissez pas l'eau froide (pluie, arroseur, tuyau, etc.) entrer en contact avec le grill chauffé. Un changement de température immédiat écaillera la porcelaine et fissurera les brûleurs en céramique.
- Ne pas utiliser de nettoyeur haute pression pour nettoyer une partie quelconque du grill.
- Ne pas placer ce grill dans un endroit exposé à des vents forts, en particulier lorsque le vent peut venir directement de l'arrière du grill.
- Ne pas utiliser l'appareil sous une construction combustible.
- Ne couvrez jamais plus de 75 % de la surface de cuisson.
- Cet appareil doit être maintenu à l'écart des matériaux inflammables pendant son utilisation.
- Maintenez toujours une distance adéquate par rapport aux matériaux combustibles : 26" (660,4 mm) à l'arrière de l'appareil, 10" (254 mm) sur les côtés
- Un dégagement supplémentaire de 24" (610 mm) est recommandé à proximité de revêtements en vinyle ou de vitres.
- La température ambiante minimale de fonctionnement pour une utilisation sûre de l'appareil est de 0 °F (-17,8 °C).



AVERTISSEMENT !

- La connexion et l'installation du gaz et du tuyau doivent être effectuées par un installateur de gaz agréé et testées pour détecter les fuites avant d'utiliser le grill.
- Assurez-vous que les tuyaux ne touchent aucune surface à haute température du grill.
- Les parties accessibles peuvent être très chaudes. Tenez les jeunes enfants à l'écart.

Localisation de votre gril

Il est important, lors du choix d'un emplacement pour votre gril à gaz, de respecter les distances de dégagement par rapport aux matériaux combustibles adjacents. Cet appareil est destiné à être installé sur une terrasse extérieure ou dans votre jardin.

- Cet appareil ne doit être utilisé que dans une situation en plein air au-dessus du sol avec une ventilation naturelle, sans zones stagnantes, où les fuites de gaz et les produits de combustion sont rapidement dispersés par le vent et la convection naturelle.
- Ne pas utiliser dans un bâtiment, un garage ou toute autre zone fermée.
- Ne pas intégrer l'appareil dans une construction encastrée ou coulissante.
- Ne pas obstruer les ouvertures de ventilation du compartiment du cylindre.

Toute enceinte dans laquelle l'appareil est utilisé doit se conformer à l'une des conditions suivantes:

- Un appareil est considéré comme étant en plein air s'il est installé avec un abri comportant des murs sur trois côtés, mais sans couverture au-dessus. **(Fig 1)**
 - Toutes les ouvertures doivent être en permanence ouvertes.
 - Les portes coulissantes, les portes de garage, les fenêtres ou les ouvertures avec moustiquaires **ne sont pas considérées** comme des ouvertures permanentes
- Un appareil est considéré comme étant en plein air s'il est installé avec un abri comprenant une couverture au-dessus et pas plus de deux murs latéraux.
 - Les murs latéraux peuvent être parallèles, comme dans un passage couvert, ou perpendiculaires les uns aux autres. **(Fig 2 & Fig 3)**
 - Toutes les ouvertures doivent être en permanence ouvertes.
 - Les portes coulissantes, les portes de garage, les fenêtres ou les ouvertures avec moustiquaires **ne sont pas considérées** comme des ouvertures permanentes.
- Un appareil est considéré comme étant en plein air s'il est installé avec un abri comprenant une couverture au-dessus et trois murs latéraux, à condition que 30 % ou plus de la périphérie horizontale de l'enceinte soit en permanence ouverte. **(Fig 4 & Fig 5)**
 - Toutes les ouvertures doivent être en permanence ouvertes.
 - Les portes coulissantes, les portes de garage, les fenêtres ou les ouvertures avec moustiquaires **ne sont pas considérées** comme des ouvertures permanentes.

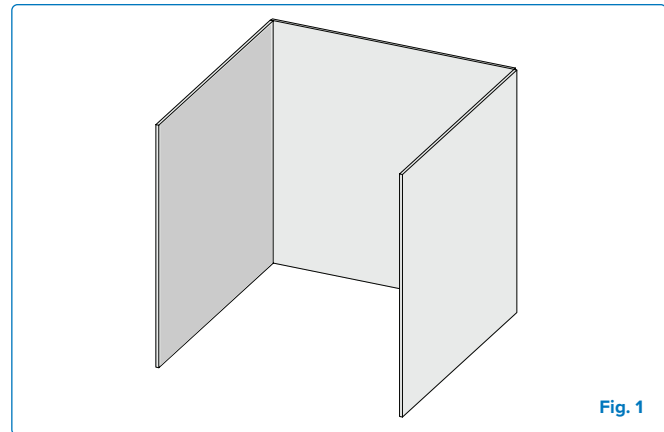


Fig. 1

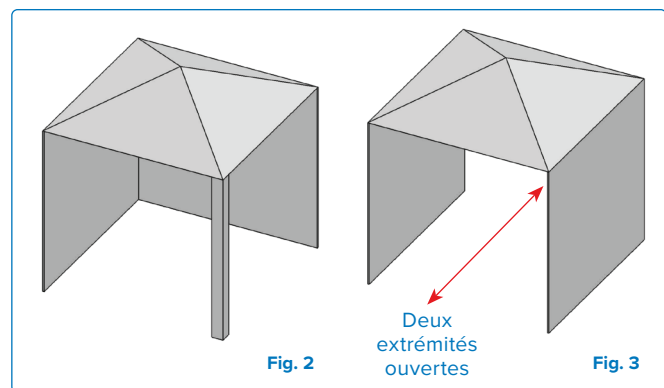


Fig. 2

Fig. 3

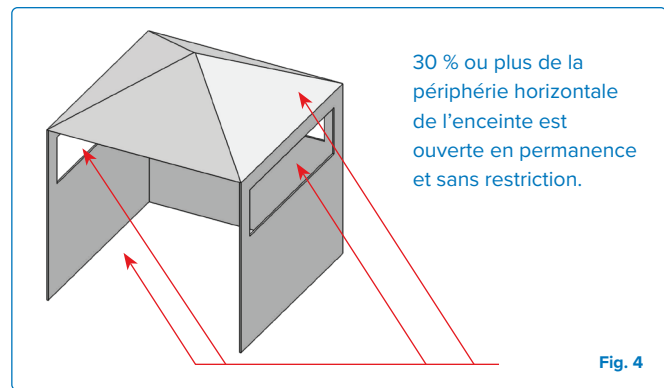


Fig. 4

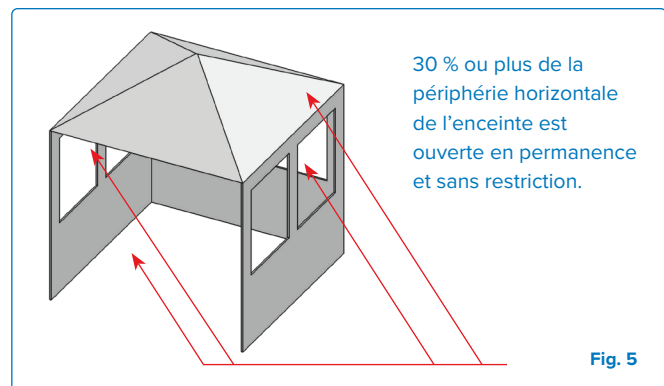


Fig. 5

Connexions au gaz

À un cylindre de propane : Option 1

Utilisez uniquement un cylindre de propane de 20 lb (9,1 kg) construit et marqué conformément aux spécifications pour les cylindres de gaz de pétrole liquéfié du Département américain des Transports (D.O.T.) ou à la norme pour les cylindres, sphères et tubes pour le transport des marchandises dangereuses et la Commission, CAN/CSA-B339, selon le cas.

Utilisez uniquement un régulateur de pression de gaz spécifié par Napoleon. Le régulateur doit fournir une pression de 11 pouces de colonne d'eau (0,39 psi) et avoir un raccord de type QCC1.

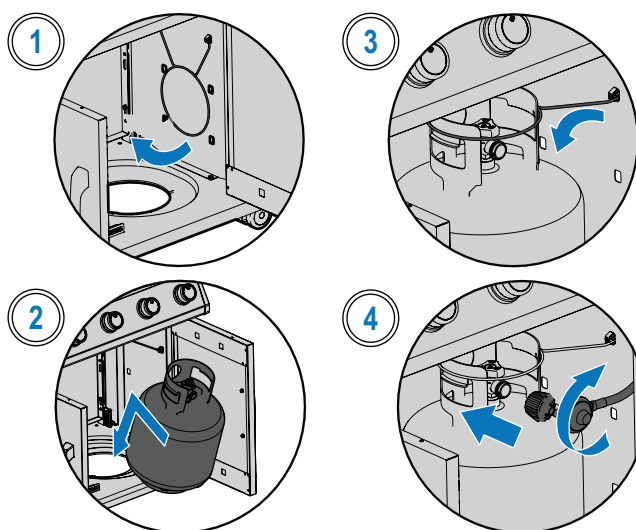
Le dispositif de connexion du cylindre doit être compatible avec la connexion de cet appareil extérieur.

Le cylindre de propane doit avoir :

- Une vanne d'arrêt avec une connexion QCC1
- Un dispositif de décharge de sécurité
- Un collier pour protéger la vanne
- Un dispositif de protection contre le trop-plein répertorié

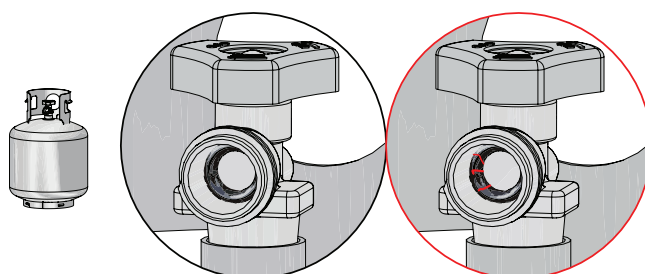
Raccordement et installation

- Vérifiez que le cylindre ne présente pas de bosses ou de rouille, et faites-le inspecter par votre fournisseur de propane.
- N'utilisez jamais un cylindre avec une vanne endommagée.
- Placez le cylindre dans sa zone désignée sur l'étagère inférieure.
- Assurez-vous que le tuyau du régulateur de gaz n'a pas de plis.
- Retirez le bouchon ou le capuchon de la valve de carburant du cylindre.
- Insérer le mamelon noir du régulateur QCC1 sur le robinet de carburant QCC1. Serrer à la main dans le sens des aiguilles d'une montre. Ne pas utiliser d'outils.
- Assurez-vous que le tuyau n'entre pas en contact avec la plaque d'égouttement ou toute surface à haute température du gril car il fondrait et provoquerait un incendie.
- Testez l'étanchéité de toutes les connexions avant d'utiliser le gril. Voir « **Test de fuite** ».
- Le cylindre doit être monté de manière à ce que la sortie de la valve de décharge de pression ne soit pas orientée vers la position normale d'utilisation de l'utilisateur.



NOTE: Inspectez le joint du robinet de la bouteille de gaz de pétrole liquéfié pour vérifier qu'il n'est pas fissuré, usé ou détérioré chaque fois que la bouteille est remplacée ou rechargée.

Toute bouteille de gaz de pétrole liquéfié présentant des signes de dommages ou de détérioration, y compris des fissures et des piqûres visibles, doit être renvoyée au vendeur sans avoir été utilisée.



AVERTISSEMENT !

- Ne stockez pas de bouteille de gaz de recharge sous la tête du gril ou les brûleurs latéraux
- Respectez scrupuleusement toutes les spécifications et instructions afin d'éviter tout risque d'incendie, d'explosion, de dommages matériels, de blessures corporelles ou de décès.
- N'utilisez jamais une bouteille de gaz remplie à plus de 80 %.
- Débranchez le gril et son robinet d'arrêt individuel de la tuyauterie d'alimentation en gaz lors de tout test de pression supérieur à ½ psi (3,5 kPa).

Une conduite de gaz domestique : Option 2

- Un tuyau d'alimentation en gaz et un raccord rapide conçus pour le gaz naturel et certifiés pour une utilisation en extérieur sont fournis avec les grills au gaz naturel. avec les grills au gaz naturel. Ce tuyau d'alimentation peut également être utilisé pour les installations de propane en vrac.
- La tuyauterie de gaz naturel doit fournir une pression de 7 pouces de colonne d'eau à l'entrée du grill. La tuyauterie de gaz propane en vrac doit fournir une pression de 11 pouces de colonne d'eau à l'entrée du grill.
- Les tuyaux et les vannes en amont de la déconnexion rapide ne sont pas fournis.
- Le tuyau de gaz doit être dimensionné pour fournir les BTU/h spécifiés sur la plaque signalétique, en fonction de la longueur de la conduite de tuyauterie.
- Voir **“AVERTISSEMENT ! Informations générales”** de ce manuel pour les codes d'installation.
 1. Le raccordement à une ligne d'alimentation en gaz doit être effectué par un monteur de gaz agréé et testé pour les fuites avant de faire fonctionner le grill.
 2. Ne pas faire passer le tuyau à proximité immédiate du bac de récupération ou par-dessus le panneau arrière.
 3. Assurez-vous que le tuyau ne touche pas de surfaces à haute température.

Déconnexion rapide

- Ne pas installer la déconnexion rapide dans une direction ascendante.
- Une vanne d'arrêt manuelle facilement accessible doit être installée en amont de la déconnexion rapide, et aussi près que possible de celle-ci.
- Connectez l'extrémité évasée du tuyau au raccord situé à l'extrémité du tube de collecteur ou du tube flexible (si applicable).
- Serrez à l'aide de deux clés. Ne pas utiliser de scellant pour filetage ou de dope pour tuyau.
- Testez toutes les joints pour les fuites avant de faire fonctionner le grill à gaz. Voir **“Test de fuite”**.



AVERTISSEMENT !

- Fermez le robinet d'arrêt individuel pour isoler le grill du système de tuyauterie d'alimentation en gaz pendant tout test de pression égal ou inférieur à ½ Psi (3,5 kPa).
- Vérifiez que le tuyau ne présente pas de signes d'abrasion excessive, de fonte, de coupures ou de fissures. Si le tuyau est endommagé, il doit être remplacé par un ensemble spécifiquement recommandé par Napoléon.



FAITES ATTENTION !

Le couvercle du grill et l'ensemble du foyer peuvent devenir très chauds en cours d'utilisation.

Test de fuite

Pourquoi et quand faire un test de fuite ?

Un test de fuite confirme qu'aucun gaz ne s'échappe après avoir connecté le tuyau à l'alimentation en gaz.

Chaque fois que le réservoir est rempli et réinstallé, assurez-vous qu'il n'y a pas de fuites au niveau du raccord où le régulateur se connecte au réservoir.

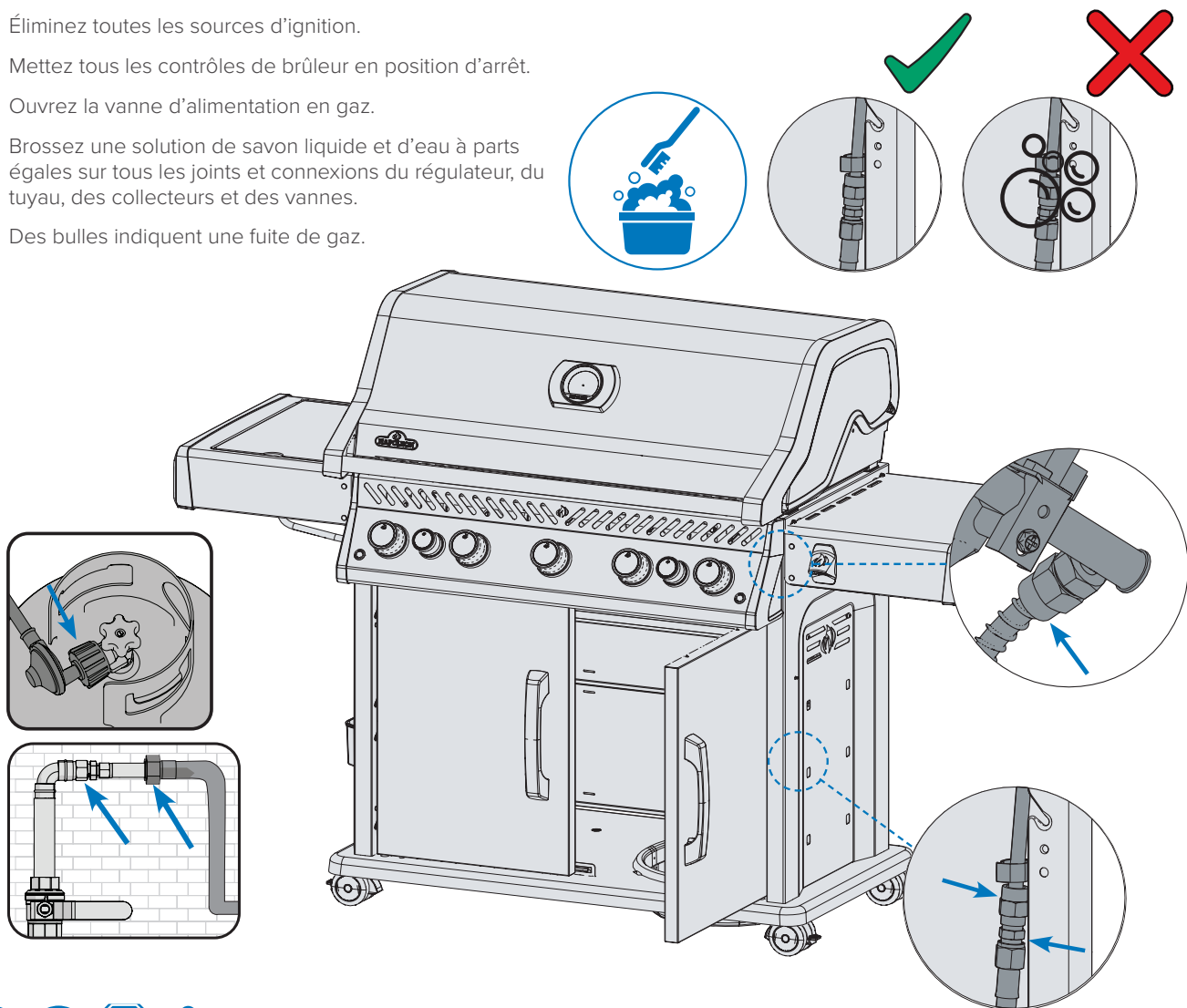
Effectuez un test de fuite sur ce grill avant utilisation, annuellement, et lorsque des composants de gaz sont remplacés.

Étapes du test de fuite

1. Ne pas fumer pendant l'exécution du test.
2. Éliminez toutes les sources d'ignition.
3. Mettez tous les contrôles de brûleur en position d'arrêt.
4. Ouvrez la vanne d'alimentation en gaz.
5. Brossez une solution de savon liquide et d'eau à parts égales sur tous les joints et connexions du régulateur, du tuyau, des collecteurs et des vannes.
6. Des bulles indiquent une fuite de gaz.

Si vous trouvez une fuite

1. Serrez tous les joints lâches.
2. Si la fuite ne peut pas être arrêtée, fermez immédiatement l'alimentation en gaz et déconnectez le grill.
3. Faites inspecter le grill par un installateur certifié ou un revendeur.
4. N'utilisez pas le grill jusqu'à ce que la fuite ait été réparée.



DANGER !

- N'utilisez jamais de flamme nue pour vérifier s'il y a des fuites de gaz. Les étincelles ou les flammes peuvent provoquer un incendie, une explosion, des dommages matériels, des blessures physiques graves, voire la mort.
- N'utilisez que le régulateur de pression et le tuyau de pression et le tuyau fournis avec le grill, ou un ensemble conformes aux normes locales.

Utilisation

Allumage de votre grill

Est-ce la toute première fois ? Effectuez un Burn-off

Retirez la grille de réchauffement et faites fonctionner les brûleurs principaux à haute température pendant 30 minutes. Il est normal que le grill dégage une odeur la première fois qu'il est allumé. Cette odeur est causée par le "burn-off" des peintures et lubrifiants internes utilisés dans le processus de fabrication et ne se reproduira pas.

AVERTISSEMENT !

- Ne pas faire fonctionner le brûleur arrière ou latéral pendant l'exécution d'un Burn-Off.

Allumage du brûleur principal

1. Ouvrez le couvercle du grill.
2. Poussez et tournez lentement n'importe quel bouton de brûleur principal dans le sens inverse des aiguilles d'une montre jusqu'à la position HAUTE jusqu'à ce que le pilote s'allume. Continuez à appuyer sur le bouton de contrôle jusqu'à ce que le brûleur s'allume, puis relâchez.
3. Si le pilote ne s'allume pas - tournez immédiatement le bouton de contrôle dans le sens des aiguilles d'une montre jusqu'à la position OFF. Répétez l'étape 2.
4. Si le pilote et le brûleur ne s'allument pas en 5 secondes - tournez le bouton de contrôle dans le sens des aiguilles d'une montre jusqu'à la position OFF. Attendez 5 minutes pour que le gaz se dissipe. Répétez les étapes 2 et 3, ou allumez avec une allumette. (Fig. 6).

AVERTISSEMENT !

- Do not use the rear burner while operating the main burner.

Allumage du brûleur arrière (si équipé)

1. Ouvrez le couvercle du grill.
2. Retirez la grille de réchauffement.
3. Poussez et tournez lentement le bouton du brûleur arrière dans le sens inverse des aiguilles d'une montre jusqu'à la position HAUTE.
4. Appuyez et maintenez le bouton d'allumage jusqu'à ce que le brûleur s'allume, ou allumez avec une allumette.
5. Si le brûleur ne s'allume pas - tournez le bouton de contrôle du brûleur dans le sens des aiguilles d'une montre jusqu'à la position OFF. Attendez 5 minutes. Répétez l'étape 3 et 4. (Fig. 6).

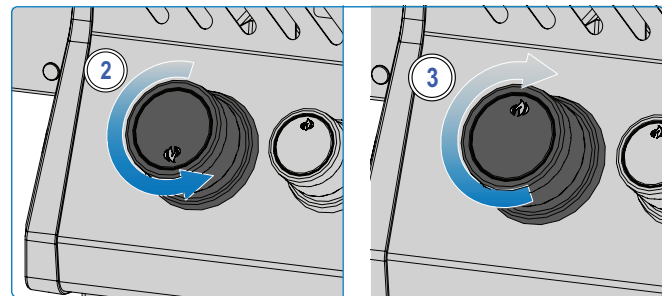
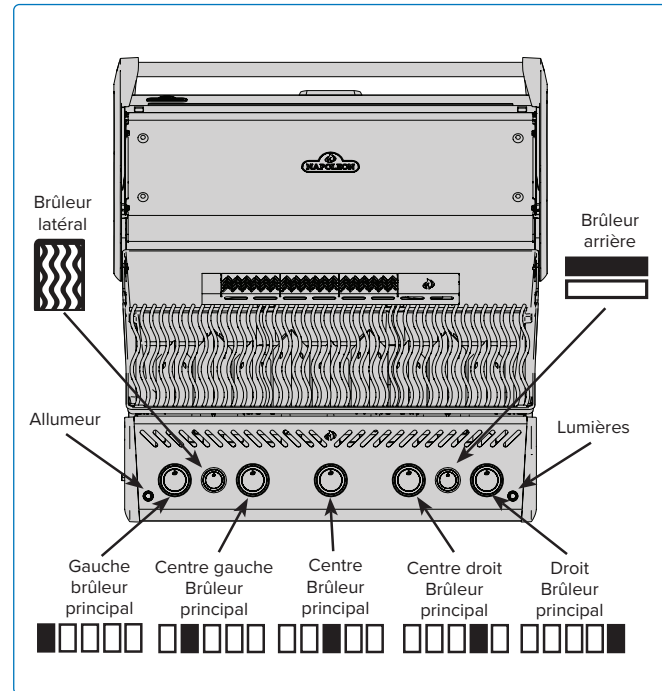


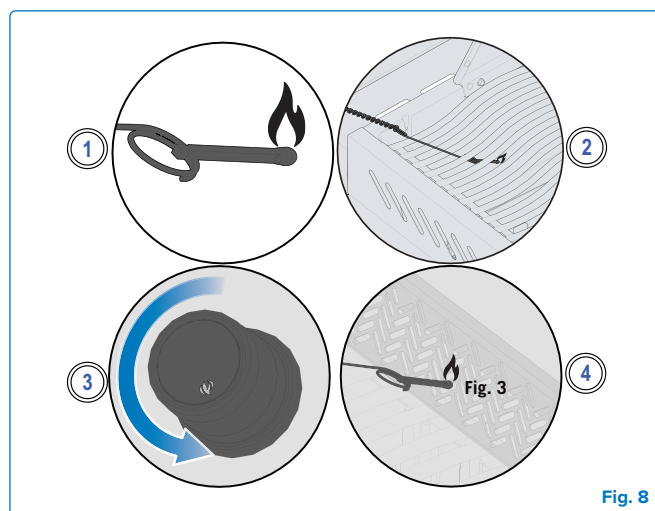
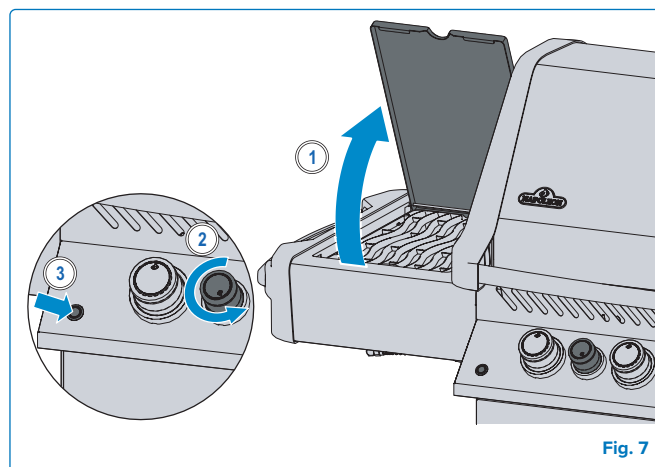
Fig. 6

Allumage du brûleur latéral (si équipé)

1. Ouvrez le couvercle du brûleur.
2. Poussez et tournez lentement le bouton du brûleur latéral dans le sens inverse des aiguilles d'une montre jusqu'à la position HAUTE.
3. Appuyez et maintenez le bouton d'allumage jusqu'à ce que le brûleur s'allume, ou allumez avec une allumette.
4. Si le brûleur ne s'allume pas - tournez le bouton de contrôle du brûleur dans le sens des aiguilles d'une montre jusqu'à la position OFF. Attendez 5 minutes. Répétez l'étape 2 et 3. **(Fig. 7).**

Allumage avec une allumette

1. Clipsez l'allumette dans la tige d'allumage fournie.
2. Insérez l'allumette allumée à travers les grilles de cuisson et les plaques de saisie tout en tournant le bouton du brûleur correspondant à haute. **(Fig. 8).**



AVERTISSEMENT !

- Assurez-vous que toutes les commandes des brûleurs sont en position d'arrêt avant d'ouvrir lentement le robinet d'alimentation en gaz.
- Suivez attentivement les instructions d'allumage.
- Assurez-vous que le couvercle du gril est OUVERT pendant l'allumage.
- Ne réglez pas les grilles de cuisson lorsque le gril est chaud ou en fonctionnement.
- Nettoyez régulièrement la graisse de l'ensemble de l'appareil, y compris le bac à graisse et les plaques de cuisson, afin d'éviter les accumulations et les incendies de graisse..



Instructions pour griller

Utilisation du brûleur principal

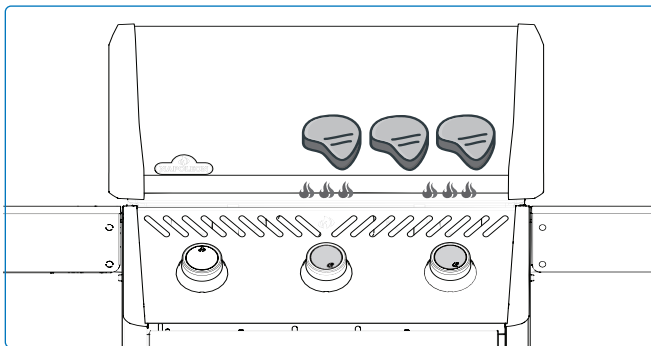
- Préchauffez le grill avant de saisir les aliments en faisant fonctionner tous les brûleurs principaux à haute température avec le couvercle fermé pendant environ 10 minutes.
- Les aliments cuits pendant une courte période, comme le poisson et les légumes, peuvent être grillés avec le couvercle ouvert.
- Griller avec le couvercle fermé assure des températures plus élevées et constantes qui cuisent la viande de manière plus uniforme et peuvent réduire les temps de cuisson.
- Les grilles de cuisson peuvent être huilées avant le préchauffage pour réduire l'adhérence lors de la cuisson de viandes maigres comme le poulet ou le porc.
- Les aliments qui prennent plus de 30 minutes à cuire, comme les rôtis, peuvent être cuits indirectement avec le brûleur allumé à l'opposé de la nourriture. Voir
- Enlevez l'excès de graisse de la viande pour éviter les flambées, ou réduisez la température du grill.
- En cas de flambées - éloignez les aliments des flammes et réduisez la chaleur. Laissez le couvercle ouvert.

Grillage direct

Cette méthode est souvent utilisée pour saisir, ou pour des aliments cuits pendant une courte période comme les hamburgers, les steaks, le poulet, ou les légumes.

Placez les aliments sur les grilles de cuisson directement au-dessus de la chaleur.

Saisissez d'abord la viande pour emprisonner les jus et la saveur. Baissez la température du grill pour terminer la cuisson à votre préférence.



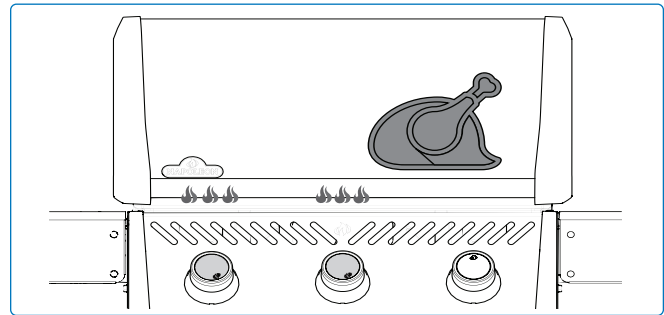
! DANGER !

- Ne grillez jamais d'aliments directement sur le brûleur côté flamme. Il est conçu pour être utilisé avec des casseroles et des poêles uniquement.
- Ne fermez pas le couvercle du brûleur latéral lorsqu'il est en fonctionnement ou chaud.
- Ne laissez pas d'aliments sans surveillance sur les brûleurs allumés.
- Ne faites pas frire d'aliments sur le brûleur latéral. La cuisson à l'huile peut être dangereuse.
- Nettoyez régulièrement la graisse de l'ensemble de l'appareil, y compris le bac à graisse et les plaques de cuisson, afin d'éviter les accumulations et les incendies de graisse.

Cuisson indirecte

Cette méthode utilise des températures plus basses et fait circuler la chaleur autour de la nourriture, la cuisant lentement et uniformément. Utilisez cette méthode pour cuire des morceaux de viande plus gros, ou des aliments sujets aux flambées, comme le rôti, le poulet ou la dinde.

Allumez un ou plusieurs brûleurs et placez les aliments sur la grille de cuisson où il n'y a pas de flamme, ou de brûleur allumé. La cuisson à une température plus basse et un temps de cuisson plus lent donne des viandes plus tendres.



Brûleur latéral à flamme (si équipé)

Le brûleur latéral à flamme peut être utilisé comme une cuisinière pour faire des sauces ou des soupes. Le diamètre maximum de la casserole ou de la poêle est de 10" (25 cm). Assurez-vous que votre grill est dans un endroit protégé du vent, sinon les performances du brûleur latéral seront affectées.

Brûleur latéral infrarouge (si équipé)

Pour l'utiliser, suivez les instructions "Allumage du brûleur latéral". La chaleur infrarouge offre une zone de cuisson uniforme pour saisir les aliments lorsqu'elle est réglée à haute température. Certains modèles de brûleurs latéraux ont une grille de cuisson réglable en hauteur.

Cuisson au grill la nuit (si applicable)

- Éclairez les boutons de contrôle en appuyant sur l'icône de l'ampoule sur le panneau de contrôle.
- Les modèles Rogue PRO disposent de boutons de contrôle rétroéclairés en blanc.
- Les modèles Rogue PRO-S sont équipés d'un système d'éclairage qui répond à la position du bouton de contrôle. Lorsqu'un brûleur fonctionne, le bouton de contrôle correspondant s'illumine en rouge, tandis que les autres restent bleus.



GRILLAGE CONSEIL !

Ajoutez un accessoire Napoloen smocker à votre grill pour parfumer votre viande.



GRILLAGE CONSEIL !

Utilisez un thermomètre pour vérifier la température interne de la viande afin de vous assurer qu'elle est parfaitement cuite.

Comment utiliser le brûleur arrière et la rôtisserie

Assemblage de votre kit de rôtisserie (si équipé)

Note: Retirez la grille de réchauffement avant d'utiliser le brûleur arrière et la broche. Une chaleur extrême endommagera la grille de réchauffement.

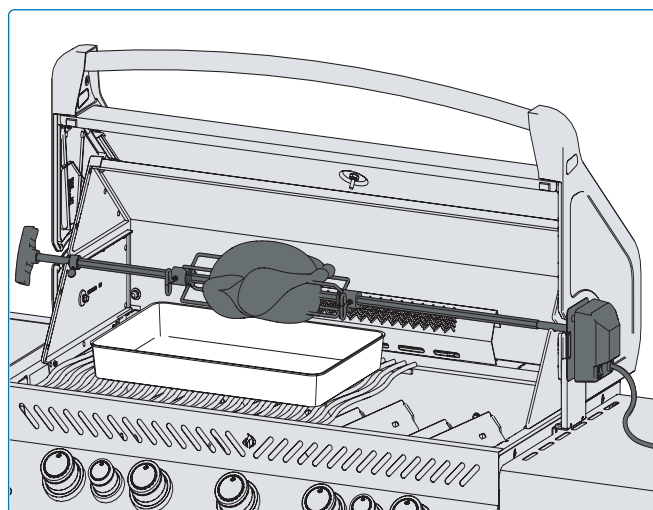
1. Installez le moteur de la rôtisserie sur le côté du grill à l'aide du ou des supports de montage. Certains modèles ont des supports pré-montés.
2. Une fois que le support a été fixé au grill, glissez le moteur de la rôtisserie sur le support.
3. Glissez la première fourche de la rôtisserie juste après le milieu de la broche et serrez-la en place. Enfilez la viande sur la broche et poussez la viande dans la fourche. Glissez la deuxième fourche de la rôtisserie à l'extrémité opposée de la broche et poussez la fourche dans la viande jusqu'à ce qu'elle soit sécurisée. Serrez la fourche en place.
4. Insérez soigneusement l'extrémité pointue de la broche dans le moteur de la rôtisserie et placez l'extrémité opposée sur les supports. Le côté lourd de la viande pendra naturellement pour équilibrer la charge.
5. Glissez la bague d'arrêt sur la broche jusqu'à ce qu'elle dépasse l'intérieur du capot. Cela sécurisera le mouvement de la broche de gauche à droite.
6. Serrez la bague d'arrêt et la poignée de la broche. Placez un plat métallique sous la viande pour recueillir les gouttes.



IMPORTANT ! Portez toujours des gants lorsque vous manipulez des éléments du grill.

Conseils pour utiliser la rôtisserie :

- Faites fonctionner le brûleur arrière à haute température jusqu'à ce que la viande brunisse. Réduisez la chaleur. Gardez le couvercle fermé.
- Utilisez un thermomètre pour vérifier la température interne de la viande.
- Les rôtis et la volaille devraient brunir à l'extérieur et rester tendres à l'intérieur.
- Utilisez les sucs de cuisson pour arroser et faire de la sauce.
- Un poulet de 3 livres prend environ 1 heure et demie à feu moyen à élevé.
- Soyez conscient de la capacité de votre moteur de rôtisserie. Ne surchargez jamais votre équipement.
- Assurez-vous de toujours équilibrer la charge sur votre rôtisserie.



AVERTISSEMENT !

- Démontez les éléments de la rôtissoire une fois la cuisson terminée, lavez-les à l'eau chaude savonneuse et rangez-les à l'intérieur.
- N'utilisez jamais une bouteille de gaz remplie à plus de 80 %.
- Utilisez des gants de cuisine résistants à la chaleur lorsque vous manipulez les éléments chauds de la rôtissoire.
- Débranchez la fiche de la rôtissoire de la prise de courant lorsque le grill n'est pas utilisé.

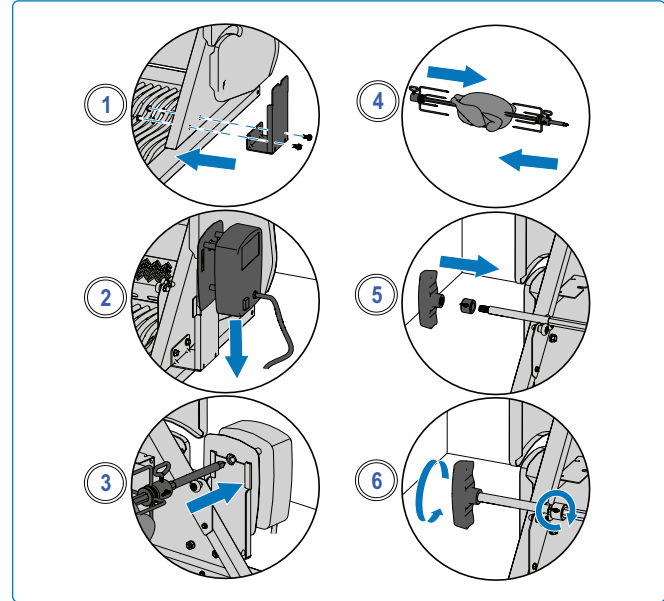


AS TU SAVOIR ?

Vous pouvez retirer les grilles de cuisson si elles gênent la cuisson de gros morceaux de viande.

Comment cuire plusieurs poulets


1. Attachez ou enfoncez les ailes au corps des poulets.
2. Glissez la fourche de la rôtisserie sur la broche.
3. Enfilez le premier poulet sur la broche jusqu'à ce qu'il soit maintenu en place par la fourche de la rôtisserie. Serrez.
4. Enfilez les 2 prochains poulets sur la broche de manière à ce que tous les poulets soient proches les uns des autres.
5. Glissez la deuxième fourche de la rôtisserie sur la broche et poussez dans le poulet jusqu'à ce que les 3 poulets soient serrés ensemble. Serrez.



Liste de contrôle de l'expérience de grillade

Référez-vous à cette liste chaque fois que vous faites griller

- Lisez le manuel du propriétaire**
Assurez-vous d'avoir lu le manuel du propriétaire et toutes les instructions de sécurité.
- Nettoyez le plateau de graisse**
Assurez-vous toujours de nettoyer le plateau de graisse avant de faire griller pour éviter les incendies et les flambées.
- Vérifiez le tuyau**
Assurez-vous que le grill est éteint et froid. Vérifiez le tuyau pour détecter des signes d'abrasions excessives ou de coupures. Faites remplacer le tuyau avant utilisation si le tuyau est endommagé.
- Préchauffez et nettoyez les grilles**
Enduisez les grilles de shortening végétal et préchauffez votre grill pour brûler les résidus excessifs et éviter que les aliments ne collent. Nettoyez les grilles en fonte avec une brosse en laiton et les grilles en acier inoxydable avec une brosse en acier inoxydable. Voir "Instructions de nettoyage".
- Préparez la zone**
Assurez-vous que tout ce dont vous avez besoin pendant la grillade, comme vos ustensiles, assaisonnements, sauces et plats, est à votre portée. Ne laissez pas vos aliments sans surveillance, ils pourraient brûler.
- Retournez une fois et ne regardez pas**
Essayez de ne pas ouvrir le couvercle et de regarder trop souvent, sinon la chaleur s'échappera et perturbera votre température et vos temps de cuisson. Retournez votre nourriture une seule fois, surtout le steak et le poulet.
- Laissez de l'espace**
Laissez un peu d'espace sur le grill et entre les aliments, afin d'avoir de la place pour déplacer les aliments si nécessaire.
- Utilisez un thermomètre**
Utilisez un thermomètre pour vous assurer que la nourriture est bien cuite. Suivez les directives de température appropriées pour tous les types de viande, en particulier la volaille.

 **NOTE :** Les grilles de cuisson en acier inoxydable résistent à la corrosion et nécessitent moins d'entretien que les grilles en fonte.

GRILLADE CONSEIL !

Découvrez des recettes inspirantes et des techniques de grillade dans les livres de cuisine Napoléon ou visitez le site www.napoleon.com

GRILLADE CONSEIL !

Préchauffez toujours le grill avant de cuisiner pour brûler les résidus et éviter que les aliments ne collent à la grille.

SUGGESTION D'HUILE ET DE GRAISSE !

Huile de pépins de raisin
Huile de tournesol
Huile de soja
Huile d'olive extra vierge
Huile de Canola
Si elle n'est pas disponible, choisissez une huile ou une graisse dont le point de fumée est élevé. N'utilisez pas de graisses salées comme le beurre ou la margarine.



ATTENTION !

Comment assaisonner les grilles de cuisson en fonte








Cette procédure **DOIT** être effectuée avant la première utilisation et répétée toutes les 3-4 utilisations pour garder les grilles neuves.

1. Retirez les grilles en fonte du grill.
2. Lavez les grilles avec de l'eau chaude savonneuse et un chiffon doux. Séchez-les et laissez les grilles sécher complètement.
3. Appliquez uniformément de la graisse/de l'huile à l'aide d'un pinceau en silicone sur les deux côtés.
4. Préchauffez l'appareil à 350 °F - 400 °F (176 °C - 204 °C).
5. Installez les grilles de cuisson et faites cuire pendant 30 minutes.
6. Appliquez une deuxième couche uniforme de graisse/huile sur les grilles de cuisson, et continuez à cuire pendant 30 minutes supplémentaires.
7. Les grilles sont maintenant assaisonnées.



NOTE : Si de la rouille s'est formée sur les grilles en fonte, éliminez-la à l'aide d'un tampon à récurer ou d'une brosse en laiton et répétez le processus d'assaisonnement.

Guides de grillades infrarouges

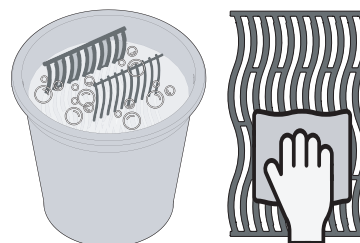
Aliments	Réglage du bouton de commande	Temps de cuisson	Suggestions
 Steak 1 pouce (2,54 cm) d'épaisseur.	ÉLEVÉ 2 minutes de chaque côté.	Rare – 4 minutes	Demander de la graisse marbrée en coupe.
	HAUT à MOYEN chauffer 2 minutes de chaque côté puis tourner à feu moyen.	Moyen – 6 minutes	Le gras est un attendrisseur naturel et garde la viande juteuse.
		Bien cuit – 8 minutes	
 Hamburger ½ pouce (1.27 cm) thick	ÉLEVÉ 2 minutes de chaque côté.	Rare – 4 minutes	Garder les galettes de la même épaisseur pour des temps de cuisson égaux.
	ÉLEVÉ 2 ½ minutes de chaque côté.	Moyen – 5 minutes	
	ÉLEVÉ 3 minutes de chaque côté.	Bien cuit - 6 minutes	Les galettes de 1 pouce d'épaisseur ou plus doivent être grillées à la chaleur indirecte.
 Poulet	HAUT à MOYEN chauffer 2 minutes de chaque côté puis tourner à feu moyen.	20 – 25 minutes	Trancher l'articulation reliant la cuisse et la cuisse $\frac{3}{4}$ à travers pour que la viande repose à plat sur le brûleur et cuire uniformément.
 Côtelettes de porc	MOYEN	6 minutes de chaque côté	Choisissez des coupes épaisses pour une viande plus tendre. Enlever l'excès de gras.
 Côtes levées	HAUT à BAS Élevé pour 5 minutes puis bas jusqu'à ce que fini.	20 minutes de chaque côté en tournant souvent	Choisissez des côtes levées maigres et charnues. Griller jusqu'à ce que la viande se détache facilement de l'os.
 Côtelettes d'agneau	HAUT à MOYEN Haut pendant 5 minutes puis Moyenne jusqu'à la fin	15 minutes de chaque côté	Choisissez des coupes épaisses pour une viande plus tendre. Enlever l'excès de gras.
 Saucisses	MOYEN à FAIBLE	4 – 6 minutes	Choisir des saucisses fumées plus grosses et les fendre dans le sens de la longueur avant de les griller.

Il s'agit de lignes directrices générales. Veuillez vous référer aux recommandations des autorités sanitaires pour des informations plus détaillées.

Instructions de nettoyage

Première utilisation

1. Lavez les grilles à la main avec de l'eau et un savon doux pour la vaisselle pour enlever tout résidu du processus de fabrication. **NE PAS** laver au lave-vaisselle.
2. Rincez abondamment à l'eau chaude et séchez complètement avec un chiffon doux pour éviter que l'humidité n'entre dans la fonte.

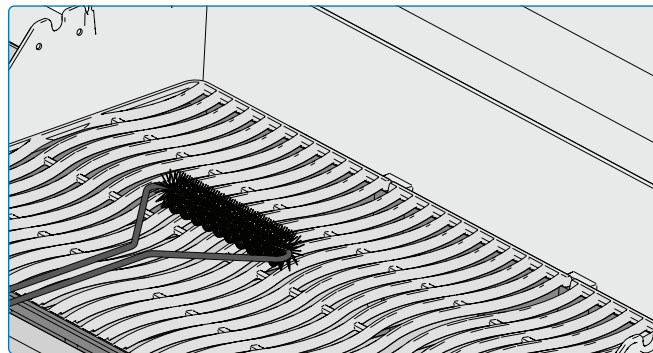


Grilles en fonte

- Assaisonnez vos grilles pour ajouter un revêtement protecteur pour prévenir la corrosion. Voir Conseils de grillade - **Comment assaisonner vos grilles de cuisson en fonte.**

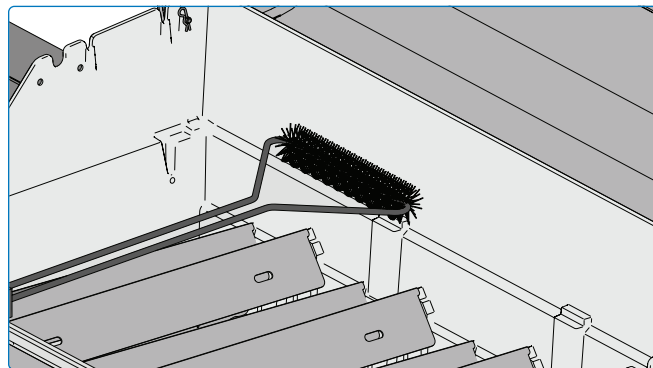
Grilles en acier inoxydable

- Les grilles de cuisson en acier inoxydable peuvent être nettoyées en préchauffant le grill et en utilisant une brosse métallique pour enlever les résidus.
- Les grilles en acier inoxydable se décoloreront de manière permanente avec une utilisation régulière en raison des températures élevées lors de la grillade.



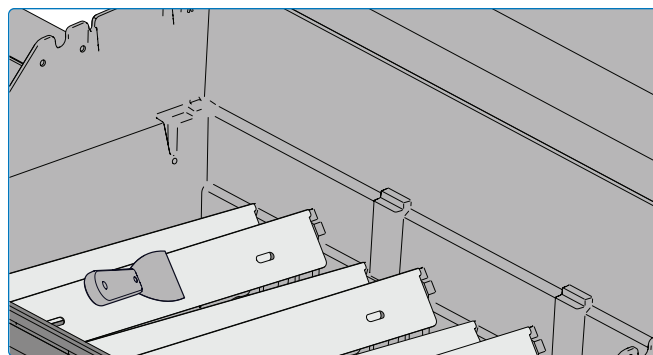
Brûleur latéral infrarouge

- La plupart des suintements et particules alimentaires qui tombent sur la surface du brûleur infrarouge s'incinèrent immédiatement en raison de la chaleur intense.
- Ne pas nettoyer la tuile céramique avec une brosse métallique.
- Ne pas utiliser d'eau ou d'autres liquides pour nettoyer le brûleur. Un changement immédiat de température provoquera des fissures dans la tuile céramique.
- Allumez le brûleur et faites-le fonctionner à haute température pendant 5 à 10 minutes pour enlever tout résidu restant.



À l'intérieur du grill

1. Retirez les grilles de cuisson.
2. Utilisez une brosse métallique en laiton pour nettoyer les débris lâches des côtés et sous le couvercle.
3. Grattez les plaques de saisie avec un couteau à mastic ou une raclette. Utilisez une brosse métallique pour enlever les cendres.
4. Retirez les plaques de saisie et brossez les débris des brûleurs avec une brosse métallique.
5. Balayez les débris de l'intérieur du grill dans le bac de récupération.



DANGER !

- Portez toujours des gants et des lunettes de protection lorsque vous nettoyez votre grill.
- Le nettoyage ne doit être effectué que lorsque le grill est froid afin d'éviter tout risque de brûlure.
- L'accumulation de graisse constitue un risque d'incendie.

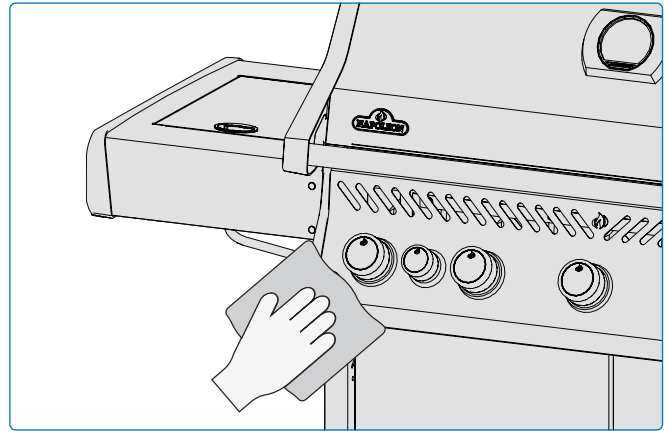
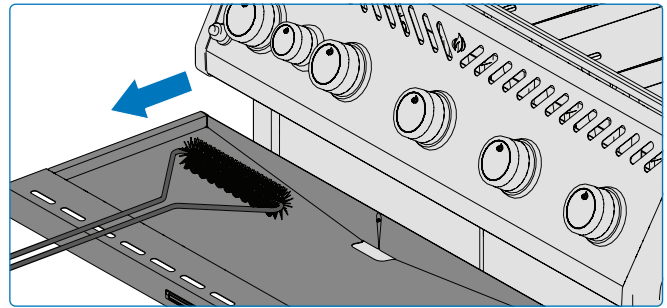
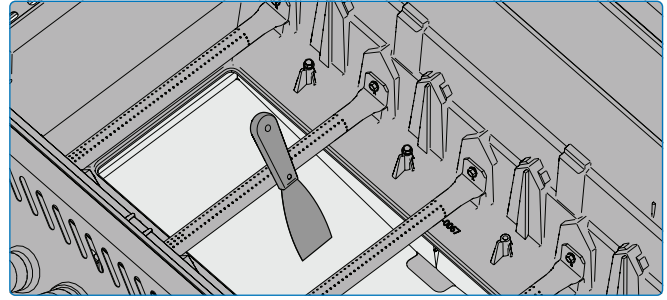
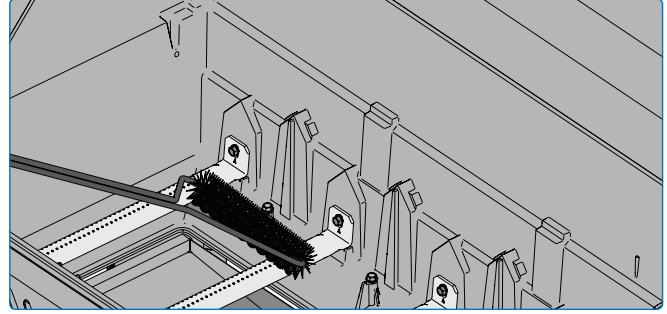
Bac à graisse

Chaque tête de grill, brûleur latéral et brûleur encastré ont un bac à graisse correspondant. Il est facilement accessible par des portes ou des ouvertures.

- La graisse et les suintements excessifs s'accumulent dans le bac à graisse situé sous le grill et s'accumulent dans le plateau de graisse jetable sous le bac à graisse (si applicable).
- Utilisez uniquement des doublures approuvées par Napoleon sur le bac à graisse. N'utilisez jamais de papier d'aluminium, de sable ou tout autre matériau non approuvé. Cela peut empêcher la graisse de s'écouler correctement.
- Nettoyez fréquemment pour éviter l'accumulation de graisse - environ toutes les 4-5 utilisations.

Étapes de nettoyage :

1. Faites glisser le bac à graisse du grill pour accéder au plateau de graisse jetable ou pour nettoyer le bac à graisse.
2. Grattez le bac à graisse avec un couteau à mastic ou une raclette.
3. Remplacez le plateau de graisse jetable toutes les 2 à 4 semaines en fonction de l'utilisation du grill (si applicable).
4. Consultez votre revendeur de grills Napoleon pour les fournitures.



Panneau de contrôle

ONLY use warm soapy water. Text is printed directly on the control panel and will gradually rub off if abrasive or stainless steel cleaners are used. Proper cleaning of the control panel will ensure the text remains dark and legible.

Pièces moulées en aluminium

Nettoyez avec de l'eau tiède savonneuse. L'aluminium ne rouille pas, mais les températures élevées et les intempéries peuvent causer une oxydation à la surface des pièces moulées qui ressemble à des taches blanches. Voir "Instructions d'entretien" pour plus d'informations sur comment prévenir l'oxydation de l'aluminium.

Surface extérieure du grill

- Utilisez uniquement un nettoyant non abrasif. Les nettoyants abrasifs ou la laine d'acier rayeront la finition.
- Essayez toujours dans le sens du grain.
- Manipulez les composants en émail de porcelaine avec soin.
- La finition en émail cuit est vitreuse et s'écaillera si elle est frappée.
- Les pièces en acier inoxydable se décolorent avec le temps lorsqu'elles sont chauffées et prendront une teinte dorée ou brune. C'est normal et cela n'affectera pas les performances du grill.



AVERTISSEMENT !

- Assurez-vous que tous les brûleurs sont éteints et que le grill est froid avant de le nettoyer. N'utilisez pas de nettoyant pour four pour nettoyer une quelconque partie du grill.
- Ne mettez pas les grilles de cuisson ou toute autre partie du grill dans un four autonettoyant pour le nettoyer. Nettoyez le grill dans un endroit où la solution de nettoyage ne risque pas d'endommager les terrasses, les pelouses ou les patios.
- La sauce barbecue et le sel peuvent être corrosifs et entraîner une détérioration rapide des composants du grill s'ils ne sont pas nettoyés régulièrement.

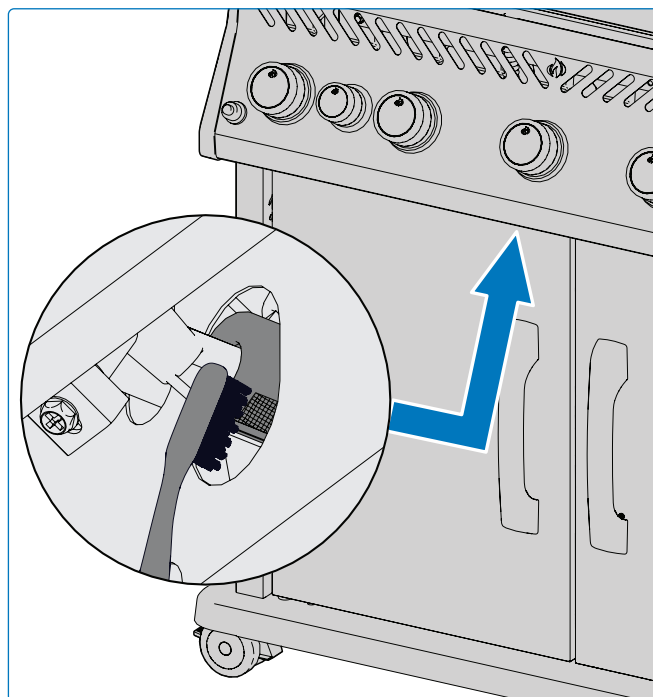
Écran anti-insectes et orifices de brûleur

Les araignées et les insectes sont attirés par les petits espaces fermés. Napoleon a équipé le brûleur d'un écran anti-insectes sur l'obturateur d'air.

Cela réduit la probabilité que les insectes construisent des nids à l'intérieur du brûleur, mais ne l'élimine pas.

Un nid ou une toile peut faire brûler la flamme du brûleur en jaune doux ou en orange et provoquer un incendie ou un retour de flamme à l'obturateur d'air sous le panneau de contrôle.

1. Retirez la (les) vis qui fixe(nt) le brûleur à la paroi arrière du grill. Faites glisser le brûleur vers l'arrière et vers le haut pour le retirer.
2. Utilisez une brosse flexible pour tube venturi pour nettoyer l'intérieur du brûleur.
3. Secouez les débris lâches du brûleur par l'entrée de gaz.
4. Vérifiez les orifices du brûleur et les orifices des vannes pour les blocages : les orifices du brûleur peuvent se fermer avec le temps à cause des débris de cuisson et de la corrosion.
5. Utilisez un trombone ouvert, ou le bit de maintenance de port fourni pour nettoyer les ports de brûleur.
6. Percez les ports bloqués en utilisant le foret fourni dans une petite perceuse sans fil : cela peut être fait avec le brûleur attaché au grill, mais c'est plus facile s'il est retiré du grill.
7. Ne pliez pas le foret lors du perçage des ports car le foret se cassera.
8. Ce foret est pour les ports de brûleur PAS pour les orifices en laiton qui régulent le débit de gaz vers le brûleur.
9. Ne pas agrandir les trous
10. Assurez-vous que l'écran anti-insectes est propre, serré et exempt de peluches ou d'autres débris.
11. Inversez la procédure pour réinstaller le brûleur.
12. Assurez-vous que la vanne entre dans le brûleur lors de l'installation.
13. Remplacez le support de la plaque de saisie et serrez les vis pour terminer la réinstallation.



DANGER !

- Il est très important que la soupape/l'orifice pénètre dans le tube du brûleur lorsque vous réinstallez le brûleur après l'avoir nettoyé et avant d'allumer votre grill, faute de quoi un incendie ou une explosion pourrait se produire.
- Évitez tout contact non protégé avec des surfaces chaudes.
- N'utilisez pas de nettoyeurs abrasifs ou de laine d'acier sur les parties peintes, en porcelaine ou en acier inoxydable de votre grill, car cela rayerait la finition.



LA SÉCURITÉ D'ABORD !

Portez toujours des gants et des lunettes de protection lors de l'entretien de votre grill.

Instructions de maintenance

RECOMMANDATIONS

Ce gril doit être soigneusement inspecté et entretenu chaque année par un technicien qualifié.

- N'obstruez pas le flux de ventilation et d'air de combustion
- Veillez à ce que les ouvertures de ventilation de l'enceinte de la bouteille, situées sur le côté du chariot ou de l'enceinte, ainsi qu'à l'avant et à l'arrière de l'étagère inférieure, ne soient pas obstruées par des débris.

Combustion dans l'air réglage



IMPORTANT ! Cette opération doit être effectuée par un par un installateur de gaz qualifié.

- L'obturateur d'air est réglé en usine et ne devrait pas nécessiter d'ajustement dans des conditions normales. Des ajustements pourraient être nécessaires dans des conditions de terrain extrêmes.
- Les flammes de l'obturateur d'air seront bleu foncé, avec des pointes bleu clair et occasionnellement jaunes lorsqu'elles sont correctement ajustées.
- Un flux d'air insuffisant vers le brûleur produira de la suie et des flammes jaunes paresseuses.
- Un flux d'air trop important vers le brûleur provoquera un soulèvement erratique des flammes et des difficultés d'allumage.

Ajustement de l'obturateur d'air

1. Retirez les grilles de cuisson et les plaques de saisie. Laissez le couvercle ouvert.
2. Vous devrez peut-être ouvrir la porte de l'armoire ou retirer le tiroir supérieur (si équipé) pour accéder à la vis de l'obturateur d'air située à l'embouchure du brûleur.
3. Retirez le couvercle arrière pour ajuster l'obturateur d'air du brûleur arrière.
4. Desserrez la vis de blocage de l'obturateur d'air et ouvrez ou fermez l'obturateur d'air selon les besoins. **(Fig. 9)**
5. Allumez les brûleurs à fond.
6. Inspectez visuellement les flammes du brûleur.
7. Éteignez les brûleurs, serrez les vis de blocage et remplacez les pièces retirées lorsque les obturateurs sont correctement réglés.
8. Assurez-vous que les écrans anti-insectes sont installés.

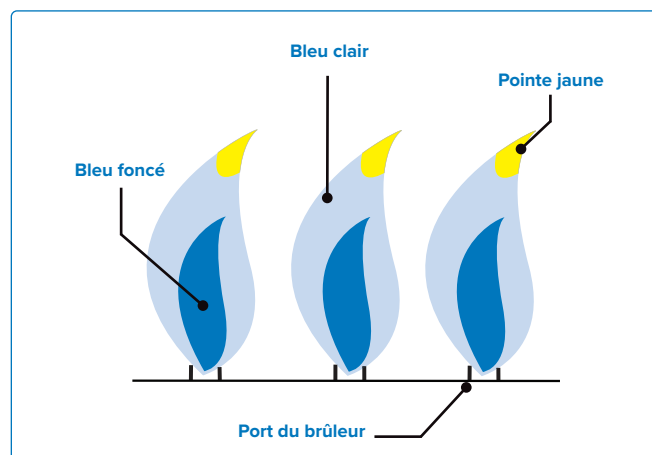


NOTE: Les brûleurs infrarouges n'ont pas de réglage d'air.



AVERTISSEMENT !

- Tenez le gril éloigné des matériaux combustibles, de l'essence et d'autres vapeurs et liquides inflammables.



Réglages de l'obturateur à air

Brûleur du tube principal	Propane	Gas Naturel
R425		
R525		
R625		
RP425		
RP525	1/2" (13 mm)	3/8" (10 mm)
RP625		
RPS425		
RPS525		
RPS625		

Fig. 9



NOUS VOULONS AIDER !

Communiquez avec le service des solutions à la clientèle de Napoléon pour obtenir les pièces de rechange recommandées au 1-866-820-8686.

Inoxydable dans des environnements difficiles

L'acier inoxydable s'oxyde ou se tache en présence de chlorures et de sulfures, surtout dans les régions côtières, les zones chaudes et très humides, et autour des piscines et des jacuzzis. Ces taches ressemblent à de la rouille, mais elles peuvent être facilement enlevées ou évitées. Lavez les surfaces en inox et en chrome toutes les 3-4 semaines. Nettoyez avec de l'eau savonneuse tiède.

Entretien du brûleur

- Une chaleur extrême et un environnement corrosif peuvent provoquer une corrosion de surface même si le brûleur est fabriqué en acier inoxydable 304 à paroi épaisse.

Entretien et protection des brûleurs infrarouges

Vos brûleurs infrarouges sont conçus pour avoir une longue durée de vie, mais vous devez faire attention à prévenir la fissuration de leurs surfaces en céramique. Les fractures provoqueront un dysfonctionnement des brûleurs.



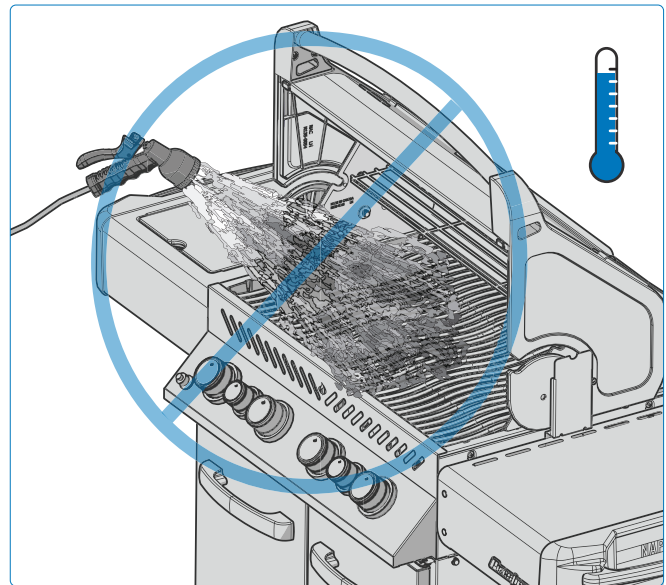
IMPORTANT ! Les dommages résultant du non-respect de ces instructions de ces instructions ne sont PAS couverts par la garantie par la garantie de votre gril.

Dégagement Ventilation de l'air chaud

- L'air chaud doit avoir un moyen de s'échapper du gril pour que les brûleurs fonctionnent correctement.
- Les brûleurs peuvent manquer d'oxygène si l'air chaud n'est pas autorisé à s'échapper, ce qui peut les faire rétroflamber. La céramique peut se fissurer si cela se produit à plusieurs reprises.

Étapes pour éviter d'endommager les surfaces en céramique

1. Ne jamais éteindre une flamme ou contrôler les flambées avec de l'eau.
2. Ne laissez pas l'eau froide (pluie, arrosage, tuyau, etc.) entrer en contact avec les brûleurs en céramique chauds. Un changement immédiat de température provoquera la fissuration de la tuile en céramique.
3. Un brûleur en céramique qui devient humide avant utilisation créera de la vapeur lorsqu'il sera utilisé plus tard et produira une pression qui fera craquer la céramique.
4. Le trempage répété de la céramique peut la faire gonfler et se dilater, produisant une pression qui fera craquer et s'effriter la céramique.
5. Inspectez la céramique pour détecter une éventuelle absorption d'eau si vous trouvez de l'eau stagnante dans le gril. Retirez le brûleur si la céramique est humide. Retournez-le pour évacuer l'excès d'eau. Apportez la céramique à l'intérieur pour la sécher complètement.
6. Ne laissez pas les objets durs impacter le brûleur. Soyez prudent lors de l'insertion ou du retrait des grilles de cuisson et de l'utilisation des accessoires.



DANGER !

- Coupez le gaz à la source et débranchez l'appareil avant de procéder à l'entretien.
- L'entretien ne doit être effectué que lorsque le gril est froid afin d'éviter tout risque de brûlure.
- Un test d'étanchéité doit être effectué chaque année et lorsqu'un composant du système d'alimentation en gaz est remplacé, ou en cas d'odeur de gaz.



LA SÉCURITÉ D'ABORD !

Ne jamais couvrir plus de 75 % de la surface de cuisson d'un brûleur principal ou d'un brûleur latéral avec un métal solide (par exemple, des plaques de cuisson ou des casseroles).

Résolution des problèmes

Problèmes d'allumage

- Les brûleurs principaux, arrière ou latéraux ne s'allument pas avec l'allumeur, mais s'allument avec une allumette.
- Les brûleurs ne s'allument pas l'un l'autre.

	Causes possibles	Solution
Brûleur principal	La sortie du JETFIRE™ est sale ou obstruée.	Nettoyer la prise JETFIRE™ avec une brosse à dents à poils souples.
	Supports de feux de croisement encrassés ou corrodés.	Nettoyer ou remplacer selon les besoins.
Brûleurs arrière et latéraux	Soulever les flammes sur le brûleur.	Fermez l'obturateur d'air conformément à la section "Instructions d'entretien"- Réglage de l'air de combustion de ce manuel d'utilisation. IMPORTANT ! Cette opération doit être effectuée par un installateur de gaz qualifié.
	Fil d'électrode ou fils de terminaison d'interrupteur desserrés.	Vérifiez que le fil de l'électrode est bien enfoncé dans la borne située à l'arrière de l'allumeur. Vérifiez que les fils conducteurs reliant le module au commutateur d'allumage (le cas échéant) sont fermement enfoncés dans leurs bornes respectives.
	Batterie déchargée ou mal installée.	Remplacer par une batterie de première qualité à usage intensif. (Fig 10).

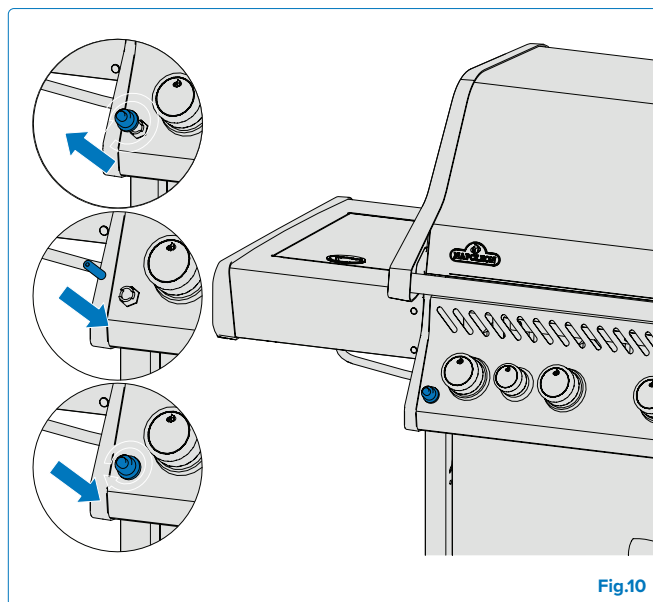


Fig.10



NOUS VOULONS AIDER !

Napoléon est là pour s'assurer que votre expérience de grillade soit mémorable. Contactez-nous si vous avez besoin d'aide supplémentaire.



ENREGISTREZ VOTRE GRIL!

Consultez le site Napoleon.com ou votre guide d'assemblage pour obtenir des instructions sur les pièces de rechange.

Bruits et flambées

- Ronflement du régulateur.
- Flambées excessives et chaleur inégale.

Causes possibles	Solution
Bruit normal de ronronnement les jours de forte chaleur.	Il ne s'agit pas d'un défaut. Il est causé par les vibrations internes du régulateur et n'affecte pas les performances ou la sécurité du gril. Les détendeurs qui ronronnent NE SERONT PAS remplacés.
Le robinet de la bouteille a été ouvert trop rapidement.	Ouvrez lentement le robinet de la bouteille.
Les plaques de gril sont mal installées.	Assurez-vous que les plaques de gril sont installées avec les trous vers l'avant et les fentes vers le bas. Voir le guide des instructions d'assemblage.
Chauffage incorrect.	Préchauffer le gril avec tous les brûleurs principaux à feu vif pendant 10 à 15 minutes.
Accumulation excessive de graisse et de cendres sur les plaques de cuisson et dans la lèchefrite.	Nettoyez régulièrement les plaques de cuisson et la lèchefrite. Ne pas recouvrir la lèchefrite de papier d'aluminium. Reportez-vous aux "Instructions de nettoyage" .

Flux du gaz

- Chaleur faible ou flamme faible lorsque le robinet est réglé sur la position haute.
- Les brûleurs brûlent avec une flamme jaune, accompagnée d'une odeur de gaz.
- Les flammes s'éloignent du brûleur, accompagnées d'une odeur de gaz et d'éventuelles difficultés d'allumage.
- La sortie du brûleur est sur HIGH, mais le réglage est sur LOW. Bruit de grondement et flamme bleue vacillante à la surface du brûleur.

Causes possibles	Solution
Propane – improper lighting procedure.	Ensure lighting procedure is followed carefully. All gas valves must be in the OFF position when the tank valve is turned on. Turn tank on slowly to allow pressure to equalize. See Operation – "Lighting Instructions" .
Natural gas – undersized supply line.	Pipe must be sized according to installation code.
Leaking gasket surrounding the ceramic tile, or a weld failure in the burner housing.	Allow burner to cool and inspect very closely for cracks. Contact your authorized Napoleon dealer to order replacement burner assembly if any cracks are found.
Both gas propane and natural gas – improper preheating.	Preheat grill with both main burners on high for 10 to 15 minutes.
Possible spider web or other debris.	Thoroughly clean nest or webs out of your burner orifice by removing it and following instructions in this manual. See "Leak Test" .
Improper air shutter adjustment.	Open or close air shutter slightly according to this manual. See "Maintenance Instructions" . IMPORTANT! This must be done by a qualified gas installer.
Lack of gas.	Check gas level in propane cylinder.
Supply hose is pinched.	Reposition supply hose as necessary.
Propane regulator in low flow state.	Turn the burners off and close the tank valve, wait 5 minutes before fully re-opening the valve, allow a few seconds for the pressure to equalize before following the Lighting Instructions to start the grill. Ensure igniting procedure is followed carefully every time you cook. All gas valves must be OFF when the tank valve is turned on. Always open the tank valve slowly.

Peeling Paint

- Paint appears to be peeling inside lid or hood.

Causes possibles	Solution
Grease build-up on inside surfaces.	This is not a defect. The finish on the lid and hood is porcelain or stainless steel and will not peel. The peeling is caused by hardened grease, which dries into paint-like shards, that flake off. Regular cleaning will prevent this. See " Cleaning instructions ".

Infrared Burner Flashes Back

- During operation the burner abruptly makes a loud whoosh sound, followed by a continuous blow-torch type sound and grows dim or has a large flame on start up.

Causes possibles	Solution
Ceramic tiles overloaded with grease drippings and build-up. Ports are clogged.	Turner burner OFF and allow to cool for at least 2 minutes. Reignite burner and burn on HIGH for at least 5 minutes, or until the ceramic tiles are evenly glowing red.
Burner overheated because inadequate ventilation. Too much grill surface covered by griddle or pan.	Ensure no more than 75% of the grill surface is covered by objects or accessories. Turn burner OFF and allow to cool for at least 2 minutes. Reignite.
Leaking gasket surrounding the ceramic tile, or a weld failure in the burner housing.	Allow burner to cool and inspect very closely for cracks. Contact your authorized Napoleon dealer to order replacement burner assembly if any cracks are found.
Improper heating.	Preheat grill with both main burners on high for 10 to 15 minutes.
Excessive grease and ash build on sear plates and in drip pan.	Clean sear plates and drip pan regularly. Do not line pan with aluminum foil. Refer to " Cleaning Instructions ".

GARANTIE DE 15 ANS DE NAPOLÉON

POUR LES MODÈLES LEGEND® & MODÈLES ROGUE®

Les produits Napoléon sont conçus avec des composants et des matériaux de qualité supérieure, assemblés par des artisans qualifiés qui sont fiers de leur travail. Le brûleur et le montage de la soupape subissent un test de détection de fuites et d'allumage à une station de contrôle de la qualité. Ce gril a été soigneusement inspecté par un technicien qualifié avant d'être emballé et expédié pour garantir que vous, le client, recevez le produit de qualité dont vous vous attendez de Napoléon.

Merci d'avoir choisi un produit Napoléon. Napoléon (Wolf Steel Itée, Barrie, ON, Canada) garantit que les composants de votre nouveau produit Napoléon seront exempts de défauts de matériau ou de fabrication à compter de la date de l'achat, pour une durée de 15 ans.



Hotte.....	15 ans
Couvercle en acier inoxydable.....	15 ans
Couvercle en porcelaine émaillée	15 ans
Pièces en fonte d'aluminium.....	15 ans
Grilles de cuisson en acier inoxydable	15 ans
Brûleurs tubulaires en acier inoxydable	15 ans
Plaques de brûleur en acier inoxydable	15 ans
Grilles de cuisson en fonte émaillée.....	15 ans
Brûleur arrière infrarouge.....	15 ans
Brûleur latéral infrarouge	15 ans
Toutes les autres pièces	15 ans

CONDITIONS ET LIMITES DE LA GARANTIE

La présente garantie volontaire couvre une période de garantie de 15 ans pour tout produit acheté par l'entremise d'un détaillant autorisé Napoléon, et donne droit à l'acheteur d'origine (ou au destinataire du cadeau dans le cas où un nouveau produit est offert en cadeau) à la couverture spécifiée relativement à tout composant remplacé durant la période de garantie, que ce soit par Napoléon ou un détaillant autorisé Napoléon, pour le remplacement de tout composant qui présente une défaillance dans le cadre d'un usage privé normal à la suite d'un défaut de fabrication. Cette garantie ne couvre pas les accessoires ou les articles en prime.

Il est entendu que l'« usage privé normal » d'un produit signifie que le produit : a été installé (le cas échéant) par un technicien de service ou entrepreneur certifié, conformément aux instructions d'installation incluses avec le produit et à tous les codes locaux et nationaux du bâtiment et de prévention des incendies; a été adéquatement nettoyé et entretenu conformément aux instructions; et n'a pas été utilisé dans une application à usage collectif ou commercial. Dans des applications à usage collectif ou commercial (lorsqu'elles sont approuvées), la garantie est réduite à une période de deux (2) ans.

De la même manière, « défaillance » n'inclut pas : les dommages causés par une surchauffe, les extinctions causées par des conditions environnementales telles que des vents forts ou une ventilation inadéquate, les égratignures, les bosses, la corrosion, la détérioration des finis peints et plaqués, la décoloration due à la chaleur, aux nettoyants abrasifs ou chimiques ou à l'exposition à des rayons UV, l'écaillage des pièces en porcelaine émaillée ou les dommages

causés par un mauvais usage, un accident, la grêle, des feux de graisse, un manque d'entretien et de nettoyage, un environnement inadéquat tel que le sel ou le chlore, des altérations, des abus, des négligences ou des pièces installées par d'autres fabricants.

Si vous vivez en zone côtière, ou que votre produit est situé près d'une piscine ou d'un spa, l'entretien comprend le lavage et le rinçage réguliers des surfaces externes, comme indiqué dans le manuel d'utilisation du produit, afin de prévenir la corrosion de surface. Dans le cas d'une détérioration des composants causant le mauvais fonctionnement de l'appareil (perforation par la rouille ou la surchauffe) pendant la période couverte par la garantie, les pièces de rechange seront fournies par Napoléon. Les pièces remplacées en vertu de cette garantie, ne sont garanties que pour le reste de la période de garantie initiale de quinze (15) ans mentionnée ci-dessus.

Les composants de rechange relèvent de la seule responsabilité de Napoléon telle que définie par la présente garantie; en aucun cas, Napoléon ne saurait être tenu responsable de l'installation, de la main-d'oeuvre ou de tous autres coûts ou dépenses relatifs à la réinstallation d'une pièce garantie, de tous dommages accessoires, consécutifs ou indirects ni de tous frais de manutention et de transport, ou taxes d'exportation. L'utilisation ou l'installation de pièces autres que des pièces d'origine Napoléon sur votre produit Napoléon annulera cette garantie, et tout dommage qui en résulterait n'est pas couvert par cette garantie. Toute conversion de gril à gaz non autorisée par Napoléon et effectuée par un technicien de service autorisé Napoléon annulera cette garantie.



Notes





ROGUE[®]

Manual de usuario

R425, R525, & R625 |
RP425, RP525, & RP625
RPS425, RPS525, & RPS625

Las parrillas que se ilustran en este manual pueden diferir del modelo adquirido.



¡Queremos tus comentarios!

Visita Napoleon.com para escribir una reseña



Coloque aquí el número de serie

¡FELICIDADES POR ADQUIRIR TU PARRILLA NAPOLEON!

Acabas de elevar tu potencial
como chef parrillero.



**QUEREMOS QUE TUS EXPERIENCIAS FRENTE A LA PARRILLA
SEAN MEMORABLES Y SEGURAS.**

🔥 Por favor, lee y sigue este manual antes de usar tu parrilla para evitar potenciales daños a tu propiedad, heridas a tu persona o la muerte

🔥 Retire completamente todo empaque, material promocional y etiquetas de la parrilla antes de encenderla.

UTILIZA TU PARRILLA AL AIRE LIBRE Y EN ESPACIOS BIEN VENTILADOS.

SI PERCIBE EL OLOR A GAS:

- Detenga el flujo del gas a la parrilla.
- Extinga cualquier llama abierta.
- Abra la tapa de la parrilla.
- Si el olor continua, retírese de la parrilla e inmediatamente llame a su proveedor de gas o al departamento de bomberos.



No encienda la parrilla sin antes haber leído las instrucciones de encendido en este manual.

No guarde o use gasolina u otros productos inflamables en las cercanías de esta o cualquier otra parrilla.

Un cilindro de gas propano que no esté debidamente conectado al asador no debe guardarse en las cercanías de esta o cualquier otra parrilla.

Si no sigue las instrucciones exactamente como las describe este manual, corre el riesgo de provocar un incendio o explosión que puede causar daños a la propiedad, heridas a su persona o la muerte.



Este atento a los peligros del contacto con superficies calientes.
Los niños que se encuentren en las cercanías de la parrilla deben estar bajo la supervisión de un adulto.

AVISO AL INSTALADOR: Deje estas instrucciones con el dueño de la parrilla para futuras referencias.

AVISO AL CONSUMIDOR: Guarde estas instrucciones para futuras referencias.

¡Bienvenido a Napoleon!

La seguridad primero

¡ADVERTENCIA! Información general

Esta parrilla debe ser instalada en conformidad con los códigos locales en vigor o, en ausencia de códigos locales, en conformidad con las siguientes normas según corresponda: "Código CSA B149.1 Instalación de gas natural y propano" en Canadá, o el "Código nacional de gas combustible ANSI Z223.1/NFPA 54" en los Estados Unidos.

Si utiliza un motor de asador asegúrese que esté eléctricamente conectado a tierra en conformidad con los códigos locales en vigor o, en ausencia de códigos locales, en conformidad con las siguientes normas según corresponda: "Código eléctrico canadiense CSA C22.1" en Canadá o el "Código Eléctrico Nacional ANSI/NFPA 70" en los Estados Unidos.

¡ADVERTENCIA! Instalación y ensamblado

Esta parrilla se debe ensamblar de acuerdo a las instrucciones descritas en su guía de ensamblaje incluidas con su parrilla. Si la parrilla fue armada en la tienda, revise las instrucciones para asegurar que se ha hecho adecuadamente.

No debe instalarse en vehículos recreativos y / o embarcaciones. Realice las pruebas de fuga requeridas antes de encender la parrilla. No modifique esta parrilla bajo ninguna circunstancia. No utilice un tanque de propano que no esté equipado con un tipo de conexión QCC1.

Sólo utilice el regulador de presión suministrado con esta parrilla, o partes de repuesto específicamente recomendadas por Napoleon.

¡ADVERTENCIA! Funcionamiento

Lea este manual de usuario antes de operar la parrilla.

Realice las pruebas de fuga antes de cada uso, anualmente y cuando cualquier componente de gas sea reemplazado. Siga las instrucciones de encendido cuidadosamente.

¡ADVERTENCIA! Almacenamiento y desuso

Cierre el flujo de gas del tanque de propano o cierra la válvula del gas natural. Desconecte la manguera de gas. Retire el tanque de gas propano y almacene la parrilla al aire libre en un espacio ventilado y alejado de los niños.

No guarde tanques de gas en edificios, cocheras, cobertizos, o cualquier otro espacio cerrado. Retire la conexión de gas natural del suministro cuando almacene la parrilla en interiores.

¡ADVERTENCIA! Propuesta 65 (California)

El uso de este producto puede exponerlo a sustancias químicas como el hollín y monóxido de carbono que, de acuerdo al Estado de California, pueden ser causantes de cáncer, defectos de nacimiento, y otras lesiones reproductivas. Para más información visite www.P65Warnings.ca.gov

CONTENIDO

iBienvenido a Napoleon!	55
La seguridad primero	
Características completas del sistema	56
Para comenzar	57
Prácticas de operación segura	
Ubicación de la parrilla	
Conexiones de gas	
Pruebas de fugas	
Funcionamiento	62
Encender la parrilla	
Instrucciones para asar a la parrilla	
Cómo rostizar usando el quemado posterior	
Lista para lograr las mejores parrilladas	
Consulta esta lista cada vez que cocines a la parrilla	
Cómo sazonar las parrillas de hierro fundido	
Guía de cocción infrarrojo	68
Instrucciones de limpieza	69
Instrucciones de mantenimiento	72
Combustión en el ajuste de aire	
Acero inoxidable en condiciones adversas	
Solución de problemas	74
Garantía	77

Características completas del sistema

Indicador de temperatura **ACCU-PROBE™** para leer fácilmente la temperatura y obtener resultados perfectos.

Quemador trasero de infrarrojos para disfrutar de succulentos platos asados.

Gran rejilla para calentar platos y aumentar la superficie de cocción hecha de acero inoxidable.

Quemador lateral infrarrojo **SIZZLE ZONE™** para un asado perfecto, uniforme y rápido.

Destapador de botellas integrado.

Perillas con iluminación para entretenimiento nocturno.

Quemadores de acero inoxidable reforzado para una calidad duradera.

Ignición **JETFIRE™** instantánea: inicio rápido y fácil.

Anillo para el tanque de propano.

Rejillas icónicas **WAVE™** (hierro fundido) para esas marcas distintivas en cada pieza de carne.

Placas de acero inoxidable de doble nivel que logra un asado uniforme y consistente, y vaporiza saborizantes líquidos.

Repisa plegables de acero inoxidable con ganchos para utensilios.

Bandeja de condimentos para guardar tus especias y salsas al alcance de la mano.

Ruedas con freno que mantienen tu parrilla estable.

Bandeja de goteo de fácil acceso que permite un mantenimiento ágil y rápido.



Las parrillas ilustradas en este manual de propietario pueden diferir del modelo adquirido.
Modelo destacado: ROGUE RPSE625

Para comenzar



¡PELIGRO! Avisa de un peligro que puede resultar en un incendio, explosión, muerte o serias heridas físicas.



¡ADVERTENCIA! Avisa de un peligro que puede ocasionar heridas físicas menores o daños a la propiedad.



Siempre utilice guantes protectores.



Siempre utilice lentes de seguridad.



¡PRECAUCIÓN! Superficie caliente.



Información importante.



No fume mientras revisa la parrilla en busca de fugas. Las chispas o las llamas pueden provocar un incendio, una explosión, daños materiales, lesiones físicas graves o la muerte..



No utilice nunca una llama abierta para comprobar si hay fugas de gas. Las chispas o las llamas pueden provocar un incendio, una explosión, daños materiales, lesiones físicas graves o la muerte.



Cierre inmediatamente el suministro de gas y desconéctelo.

Prácticas de operación segura

- No coloque la manguera por debajo de la bandeja de goteo. Mantenga una distancia apropiada entre la manguera y la parte inferior de la unidad.
- Asegúrese que las placas estén colocadas correctamente sobre los quemadores de acuerdo con las instrucciones de instalación.
- Los controles del quemador deben estar apagados cuando se abra la válvula del cilindro de gas.
- No encienda los quemadores con la tapa cerrada.
- No encienda los quemadores posteriores junto con los quemadores principales.
- No cierre la tapa del quemador lateral cuando esté en funcionamiento o caliente.
- No ponga a freír alimentos en el quemador lateral
- No ajuste las rejillas de cocción cuando estén en funcionamiento o calientes.
- No mueva el parrilla durante el uso.
- Cierre el suministro de gas del cilindro después de su uso
- No realice modificaciones a la parrilla.
- El mantenimiento solo debe realizarse cuando la parrilla esté fría.
- No guarde encendedores, fósforos u otros combustibles dentro del compartimento o bandeja de condimentos
- Mantenga los cables de suministro eléctrico y las mangueras de combustible alejados de las superficies calientes.
- Limpie la bandeja de grasa, la bandeja de goteo y las placas de sellado regularmente para evitar acumulaciones y fuegos de grasa.
- Mantenga el quemador infrarrojo y los tubos de Venturi del quemador principal libres de telarañas y otras obstrucciones inspeccionándolos y limpiándolos regularmente.
- No permita que el agua fría (lluvia, aspersor, manguera, etc.) entre en contacto con la parrilla caliente. Un cambio inmediato de temperatura astillará la porcelana y agrietará los quemadores de cerámica.
- No lave con agua a presión ninguna parte de la parrilla
- No coloque esta parrilla donde pueda estar expuesta a vientos fuertes, especialmente cuando el viento pueda venir directamente detrás de la parrilla.
- No opere la parrilla cerca de ninguna construcción de materiales combustible.
- Nunca cubra más del 75% de la superficie de cocción.
- Este aparato debe mantenerse alejado de materiales inflamables mientras esté en uso.
- Mantenga siempre la distancia adecuada a los materiales combustibles: 26" (660,4 mm) de la parte trasera de la unidad, 10" (254 mm) de los lados.
- Se recomienda un espacio adicional de 24" (610 mm) cerca de revestimientos de vinilo o paneles de vidrio
- La temperatura ambiente mínima para el uso seguro del aparato es de 0 °F (-17,8 °C).



¡ADVERTENCIA!

- La conexión e instalación del gas y de la manguera deben ser realizadas por un instalador de gas autorizado, y se debe realizar una prueba de fuga antes de poner en funcionamiento la parrilla.
- Asegúrese que la manguera del gas no haga contacto con ninguna superficie que pueda llegar a altas temperaturas durante el uso de la parrilla.
- Las partes accesibles pueden estar muy calientes. Mantenga alejados a los niños pequeños.

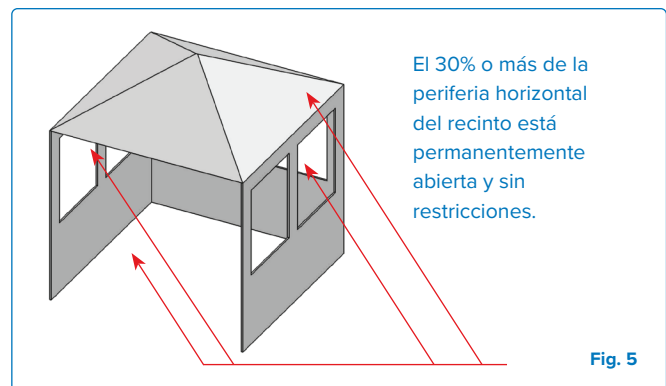
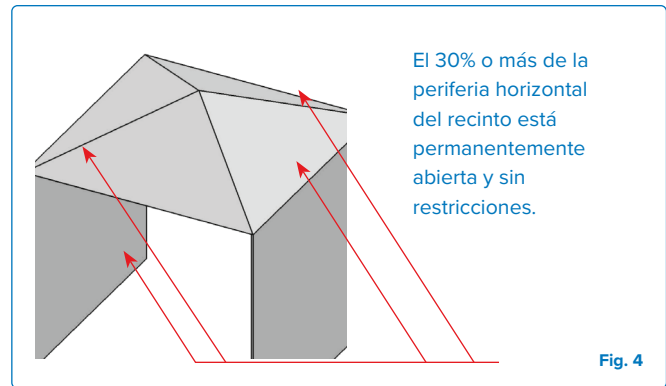
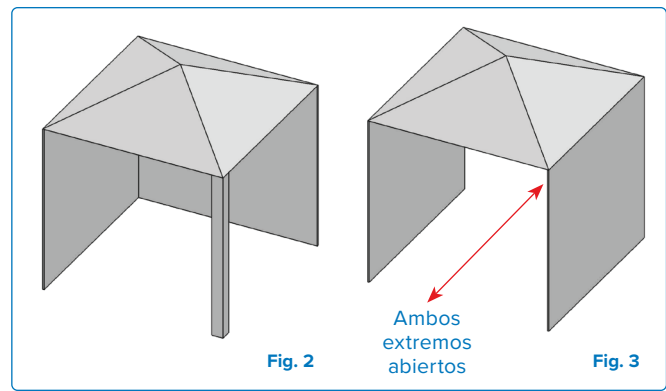
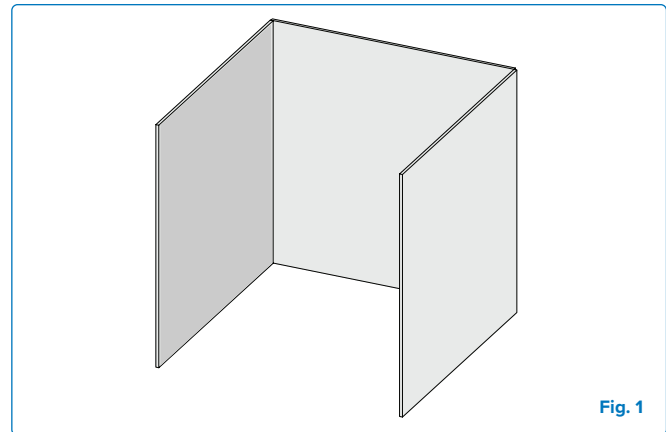
Ubicación de la parrilla

Es importante, al seleccionar una ubicación para su parrilla de gas, asegurarse de que se cumplan las distancias de seguridad con los combustibles adyacentes. Este aparato está destinado a ser instalado en un patio al aire libre o en su jardín.

- Este aparato solo debe ser utilizado en una situación al aire libre, sobre el nivel del suelo, con ventilación natural, sin áreas estancadas, donde las fugas de gas y los productos de combustión se dispersen rápidamente por el viento y la convección natural.
- No lo use en un edificio, garaje u otra área cerrada.
- No incorpore el aparato en ninguna construcción empotrada o deslizante.
- No obstruya ninguna abertura de ventilación del compartimiento del cilindro.

Cualquier recinto en el que se utilice el aparato deberá cumplir con una de las siguientes condiciones:

- Un aparato se considera al aire libre si se instala en un refugio con no más que paredes en tres lados, pero sin cubierta superior. **(Fig 1)**
 - Todas las aberturas existentes deben permanecer siempre abiertas.
 - Las puertas corredizas, puertas de garaje, ventanas o aberturas con mosquitero **no se consideran** aberturas permanentes.
- Un aparato se considera instalado al aire libre si se encuentra en un espacio que tenga como máximo un recinto parcial, que incluya una cubierta superior y no más de dos paredes laterales.
 - Las paredes laterales pueden ser paralelas, como en un pasillo, o en ángulo recto entre sí. **(Fig 2 & Fig 3)**
 - Todas las aberturas existentes deben permanecer siempre abiertas.
 - Las puertas corredizas, puertas de garaje, ventanas o aberturas con mosquitero **no se consideran** aberturas permanentes.
- Un aparato se considera instalado al aire libre si se encuentra en un espacio con no más que un recinto parcial que incluya una cubierta superior y tres paredes laterales, siempre que el 30% o más de la periferia horizontal del recinto esté permanentemente abierta. **(Fig 4 & Fig 5)**
 - Todas las aberturas existentes deben permanecer siempre abiertas.
 - Las puertas corredizas, puertas de garaje, ventanas o aberturas con mosquitero **no se consideran** aberturas permanentes.



Conexiones de gas

Para un cilindro de propano: Opción 1

Solo use un cilindro de propano de 20 lb (9.1 kg) construido y marcado de acuerdo con las especificaciones para cilindros de gas LP del departamento de transporte de los Estados Unidos (D.O.T.) o el estándar para cilindros, esferas y tubos para el transporte de mercancías peligrosas y comisión, CAN/CSA-B339, según corresponda.

Use solo un regulador de presión de gas especificado por Napoleon. El regulador debe suministrar una presión de 11 pulgadas de columna de agua (0.39 psi) y tener un acoplamiento tipo QCC1.

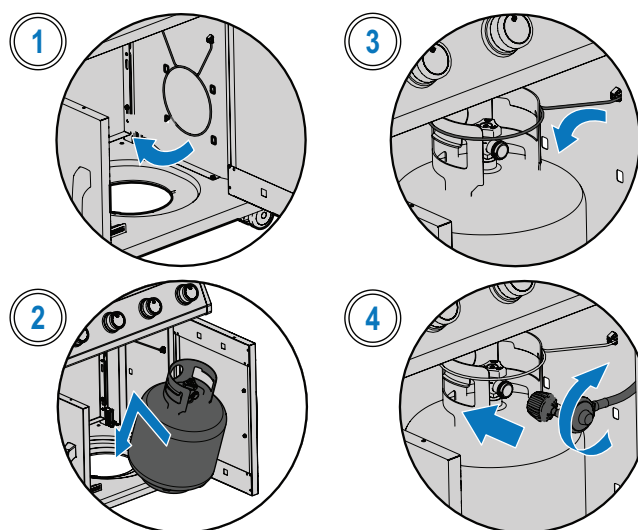
El dispositivo de conexión del cilindro debe ser compatible con la conexión para este electrodoméstico exterior.

El cilindro de propano debe tener:

- Una válvula de cierre con conexión QCC1.
- Un dispositivo de alivio de seguridad.
- Un collar para proteger la válvula.
- Un dispositivo de protección contra sobrellenado.

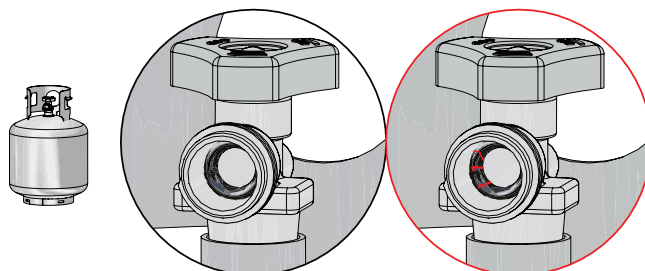
Instalación y conexión

- Revise el cilindro en busca de abolladuras u óxido y hágalo inspeccionar por su proveedor.
- Nunca use un cilindro con una válvula dañada.
- Coloque el cilindro en su área designada en el estante inferior.
- Asegúrese de que la manguera del regulador de gas no tenga torceduras.
- Quite la tapa o tapón de la válvula de combustible del cilindro de gas.
- Inserte la boquilla negra del regulador QCC1 en la válvula de combustible QCC1. Apriete a mano en el sentido de las manecillas del reloj. No utilice herramientas.
- Asegúrese de que la manguera no entre en contacto con la bandeja de goteo ni con ninguna superficie de altas temperaturas de la parrilla, ya que se derretirá y provocará un incendio.
- Realice una prueba de fugas en todas las juntas antes de operar la parrilla. Consulte **“prueba de fugas”**.
- El cilindro debe estar montado de manera que la salida de la válvula de alivio de presión no esté orientada hacia la posición de operación normal del usuario.



NOTA: Inspeccione el sello de la válvula del cilindro de gas LP en busca de grietas, desgaste o deterioro cada vez que el cilindro sea reemplazado o relleno.

Cualquier cilindro de gas LP que muestre signos de daño o deterioro, incluyendo grietas visibles y picaduras, debe ser devuelto sin usar al vendedor.



¡ADVERTENCIA!

- No almacene un cilindro de gas de repuesto debajo de la cabeza de la parrilla o los quemadores laterales.
- Siga todas las especificaciones e instrucciones exactamente para prevenir incendios, explosiones, daños materiales, lesiones personales o muerte.
- Nunca use un cilindro de gas que esté lleno más allá del 80%.
- Desconecte la parrilla y su válvula de cierre individual del sistema de tuberías de suministro de gas durante cualquier prueba de presión superior a ½ psi (3.5 kPa).

Para una línea de suministro de gas natural: Opción 2

- Se incluyen una manguera de suministro de gas y una desconexión rápida diseñadas para gas natural y certificadas para uso en exteriores con las parrillas de gas natural. Esta manguera de suministro también puede usarse para instalaciones de propano a granel.
- Las tuberías de gas natural deben suministrar una presión de 7 pulgadas de columna de agua a la entrada de la parrilla. Las tuberías de gas propano a granel deben suministrar una presión de 11 pulgadas de columna de agua a la entrada de la parrilla.
- La tubería y las válvulas de la desconexión rápida en dirección ascendente no están incluidas.
- Las tuberías del gas deben tener tamaño suficiente para proveer los BTU/h especificados en la etiqueta de clasificación de acuerdo con la longitud de las tuberías
- Vea la información de certificaciones y códigos en **“¡ADVERTENCIA! Información general”** de este manual.
 1. La conexión a una línea de suministro de gas debe ser realizada por personal calificado y debe probarse por fugas antes de operar la parrilla.
 2. No pase la manguera debajo de la bandeja de goteo
 3. Asegúrese de que la manguera no haga contacto con ninguna superficie caliente.

Desconexión rápida

- No instale el desconector rápido en dirección ascendente.
- Se debe instalar una válvula de cierre manual cerca de la desconexión rápida para fácil acceso.
- Conecte el extremo amplio de la manguera al tubo múltiple (si aplica).
- Apriete usando dos llaves inglesas, no sellador.
- Realice una prueba de fugas antes de operar la parrilla. Consulte **“Prueba de fugas”**.



¡ADVERTENCIA!

- Cierre la válvula individual para aislar la parrilla del sistema de tuberías de suministro de gas durante cualquier prueba de presión igual o inferior a ½ Psi (3,5 kPa).
- Compruebe si la manguera presenta abrasión excesiva, derretimiento, cortes o grietas. Si la manguera está dañada, debe ser reemplazada por una específicamente recomendada por Napoleon.



¡SEA CUIDADOSO!

La tapa y el cuerpo de la parrilla puede calentarse en extremo cuando está en uso.

Pruebas de fugas

¿Cuándo y por qué realizar prueba de fugas?

Una prueba de fugas confirma que no haya un escape de gas después de haber conectado la manguera al suministro.

Cada vez que reinstale el tanque realice una prueba de la unión entre el regulador, la manguera, y la boquilla del tanque de gas.

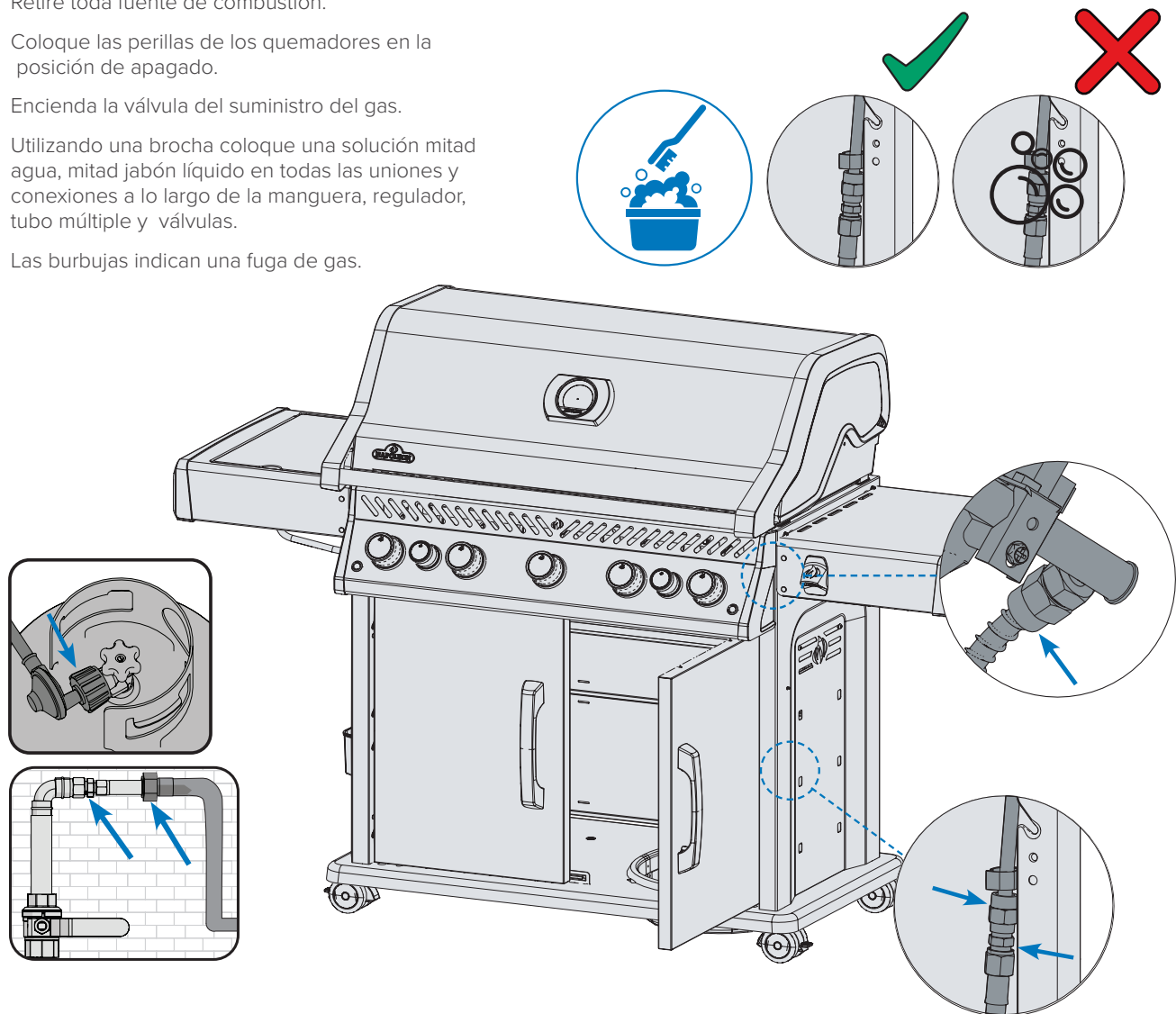
Realice esta prueba de forma anual, antes de cada uso y cuando un componente sea reemplazado.

Pasos de la prueba

1. No fume mientras realiza esta prueba.
2. Retire toda fuente de combustión.
3. Coloque las perillas de los quemadores en la posición de apagado.
4. Encienda la válvula del suministro del gas.
5. Utilizando una brocha coloque una solución mitad agua, mitad jabón líquido en todas las uniones y conexiones a lo largo de la manguera, regulador, tubo múltiple y válvulas.
6. Las burbujas indican una fuga de gas.

Si encuentra una fuga

1. Apriete cada unión que pueda estar suelta.
2. Cierre inmediatamente la válvula del suministro de gas si la fuga no puede detenerse y desconéctela.
3. Lleve la parrilla a ser revisada por un instalador certificado o distribuidor.
4. No utilice la parrilla hasta que la fuga haya sido resuelta.



¡PELIGRO!

- No utilice nunca una llama abierta para comprobar si hay fugas de gas. Las chispas o las llamas pueden provocar un incendio, una explosión, daños materiales, lesiones físicas graves o la muerte.
- Utilice únicamente el regulador de presión y la manguera suministrados con la parrilla, o uno de conformidad con los códigos locales.

Funcionamiento

Encender la parrilla

¿Está a punto de estrenar su parrilla? Realice un quemado inicial

Retire la parrilla calentadora y encienda quemadores principales por 30 minutos en llama alta. Es normal que la parrilla emita un olor la primera vez que se enciende, sin embargo esto no vuelve a suceder. Este olor es causado porque las pinturas internas y los lubricantes utilizados en el proceso de fabricación se queman.



¡ADVERTENCIA!

- No ponga en funcionamiento el quemador trasero o lateral mientras realice una combustión.

Quemador principal

- Tapa de parrilla abierta.
- Empuje la perilla del quemador principal y gire lentamente en dirección contraria a las manecillas del reloj hasta quedar en la posición de llama alta y el piloto se encienda. Continúe presionando la perilla hasta que el quemador prenda fuego y luego suelte.
- Si el piloto no enciende, regrese la perilla a la posición de apagado al girar en sentido de las manecillas del reloj y repita el paso 2.
- Si el piloto y el quemador no encienden en 5 segundos, regrese la perilla a la posición de apagado al girar en sentido de las manecillas del reloj. Espere 5 minutos o hasta que el gas se haya disipado. Repita los pasos 2 y 3. Si aún no funciona, encienda con un fósforo. **(Fig. 6).**



¡ADVERTENCIA!

- No use el quemador posterior cuando el quemador principal está encendido.

Quemador posterior (si está equipado)

- Abra la cubierta de la parrilla.
- Retire la rejilla de calentamiento.
- Presione y lentamente gire la perilla del quemador posterior en dirección contraria a las manecillas del reloj hasta llegar a la posición de llama alta.
- Mantenga presionado el botón de ignición hasta que el quemador se haya encendido.
- Si el quemador no enciende, regrese la perilla a la posición de apagado, espere 5 minutos y repita el paso 3 y 4. **(Fig. 6).**

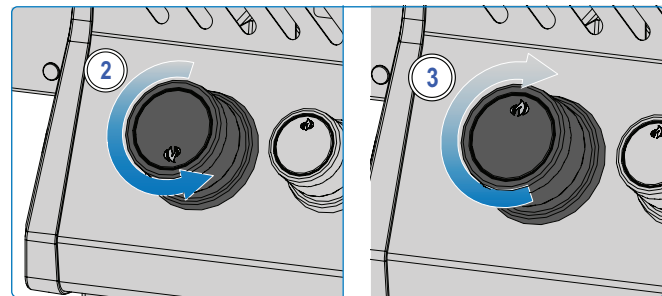
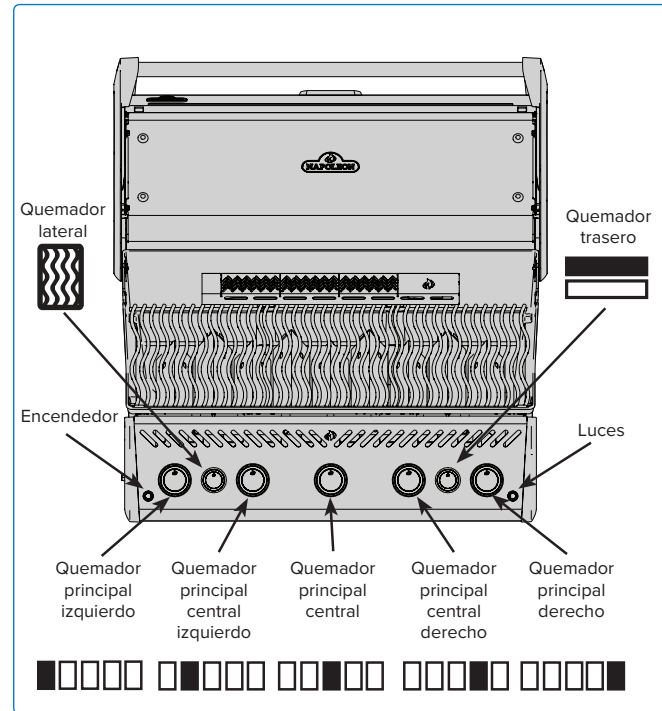


Fig. 6

Quemador lateral (si está equipado)

1. Abra la cubierta de la parrilla.
2. Presione y lentamente gire la perilla del quemador lateral en dirección contraria a las manecillas del reloj hasta llegar a la posición de llama alta.
3. Mantenga presionado el botón de ignición hasta que el quemador se haya encendido.
4. Si el quemador no enciende, regrese la perilla a la posición de apagado, espere 5 minutos y repita el paso 2 y 3. **(Fig. 7).**

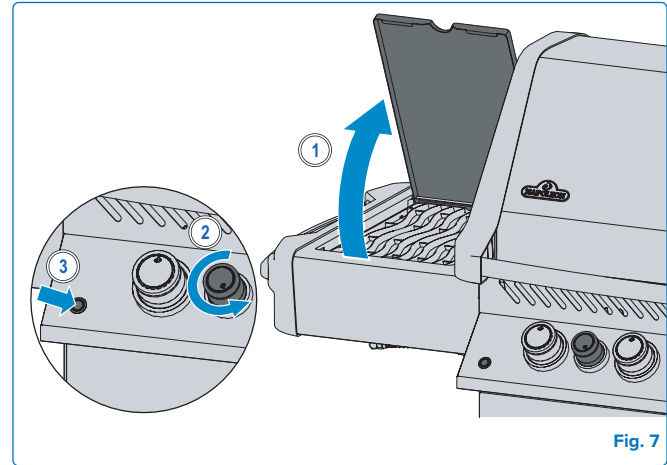


Fig. 7

Encendido con fósforo

1. Coloque el fósforo en la varilla incluida.
2. Inserte el fósforo encendido entre las rejillas y las placas sobre los quemadores mientras gira la perilla correspondiente a la posición de llama alta. **(Fig. 8).**

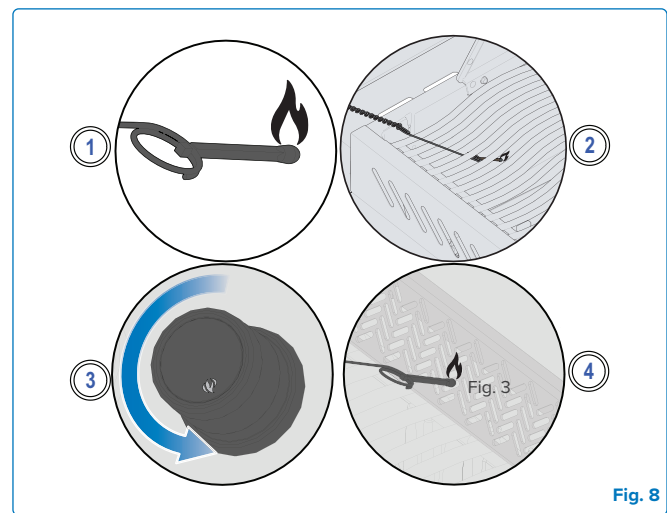
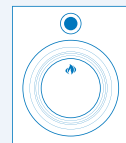


Fig. 8

¡ADVERTENCIA!

- Asegúrese que todas las perillas de los quemadores están en la posición OFF antes de abrir lentamente la válvula de suministro de gas.
- Siga atentamente las instrucciones de encendido.
- Asegúrese de que la tapa del grill está ABIERTA mientras se enciende.
- No ajuste las rejillas de cocción mientras el grill esté caliente o en funcionamiento.
- Limpie regularmente la grasa de todo el aparato, incluyendo la bandeja recogedora de grasa y las placas de cocción, para evitar que se acumule y se produzcan incendios.



Instrucciones para asar a la parrilla

Uso del quemador principal

- Precaliente la parrilla antes de colocar los alimentos. Para esto opere el quemador principal con la llama alta y la tapa cerrada por aproximadamente 10 minutos.
- La comida que se cocina por periodos cortos de tiempo como lo es el pescado y los vegetales pueden asarse con la tapa abierta.
- Asar con la tapa cerrada es la manera de asegurar altas y consistentes temperaturas para lograr un asado parejo al mismo tiempo que reduce el tiempo de cocción.
- Las rejillas deben humedecerse con aceite antes de precalentar la parrilla. Esto evita que la carne se adhiera a la parrilla, especialmente cuando se asa carne magra como pechugas de pollo o puerco.
- Los cortes que toman más de 30 minutos como los rostizados se pueden cocinar indirectamente con el quemador opuesto encendido. Vea Asado Indirecto
- Recorte el exceso de grasa de la carne para evitar llamaradas, o reduzca la temperatura de la parrilla.
- En caso de llamaradas, retírese del fuego y baje la llama para tratar de reducir la temperatura. Deje la tapa abierta.

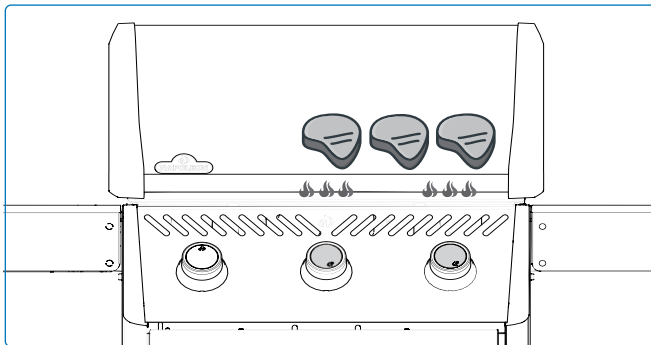
Asado directo

Este método se usa para sellar cortes de carne o cocinar alimentos que requieren de un corto tiempo de exposición al fuego como las hamburguesas, filetes, pollo o verduras.

Coloque la comida directamente en la rejilla sobre el quemador que está encendido.

Selle la carne primero para retener más jugo y sabor.

Baje la llama para terminar de cocinar de acuerdo a su preferencia.



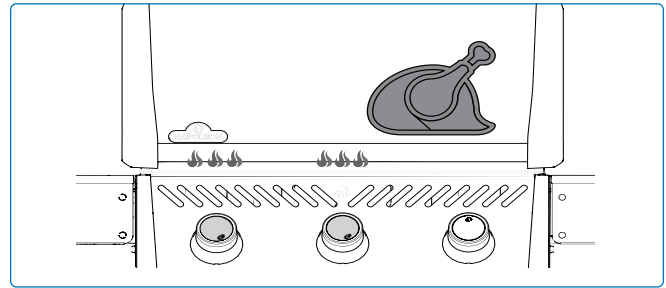
¡PELIGRO!

- Nunca cocine alimentos directamente sobre el quemador lateral de la llama. Está diseñado para su uso con ollas y sartenes.
- No cierre la tapa del quemador lateral mientras esté en funcionamiento o caliente.
- No deje alimentos desatendidos en ningún quemador encendido.
- No fría alimentos en el quemador lateral. Cocinar con aceite puede ser peligroso.
- Limpie regularmente la grasa de todo el aparato, incluyendo la bandeja recoge-grasa y las placas de cocción, para evitar que se acumule y se produzcan incendios por grasa.

Asado indirecto

Este método utiliza bajas temperaturas circulando el calor de manera constante para que los alimentos se cocinen lenta y uniformemente. Emplee este método con cortes de carne grandes o propensos a causar llamaradas como cuando asa o rostiza pollo o pavo.

Posiciona la comida a un lado de la parrilla y enciende el o los quemadores del lado contrario de forma que los alimentos no estén directamente sobre el fuego. Cocine a bajas temperaturas, por tiempos más largos y con la tapa de la parrilla cerrada para obtener cortes más tiernos y suaves.



Quemador lateral range (si está equipado)

Este quemador se puede usar como el de una estufa para cocinar gravy, sopas u otros guisos. Se recomienda utilizar sartenes de 10" (25 cm) de diámetro. El desempeño del quemador se verá afectado si está expuesto a ráfagas de viento. Procure colocar la parrilla donde esté protegida del viento.

Quemador lateral infrarrojo (si está equipado)

Para su funcionamiento, siga las instrucciones de "encendido del quemador lateral". El calor infrarrojo proporciona una zona de cocción uniforme para dorar los alimentos cuando está ajustado a alto. Algunos modelos de quemadores laterales tienen una rejilla de cocción ajustable en altura.

Asar a la parrilla por la noche (si está equipado)

- Ilumine los mandos de control pulsando el icono de la bombilla en el panel de control.
- Los modelos Rogue PRO cuentan con perillas de control iluminadas en blanco.
- Los modelos Rogue PRO-S están equipados con un sistema de iluminación que responde a la posición de los mandos de control. Cuando un quemador está en funcionamiento, el mando de control correspondiente se ilumina en rojo, mientras que el resto permanece en azul.



CONSEJOS DE LOS EXPERTOS!

Añada un accesorio Napoleon a su parrilla para aromatizar la carne.



CONSEJOS DE LOS EXPERTOS!

Utilice un termómetro para comprobar la temperatura interna de la carne y asegurar una cocción perfecta.

Cómo rostizar usando el quemado posterior

Asador eléctrico giratorio (si está equipado)

Nota: Retire las rejillas superiores antes de comenzar. El calor excesivo puede dañar las rejillas.

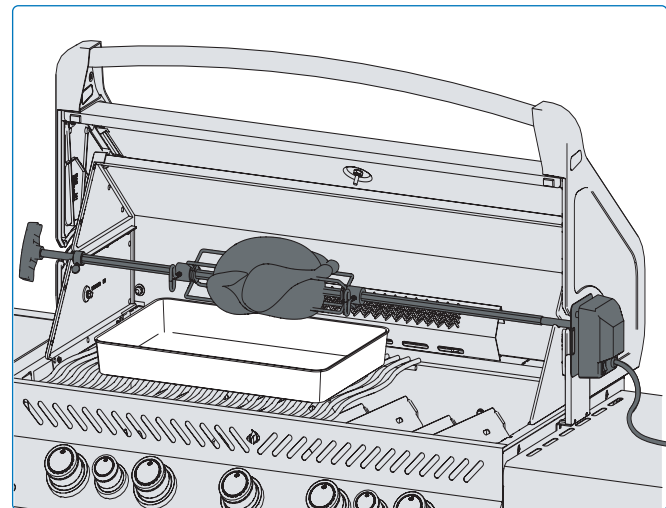
1. Instale el motor del asador en el costado de la parrilla utilizando los soportes aplicables (algunos modelos tienen soportes premontados).
2. Una vez que el soporte haya sido fijado a la parrilla, deslice el motor sobre el soporte.
3. Deslice el primer tenedor del asador en la varilla y ajústelo en su lugar. Inserte la carne que va a cocinar en la varilla y empujela hasta insertarla en el tenedor. Deslice el segundo tenedor por la varilla y empujelo en la carne. Apriete los tenedores para que queden inmóviles en la varilla.
4. Inserte un extremo de la varilla en el motor del asador y coloque el extremo opuesto sobre las perchas las perchas de la parrilla. El lado pesado de la carne colgará naturalmente para equilibrar la carga.
5. Deslice el casquillo de tope sobre la barra de asador, esto evitará movimientos laterales mientras cocina.
6. Apriete el casquillo de tope y el mango 'T' en la varilla. Coloque un platón o charola metálica debajo de la carne para recolectar el goteo de grasa y comience a cocinar.



¡IMPORTANTE! Siempre use guantes protectores al manipular componentes de la parrilla.

Consejos sobre el uso del asador:

- Haga funcionar el quemador trasero a fuego alto hasta que la carne se dore. Reduzca el fuego. Mantenga la tapa cerrada.
- Utilice un termómetro para comprobar la temperatura interna de la carne.
- Los asados y las aves deben dorarse por fuera y estar tiernos por dentro.
- Utiliza los jugos para untar y hacer la salsa.
- Un pollo de 3 libras tarda aproximadamente 1 ½ horas de media a alta temperatura.
- Tenga en cuenta la capacidad del motor de su asador. Nunca sobrecargue el equipo.
- Asegúrese de poner siempre una carga equilibrada equilibrada en el asador.



¡ADVERTENCIA!

- Desmonte los componentes del asador cuando termine de cocinar, lávelos con agua tibia jabonosa y guárdelos bajo techo.
- No utilice nunca una bombona de gas que esté llena más del 80%.
- Utilice guantes resistentes al calor cuando manipule los componentes calientes del asador.
- Desconecte el enchufe del asador de la toma de corriente cuando no esté en uso.

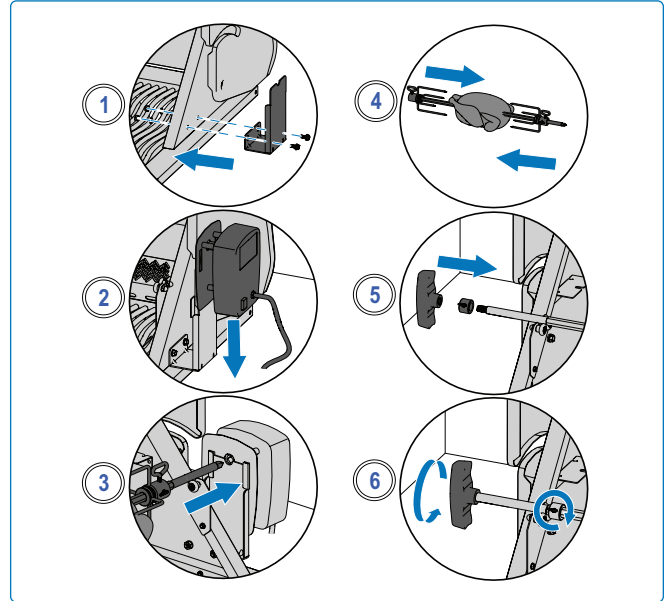


¿SABÍAS QUE?

Puede retirar las rejillas de cocción si interfieren con la cocción de cortes de carne más grandes.

¿Cómo cocinar varios pollos?

1. Ate o ensarte las alas al cuerpo de los pollos.
2. Deslice uno de los tenedores para asar en la varilla.
3. Enrosque el primer pollo en la varilla del asador hasta que quede sujeto en el tenedor del asador. Apriete.
4. Enrosque los 2 pollos siguientes en la varilla de modo que todos los pollos queden juntos.
5. Deslice el segundo tenedor de asar en la varilla de asar y empuje en el pollo hasta que los 3 pollos estén bien apretados. Apriete.



Lista para lograr las mejores parrilladas

Consulta esta lista cada vez que cocines a la parrilla

- Lea el manual de usuario**
Asegúrese de haber leído el manual de usuario y todas las instrucciones de seguridad.
- Limpie la bandeja para recoger la grasa**
Asegúrese de limpiar la bandeja recogegrasa antes de asar para evitar incendios y llamaradas.
- Compruebe la manguera**
Asegúrese de que la parrilla está apagada y fría. Compruebe si la manguera presenta abrasiones excesivas o cortes. Si la manguera está dañada, sustitúyala antes de utilizar la parrilla.
- Pre caliente y limpie las rejillas**
Cubra las rejillas con manteca vegetal y pre caliente la parrilla para quemar el exceso de residuos y evitar que se peguen. Limpie las rejillas de hierro fundido con un cepillo de alambre de latón y las rejillas de acero inoxidable con un cepillo inoxidable. Consulte las "Instrucciones de limpieza".
- Mi área está lista para cocinar**
Asegúrese que todo lo que necesite para asar, como: utensilios, condimentos, salsas y platos, esté a tu alcance. No dejes la comida desatendida, o podría quemarse.
- La tapa sólo se abre una vez.**
Intenta no abrir la tapa y mirar demasiado, o el calor se escapará y alterará la temperatura y los tiempos de cocción. Dale la vuelta a la comida sólo una vez, especialmente al filete y al pollo.
- La carne está bien espaciada**
Deje espacio en la parrilla y entre los alimentos para poder moverlos si es necesario.
- La temperatura es apropiada**
Utilice un termómetro para asegurarse de que los alimentos estén bien cocinados. Siga las directrices sobre las temperaturas adecuadas para todos los tipos de carne, especialmente las aves.



NOTA: Las parrillas de acero inoxidable resistentes a la corrosión y requieren menos mantenimiento que las de hierro fundido.



¡CONSEJO DE LOS EXPERTOS!

Descubra recetas inspiradoras y técnicas de asado en los libros de cocina de Napoleón o visite www.napoleon.com.



¡CONSEJO DE LOS EXPERTOS!

Pre caliente siempre la parrilla antes de cocinar para quemar los restos y evitar que los alimentos se peguen a la rejilla.



SUGERENCIA DE ACEITE Y GRASA

Aceite de semilla de uva
Aceite de girasol
Aceite de soja
Aceite de oliva extra virgen
Aceite de canola

Si no está disponible, seleccione un aceite o grasa que tenga un punto de humo alto. No utilice grasas saladas como mantequilla o margarina.



¡PRECAUCIÓN!

Cómo sazonar las parrillas de hierro fundido








Este procedimiento **DEBE** realizarse antes del primer uso y repetirse cada 3-4 usos para mantener las rejillas como nuevas.

1. Retire las rejillas de hierro fundido de la parrilla.
2. Lávelas con agua jabonosa tibia y un paño suave. Seque las rejillas y deje que se sequen completamente.
3. Aplique grasa/aceite uniformemente con un cepillo de silicona por ambos lados.
4. Pre caliente el aparato a 350 °F - 400 °F (176 °C - 204 °C).
5. Instale las rejillas de cocción y cocine durante 30 minutos.
6. Aplique una segunda capa uniforme de grasa/aceite en las rejillas de cocción y siga cocinando durante 30 minutos más.
7. Las parrillas ya están sazonadas.



NOTA: Si se ha formado óxido en las rejillas de hierro fundido, elimínelo con un estropajo o un cepillo de latón y repita el proceso de sazonado.

Guía de cocción infrarrojo

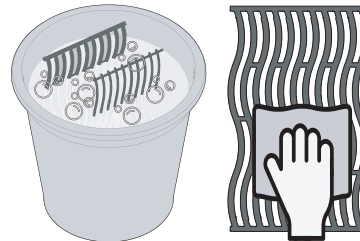
Tipo de alimento	Posición de la perilla	Tiempo de cocción	Sugerencias
 Filete de res Grosor: 1 pulgada (2.54 cm)	ALTO 2 minutos por cada lado.	Crudo – 4 minutos	Pida cortes de grasa veteadada. La grasa es un suavizante natural y conserva la carne jugosa.
	ALTO a MEDIO A fuego alto por 2 min. por lado, luego reducir a fuego medio.	Tres cuartos – 6 minutos	
		Bien cocido – 8 minutos	
 Hamburguesa Grosor: ½ pulgada (1.27 cm)	ALTO 2 minutos por lado.	Crudo – 4 minutos	Mantenga el grosor de la hamburguesa consistente para asegurar el mismo tiempo de cocción. Hamburguesas de una o más pulgadas de grosor deben cocinarse usando fuego indirecto.
	ALTO 2 ½ minutos por lado.	Tres cuartos – 5 minutos	
	ALTO 3 minutos por lado.	Bien cocido – 6 minutos	
 Pollo	ALTO, MEDIO, BAJO mantener a fuego alto por 2 minutos de cada lado, después bajar el fuego a nivel medio-bajo o bajo.	20 – 25 minutos	Haga un corte parcial de 3/4 en la unión del cuerpo y el muslo de manera que todo el pollo esté sobre el quemador y se cocine uniformemente.
 Chuletas de cerdo	MEDIO	6 minutos por lado	Elija cortes gruesos para tener carne más suave. Recorte el exceso de grasa.
 Costillas	ALTO a BAJO Fuego alto por 5 minutos, después mantener en fuego bajo hasta que la carne termine de cocinarse.	20 minutos por lado volteando repetidamente	Elija costillas de carne magra. Cocine hasta que la carne se desprenda fácilmente del hueso.
 Chuletas de cordero	HIGH to MEDIUM Fuego alto por 5 minutos, después mantener en fuego medio hasta que la carne termine de cocinarse.	15 minutos por lado	Elija cortes gruesos para tener carne más suave. Recorte el exceso de grasa.
 Hot dogs	MEDIO a BAJO	4 – 6 minutos	Seleccione salchichas largas y realice un corte parcial a lo largo antes de colocarlas en la parrilla.

Estas son sólo guías generales. Consulte las recomendaciones de las autoridades sanitarias para obtener información más detallada.

Instrucciones de limpieza

Antes de usar por primera vez

1. Lave las rejillas a mano con agua enjabonada para remover cualquier residuo dejado por el proceso de manufactura. **NO LAVAR** en lavavajillas.
2. Enjuague completamente con agua caliente y seque usando un limpiador de tela suave para prevenir que el hierro absorba la humedad.

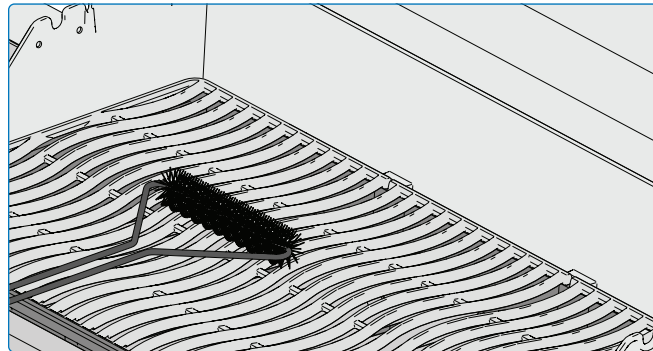


Rejillas de hierro fundido

- Cure las rejillas de la parrilla para protegerlas y evitar corrosión. Vea **“Cómo curar su parrilla”**.

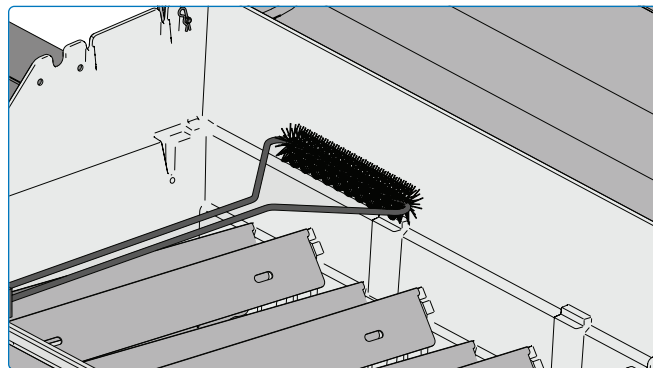
Rejillas de acero inoxidable

- Las rejillas de acero inoxidable se limpian al precalentar la parrilla y al usar un cepillo de cerdas metálicas para remover residuos.
- Con el tiempo y uso frecuente, las rejillas de acero inoxidable presentarán una decoloración debido a las altas temperaturas a las que se exponen cada vez que cocina. Esto es normal.



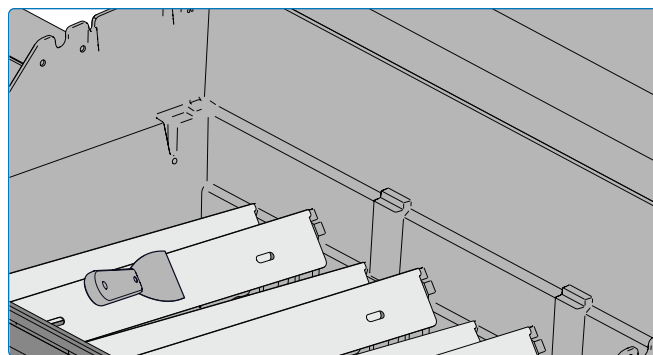
Quemador lateral infrarrojo

- La mayoría de las partículas de comida que caen en el quemador infrarrojo se incineran inmediatamente debido a la alta intensidad del calor.
- Nunca limpie la cerámica con un cepillo metálico.
- No use agua u otros líquidos para limpiar el quemador. Un cambio drástico o repentino en la temperatura causará fracturas en la cerámica.
- Encienda el quemador y déjelo operar a nivel alto por 5 a 10 minutos para remover cualquier residuo.



Dentro de la parrilla

1. Retire las rejillas.
2. Cepille las paredes y el interior de la tapa con un cepillo de cerdas metálicas.
3. Talle las placas de los quemadores con una espátula. Luego utilice el cepillo de cerdas metálicas para remover las cenizas.
4. Retire las placas y sacuda el residuo de comida y la basurilla de los quemadores usando un cepillo metálico
5. Todos los residuos o basurilla que limpie, sacude o talle deben caer en la bandeja colecta-grasa.



DANGER !

- Utilice siempre guantes protectores y gafas de seguridad cuando limpie la parrilla.
- La limpieza sólo debe realizarse cuando la parrilla esté fría para evitar quemaduras.
- La grasa acumulada es un peligro de incendio.

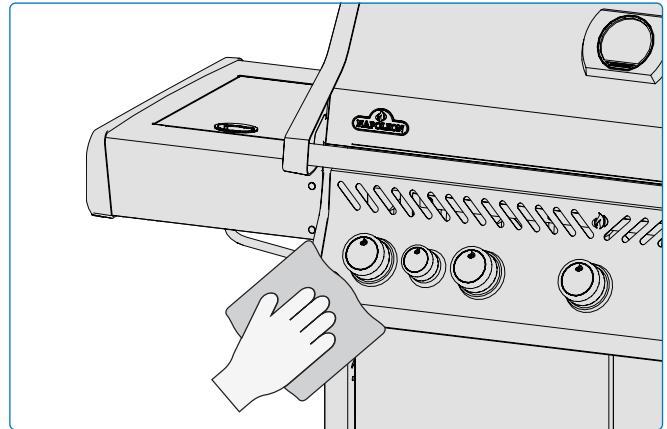
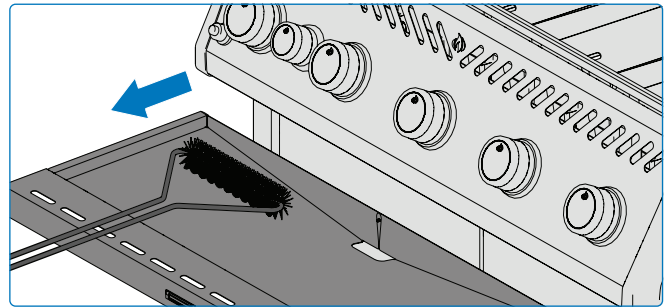
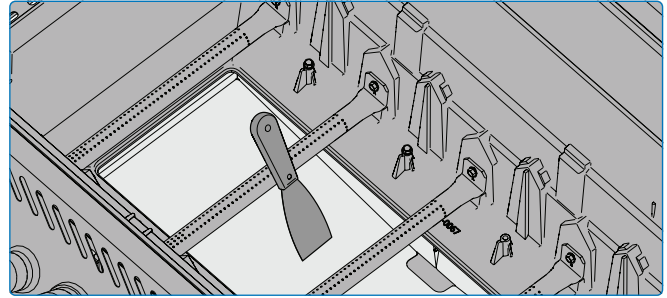
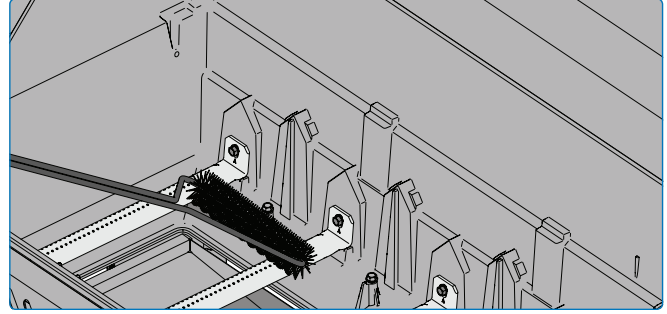
Bandeja para recolectar grasa

Cada parrilla, quemador lateral o quemador Drop-in tienen una bandeja para grasa correspondiente que es de fácil acceso por puertas y aperturas.

- El exceso de grasa y jugo que se genera cuando cocina cae en la bandeja que está debajo de los quemadores y se acumula en el contenedor desechable debajo de la bandeja. (si aplica)
- Sólo utilice forros aprobados por Napoleon para cubrir la bandeja. Nunca use papel aluminio, arena, carbón o cualquier otro material no aprobado. Esto puede ocasionar que la grasa no fluya adecuadamente.
- Limpie frecuentemente la bandeja para evitar acumulamientos excesivos de grasa. Se recomienda limpiarla cada 4 o 5 usos.

Pasos para limpiar la bandeja:

1. Después de haber limpiado el interior de la parrilla, saque la bandeja deslizándola de su lugar.
2. Talle la bandeja con una espátula.
3. Deseche el contenedor con grasa y residuos acumulados y reemplácelo cada 2 a 4 semanas, dependiendo de su uso. (si aplica)
4. Siempre acuda a su distribuidor Napoleon por repuestos y accesorios.



Panel de control

Únicamente utilice agua enjabonada. Hay texto impreso directamente en el panel de control y pueden desaparecer gradualmente si se usan limpiadores demasiado agresivos. Realizar una limpieza adecuada del panel de control asegurará que el texto permanezca claro y legible por más tiempo.

Fundiciones de aluminio

Limpiar con agua enjabonada. El aluminio no se corroe, sin embargo las altas temperaturas y la erosión pueden causar puntos de oxidación que parecen manchas blancas. Vea las **“Instrucciones de mantenimiento”** para más información sobre cómo prevenir la oxidación en aluminio.

Outside Grill Surface

- Utilice únicamente un limpiador no abrasivo. Los limpiadores abrasivos o la lana de acero rayarán el acabado.
- Limpie siempre en el sentido de la veta.
- Manipule los componentes de porcelana esmaltada con cuidado.
- El acabado esmaltado al horno es similar al vidrio y se astilla si se golpea.
- Las piezas de acero inoxidable se decoloran con el tiempo cuando se calientan y adquieren un tono dorado o marrón. Esto es normal y no afectará al rendimiento de la parrilla.



¡ADVERTENCIA!

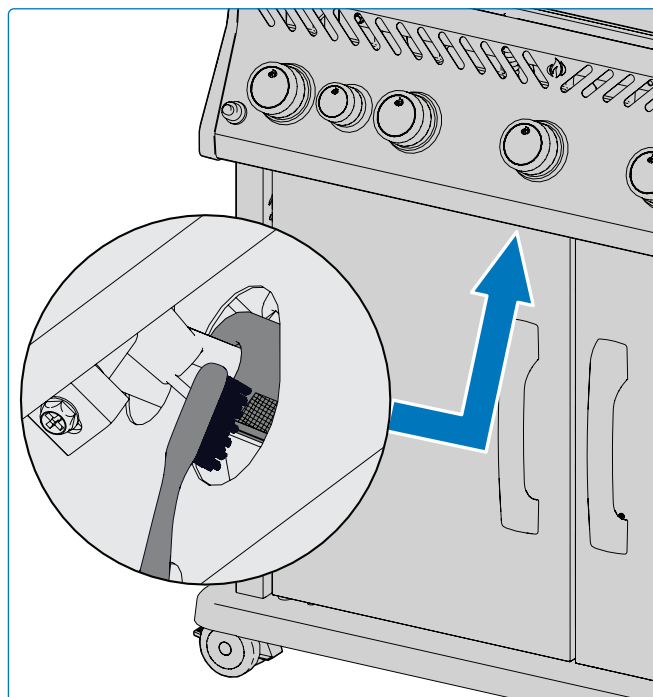
- Asegúrese de que todos los quemadores estén apagados y que el grill esté frío antes de limpiarlo. No utilice limpiador de hornos para limpiar ninguna parte de la parrilla.
- No coloque las rejillas de cocción ni ninguna otra parte de la parrilla en un lavavajillas. Limpie la parrilla en una zona donde la solución limpiadora no dañe las terrazas, el césped o los patios.
- La salsa de barbacoa y la sal pueden ser corrosivas y deteriorar rápidamente los componentes de la parrilla si no se limpian con regularidad.

Telarañas e insectos en los quemadores

Las arañas y los insectos se sienten atraídos por los espacios pequeños. Los quemadores están equipados con una malla contra insectos en el obturador de aire. Esto reduce la probabilidad de encontrar nidos de insectos dentro de los quemadores, sin embargo no resuelve el problema.

Un nido o acumulación de telarañas pueden ocasionar que la llama se torne de color amarillo o anaranjado, y puede causar un incendio o fognazo hacia el interior del quemador o hacia el obturador de aire debajo del panel de control.

1. Retire el (los) tornillo(s) que sujeta(n) el quemador a la pared posterior de la parrilla. Deslice el quemador hacia atrás y hacia arriba para retirarlo.
2. Utilice un cepillo flexible de tubo Venturi para limpiar el interior del quemador.
3. Sacuda los residuos sueltos del quemador a través de la entrada de gas.
4. Compruebe que los orificios del quemador y los orificios de la válvula no estén obstruidos: los orificios del quemador pueden cerrarse con el tiempo debido a los restos de la cocción y a la corrosión.
5. Utilice un clip abierto o la broca de mantenimiento de orificios suministrada para limpiar los orificios del quemador.
6. Taladre los orificios obstruidos utilizando la broca suministrada en un taladro inalámbrico pequeño: esto se puede hacer con el quemador conectado a la parrilla, pero es más fácil si se retira de la parrilla.
7. No flexione la broca al taladrar los orificios porque se romperá.
8. Esta broca es para los puertos del quemador NO para los orificios de latón que regulan el flujo de gas al quemador.
9. No agrande los orificios
10. Asegúrese de que la rejilla antiinsectos esté limpia, ajustada y libre de pelusas u otros residuos.
11. Invierta el procedimiento para volver a instalar el quemador.
12. Asegúrese de que la válvula entra en el quemador al instalarlo.
13. Vuelva a colocar el soporte de la placa de cierre y apriete los tornillos para completar la reinstalación.



¡PELIGRO!

- Es muy importante que la válvula/orificio entre en el tubo del quemador cuando vuelva a instalar el quemador después de limpiarlo y antes de encender su parrilla, o podría producirse un incendio o una explosión.
- Evite el contacto sin protección con superficies calientes.
- No utilice limpiadores abrasivos ni estropajos de acero en ninguna parte pintada, de porcelana o de acero inoxidable de su parrilla porque rayará el acabado.



¡LA SEGURIDAD PRIMERO!

Utilice siempre guantes protectores y gafas de seguridad cuando realice el mantenimiento de su parrilla.

Instrucciones de mantenimiento

RECOMENDACIONES

Se debe realizar un mantenimiento completo anualmente por personal calificado.

- No obstruya el flujo de la ventilación y la combustión del aire en ningún momento.
- Las aperturas de ventilación a los laterales del carro de la parrilla y en la parte frontal y trasera del estante inferior deben mantenerse siempre libres de basura u obstrucciones.

Combustión en el ajuste de aire



¡IMPORTANTE! Esto debe hacerlo un instalador de gas calificado.

- El obturador de aire viene ajustado de fábrica y no debería ser necesario ajustarlo en condiciones normales. Es posible que sea necesario ajustarlo en condiciones de campo extremas.
- Las llamas del obturador de aire serán de color azul oscuro, con puntas azul claro y ocasionalmente amarillas cuando se ajustan correctamente.
- Demasiado poco flujo de aire al quemador producirá hollín y llamas amarillas perezosas.
- Demasiado flujo de aire al quemador hará que las llamas se eleven erráticamente y causará dificultades de encendido.

Ajustar en obturador de aire

1. Retire las rejillas y las placas de cocción. Deje la tapa abierta.
2. Es posible que tenga que abrir la puerta del armario o retirar el cajón superior (si está equipado) para acceder al tornillo del obturador de aire situado en la boca del quemador.
3. Retire la tapa trasera para ajustar el obturador de aire del quemador de tubo trasero.
4. Afloje el tornillo de bloqueo del obturador de aire y abra o cierre el obturador de aire según sea necesario. **(Fig. 9)**
5. Encender los quemadores a fuego alto.
6. Controlar visualmente la llama de los quemadores.
7. Apague los quemadores, apriete los tornillos de bloqueo y vuelva a colocar las piezas desmontadas cuando los obturadores estén ajustados correctamente.
8. Ensure insect screens are installed.

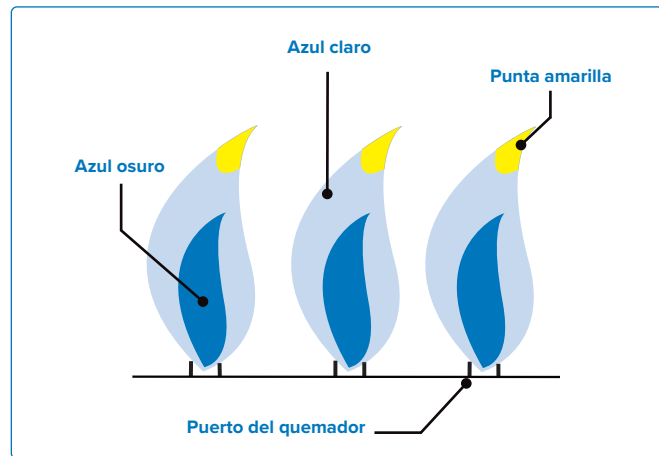


NOTA: Los quemadores infrarrojos no tienen regulación de aire.



¡ADVERTENCIA!

- Mantenga la parrilla alejada de materiales combustibles, gasolina y otros vapores y líquidos inflamables.



Ajustes del obturador de aire		
Quemador de tubo principal	Propano	Gas natural
R425		
R525		
R625		
RP425		
RP525	1/2" (13 mm)	3/8" (10 mm)
RP625		
RPS425		
RPS525		
RPS625		

Fig. 9



¡QUEREMOS AYUDAR!

Póngase en contacto con el departamento de soluciones al cliente de Napoleon para obtener las piezas de repuesto recomendadas 1-866-820-8686.

Acero inoxidable en condiciones adversas

El acero inoxidable se oxida o mancha en presencia de cloruros y sulfuros, especialmente en regiones costeras, zonas cálidas y muy húmedas, y alrededor de piscinas y jacuzzis. Estas manchas parecen óxido, pero pueden eliminarse o prevenirse fácilmente. Lave las superficies inoxidable y cromadas cada 3-4 semanas. Limpie con agua tibia y jabón.

Los quemadores

- El calor extremo y la exposición a sustancias abrasivas pueden generar corrosión en la superficie aún cuando el quemador está hecho de acero inoxidable grado 304.

Mantenimiento y protección de los quemadores de infrarrojos

Sus quemadores de infrarrojos están diseñados para ofrecer una larga vida útil, pero debe tener cuidado para evitar que se agrieten sus superficies cerámicas. Las fracturas provocarán el mal funcionamiento de los quemadores.



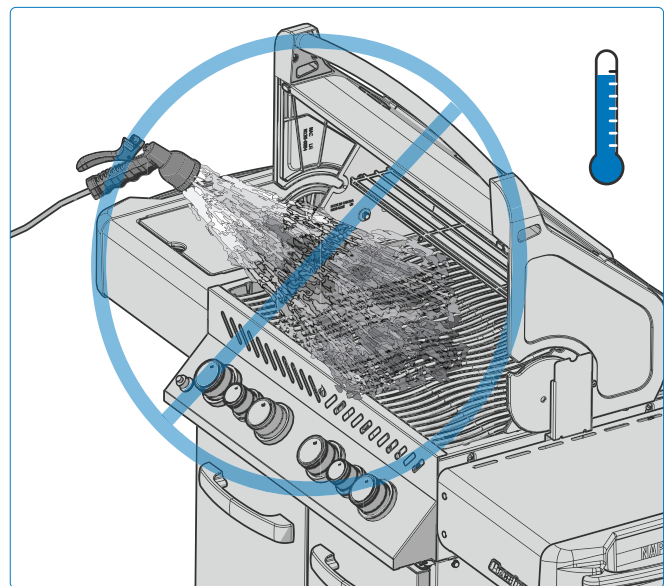
¡IMPORTANTE! El daño causado por no seguir estas instrucciones NO está cubierto por la garantía de esta parrilla.

Liquidación ventilación de aire caliente

- El aire caliente debe poder salir de la parrilla para que los quemadores funcionen correctamente.
- Los quemadores pueden verse privados de oxígeno si no se permite que escape el aire caliente, lo que hace que parpadeen. Si esto ocurre repetidamente, la cerámica se fracturará.

¿Cómo evitar dañar las superficies de cerámica?

1. Nunca apague el fuego o trate de controlar una llamarada con agua.
2. No permita que el agua fría (lluvia, aspersores, mangueras, etc) entre en contacto con los quemadores de cerámica calientes. El cambio inmediato de temperatura puede causar grietas en la cerámica.
3. Encender un quemador de cerámica mojado causará que se levante vapor y producirá presión que fracturará la cerámica.
4. Remojar la cerámica repetidamente ocasionará que se expanda produciendo presión que hará que la cerámica se rompa y/o quiebre.
5. Si encuentra agua en la base de la parrilla, revise que la cerámica no se haya remojado. Retire el quemador si la cerámica está mojada. Colóquela del revés para que escurra el exceso de agua y luego séquela completamente.
6. No permita que el quemador sea impactado por objetos pesados o duros. Siempre inserte o retire las rejillas con cuidado.



¡PELIGRO!

- Apague el gas en la fuente y desconecte la unidad antes de realizar el mantenimiento.
- El mantenimiento sólo debe realizarse cuando la parrilla esté fría para evitar la posibilidad de quemaduras.
- Debe realizarse una prueba de fugas anualmente y cuando se sustituya cualquier componente del tren de gas, o cuando haya olor a gas.



¡LA SEGURIDAD PRIMERO!

Nunca cubra más del 75% de la superficie de cocción de cualquier quemador principal o lateral con ningún metal sólido (por ejemplo, planchas o sartenes)

Solución de problemas

Problemas en el encendido

- El quemador principal, posterior, o lateral no encienden con la ignición, pero sí con un fósforo.
- No pasa la llama de un quemador a otro al encenderse.

	Posibles causas	Solución
Quemador principal	La salida de JETFIRE™ está sucio u obstruido.	Limpie la salida del JETFIRE™ con un cepillo suave.
	El soporte de encendido cruzado está sucio o corroído.	Limpie o reemplace según sea necesario.
Quemadores laterales y posteriores	Lifting flames on burner.	Cierre el obturador del aire de acuerdo con las instrucciones de mantenimiento de este manual. ¡IMPORTANTE! Esto debe ser realizado por personal calificado.
	Cable de electrodo está suelto o en la terminal incorrecta.	Verifique que el cable del electrodo esté firmemente presionado sobre la terminal en la parte posterior de la ignición. Verifique que los cables conducen del módulo al interruptor de encendido (si está equipado) y que estén firmemente presionados en sus respectivas terminales.
	Batería agotada o instalada incorrectamente..	Reemplace con una batería Premium de alta resistencia. (Fig10).

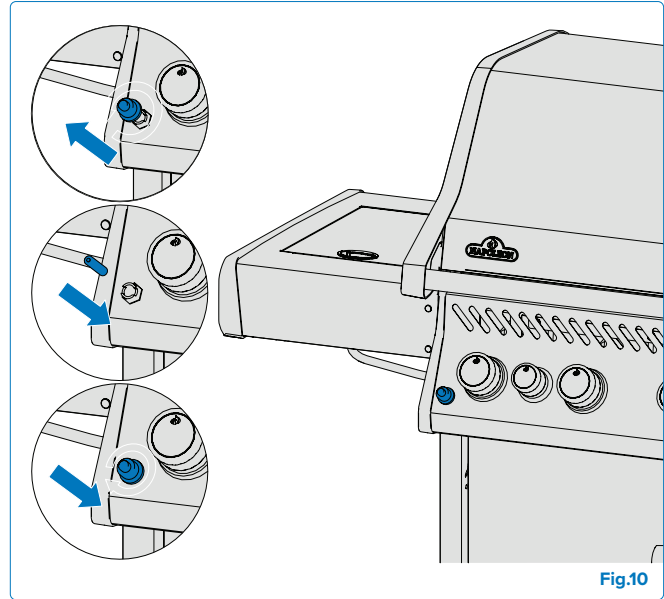


Fig.10

Ruidos y llamaradas



¡QUEREMOS AYUDAR!

Napoleon está aquí para garantizar que su experiencia a la parrilla sea memorable. Póngase en contacto con nosotros si necesita ayuda adicional.



¡REGISTRE SU PARRILLA!

Napoleon is here to ensure that your grilling experience is memorable. Please contact us if you need additional assistance.

- Zumbido del regulador.
- Llamadas excesivas y calor desigual.

Posibles causas	Solución
Zumbido normal ruido en días calurosos.	Esto no es un defecto. Es causado por vibraciones internas en el regulador y no afecta el rendimiento o la seguridad de la parrilla de gas. Los reguladores que zumban NO SERÁN reemplazados.
La válvula del cilindro se abrió demasiado rápido.	Abra la válvula del cilindro lentamente.
Placas del quemador instaladas incorrectamente.	Asegúrese de que las placas del quemador estén instaladas con los agujeros hacia el frente y las ranuras en la parte inferior. Consulte la guía de ensamblaje.
Calentamiento inadecuado.	Pre caliente la parrilla con todos los quemadores principales a temperatura alta durante 10-15 minutos.
Excesiva acumulación de grasa y cenizas en las placas de cocción y en la bandeja de goteo.	Limpie las placas y la bandeja para la grasa regularmente. No cubra la bandeja con papel aluminio. Consulte las “instrucciones de limpieza” .

Flujo de gas

- La llama está baja o la parrilla no se calienta cuando se tiene en posición alta.
- Las llamas se alejan del quemador, hay olor a gas y no se encienden fácilmente.
- Las llamas son de color amarillo, y hay olor a gas.
- La salida del quemador está en alto, pero la configuración es baja. Hay un ruido retumbante y llamas azules ondeantes en la superficie del quemador.

Posibles causas	Solución
Propano: procedimiento de encendido incorrecto.	Ensure lighting procedure is followed carefully. All gas valves must be in the OFF position when the tank valve is turned on. Turn tank on slowly to allow pressure to equalize. See Operation – "Lighting Instructions" .
Gas natural: línea de suministro insuficiente.	La tubería debe dimensionarse de acuerdo con el código de instalación.
Fugas en la junta que rodea la baldosa cerámica, o un fallo de soldadura en el alojamiento del quemador.	Deje que el quemador se enfríe e inspecciónelo detenidamente para detectar posibles grietas. Póngase en contacto con su distribuidor autorizado de Napoleon para solicitar un conjunto de quemador de repuesto si se encuentra alguna grieta.
Tanto gas propano como gas natural - precalentamiento inadecuado.	Pre caliente la parrilla con los dos quemadores principales a fuego alto durante 10 ó 15 minutos.
Possible spider web or other debris.	Limpie a fondo el nido o las telarañas del orificio del quemador retirándolo y siguiendo las instrucciones de este manual. Véase “Prueba de fugas” .
Ajuste incorrecto del obturador de aire.	Abra o cierre ligeramente el obturador de aire de acuerdo con este manual. Ver “Instrucciones de mantenimiento” . ¡IMPORTANTE! Esta operación debe ser realizada por un instalador de gas cualificado.
Falta de gas.	Check the gas level in the propane cylinder.
La manguera de suministro está pinzada.	Cambie la posición de la manguera de suministro según sea necesario.
Regulador de propano en estado de flujo bajo.	Apague los quemadores y cierre la válvula del depósito, espere 5 minutos antes de volver a abrir completamente la válvula, deje pasar unos segundos para que la presión se iguale antes de seguir las Instrucciones de Encendido para arrancar el grill. Asegúrese de seguir cuidadosamente el procedimiento de encendido cada vez que cocine. Todas las válvulas de gas deben estar CERRADAS cuando se abra la válvula del depósito. Abra siempre la válvula del depósito lentamente.

Pintura descascarillada

- La pintura parece estar descascarillándose en el interior de la tapa o el capó.

Posibles causas	Solución
Acumulación de grasa en las superficies interiores.	Esto no es un defecto. El acabado de la tapa y la campana es de porcelana o acero inoxidable y no se pela. La descamación se debe a la grasa endurecida, que se seca en fragmentos parecidos a pintura, que se desprenden. La limpieza regular evitará que esto ocurra. Ver “Instrucciones de limpieza” .

El quemador de infrarrojos vuelve a parpadear

- Durante el funcionamiento, el quemador emite bruscamente un fuerte silbido, seguido de un sonido continuo de tipo sopló y se atenúa o tiene una llama grande al arrancar.

Posibles causas	Solución
Baldosas cerámicas sobrecargadas con goteos de grasa y acumulaciones. Puertos obstruidos.	Apague el quemador y deje que se enfríe durante al menos 2 minutos. Vuelva a encender el quemador y queme en ALTO durante al menos 5 minutos o hasta que las baldosas cerámicas brillen uniformemente en rojo.
Quemador sobrecalentado por ventilación inadecuada. Demasiada superficie de la parrilla cubierta por la plancha o la sartén..	Asegúrese de que no más del 75% de la superficie de la parrilla esté cubierta por objetos o accesorios. Apague el quemador y deje que se enfríe durante al menos 2 minutos. Vuelva a encenderlo.
Fugas en la junta que rodea la baldosa cerámica, o un fallo de soldadura en el alojamiento del quemador.	Deje que el quemador se enfríe e inspecciónelo detenidamente para detectar posibles grietas. Póngase en contacto con su distribuidor autorizado Napoleon para pedir un conjunto de quemador de repuesto si se encuentran grietas.
Calentamiento inadecuado.	Precaliente la parrilla con los dos quemadores principales a fuego alto durante 10 ó 15 minutos.
Acumulación excesiva de grasa y cenizas en las placas de cocción y en la bandeja de goteo.	Limpie regularmente las placas y la bandeja de goteo. No cubra la bandeja con papel de aluminio. Consulte las “Instrucciones de limpieza” .

NAPOLEON 15 AÑOS DE GARANTÍA

Para modelos ROGUE® & modelos LEGEND®

Los productos Napoleon están diseñados con piezas y materiales de primera calidad y son ensamblados por expertos artesanos que se toman muy en serio su trabajo. Este producto ha sido rigurosamente inspeccionado por un técnico calificado antes de ser empaquetado y enviado a fin de asegurarle que usted, como cliente, reciba el producto de calidad que espera de NAPOLEON.

Gracias por adquirir un producto de Napoleon. Napoleon (Wolf Steel Ltd, Barrie, ON, Canadá) garantiza que los componentes en su nuevo producto de Napoleon estará libre de defectos de material y construcción desde momento de su compra hasta un periodo de 15 años.



Capucha	15 años
Tapa de acero inoxidable.....	15 años
Tapa esmaltada en porcelana	15 años
Fundiciones de aluminio	15 años
Rejillas para cocinar de acero inoxidable	15 años
Tubos de los quemadores en acero inoxidable	15 años
Placas de sellado en acero inoxidable.....	15 años
Rejillas fundidas en acero esmaltadas en porcelana	15 años
Quemador trasero infrarrojo de acero inoxidable	15 años
Quemador lateral infrarrojo.....	15 años
Todas las demás piezas	15 años

CONDICIONES Y LIMITACIONES DE LA GARANTÍA

Esta garantía voluntaria crea un período de garantía de 15 años para productos adquiridos por medio de un distribuidor autorizado de Napoleon, y le da derecho al comprador original (o al beneficiario del obsequio en caso de que un nuevo producto haya sido otorgado como regalo), en el marco de la cobertura indicada relativa a cualquier pieza reemplazada en el período de garantía, ya sea por NAPOLEON o un distribuidor autorizado del mismo, a reemplazar una pieza de dicho producto que ha presentado fallas en el uso privado normal como resultado de un defecto de fabricación. Esta garantía no contempla accesorios ni elementos extras.

Para mayor certeza, el “uso privado normal” de un producto se refiere a que el producto: ha sido (cuando sea aplicable) instalado por un técnico o contratista autorizado, portador de una licencia, de conformidad con las instrucciones de instalación incluidas con el producto y según todas las normas locales y nacionales de construcción y contra incendios; ha recibo la limpieza y el mantenimiento adecuado de acuerdo a las instrucciones que lo acompañan; y no ha sido usado para fines de servicio comunitario ni comerciales.

En caso de usarse para fines de servicio comunitario o comerciales (cuando sea aprobado), la garantía se reduce a un período de dos (2) años. De igual manera, “falla” no incluye: daños causados por sobrecalentamiento ni por condiciones ambientales como vientos fuertes o ventilación inadecuada, rasguños, abolladuras, corrosión, deterioro de acabados pintados o recubiertos, decoloración causada por el calor, elementos de limpieza abrasivos o químicos o exposición ultravioleta, desportillado de piezas porcelanizadas

o daños causados por mal uso, accidente, granizo, incendios provocados por grasas, falta de mantenimiento, ambientes hostiles como la presencia de sal o cloro, alteraciones, abuso, negligencia o piezas instaladas de otros fabricantes.

Si usted vive en área costera, o mantiene su producto cerca de una piscina o jacuzzi, el mantenimiento debe incluir lavado y enjuagado frecuente de las superficies exteriores como lo indica el manual del usuario que acompaña al producto, para prevenir corrosión de las superficies. Si ocurrieran deterioros de piezas que impidieran que el equipo funcione (completamente oxidadas o quemadas) dentro del plazo de la cobertura de la garantía, se le proporcionará un reemplazo.

Las partes reemplazadas bajo esta garantía están garantizadas sólo por el balance restante del período original de quince (15) años mencionado anteriormente. La pieza de reemplazo es la única responsabilidad de Napoleon, según lo especificado en esta garantía, y en ningún caso NAPOLEON será responsable de la instalación, mano de obra, ni cualquier otro costo o gasto relacionado con la reinstalación de una pieza comprendida en la garantía; ni de daños adicionales, resultantes o indirectos ni de los cargos de transporte, costos de obra ni impuestos de exportación. El uso y/o instalación de partes en su producto de Napoleon que no son genuinas a Napoleon invalidarán esta Garantía, y cualquier daño que resulte de esto no será cubierto por esta garantía. Toda conversión de gas del producto que no haya sido autorizada por Napoleon ni realizada por un técnico autorizado por Napoleon invalidarán esta garantía.

NAPOLEON®

CELEBRATING OVER 40 YEARS
OF DELIVERING HOME COMFORT PRODUCTS

CÉLÉBRATION DE PLUS DE 40 ANS
DE LIVRAISON DE PRODUITS DE CONFORT DOMESTIQUE

CELEBRANDO MÁS DE 40 AÑOS
DE PRODUCTOS DE CONFORT PARA EL HOGAR



NAPOLEON® products are protected by one or more U.S. and Canadian and/or foreign patents or patents pending.

Les produits de NAPOLEON® sont protégés par un ou plusieurs brevets américains, canadiens et/ou étrangers au par des brevets en instance.

Los productos NAPOLEON® están protegidos por una o más patentes o patentes pendientes en E.U., Canadá y/u otros países.



Address

Wolf Steel Ltd.
24 Napoleon Road, Barrie, Ontario, L4M 0G8
103 Miller Drive, Crittenden, Kentucky, USA 41030
7200 Trans Canada Highway,
Montreal, Quebec H4T 1A3



Phone

Canada
1-866-820-8686

Online

Email: grills@napoleon.com
Website: www.napoleon.com



N415-10001900