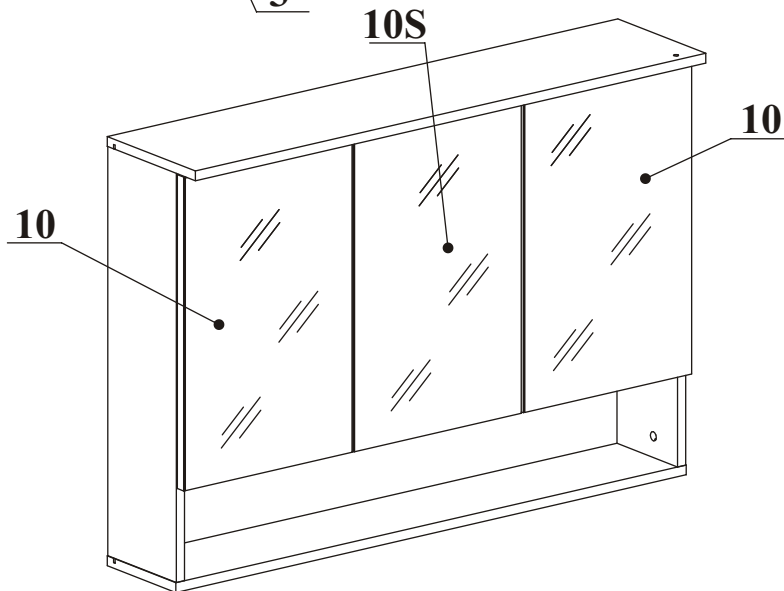
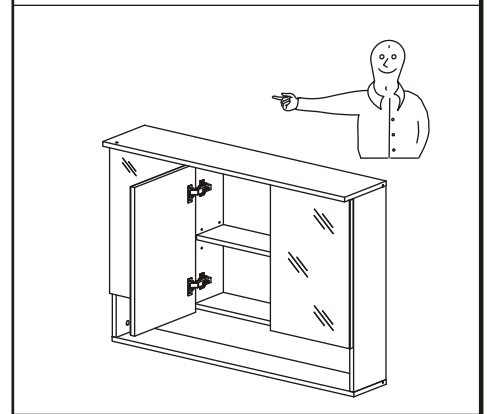
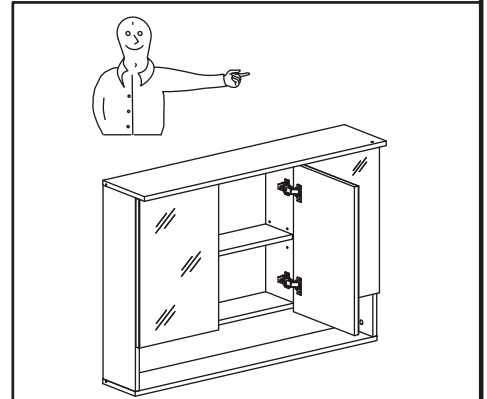
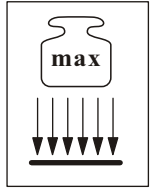
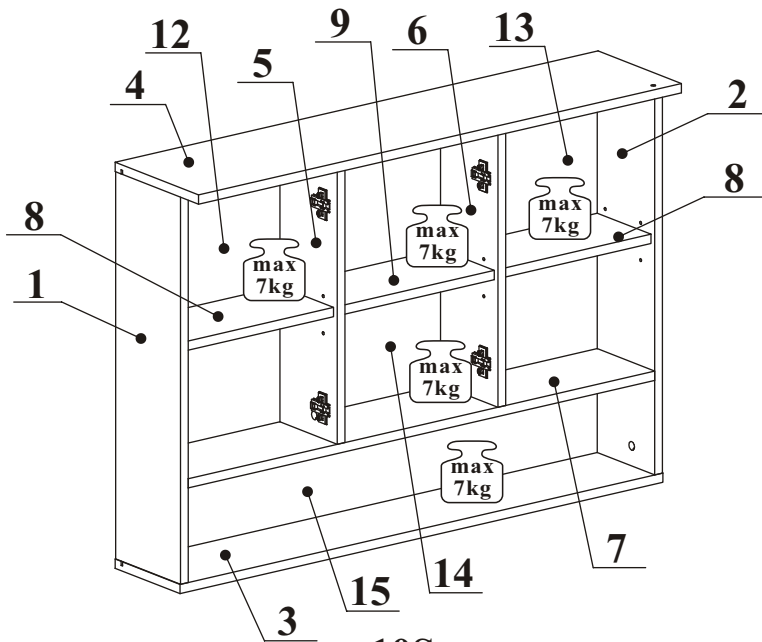
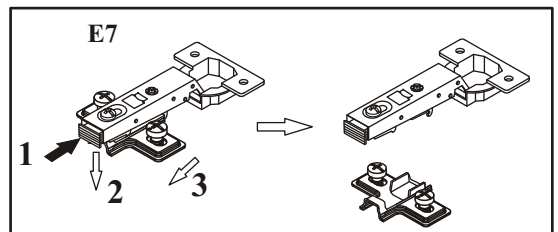
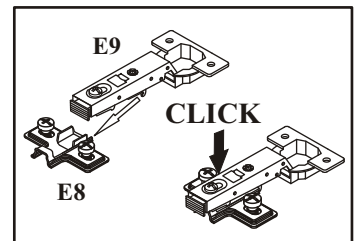
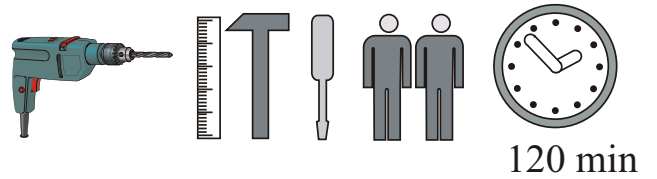
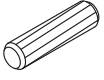
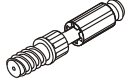


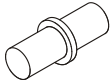
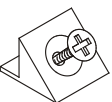
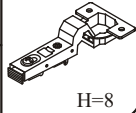
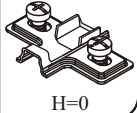

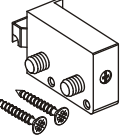
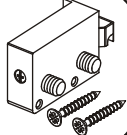


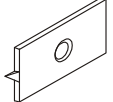

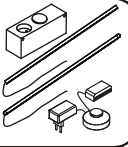


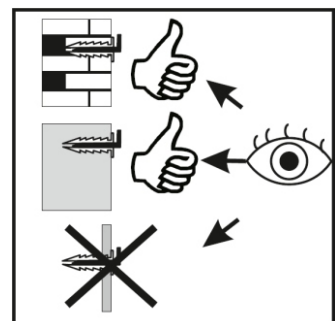
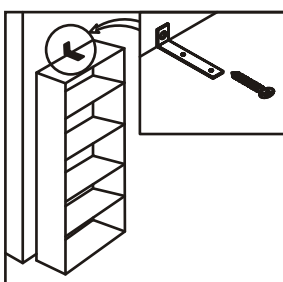
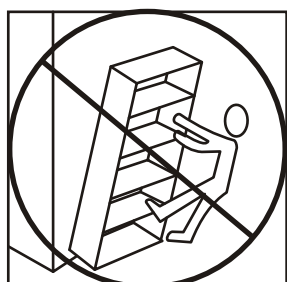
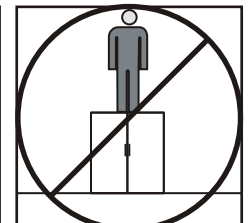
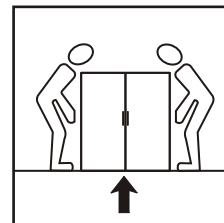
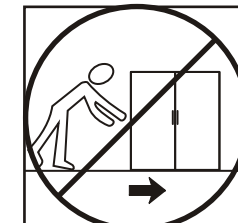
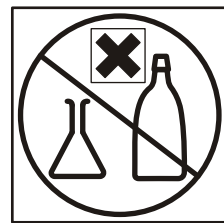
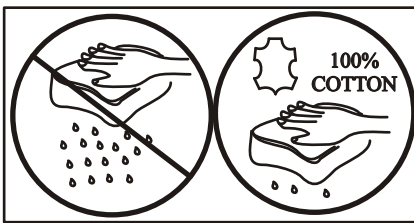
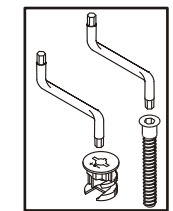
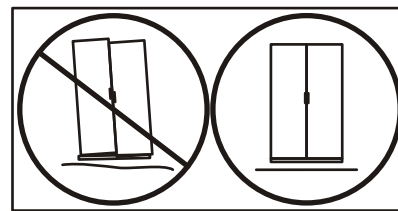
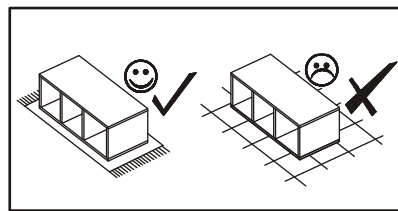
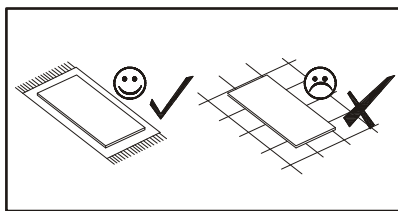
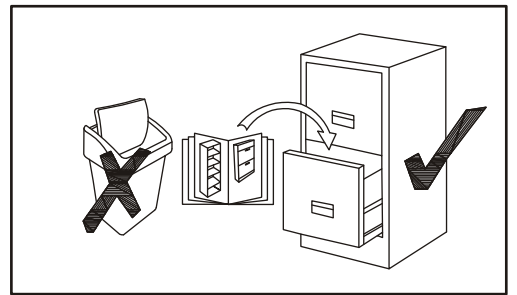
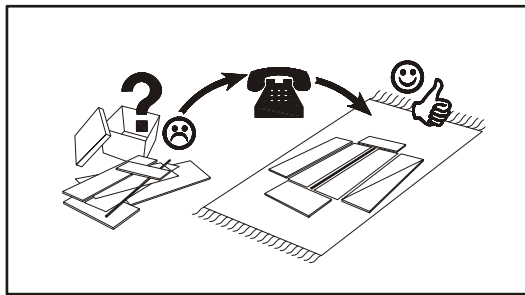
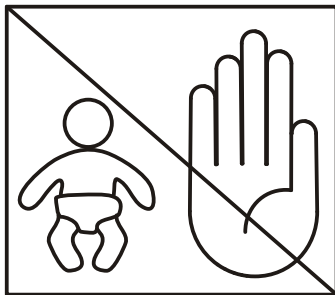
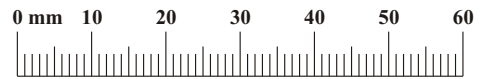
# BEST 54-308-\_\_-6



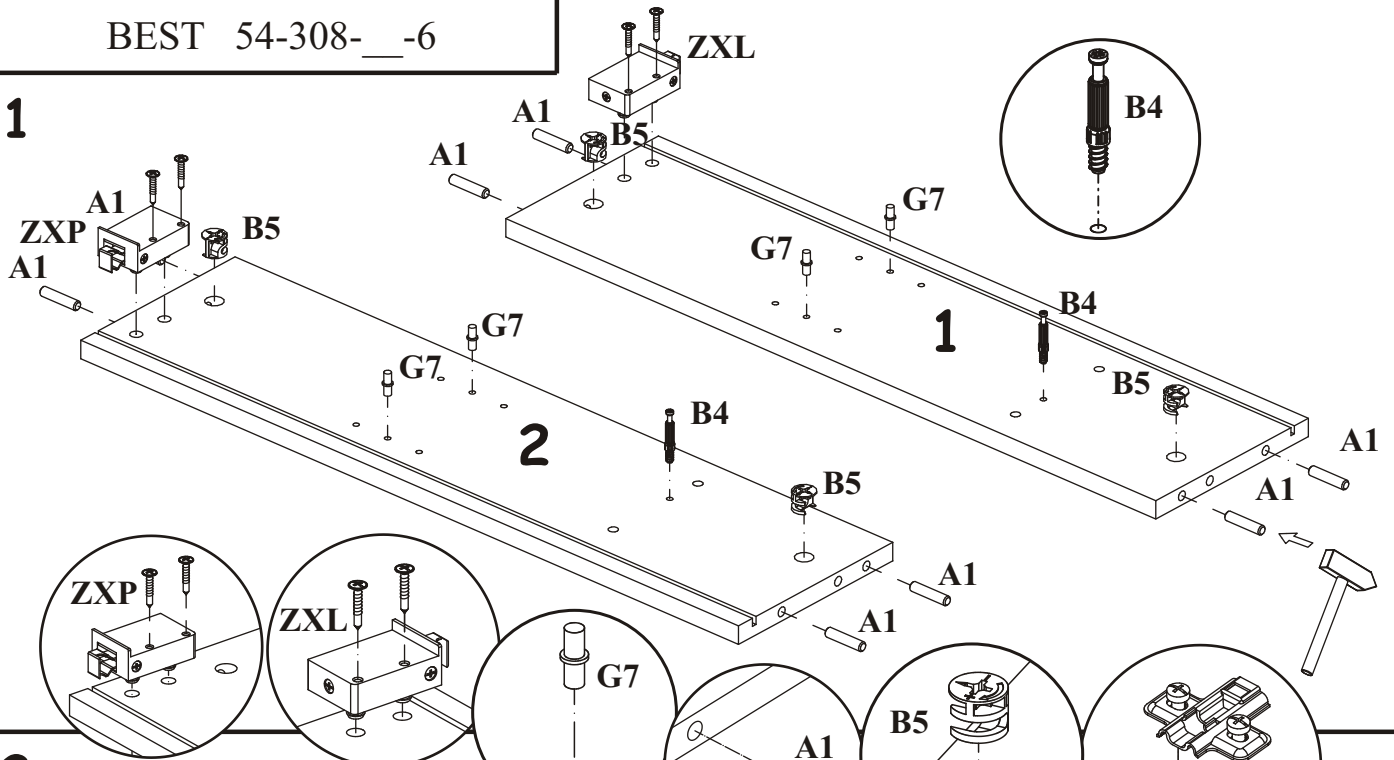
NO	Dim.		Col.-No	Qty
1	668	175	1	1
2	668	175	1	1
3	1001	175	1	1
4	1001	225	1	1
5	489	155	1	1
6	489	155	1	1
7	967	155	1	1
8	309	145	1	2
9	317	145	1	1
10	329	512	1	2
10S	329	512	1	1
12	500	322	1	1
13	500	322	1	1
14	500	331	1	1
15	979	178	1	1



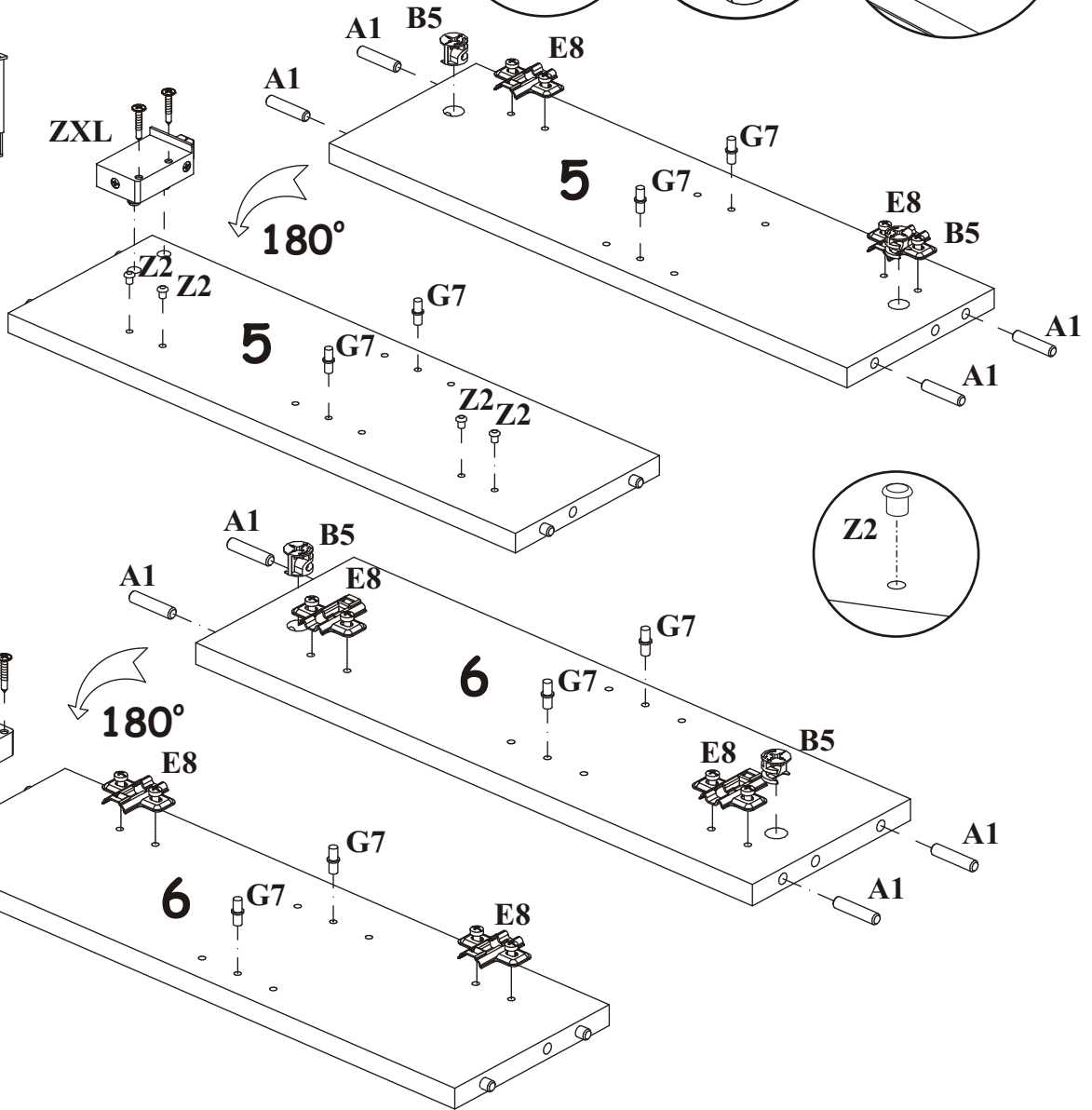
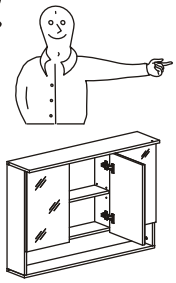
A1 x20  ø8x36	B4 x10 	B5 x10  ø15x12	G5 x10 	G7 x12 	S1 x10 
E9 x6  H=8	E8 x6  H=0	D10 x12  USØ3,5x13	ZXL x1 	ZXP x1 	KR2 x4 
UP13 x12  UPØ3x16	G16 x12 	G2 x1 	LT2 x1 		



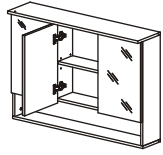
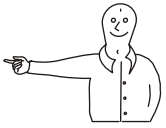
1



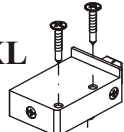
2



2



ZXL

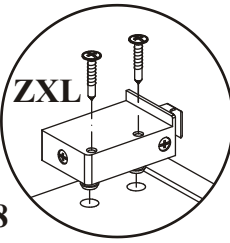


180°

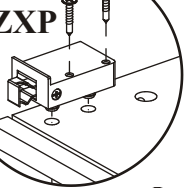
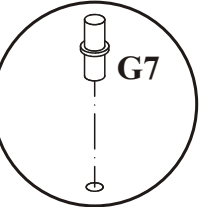
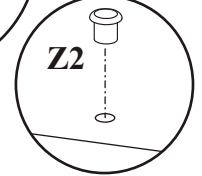
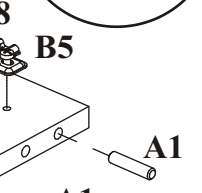
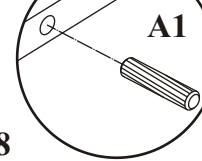
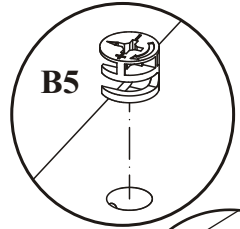
5

5

ZXL



B5

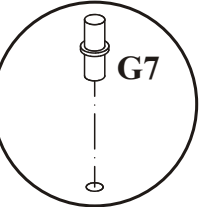
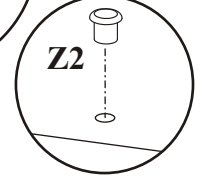
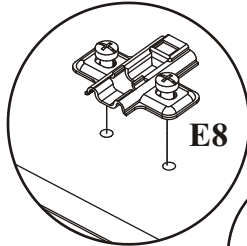


ZXP

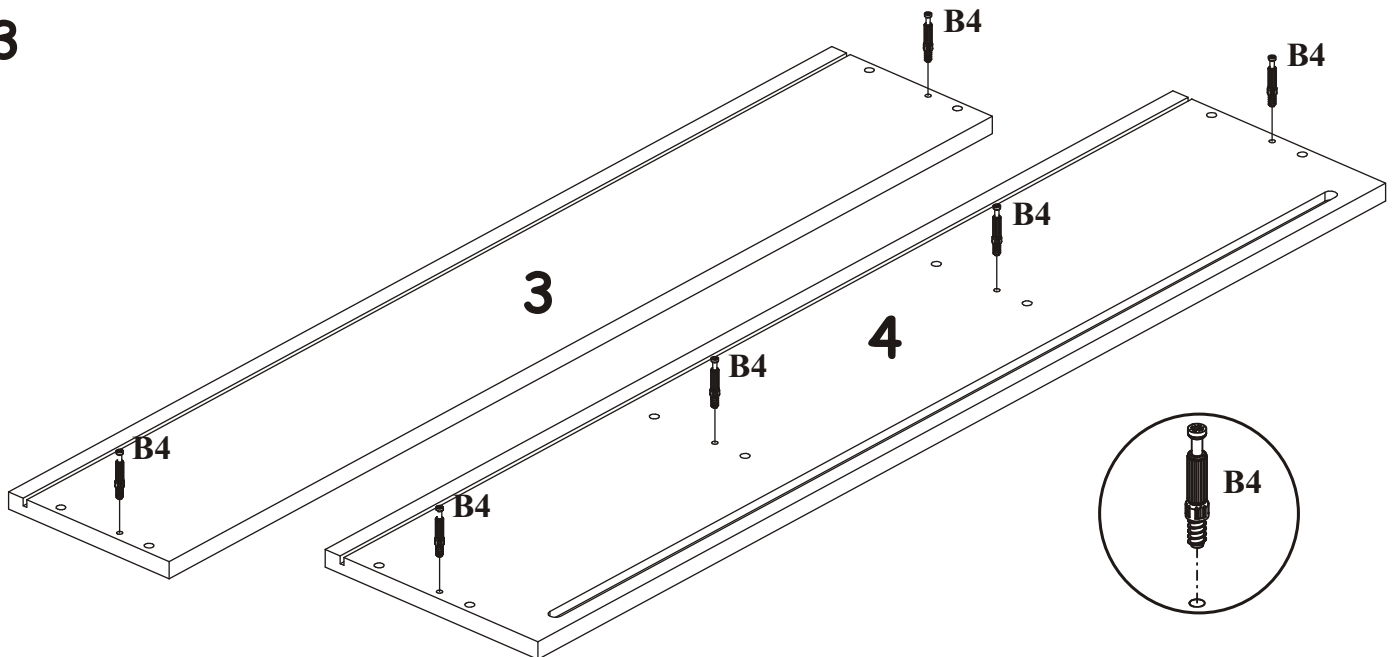
180°

6

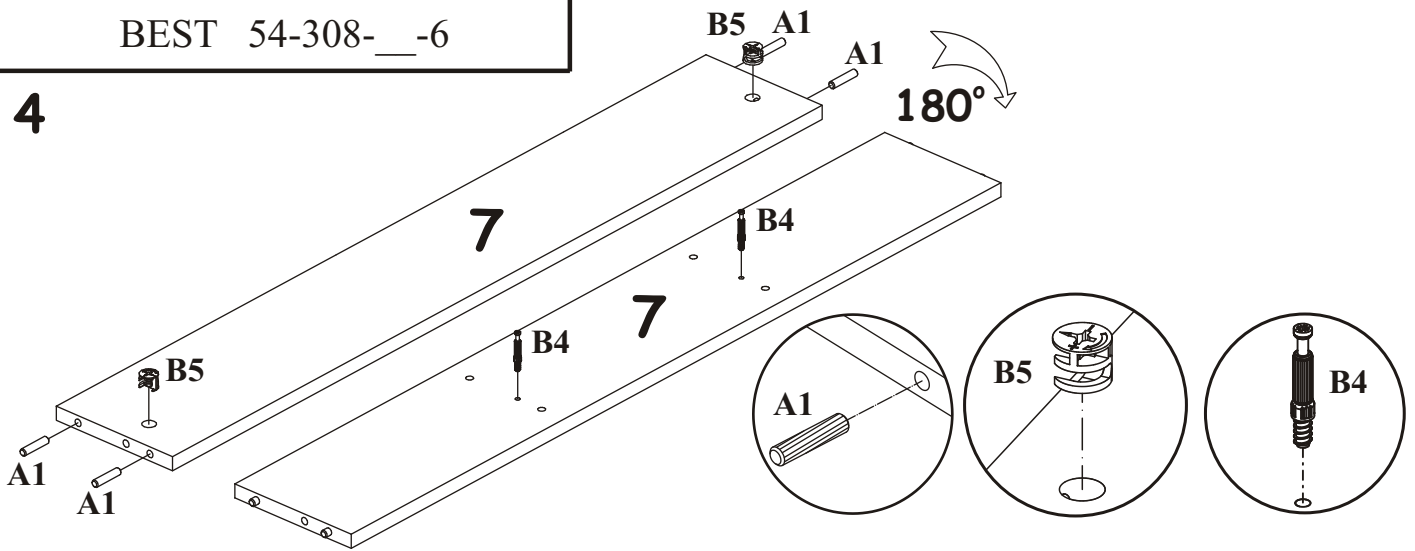
6



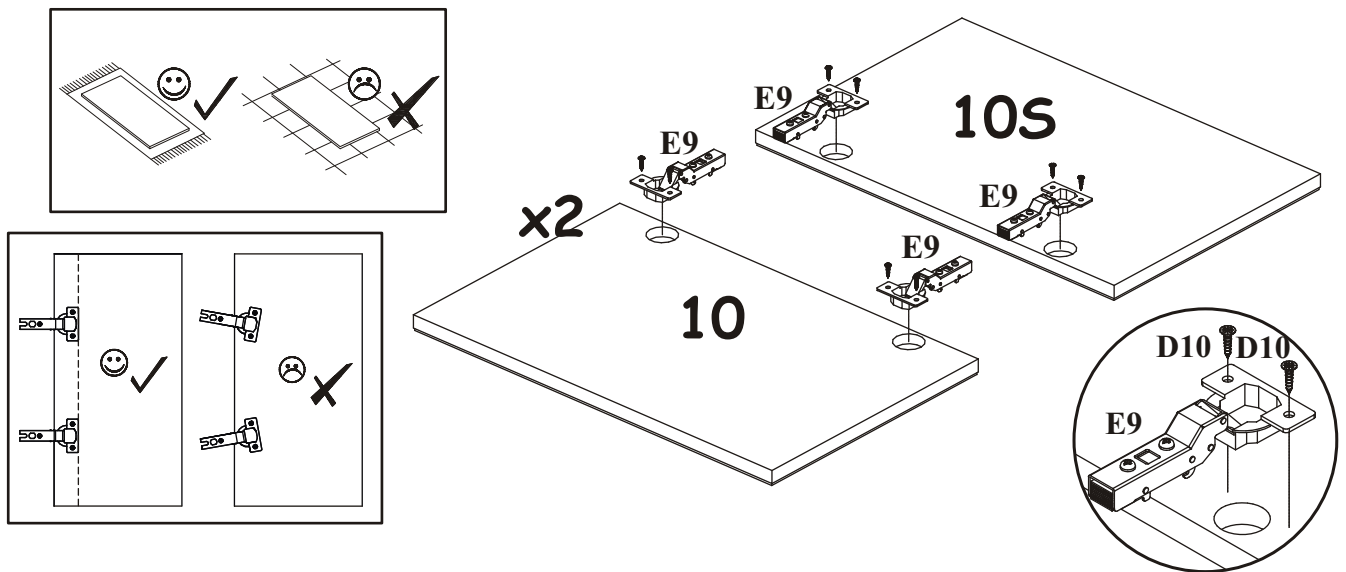
3



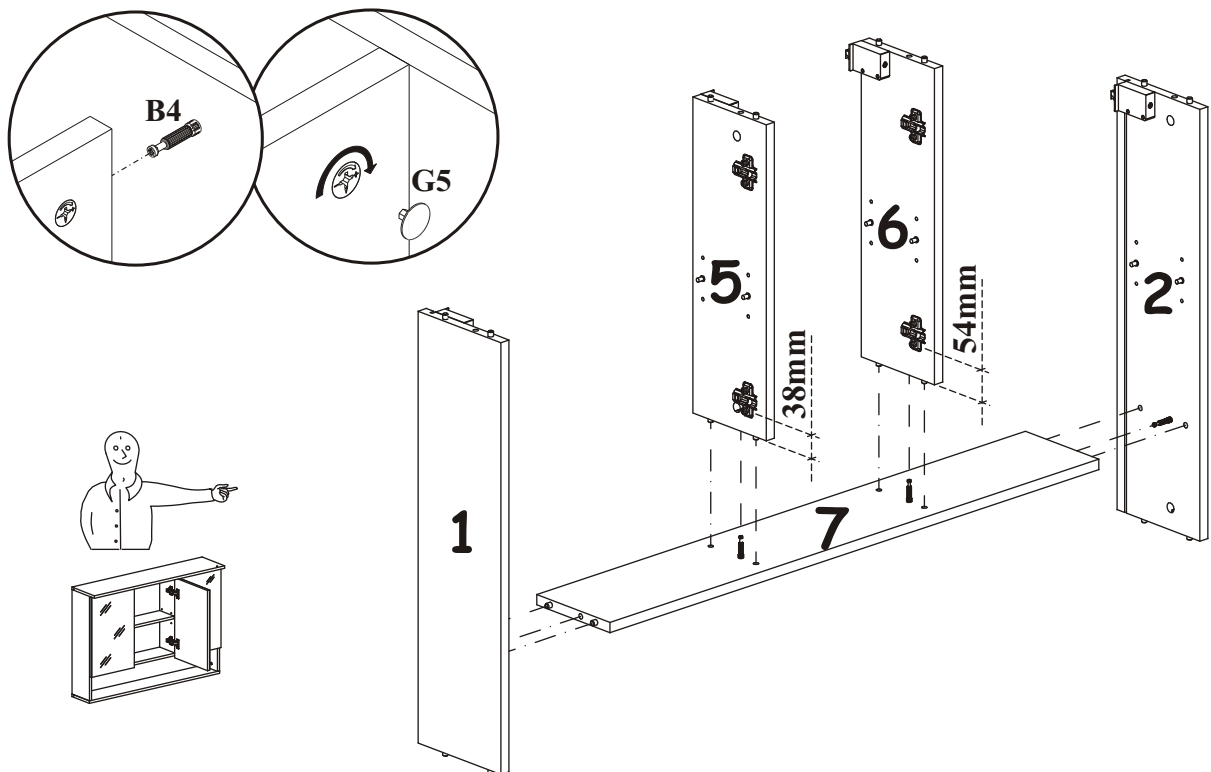
4



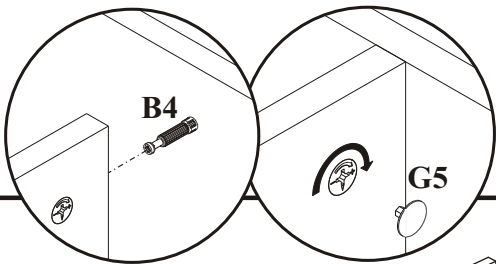
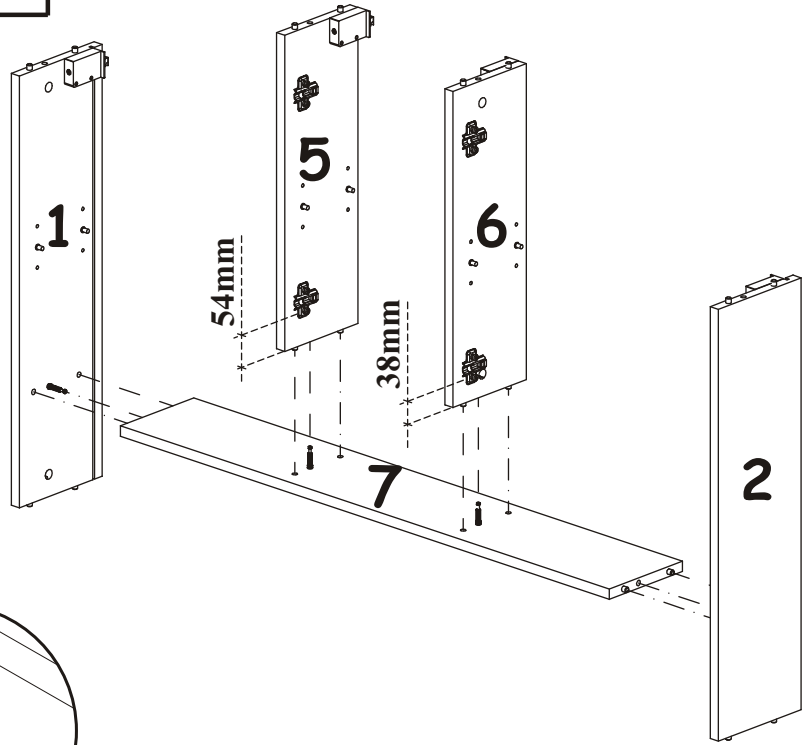
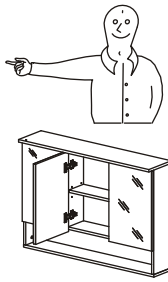
5



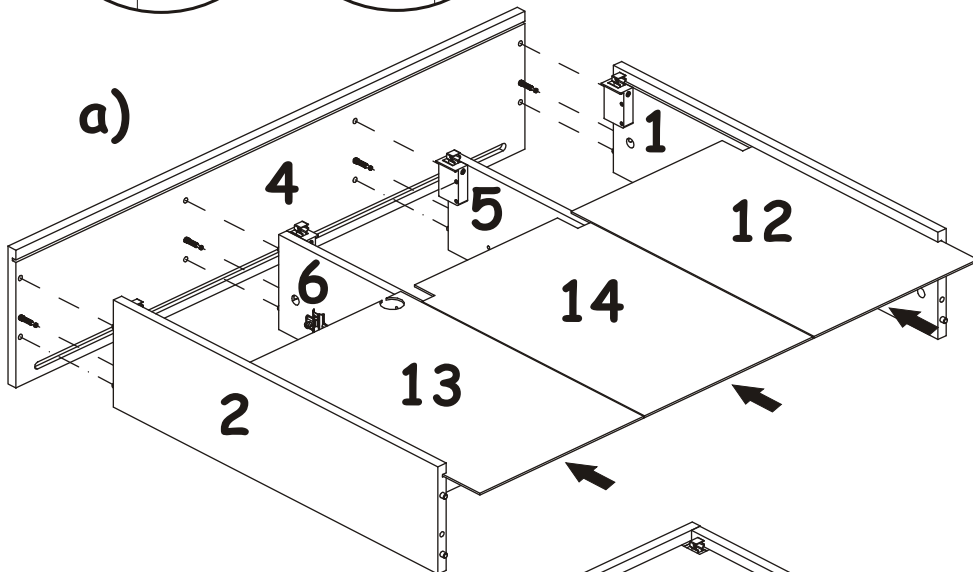
6



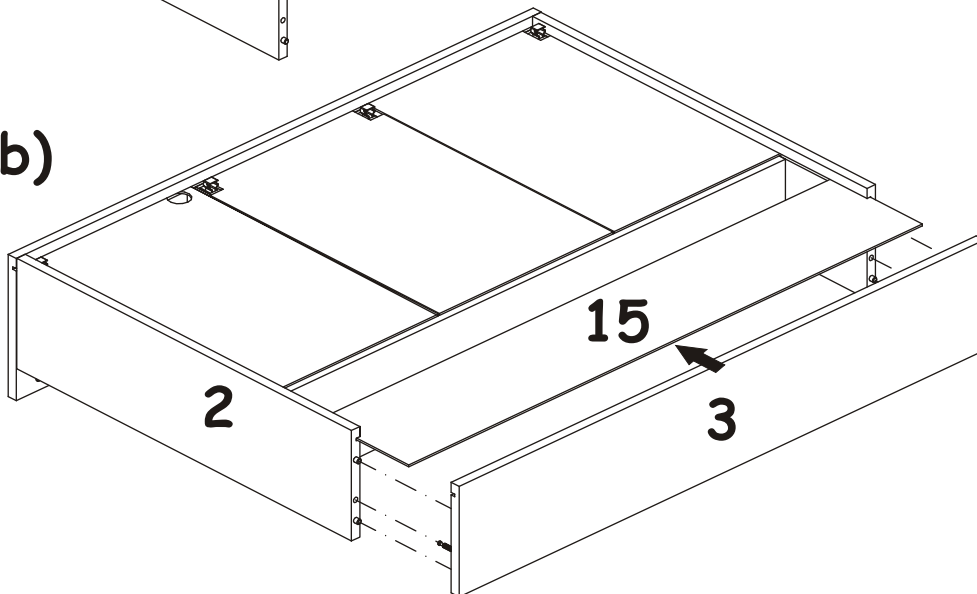
6



7

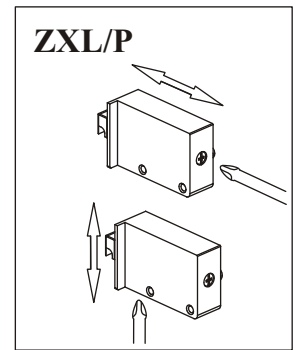
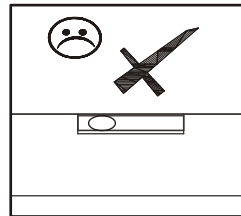
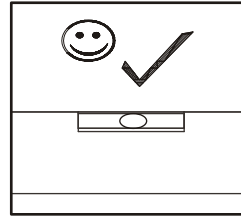
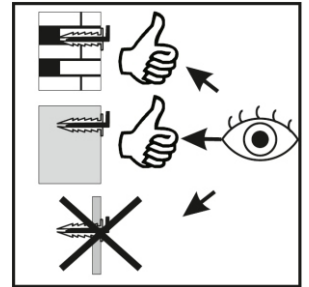
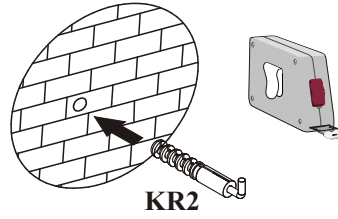
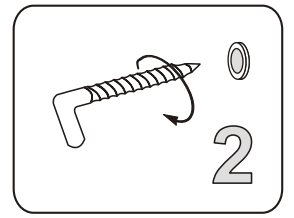
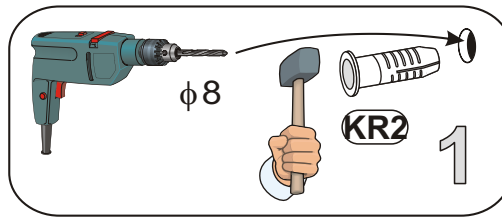
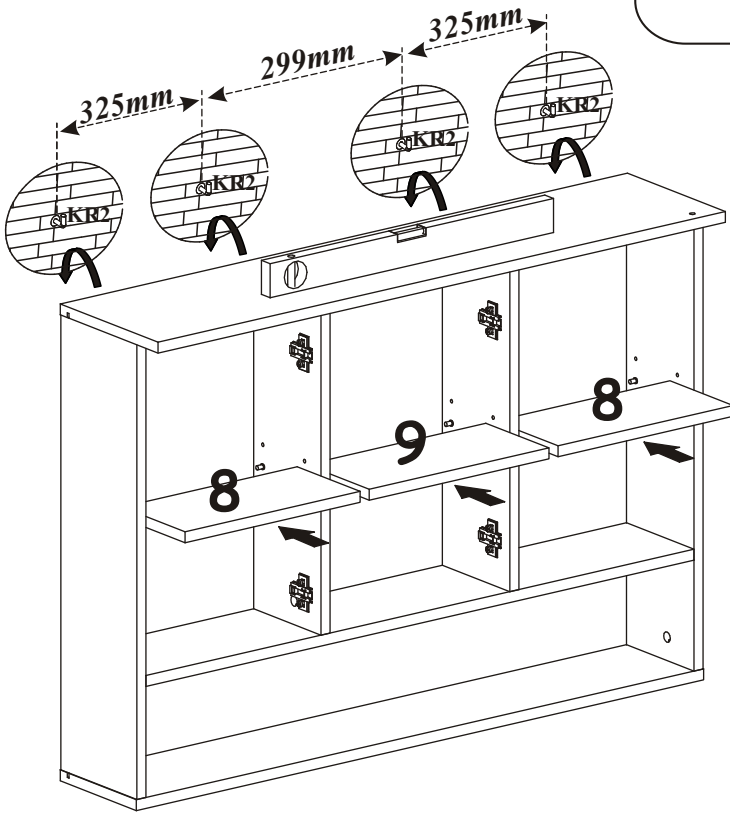


b)

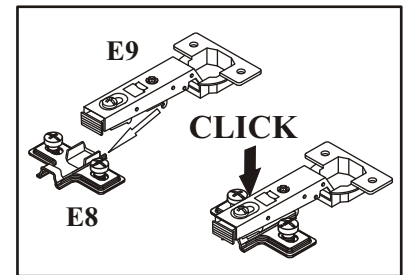
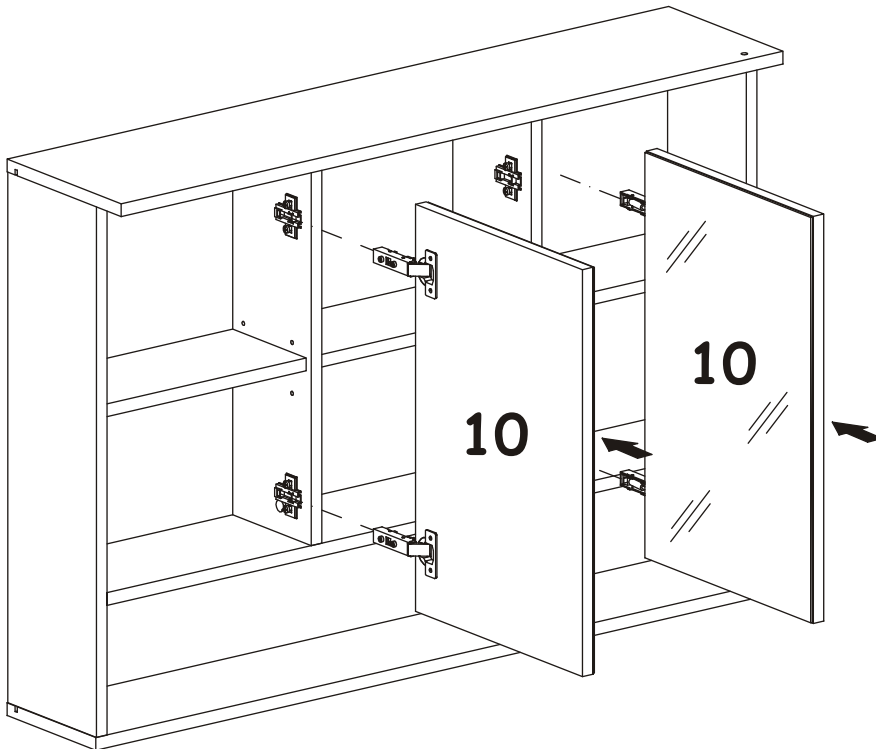




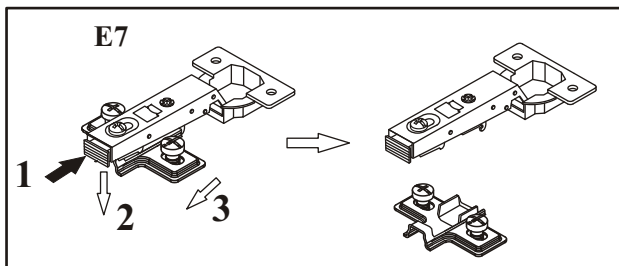
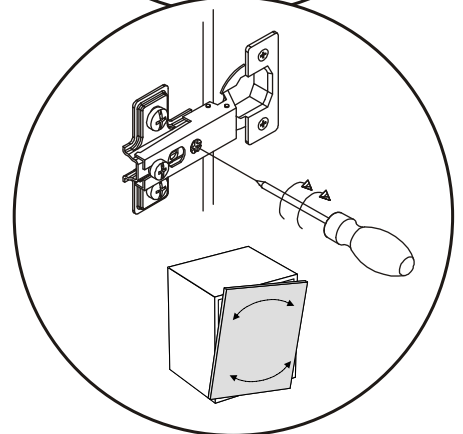
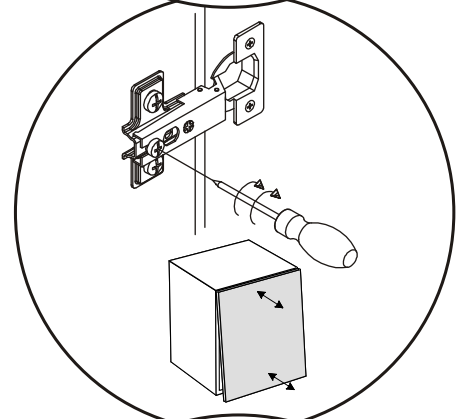
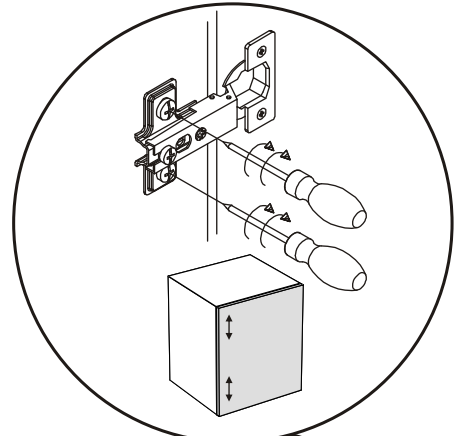
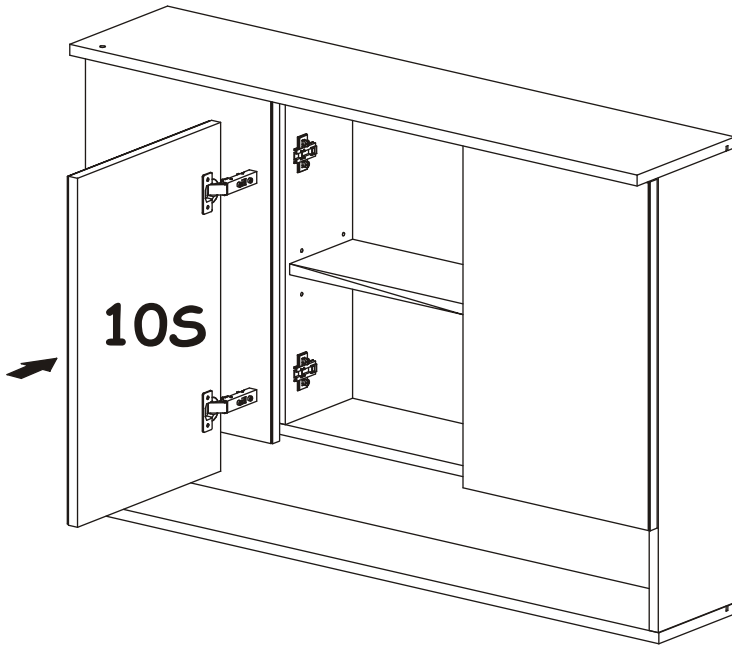
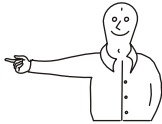
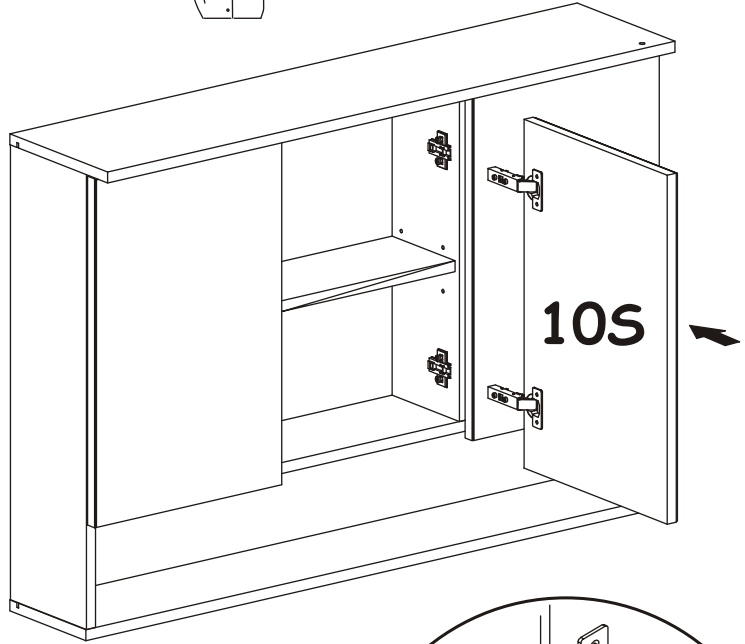
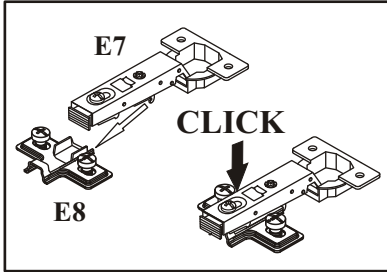
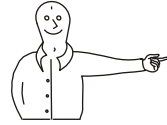
10



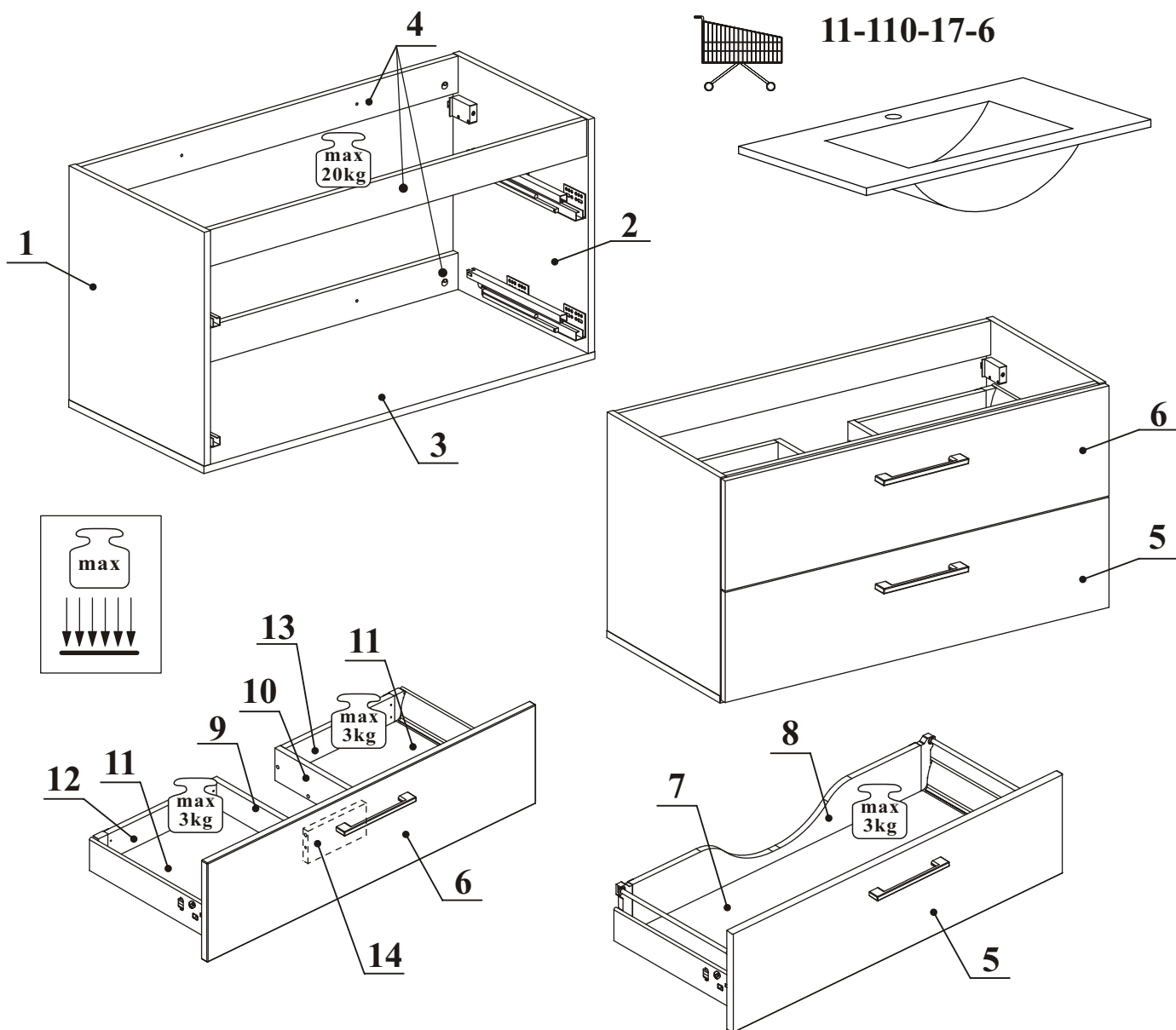
11



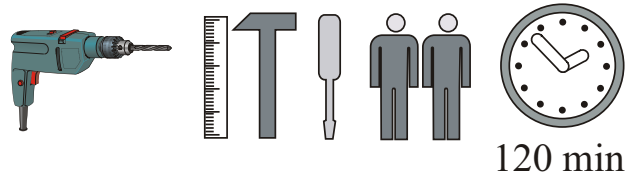
12



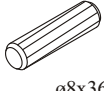
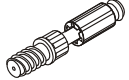


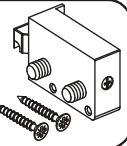
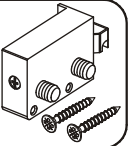
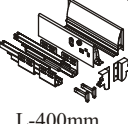





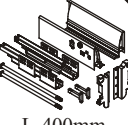
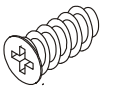

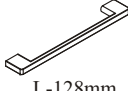

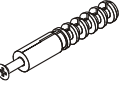
# BEST 36-308-\_\_-6

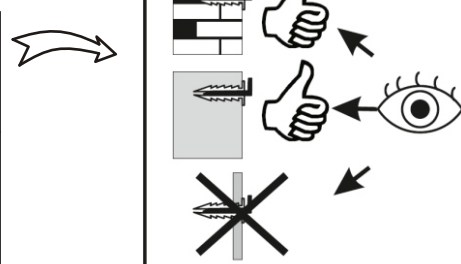
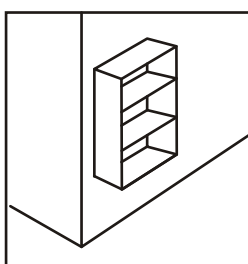
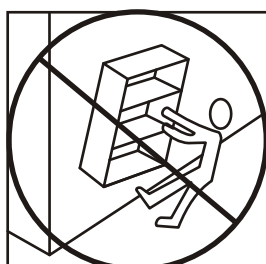
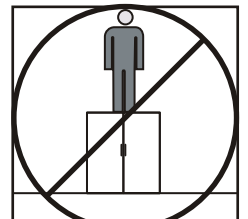
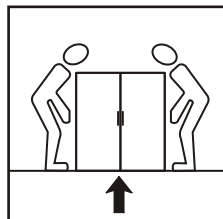
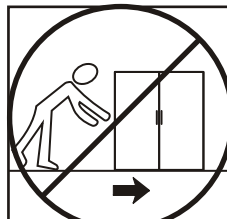
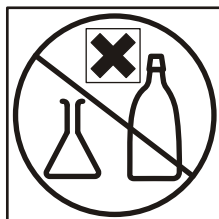
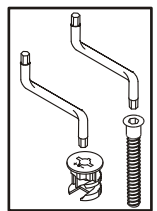
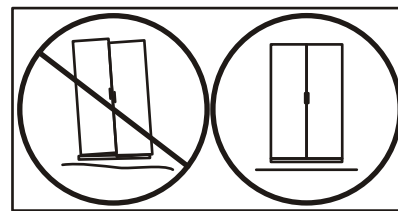
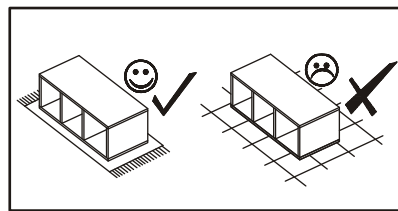
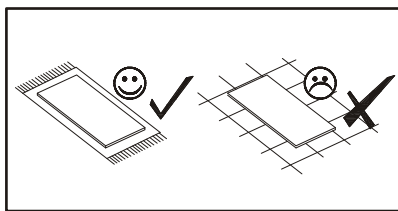
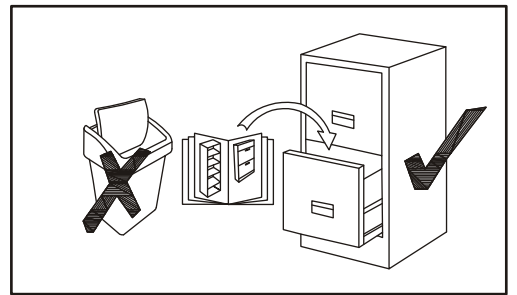
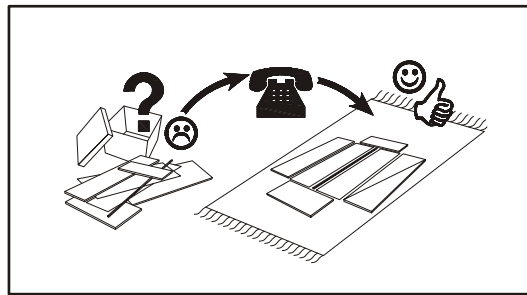
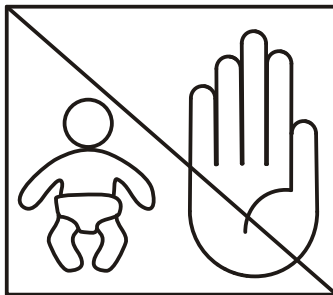
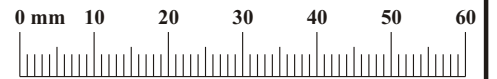


NO	Dim.		Col.-No	Qty
1	512	448	1	1
2	512	448	1	1
3	1000	448	1	1
4	966	80	1	3
5	994	258	1	1
6	994	258	1	1
7	879	391	1	1
8	868	119	1	1
9	392	84	1	1
10	392	84	1	1
11	391	336	1	2
12	330	68	1	1
13	330	68	1	1
14	175	84	1	1

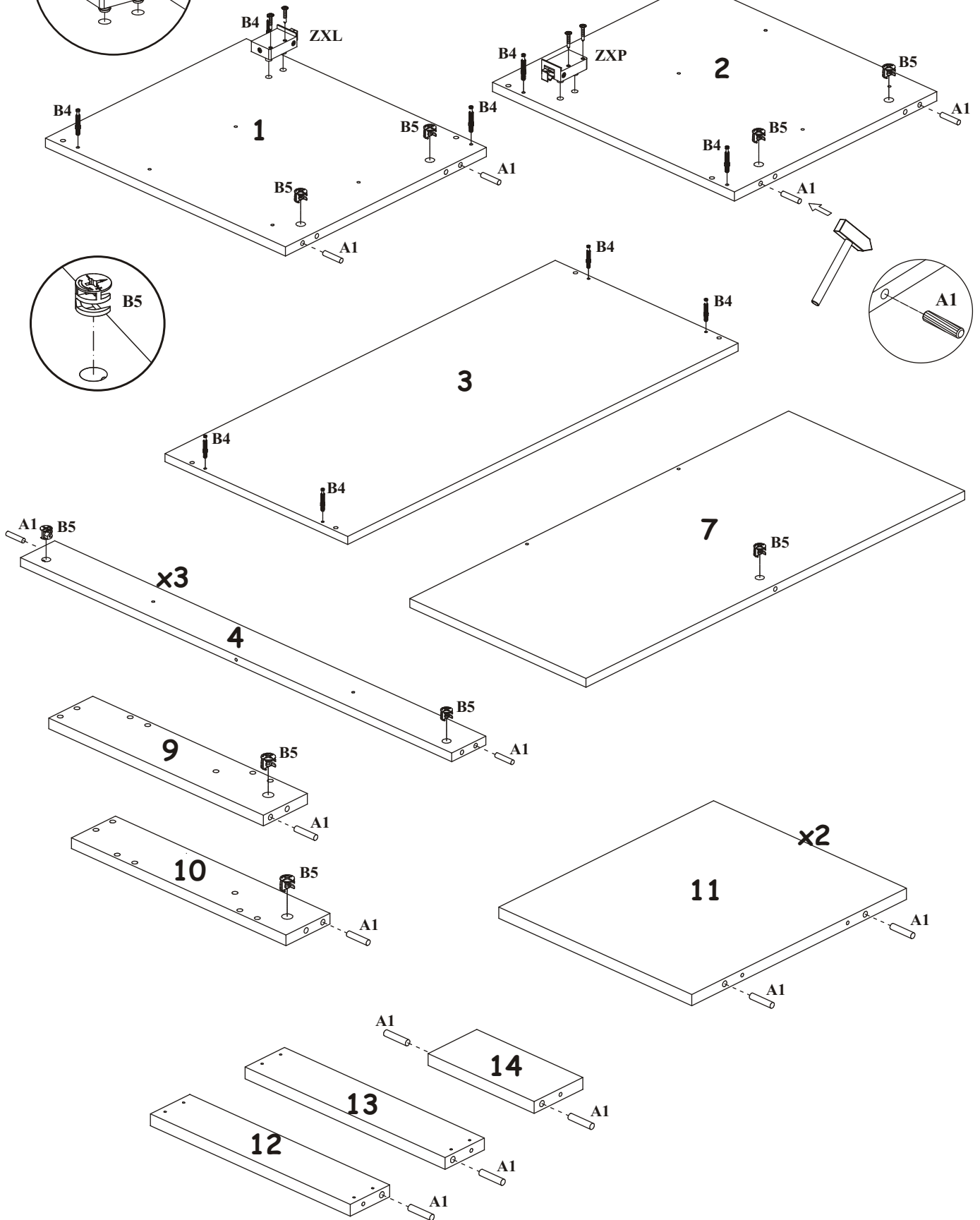
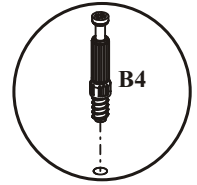
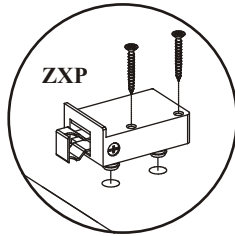
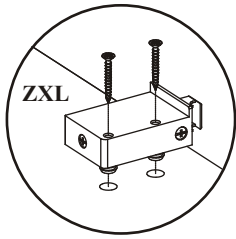


120 min

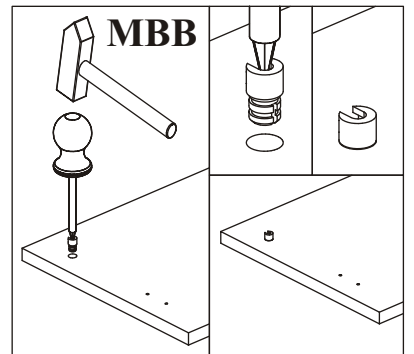
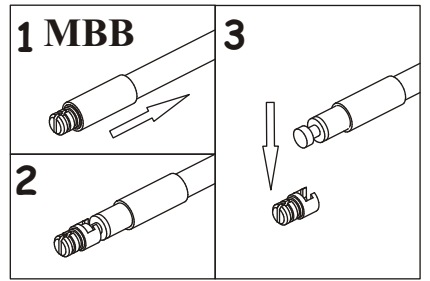
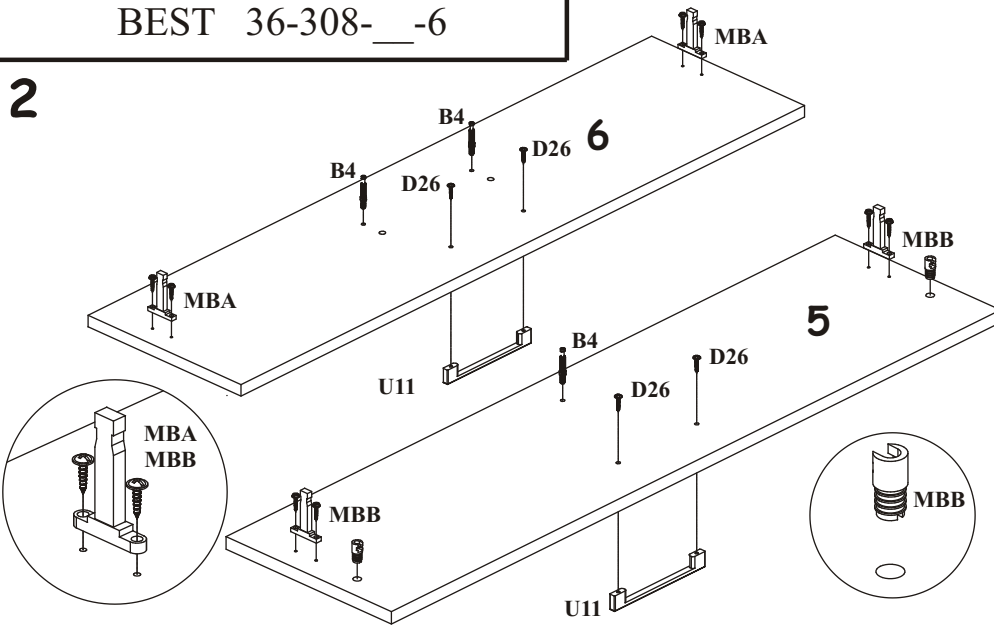
A1 x20  ø8x36	B4 x13 	B5 x13  ø15x12	G5 x13 	ZXL x1 	ZXP x1 
MBA x1 L-400mm 	B11 x9 Ø7x50 	G4 x9 	D10 x8 USØ3,5x13 	KR2 x2 	G2 x1 
MBB x1 L-400mm 	D20 x8 ESØ6x9,5 	UP6 x2 UPØ4x30 	U11 x2 L-128mm. 	D26 x4 M4x22 	KR1 x4 



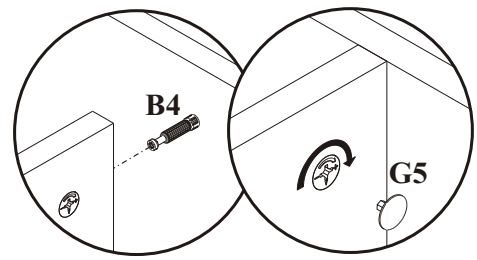
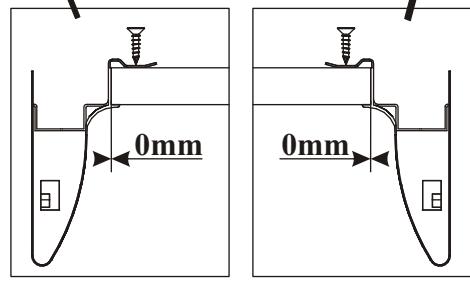
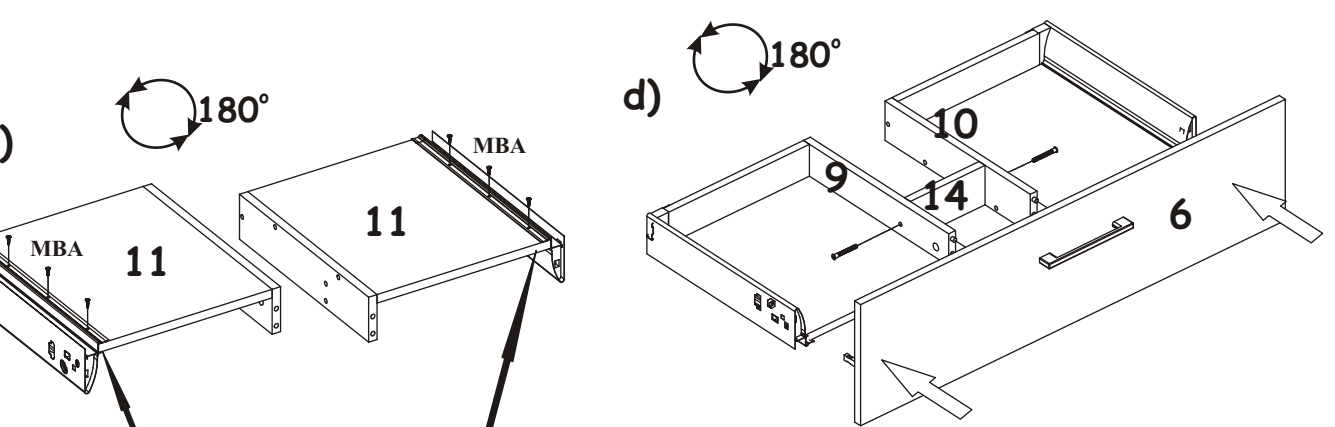
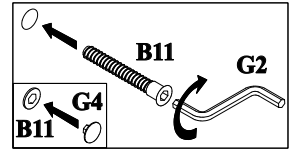
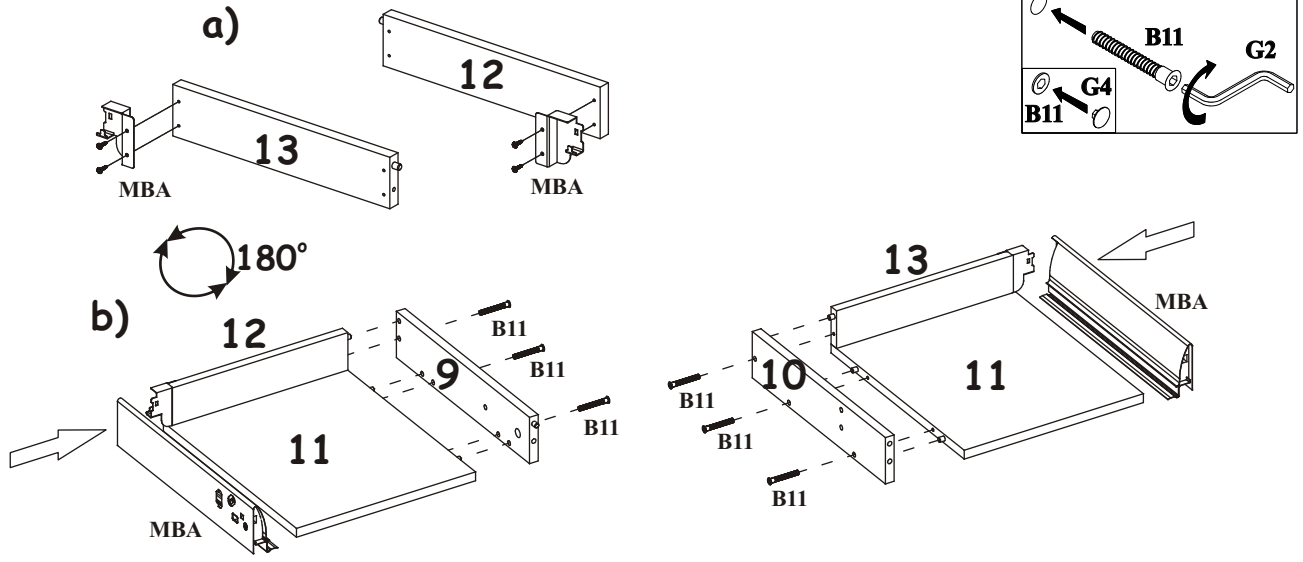
1



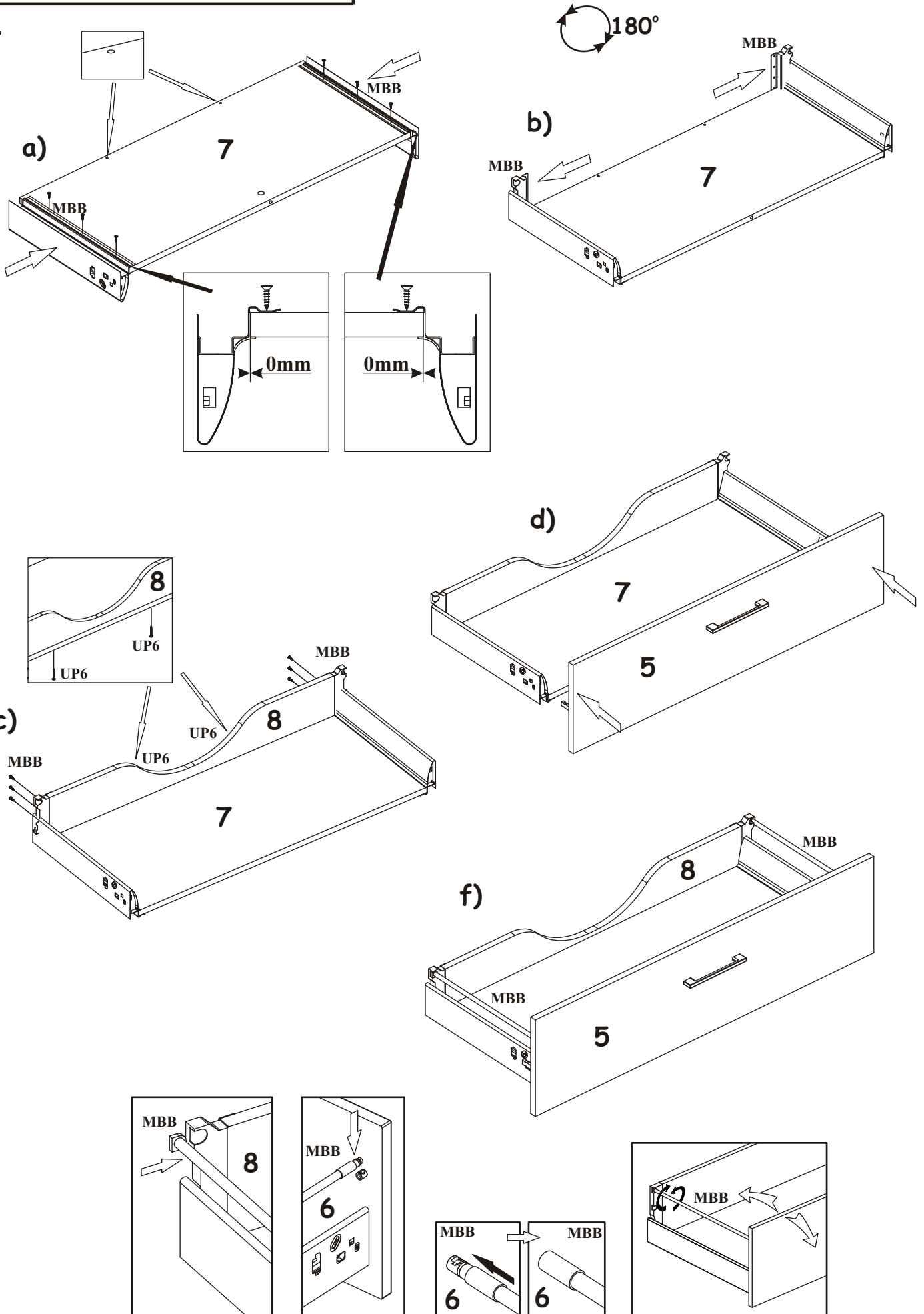
2



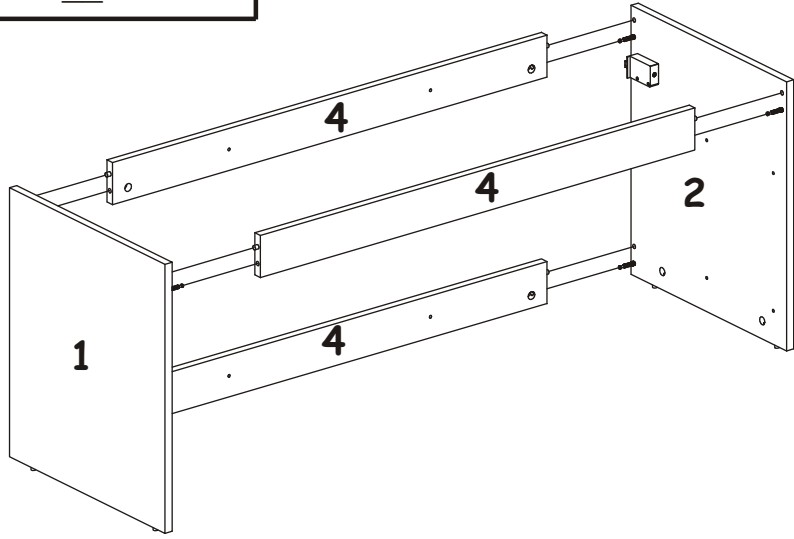
3



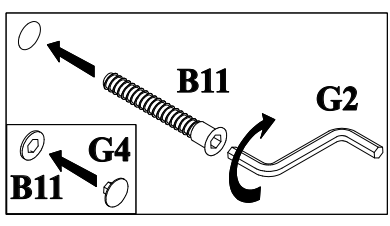
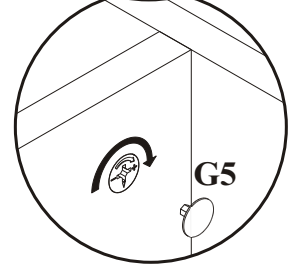
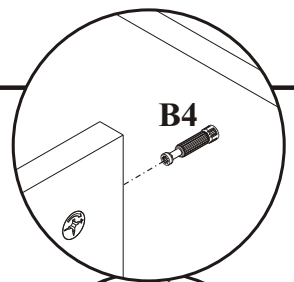
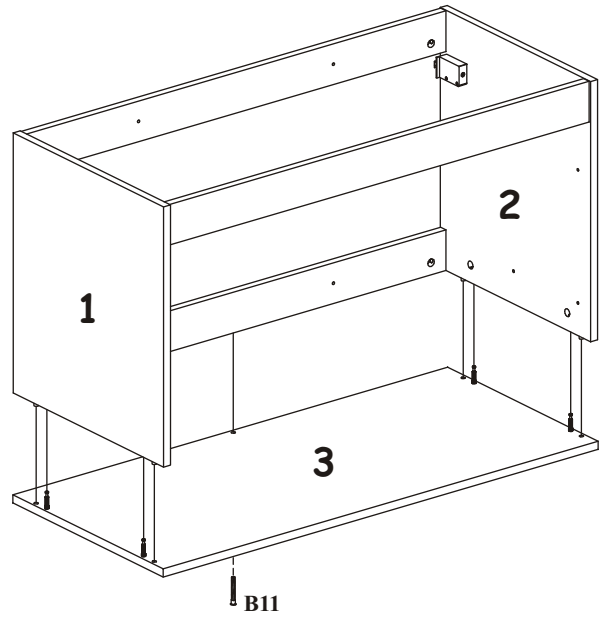
4



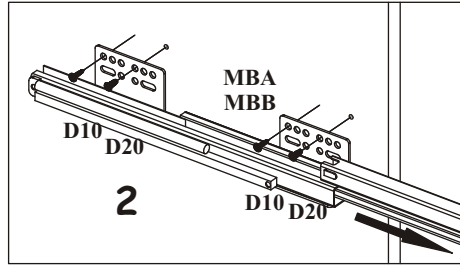
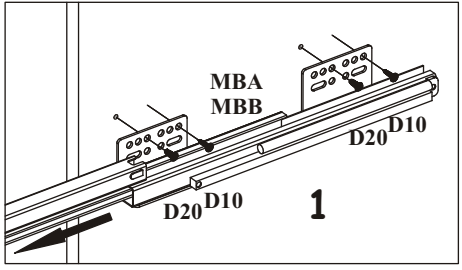
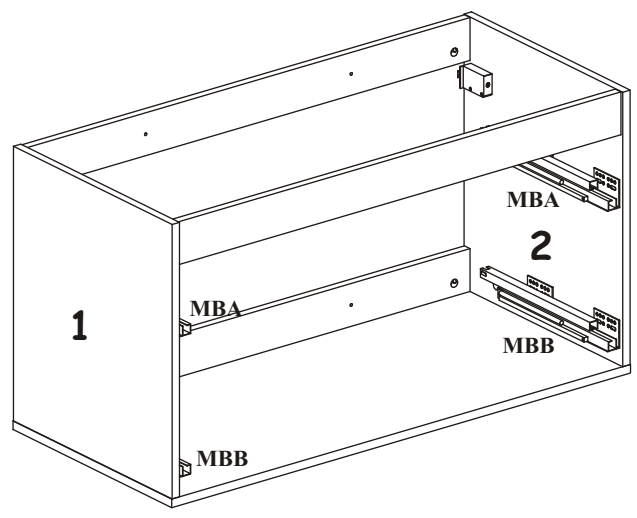
5



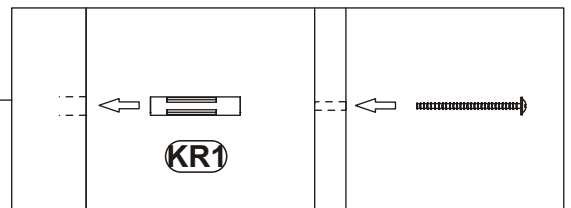
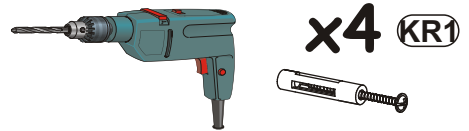
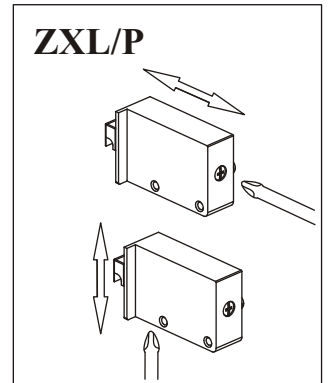
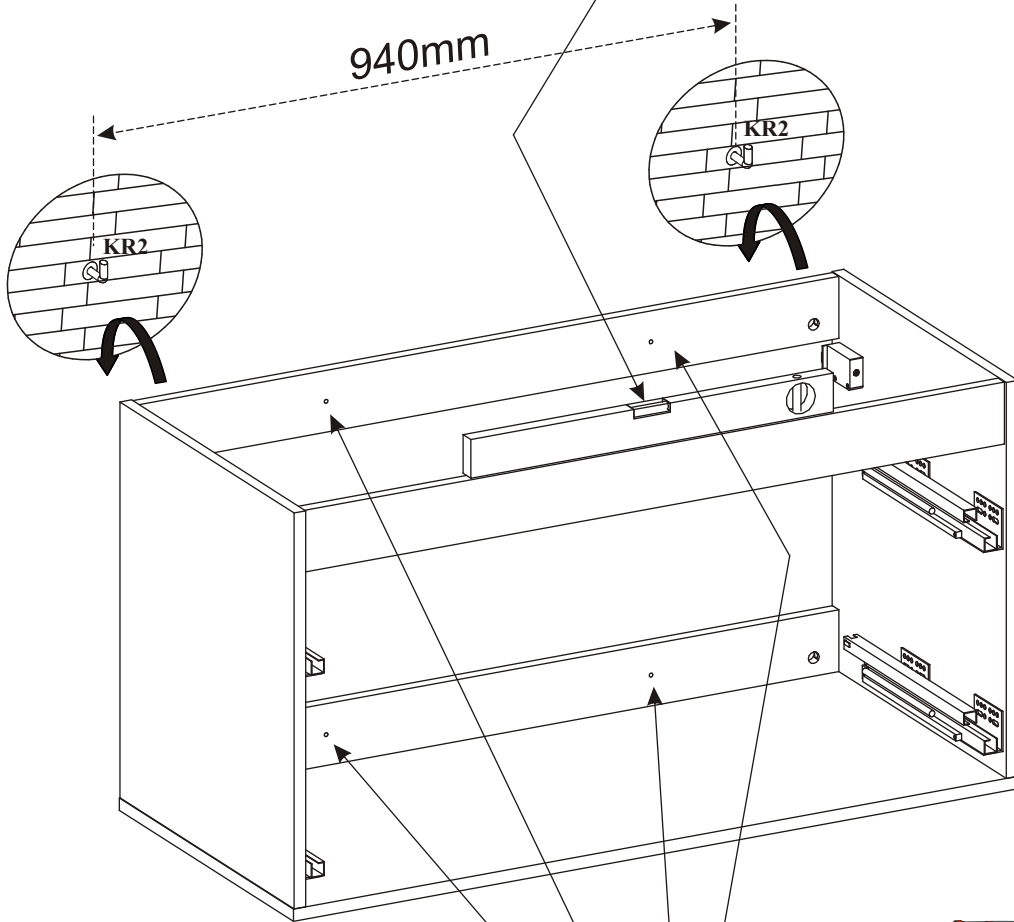
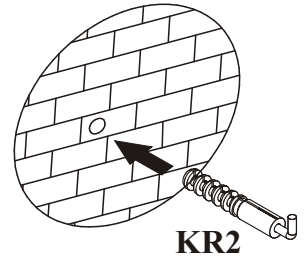
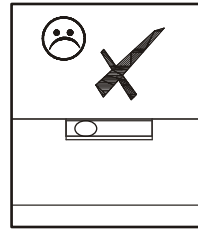
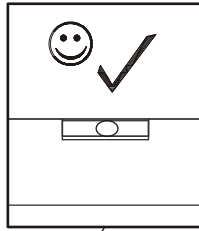
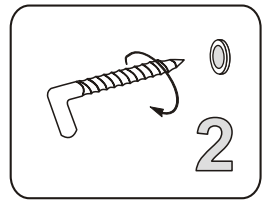
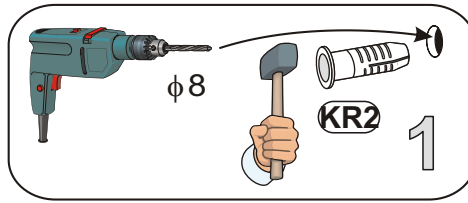
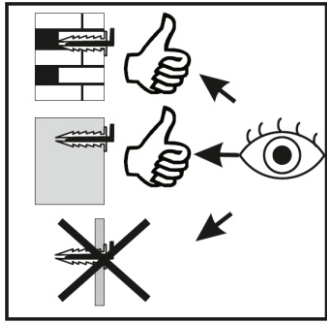
6



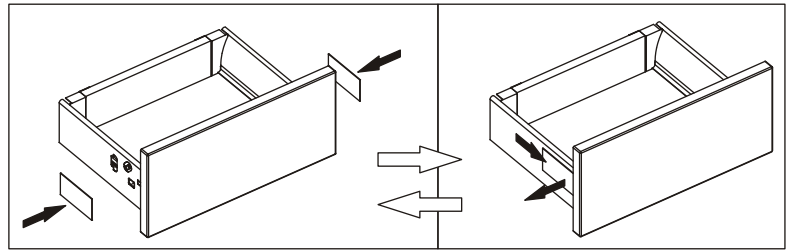
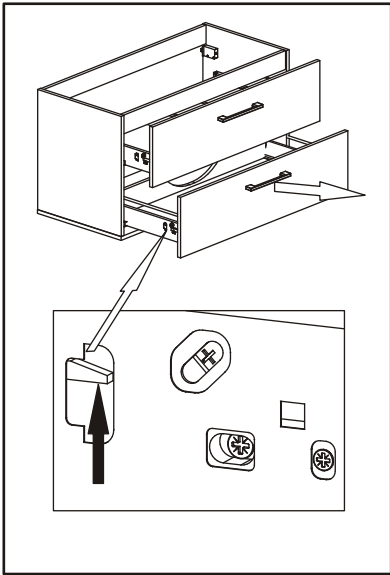
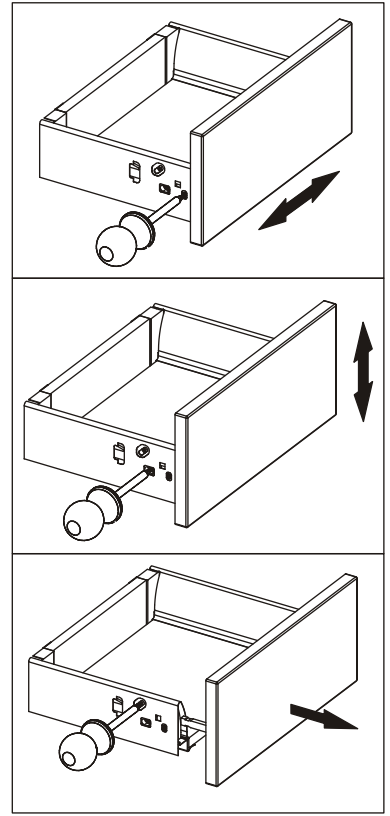
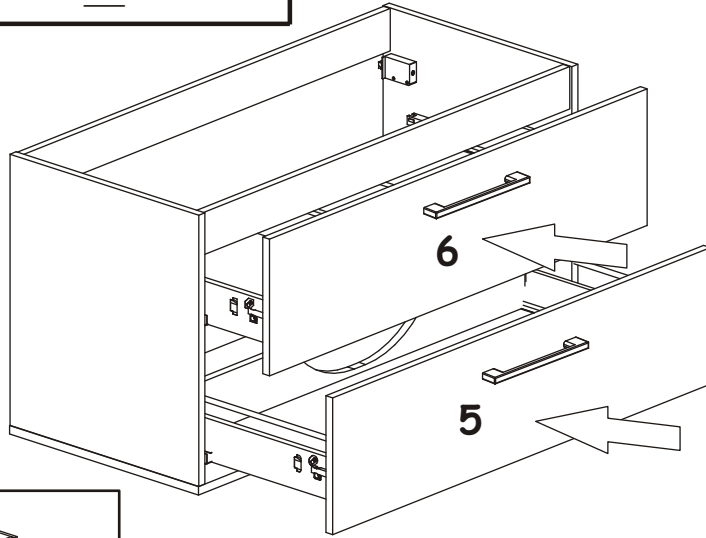
7



8



9



10

SILIKON

