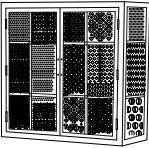

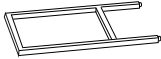


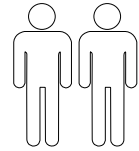
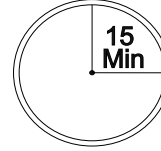
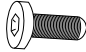
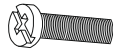





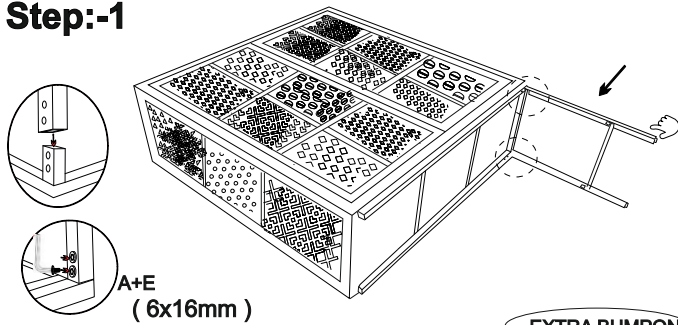
-  x1
-  x2
-  x2
-  x2
-  x1

Art. No.71880-L

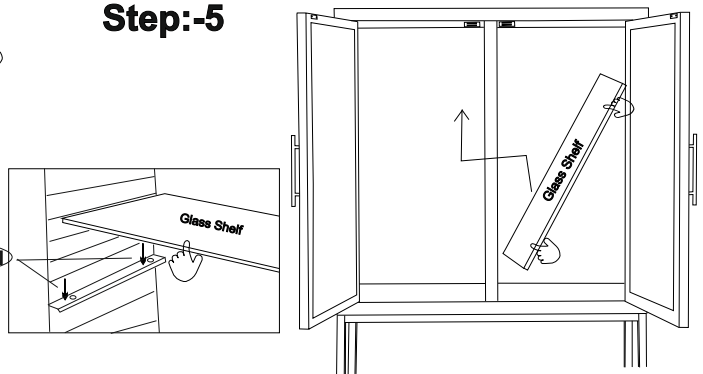


- | | | | | |
|---|---|---|---|---|
| A | B | C | D | E |
|  |  |  |  |  |
| (6x16mm) | (4x35mm) | (4x16mm) | (4x12mm) | (4mm) |
| (16 Pcs.) | (04 Pcs.) | (06 Pcs.) | (06 Pcs.) | (1Pcs.) |

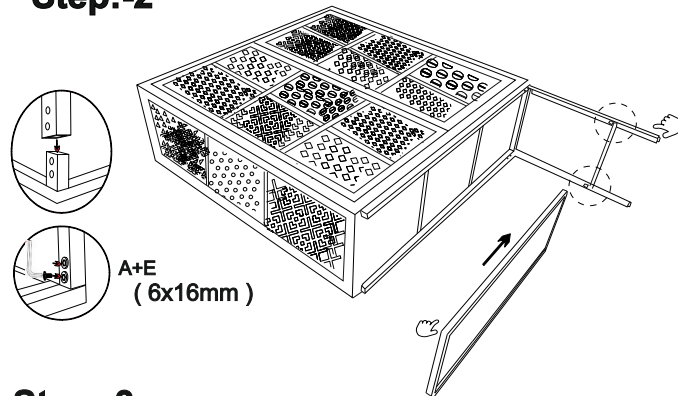
Step:-1



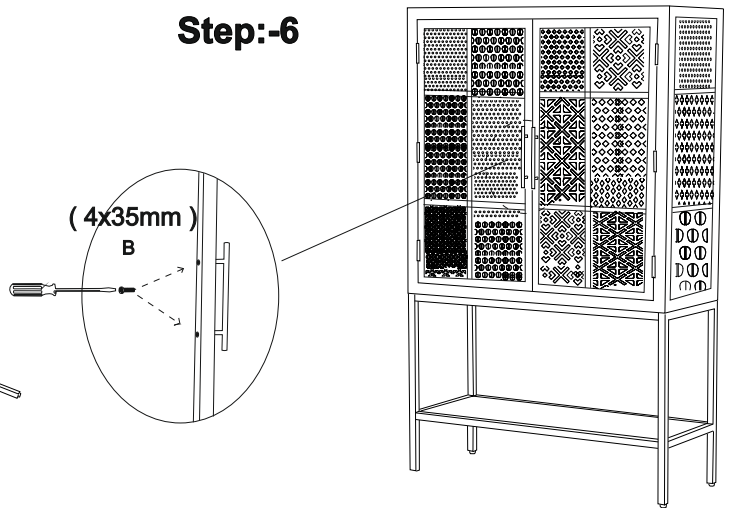
Step:-5



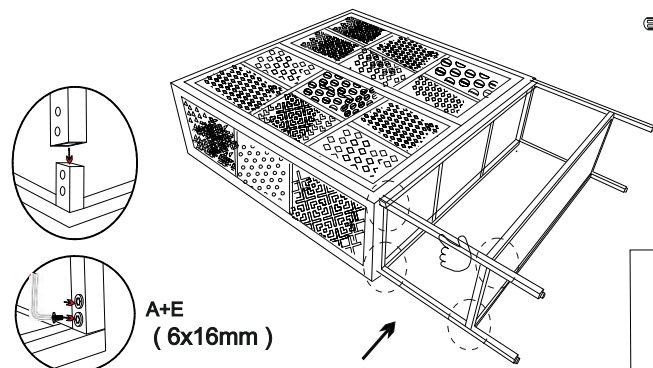
Step:-2



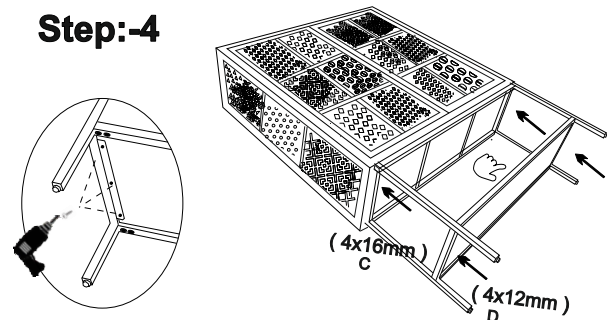
Step:-6



Step:-3

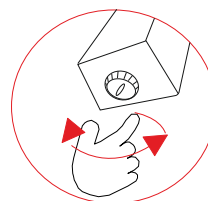


Step:-4



Assembled Product

Leveler



ADJUSTABLE SLIDING NAILS

