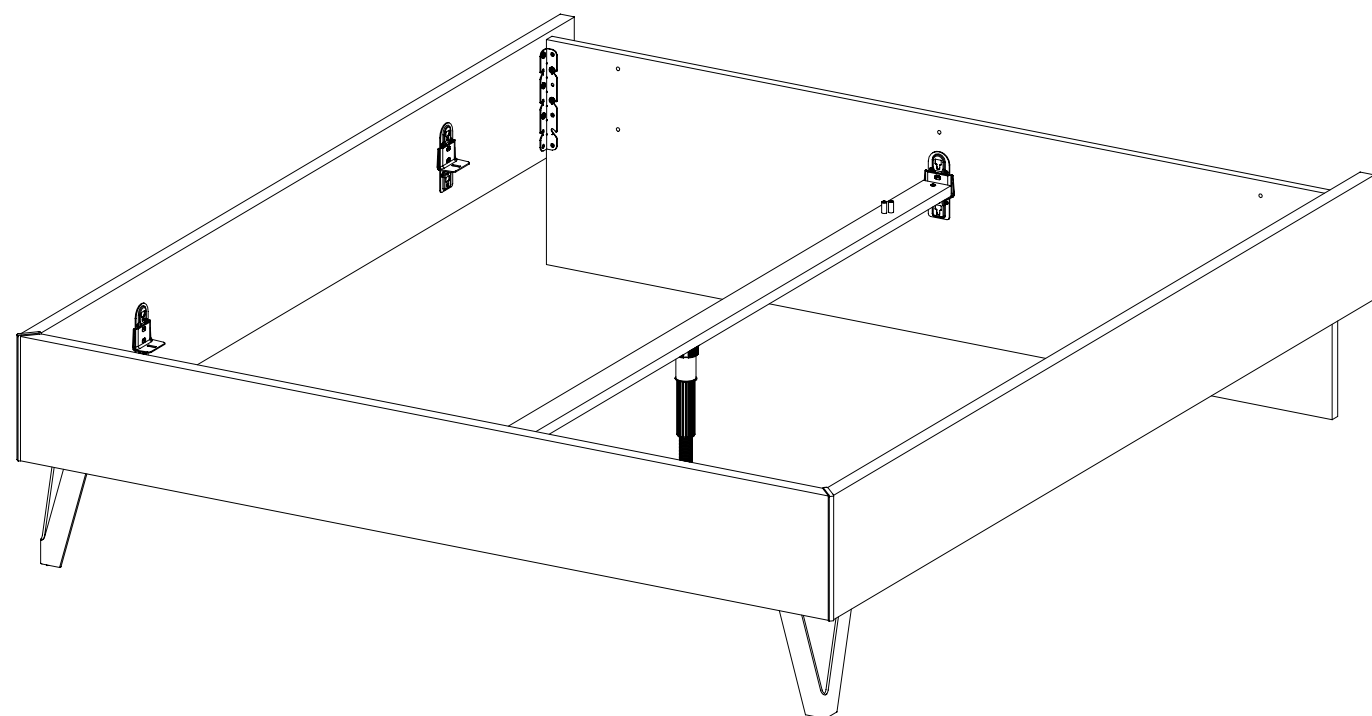
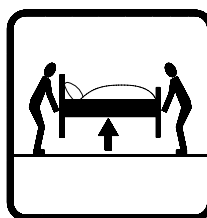
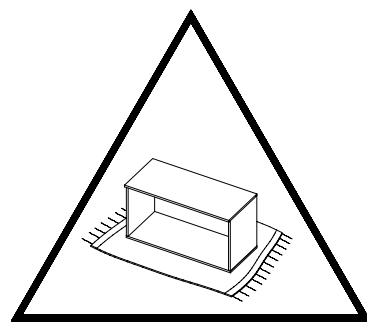
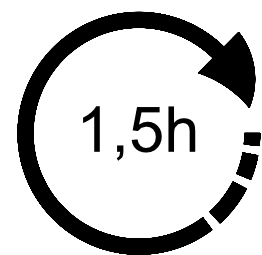
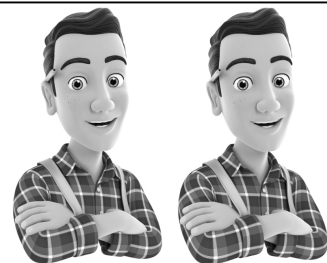
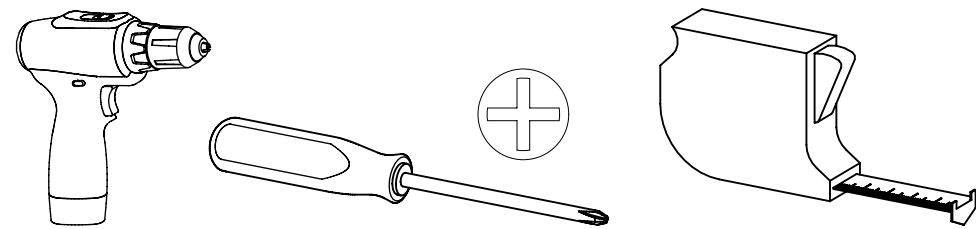


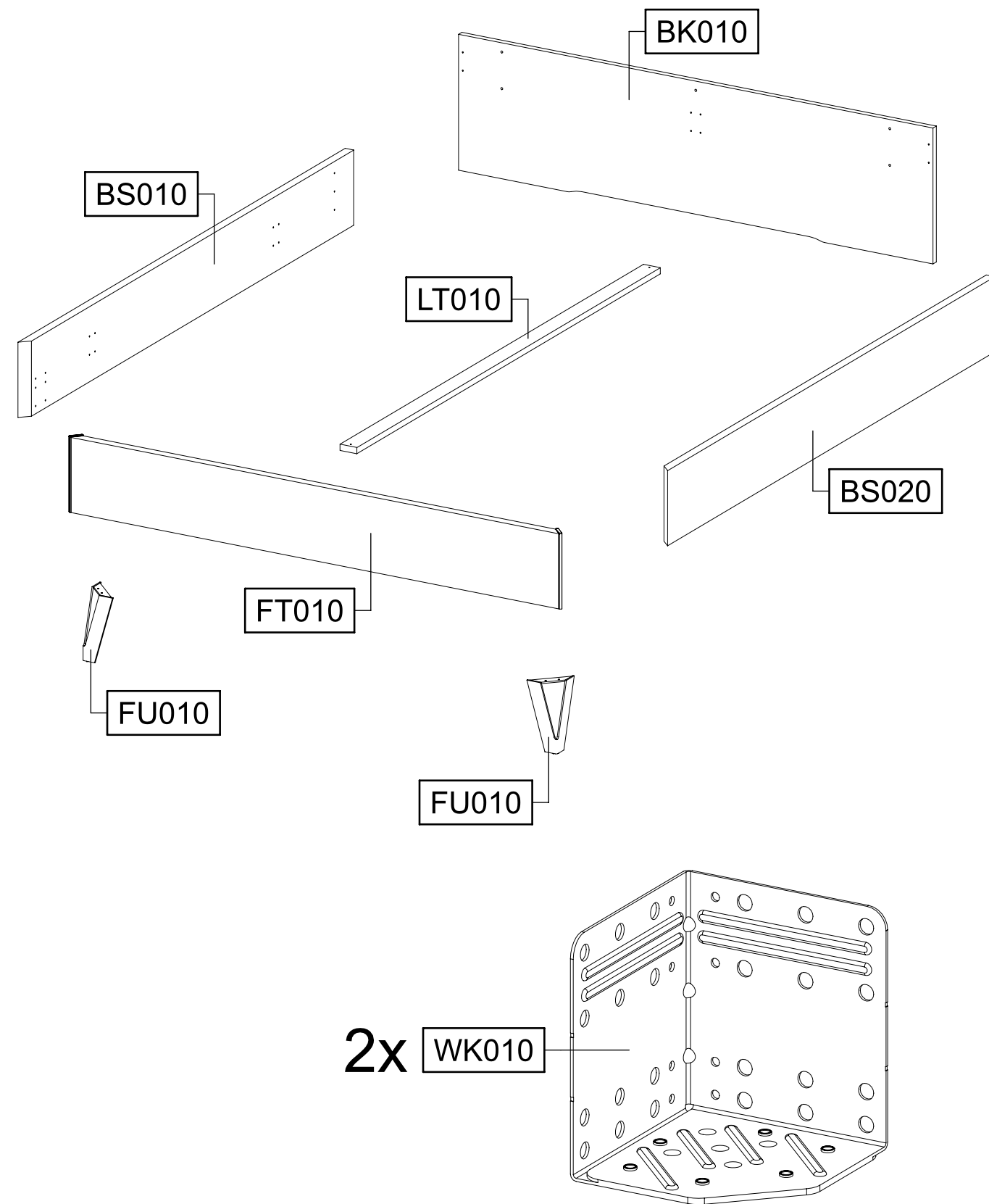
1.

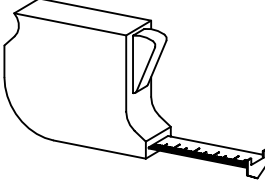
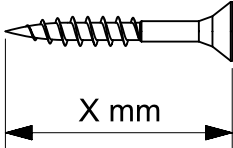
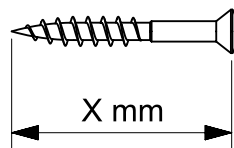
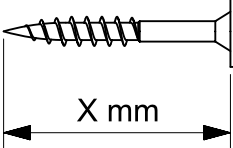
MD114_02

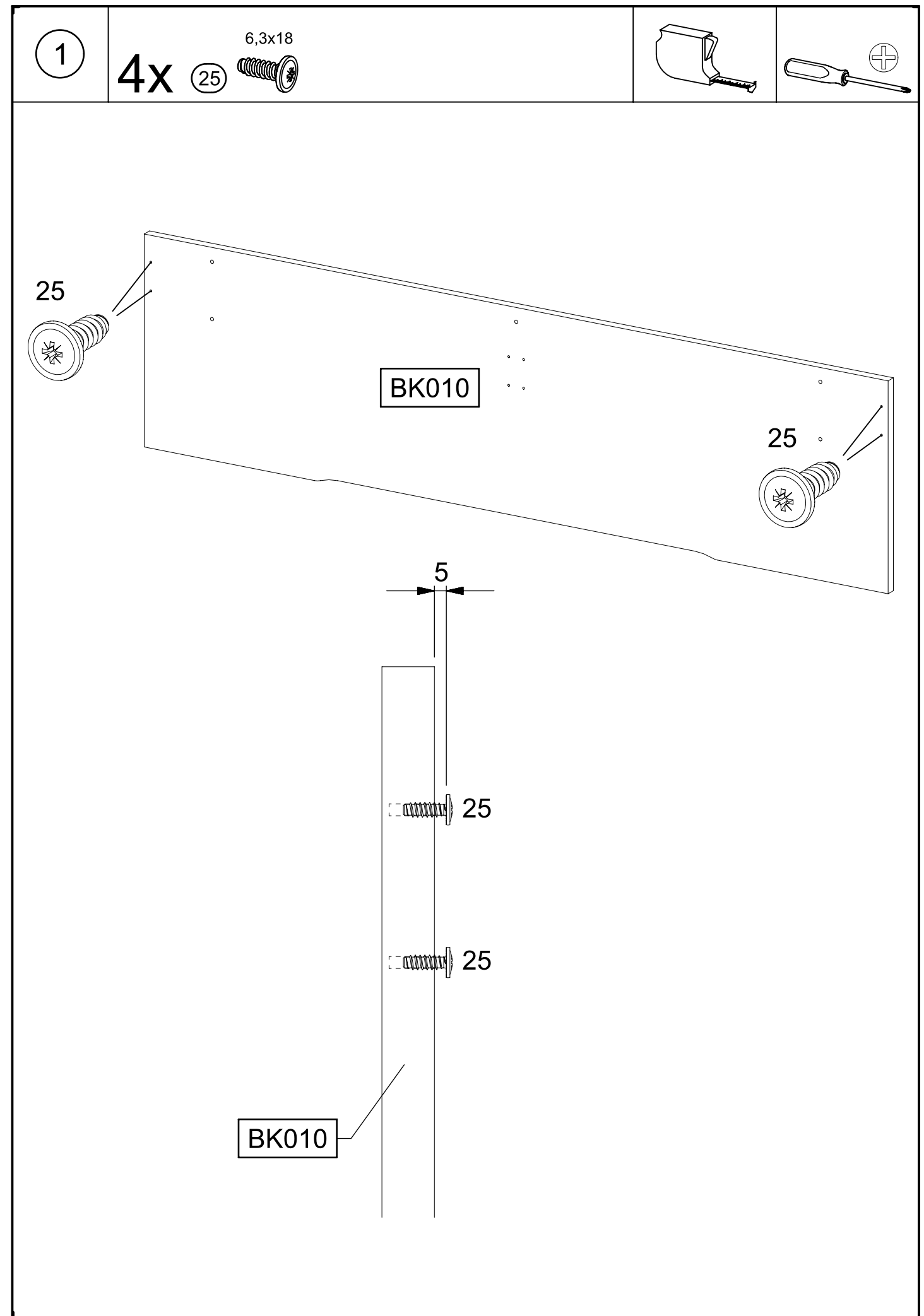
rauch

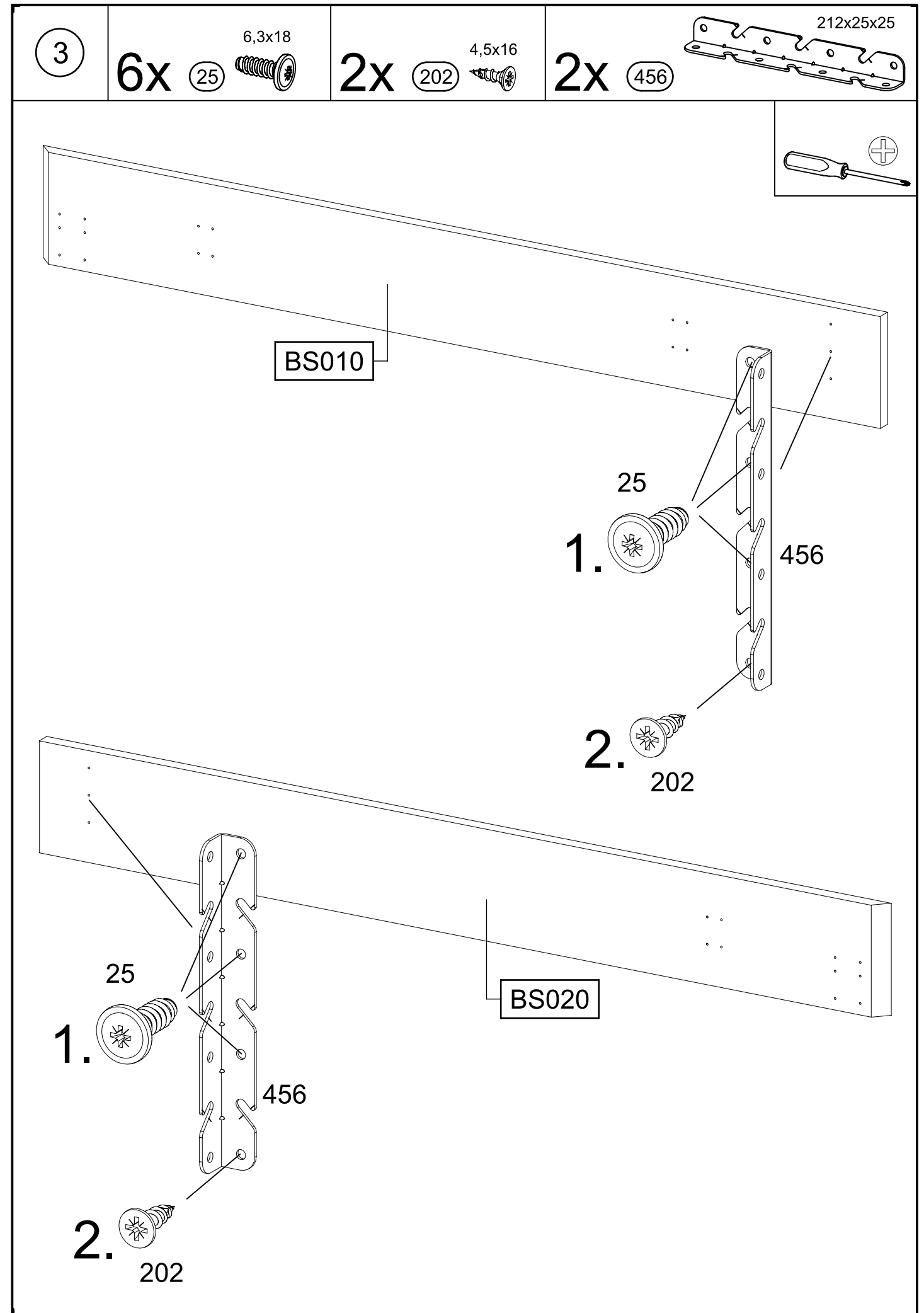
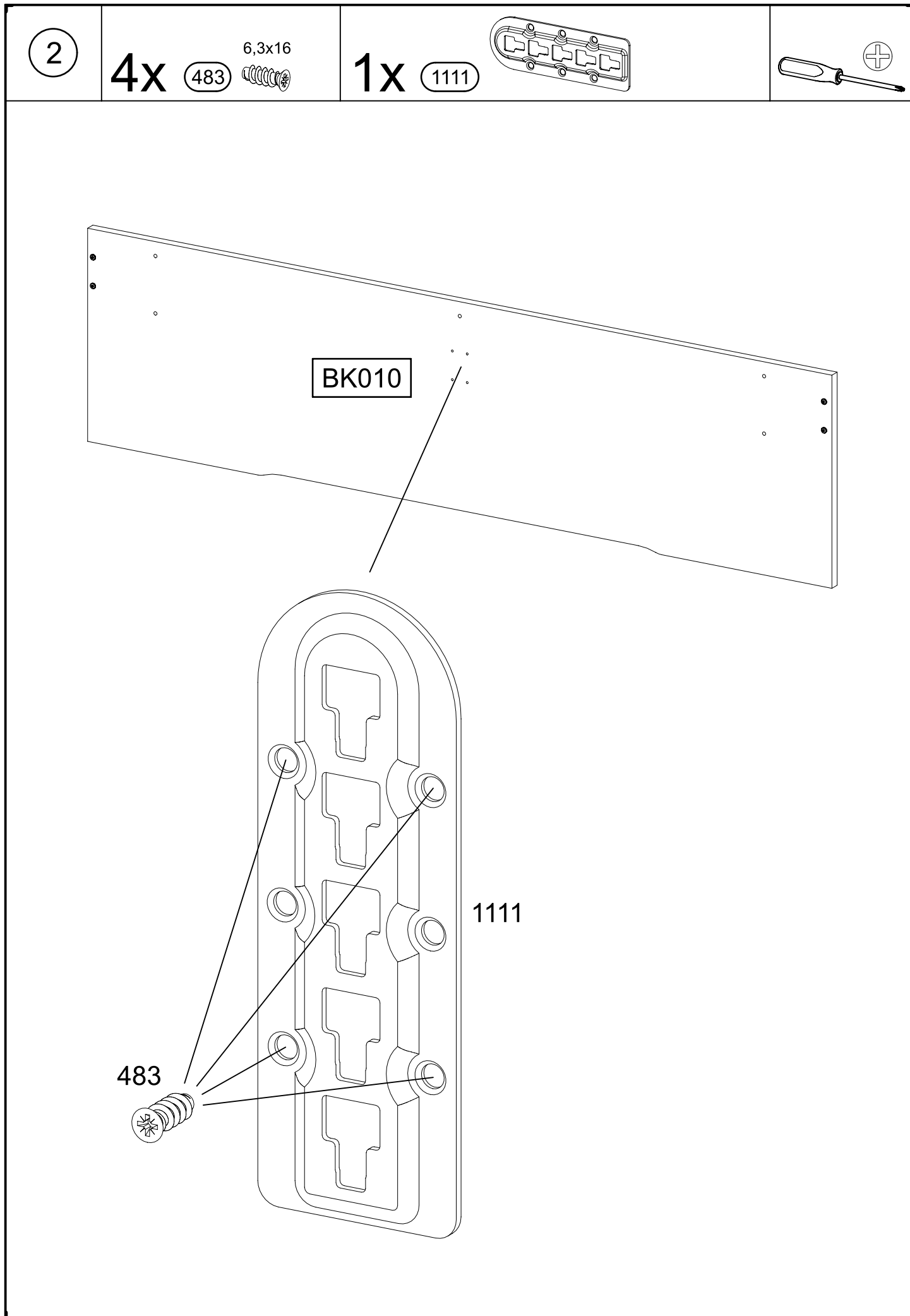


2.

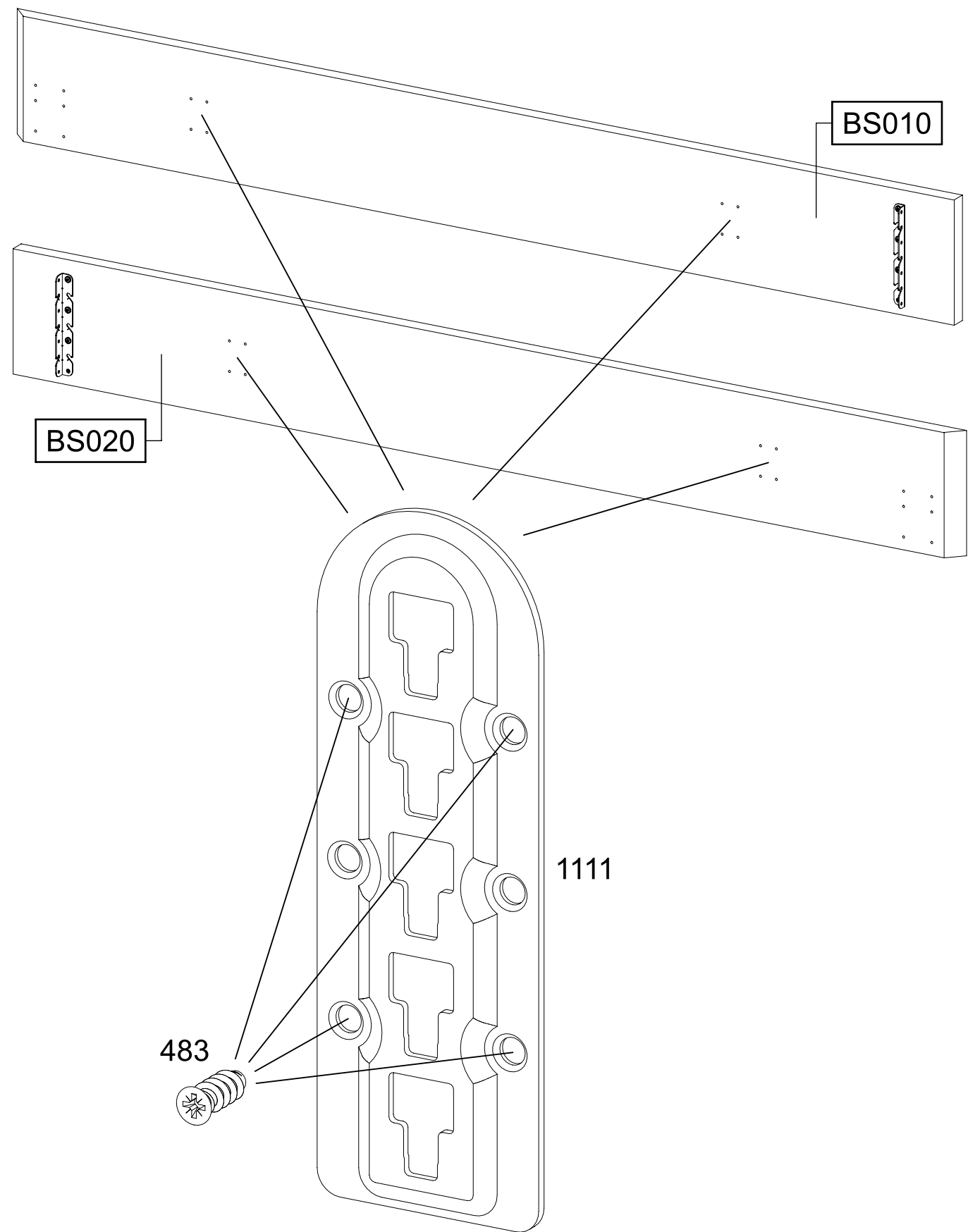
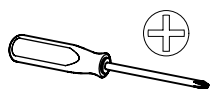
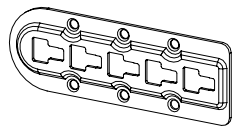


10x 6,3x18 25	2x M4 176	2x 197	8x 4,5x16 202
4x M6x20 221	24x 6,3x25 242	4x 4x21 243	
3x 4x20 427	2x 212x25x25 456		
24x 6,3x16 483	4x 4x40 525	2x M4x35 571	
4x 10/5x22 581	6x 1111		
6x 1112	1x 1118		
1x 1119	1x 1120		
			

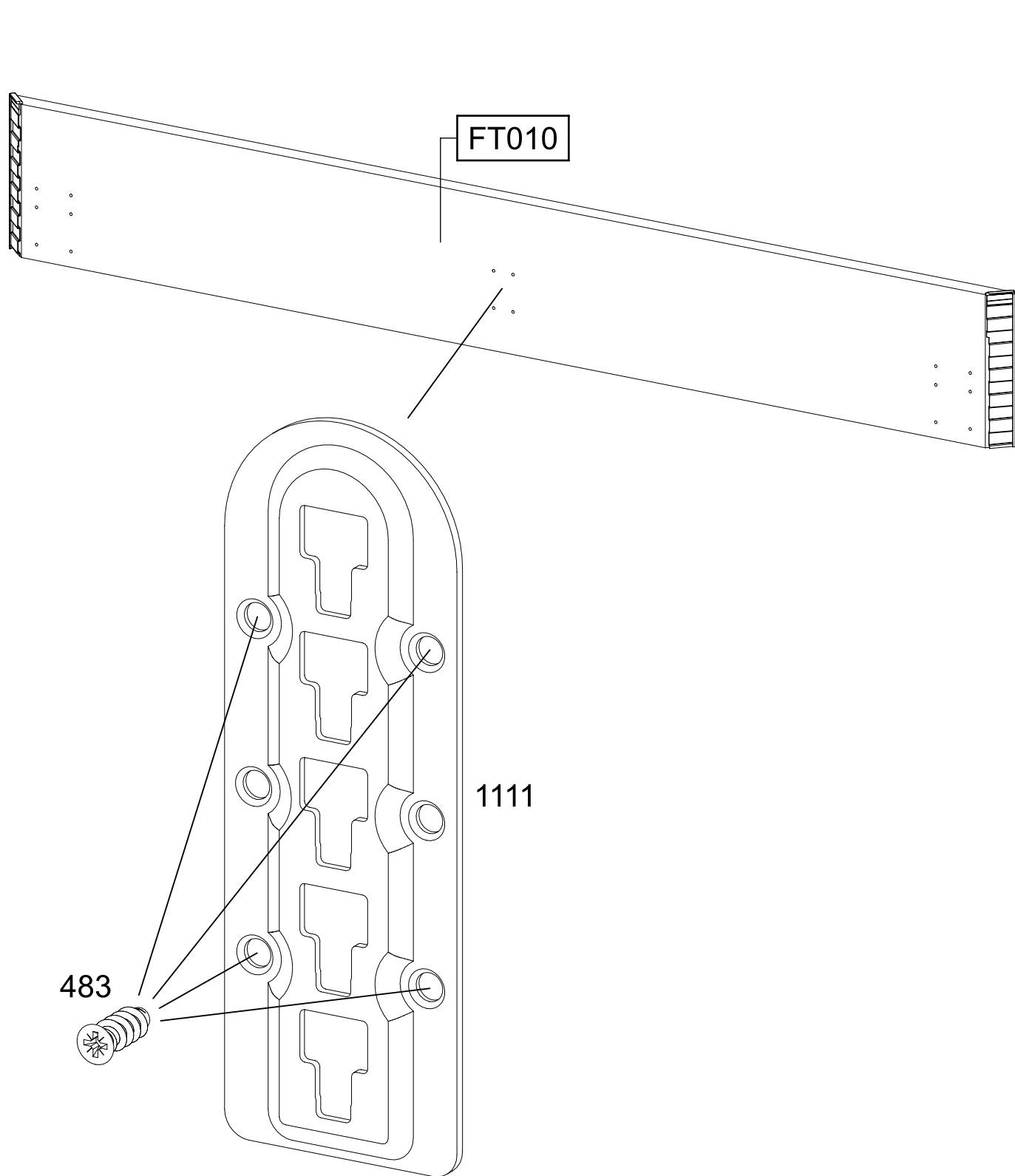
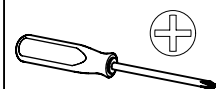
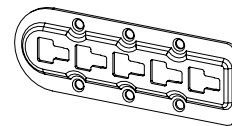




4 16x 6,3x16 483 4x 1111



5 4x 6,3x16 483 1x 1111

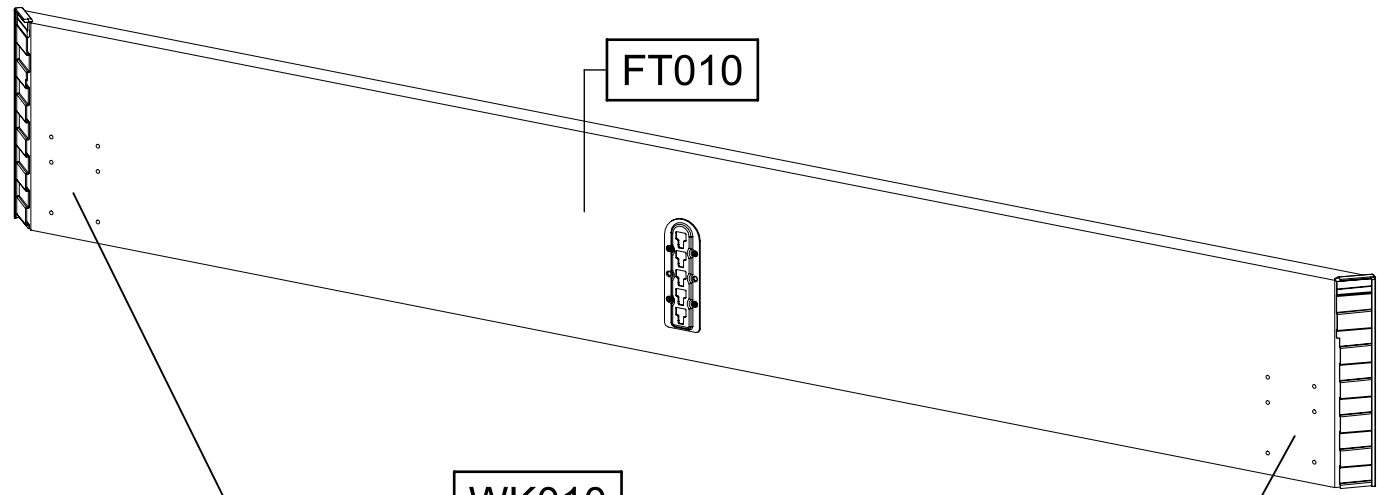
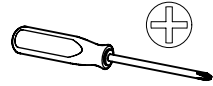
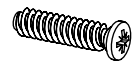


6

12x

242

6,3x25



FT010

WK010

WK010

242

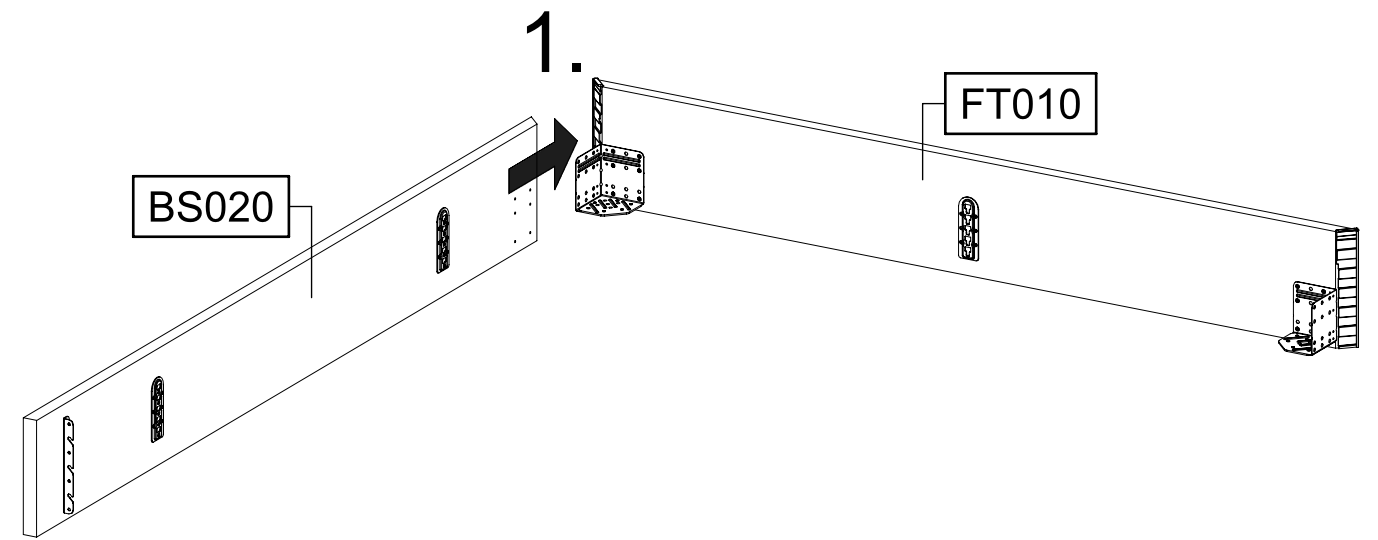
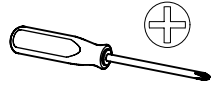
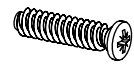
242

7

6x

242

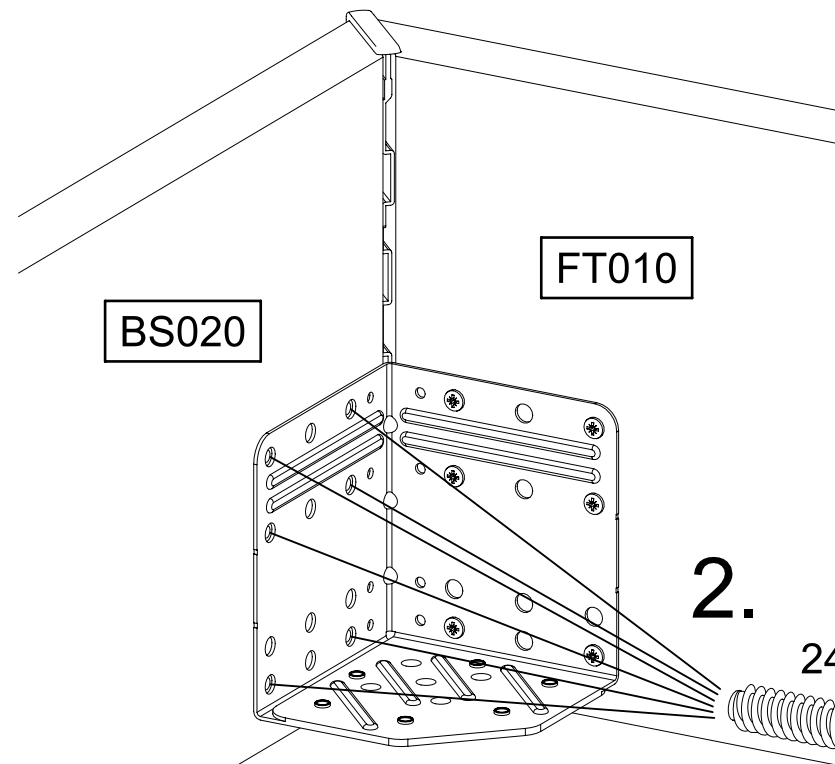
6,3x25



BS020

1.

FT010

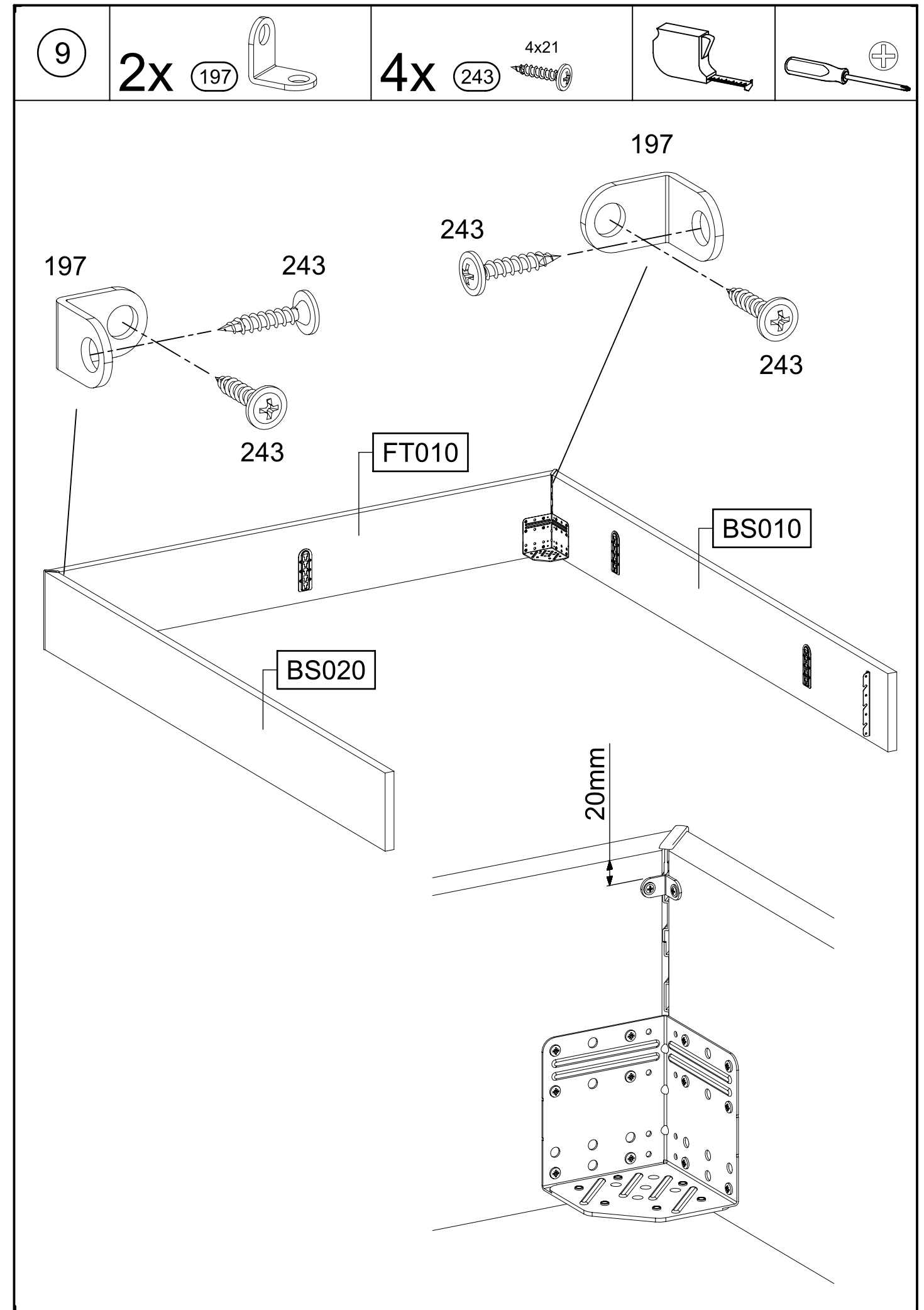
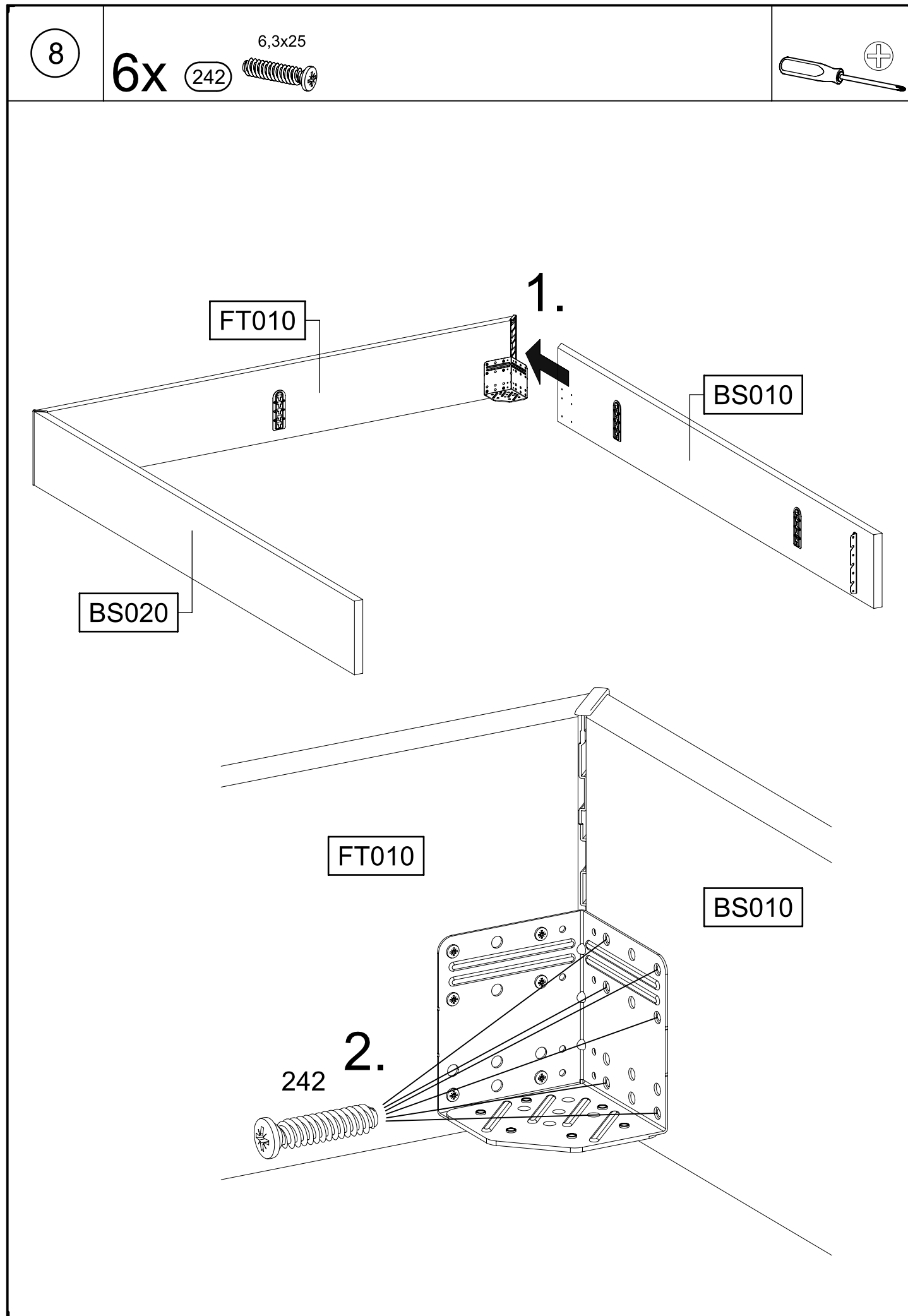


BS020

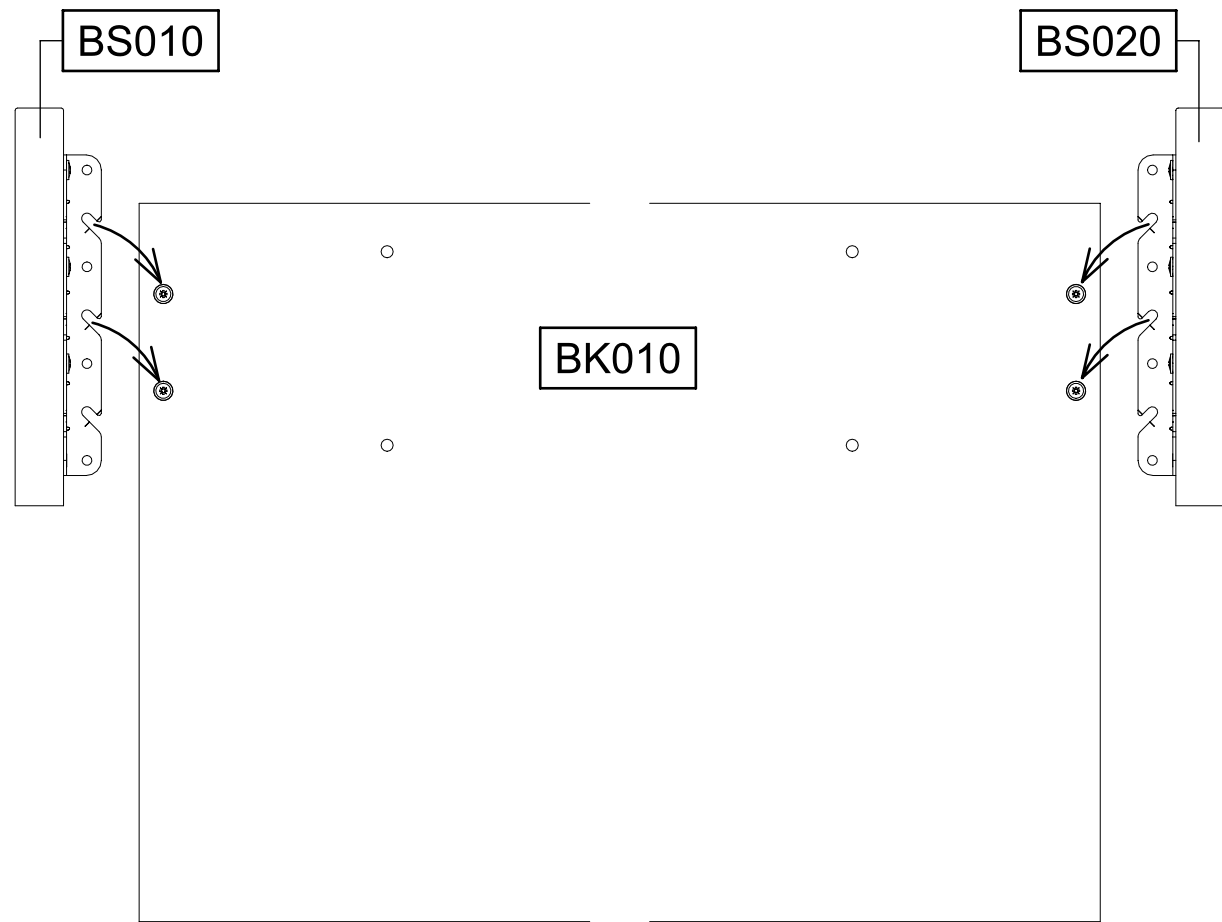
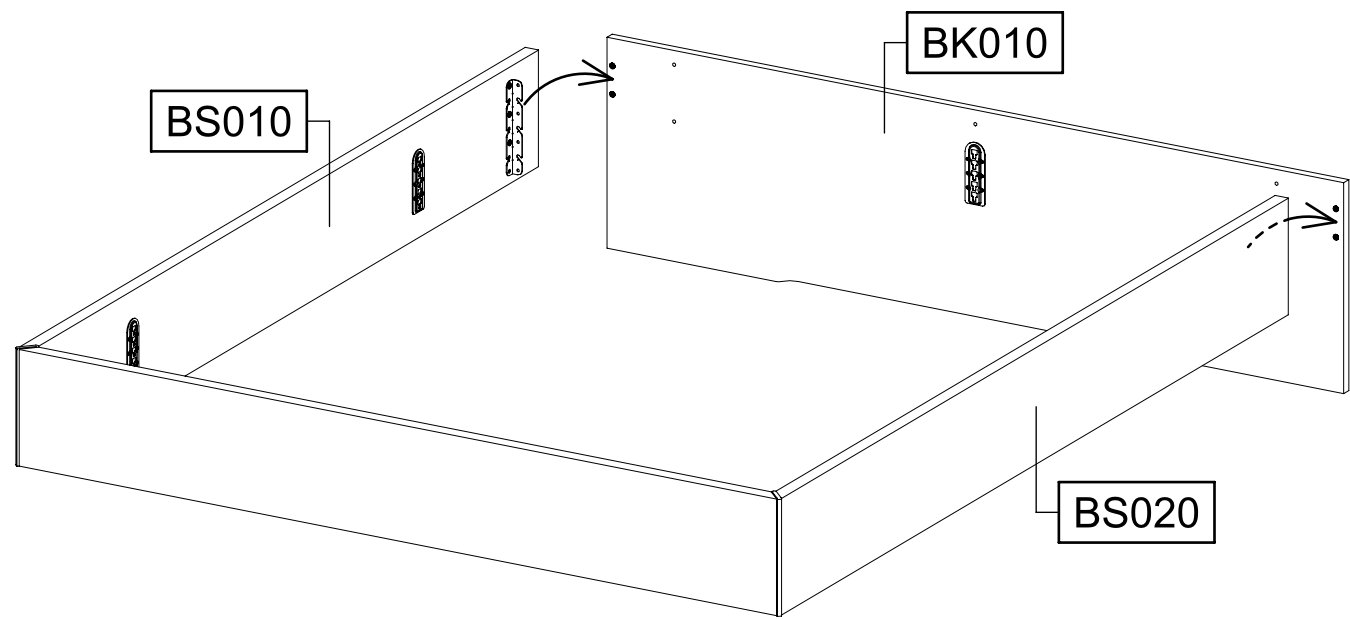
FT010

2.

242

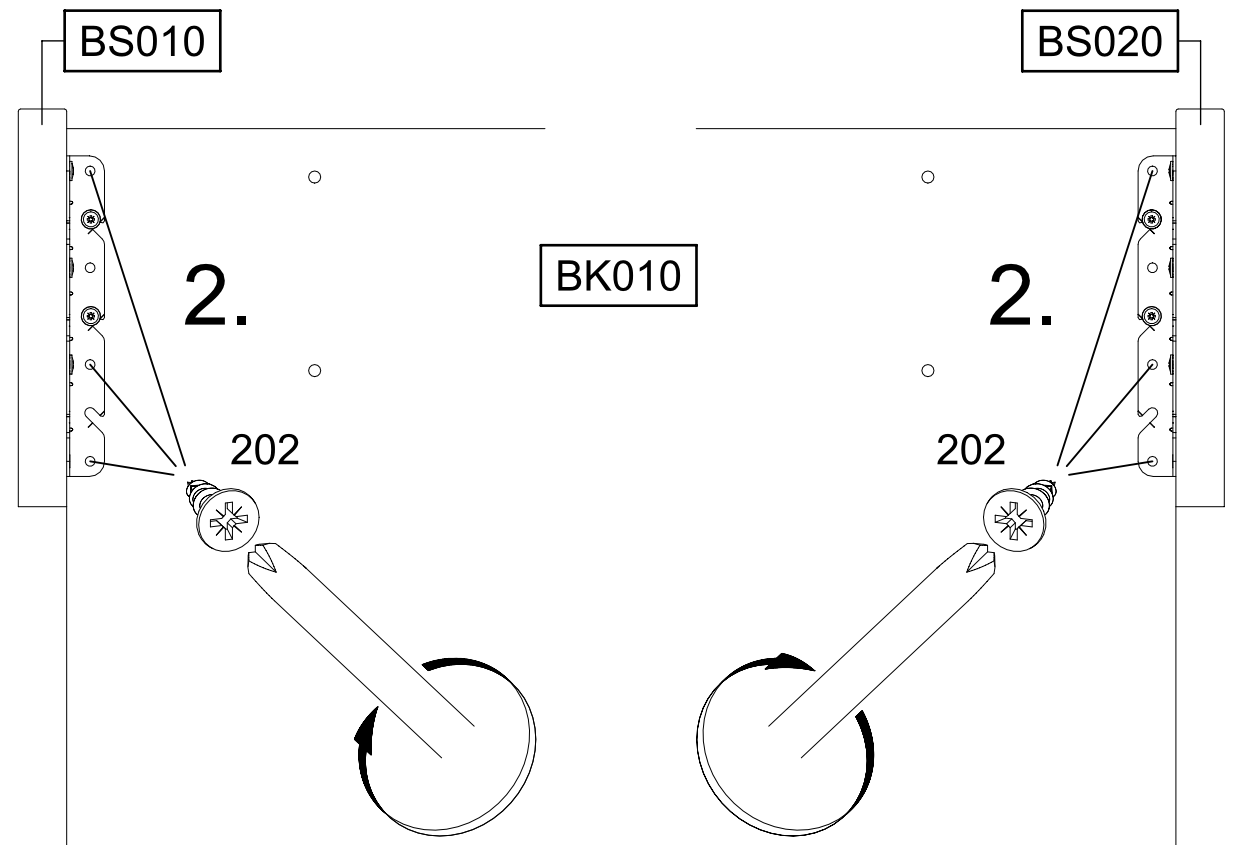
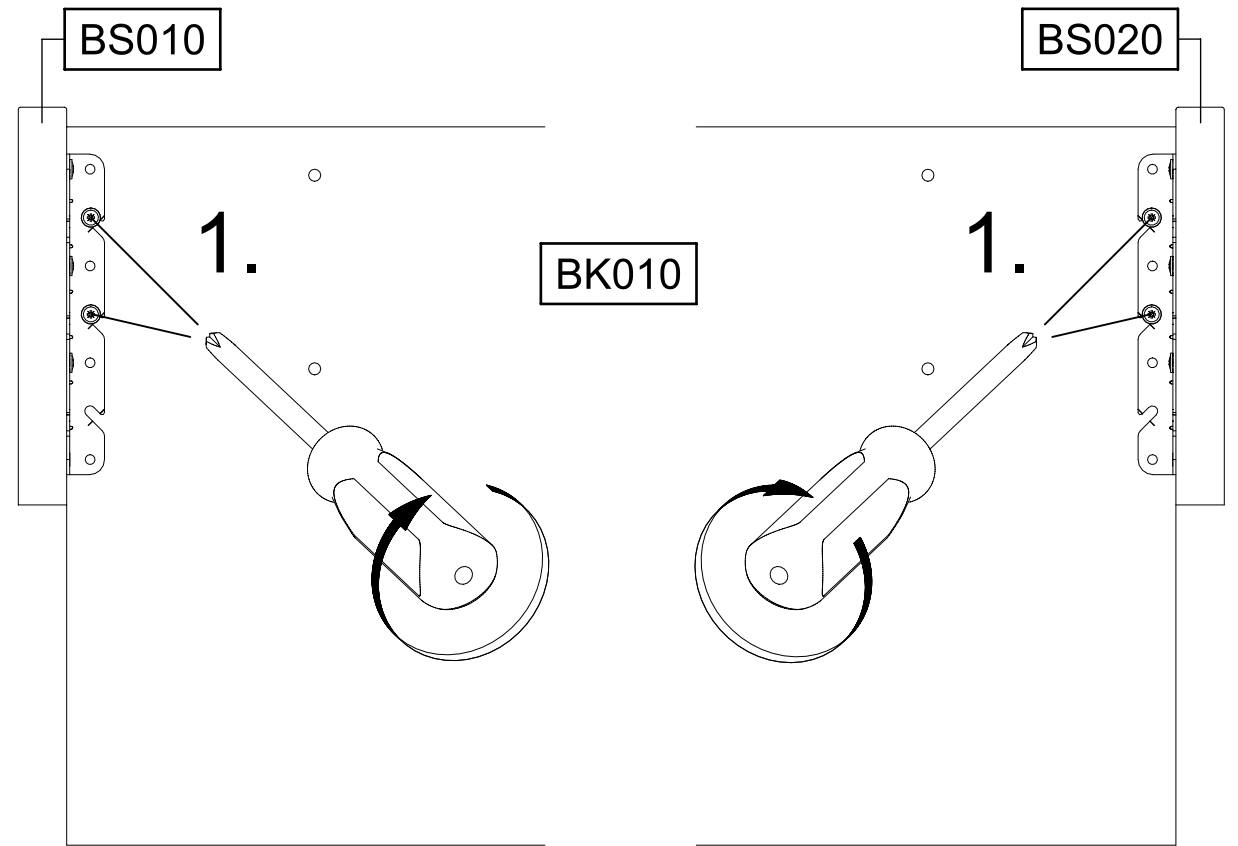
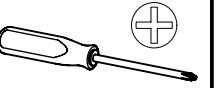


10



11

6x 4,5x16
202

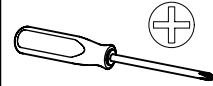
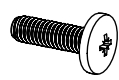


12

4x

221

M6x20

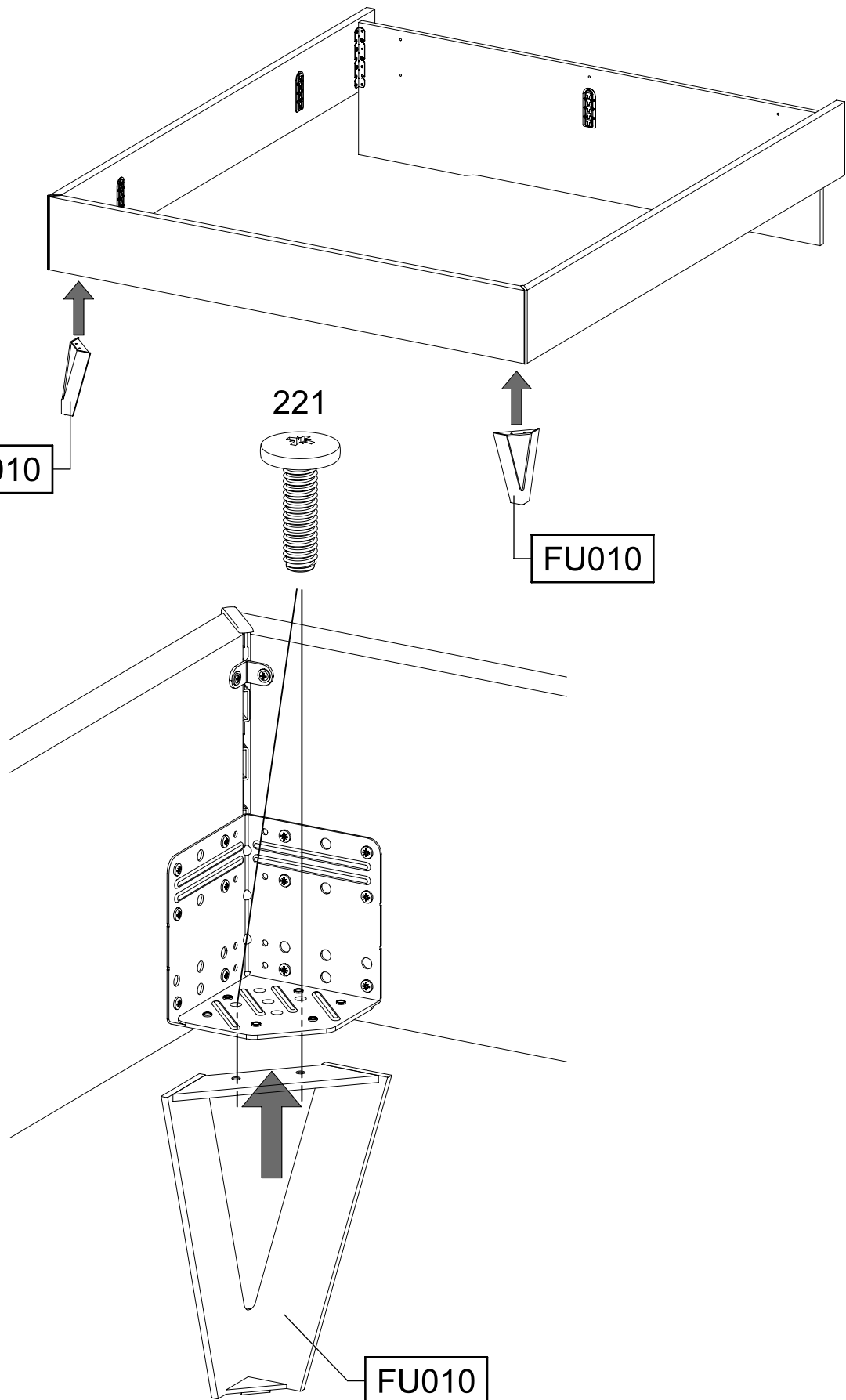


FU010

221

FU010

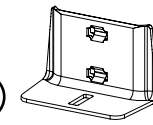
FU010



13

4x

1112



BS010

1112

1112

BS020

1111

1.

2.

1112

BS010

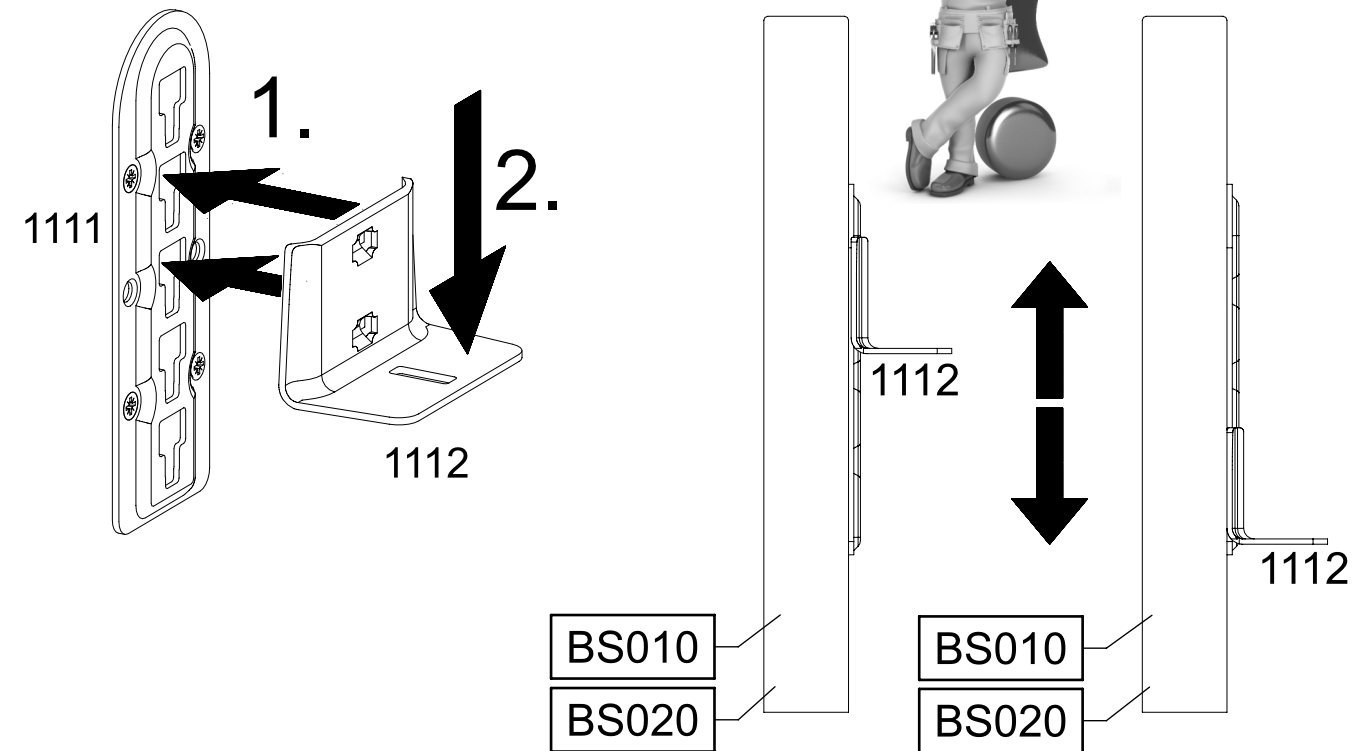
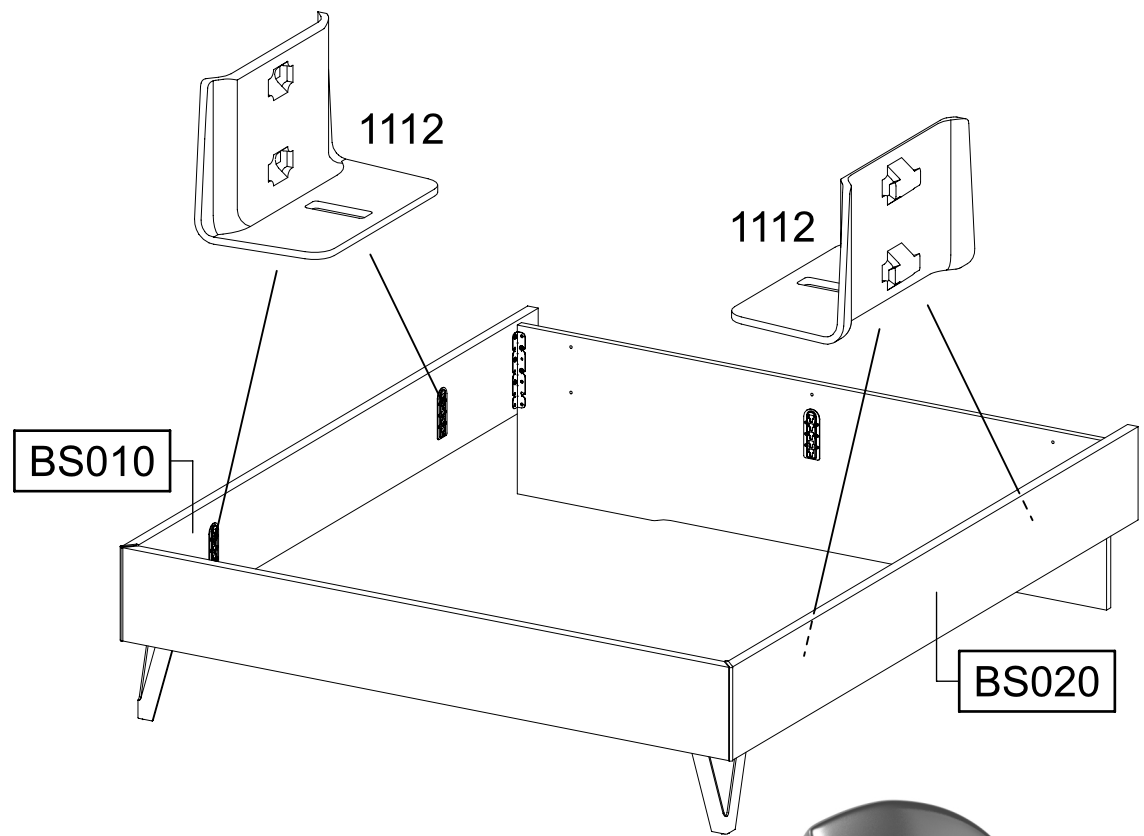
BS020

1112

BS010

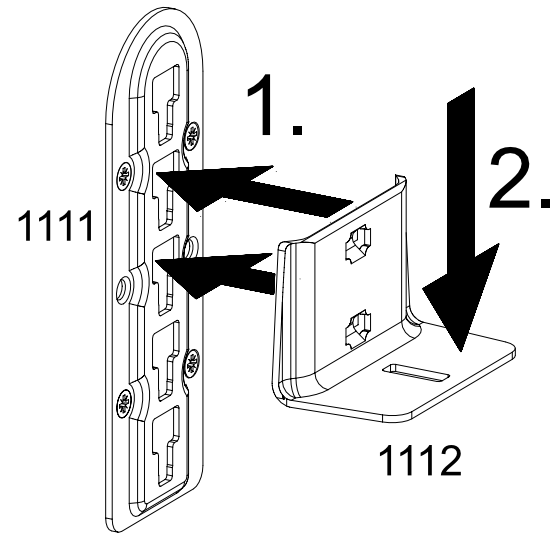
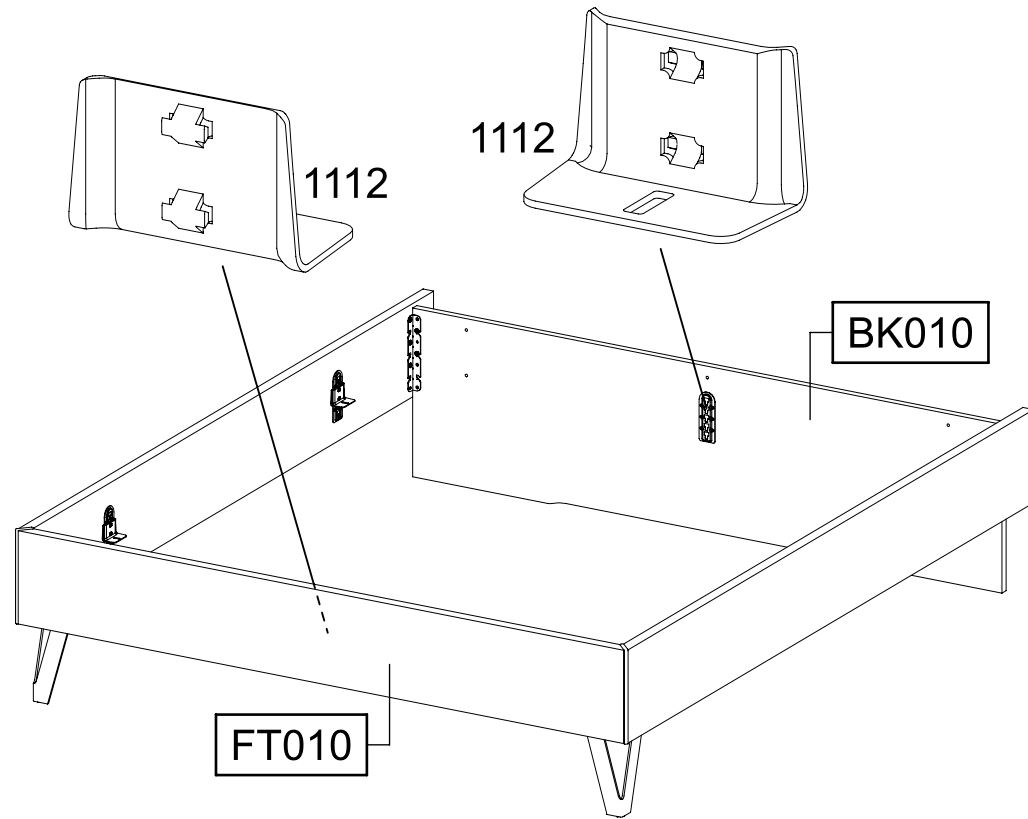
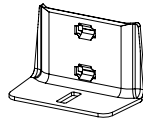
BS020

1112

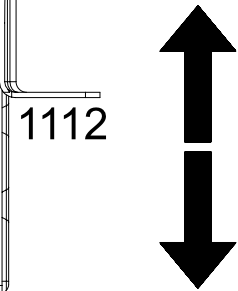


14

2x 1112



BK010
FT010



BK010
FT010

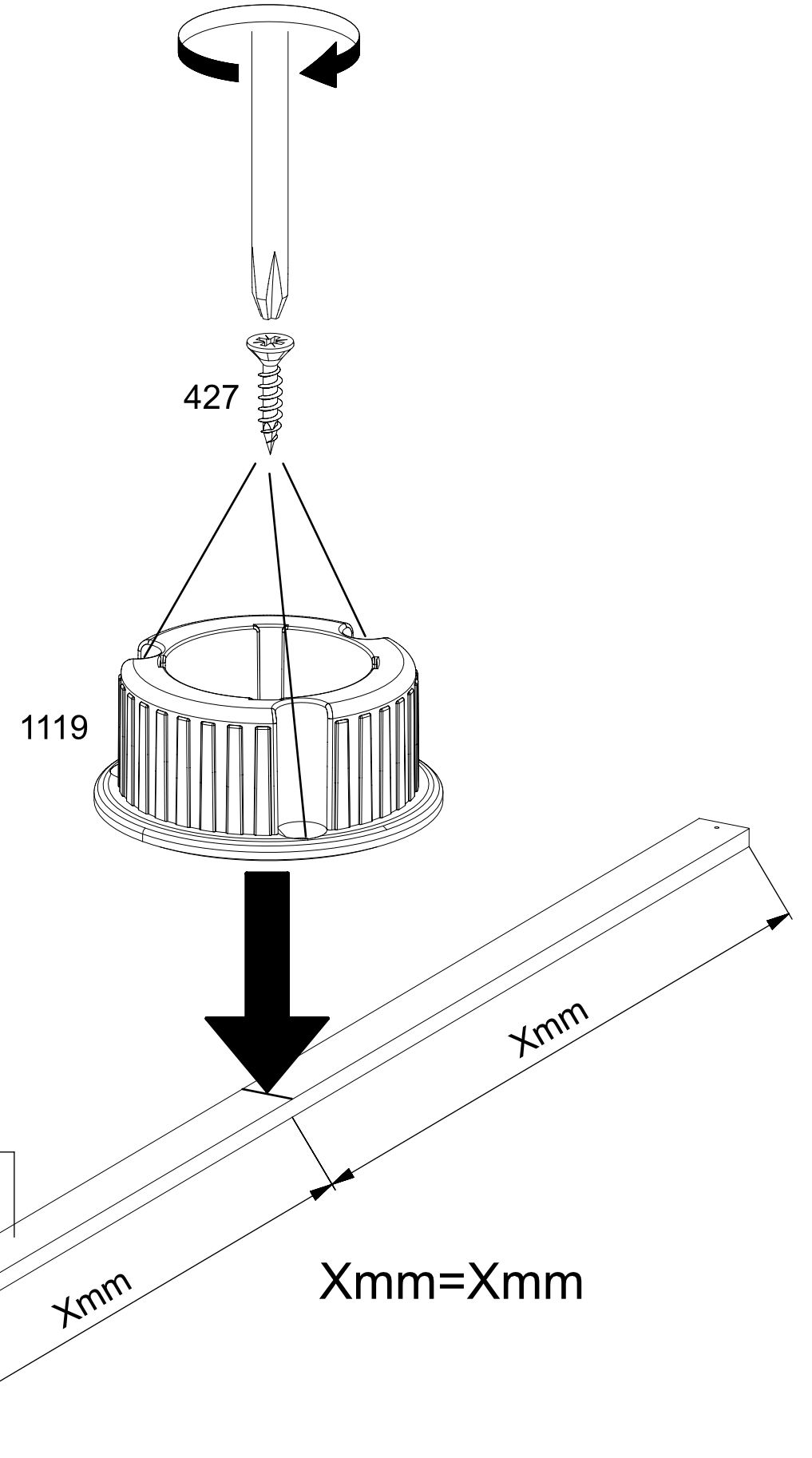
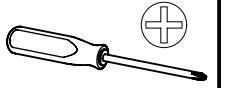
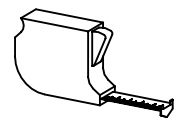
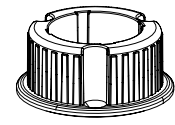
1112

15

3x 427

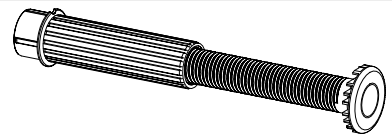


1x 1119

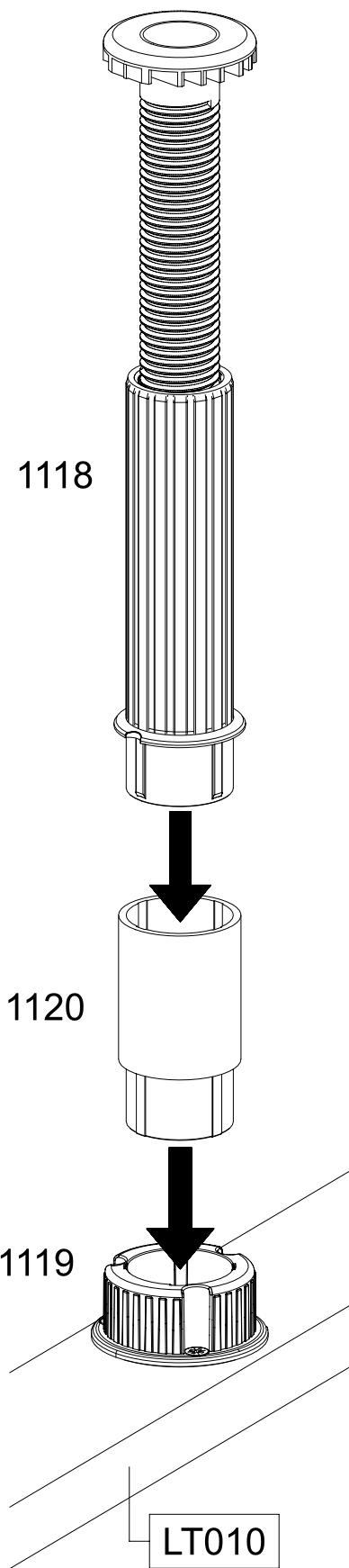
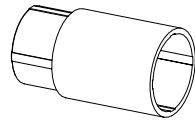


16

1x 1118



1x 1120

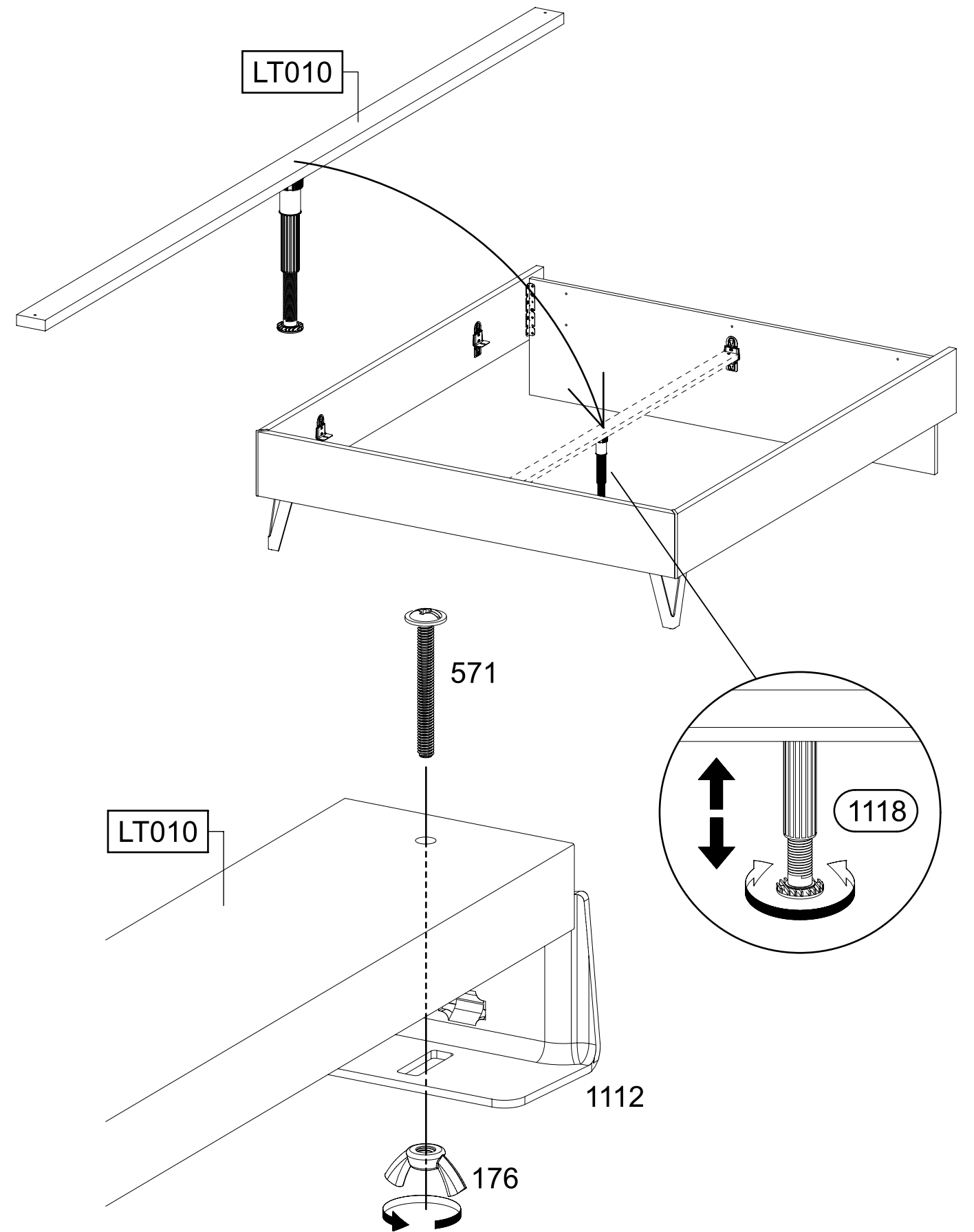
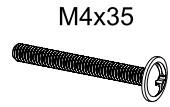


17

2x 176



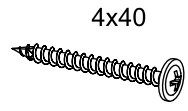
2x 571



18

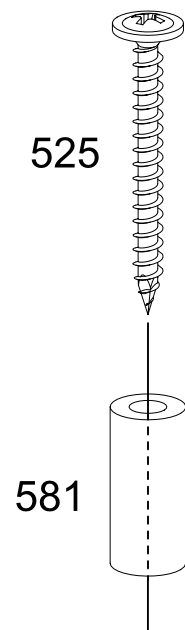
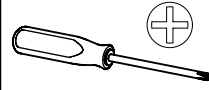
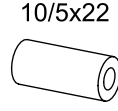
4x

525



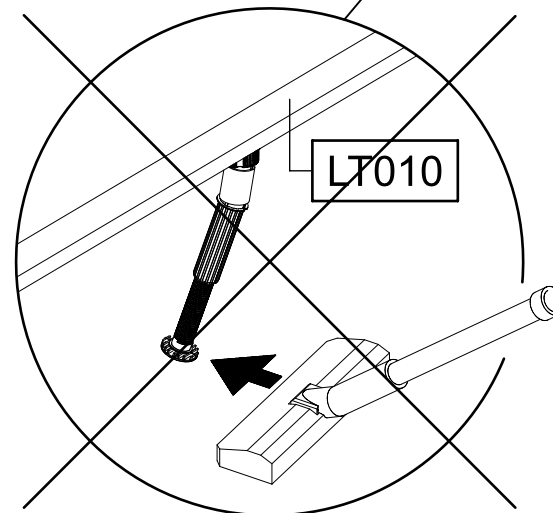
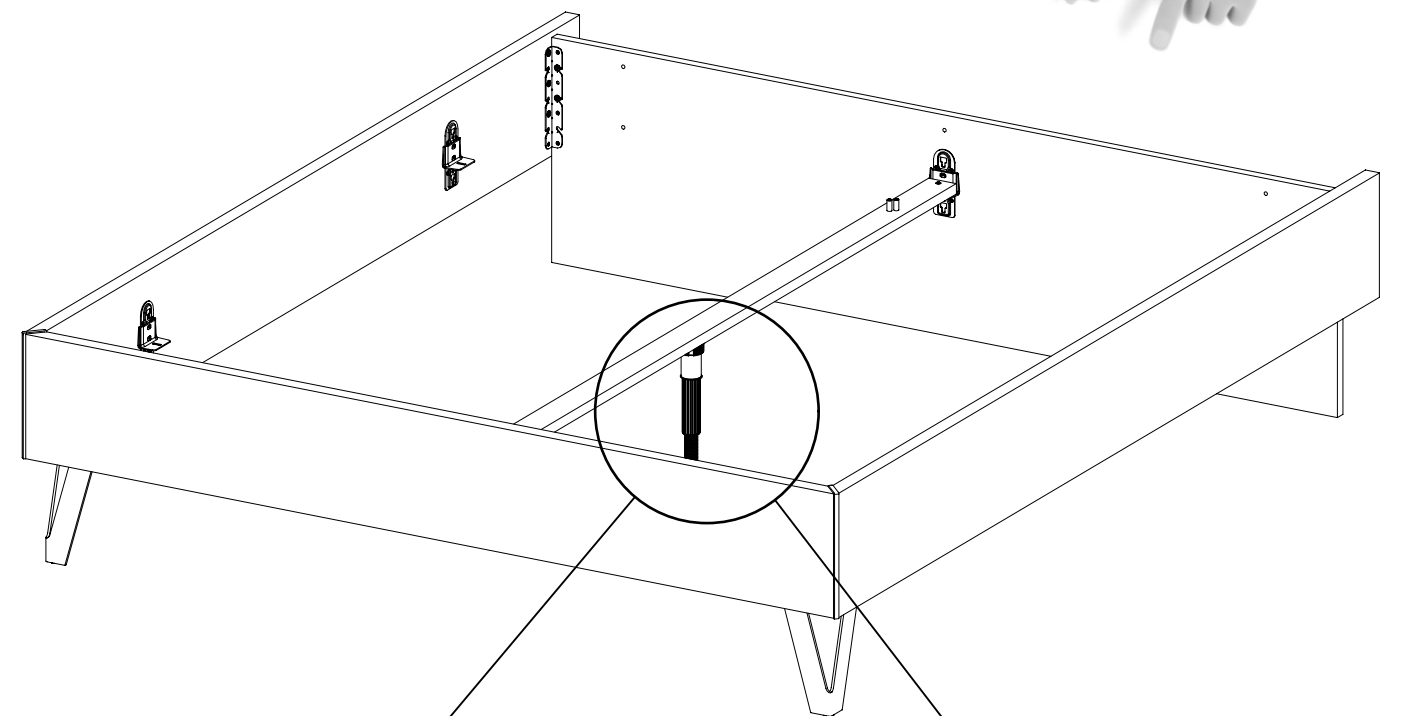
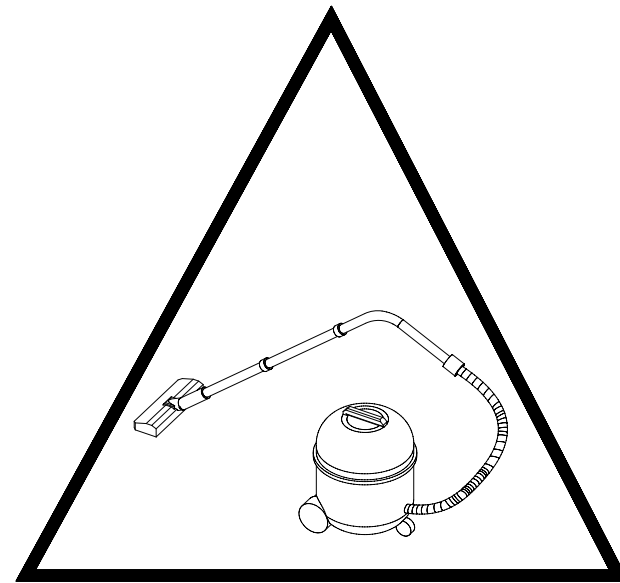
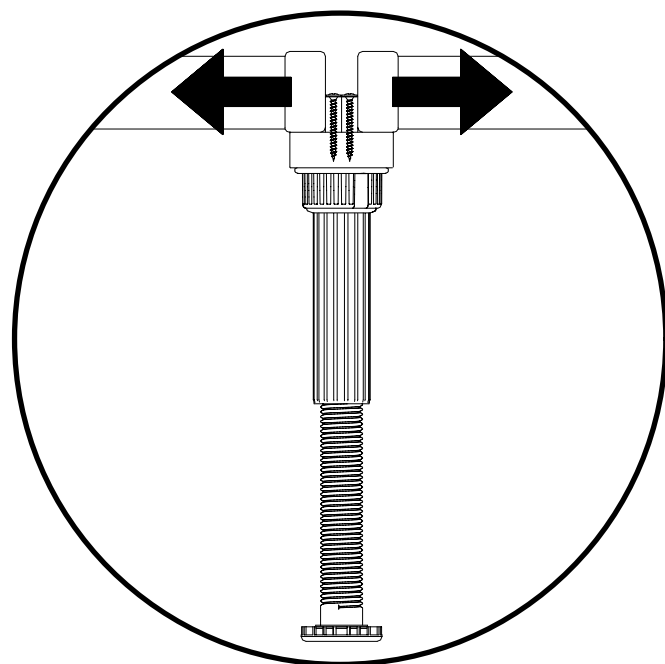
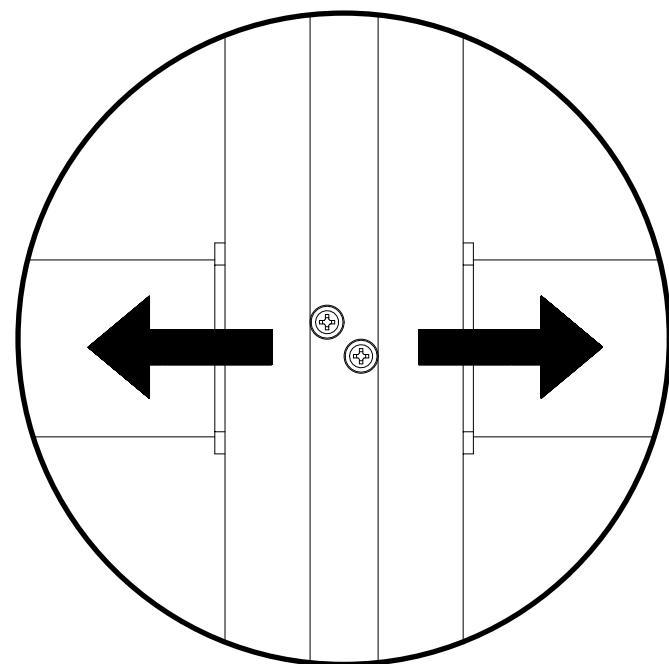
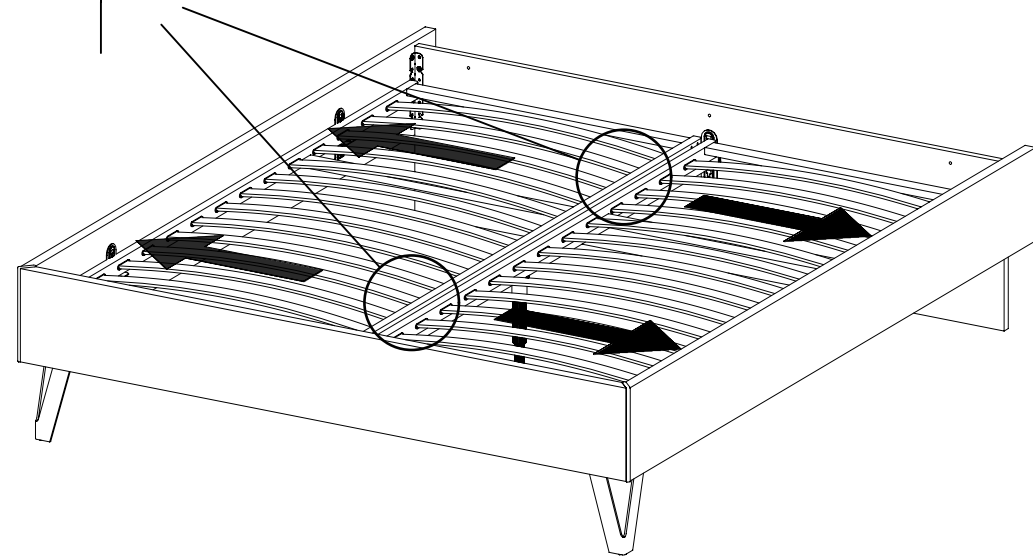
4x

581

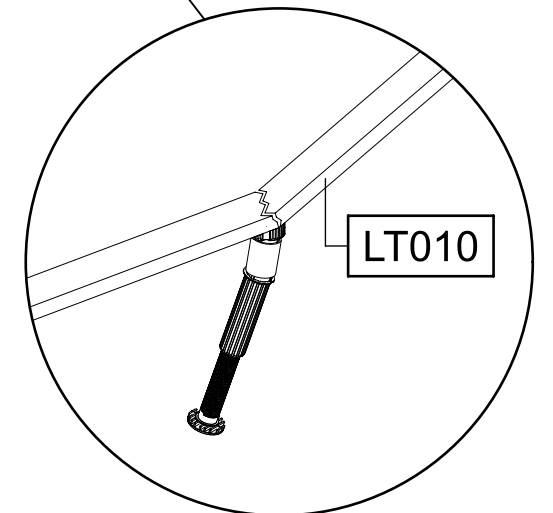


525

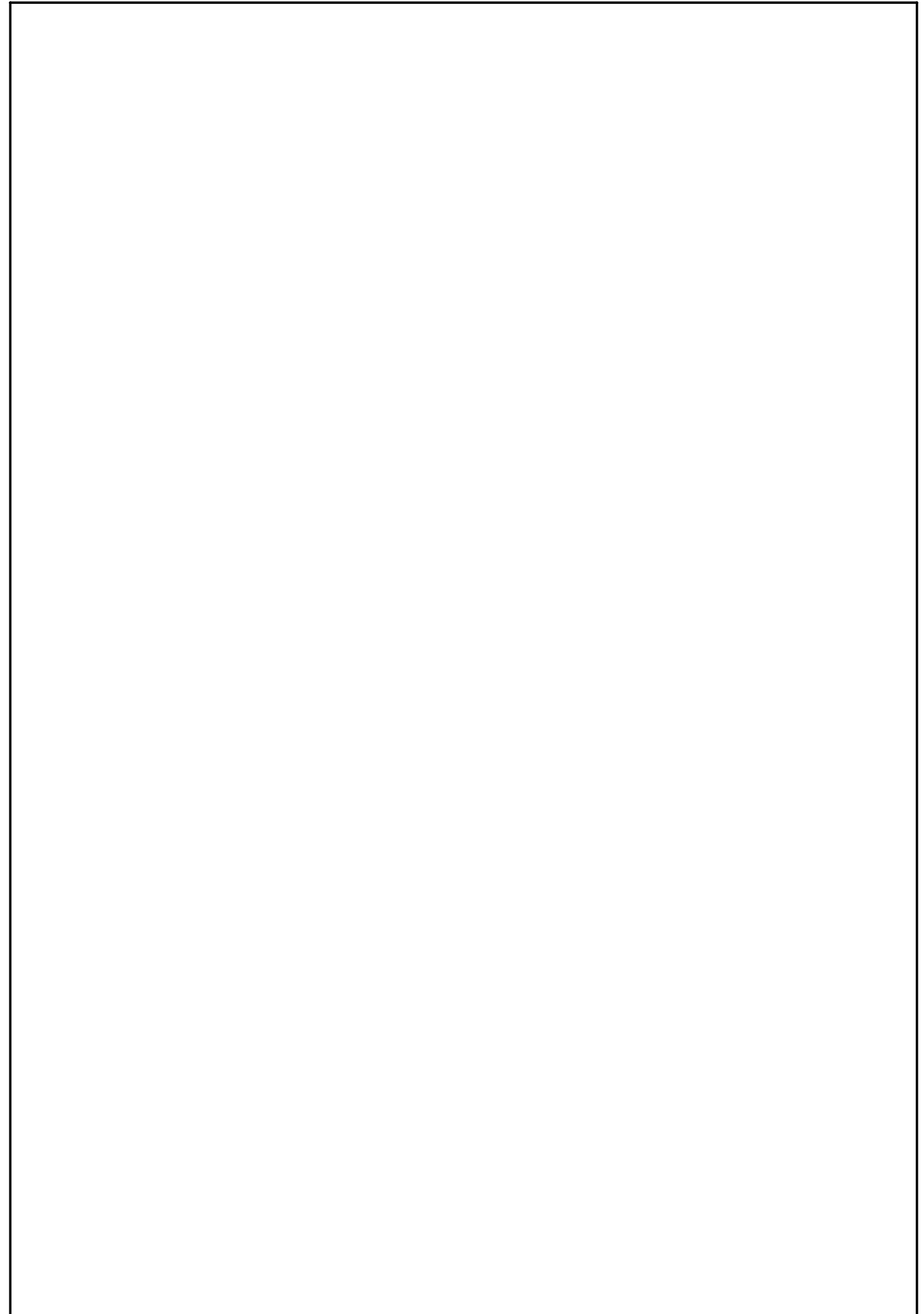
581



LT010

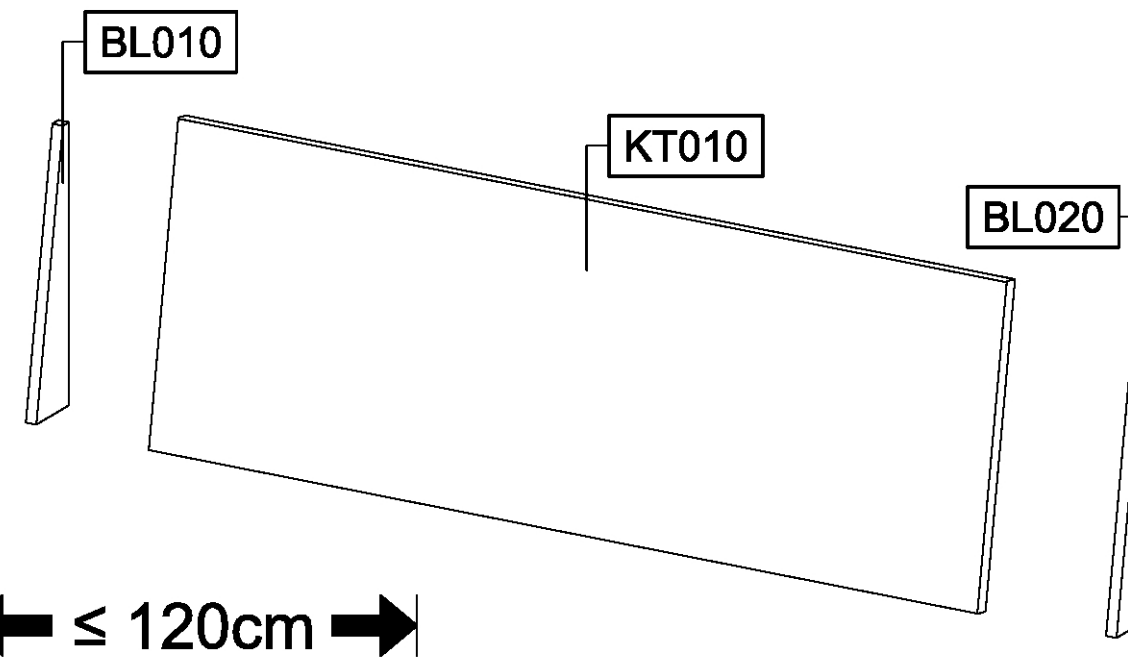
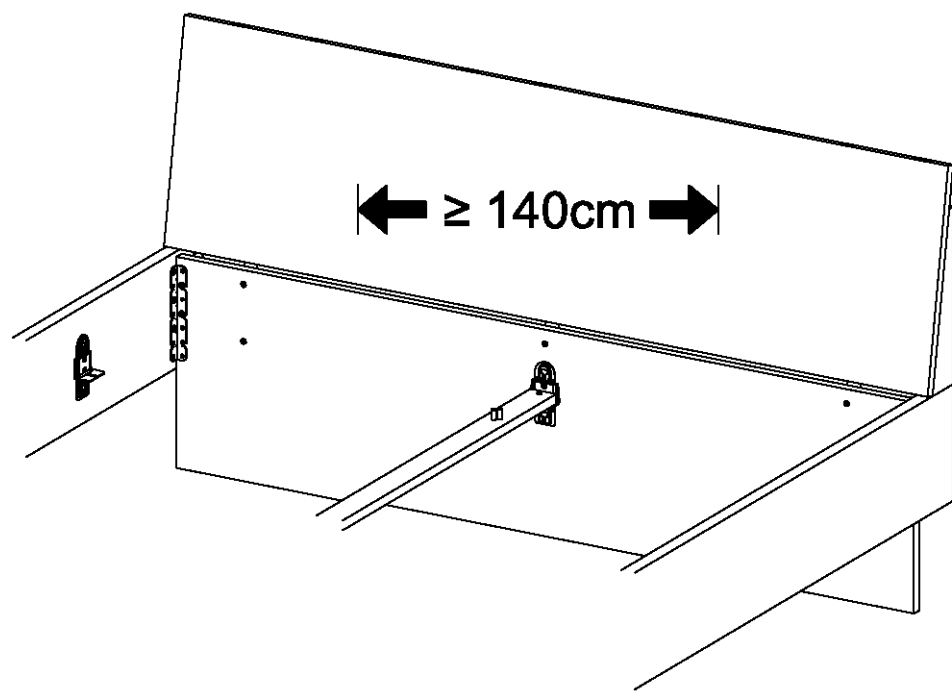
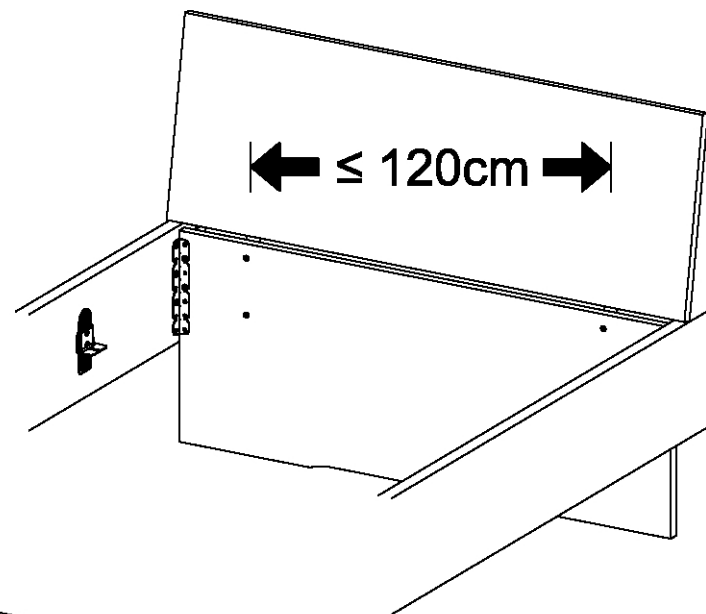
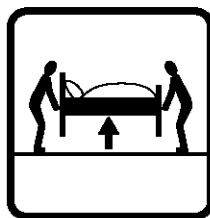
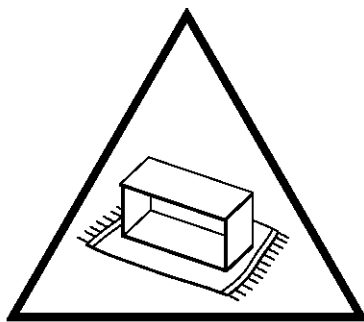
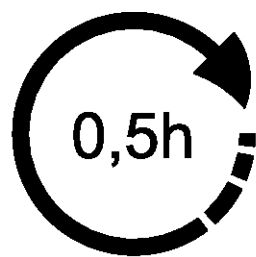
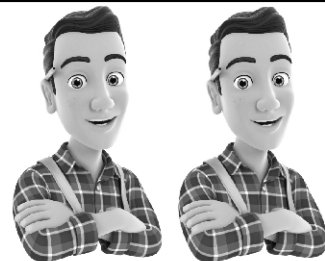
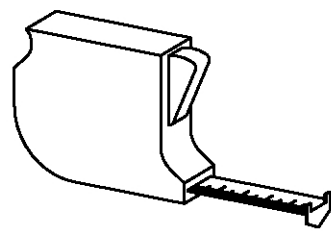
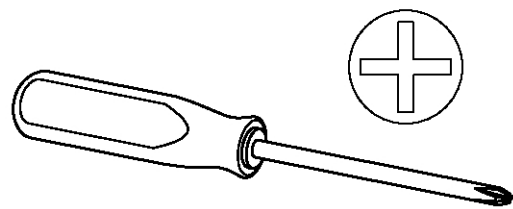


LT010



MZ159_01

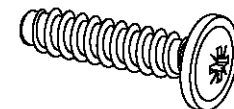
rauch



4x

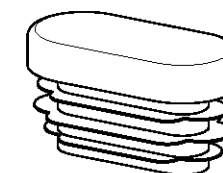
6,3x27

90



2x

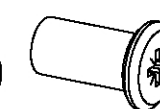
114



4x

M6

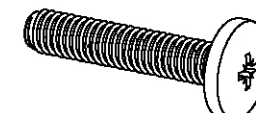
149



4x

M6x30

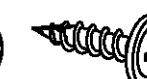
204



14x

4x17

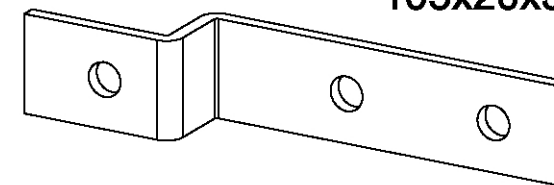
244



2x

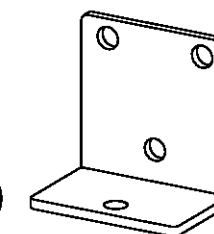
105x20x3

592



2x

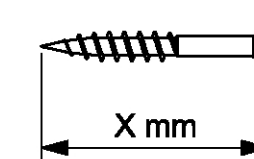
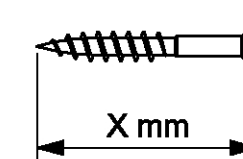
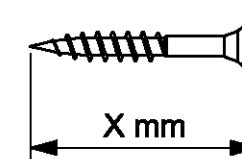
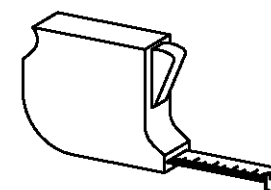
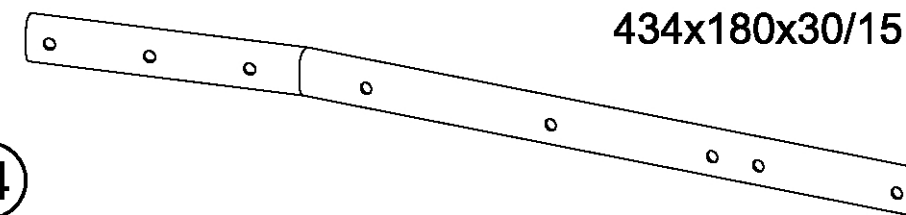
602

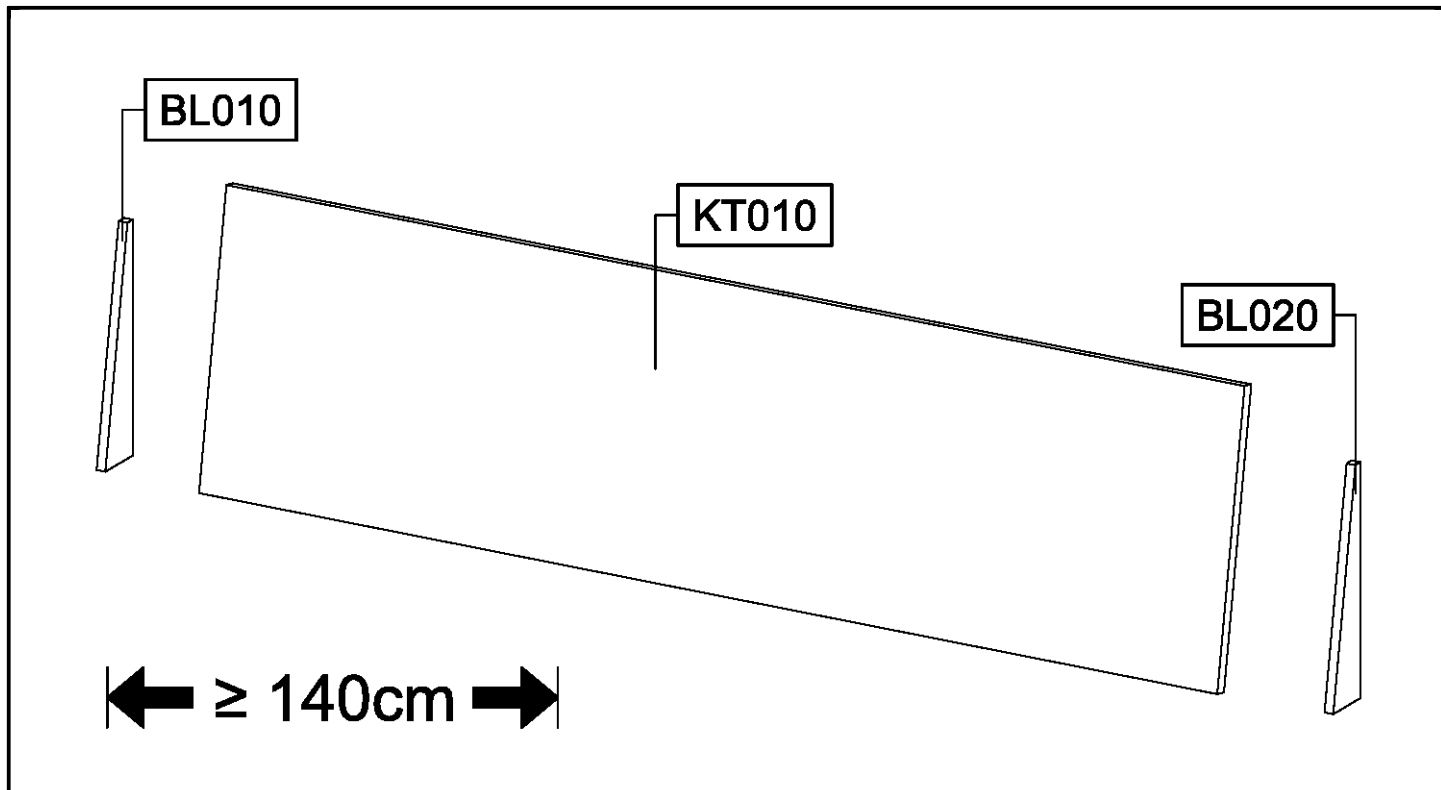


2x

434x180x30/15

904





<p>6x</p> <p>6,3x27</p> <p>90</p>	<p>3x</p> <p>114</p>	<p>5x</p> <p>M6</p> <p>149</p>
--	-----------------------------	---------------------------------------

<p>1x</p> <p>4x30</p> <p>203</p>	<p>5x</p> <p>M6x30</p> <p>204</p>	<p>14x</p> <p>4x17</p> <p>244</p>
---	--	--

<p>2x</p> <p>592</p>	<p>105x20x3</p>	<p>2x</p> <p>602</p>
-----------------------------	-----------------	-----------------------------

3x

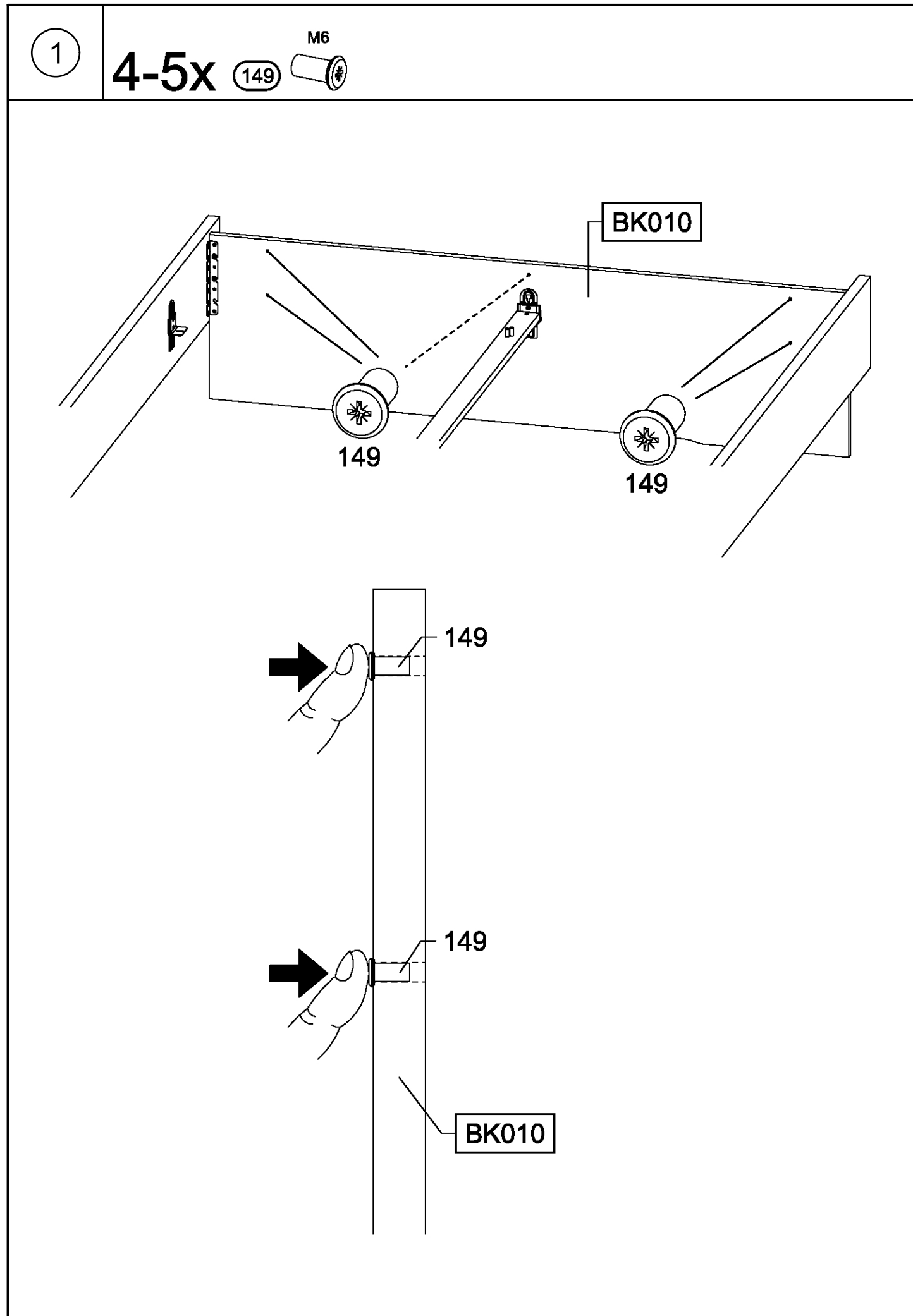
904

434x180x30/15

X mm

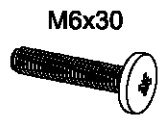
X mm

X mm

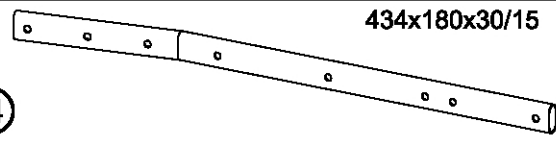


2

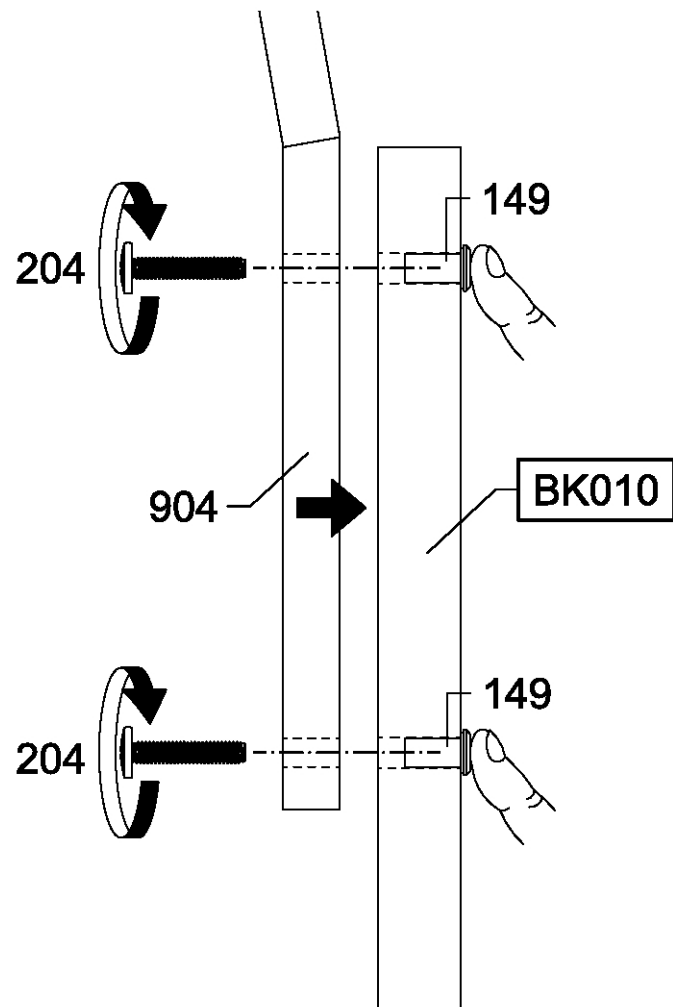
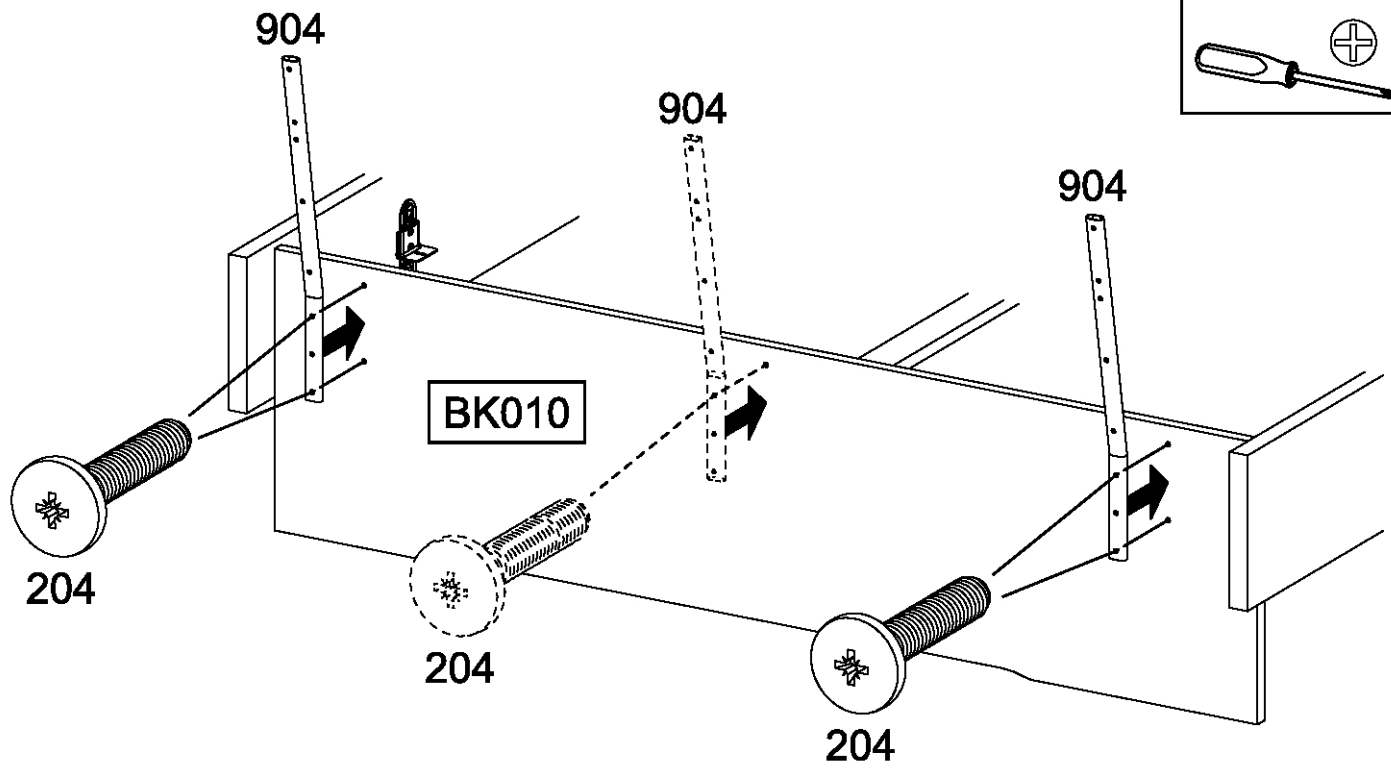
4-5x (204)



2-3x (904)

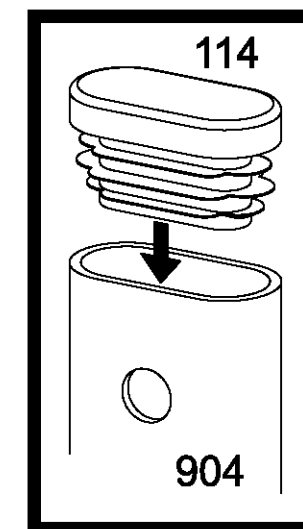
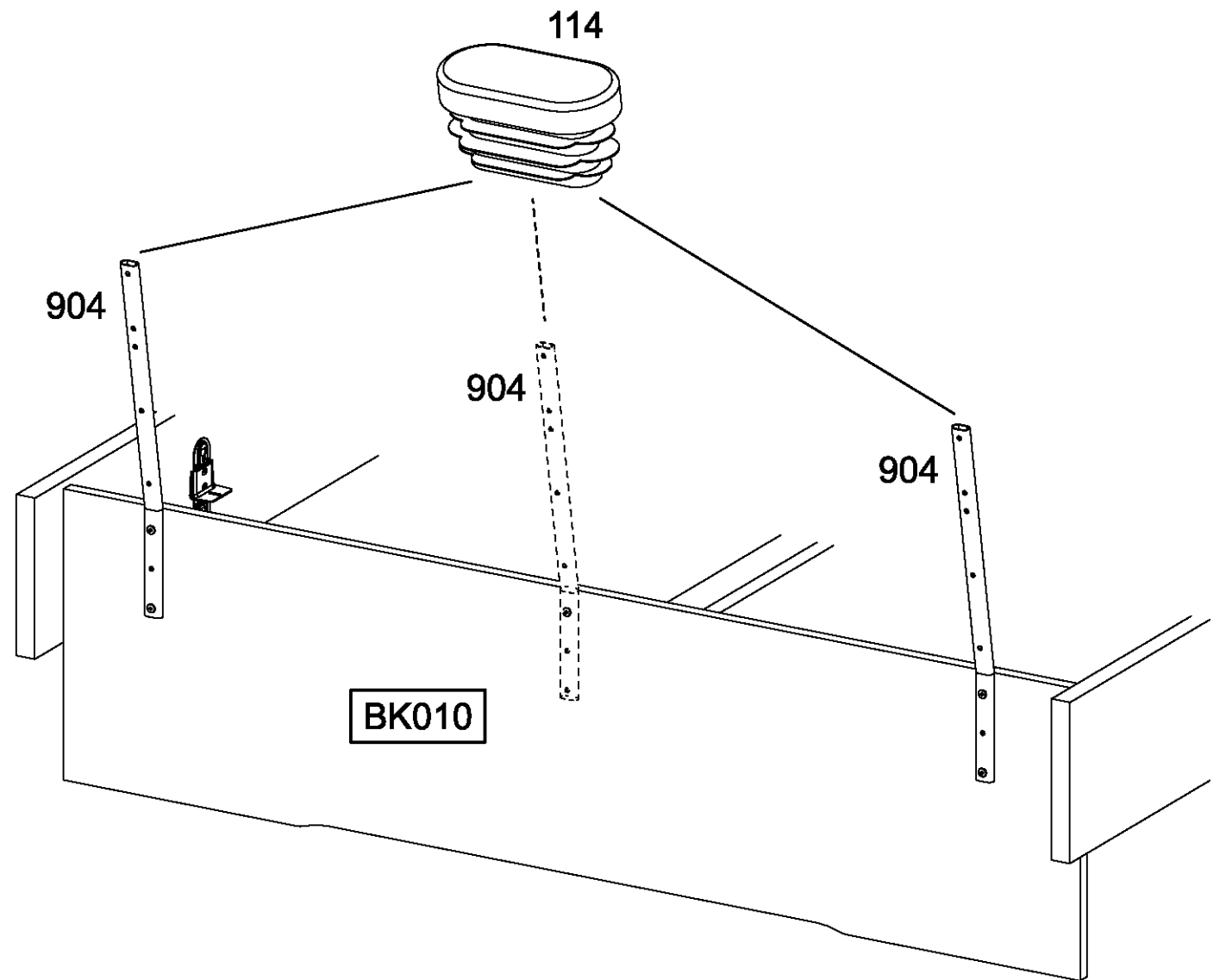
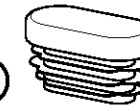


434x180x30/15



3

2-3x (114)

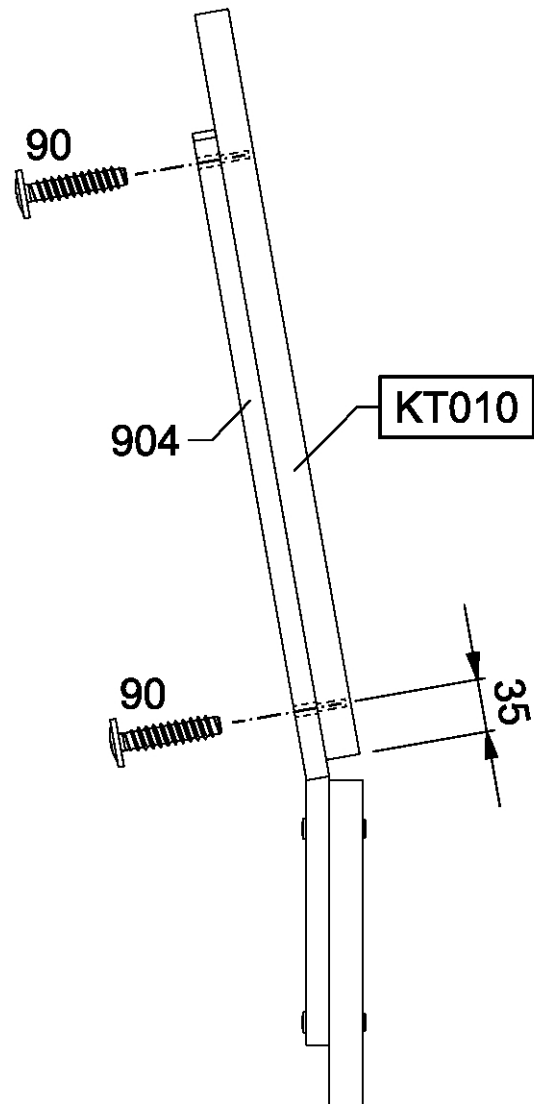
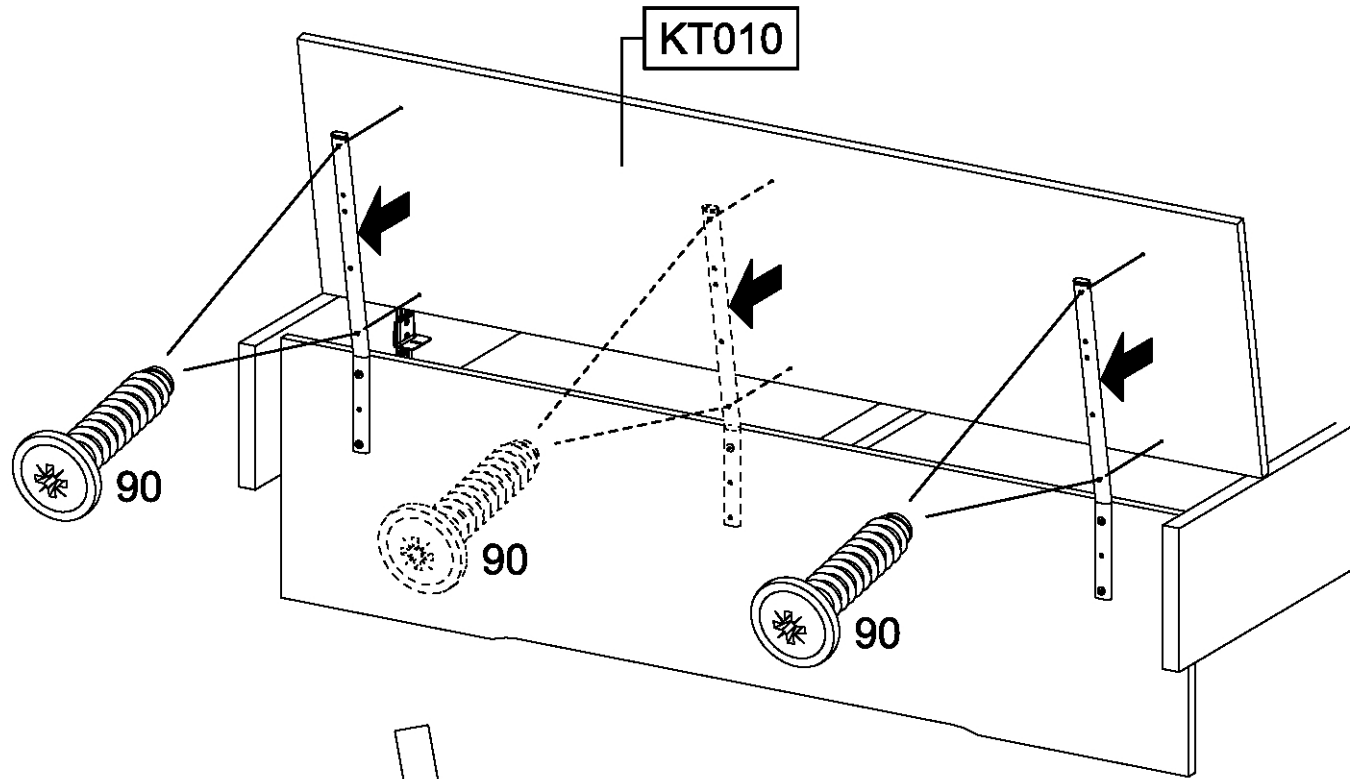
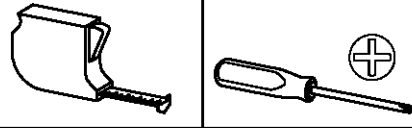
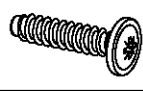


4

4-6x

90

6,3x27

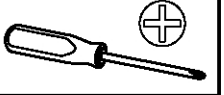


5

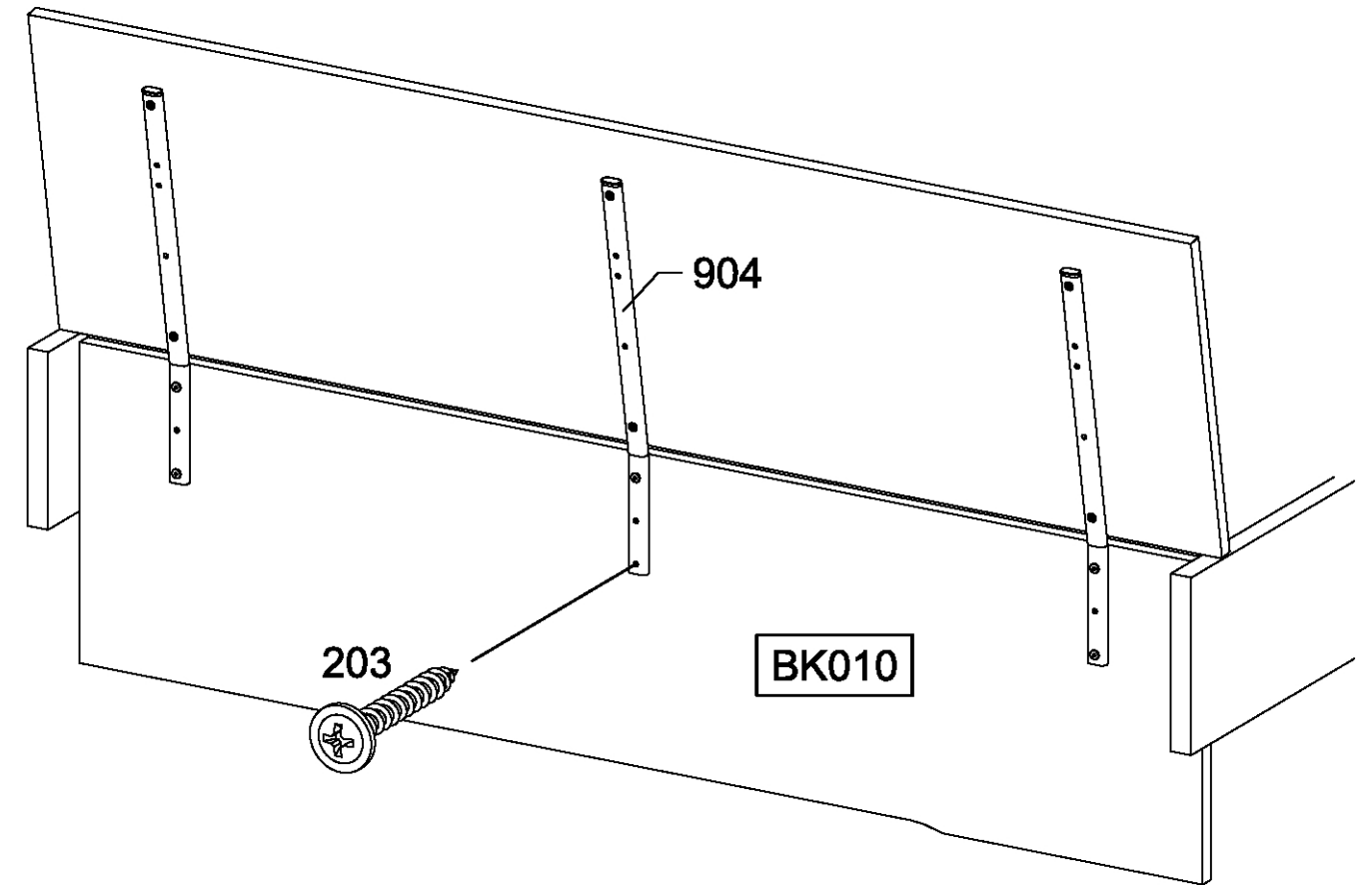
1x

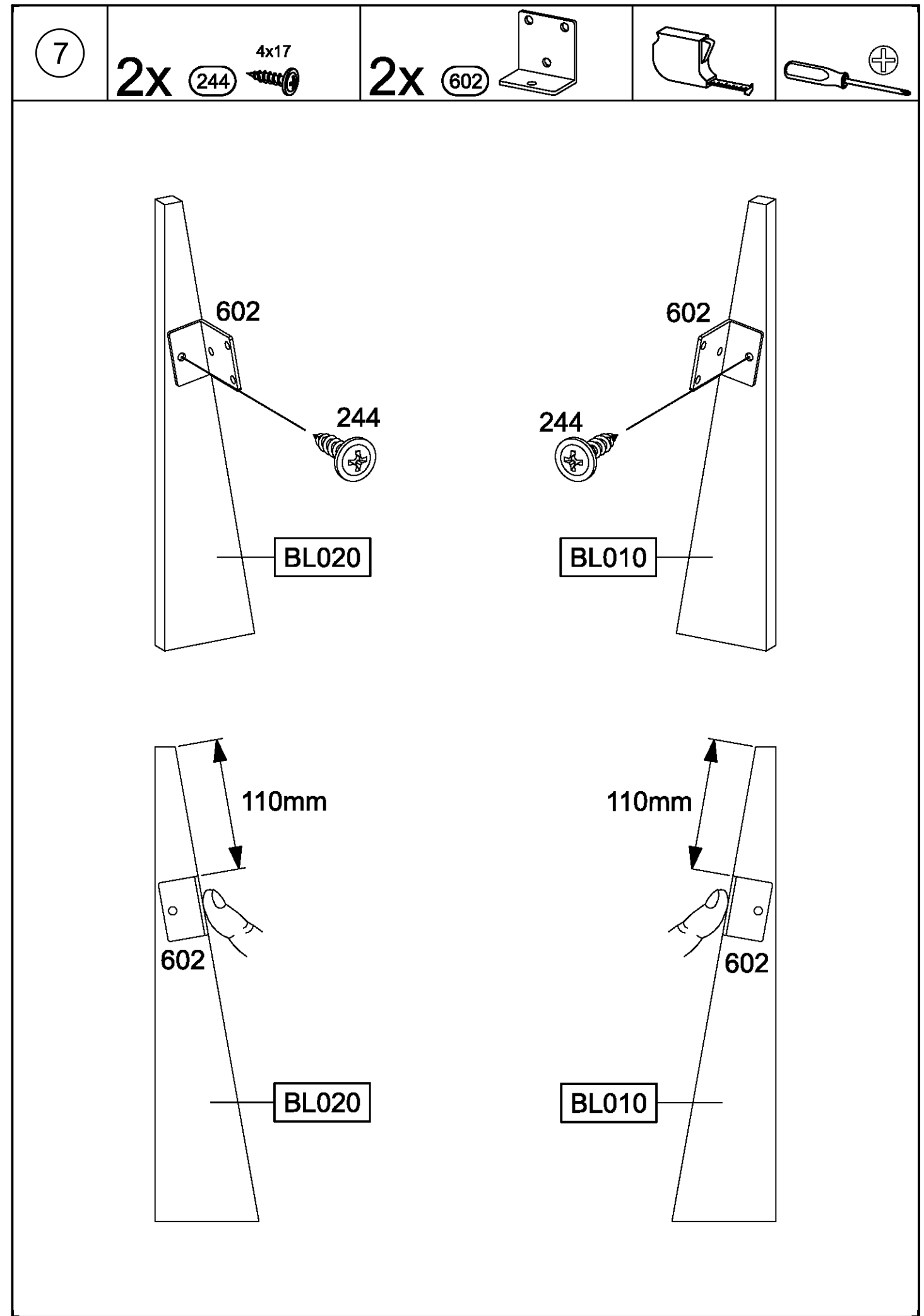
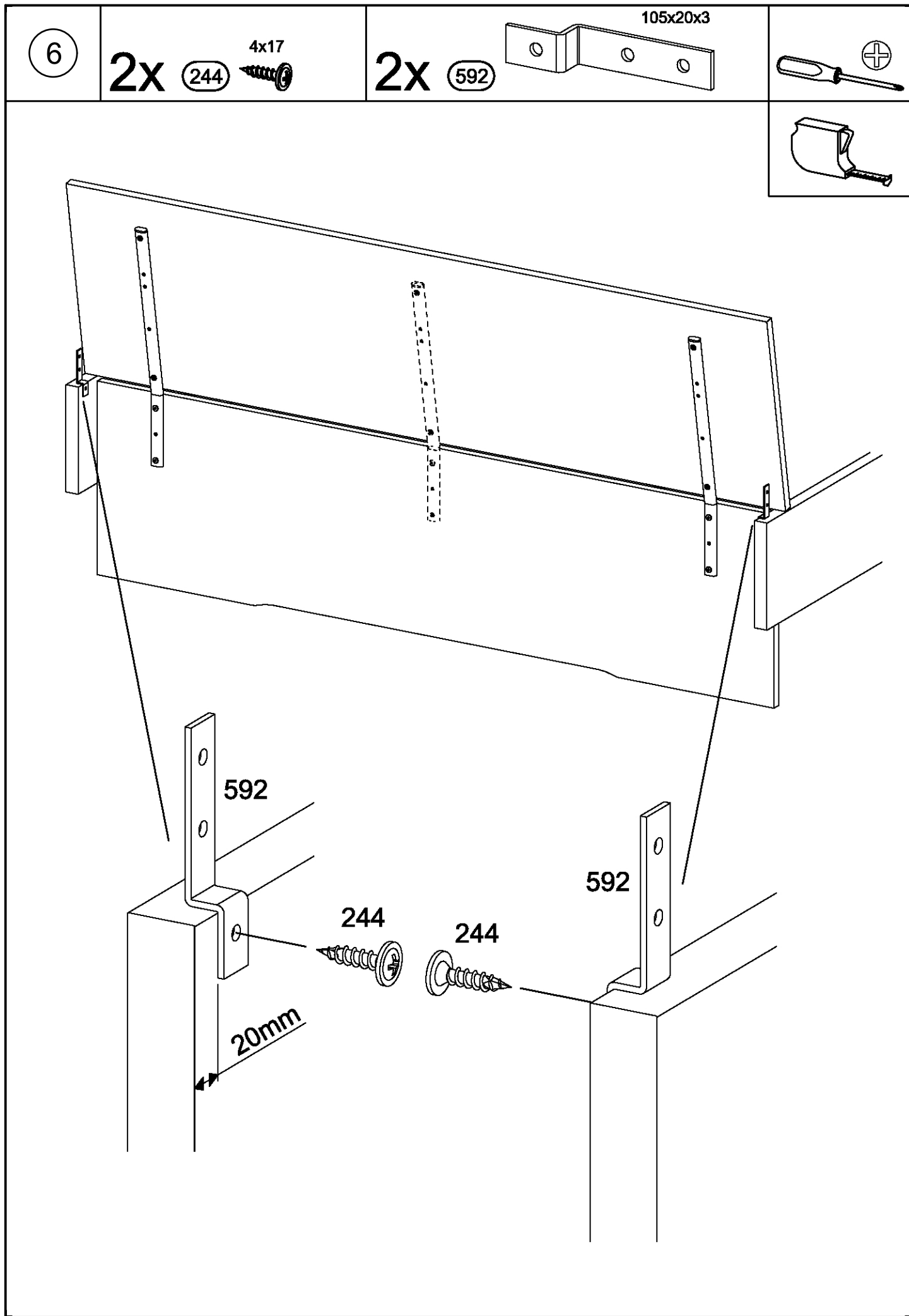
203

4x30



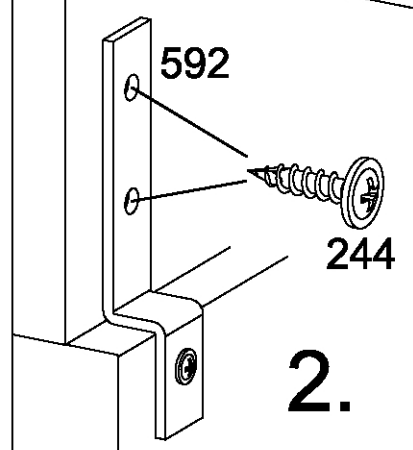
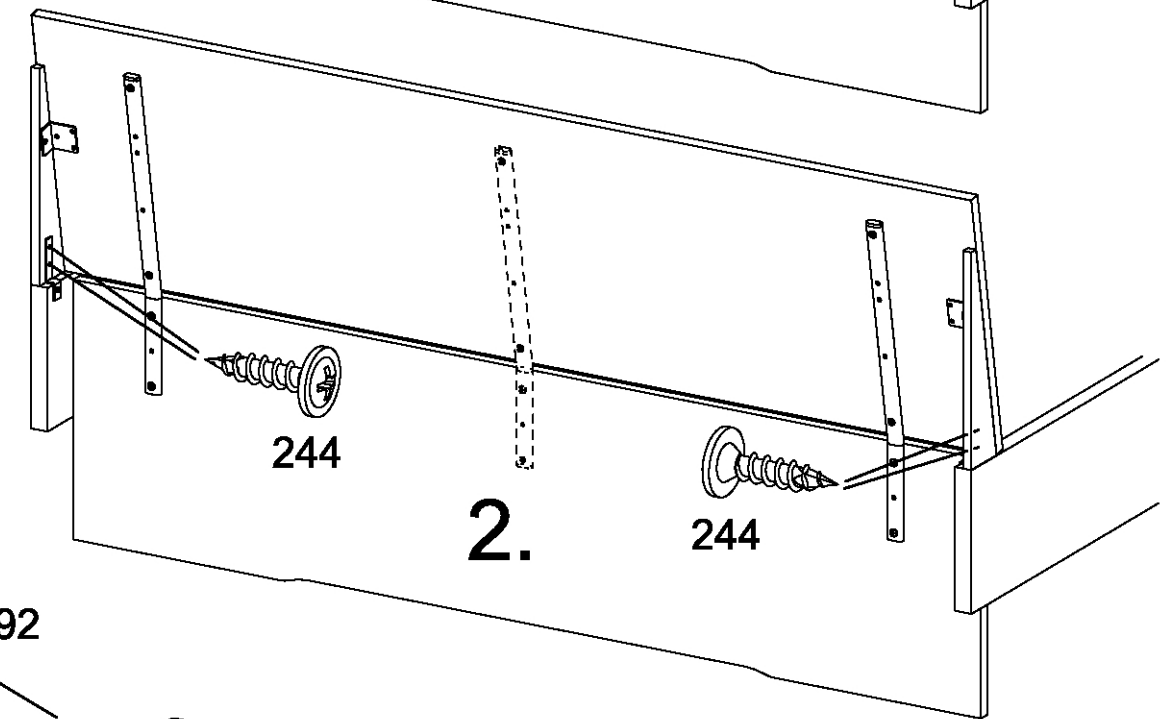
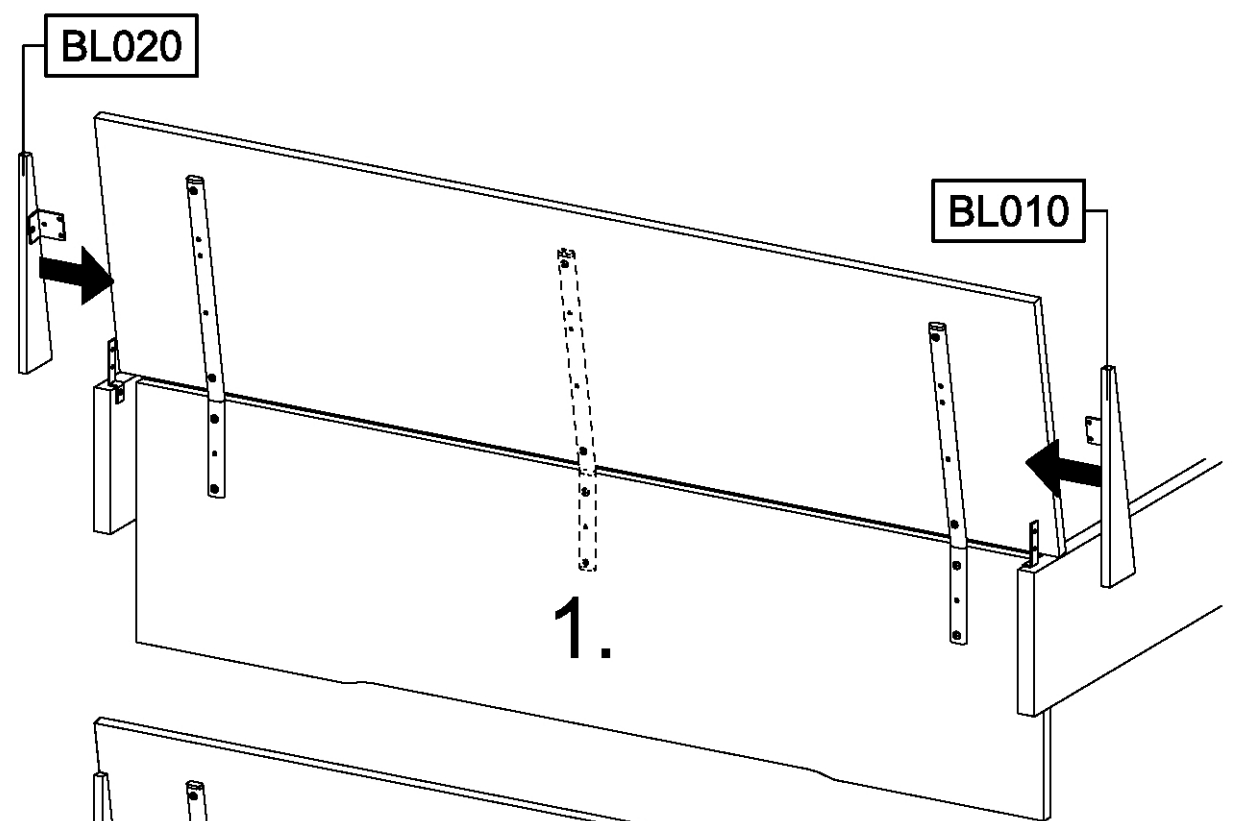
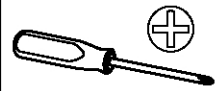
← ≥ 140cm →



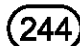


8

4x  4x17



9

6x  4x17

