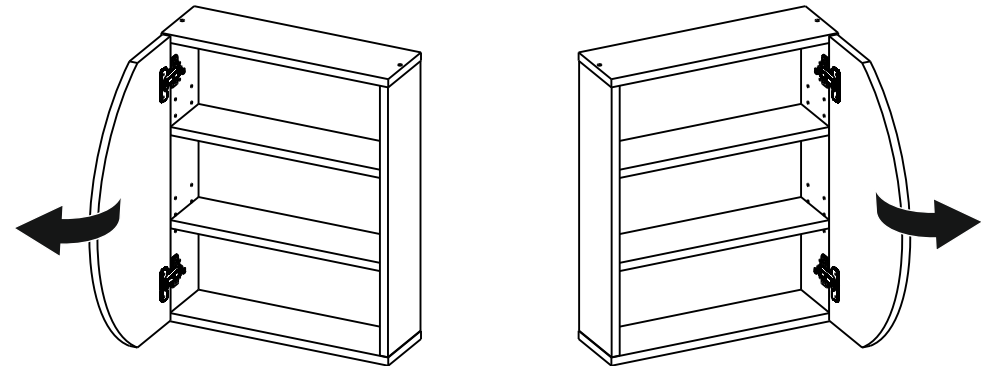
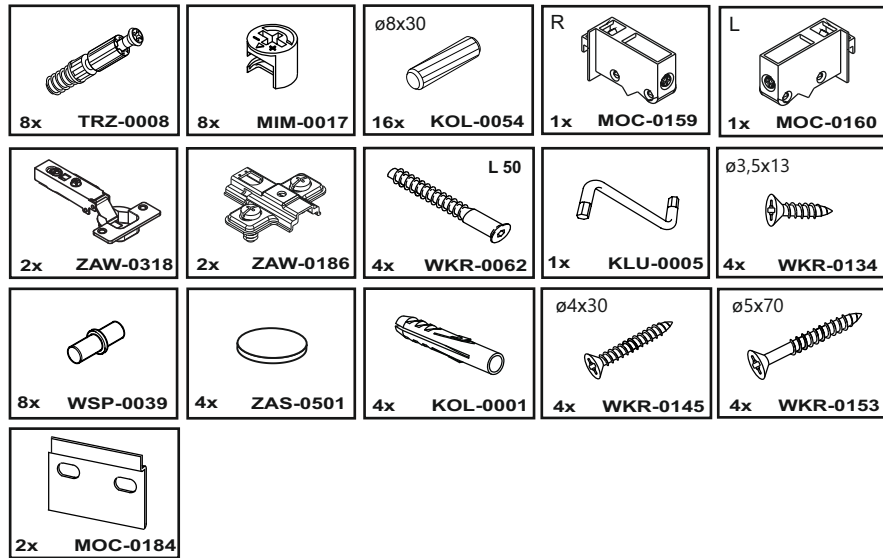
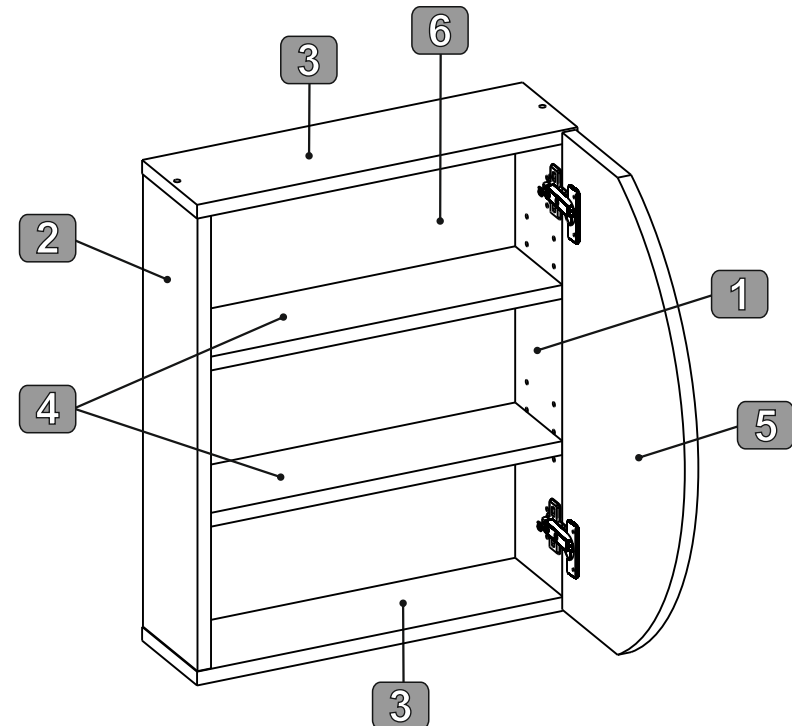


info@bega-consult.de

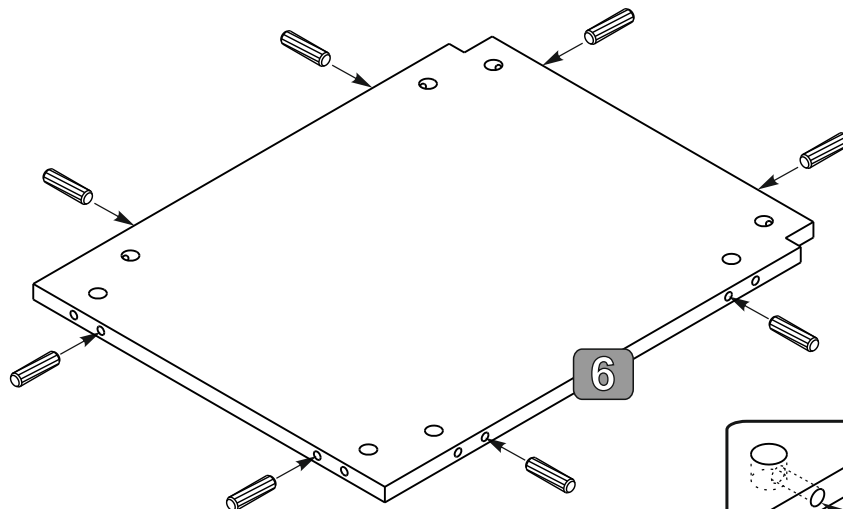
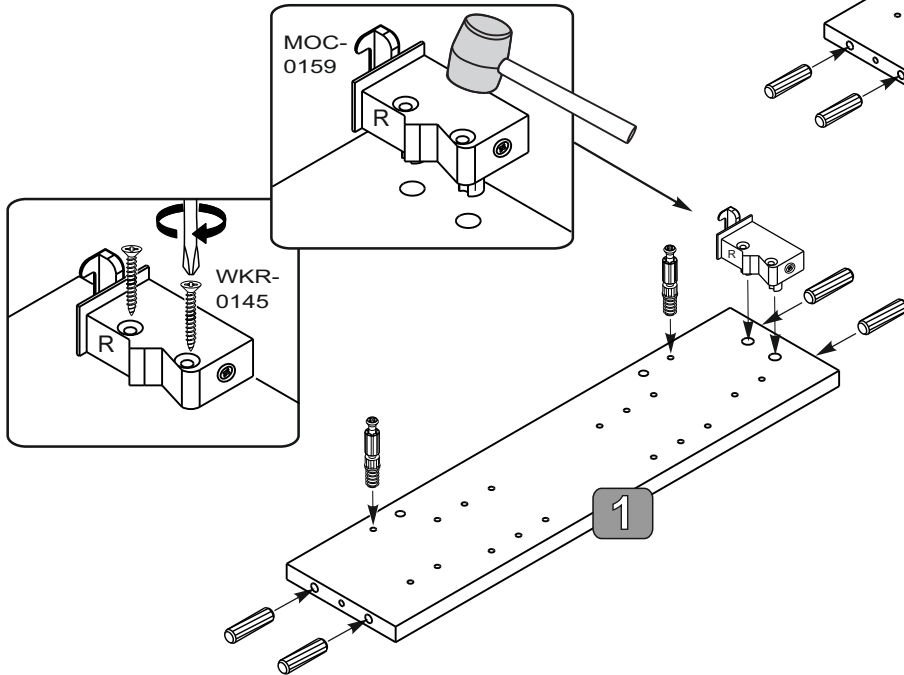
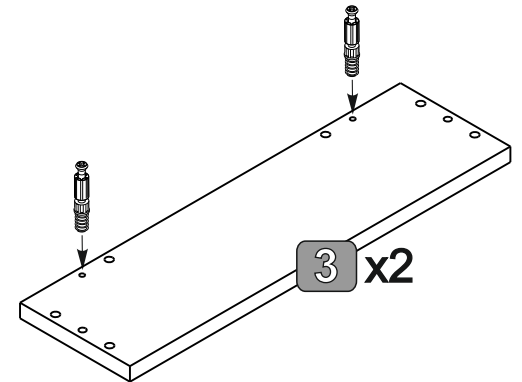
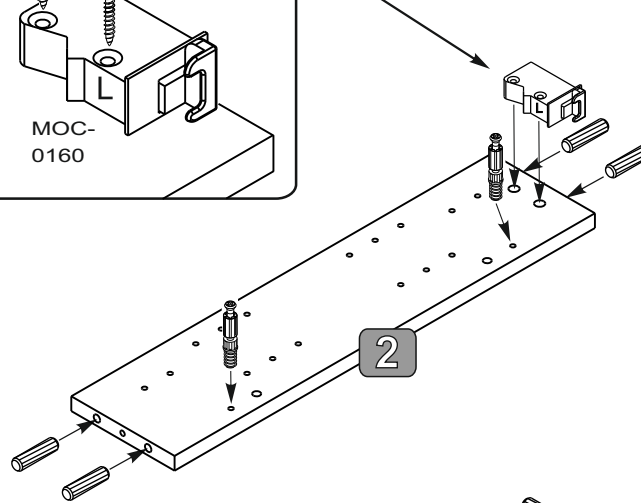
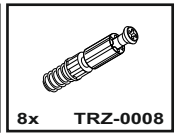
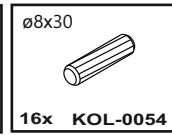
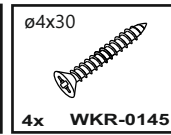
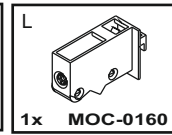
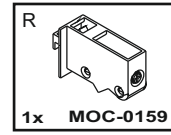
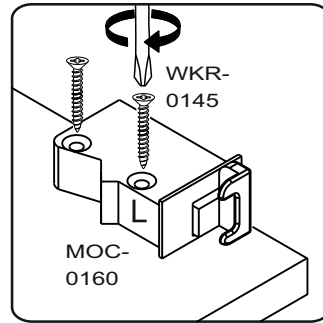
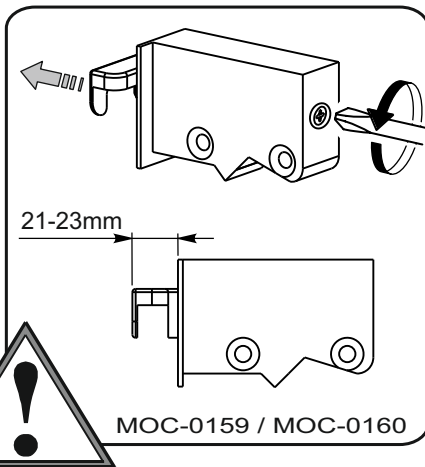




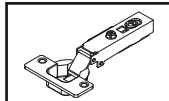
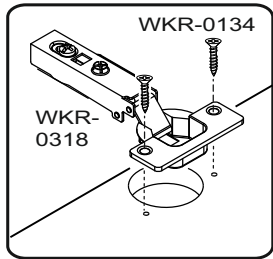
Nr	Ausmaß		St	Colli
1	525	129	16	1-1
2	525	129	16	1-1
3	450	130	16	1-1
4	416	104	16	1-1
5	553	290	19	1-1
6	525	416	16	1-1



1



2

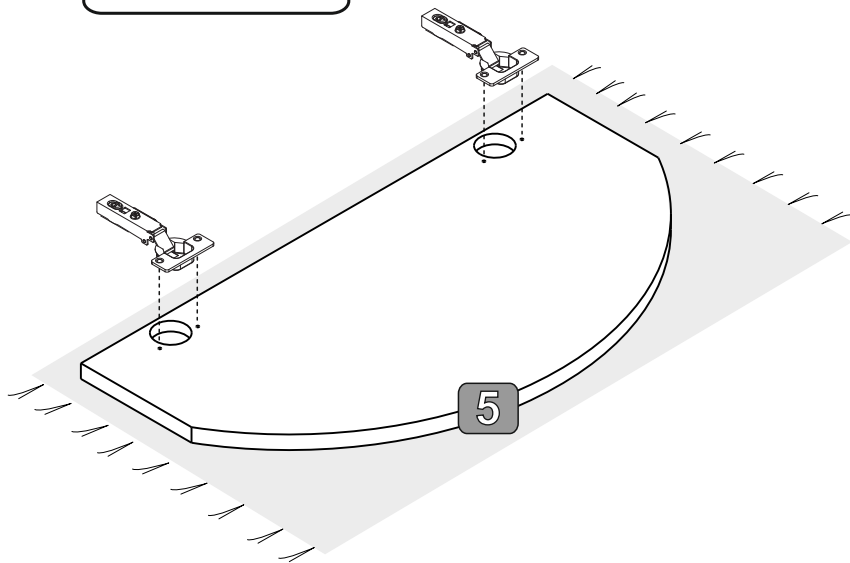


2x ZAW-0318

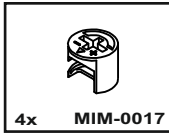
∅3,5x13



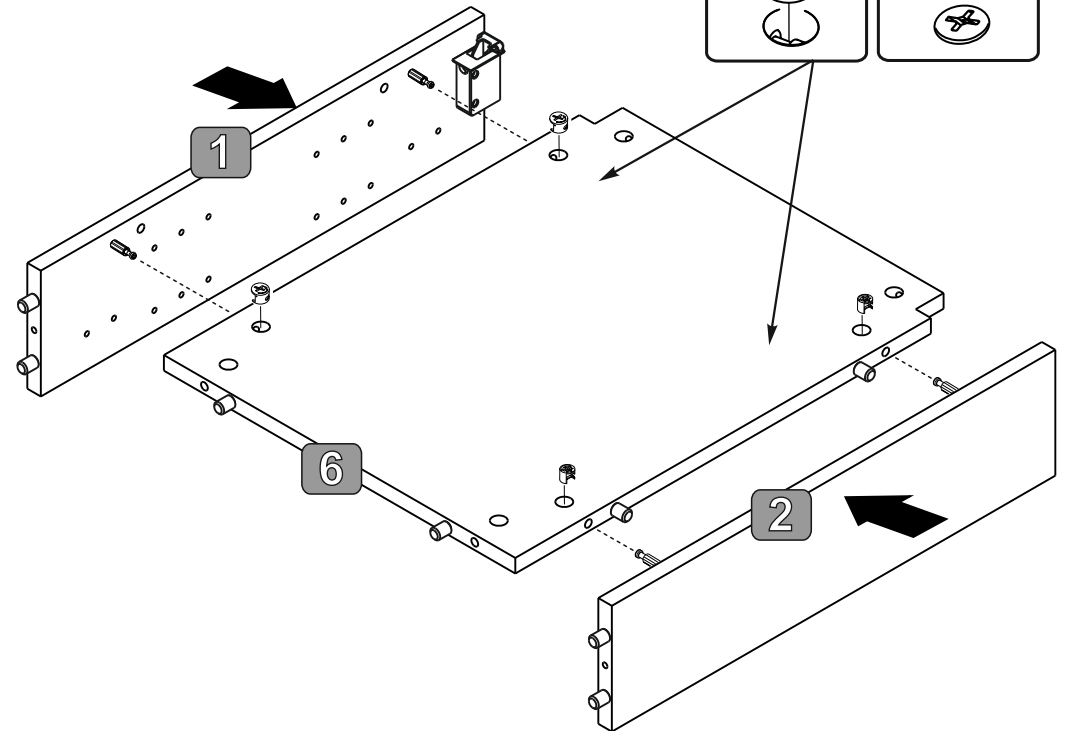
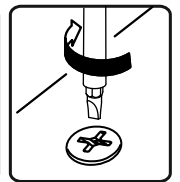
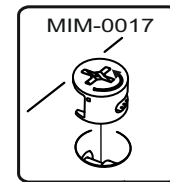
4x WKR-0134






3

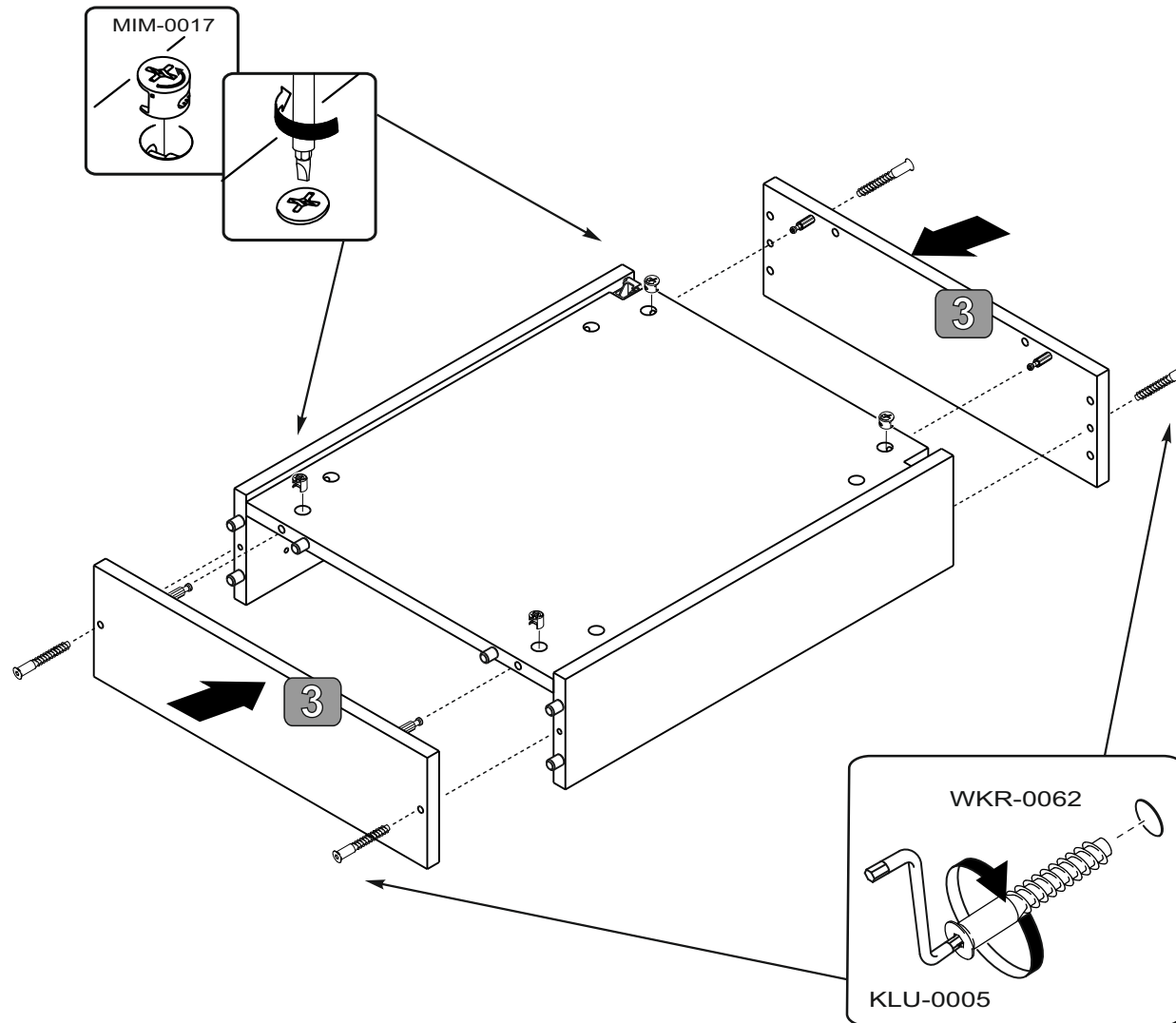


4x MIM-0017

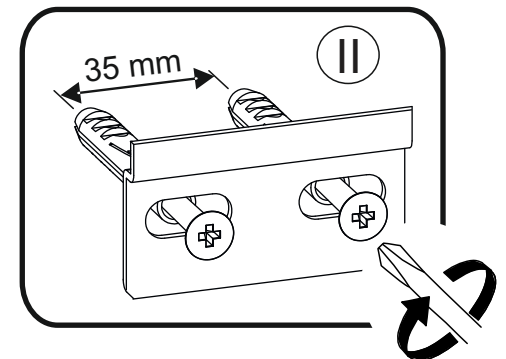
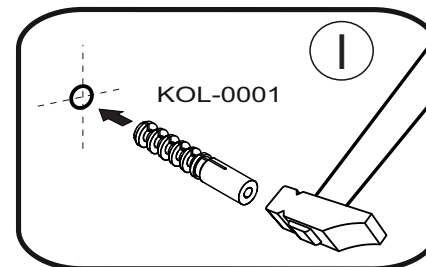
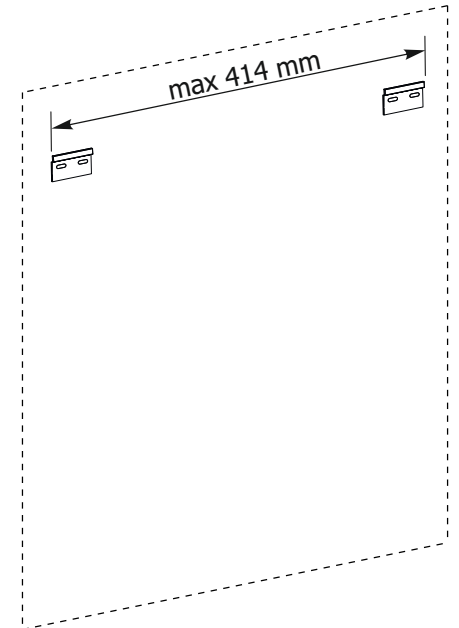
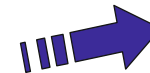
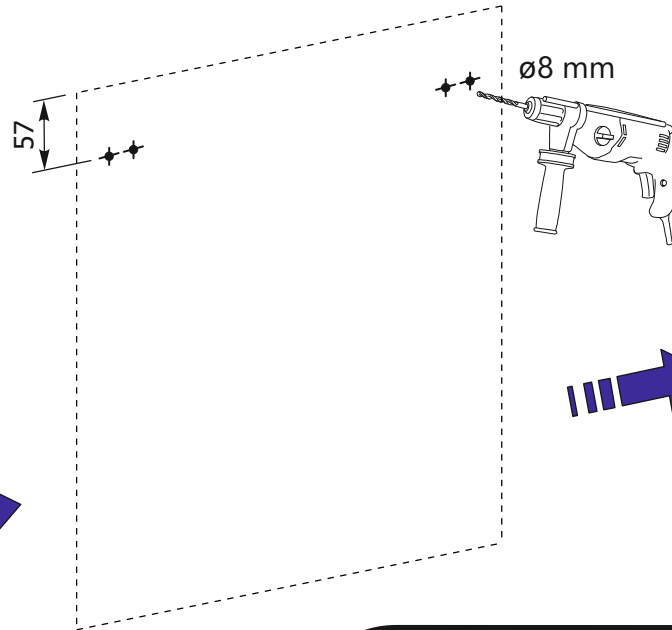
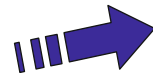
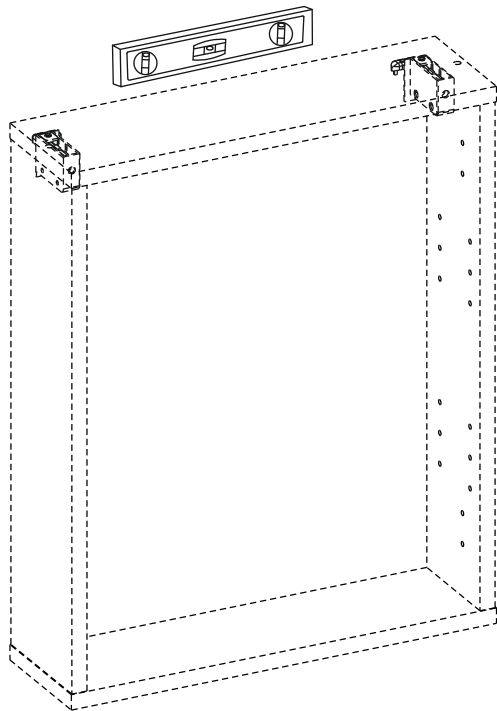
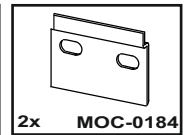
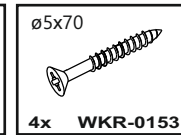
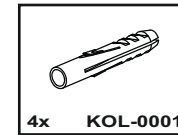
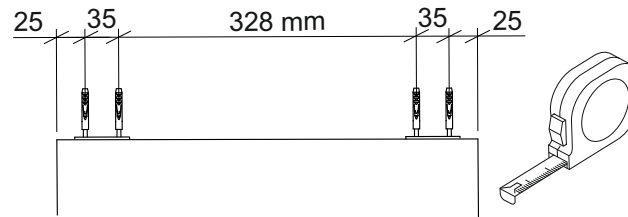
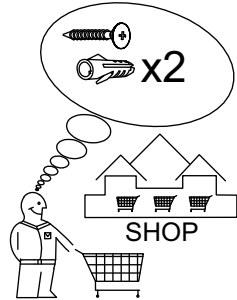
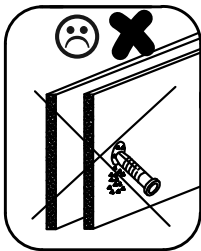


4

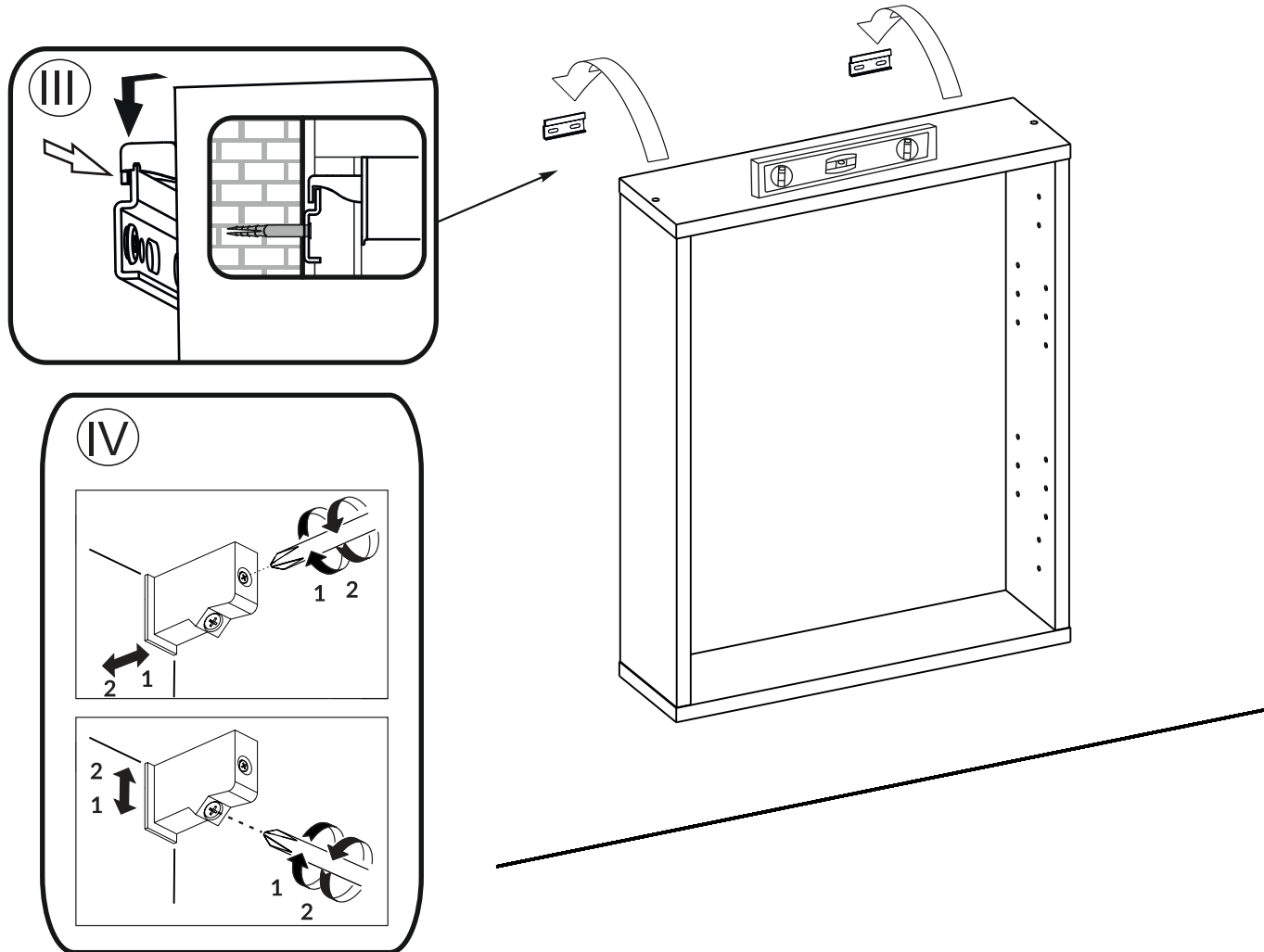
		
4x MIM-0017	4x WKR-0062 L 50	1x KLU-0005



5

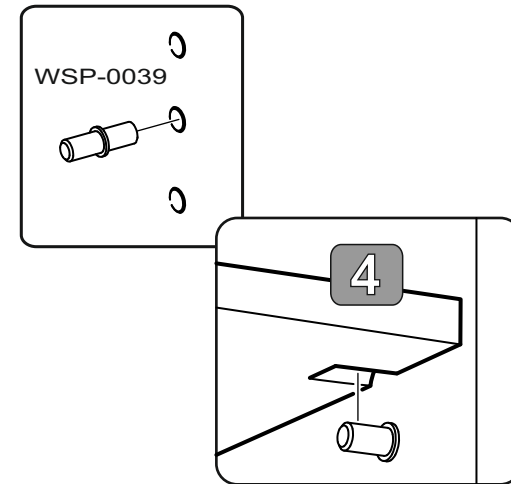
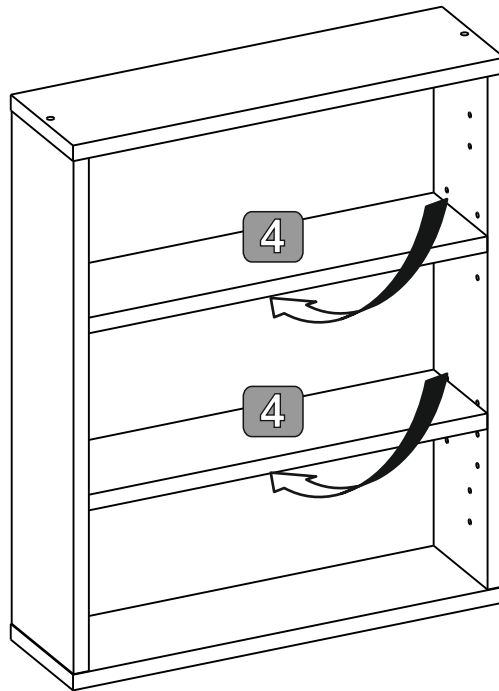
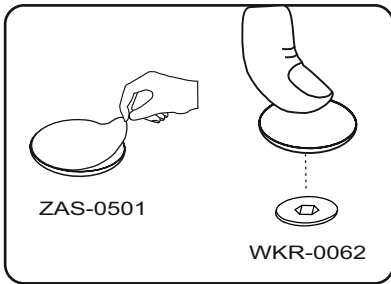


6

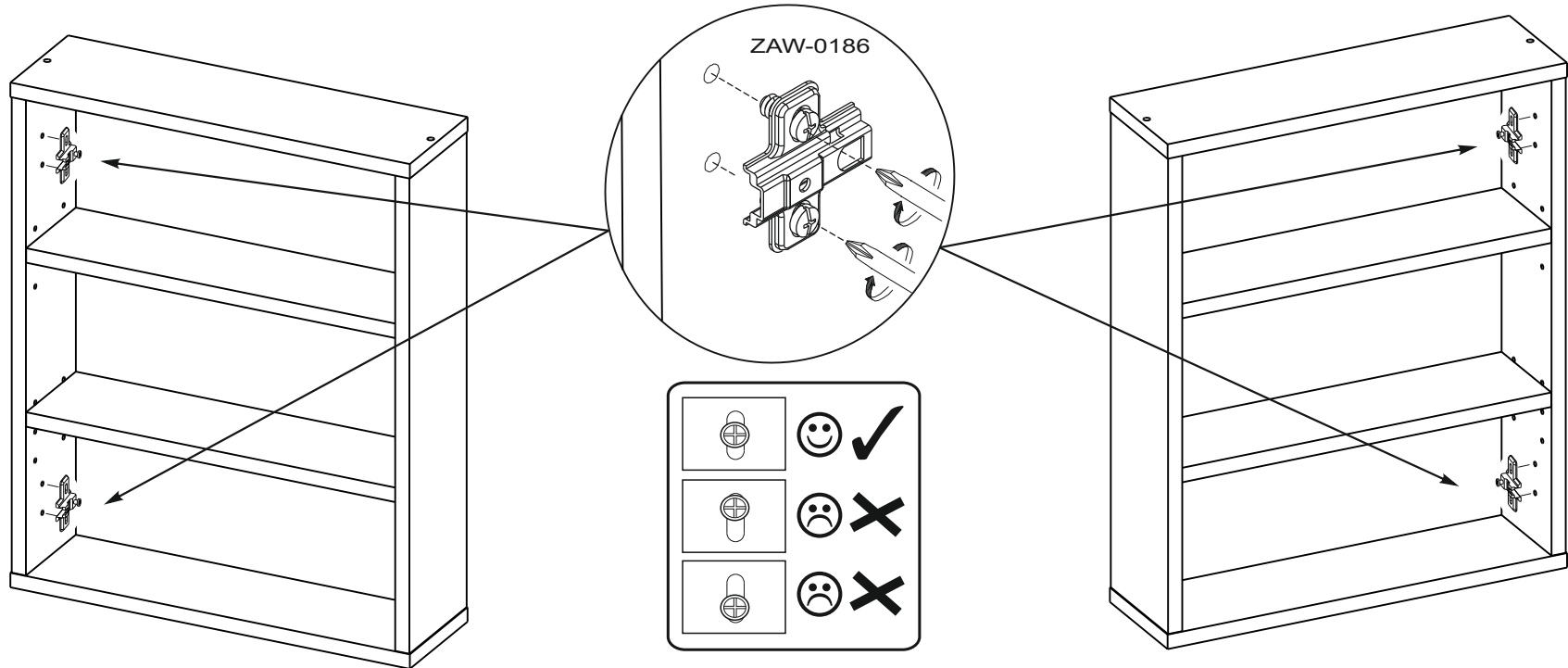
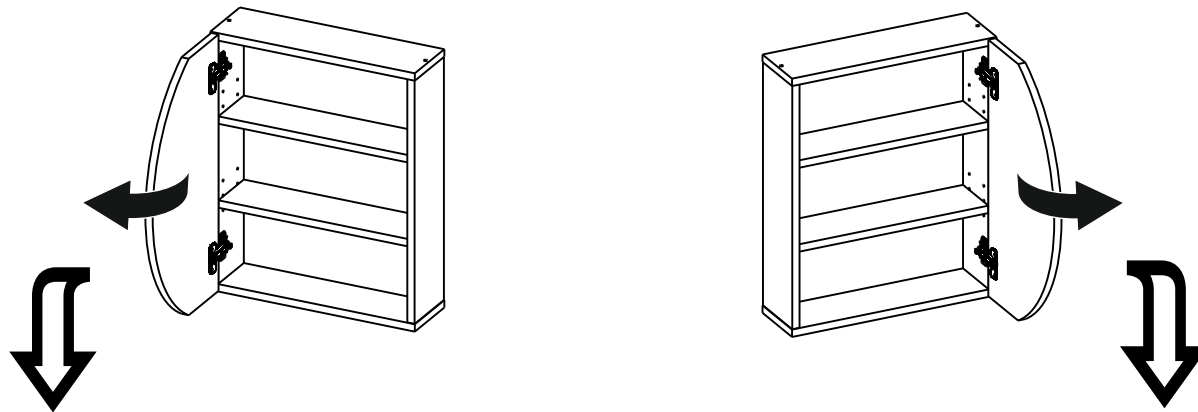
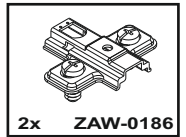


7

	
4x ZAS-0501	8x WSP-0039



8



9

