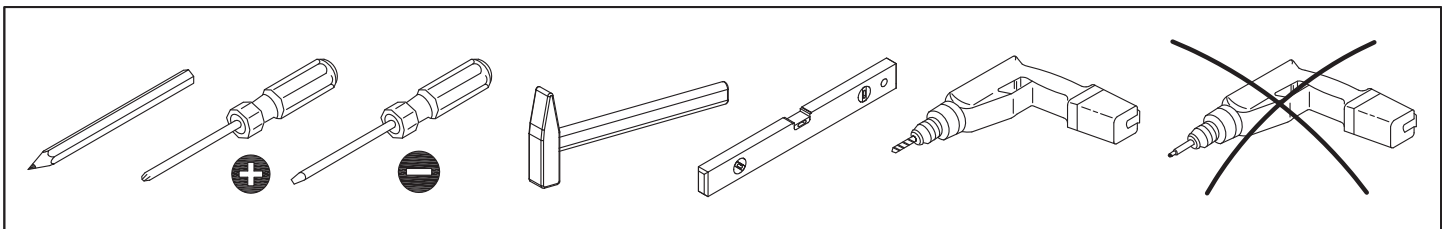
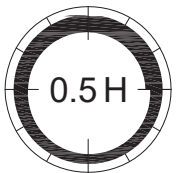
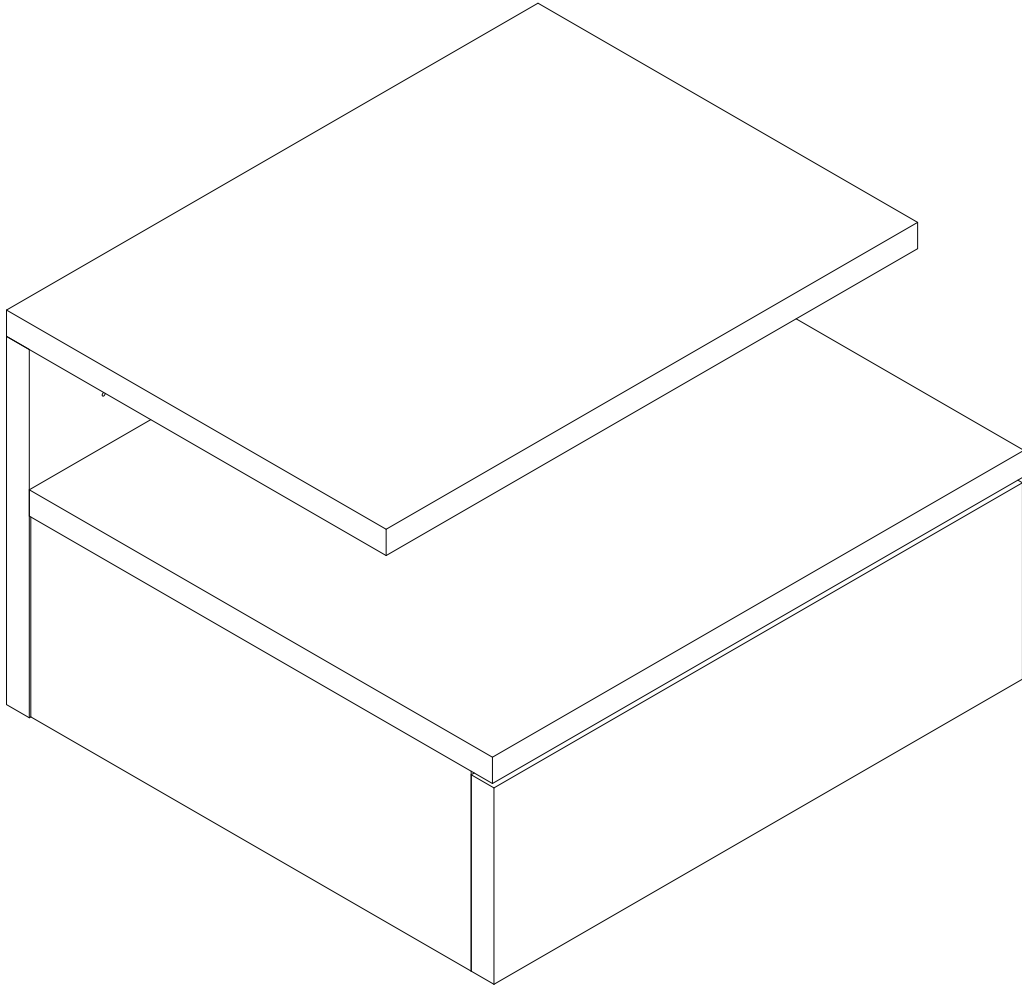
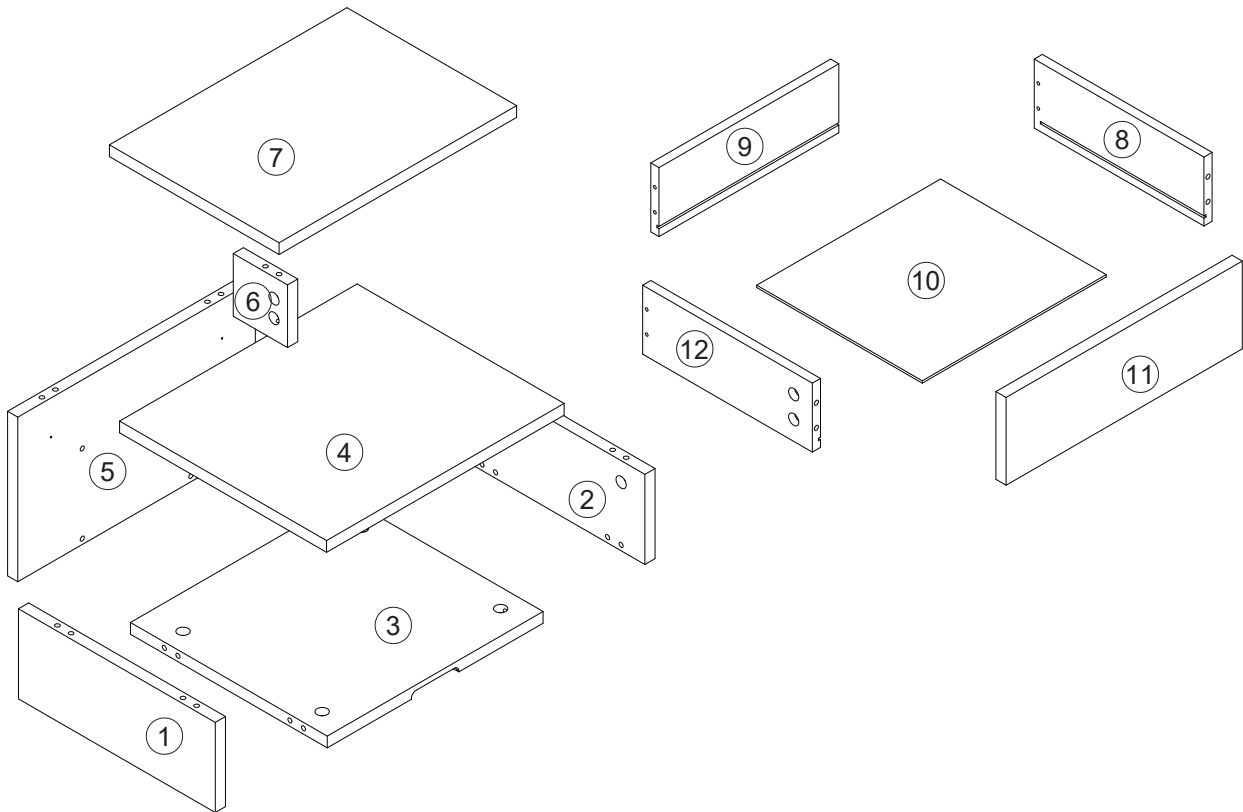


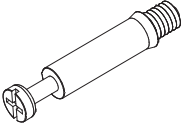
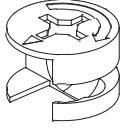
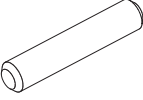
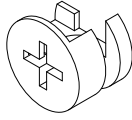
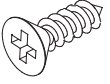
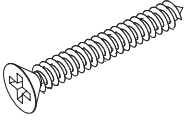
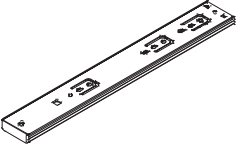

ASHLAN



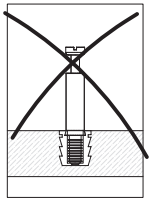
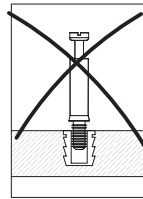
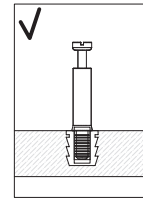
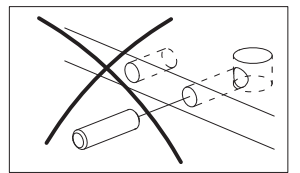
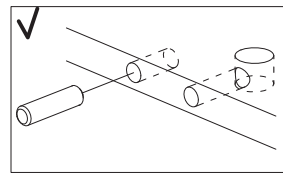
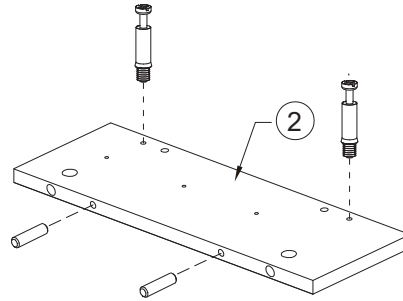
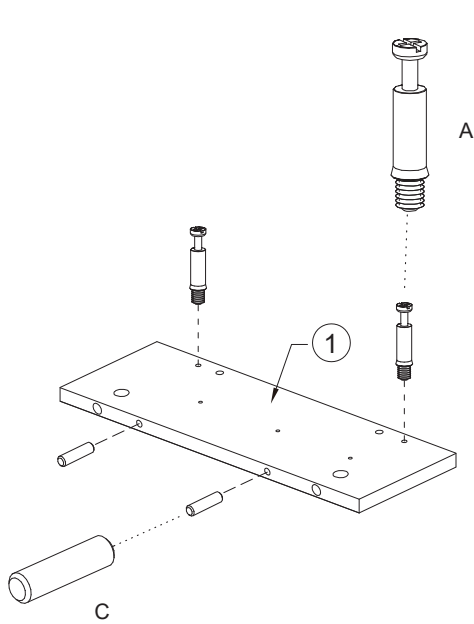
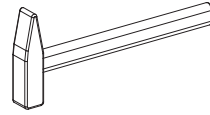
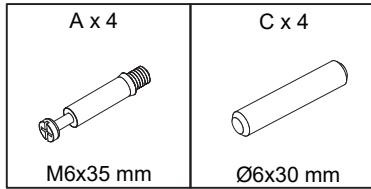
			✓
①	1	289x115x15	
②	1	289x115x15	
③	1	318x289x15	
④	1	350x305x15	
⑤	1	350x210x15	
⑥	1	80x80x15	

			✓
⑦	1	350x250x15	
⑧	1	250x88x12	
⑨	1	267x88x12	
⑩	1	278x250x3	
⑪	1	348x113x15	
⑫	1	250x88x12	

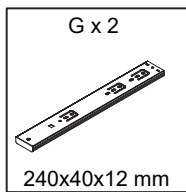


<p>A X 16</p>  <p>M6x35 mm</p>	<p>B X 12</p>  <p>Ø15x12 mm</p>	<p>C X 16</p>  <p>Ø6x30 mm</p>	<p>D X 4</p>  <p>Ø15x9.5 mm</p>	<p>E X 12</p>  <p>Ø3,5x12 mm</p>
<p>F X 8</p>  <p>Ø4x30 mm</p>	<p>G X 2</p>  <p>240x40x12 mm</p>	<p>H X 8</p>  <p>Ø20 mm</p>		

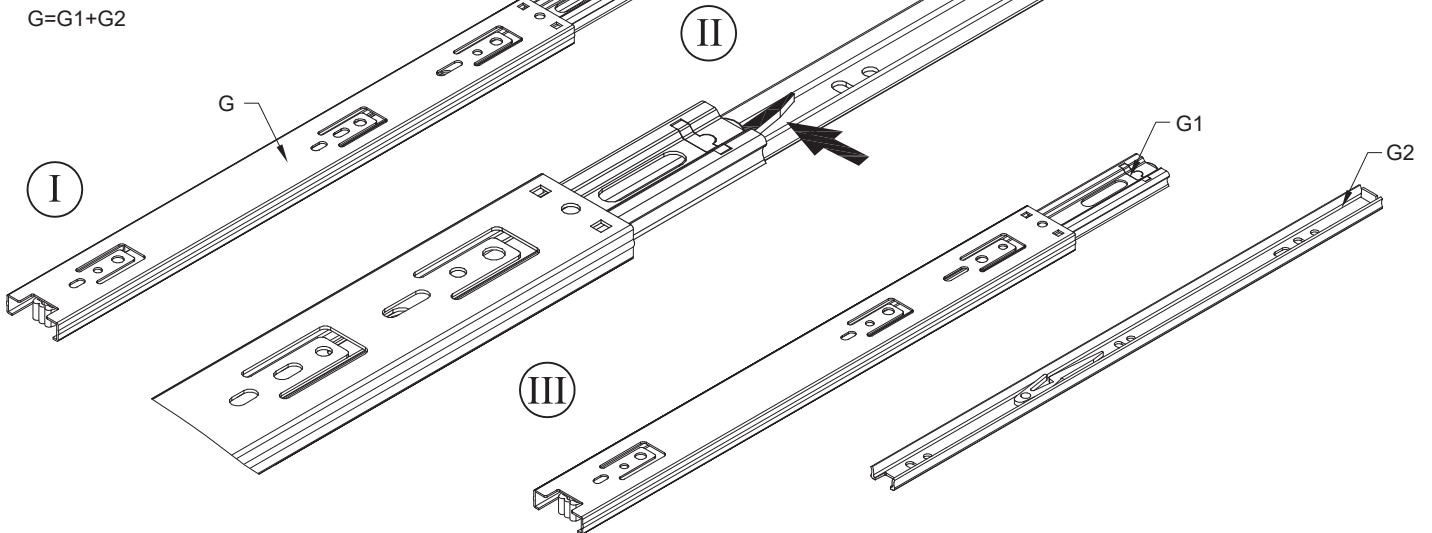
1



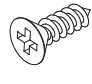
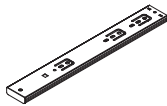
2

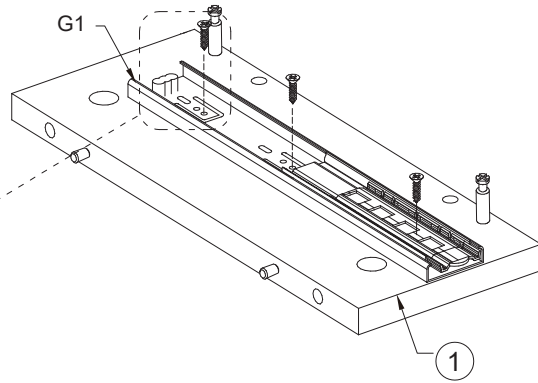
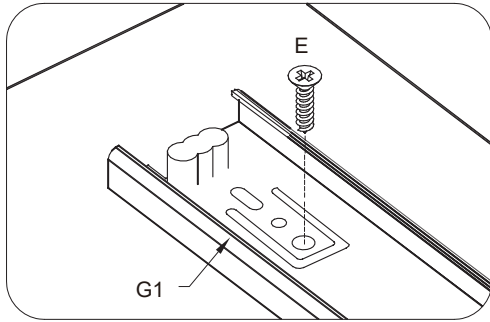
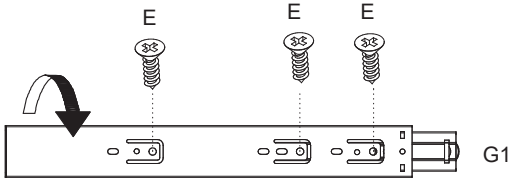
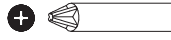


$G = G1 + G2$


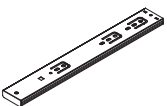


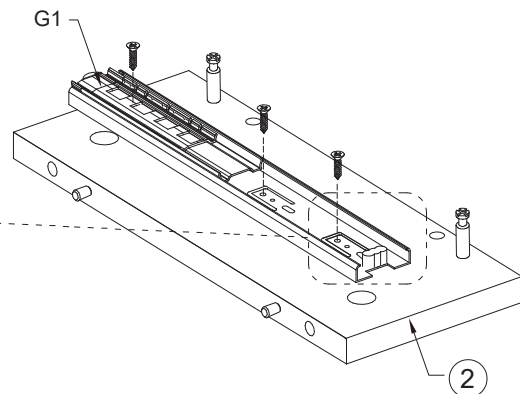
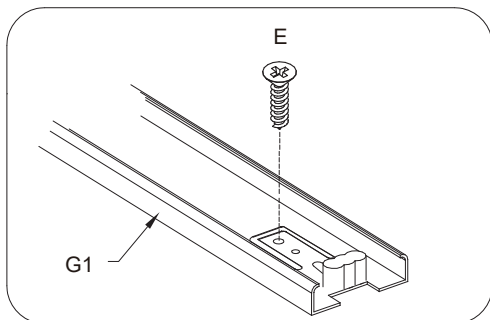
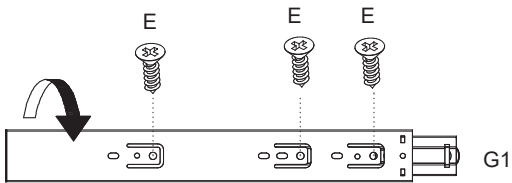
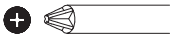
3

E x 3  Ø3,5x12 mm	G1 x 1  240x40x12 mm
--	---

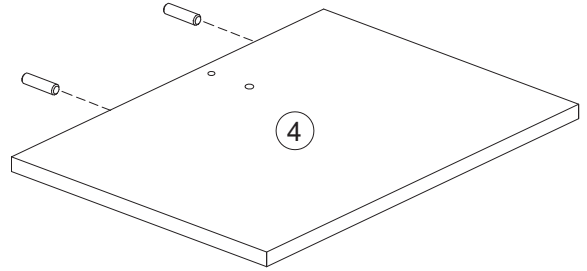
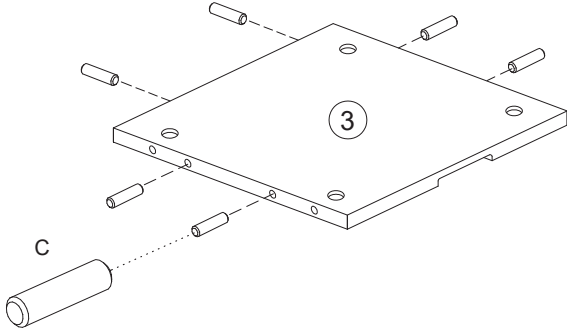
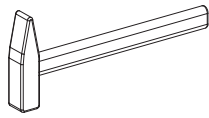
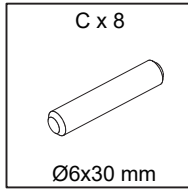


4

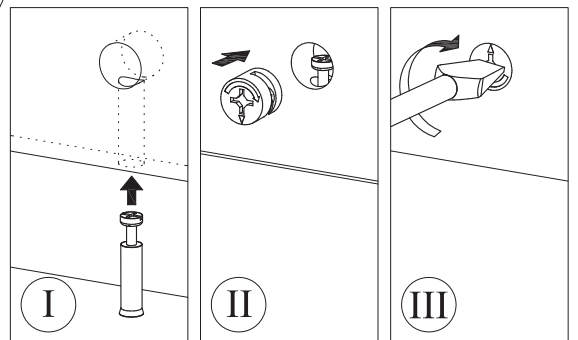
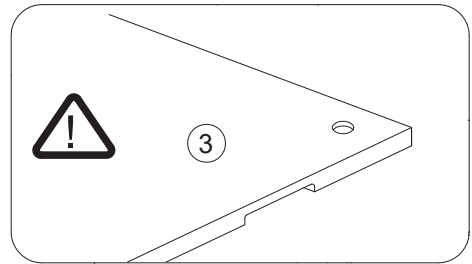
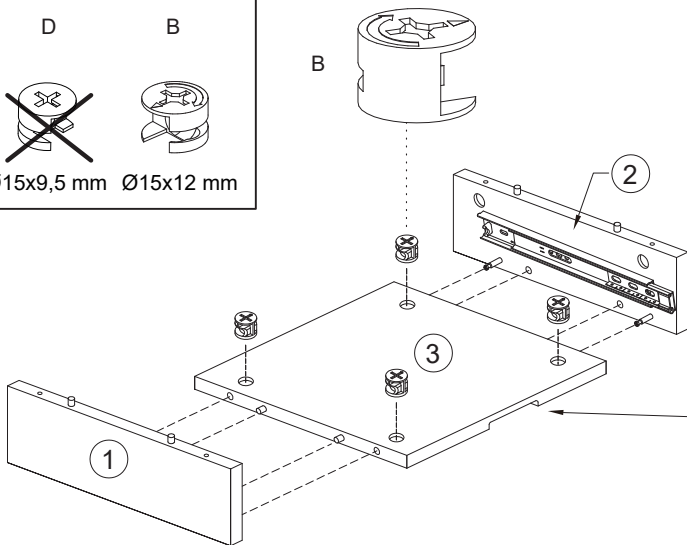
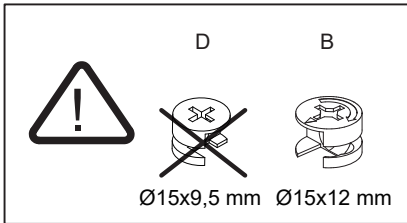
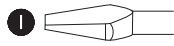
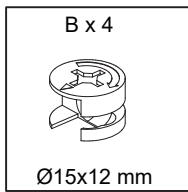
E x 3  Ø3,5x12 mm	G1 x 1  240x40x12 mm
--	---



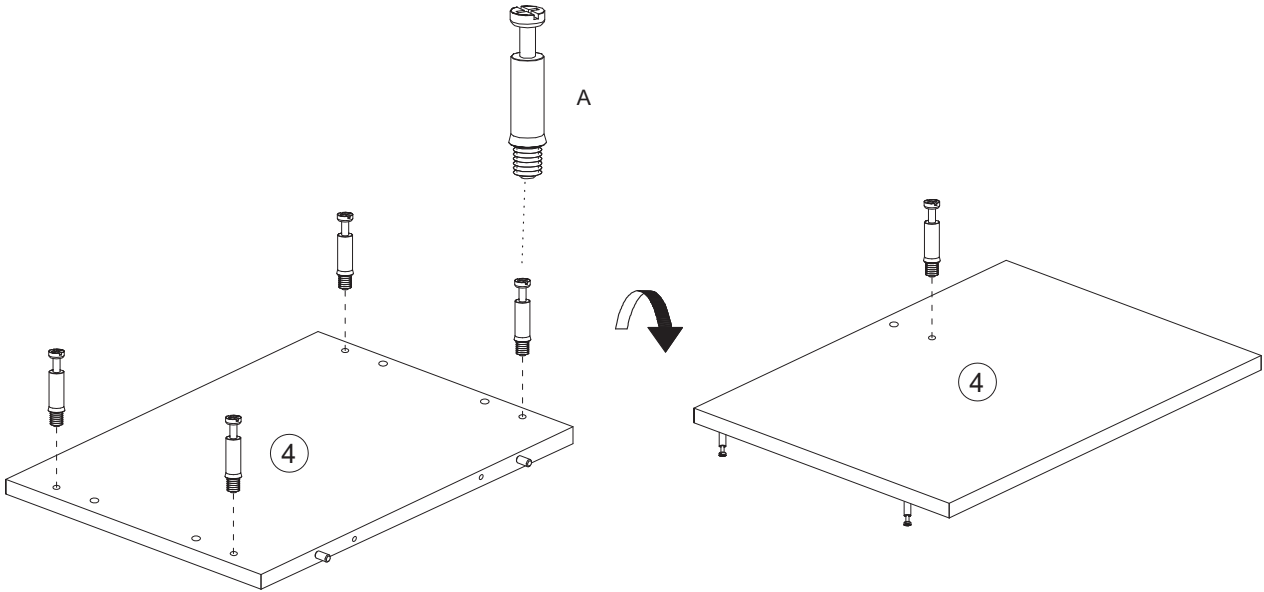
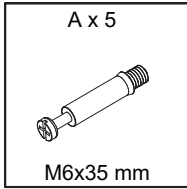
5



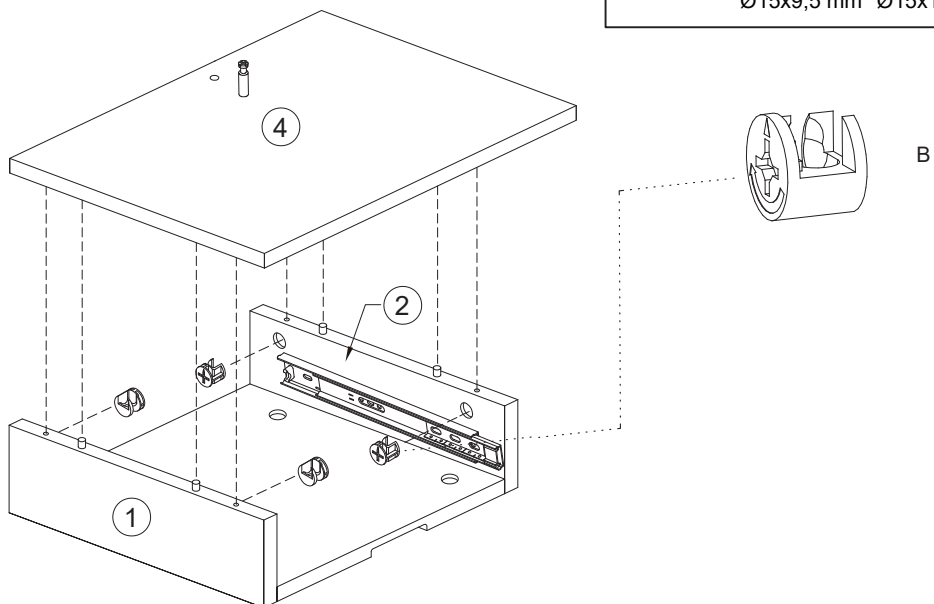
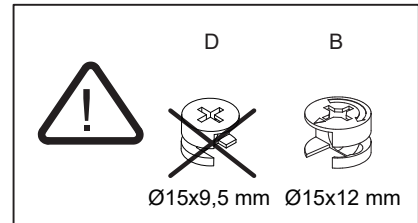
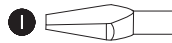
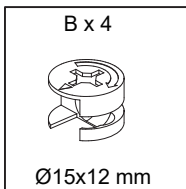
6



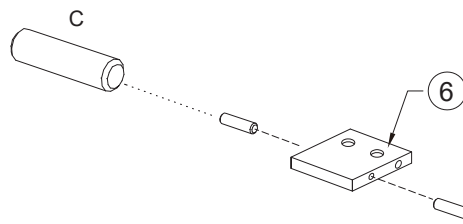
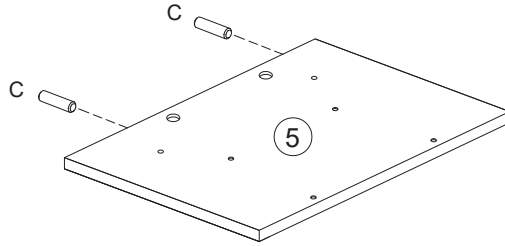
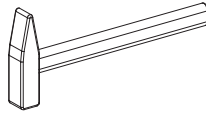
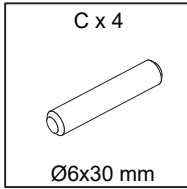
7



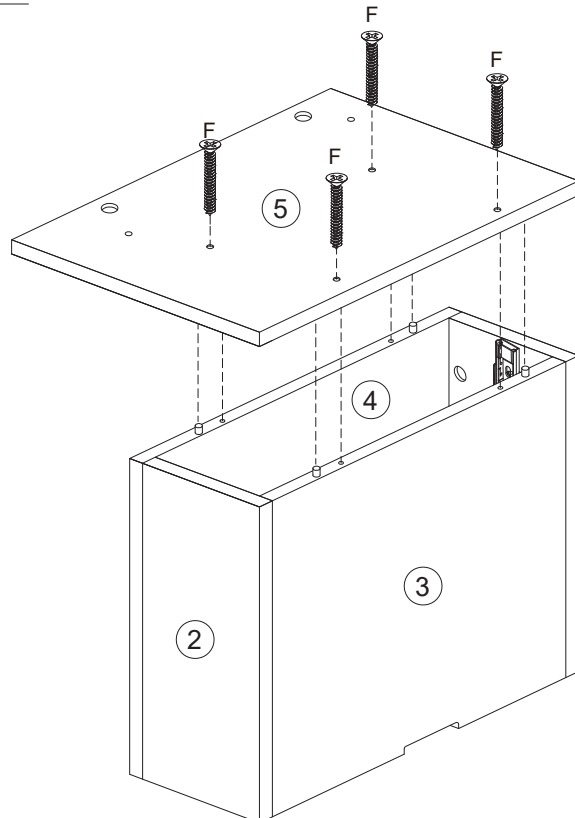
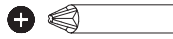
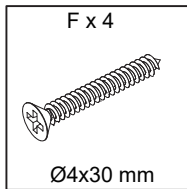
8



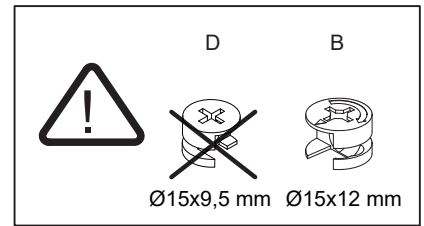
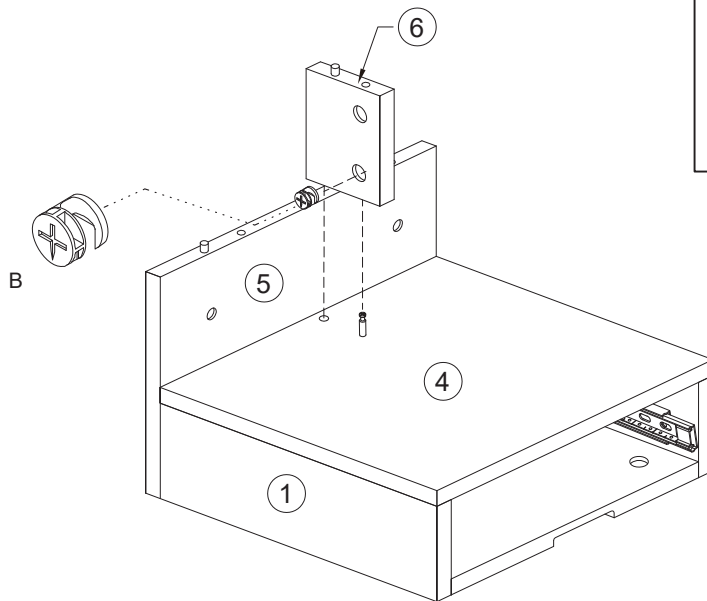
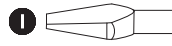
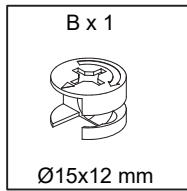
9



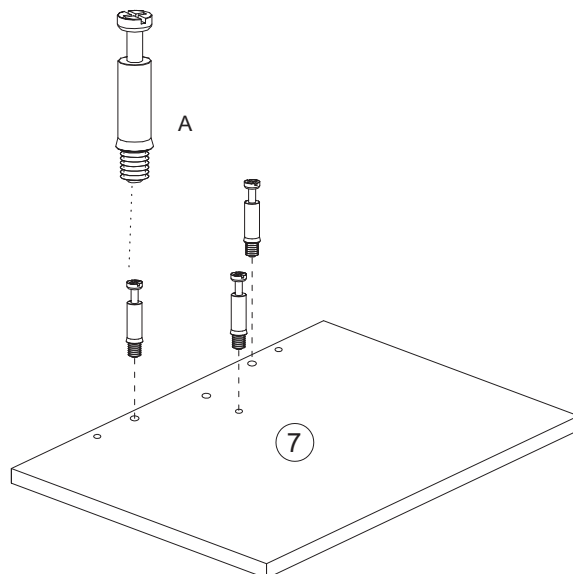
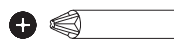
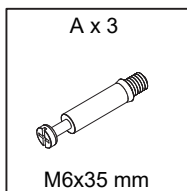
10



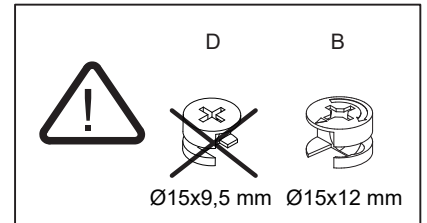
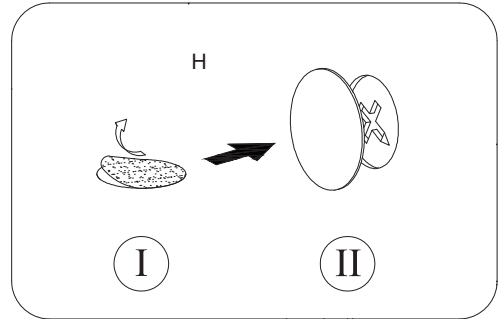
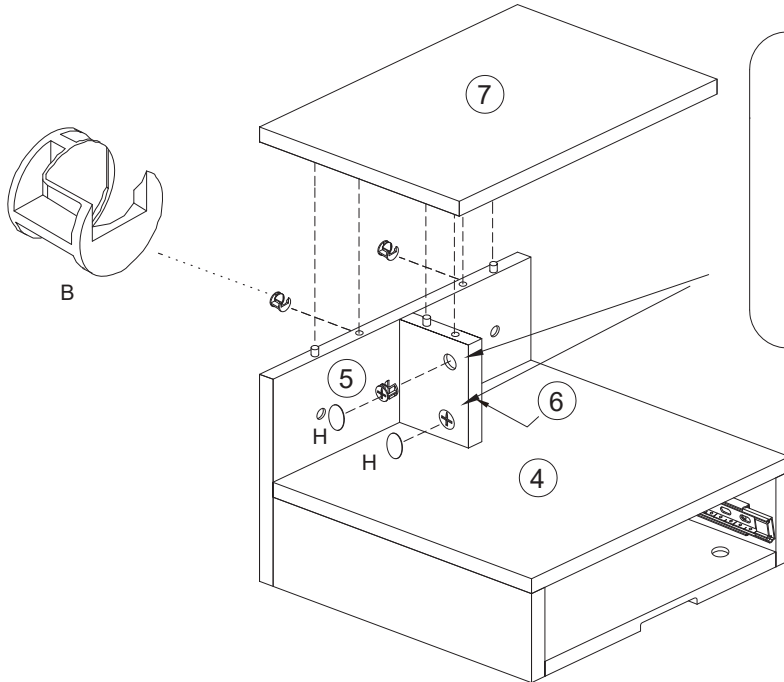
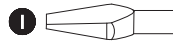
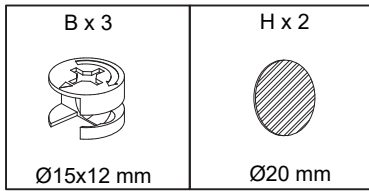
11



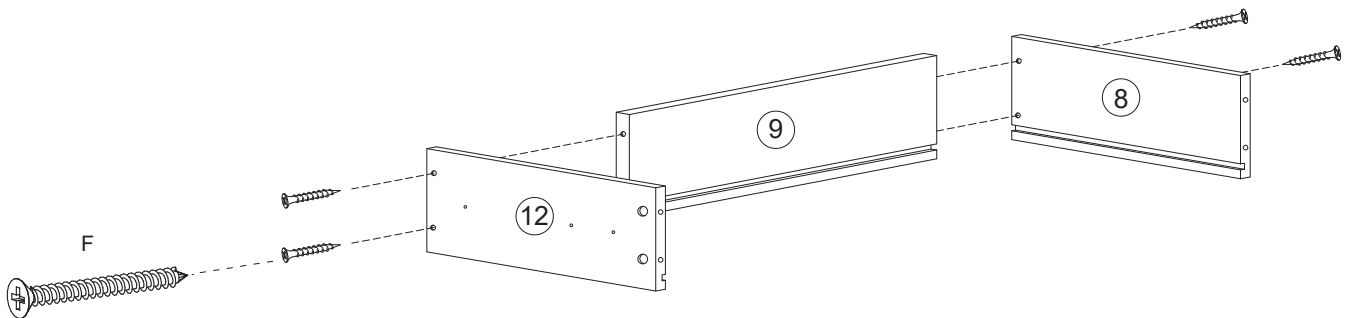
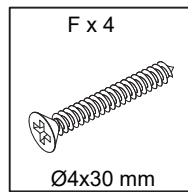
12



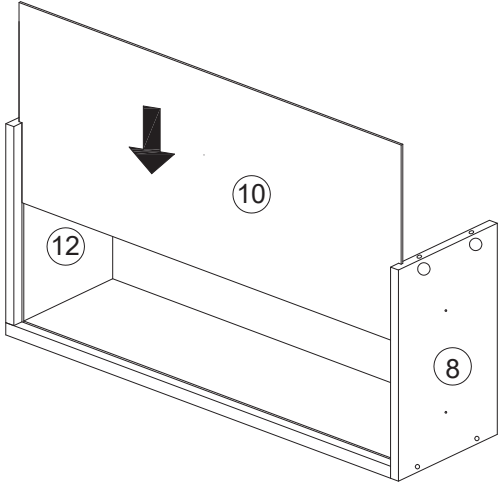
13



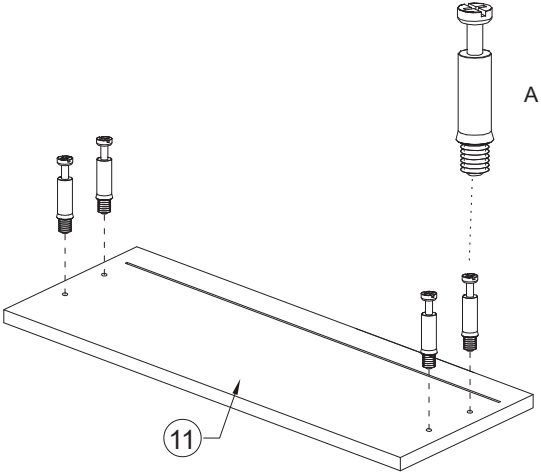
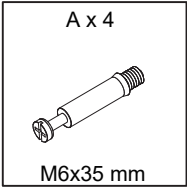
14



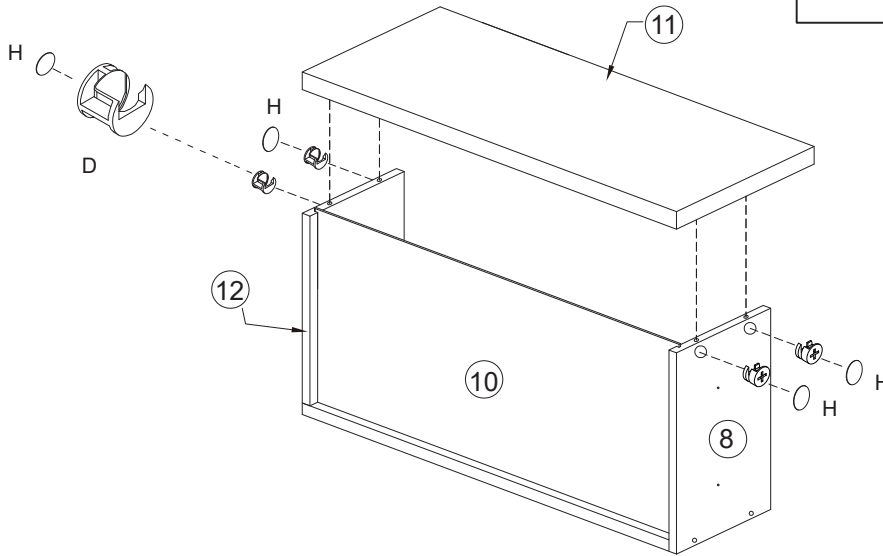
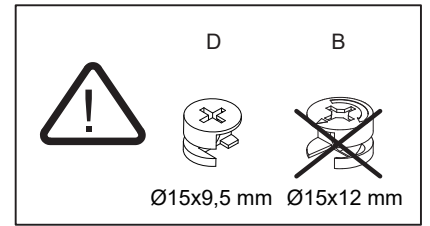
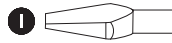
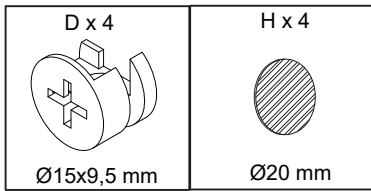
15



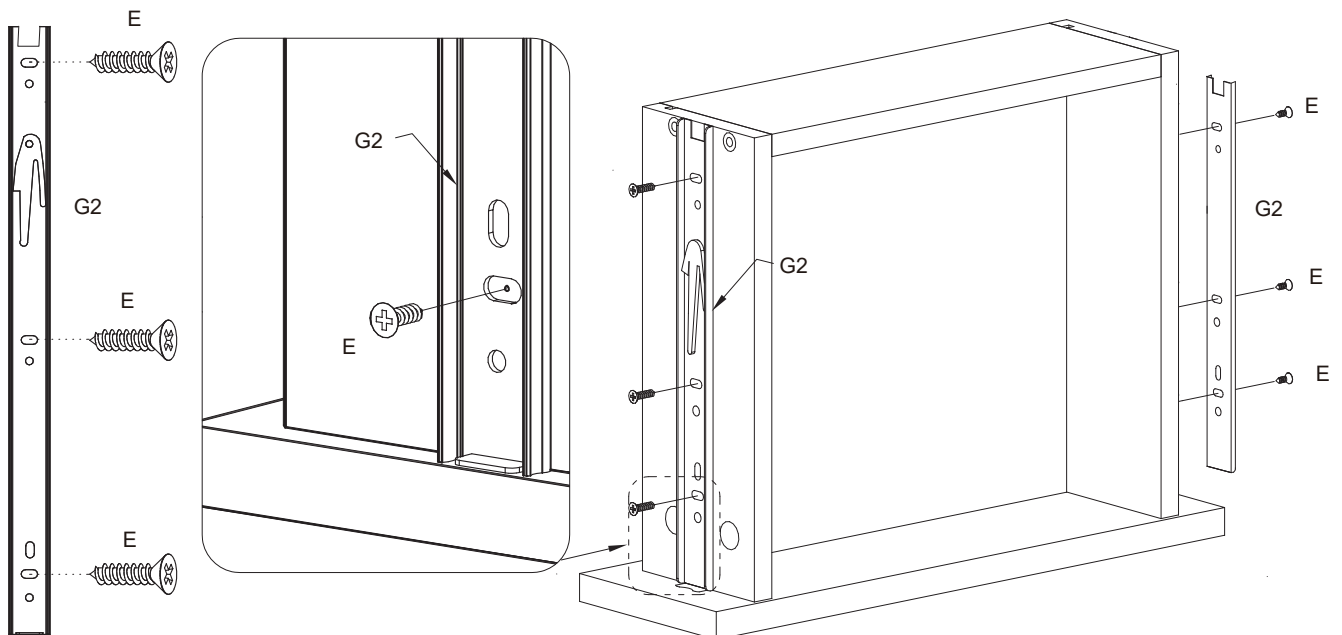
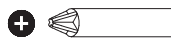
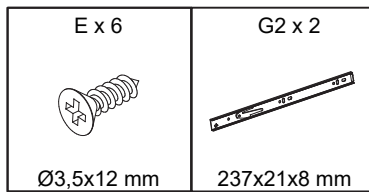
16



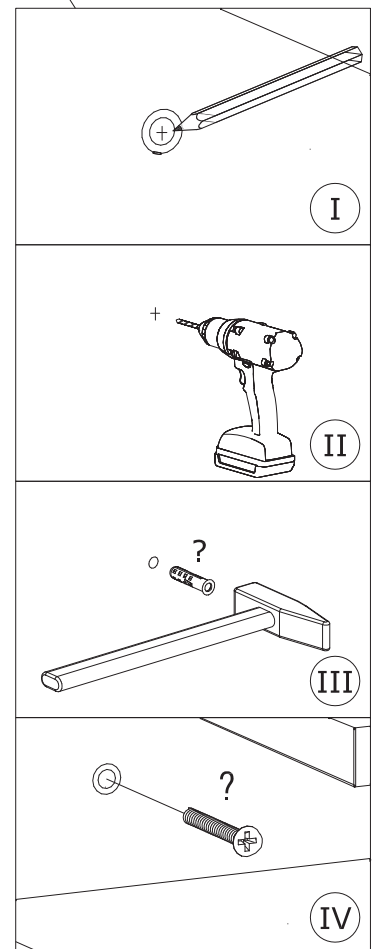
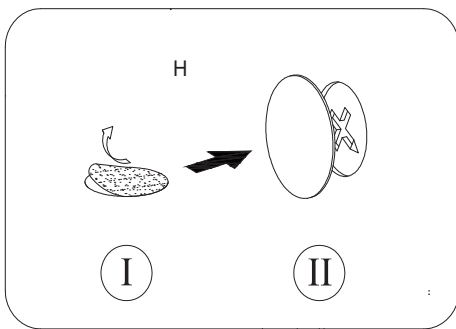
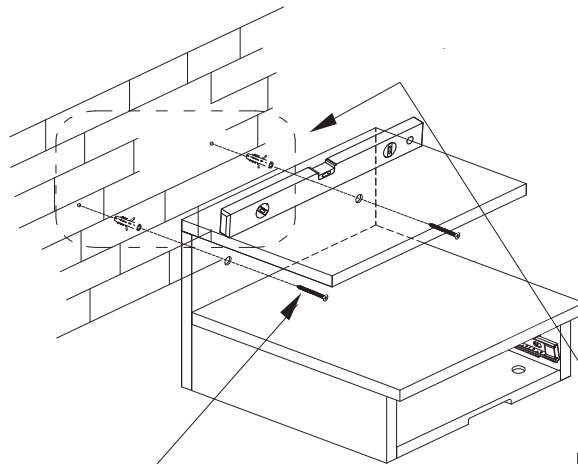
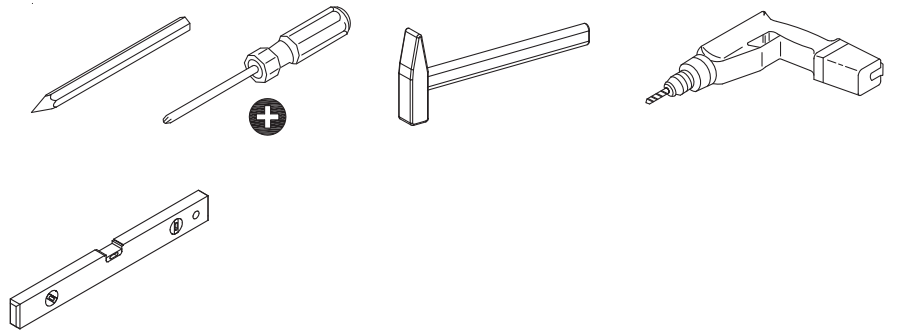
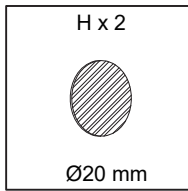
17



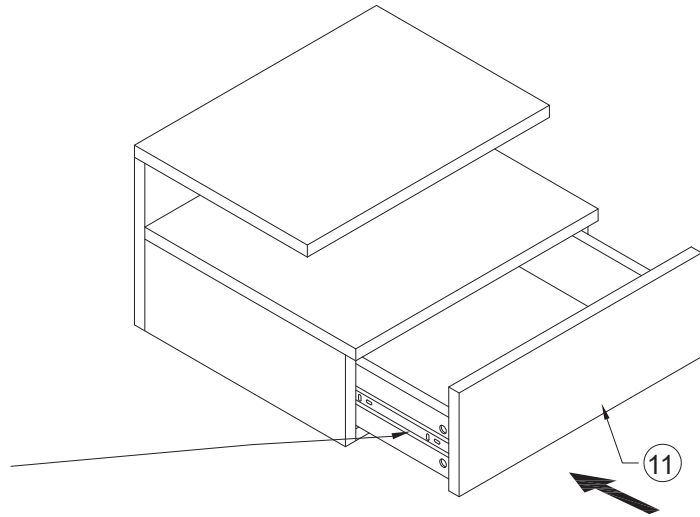
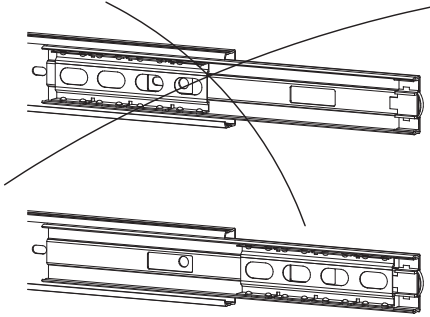
18



19



20



21

