
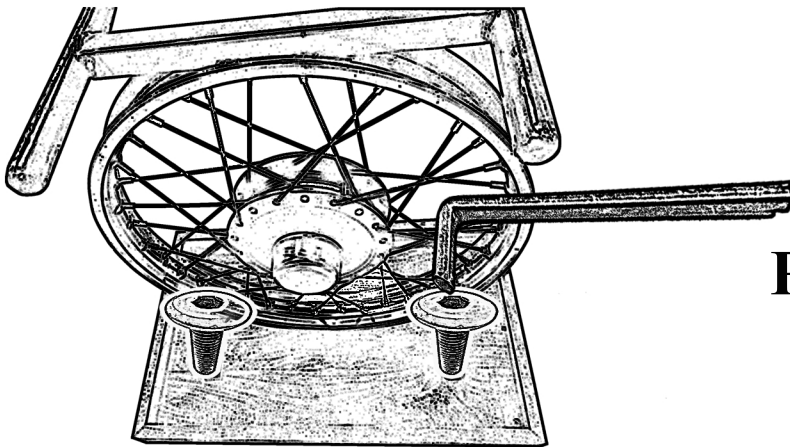
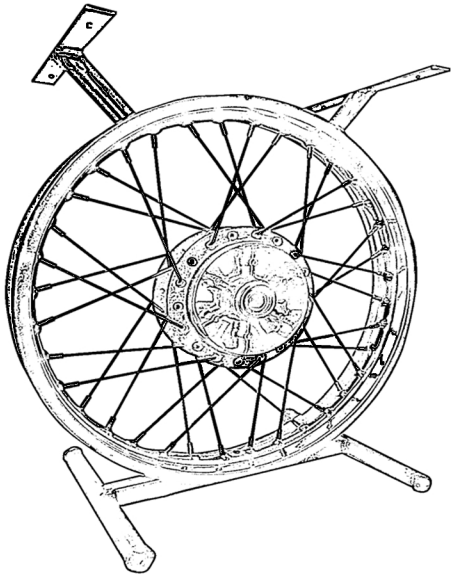


(1)  X 4 (6x16mm)

(2)  X 1 (3mm)



Rotate Clockwise

Final Picture

