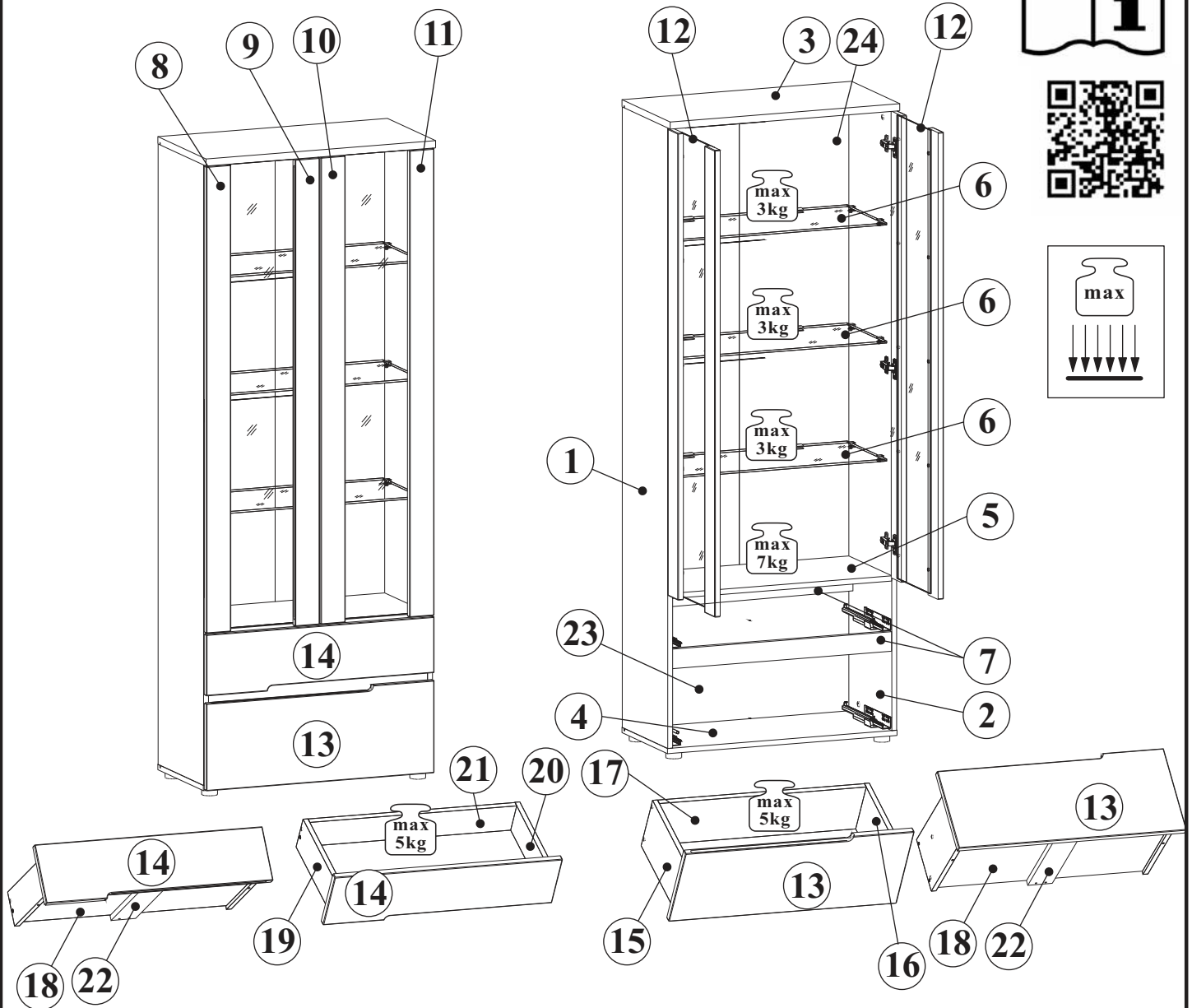
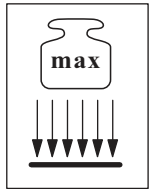
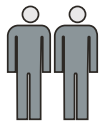


MEMPHIS 1KG6_02

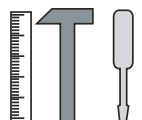


NO	DIM [mm]		COL.-NO	QTY
1	1908	358	16 2/3	1
2	1908	358	16 2/3	1
3	750	380	22 1/3	1
4	750	358	16 1/3	1
5	716	338	16 1/3	1
6	706	310	6 1/3	3
7	716	60	16 1/3	2
8	1435	80	18 3/3	1
9	1435	80	18 3/3	1
10	1435	80	18 3/3	1
11	1435	80	18 3/3	1
12	1425	260	4 2/3	2

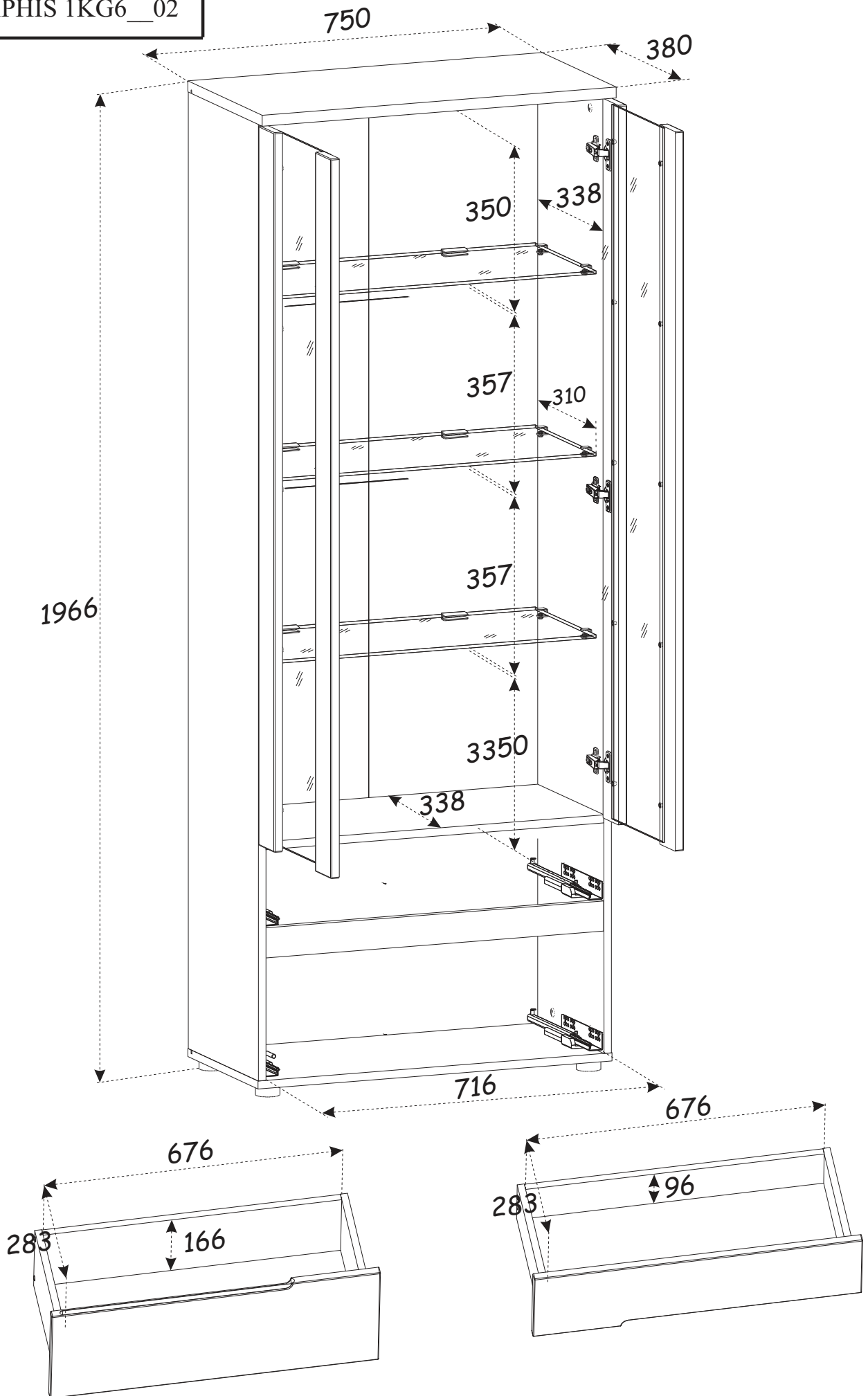
NO	DIM [mm]		COL.-NO	QTY
13	744	284	18 3/3	1
14	744	188	18 3/3	1
15	300	180	16 1/3	1
16	300	180	16 1/3	1
17	676	166	16 1/3	1
18	304	688	3 1/3	2
19	300	110	16 1/3	1
20	300	110	16 1/3	1
21	676	96	16 1/3	1
22	300	80	16 2/3	2
23	728	236	3 1/3	2
24	1445	364	3 2/3	2

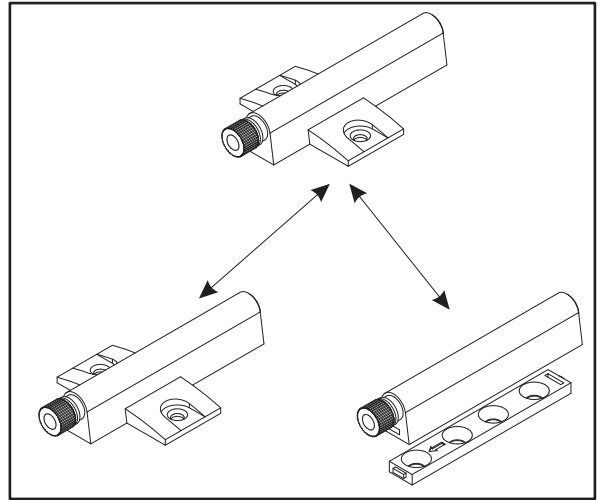
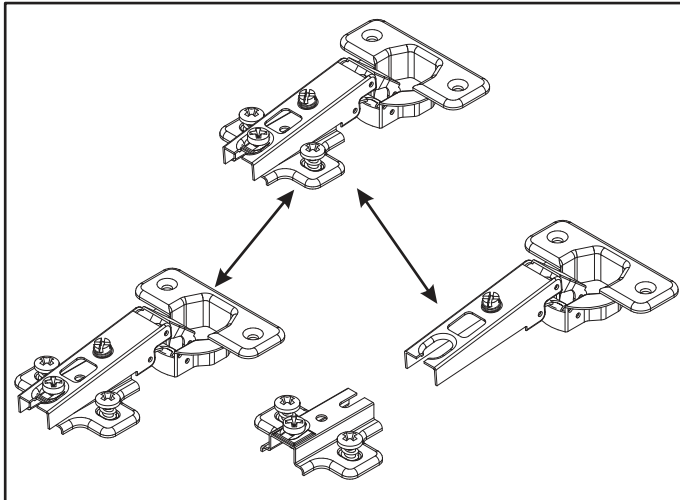
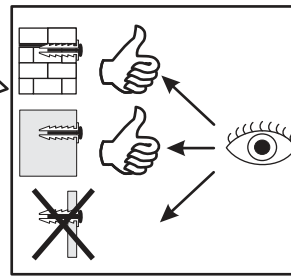
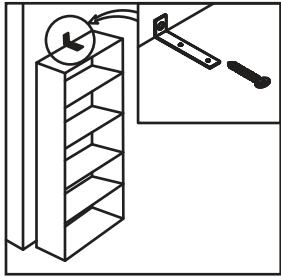
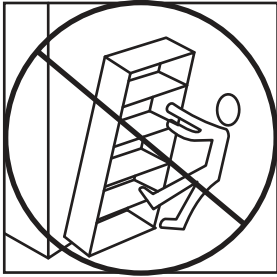
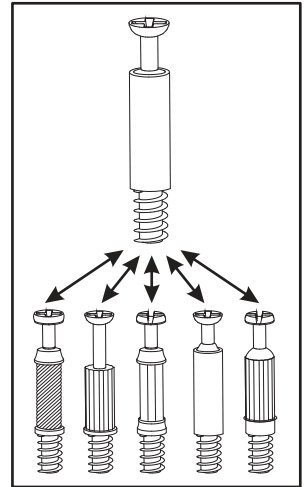
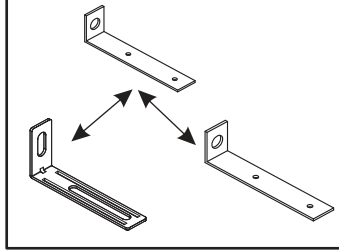
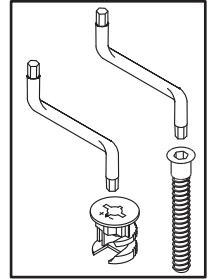
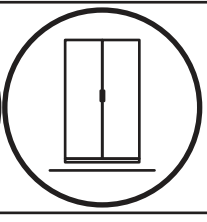
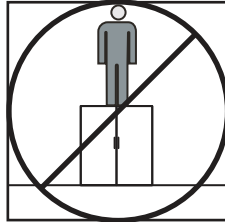
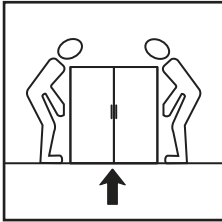
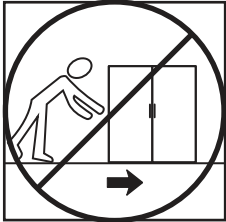
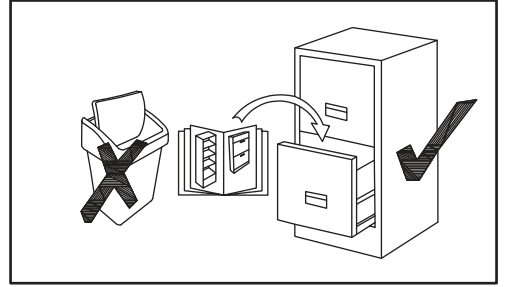
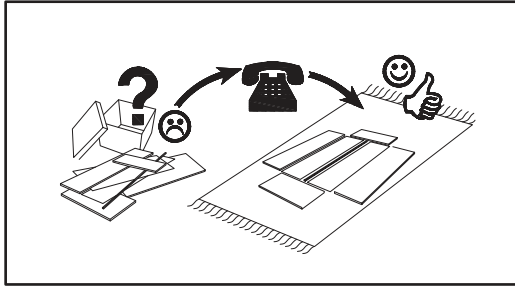
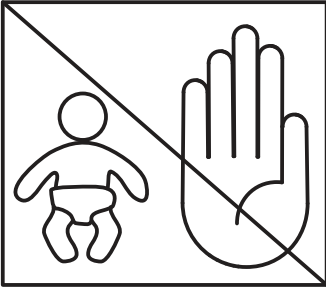
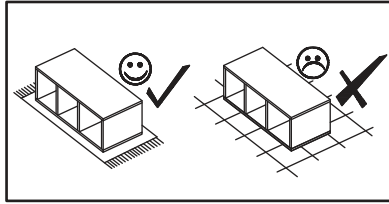
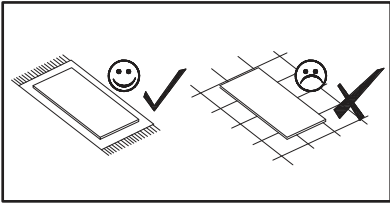


220 min



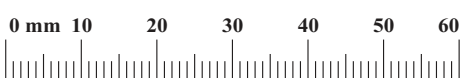
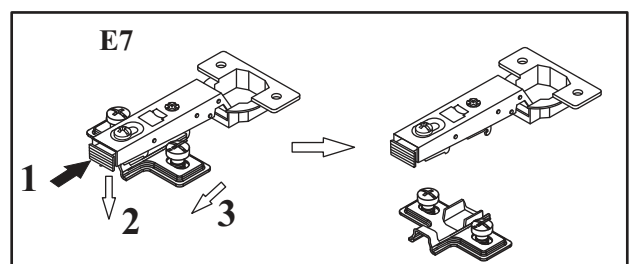
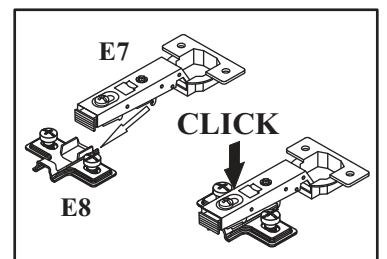
MEMPHIS 1KG6_02




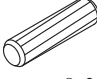

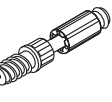






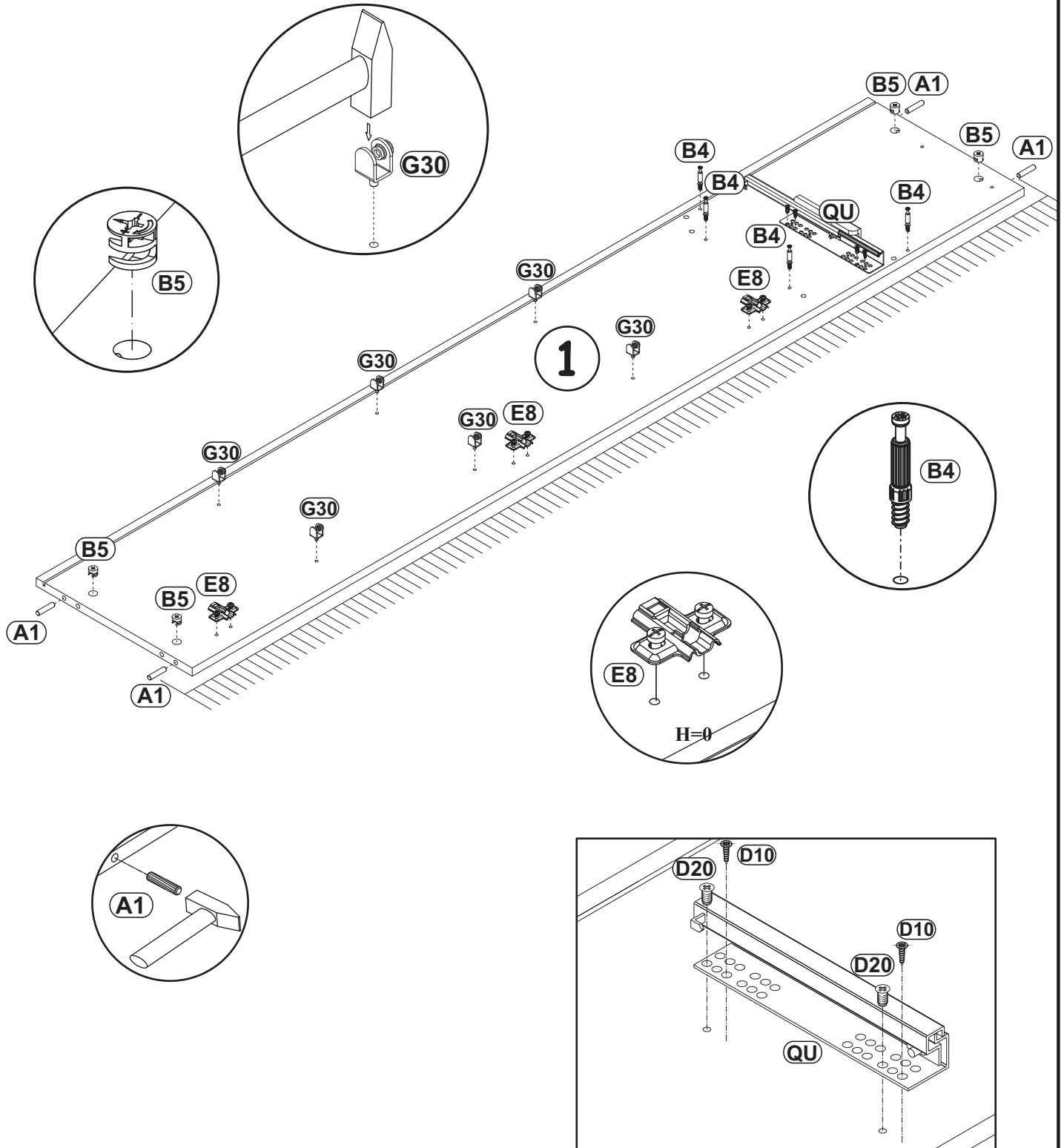
MEMPHIS 1KG6__02

A1 x26 ø8x36	B4 x22	B5 x22 ø15x12	G5 x20	B11 x8 Ø7x50	G4 x8
E7 x6 Ø35 H=0	E8 x6 H=0	G30 x12	QU x2 L-300	I18 x5 Ø48, h=20	G2 x1
P2 x20	S1 x28	G16 x6	UL1 x1 1x6	D20 x8 ESØ6,3x9,5	D10 x22 USØ3,5x13
UP6 x4 UPØ4x30	UP9 x42 UPØ3,5x16	L1 x1	KR1 x1	G20 x2	



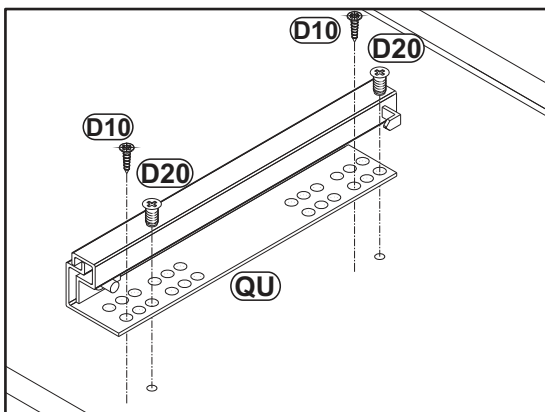
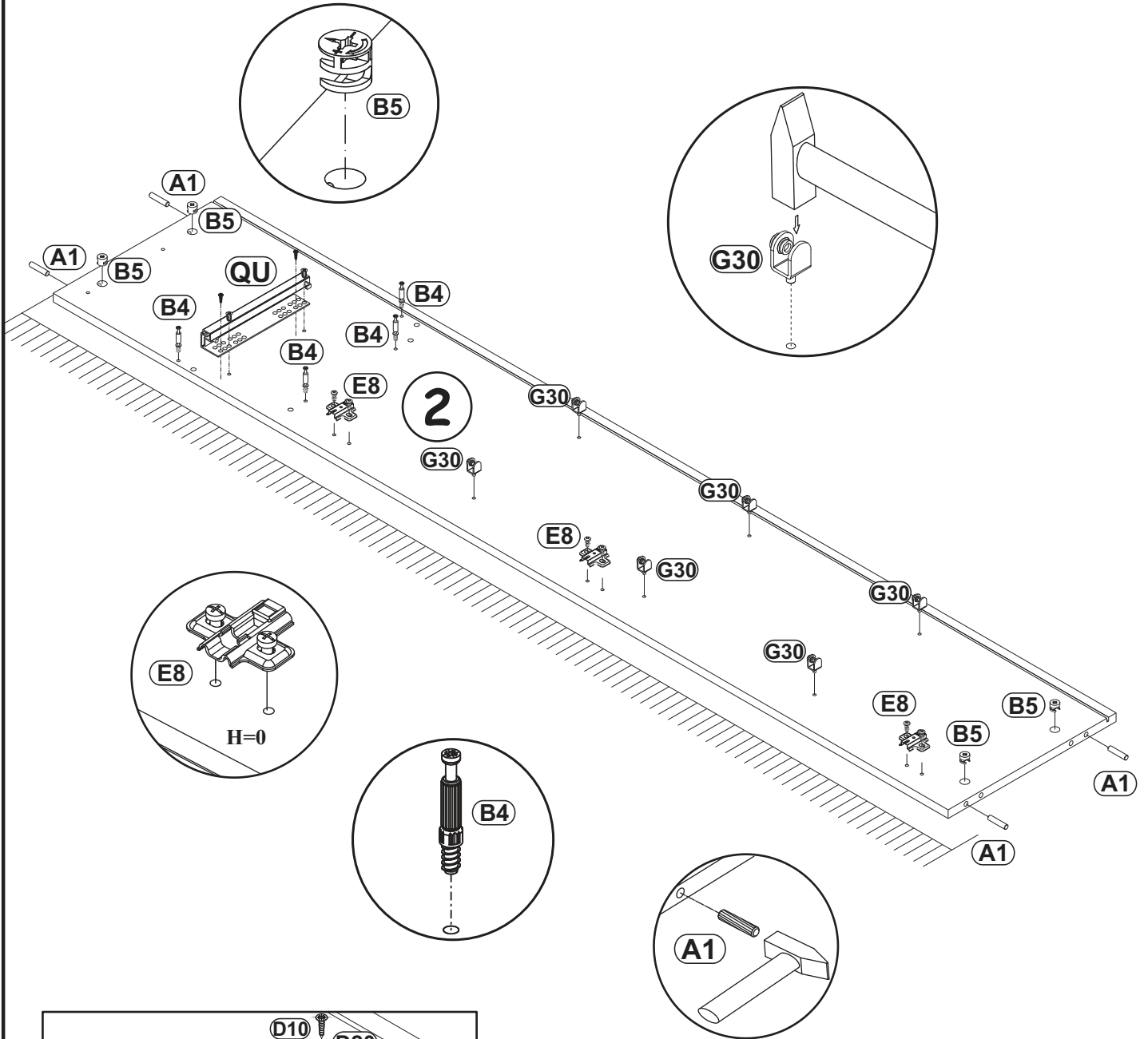
1

G30 x6		A1 x4	 ø8x36	B5 x4	 ø15x12	B4 x4	
D10 x2	 USØ3,5x13	D20 x2	 ESØ6,3x9,5	QU x1	 L-300	E8 x3	 H=0

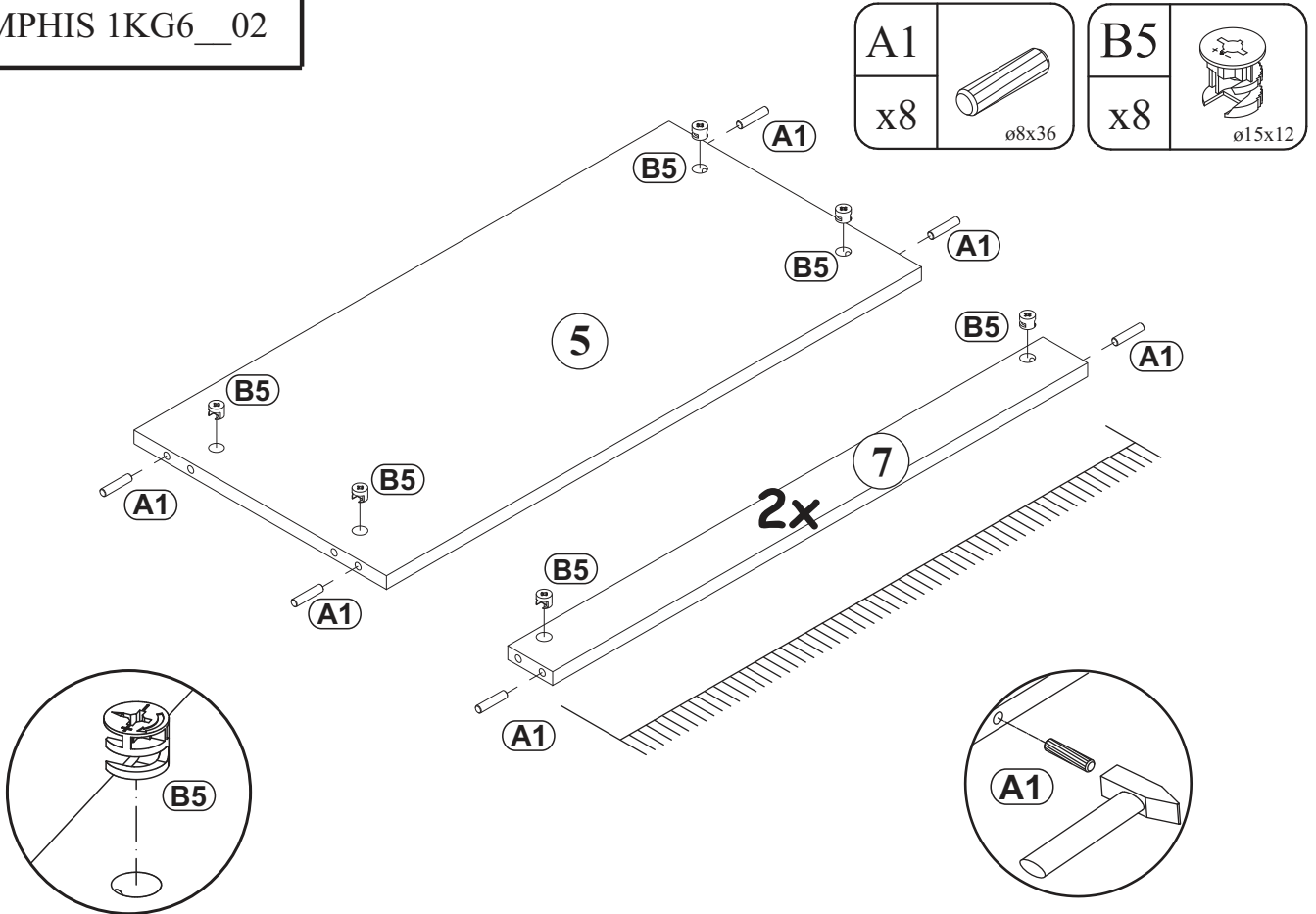


2

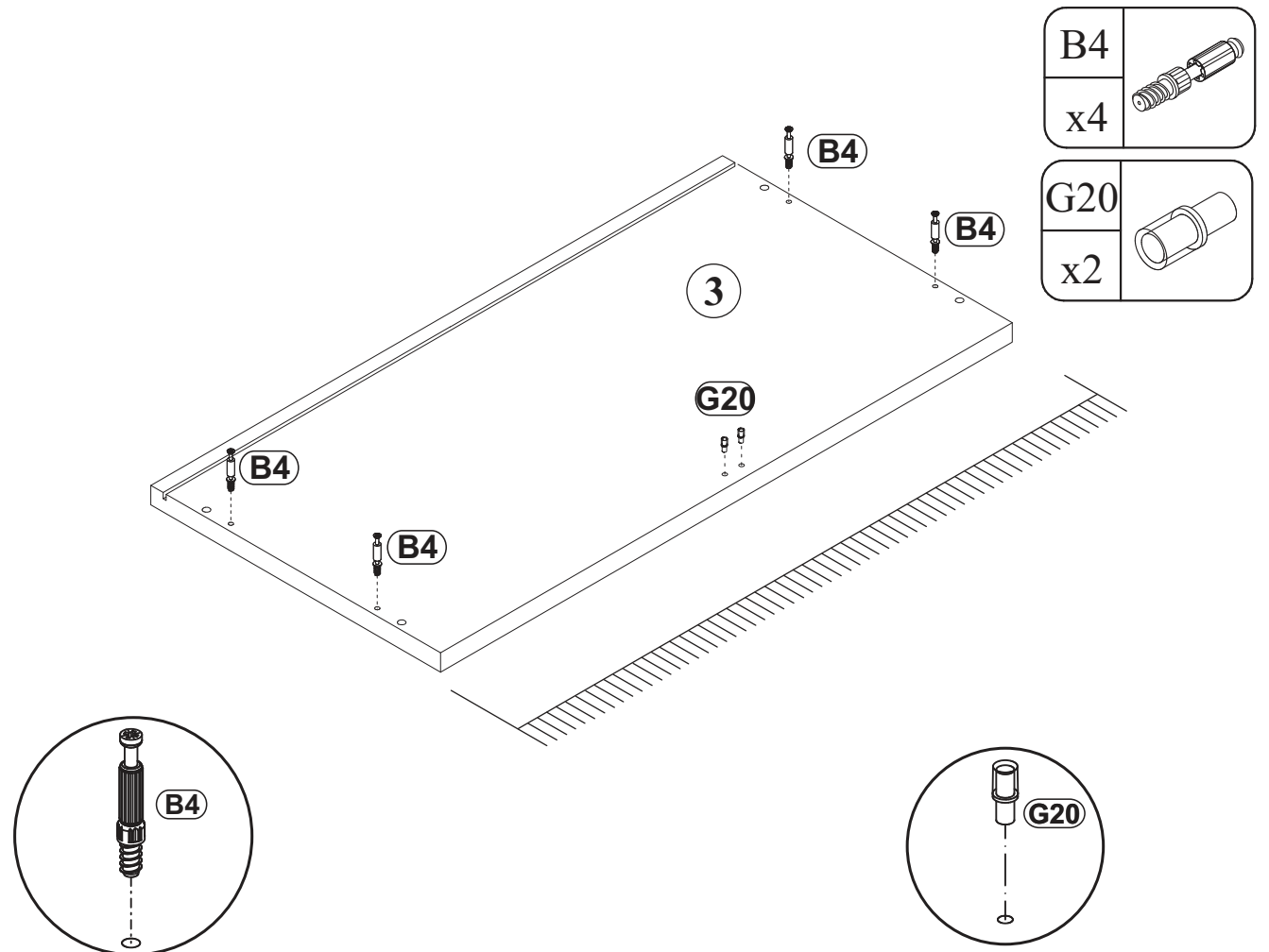
G30 x6		A1 x4		B5 x4		B4 x4	
D10 x2		D20 x2		QU x1		E8 x3	



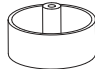
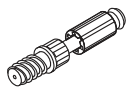
3

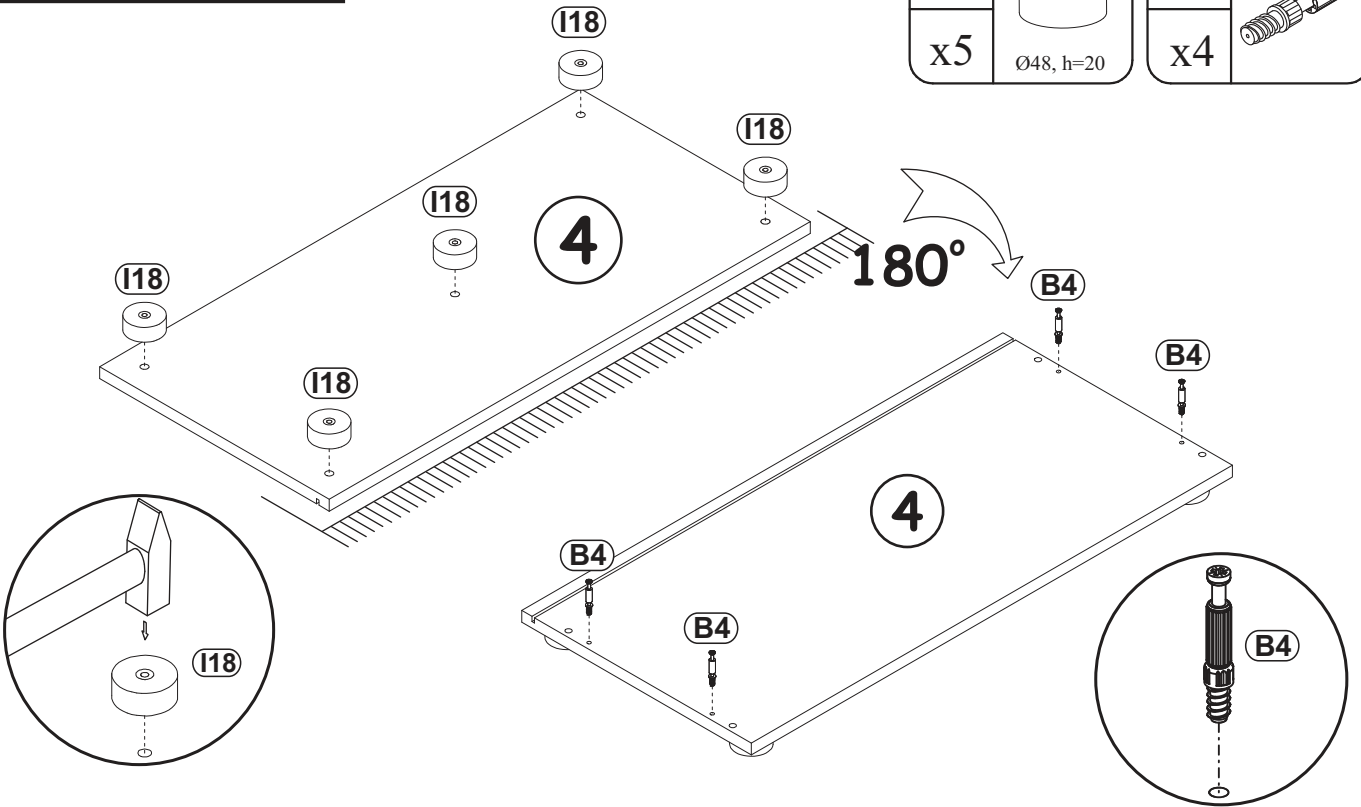


4

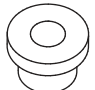



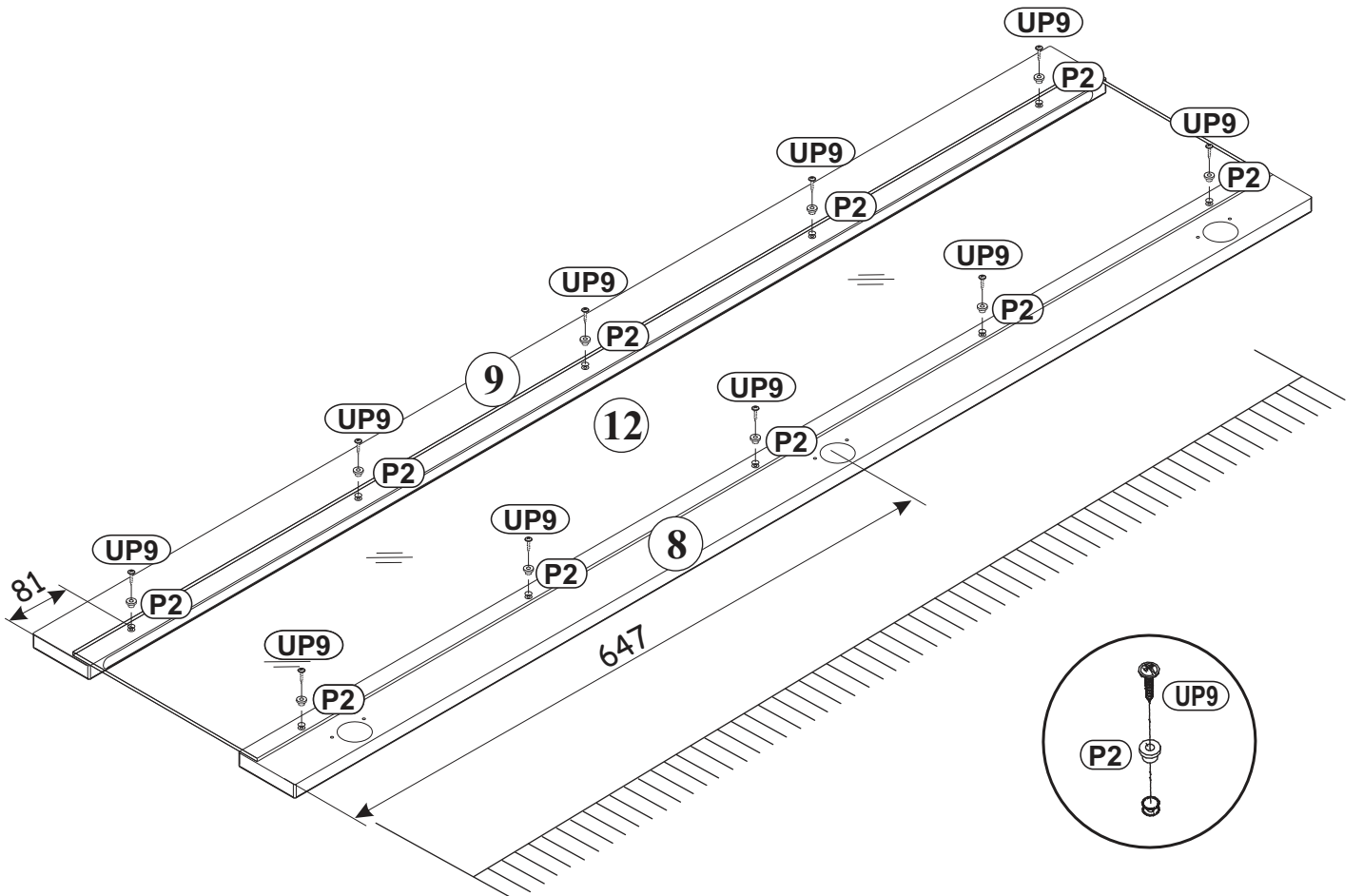
5

I18		B4	
x5	Ø48, h=20	x4	



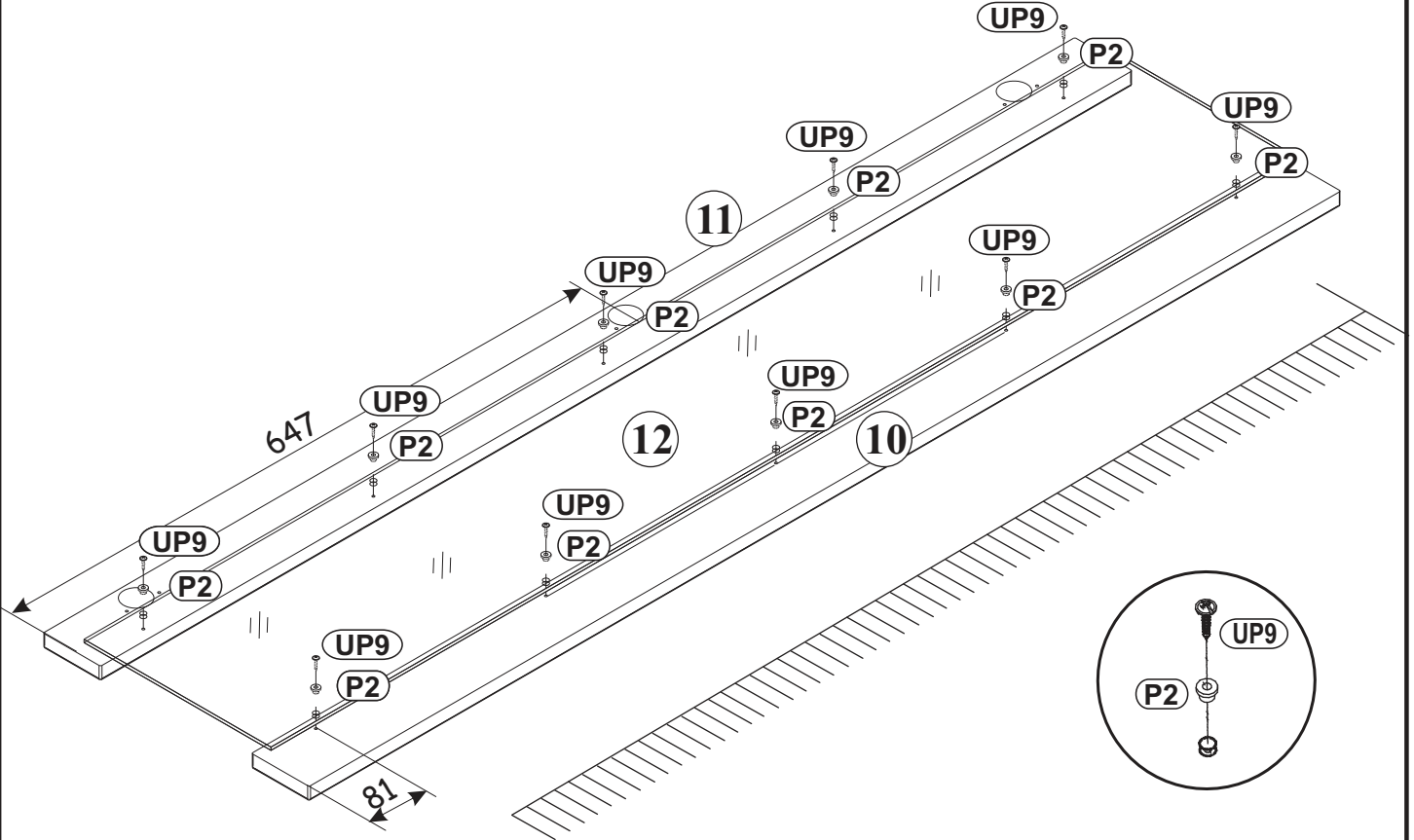
6

P2		UP9	
x10		x10	UPØ3,5x16


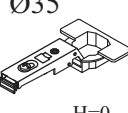


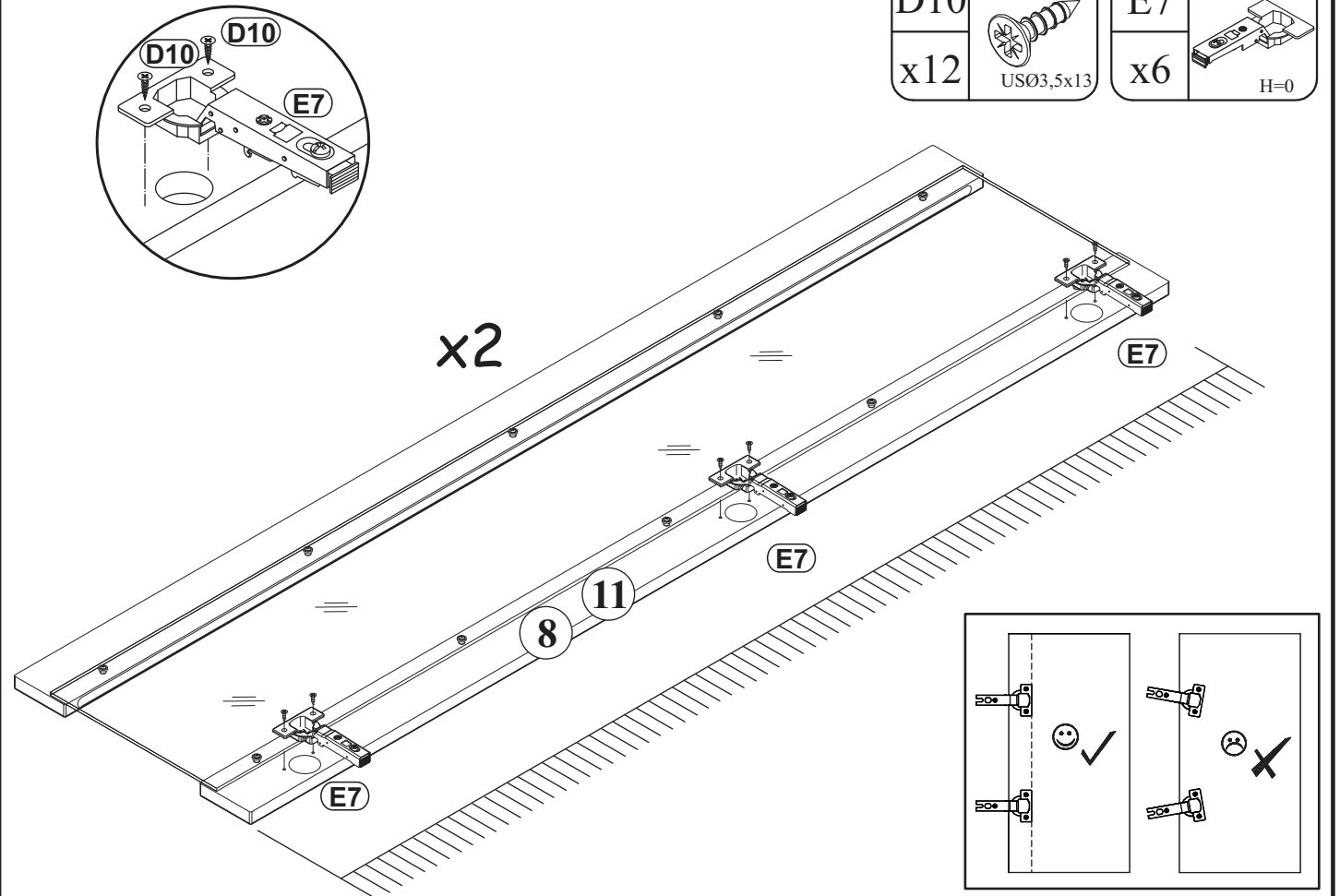
7

P2		UP9	
x10		x10	UPØ3,5x16

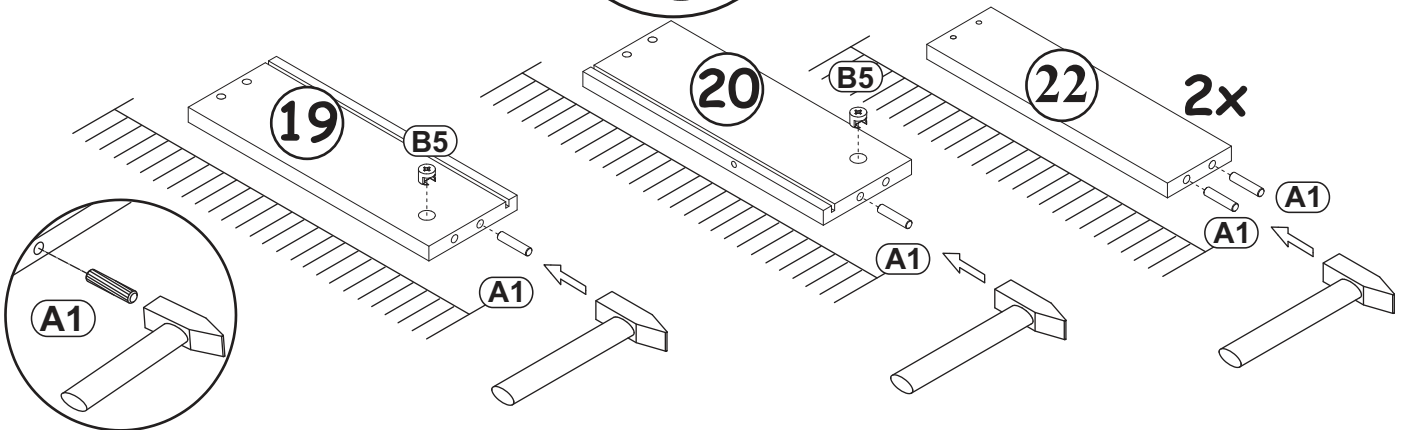
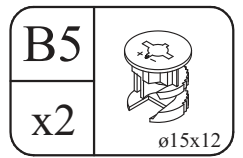
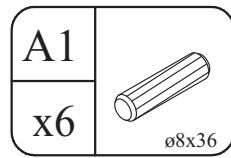
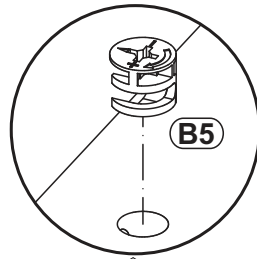


8

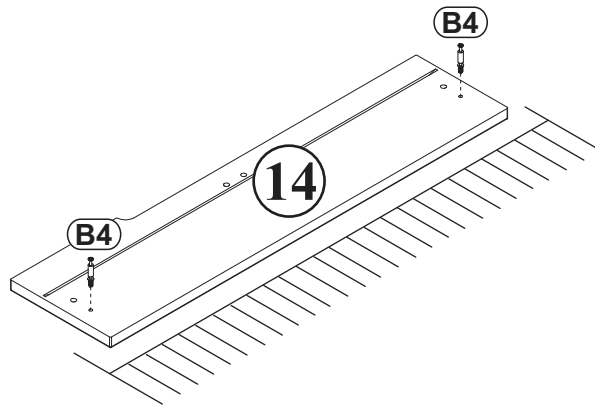
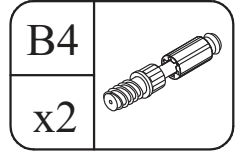
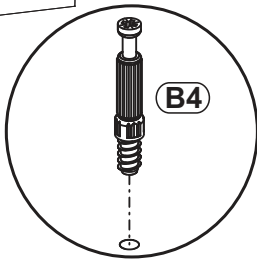
D10		E7	
x12	USØ3,5x13	x6	Ø35 H=0



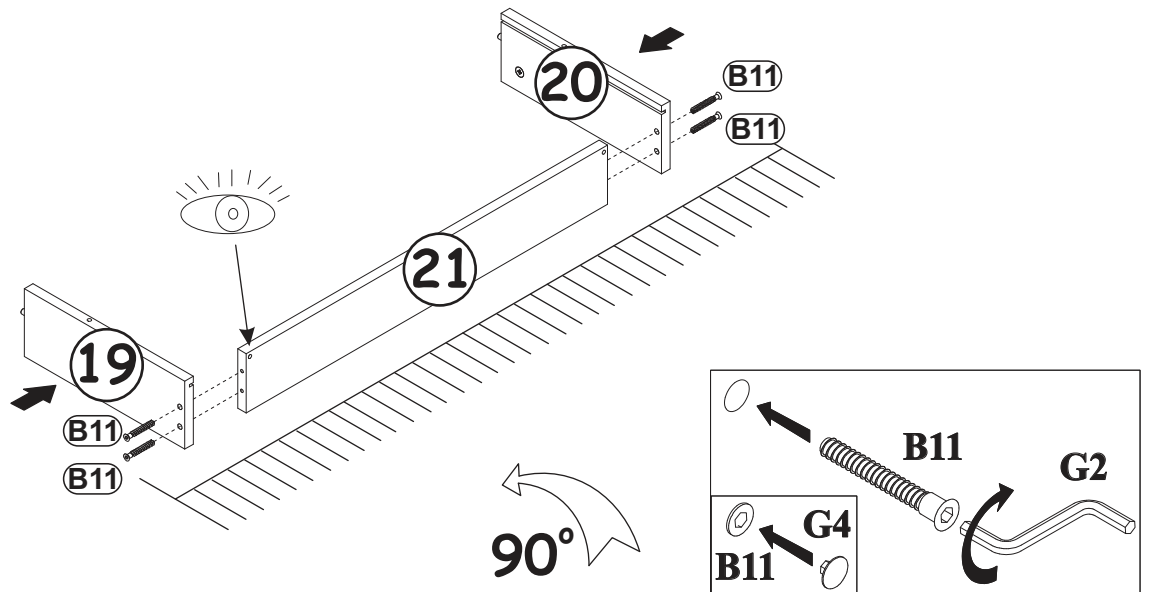
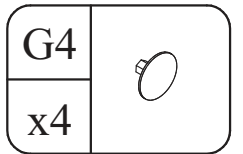
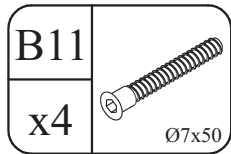
9



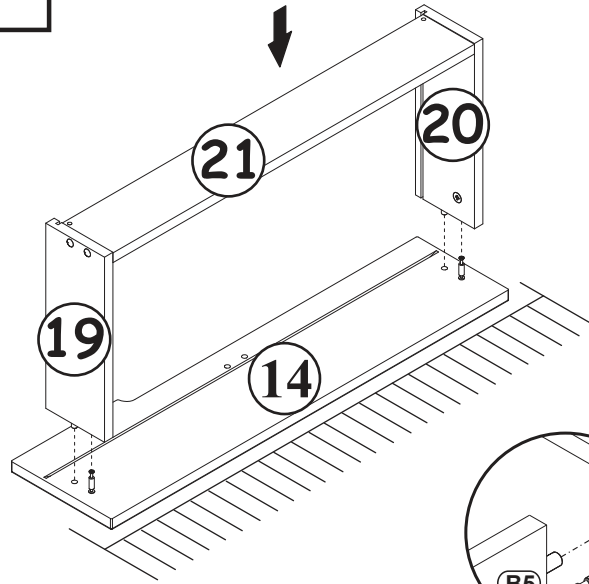
10



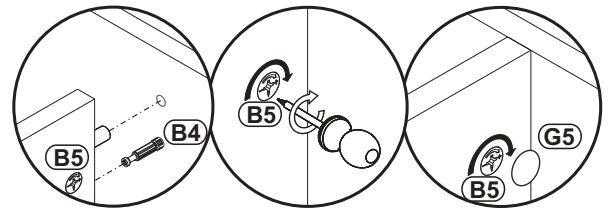
11



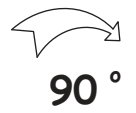
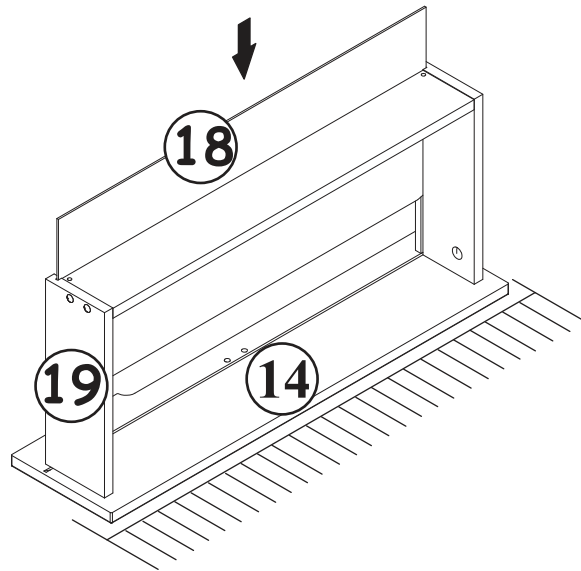
12



G5	
x2	

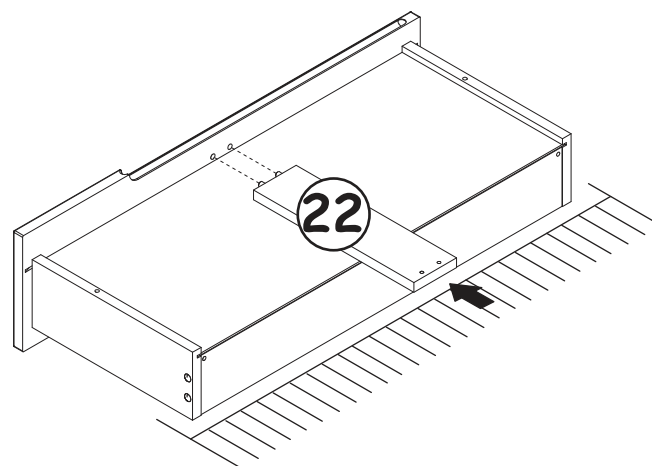
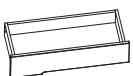


13

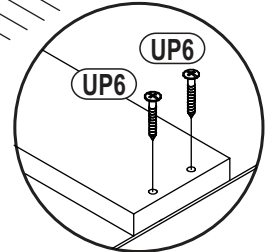
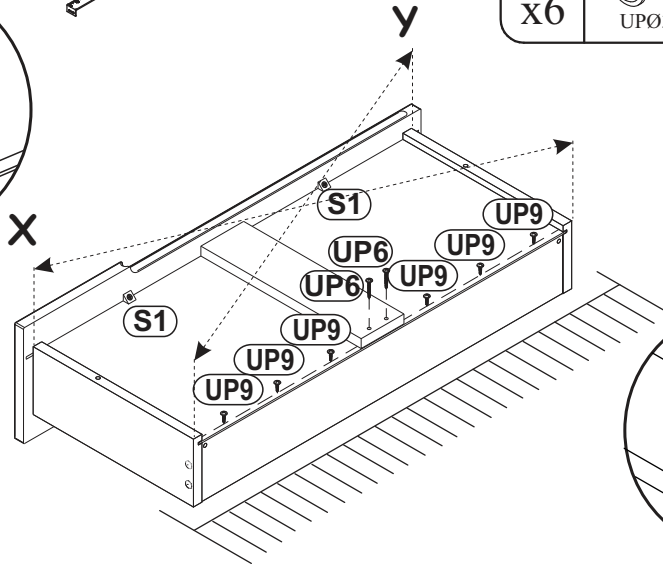
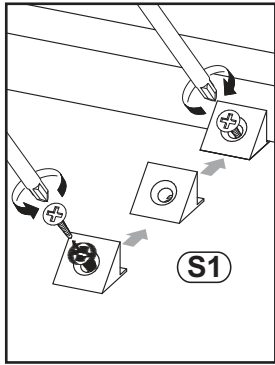
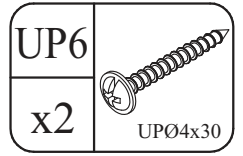
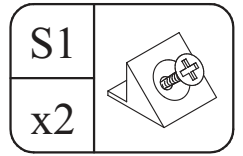
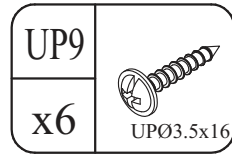
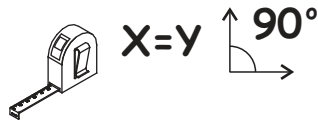
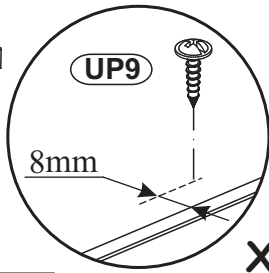


90 °

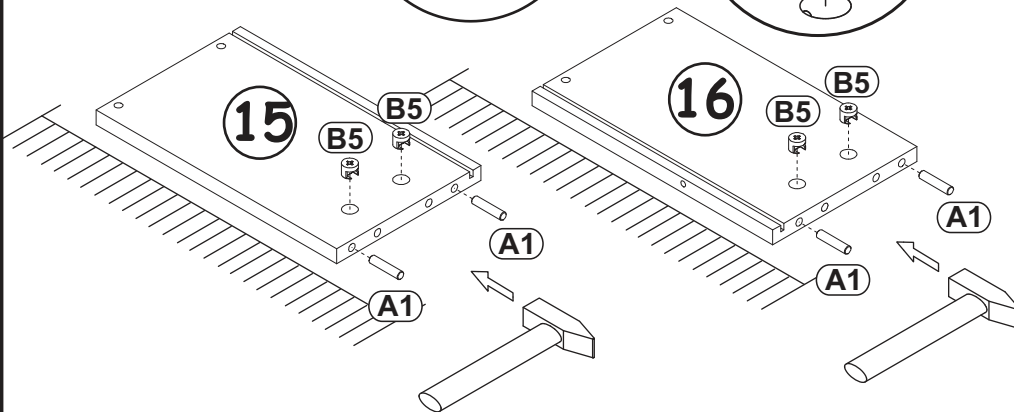
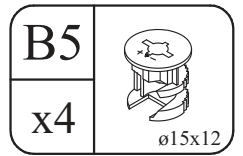
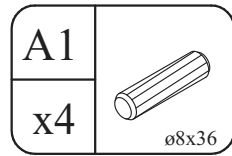
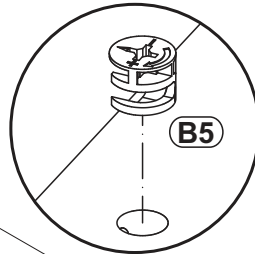
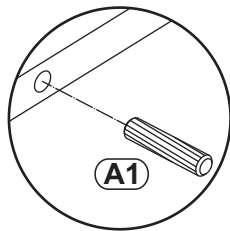
14



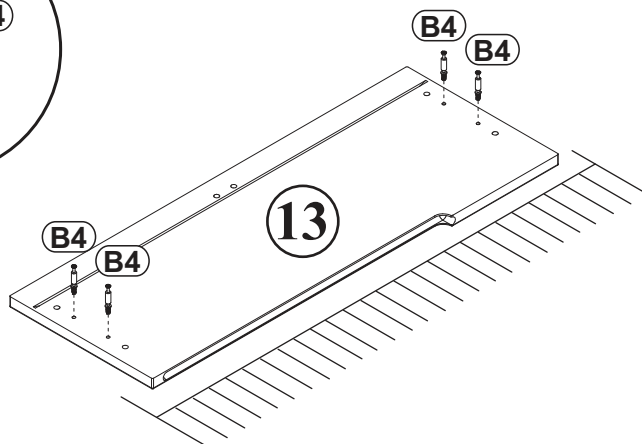
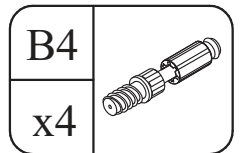
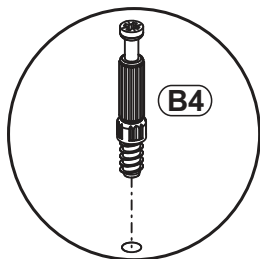
15



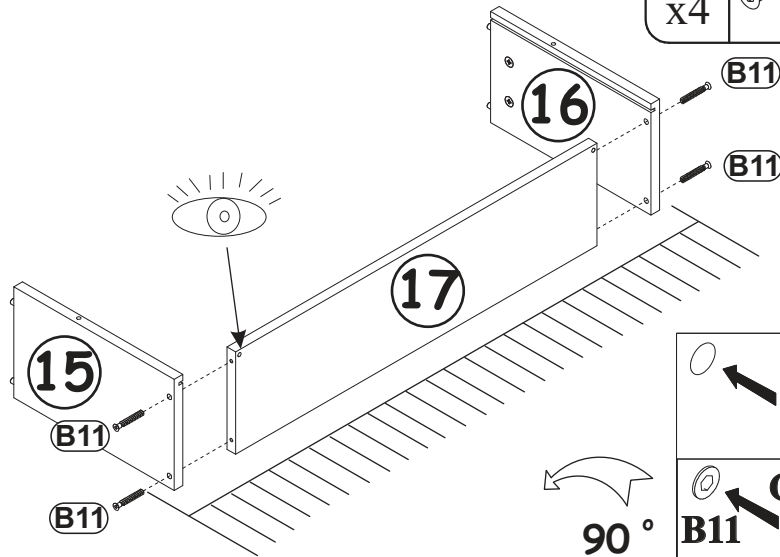
16



17

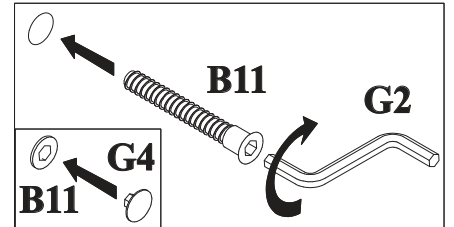


18

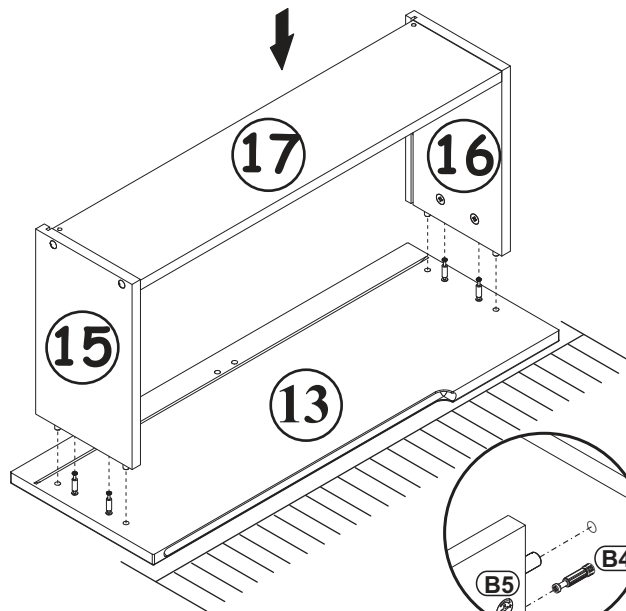


B11	
x4	Ø7x50

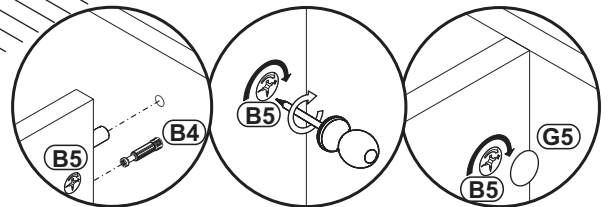
G4	
x4	



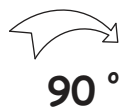
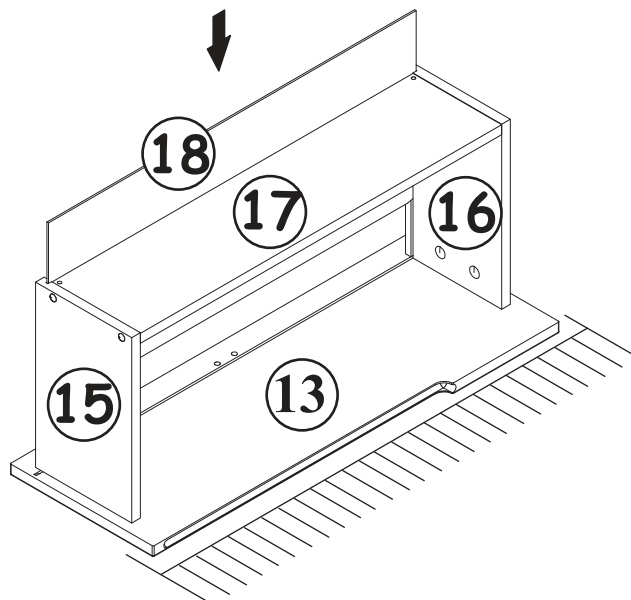
19



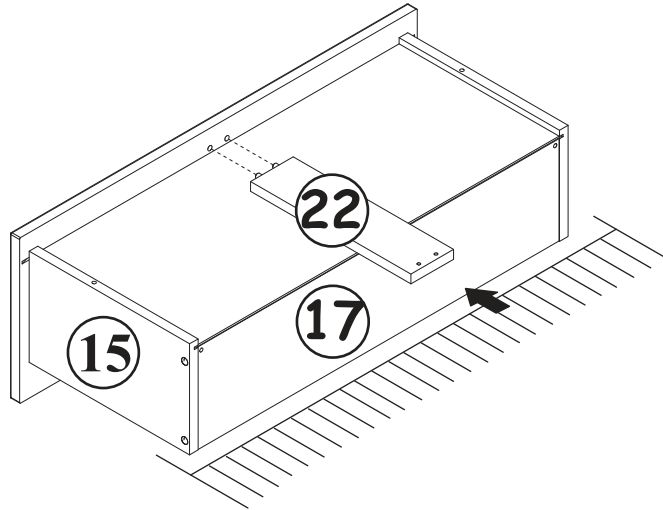
G5	
x4	



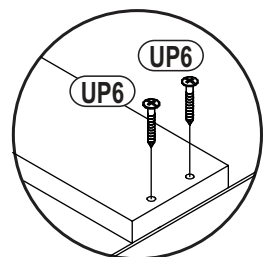
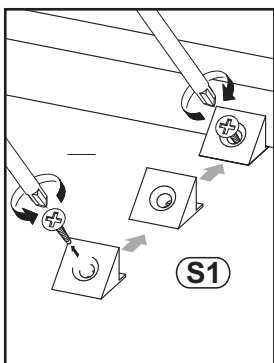
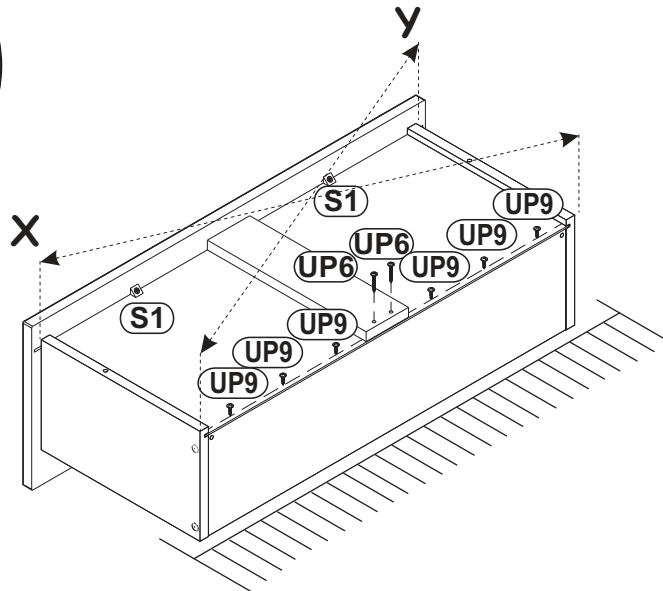
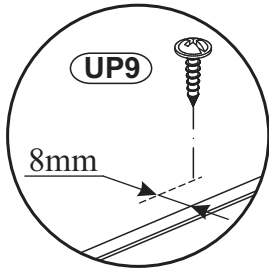
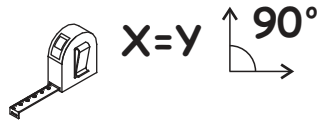
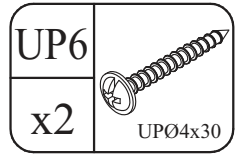
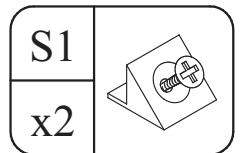
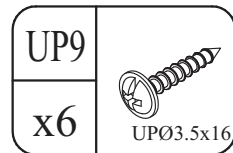
20





21

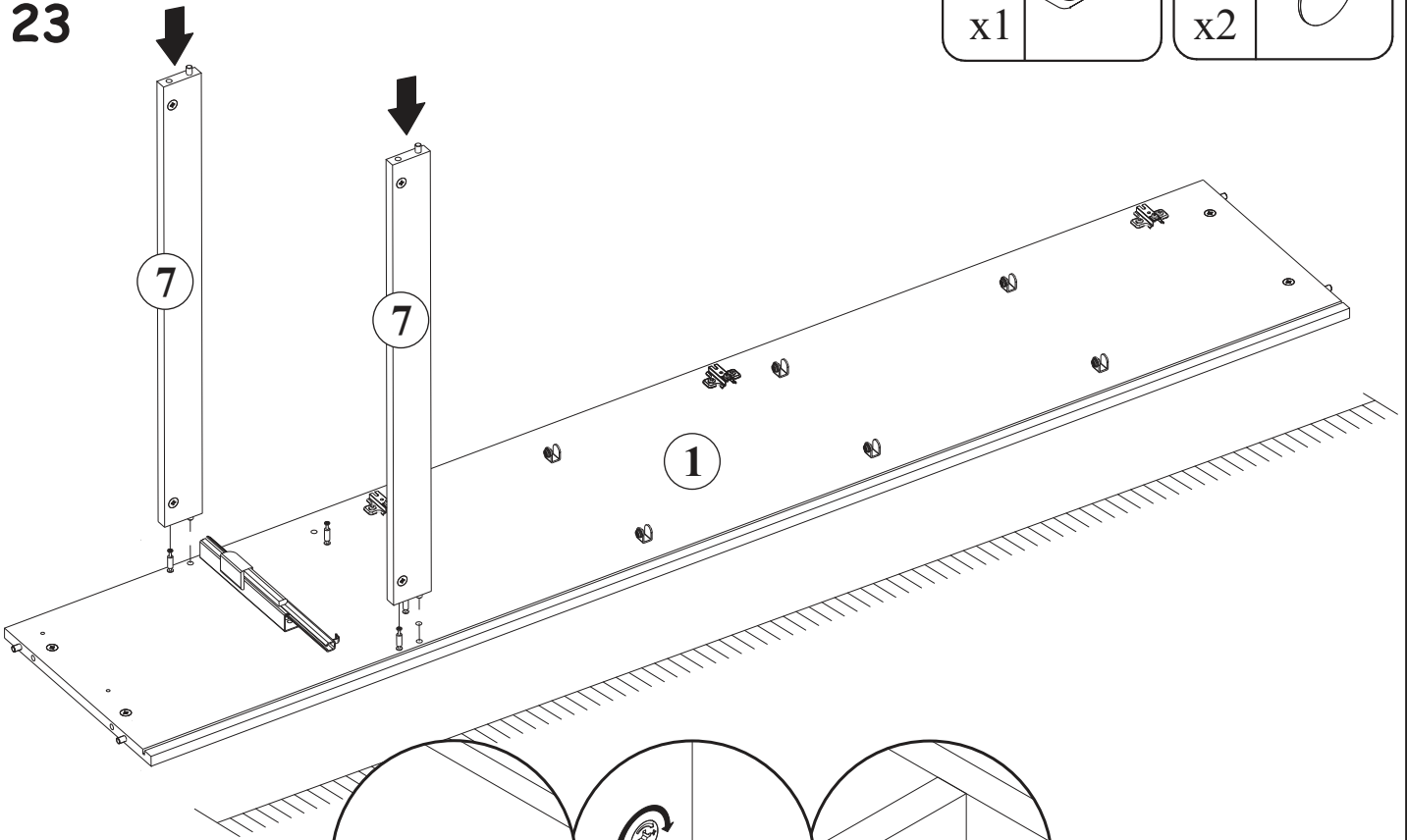


22

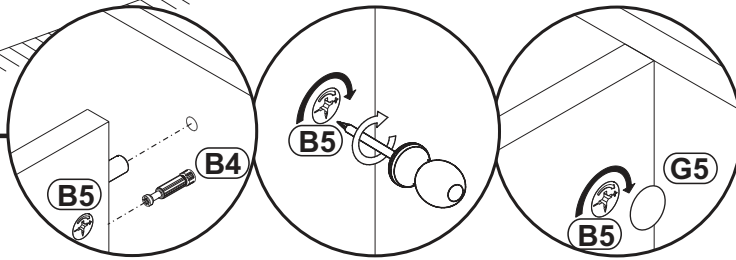



G2		G5	
x1		x2	


23

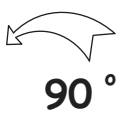
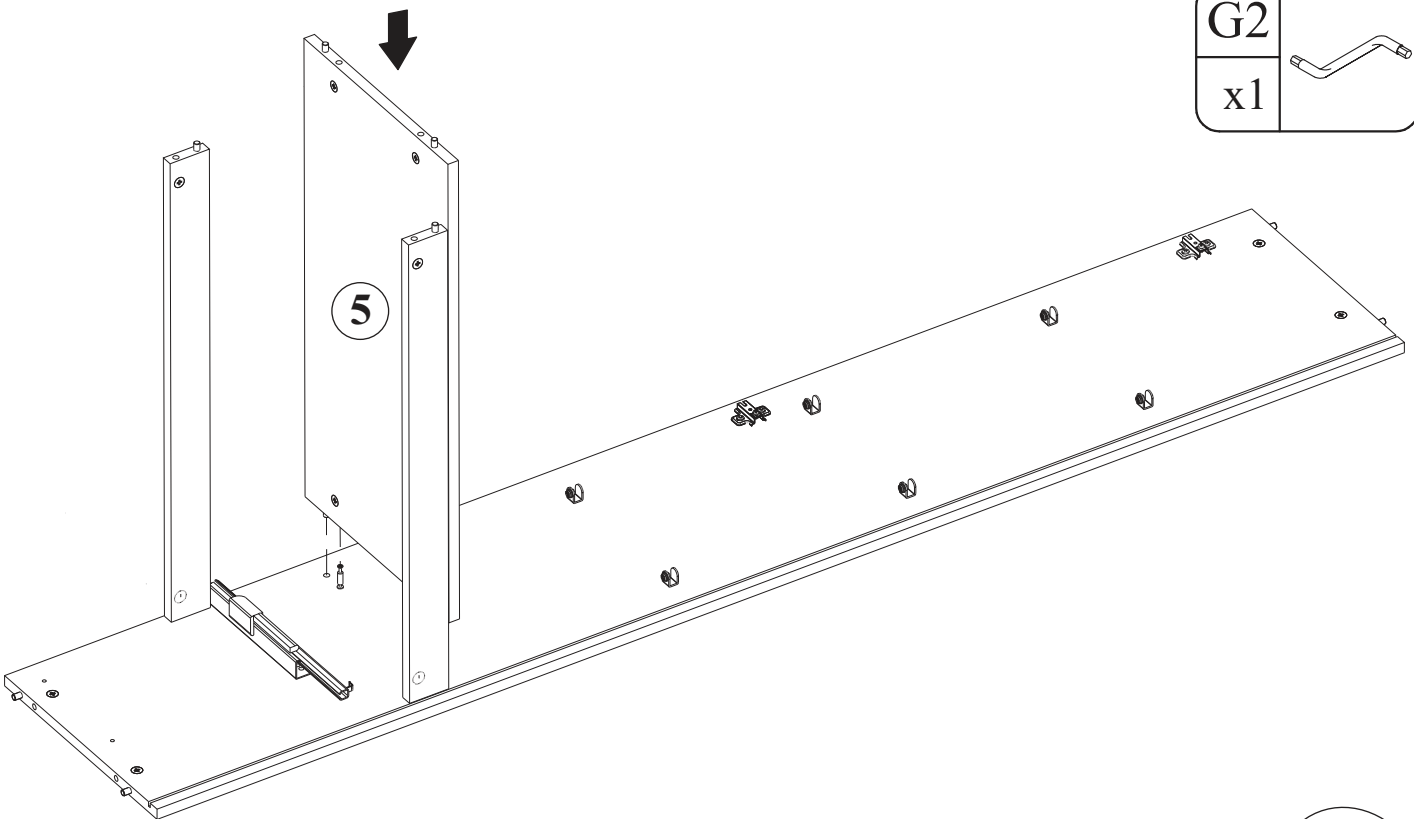


24





G5	
x2	

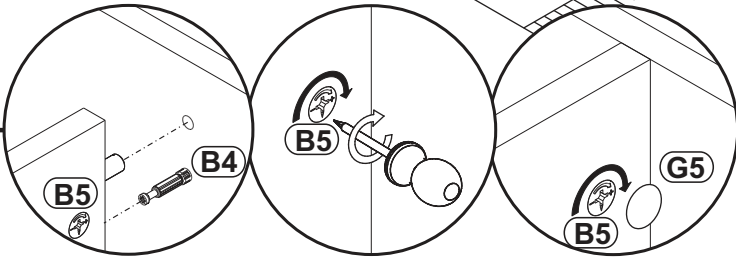
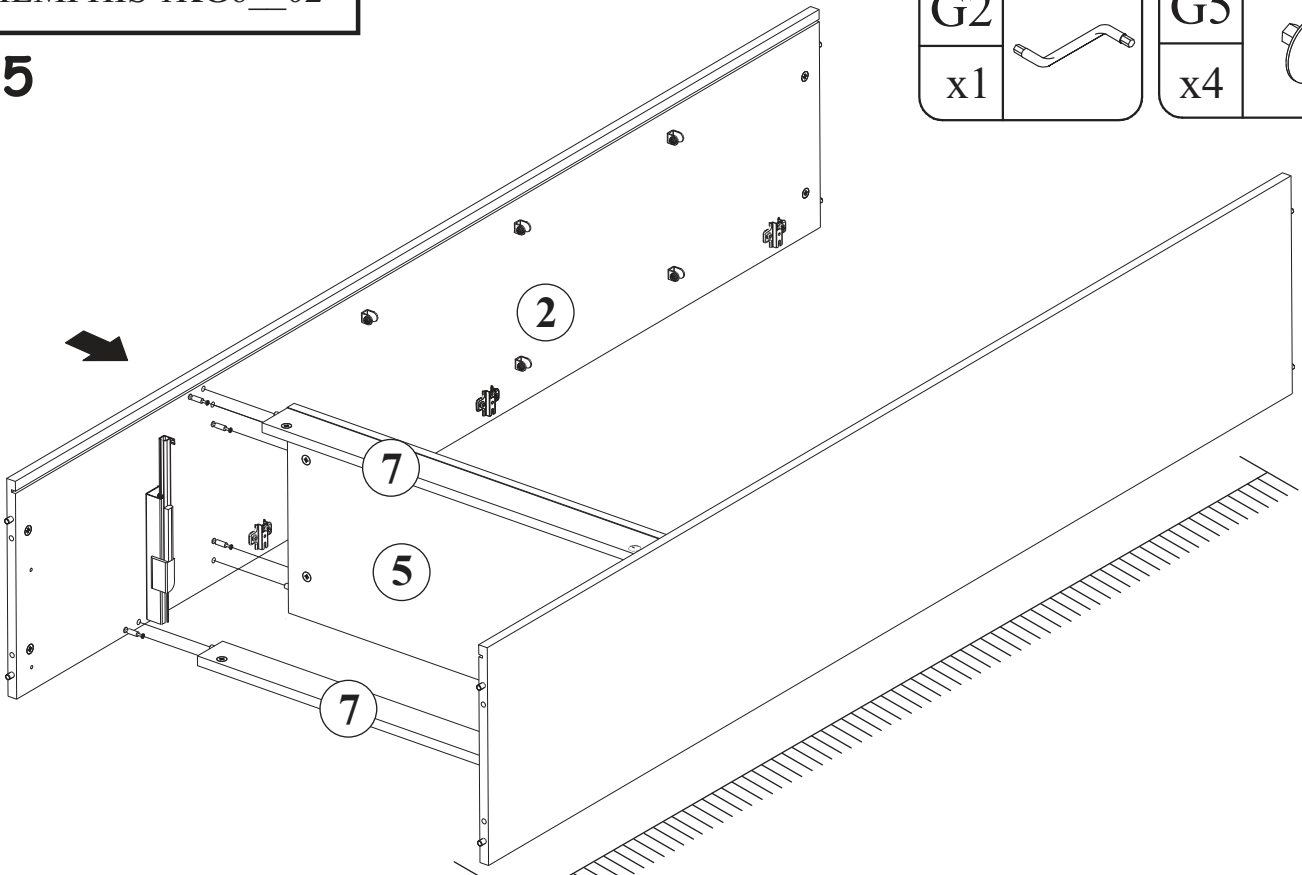
G2	
x1	





90°

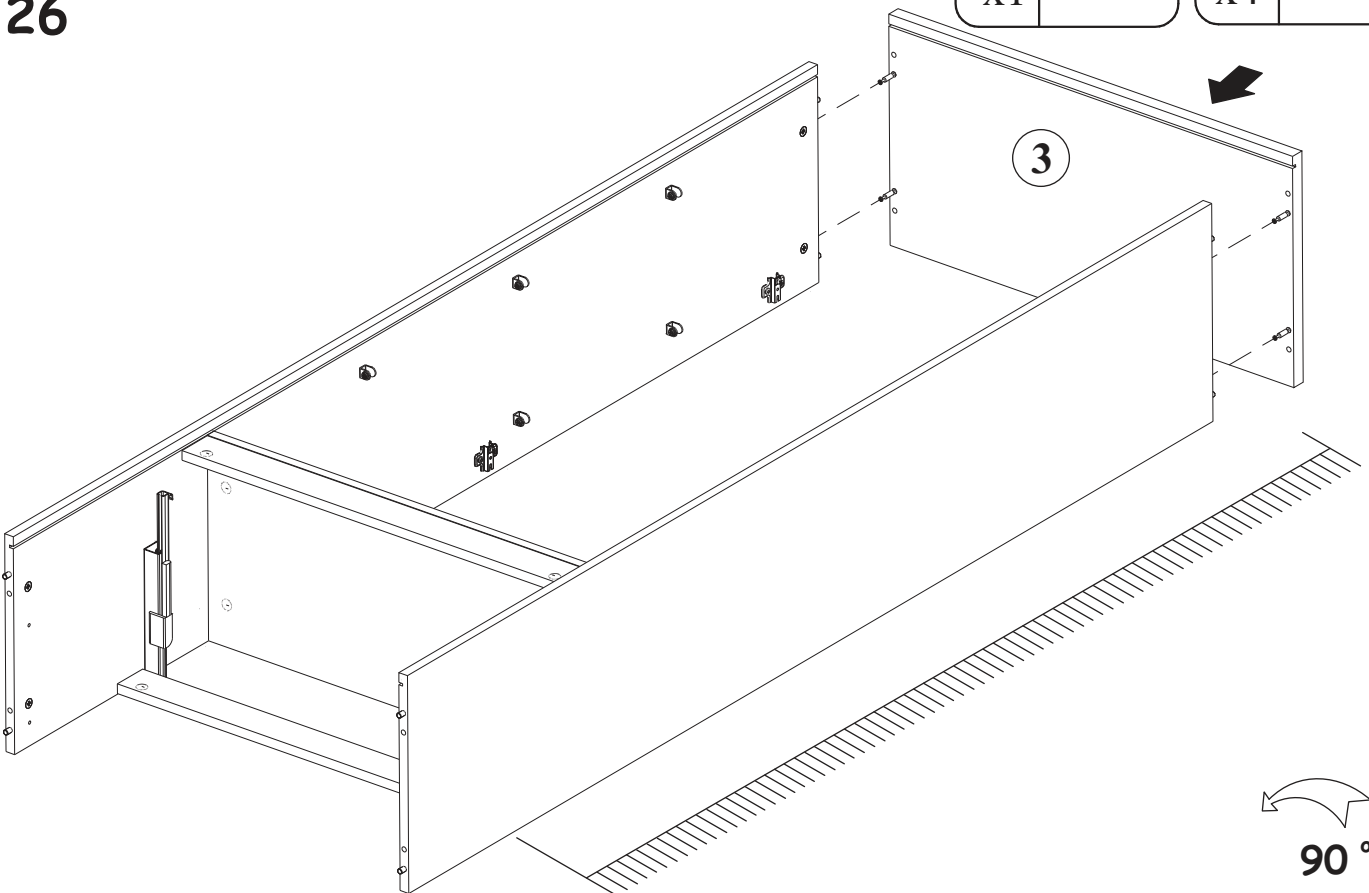
25

G2		G5	
x1		x4	

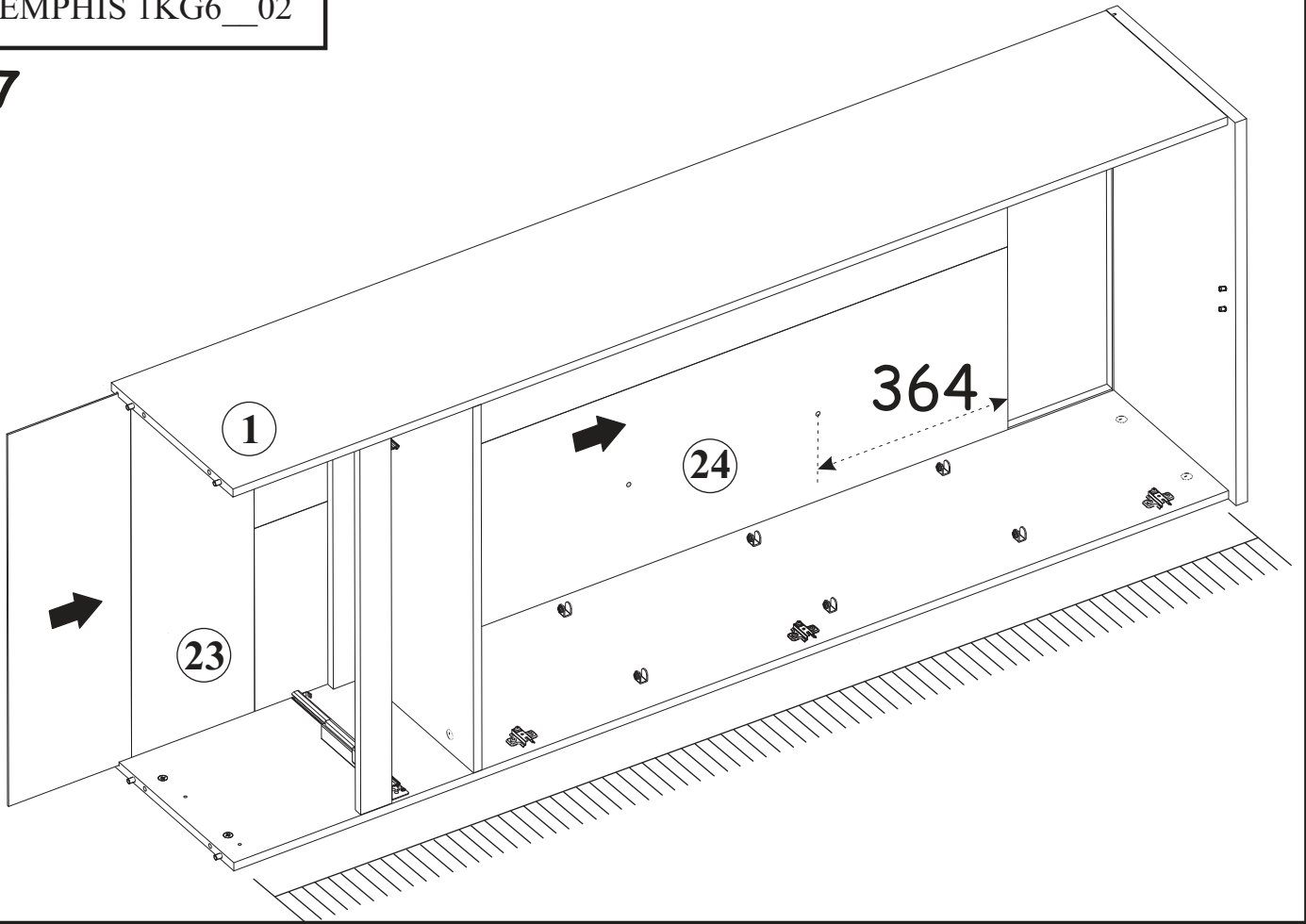


26

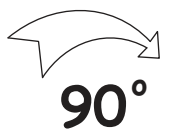
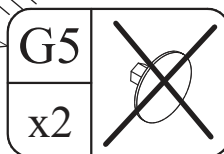
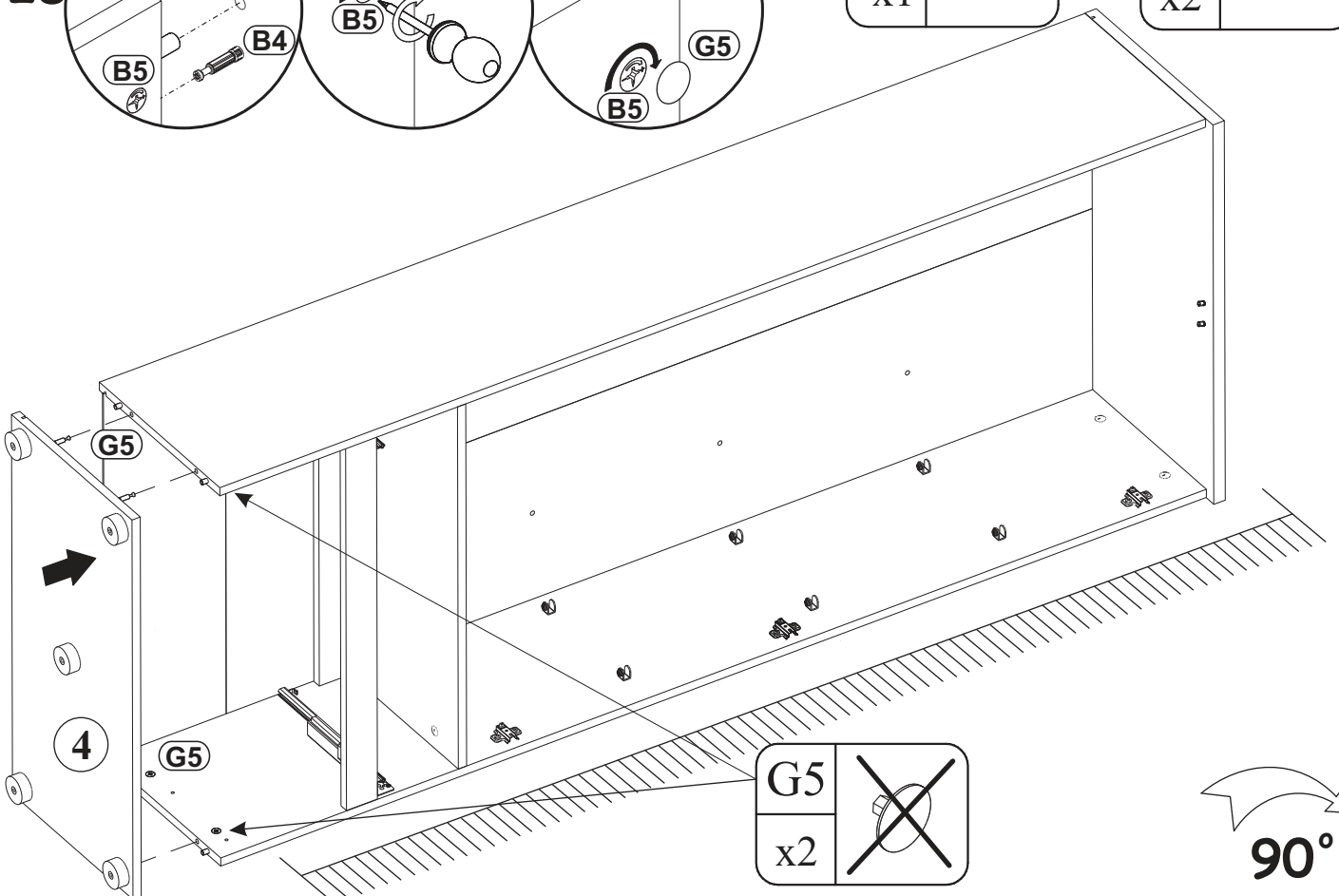
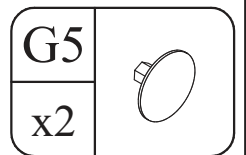
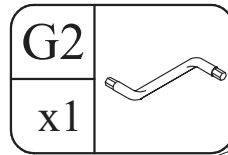
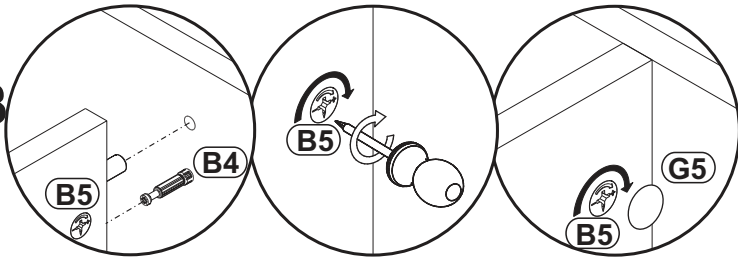
G2		G5	
x1		x4	




27



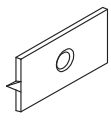
28

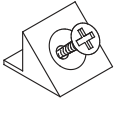


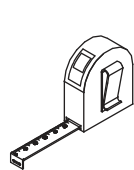
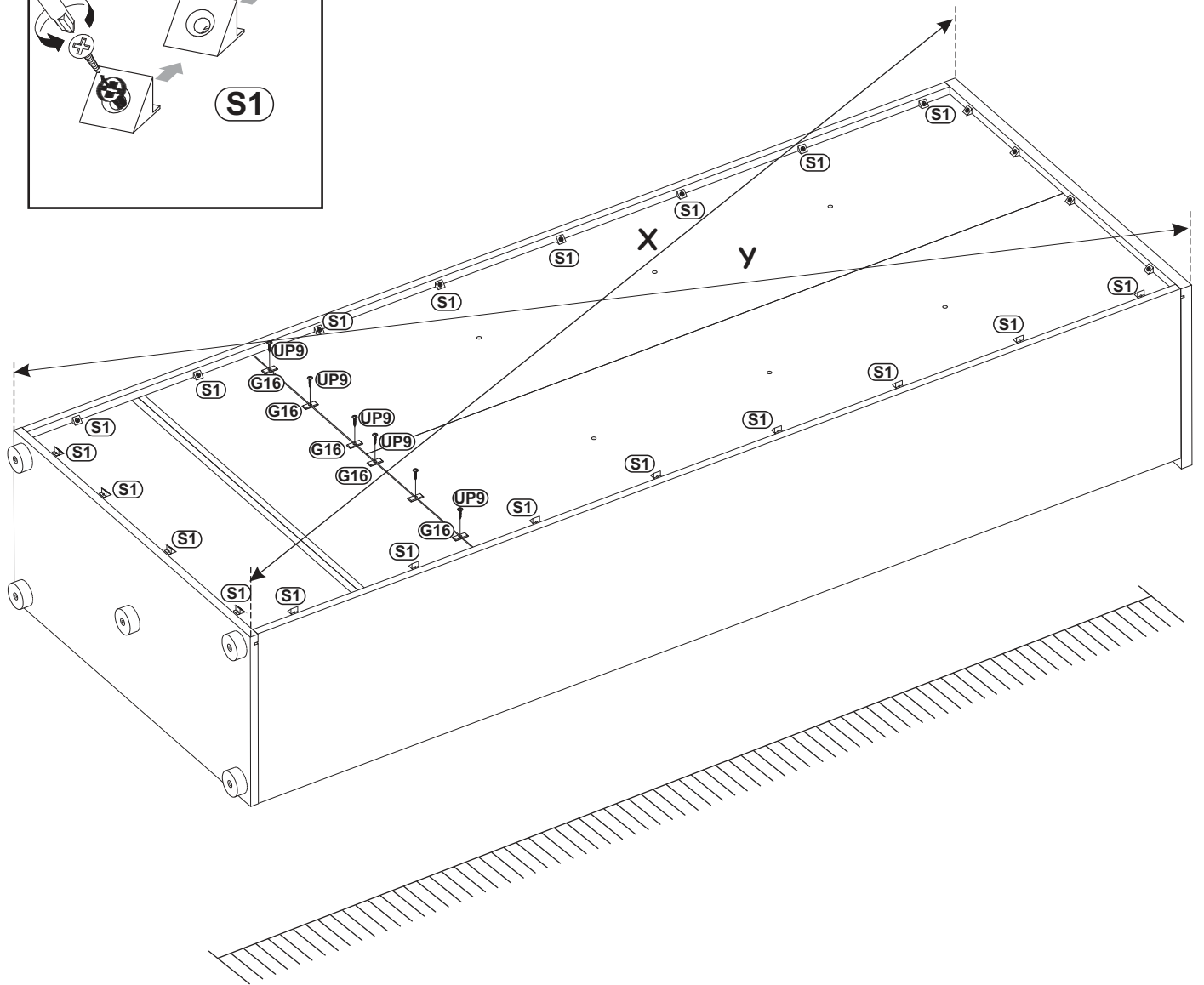
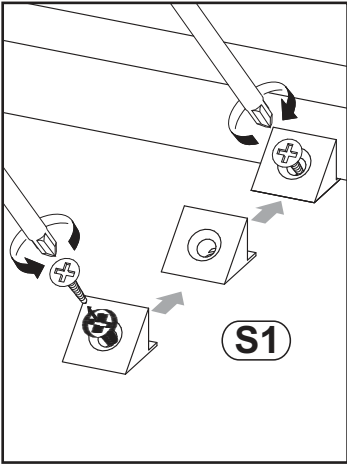
29

UP9	
x6	

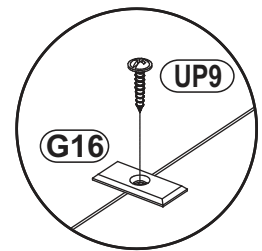
UPØ3,5x16

G16	
x6	

S1	
x24	



$X=Y$ 90°



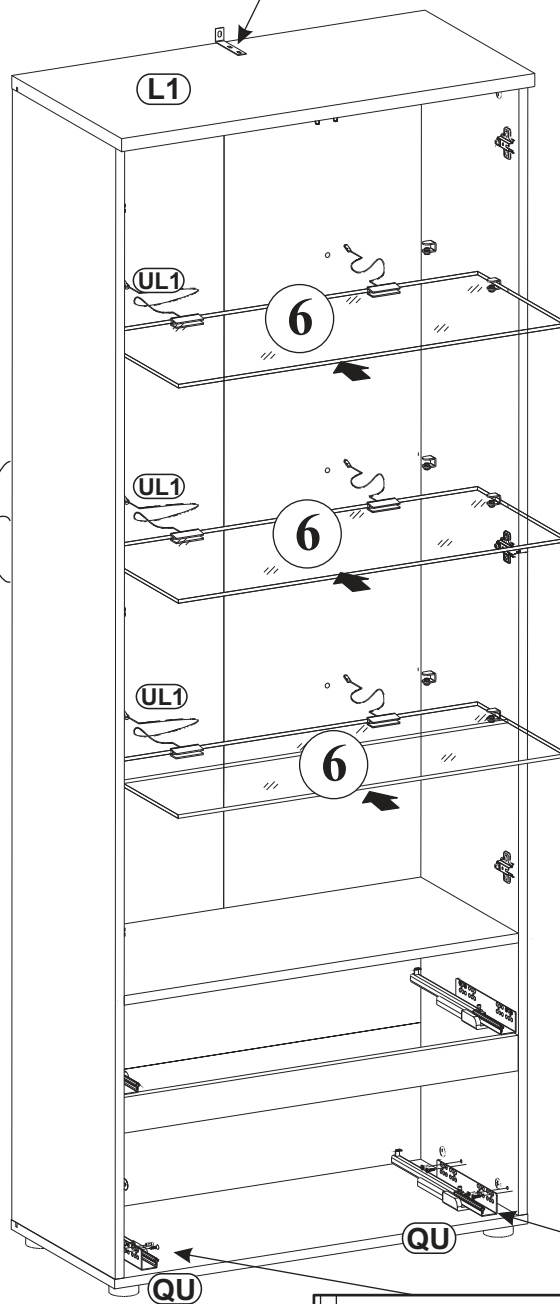
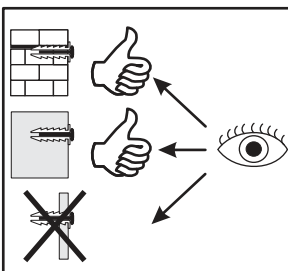
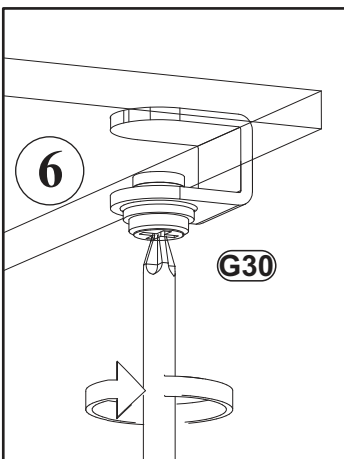
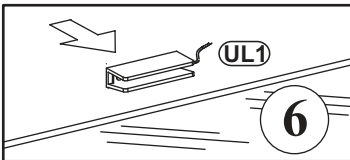
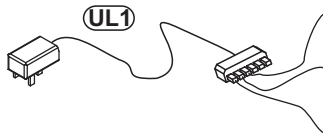
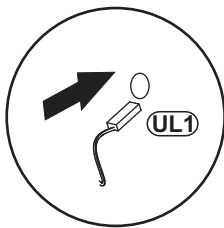
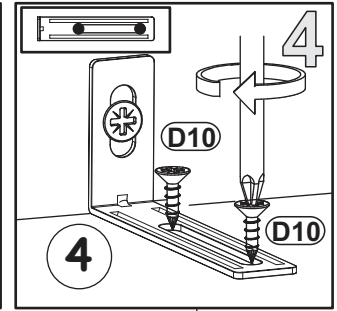
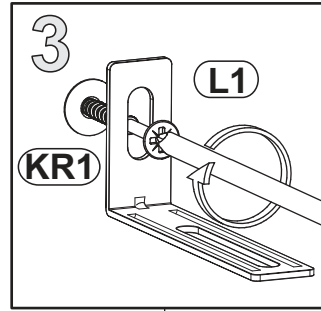
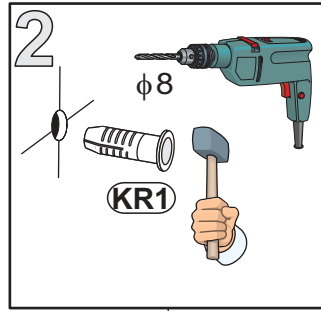
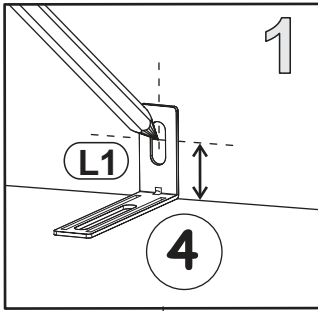
30

UL1	
x1	1x6

D10	
x6	USØ3,5x13

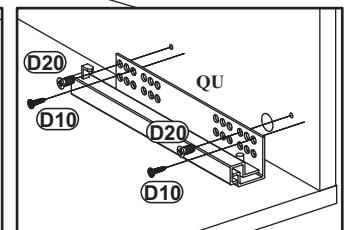
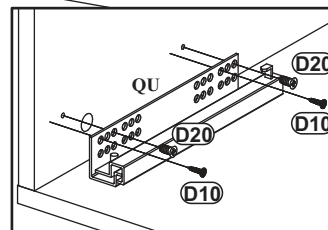
L1	
x1	

KR1	
x1	

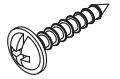


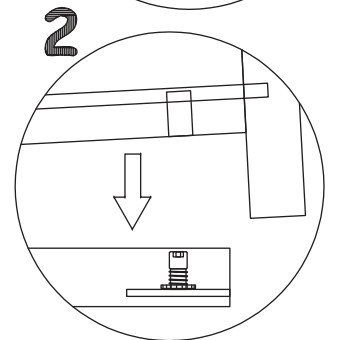
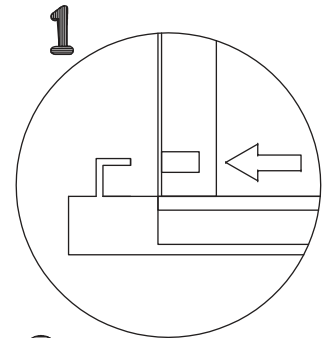
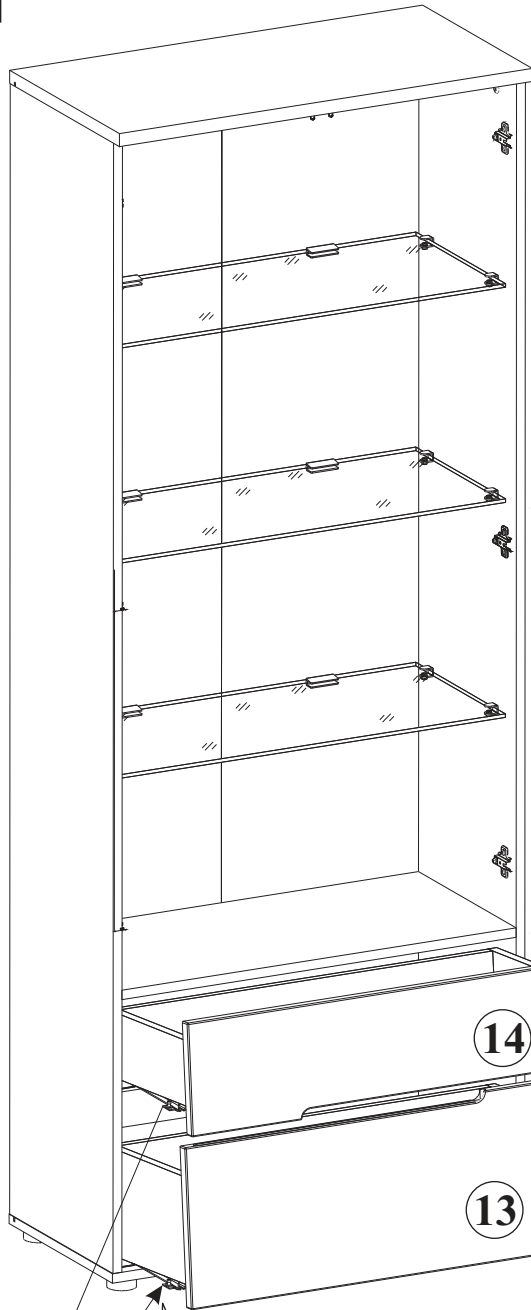
QU	
x1	L-300

D20	
x4	ESØ6,3x9,5

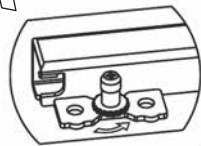


31

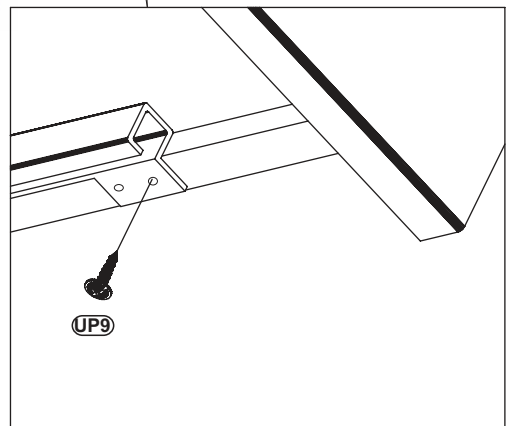
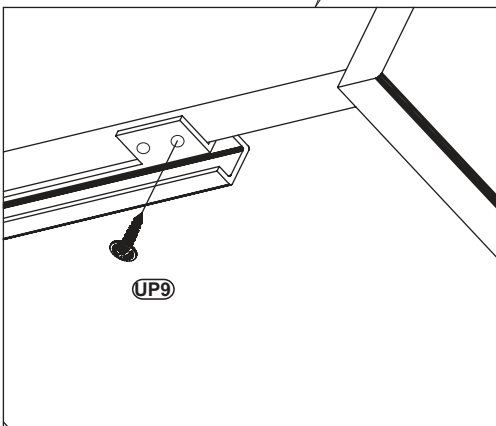
UP9	 UPØ3,5x16
x4	



2
1



↑+4 mm



32

