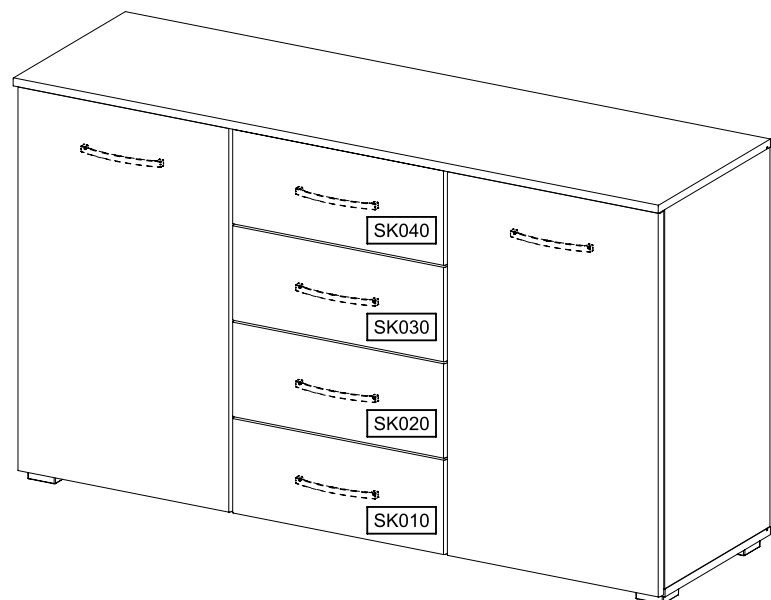
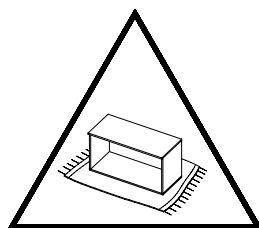
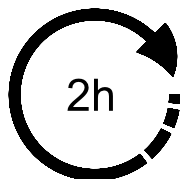
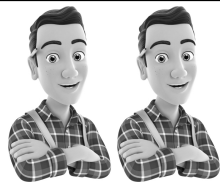
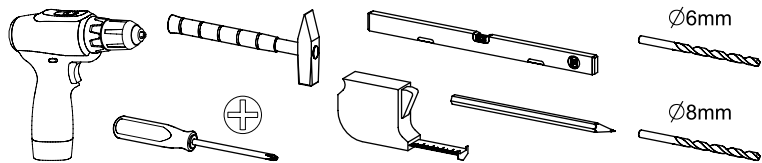
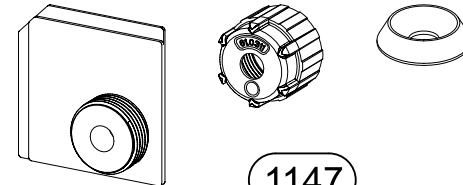


M2613_02

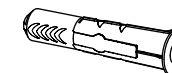
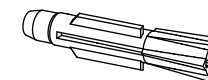
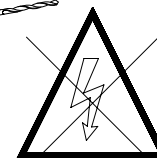
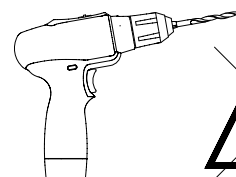
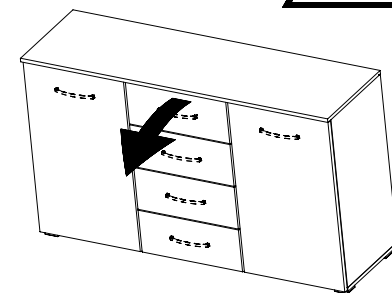
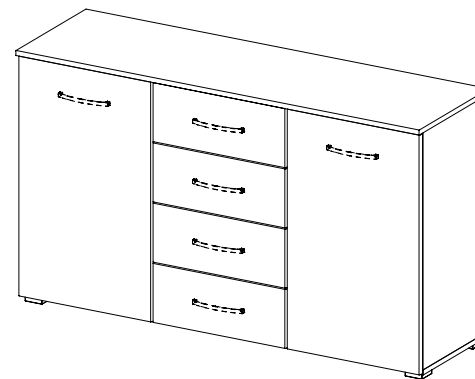
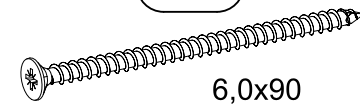
rauch



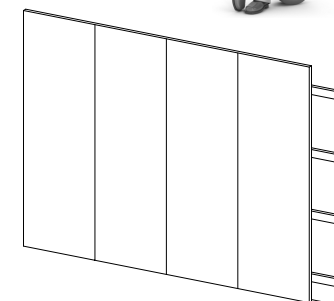
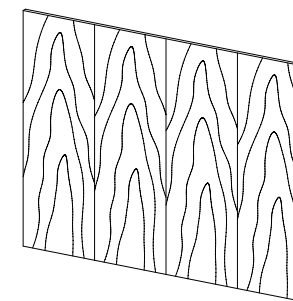
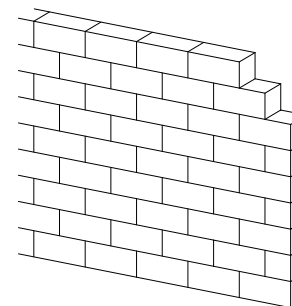
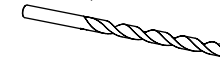
1091 1092 1093

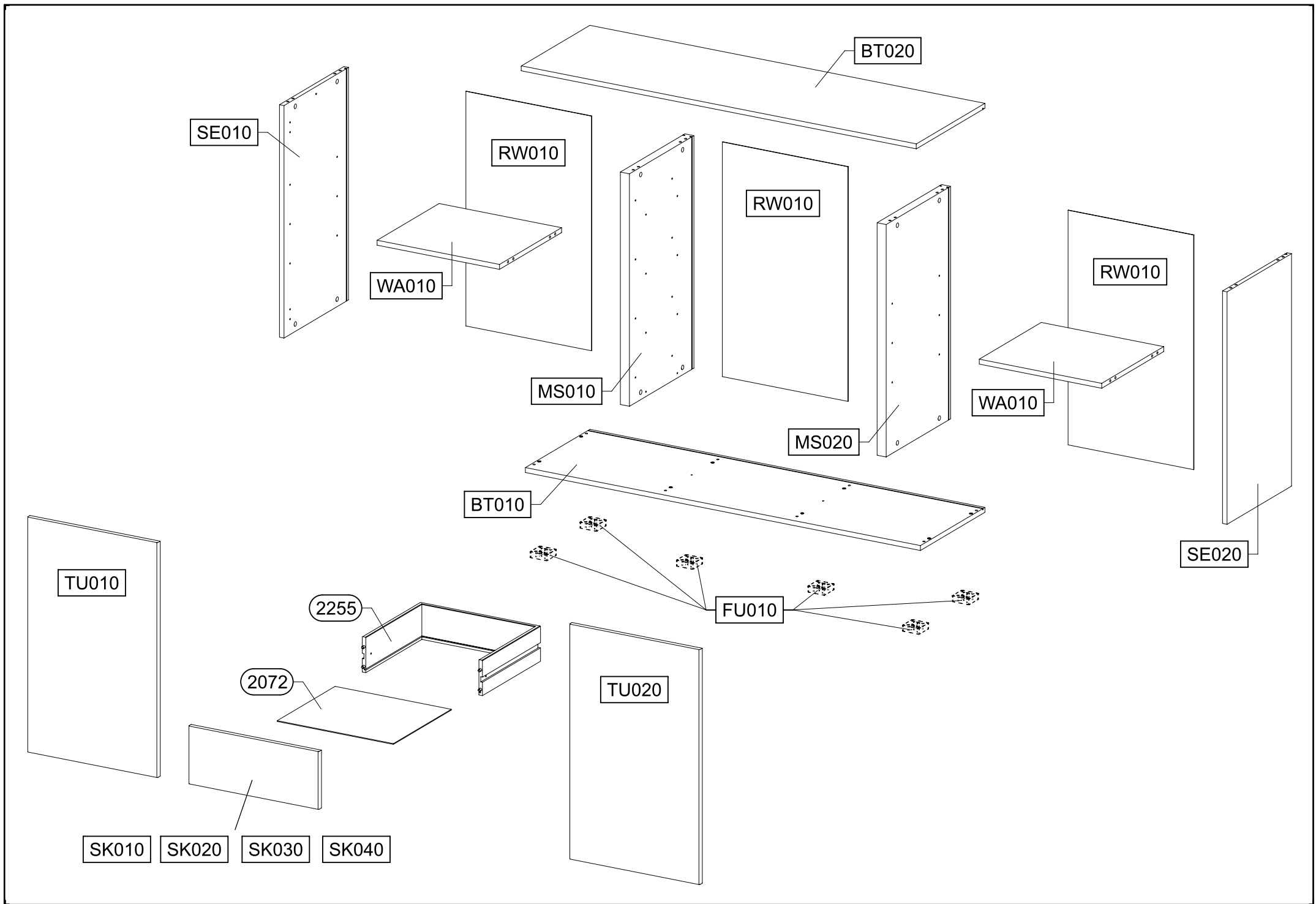


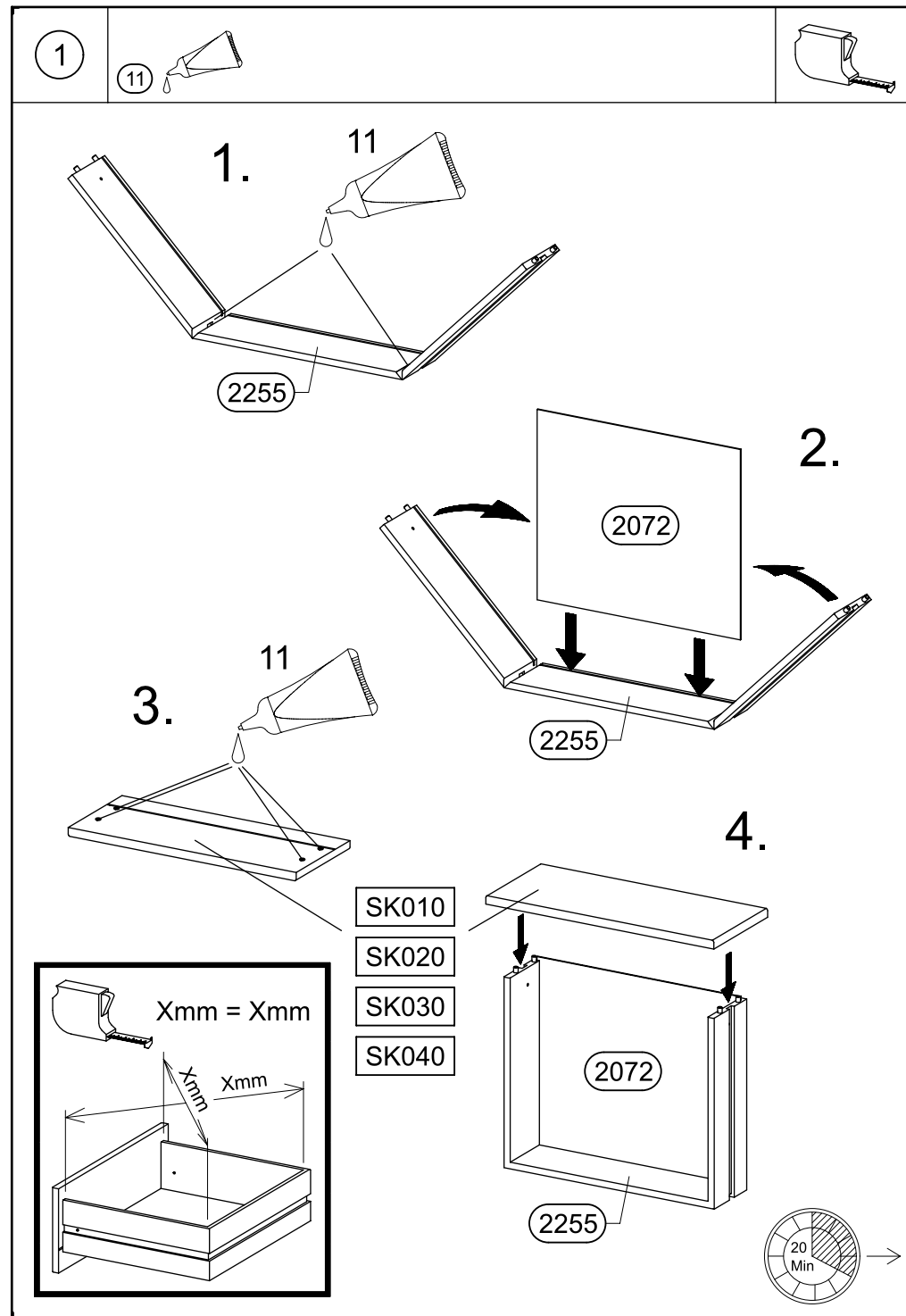
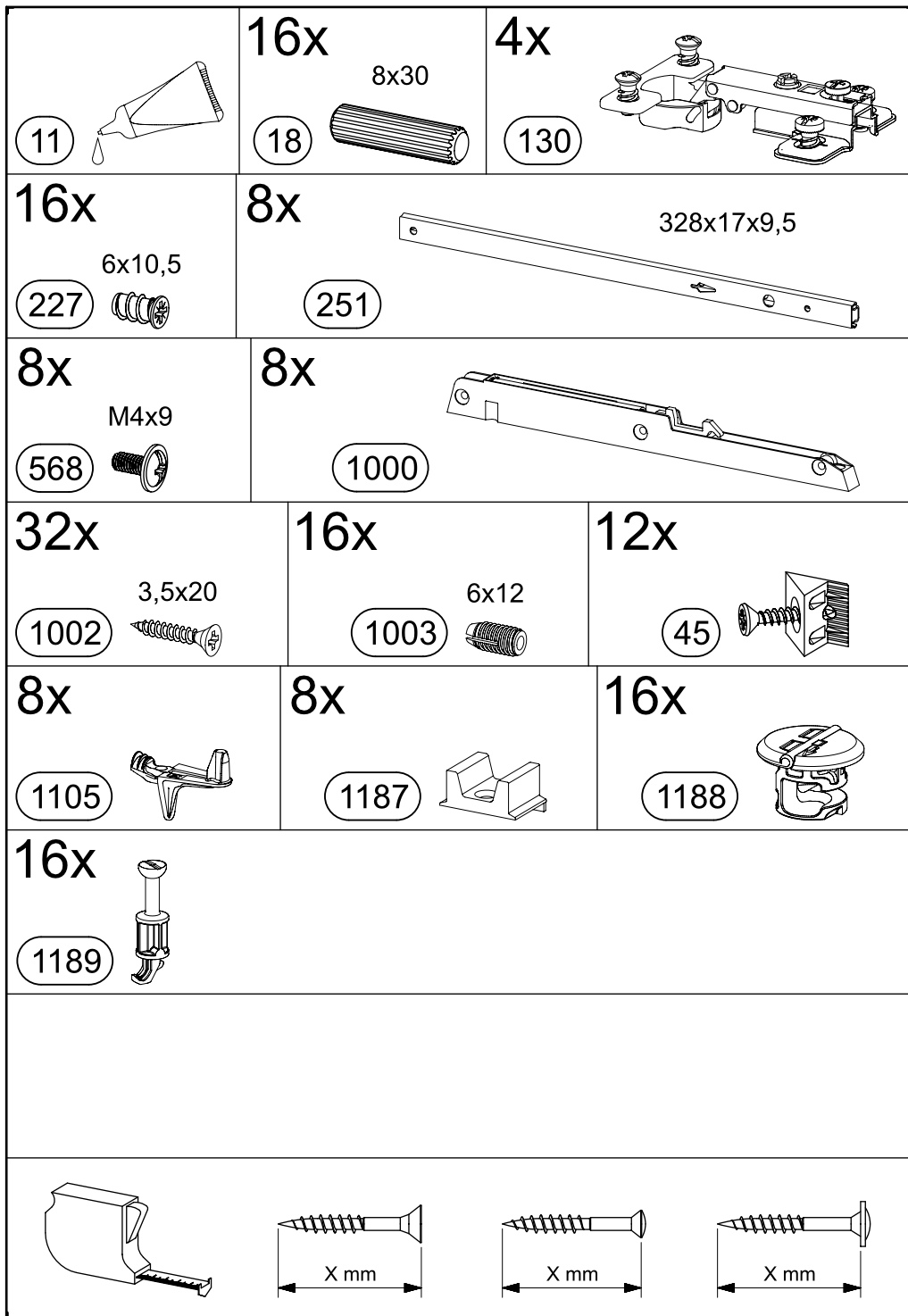
1147

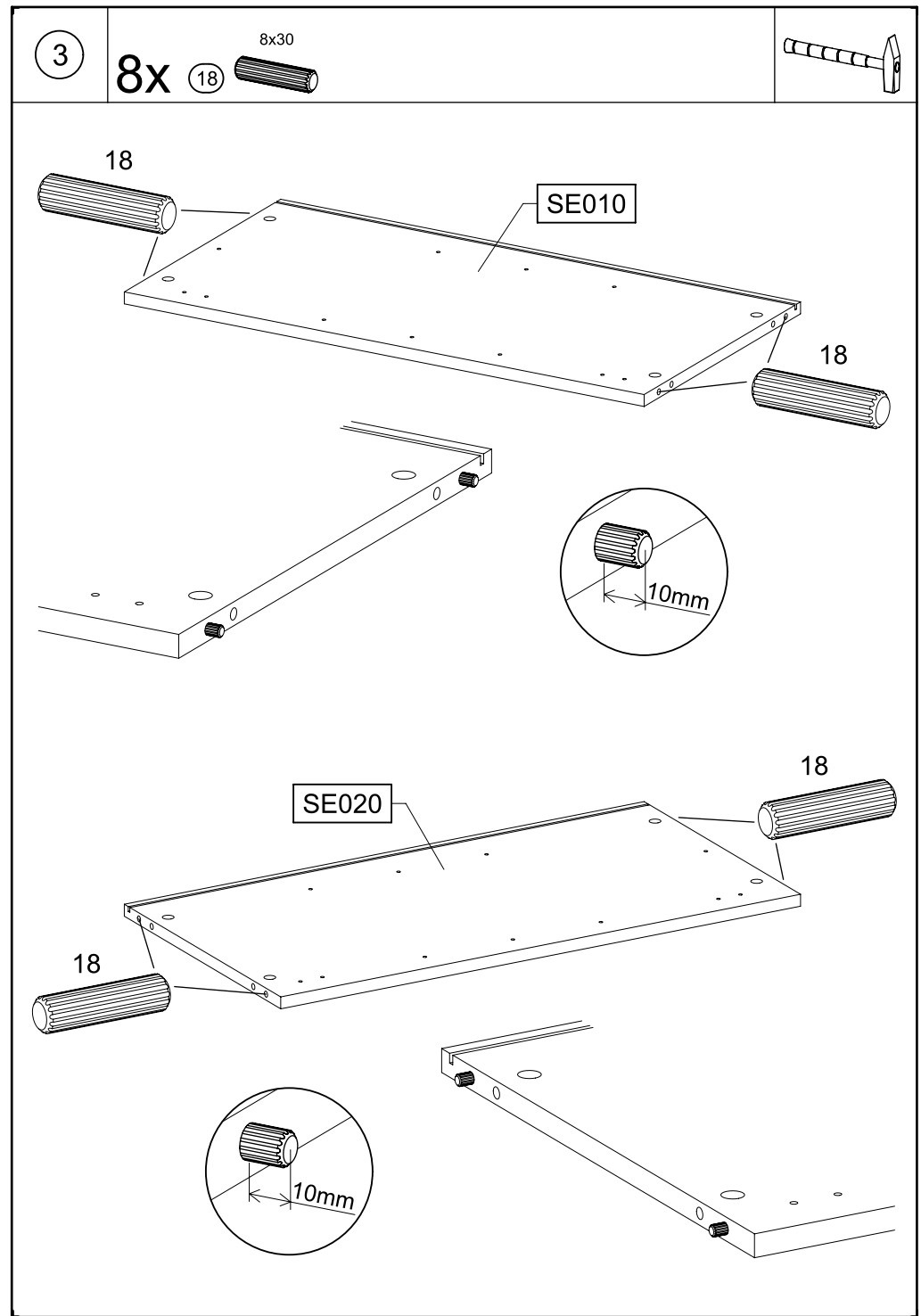
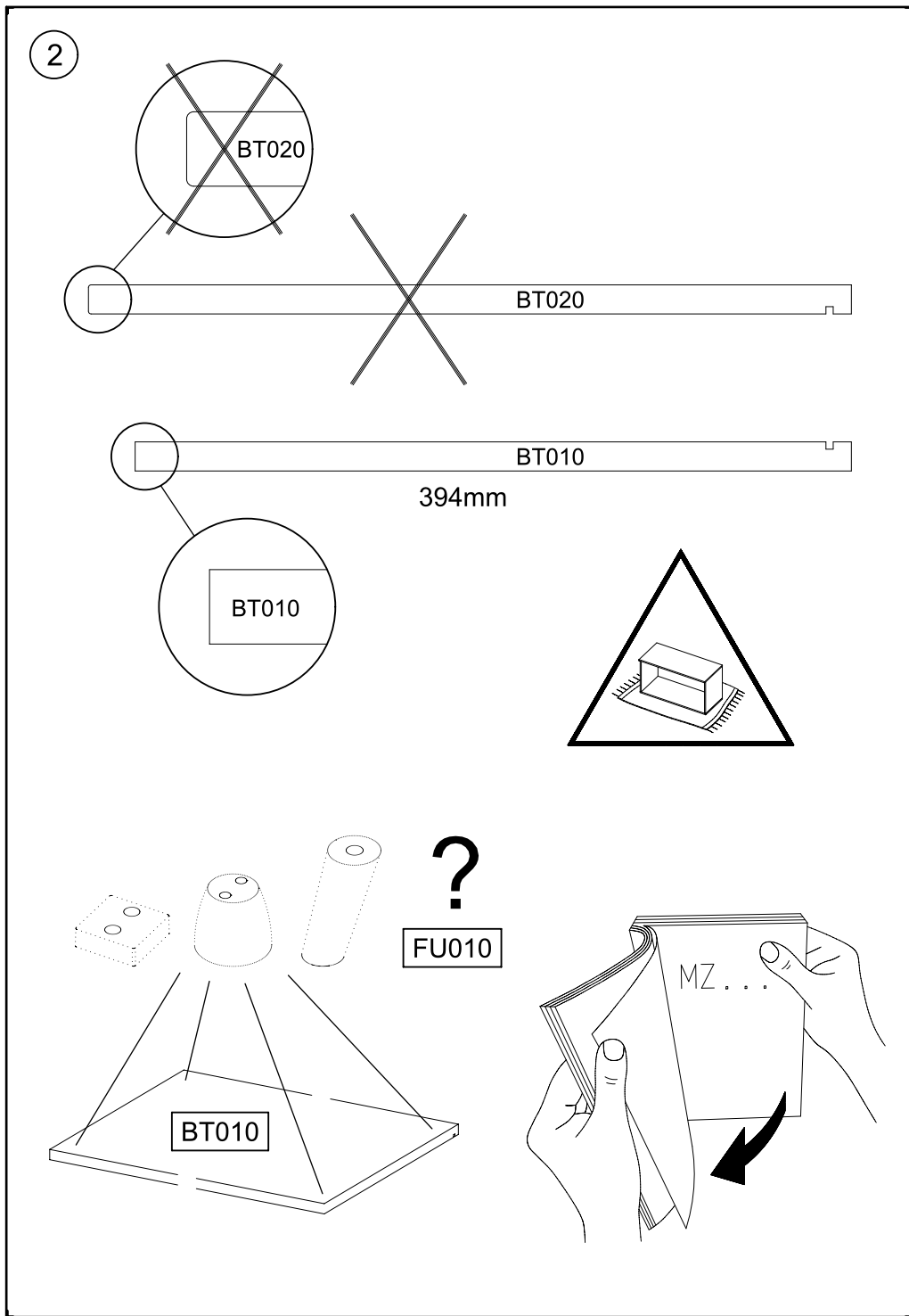


Ø8mm



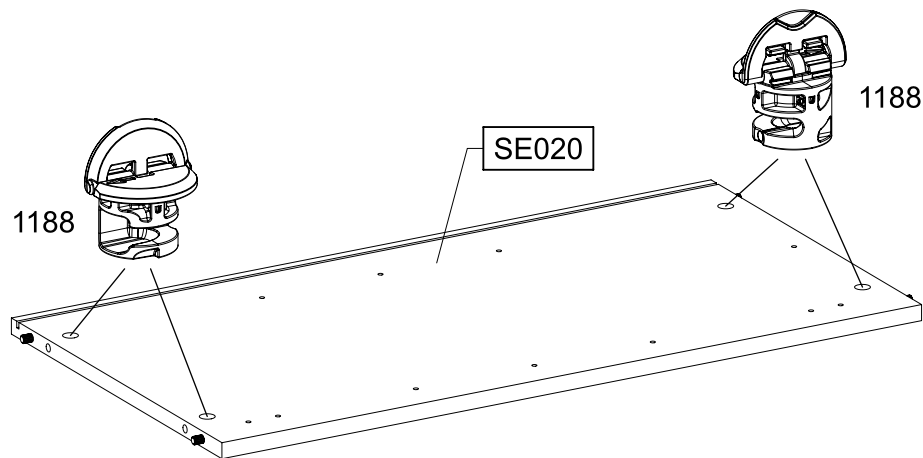
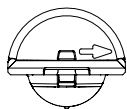
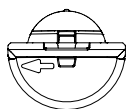
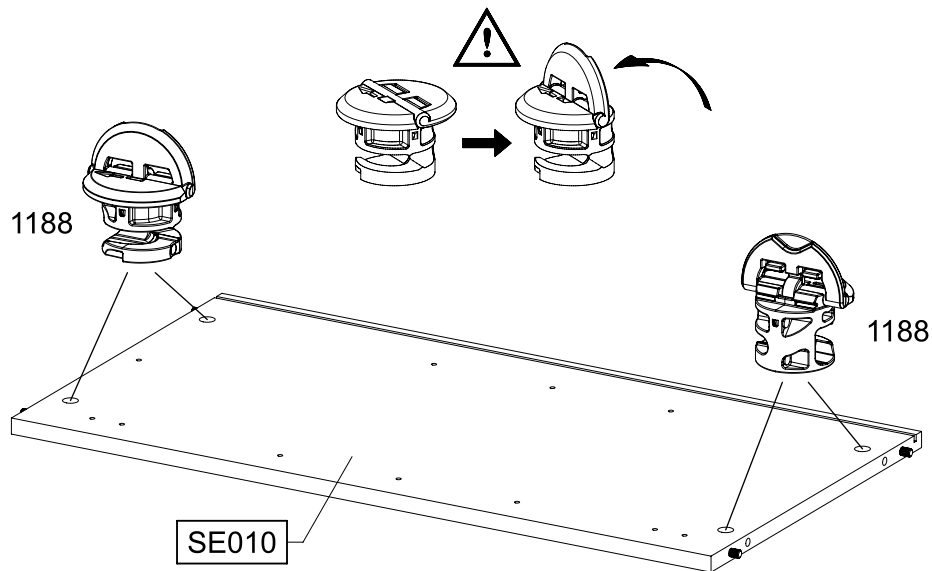






4

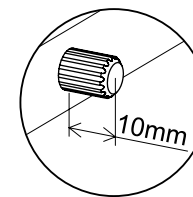
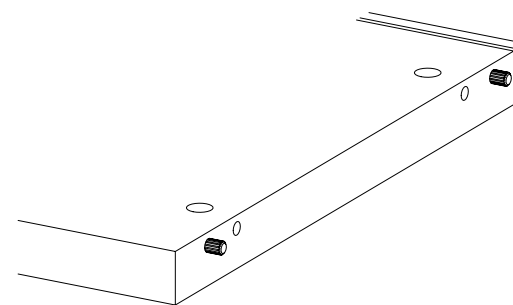
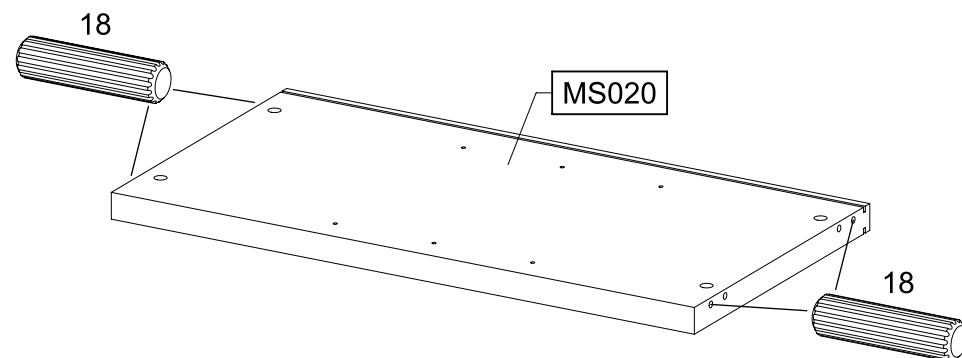
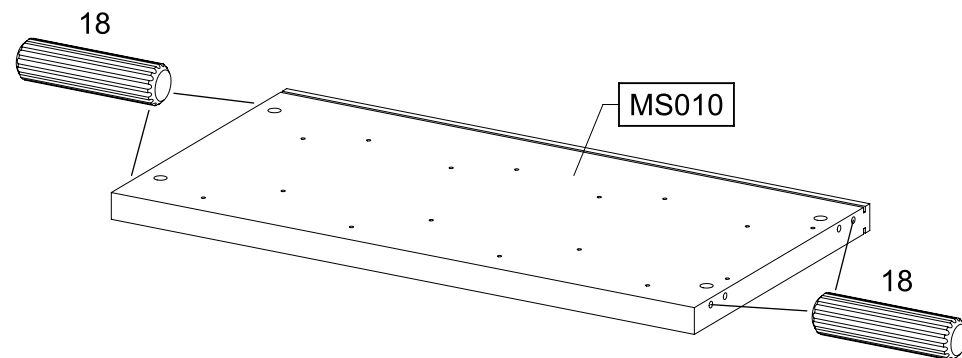
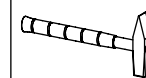
8x 1188

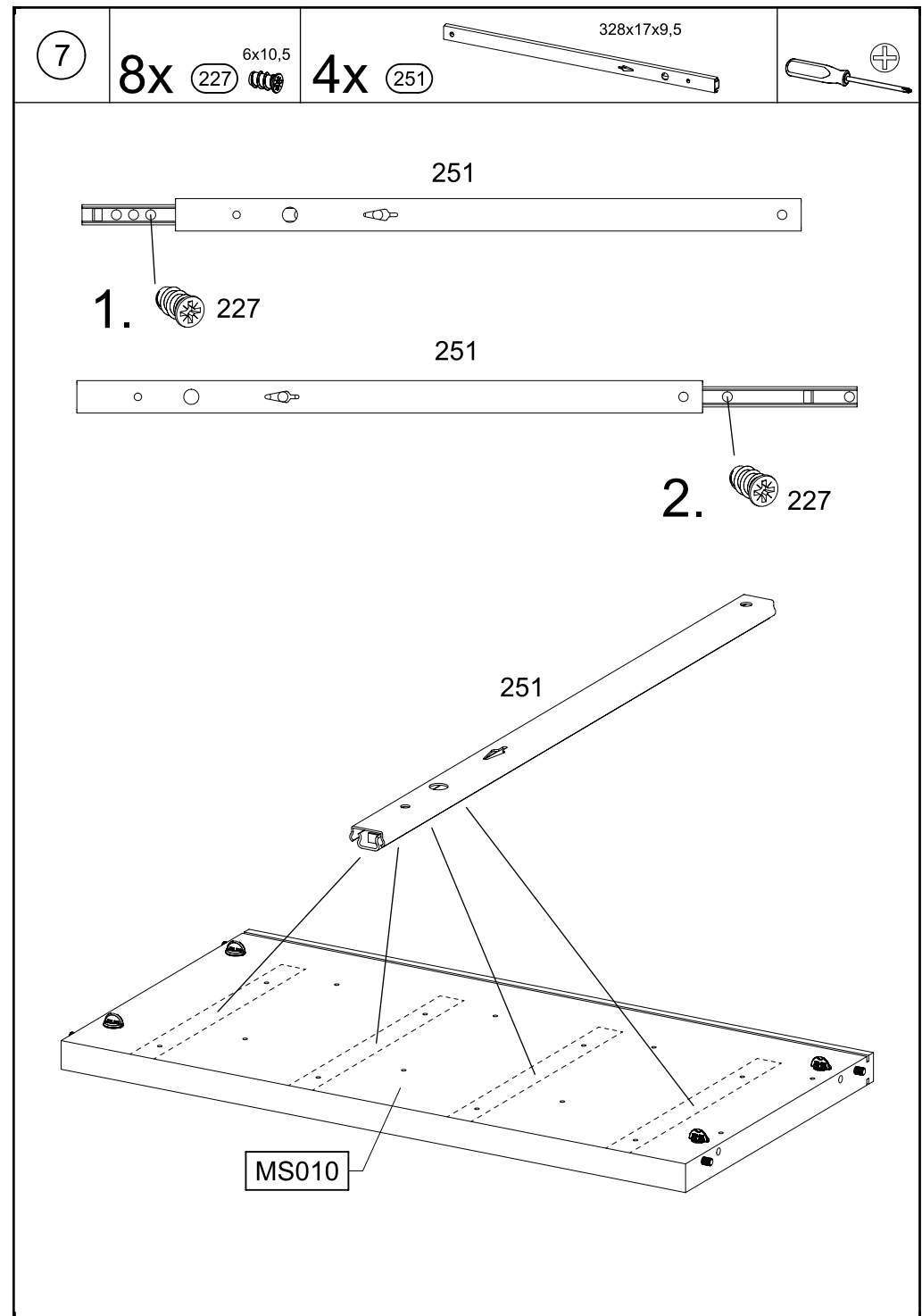
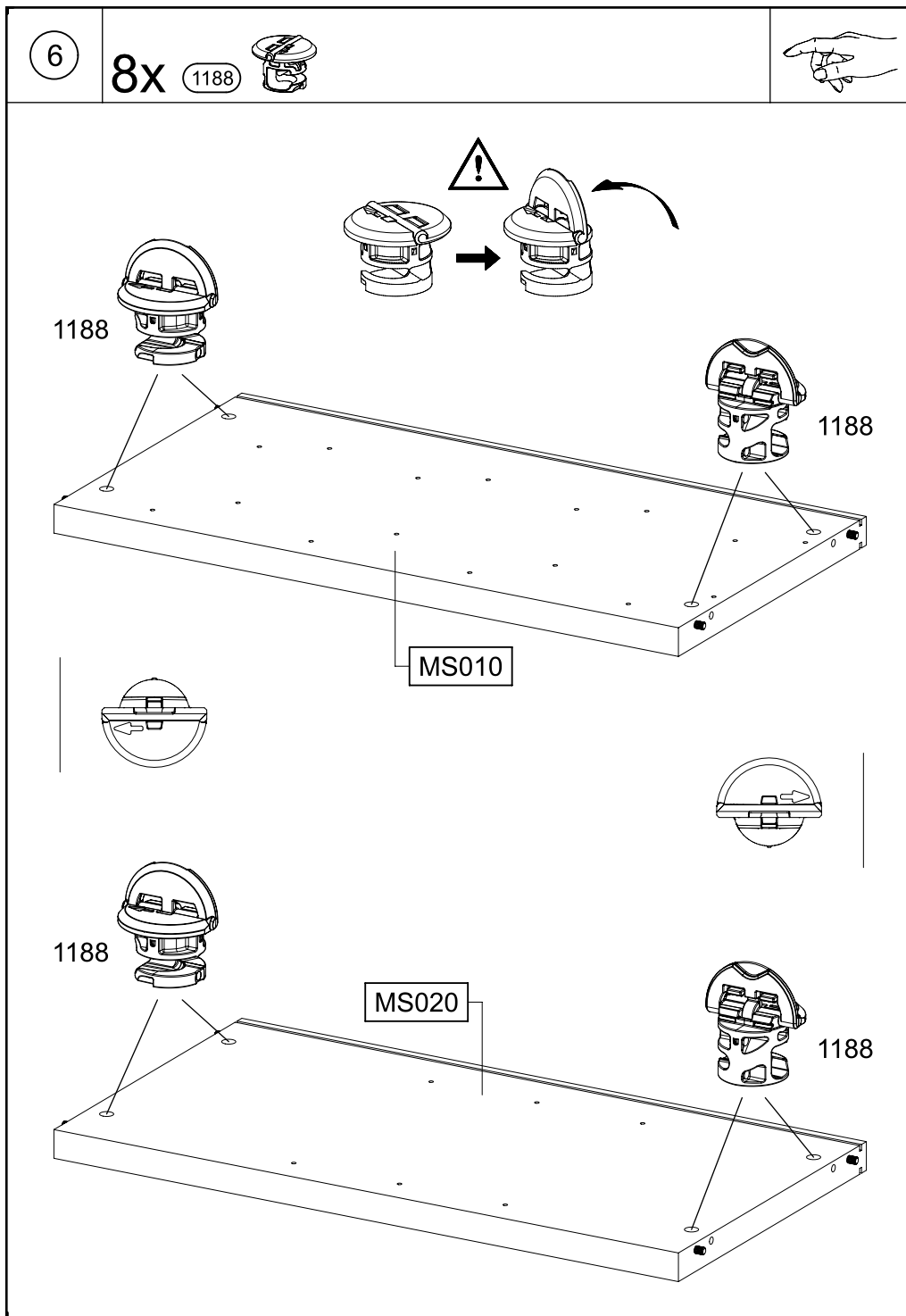


5

8x 18

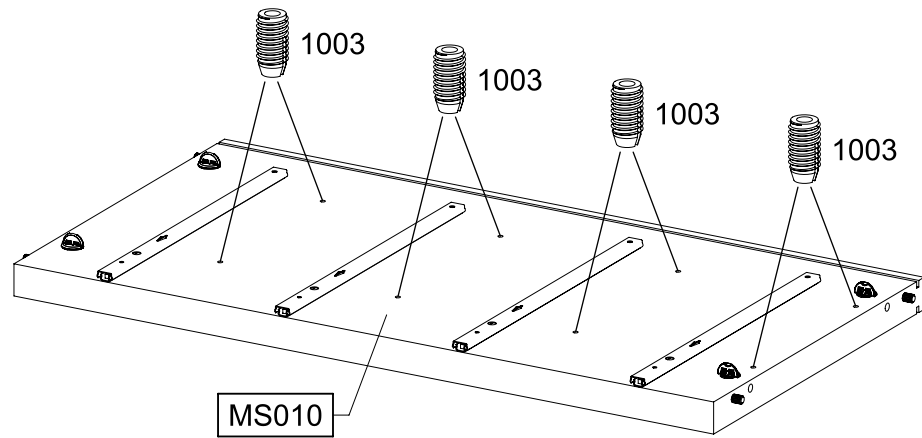
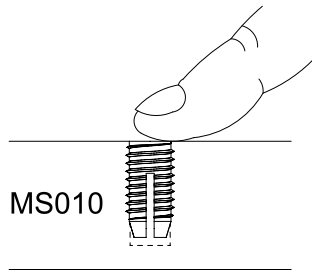
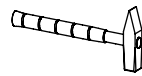
8x30





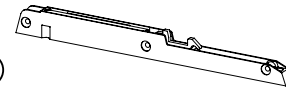
8

8x 1003 6x12

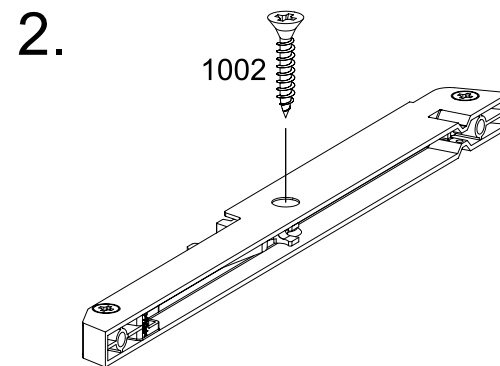
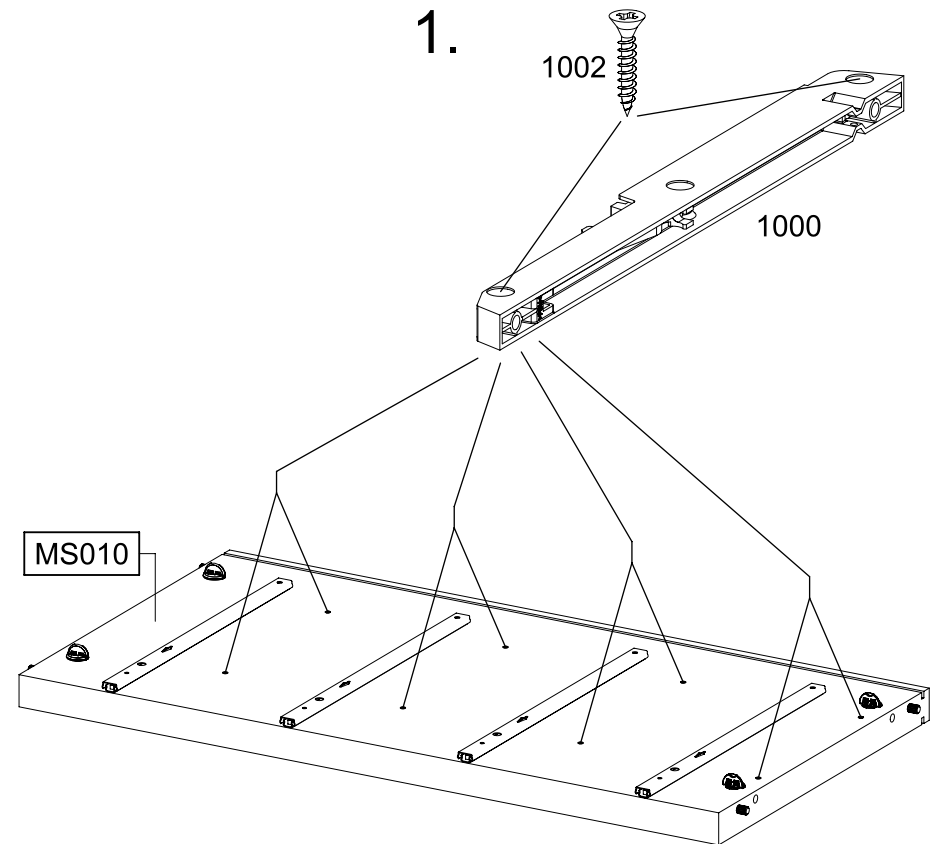
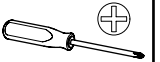


9

4x 1000



12x 1002 3,5x20



10

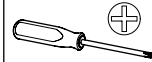
8x

227 6x10,5

4x

251

328x17x9,5



251



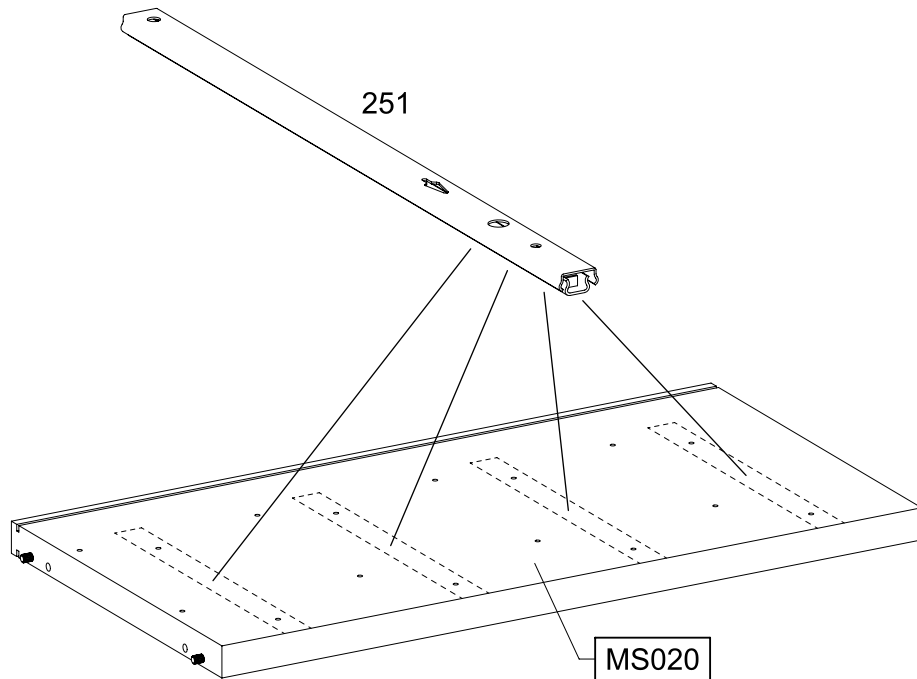
227 1.

251



227 2.

251

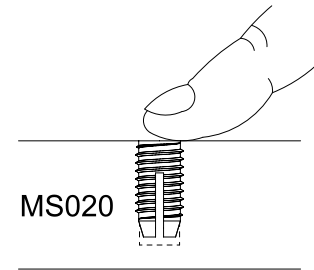
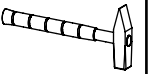


MS020

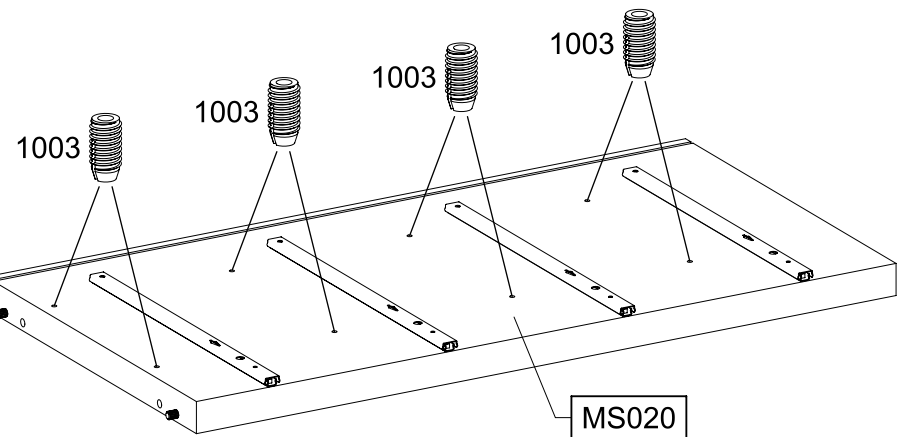
11

8x

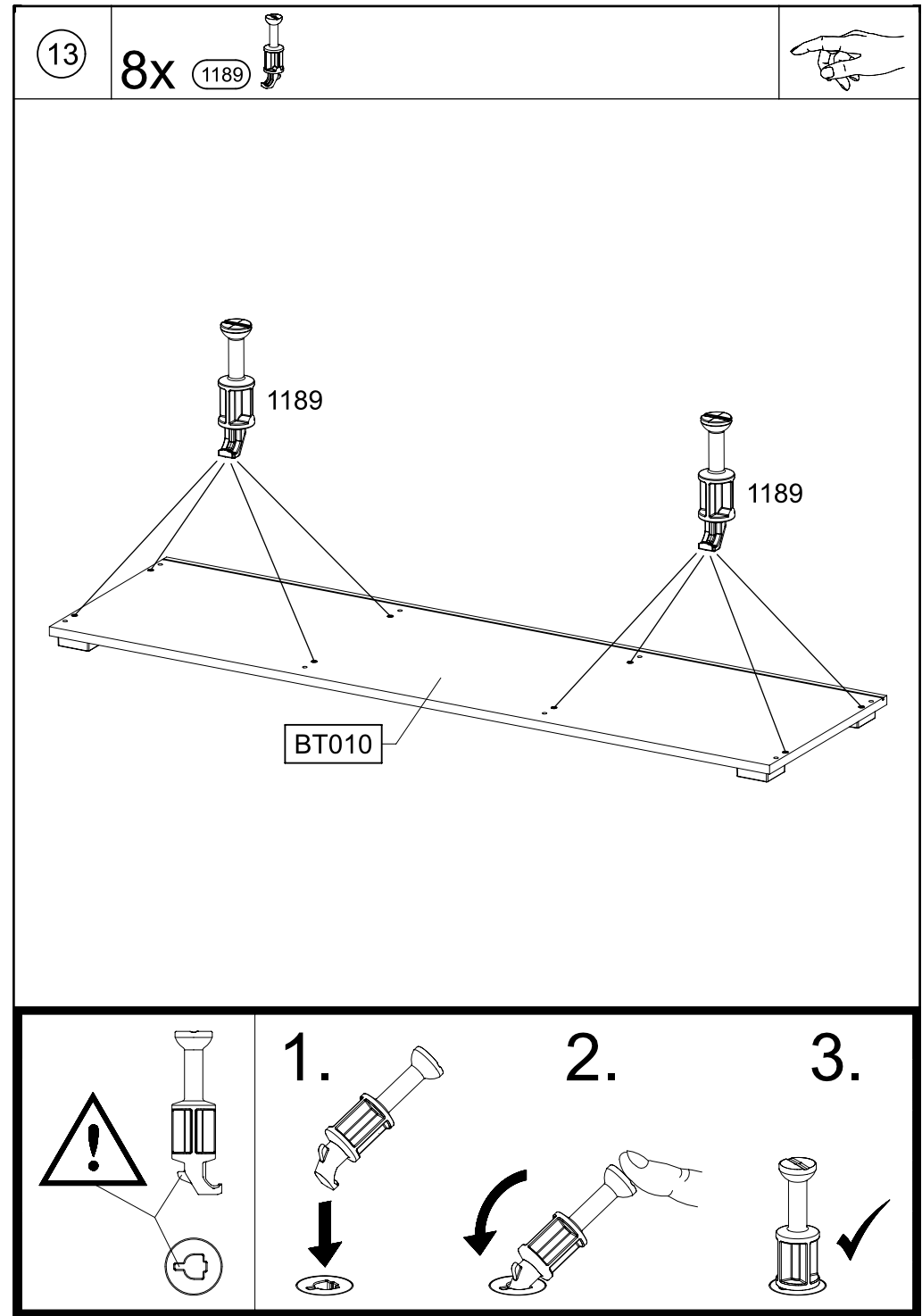
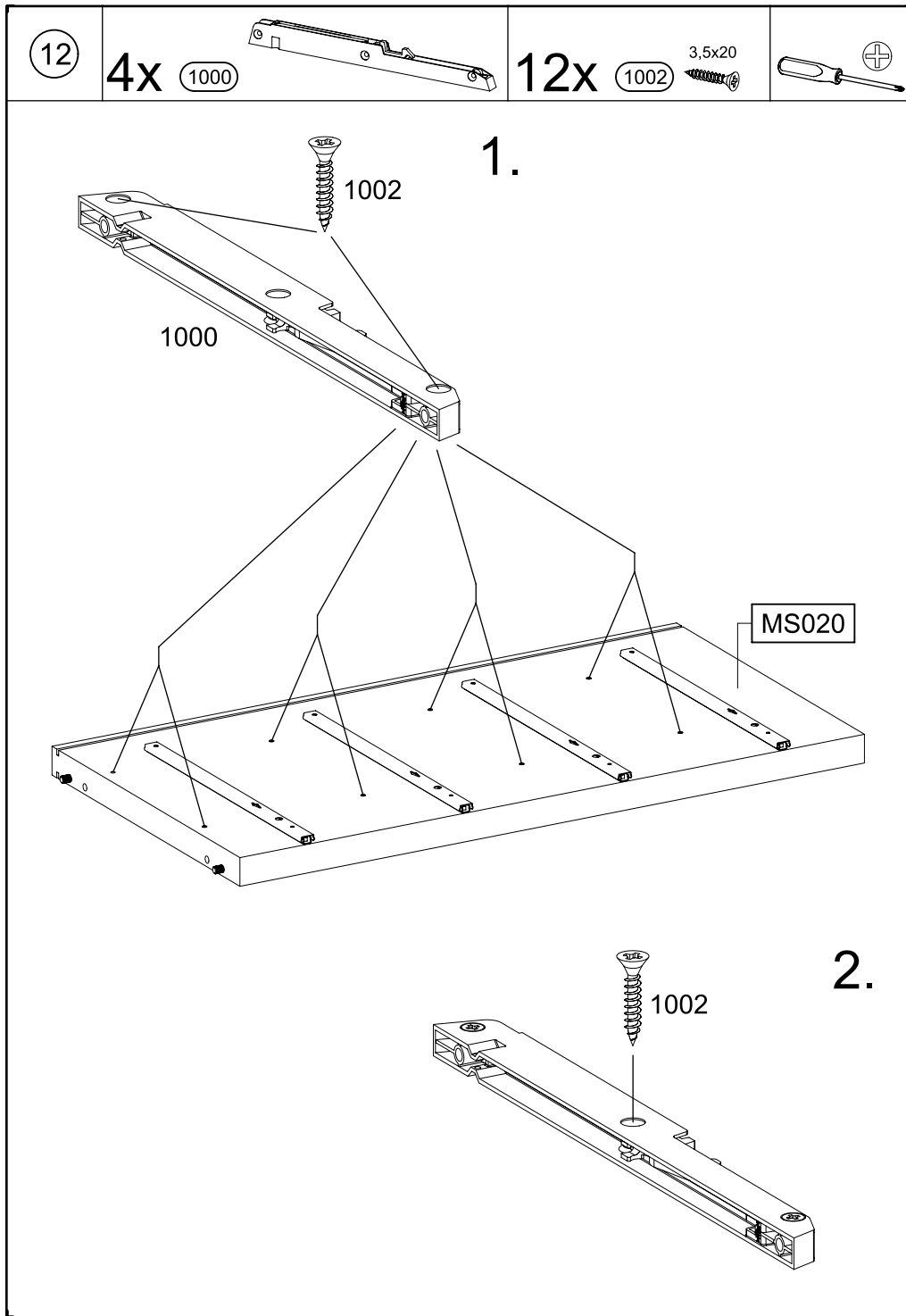
1003 6x12



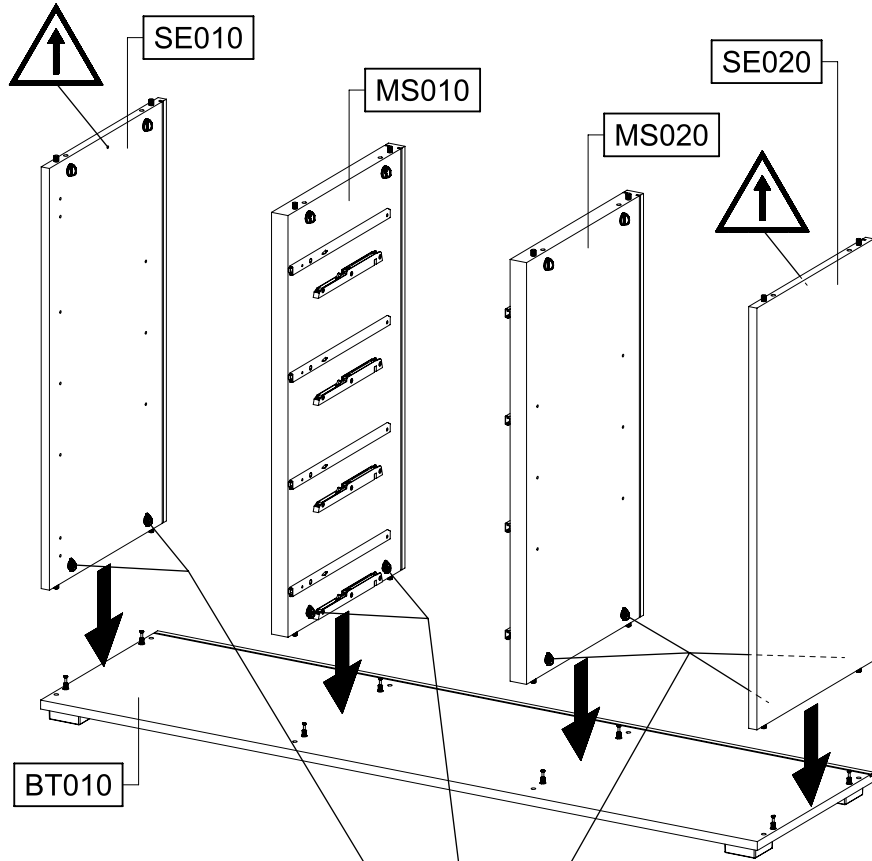
MS020



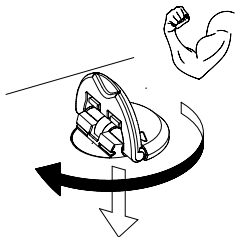
MS020



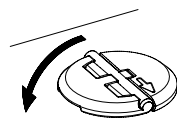
14



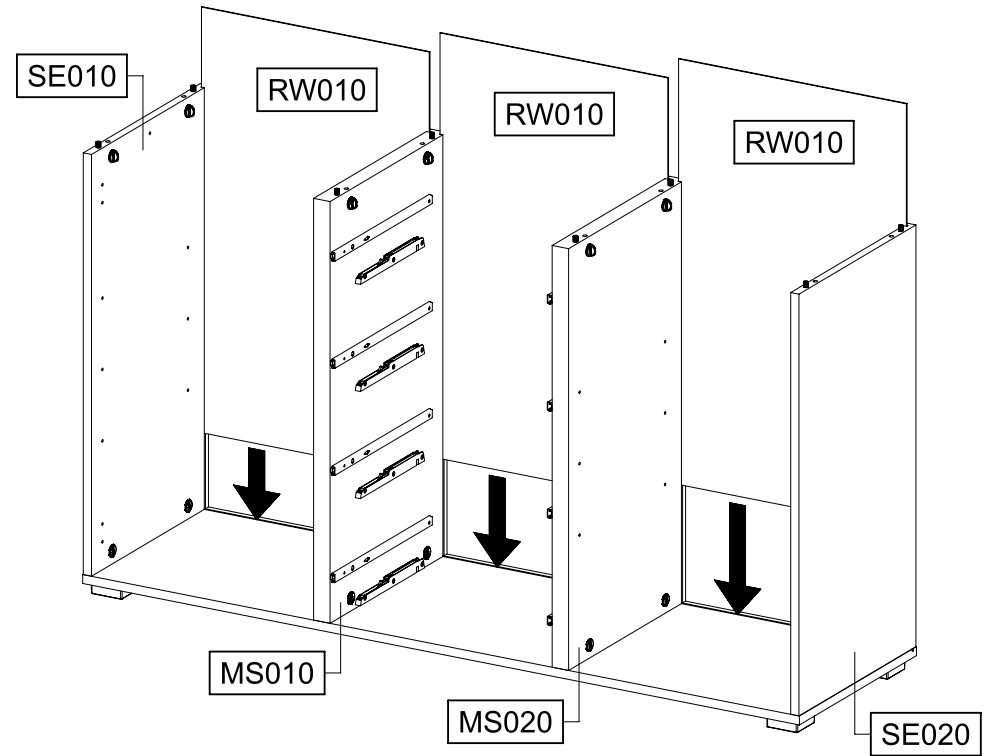
1.



2.

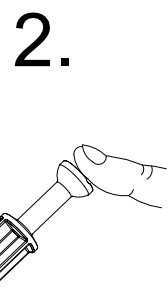
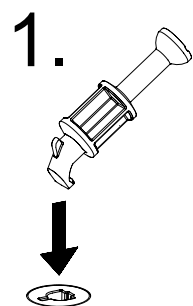
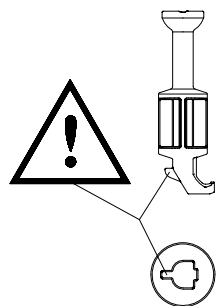
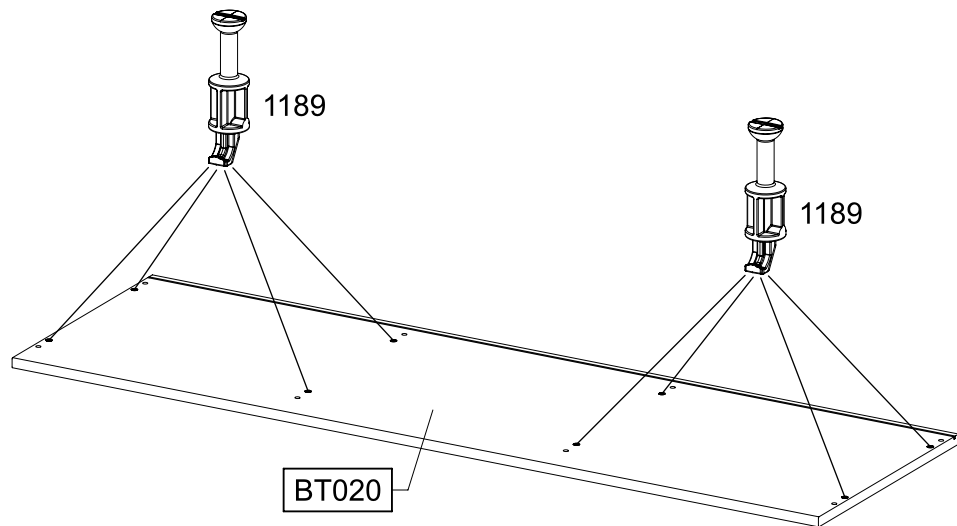


15

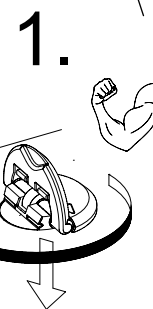
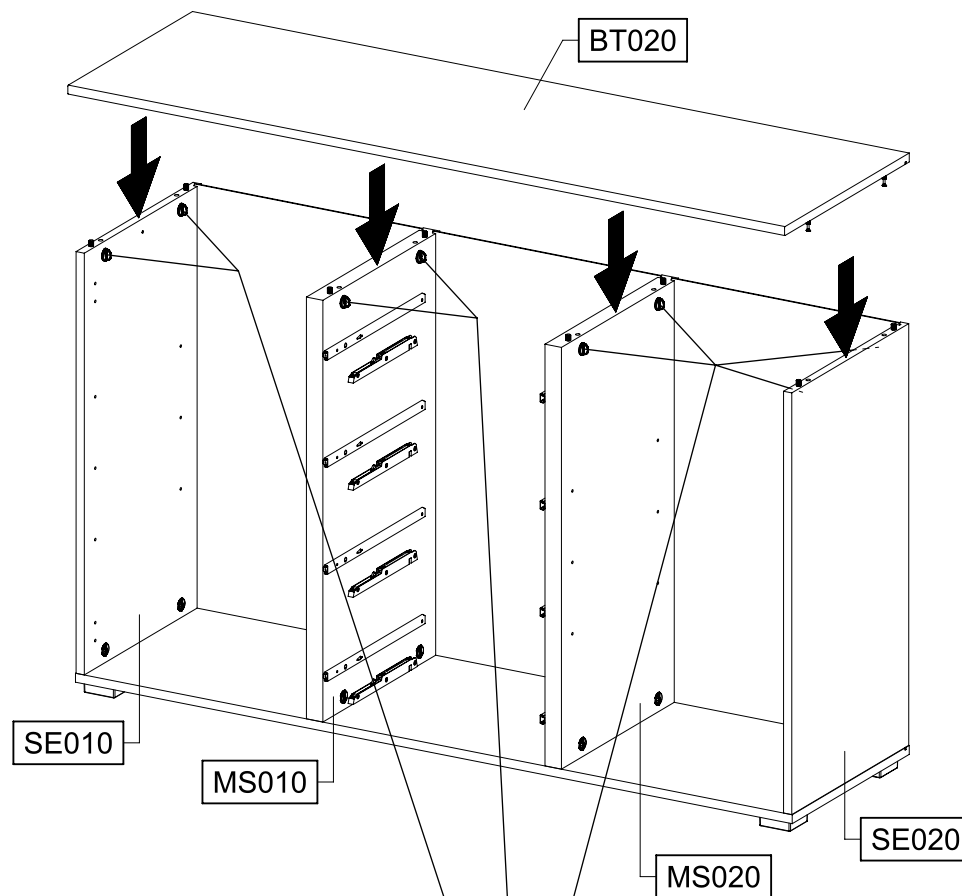


16

8x 1189



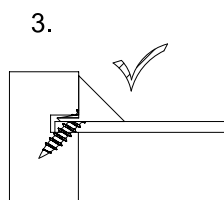
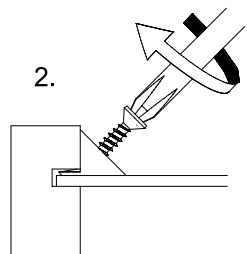
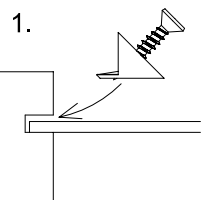
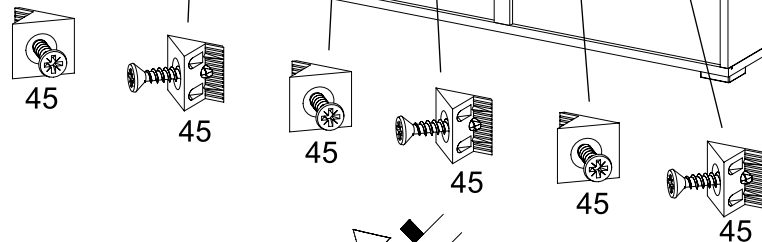
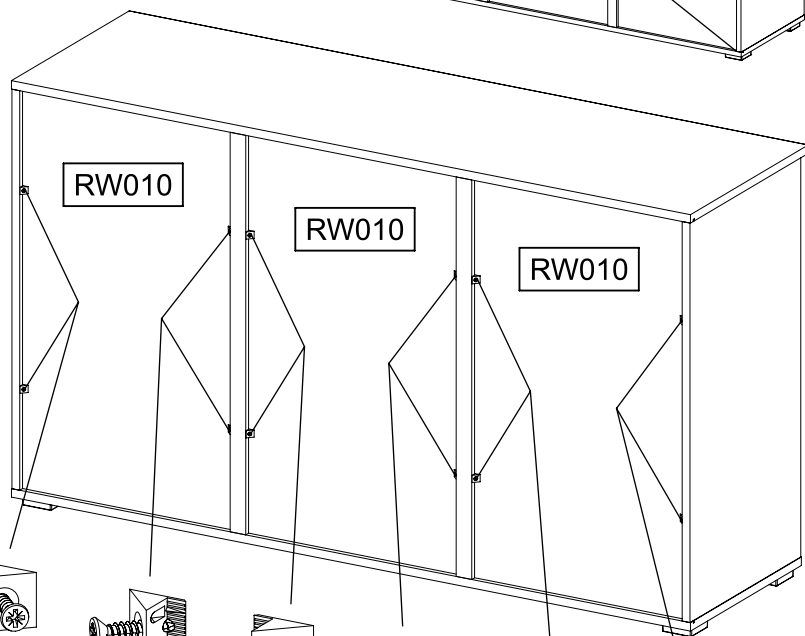
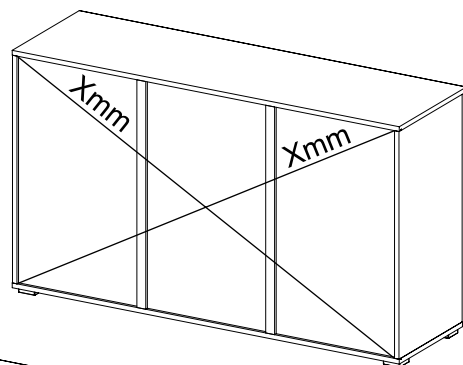
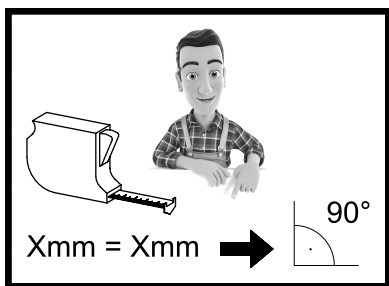
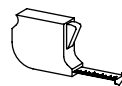
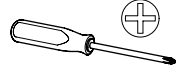
17



18

12x

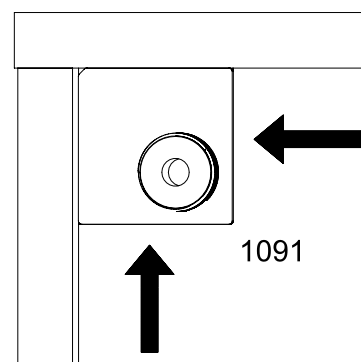
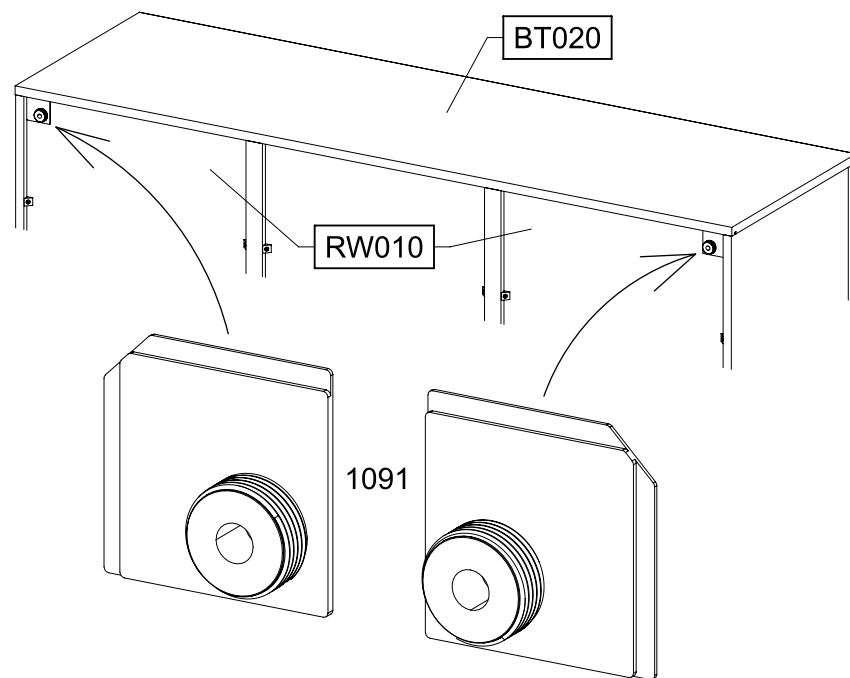
45



19

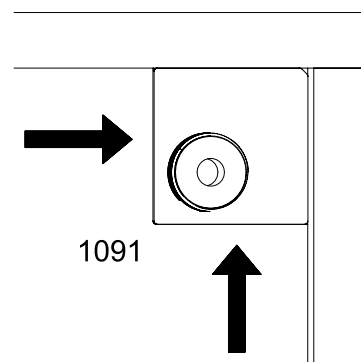
2x

1091



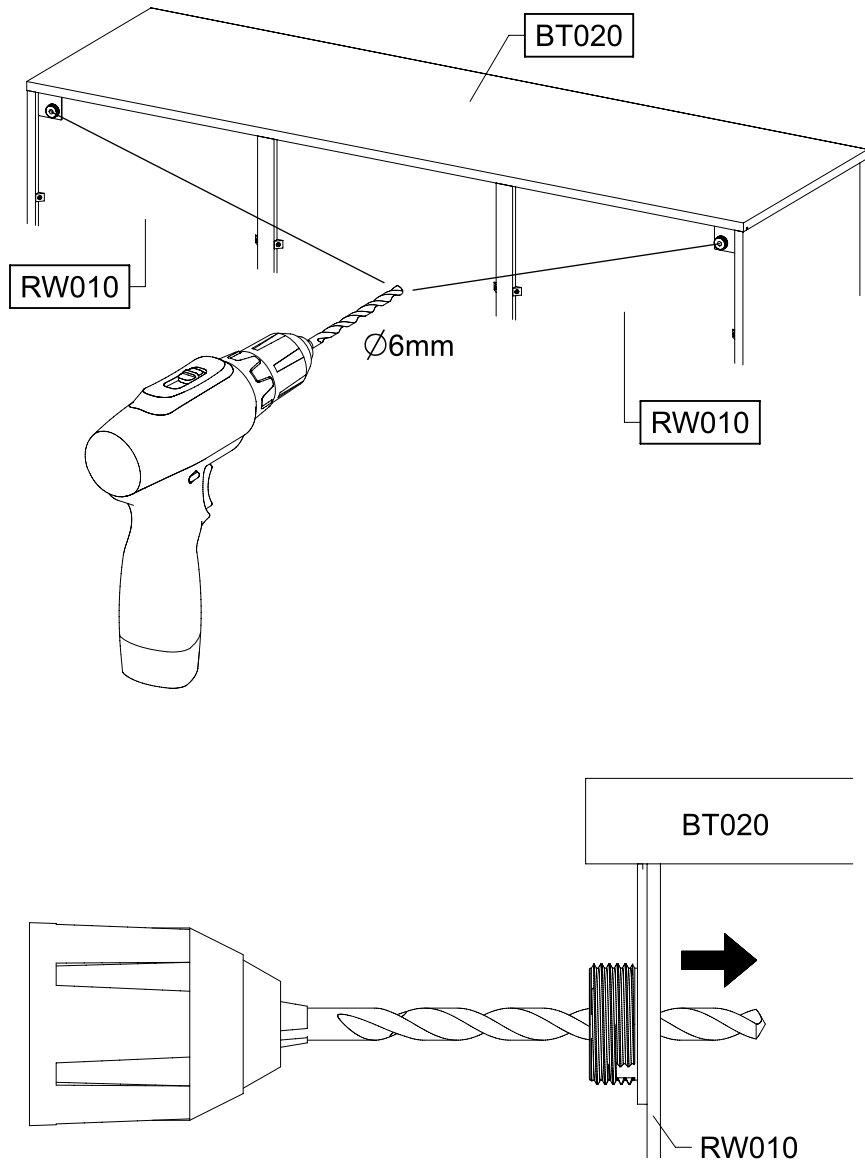
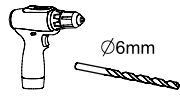
RW010

1091

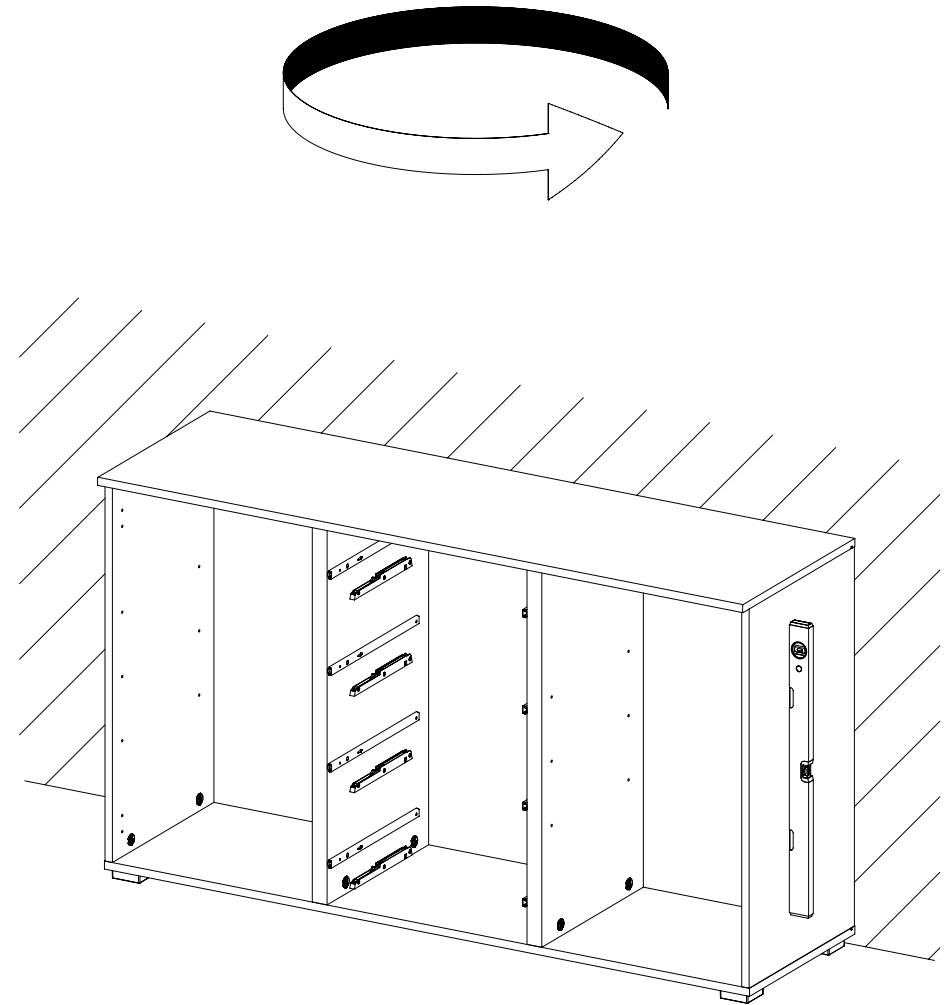
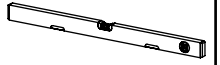


1091

20



21

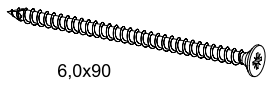


22

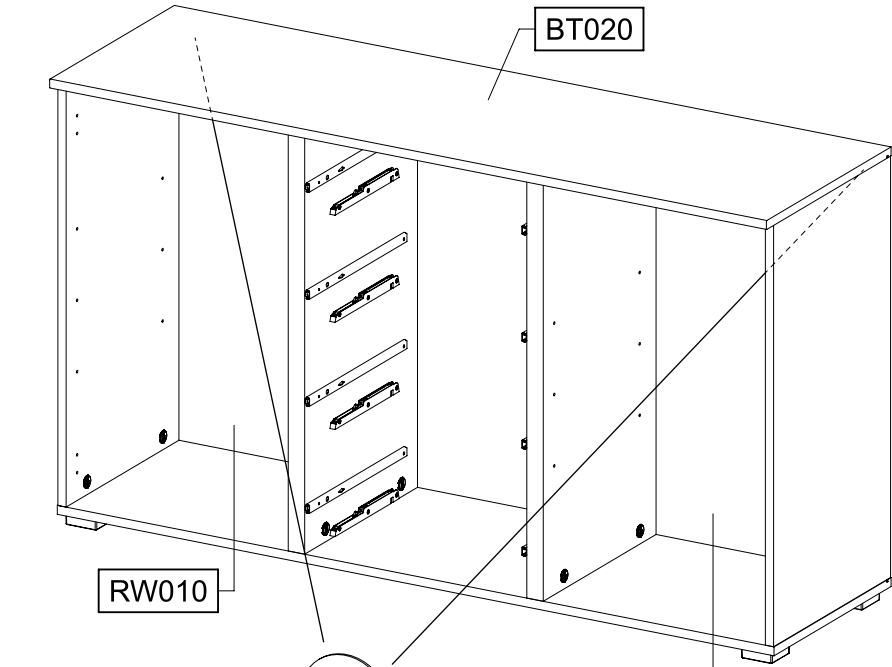
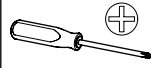
2x 1093



2x 1147



6,0x90



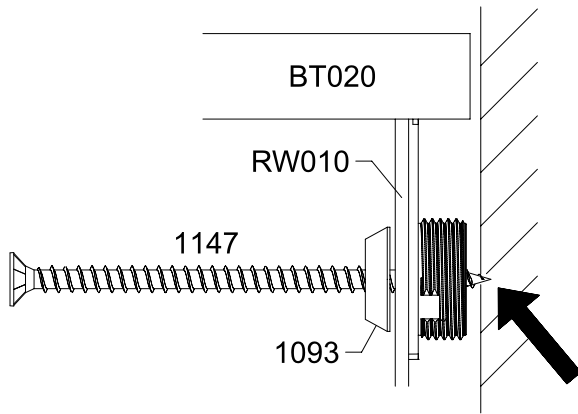
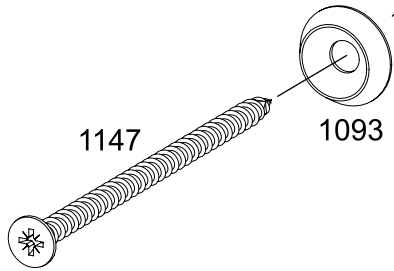
BT020

RW010

RW010

1147

1093



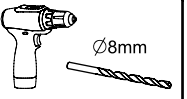
BT020

RW010

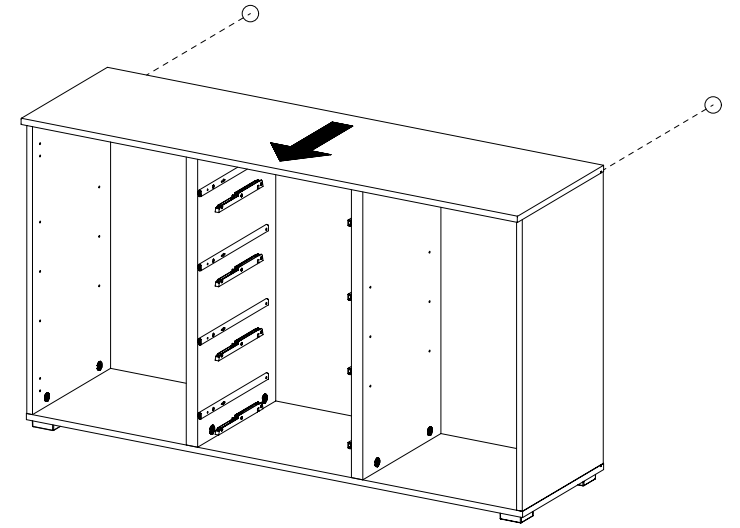
1147

1093

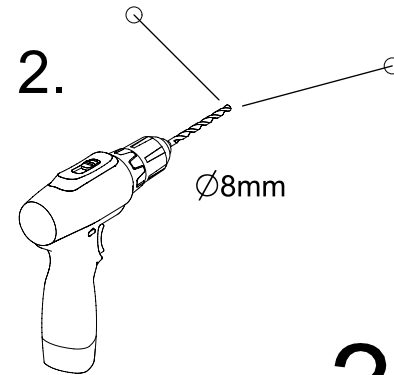
23



1.

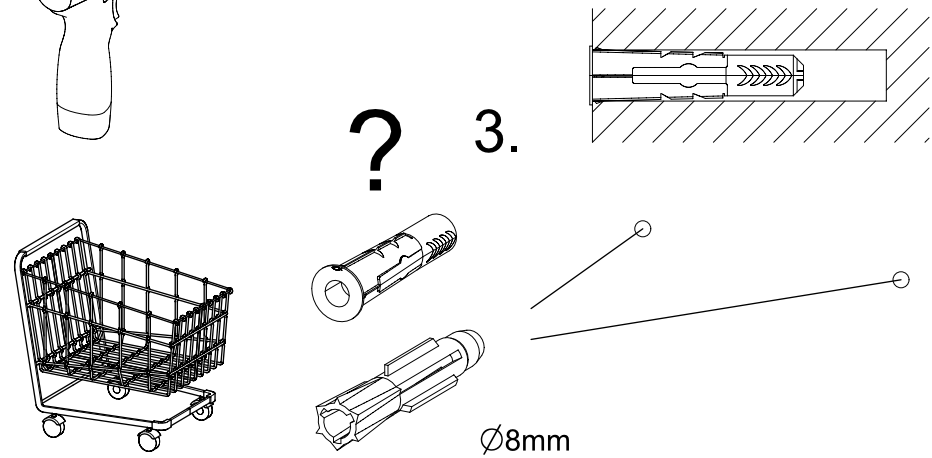


2.



Ø8mm

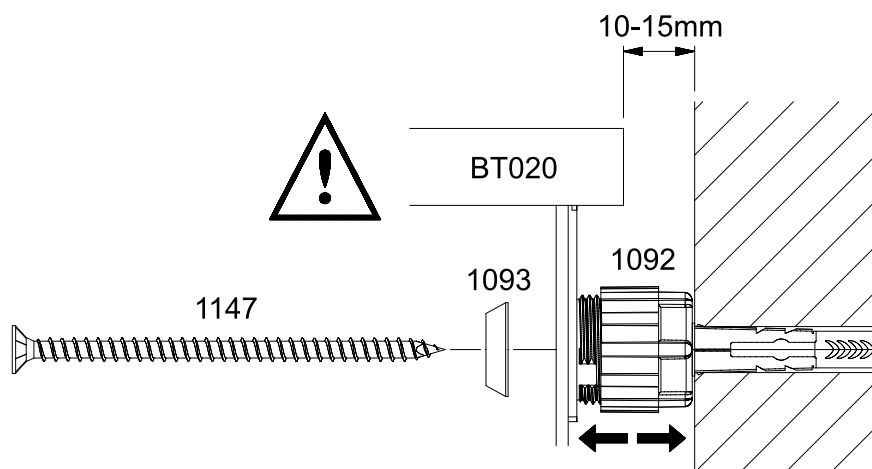
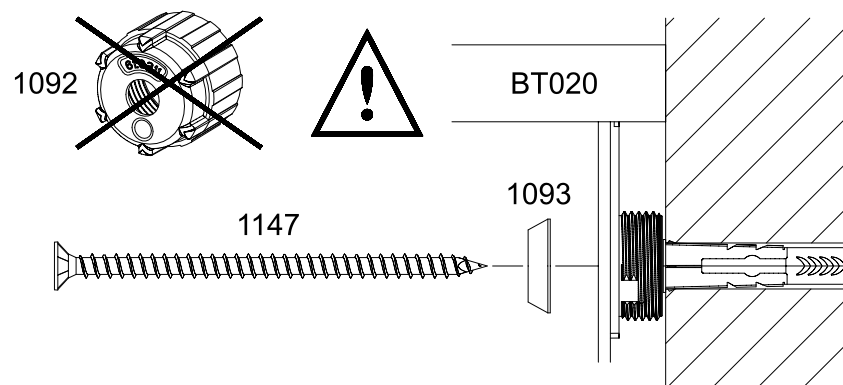
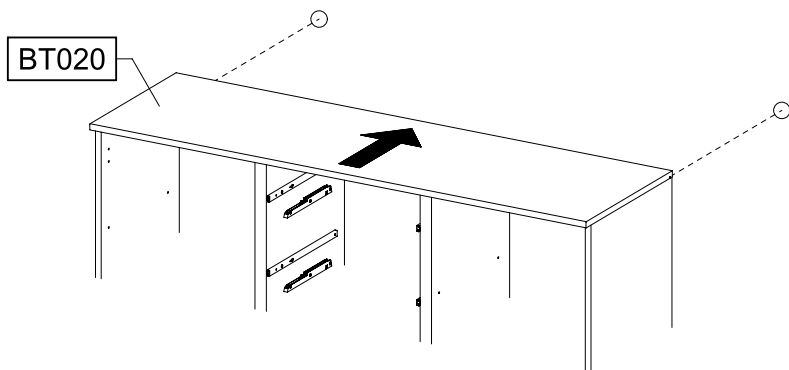
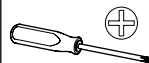
3.



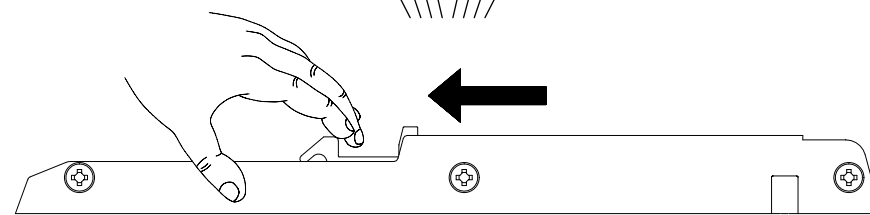
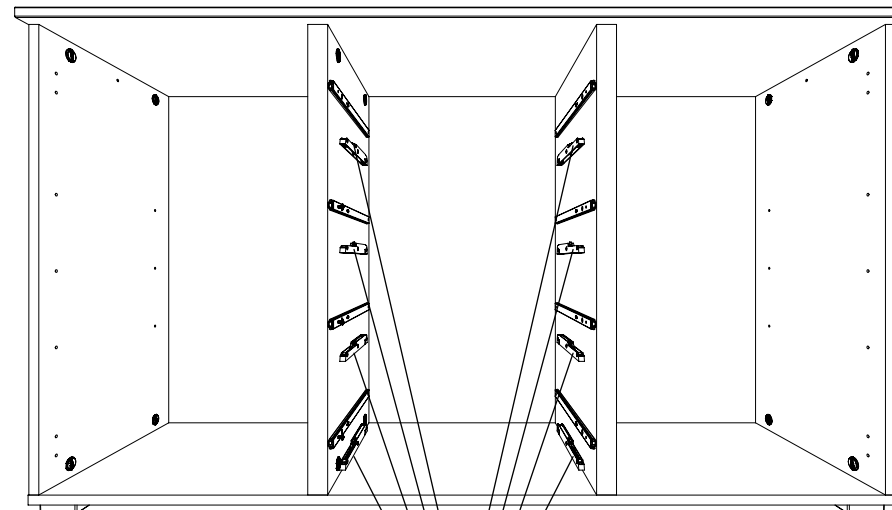
Ø8mm

24

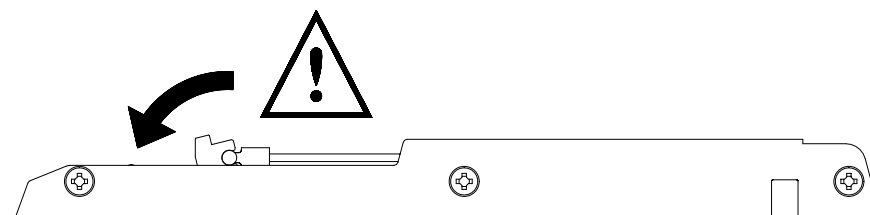
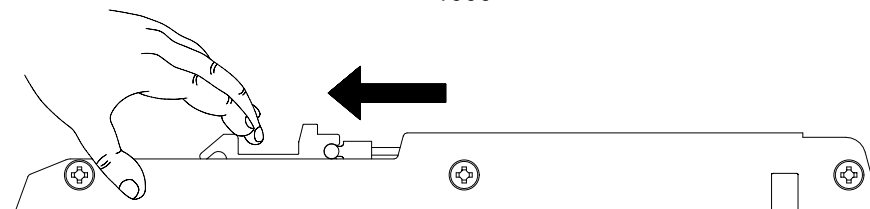
2x 1092



25



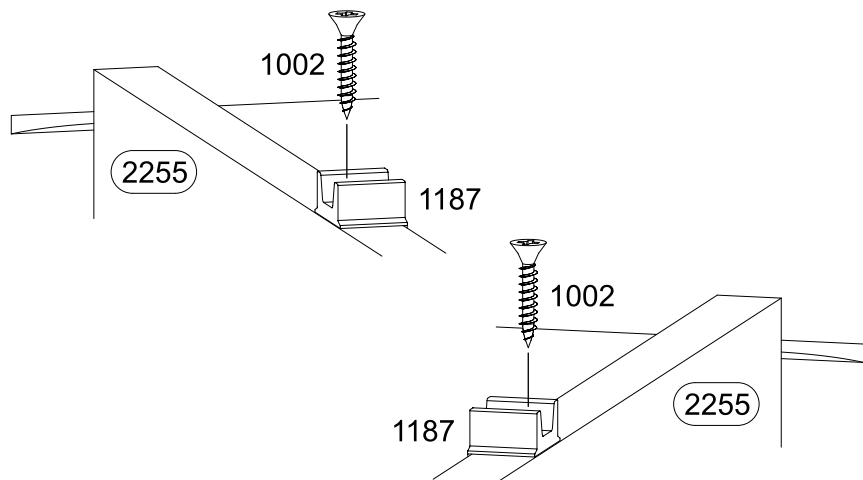
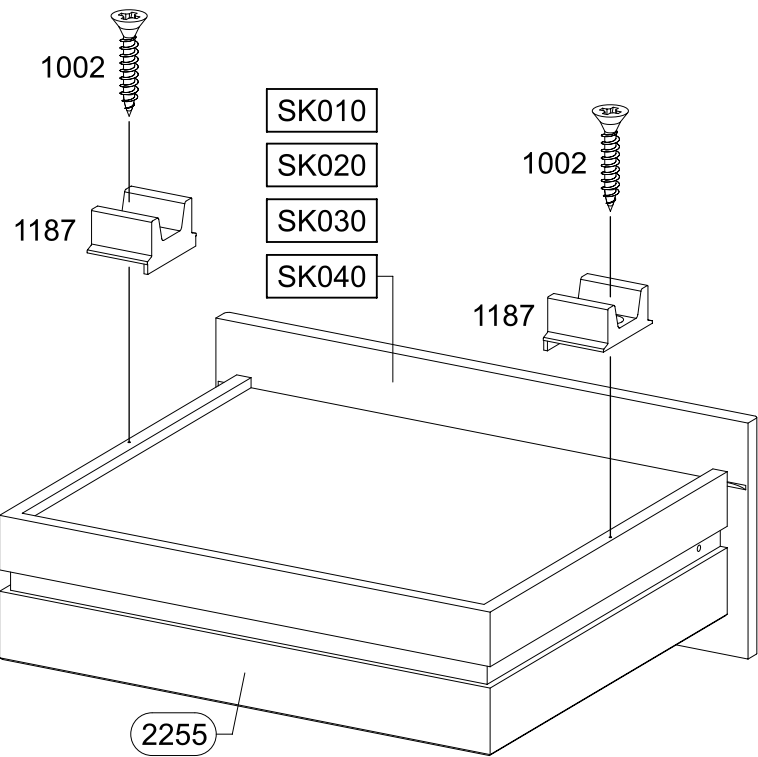
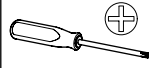
1000



26

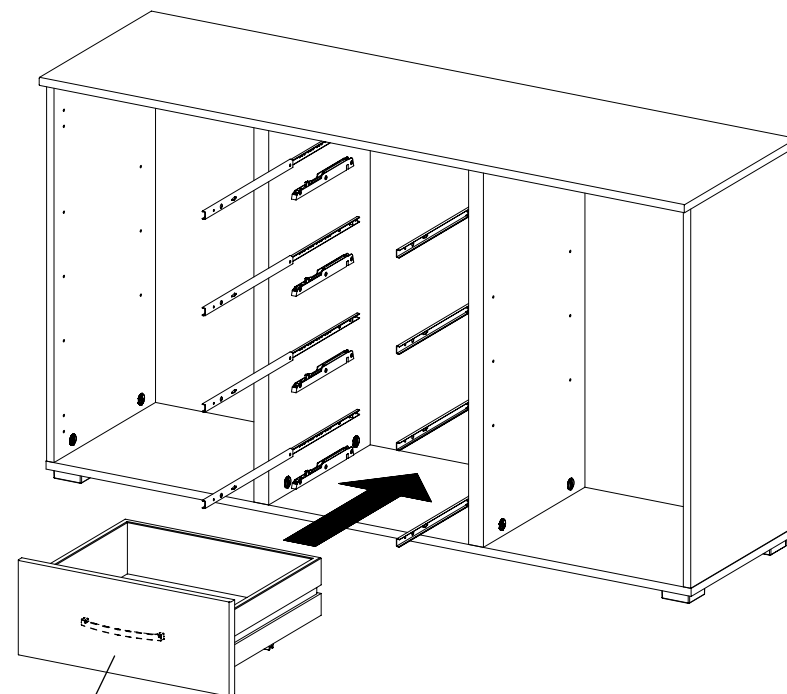
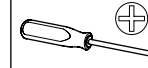
8x 1002 3,5x20

8x 1187

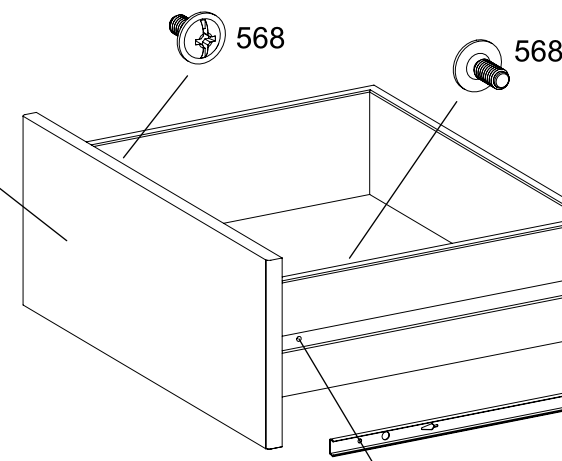


27

8x 568 M4x9

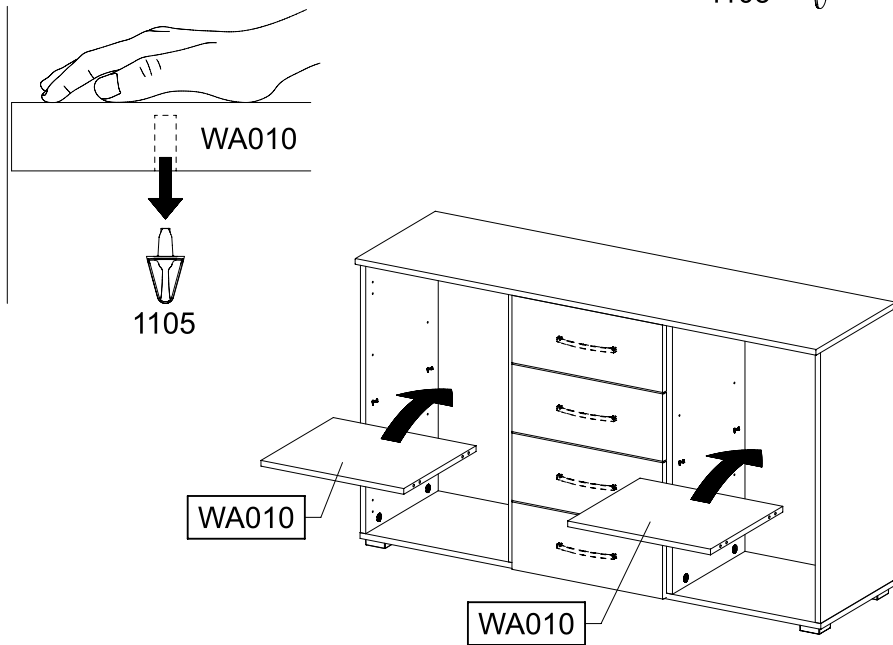
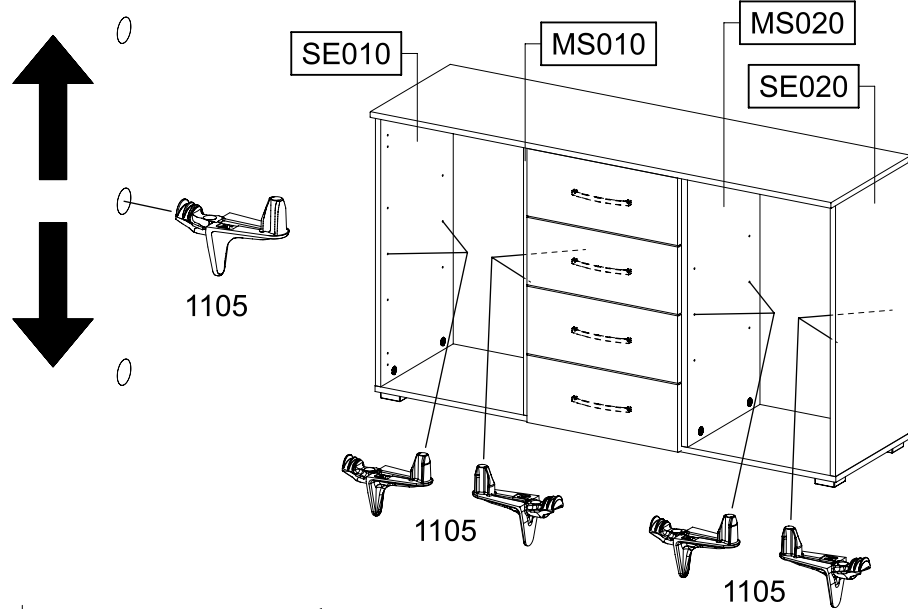


SK010
SK020
SK030
SK040



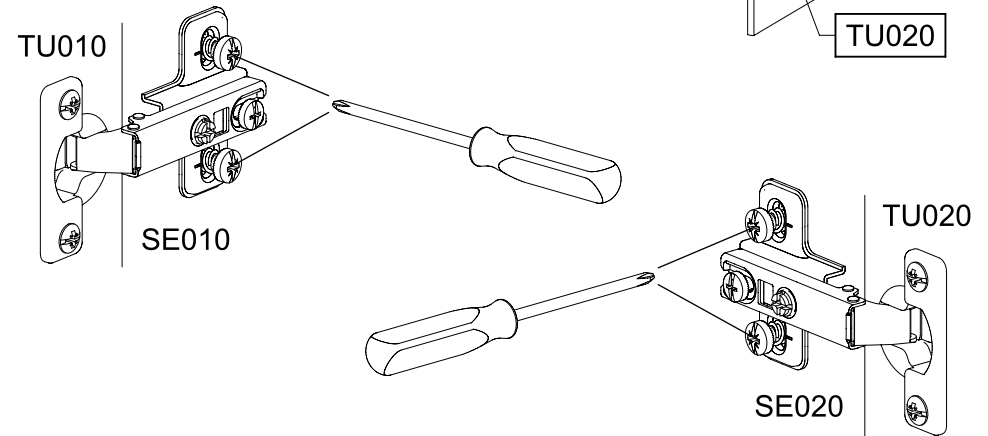
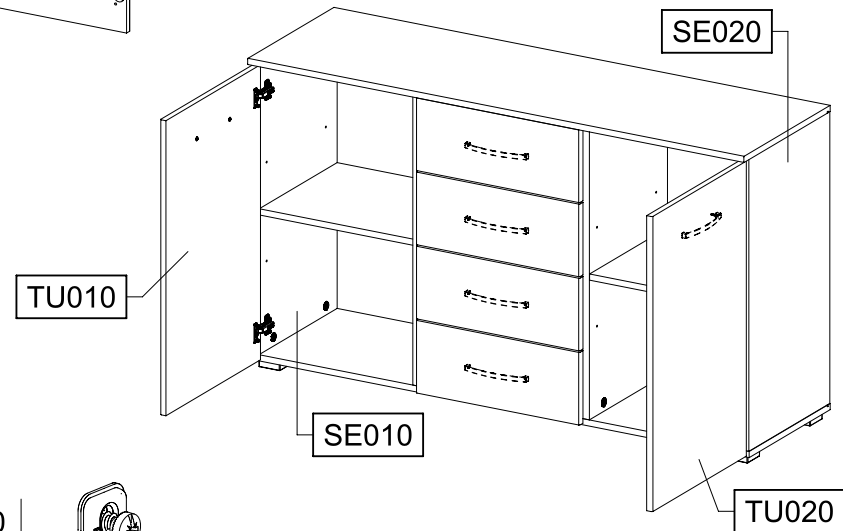
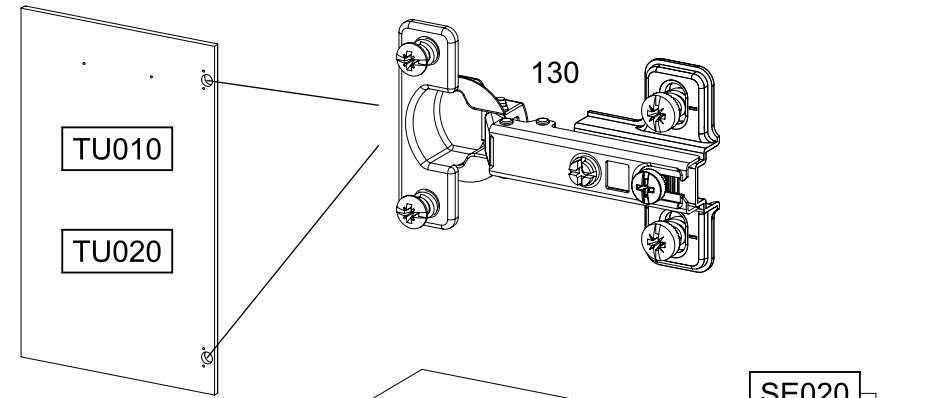
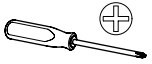
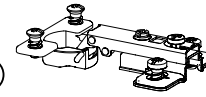
28

8x 1105



29

4x 130



30

