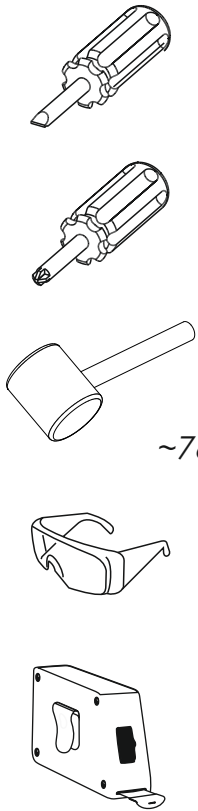
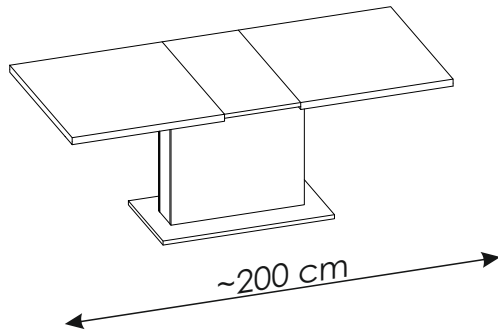
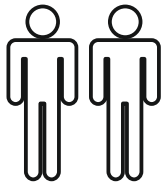


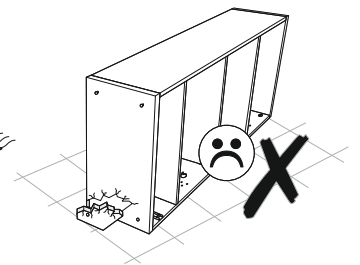
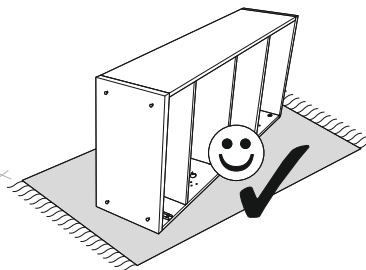
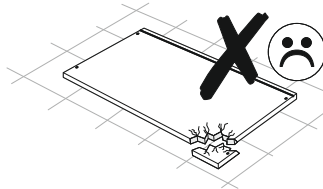
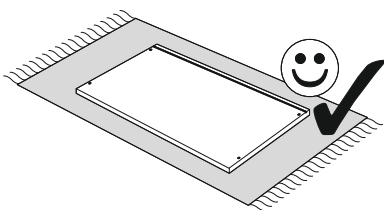
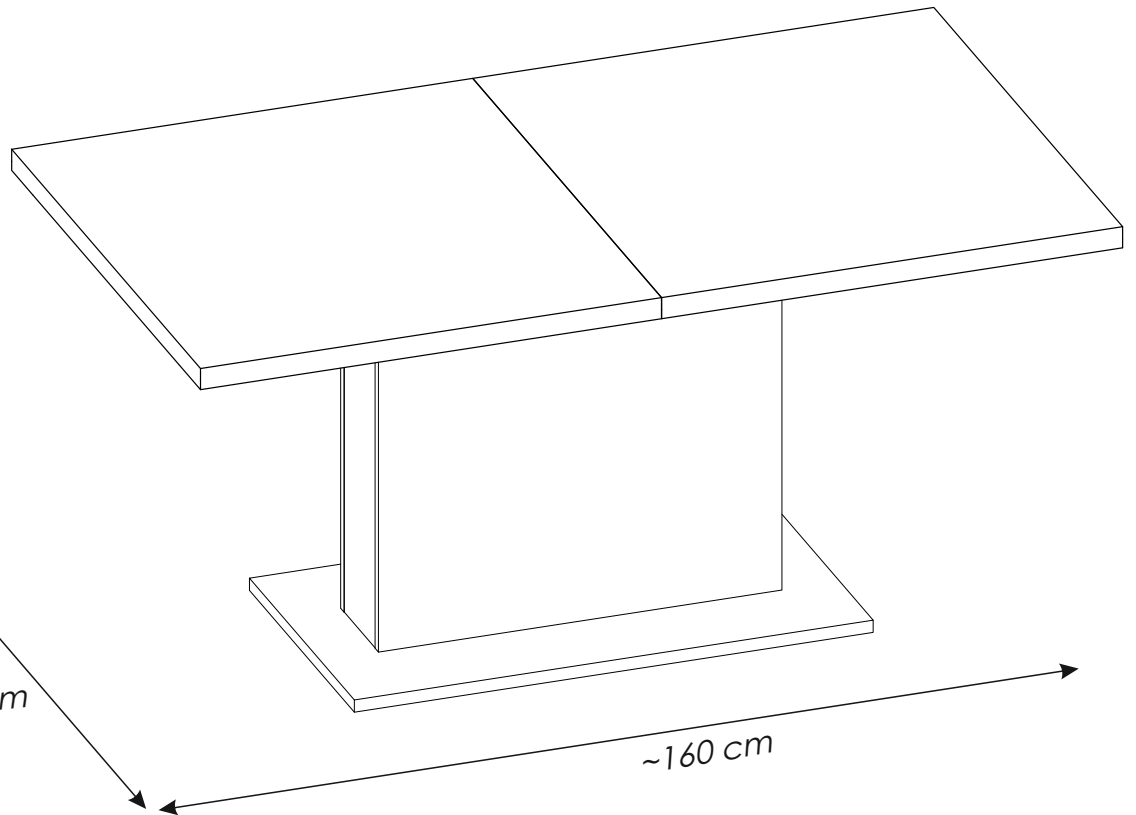
# MDT20

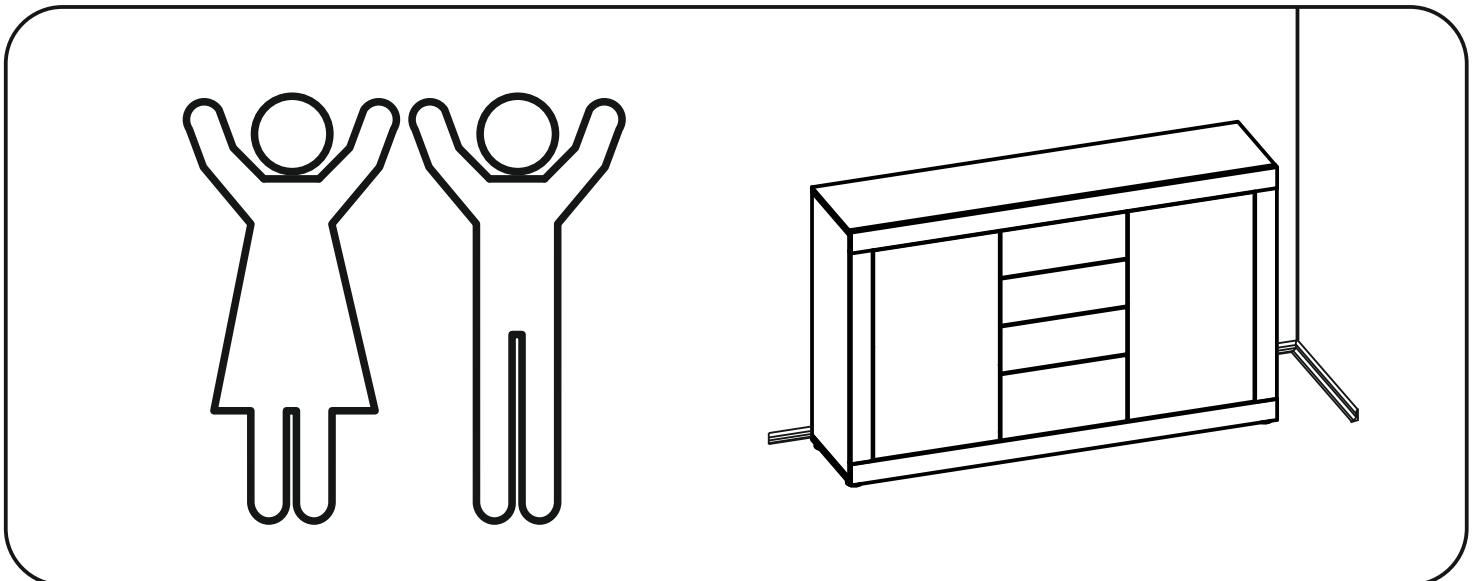
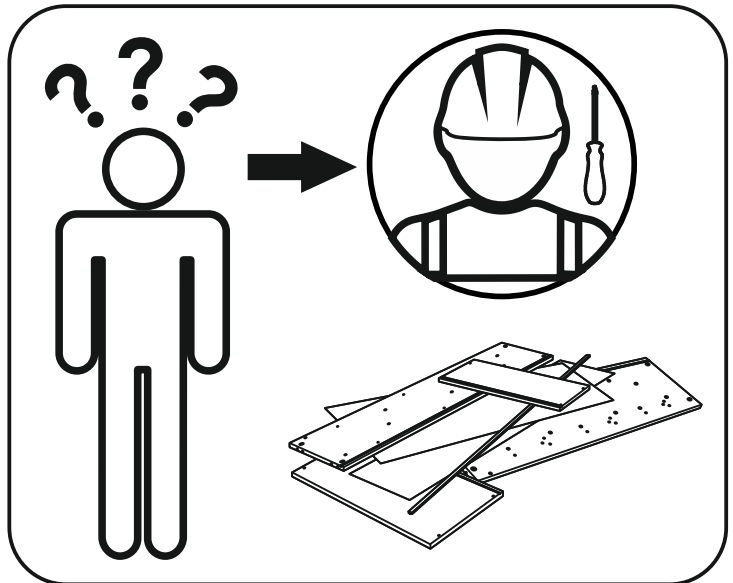
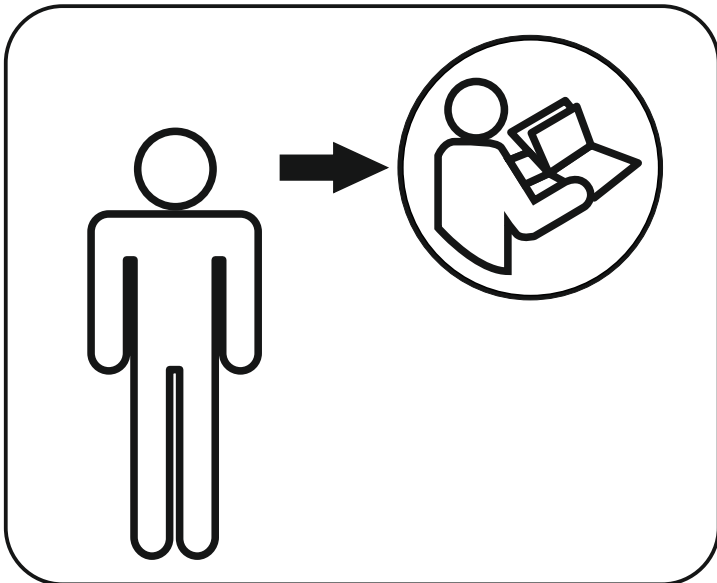
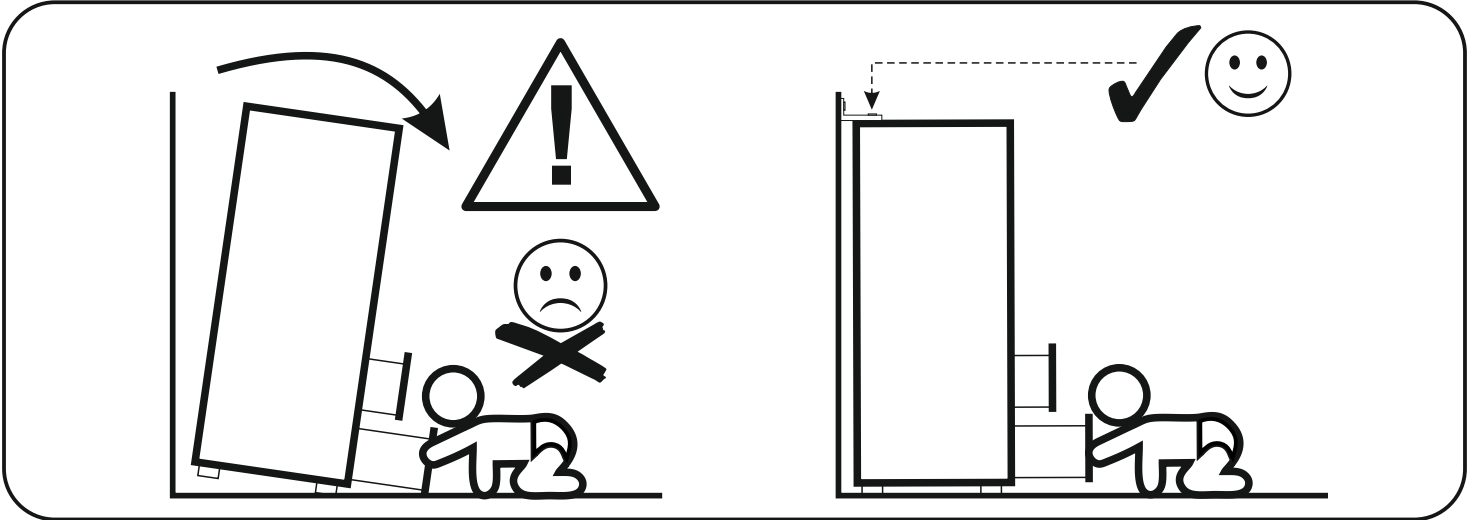
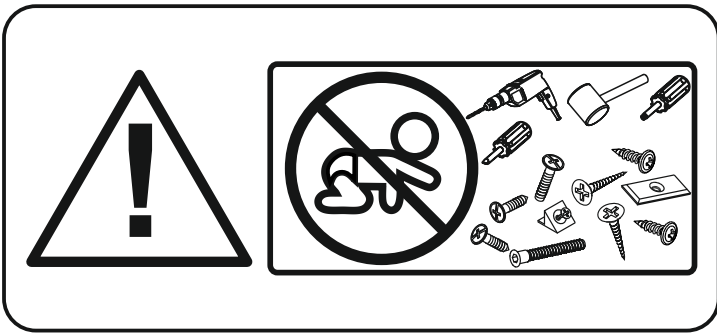


~76 cm

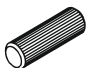

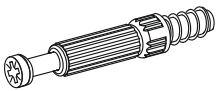
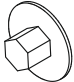

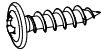

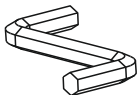

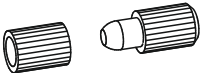
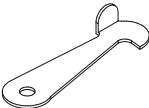

~90 cm

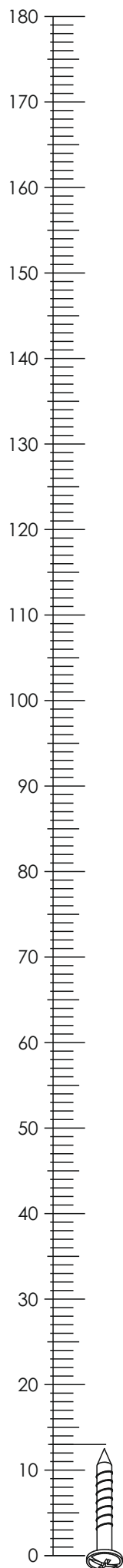
~160 cm



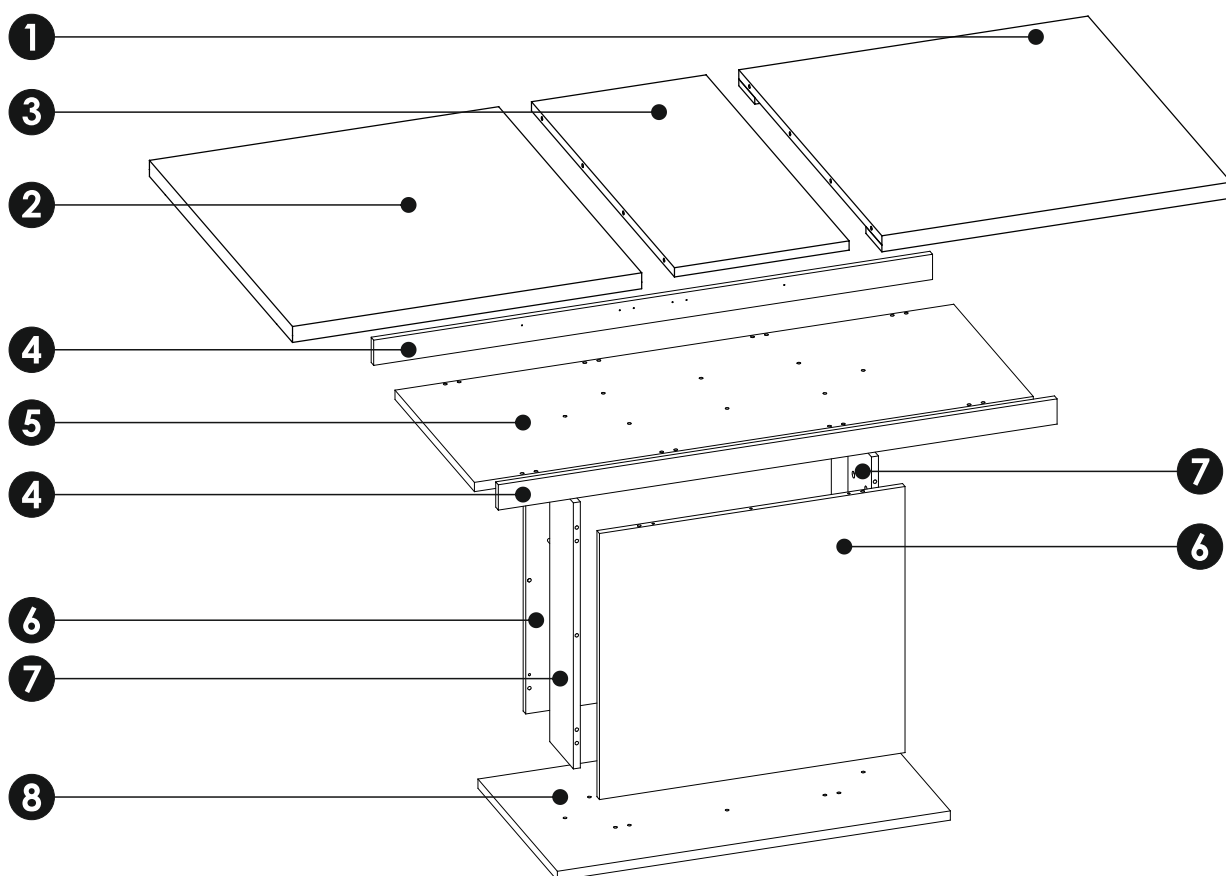
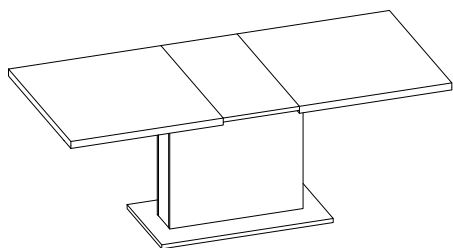


# MDT20

<b>A1</b> 8 x 35 mm x28 	<b>E1</b> $\varnothing 15 \times 12,5$ mm x8 	<b>F1</b> 6 x 34 mm x8 
<b>G0</b> x16 	<b>G2</b> 7 x 60 mm x24 	<b>I2</b> 4 x 16 mm x24 
<b>I9</b> 4 x 20 mm x20 	<b>M</b> x1 	<b>O2A</b> $\varnothing 20$ x14 
<b>R8</b> x8 	<b>S19</b> x4 	<b>T10</b> L-650 mm x2 

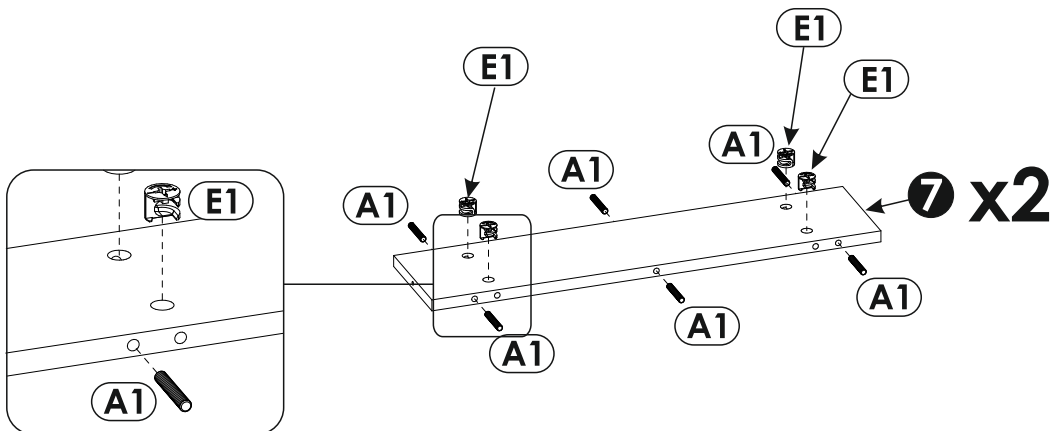
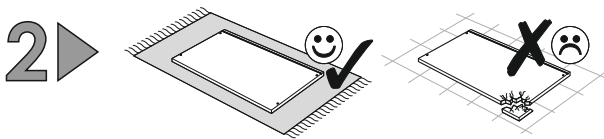
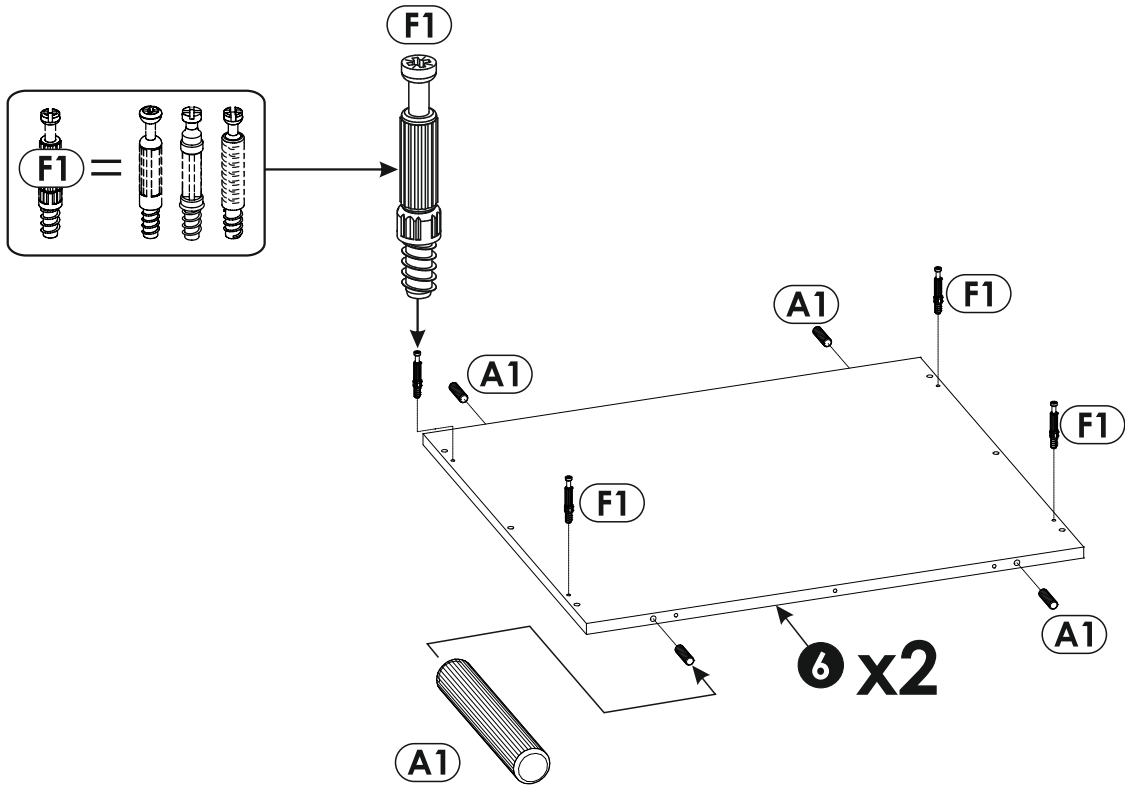
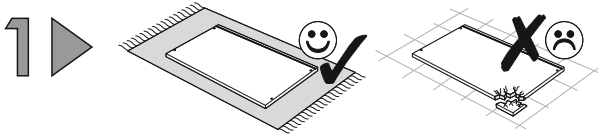
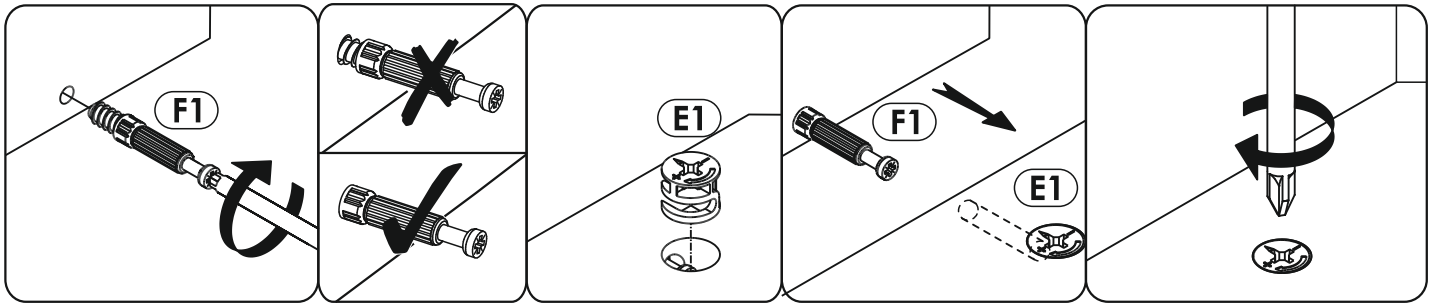


# MDT20

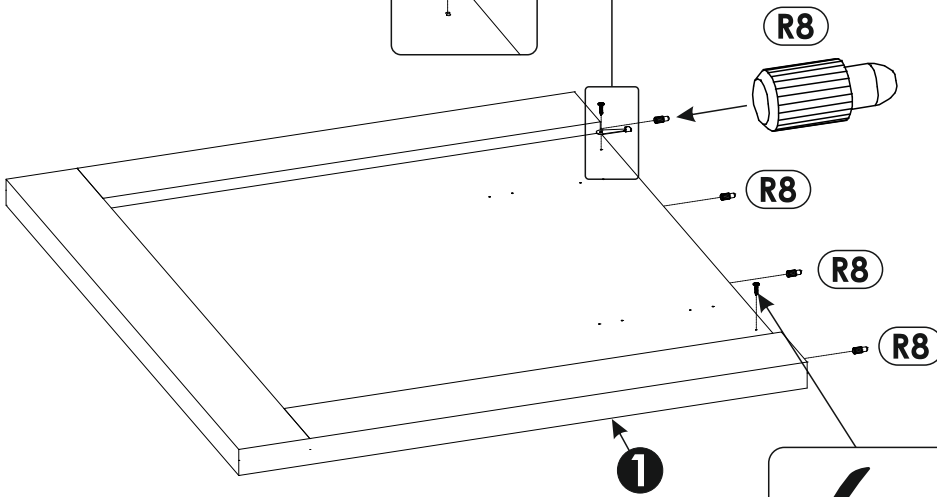
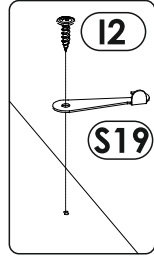
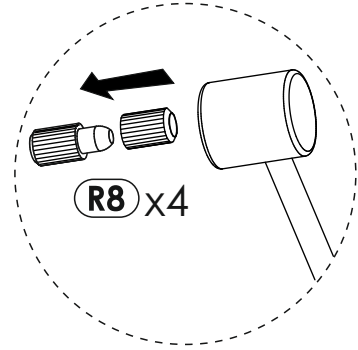
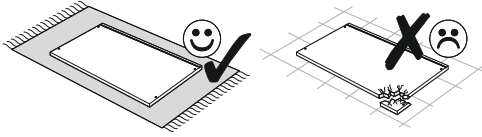


<b>1</b>	900	800	38	x1	1/2
<b>2</b>	900	800	38	x1	1/2
<b>3</b>	900	400	22	x1	2/2
<b>4</b>	1280	60	16	x2	2/2

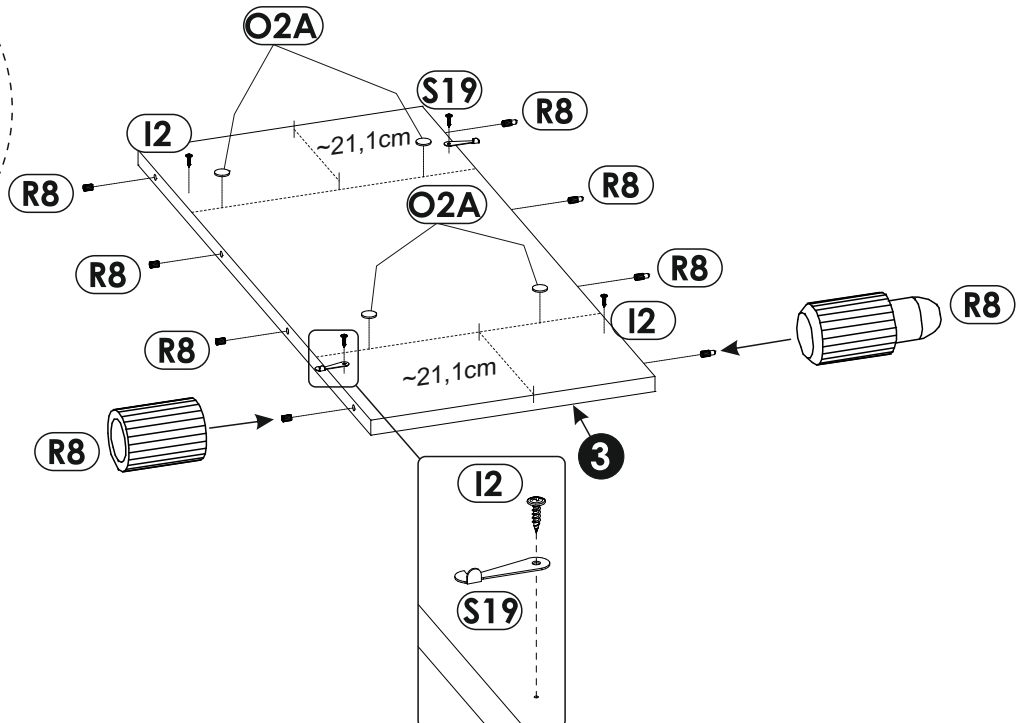
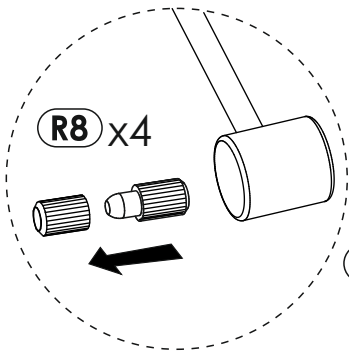
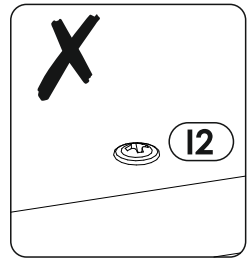
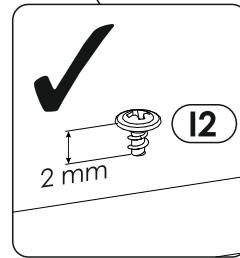
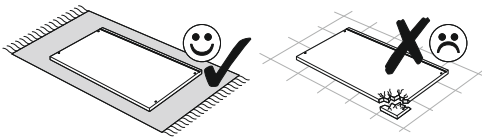
<b>5</b>	1280	500	22	x1	2/2
<b>6</b>	700	632	16	x2	1/2
<b>7</b>	148	632	16	x2	2/2
<b>8</b>	900	500	22	x1	2/2



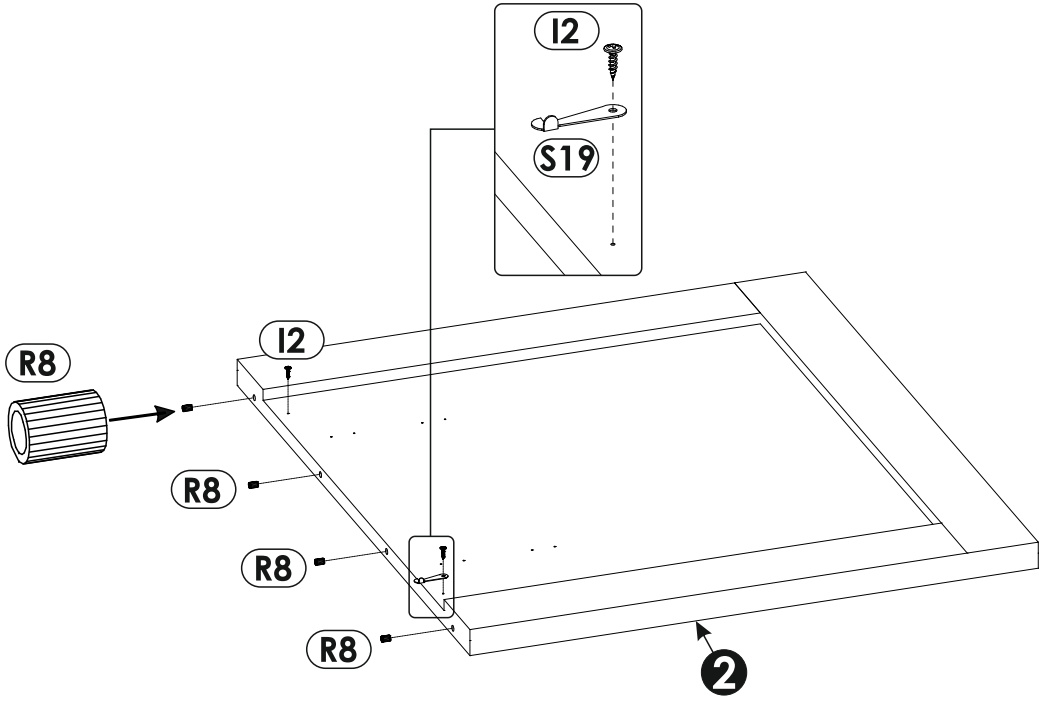
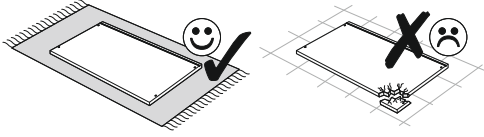
3 ▶



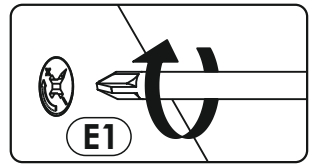
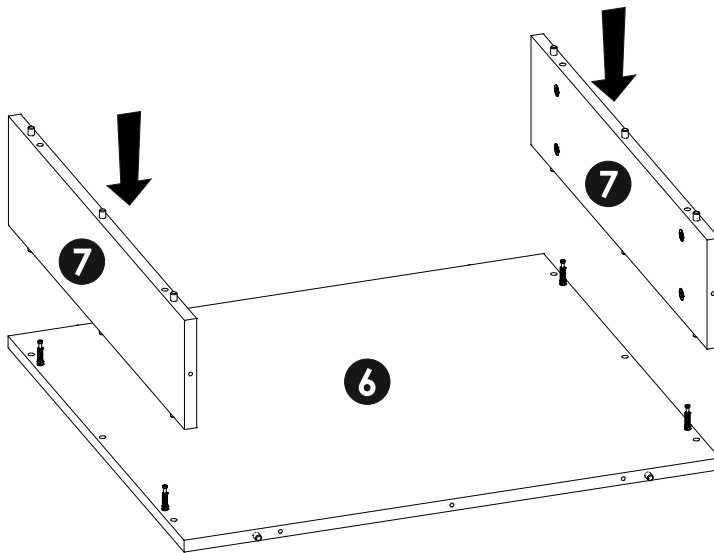
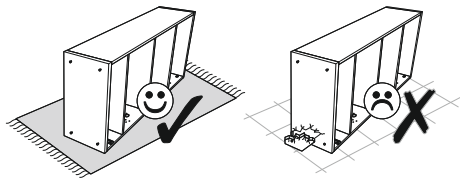
4 ▶

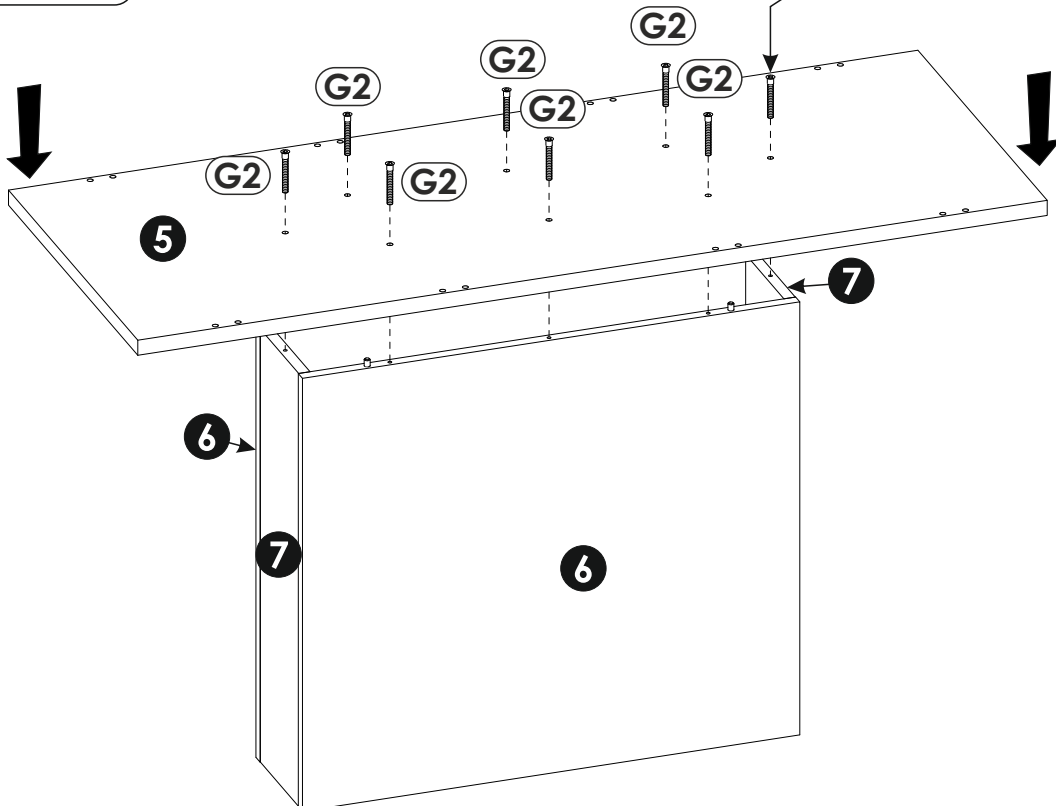
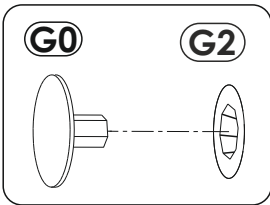
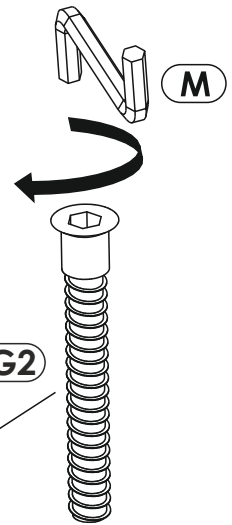
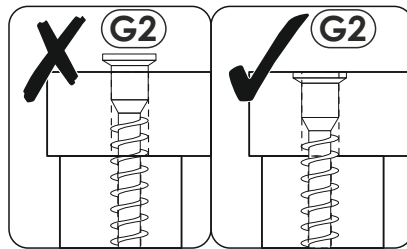
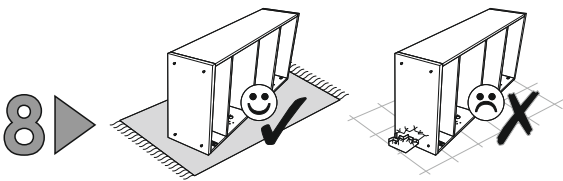
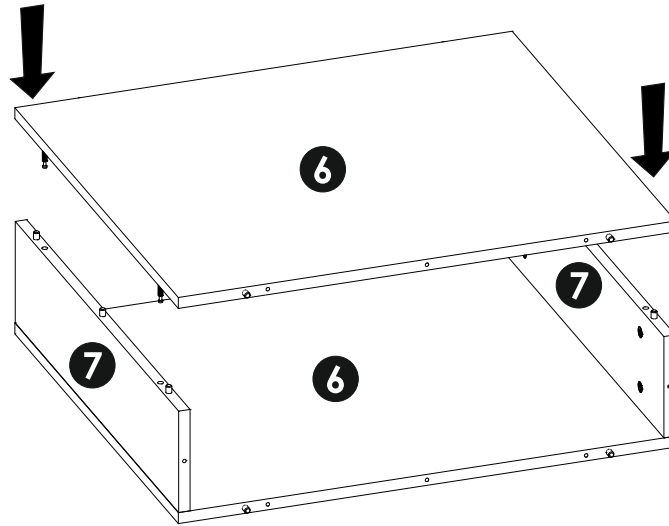
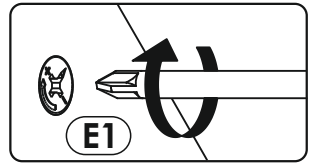
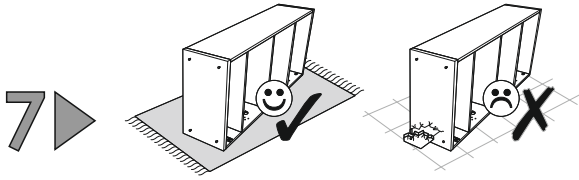


5 ▶

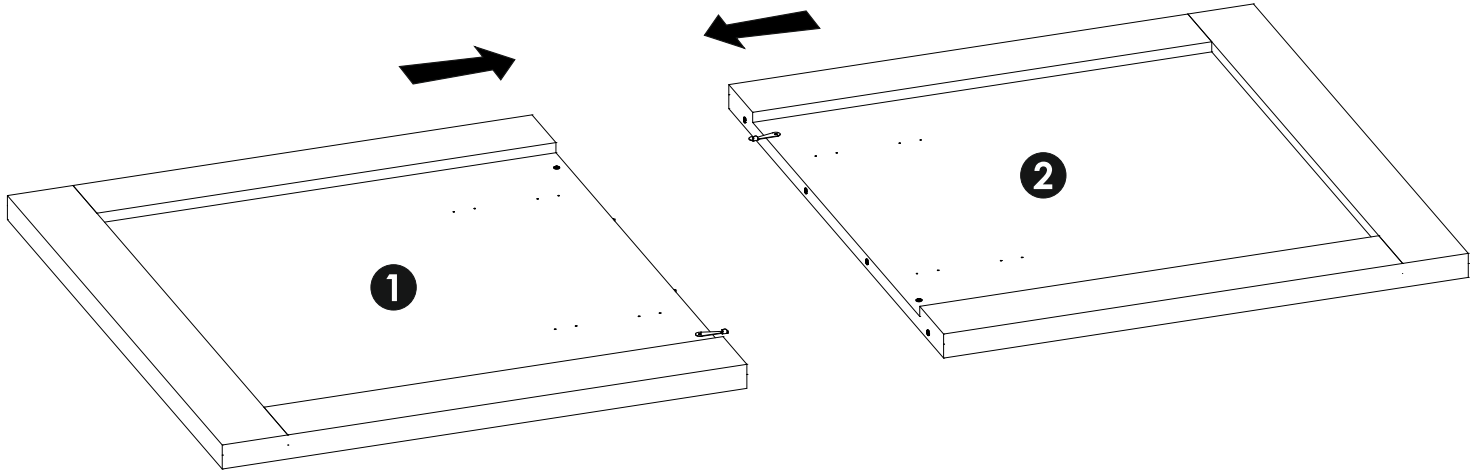
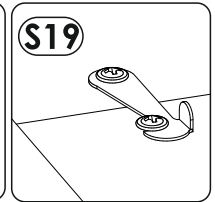
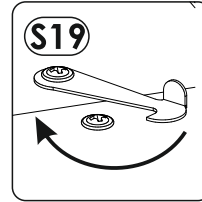
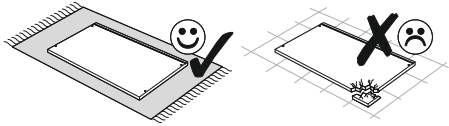


6 ▶

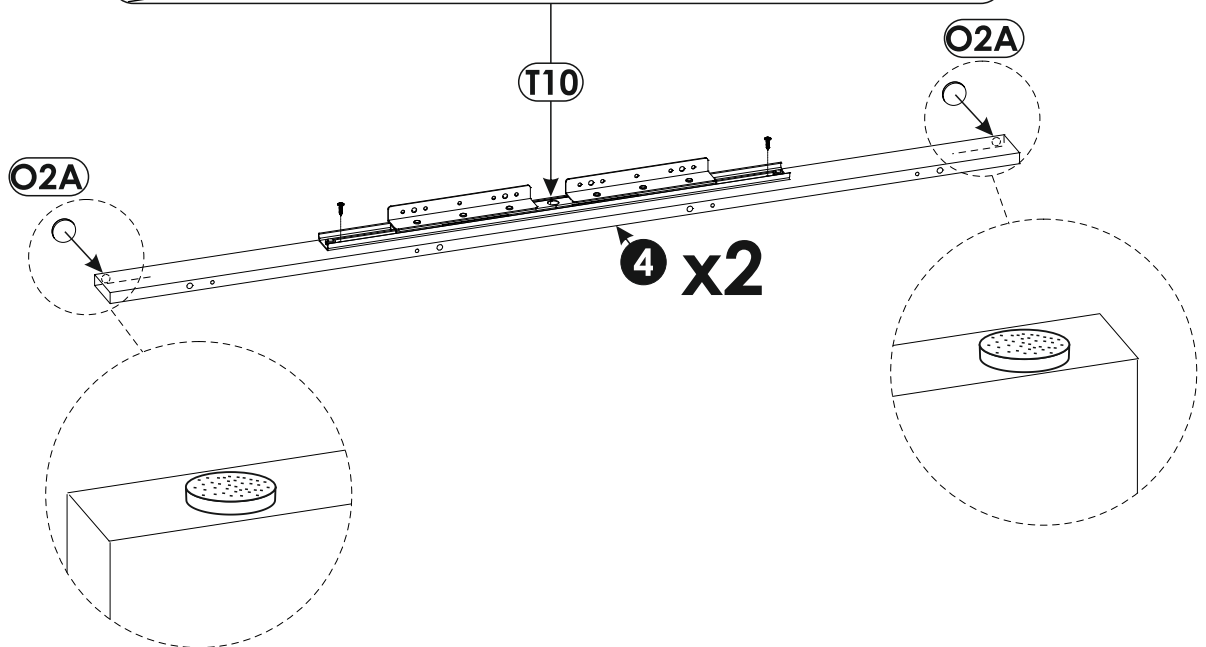
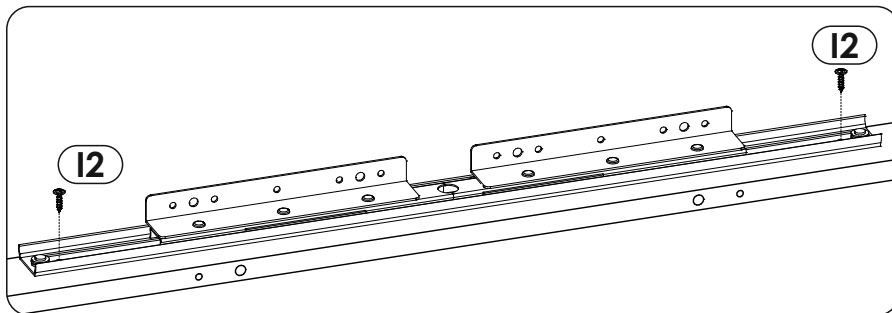
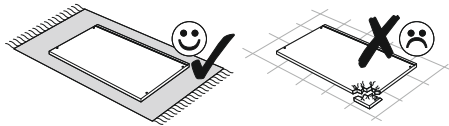




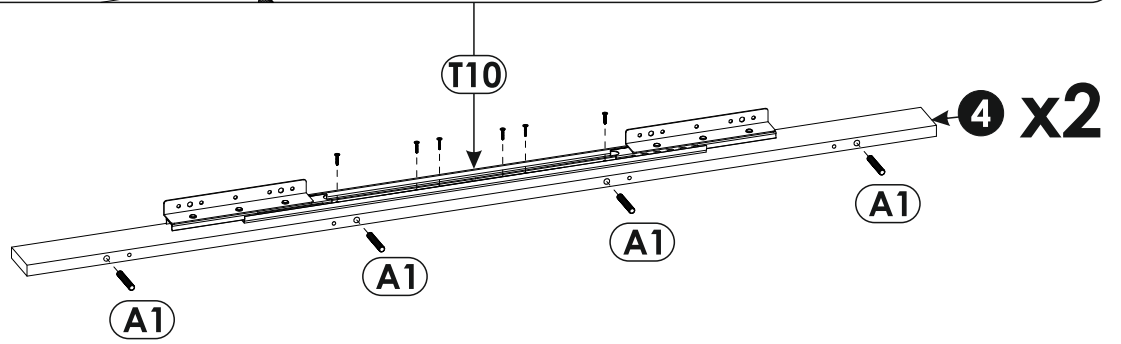
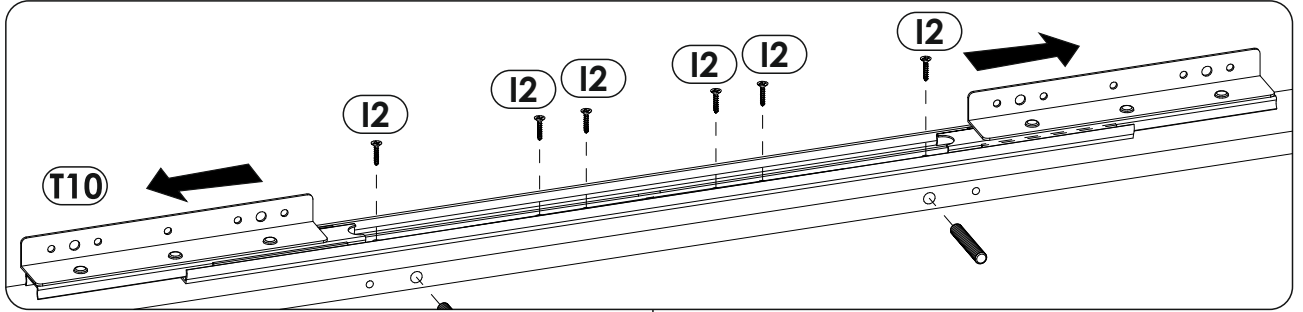
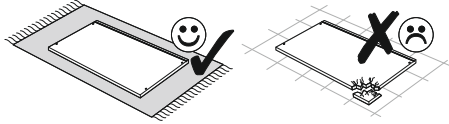
9 ▶



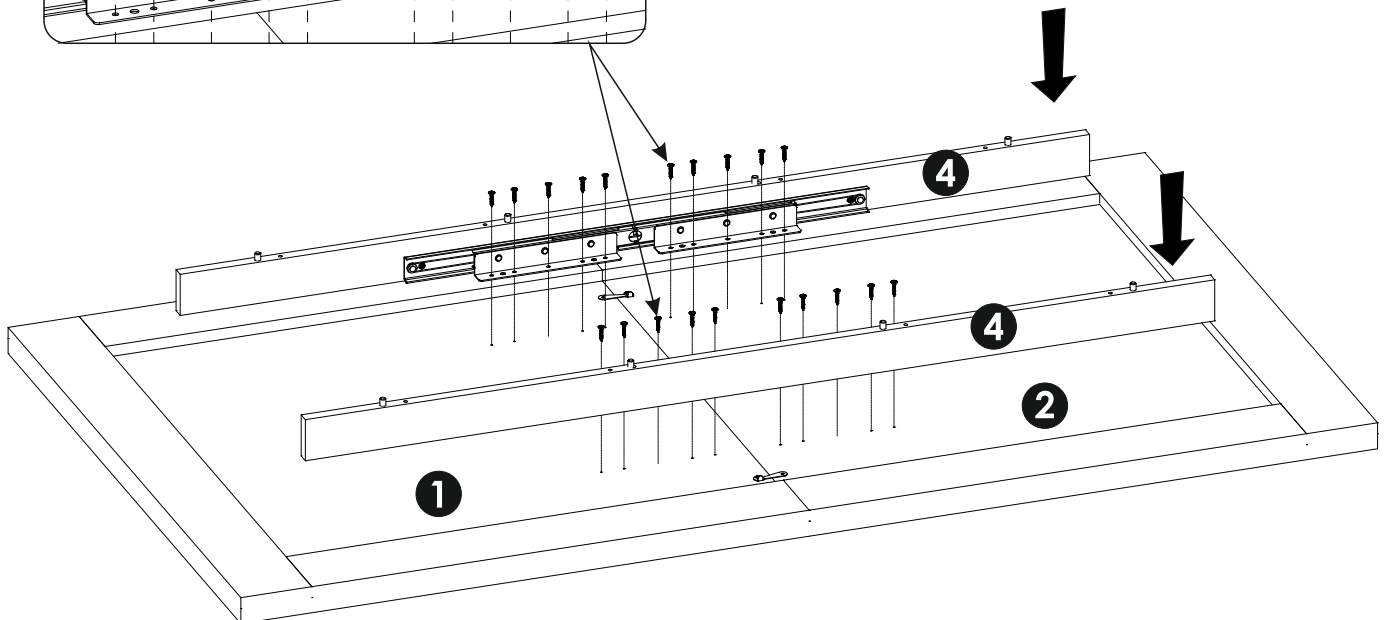
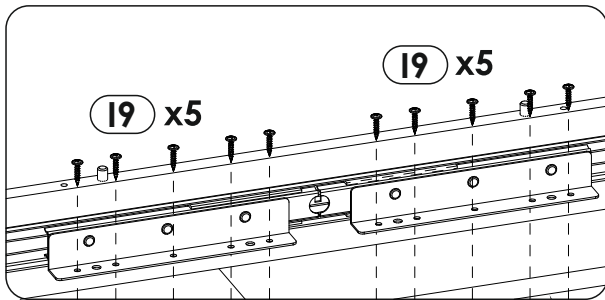
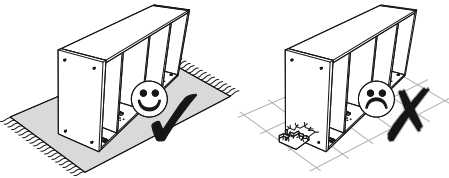
10 ▶



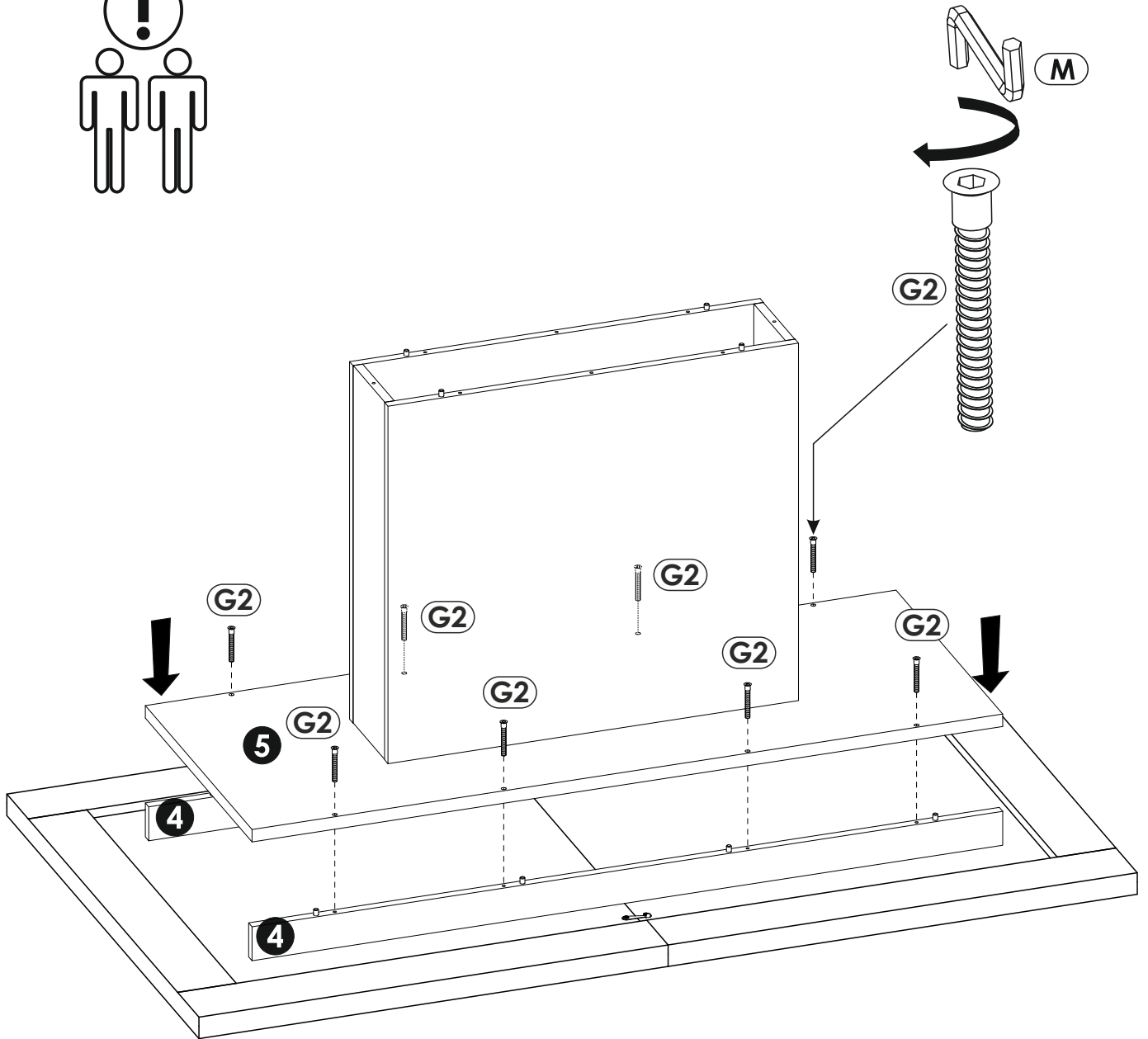
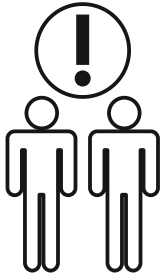
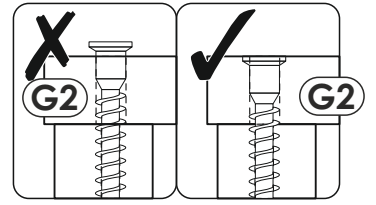
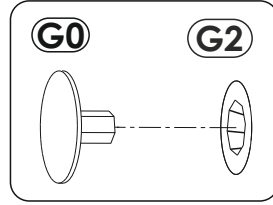
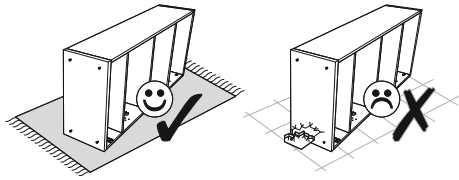
11 ▶



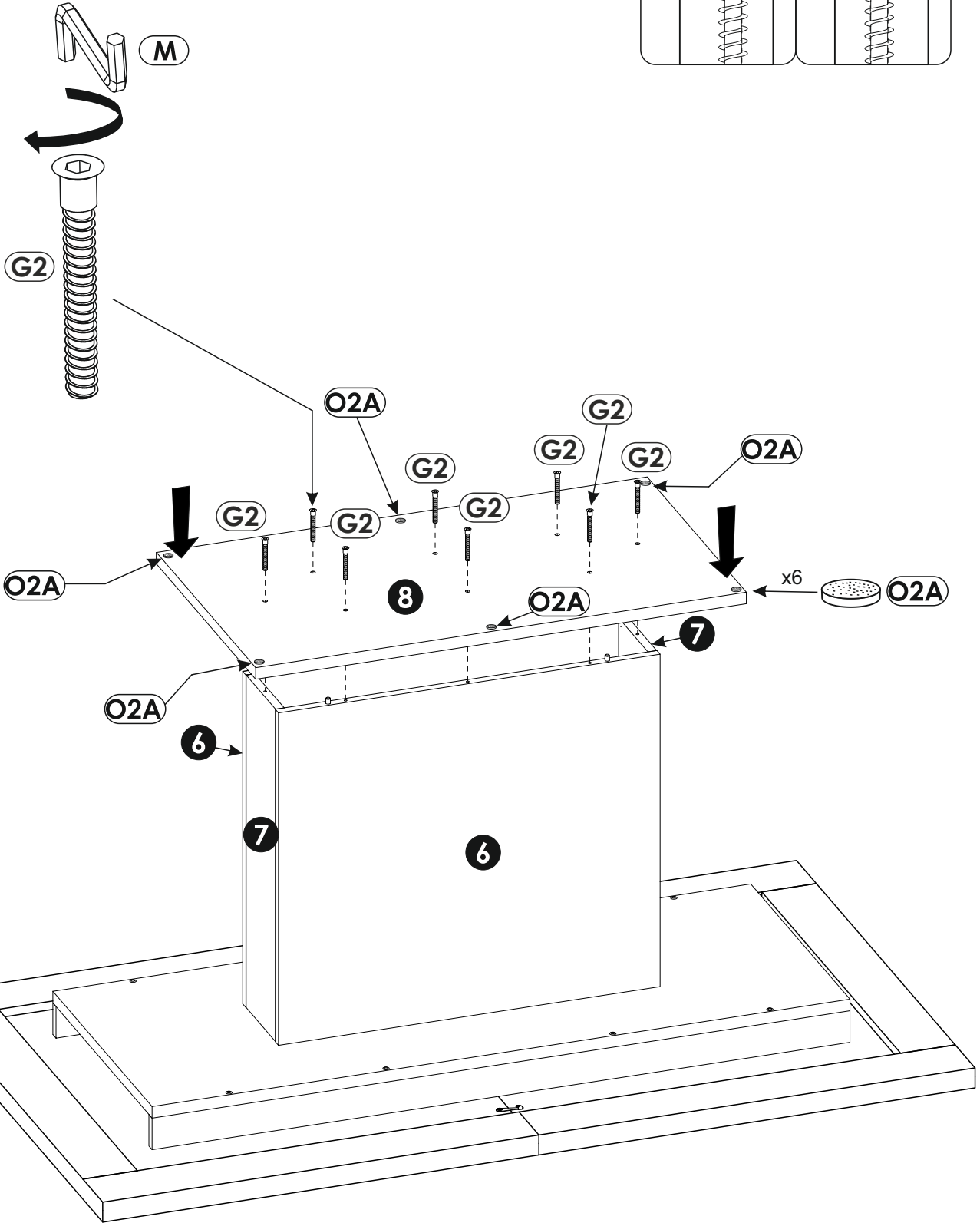
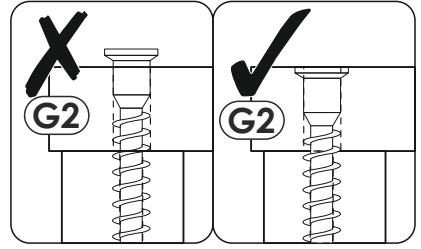
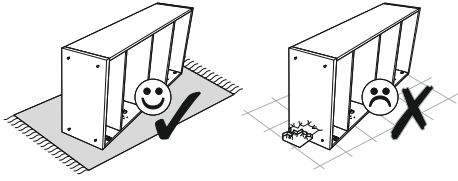
12 ▶



13 ▶



14 ▶



15 ▶

