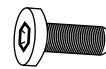
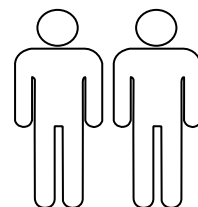
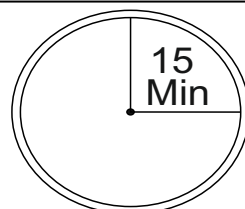


**Art. No.70909-L**

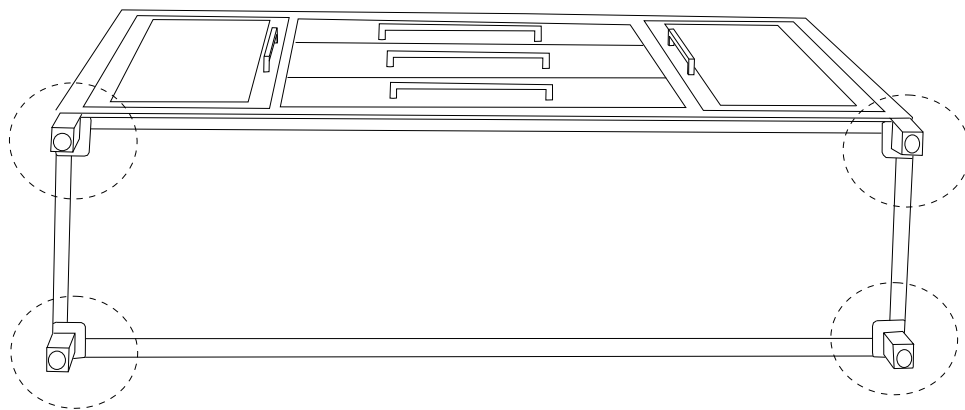
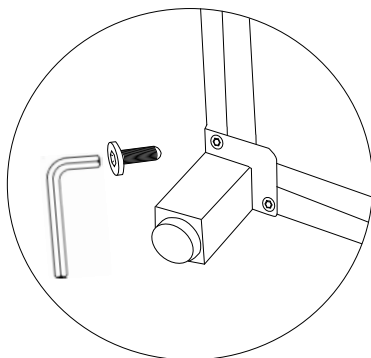


( 6x16mm )  
( 8 Pcs. )



( 1Pcs. )

**Step:1**



**Assembled Product**

