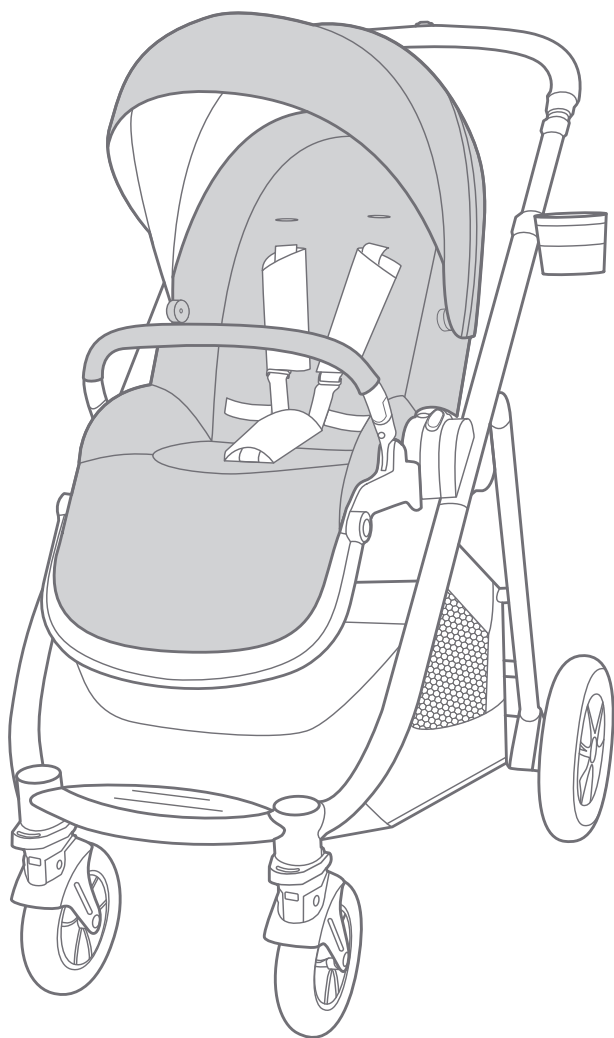


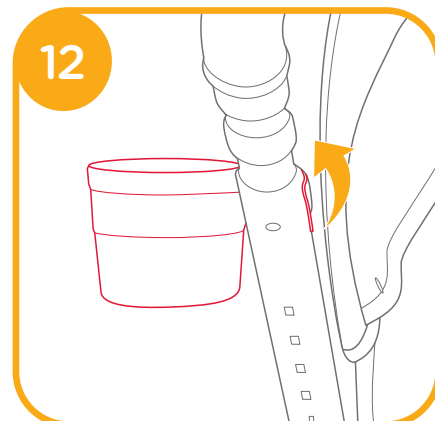
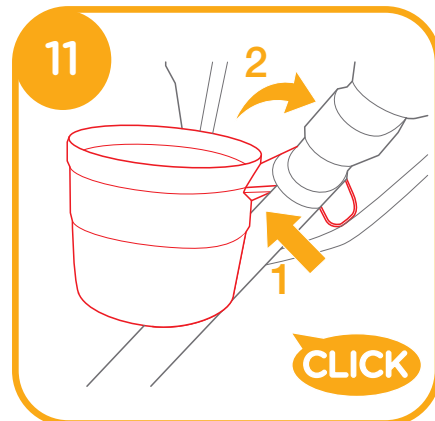
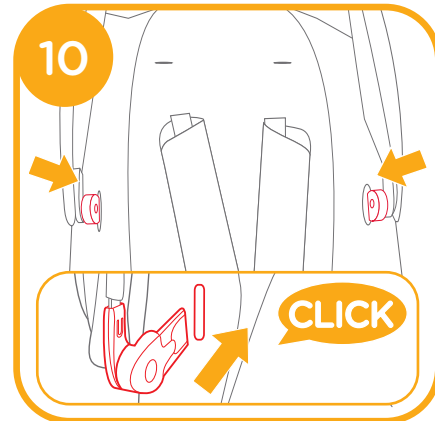
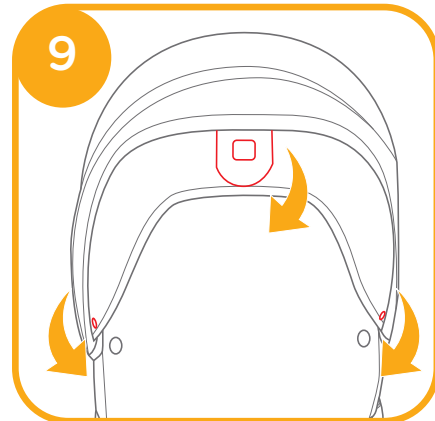
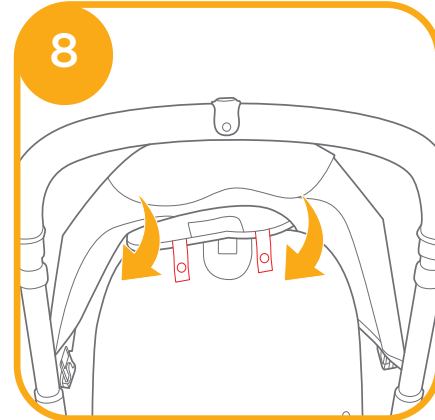
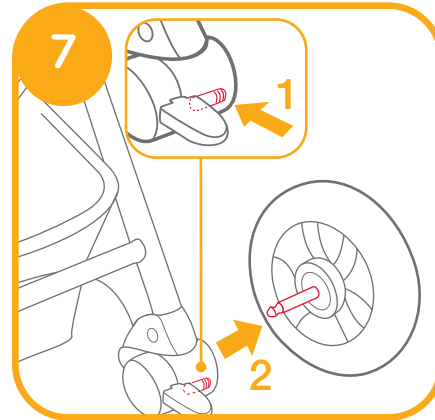
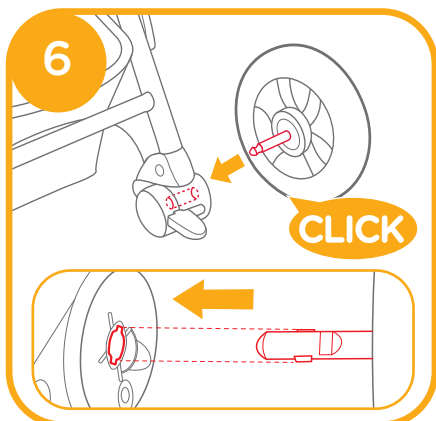
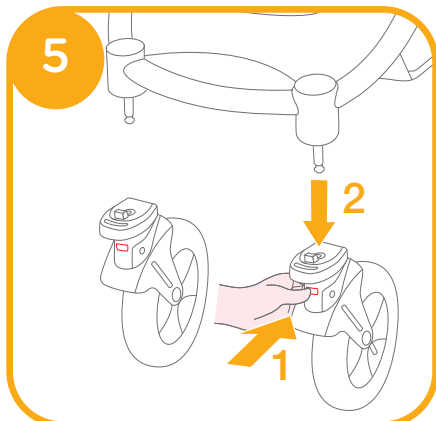
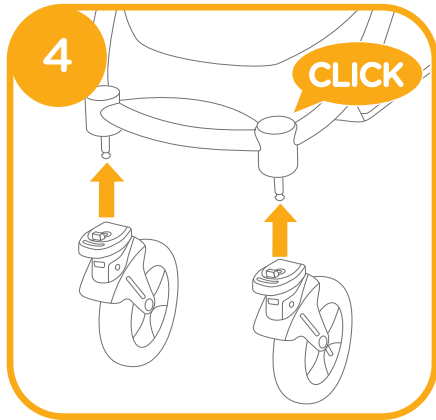
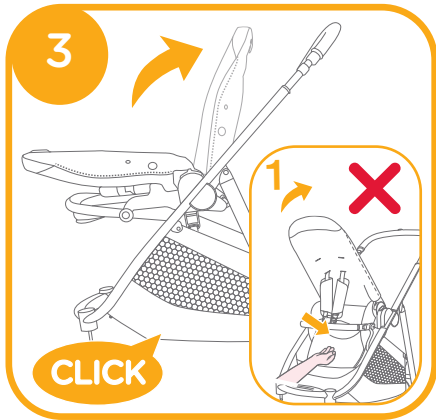
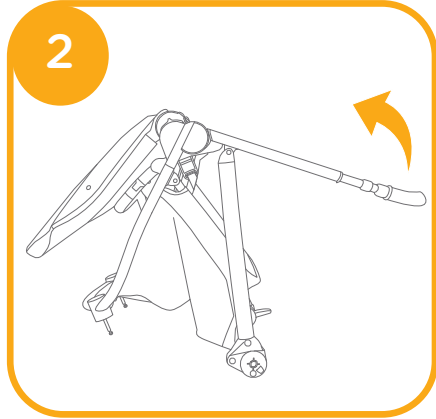
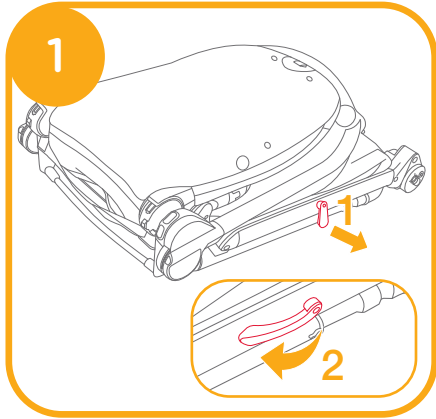
# Joie™

## versatrax™ versatrax™ E stroller

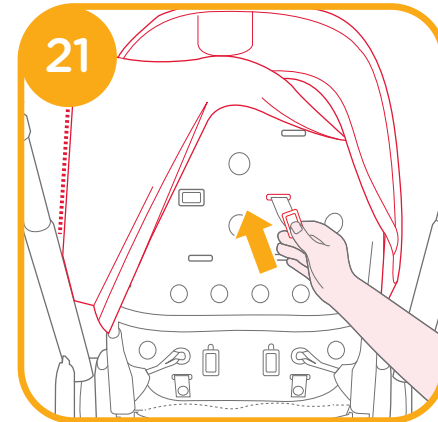
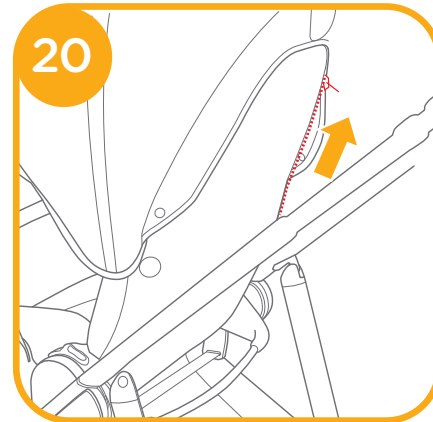
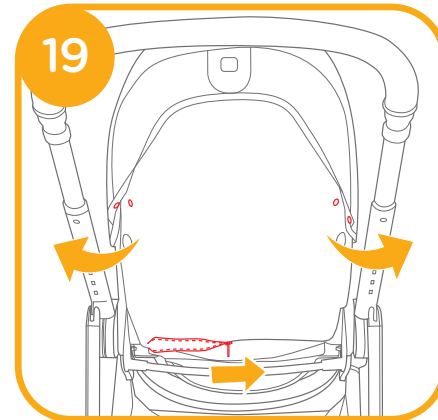
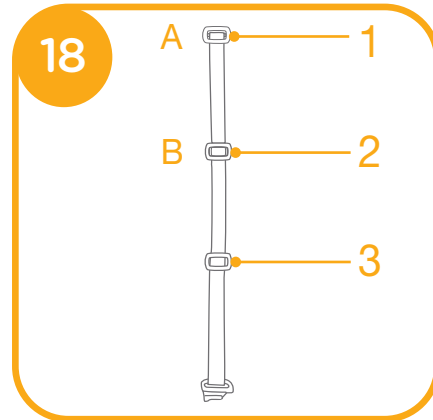
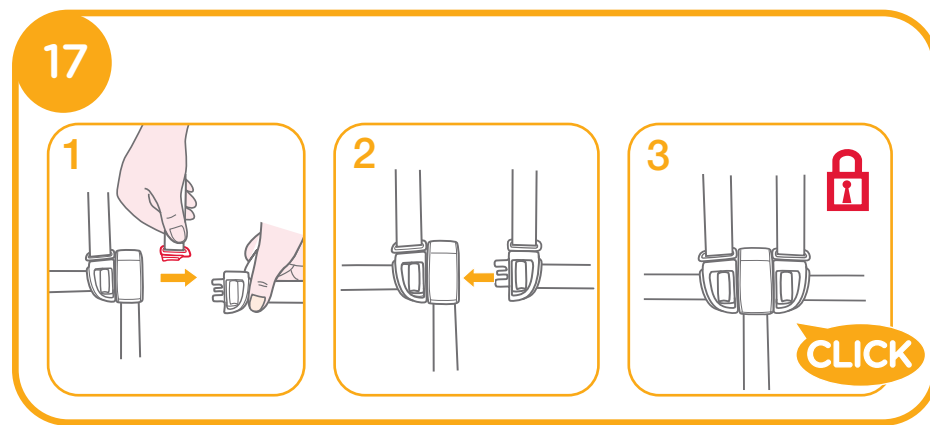
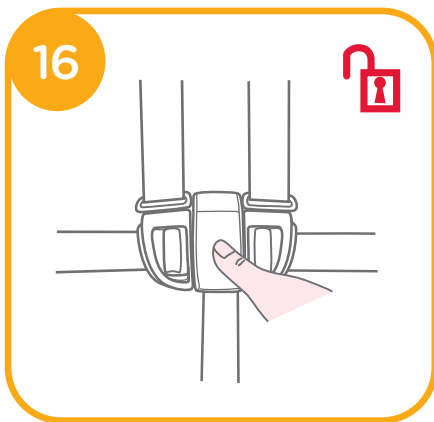
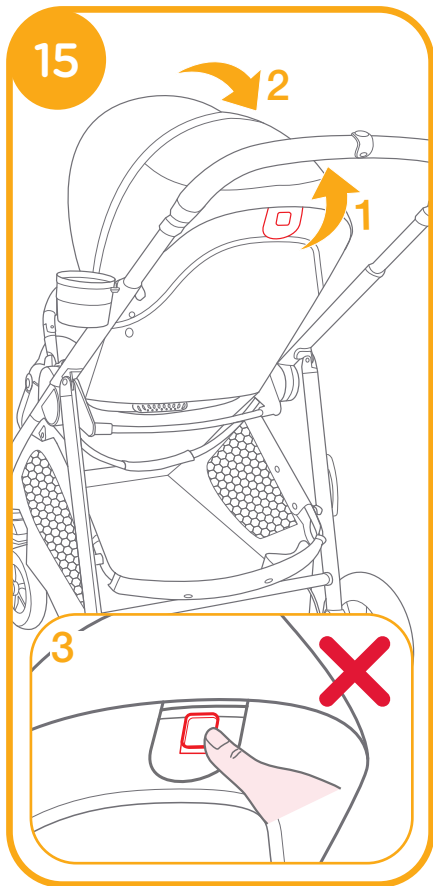
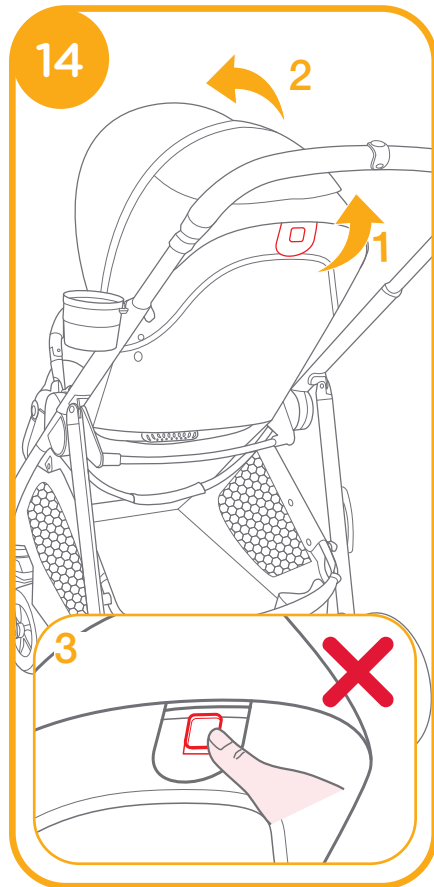
- GB Instruction Manual
- FR Manuel d'utilisateur
- DE Bedienungsanleitung
- ES Manual de instrucciones
- PT Manual de Instruções
- PL Instrukcja obsługi
- IT Manuale di istruzioni
- NL Handleiding
- EL Εγχειρίδιο οδηγιών χρήσης
- DA Brugervejledning
- SV Bruksanvisning
- CZ Návod k obsluze
- SK Návod na použitie
- TR Kullanma kılavuzu
- RU Руководство по эксплуатации
- AR دليل التعليمات
- ET Kasutusjuhend
- FI Käyttöopas
- LT Naudotojo vadovas
- LV Lietošanas instrukcija
- HU Használati utasítás
- SL Navodila za uporabo

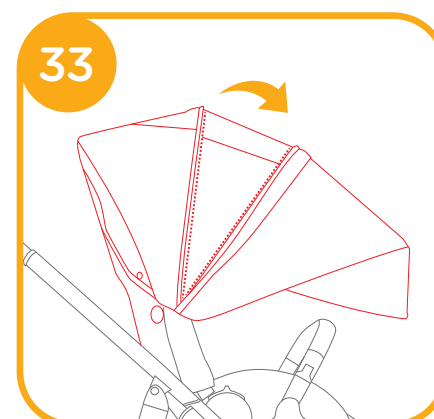
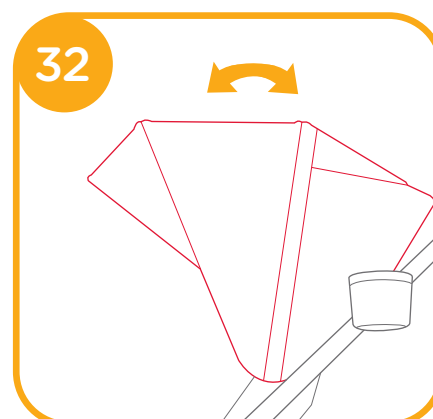
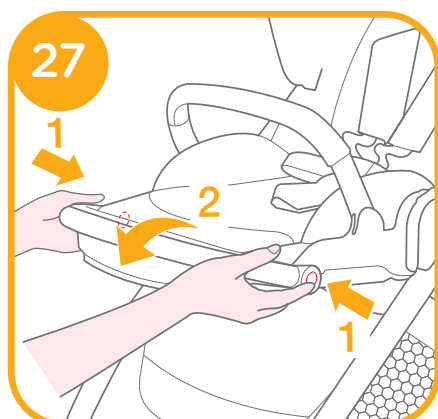
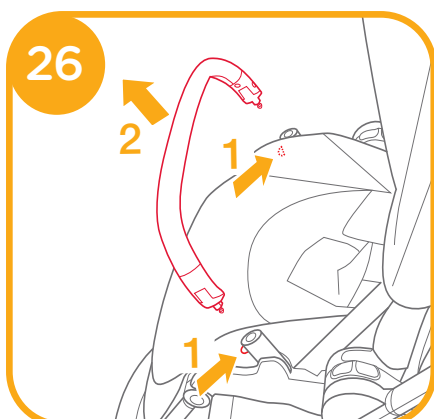
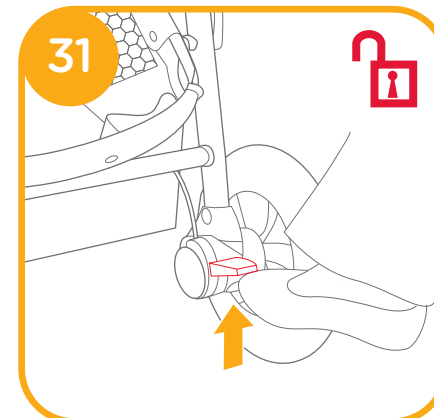
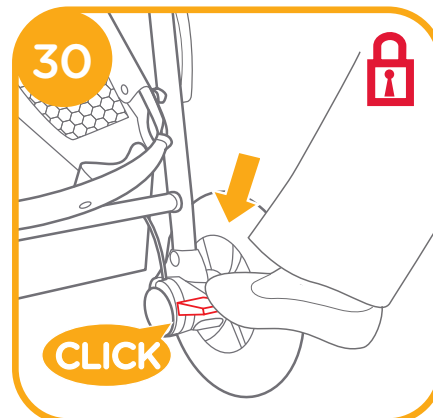
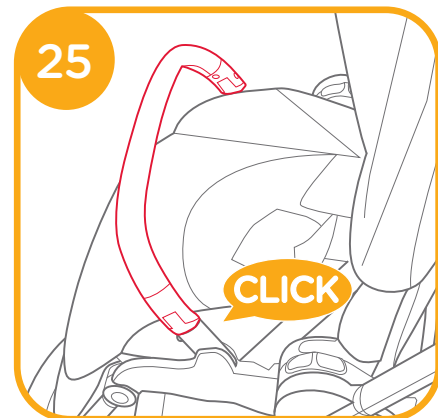
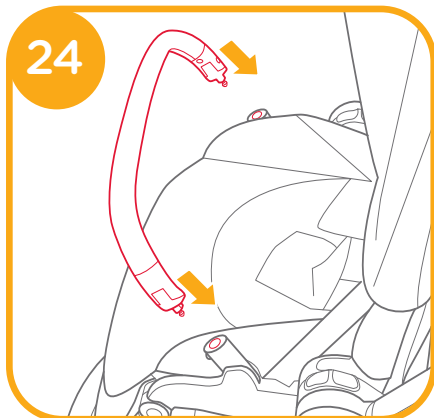
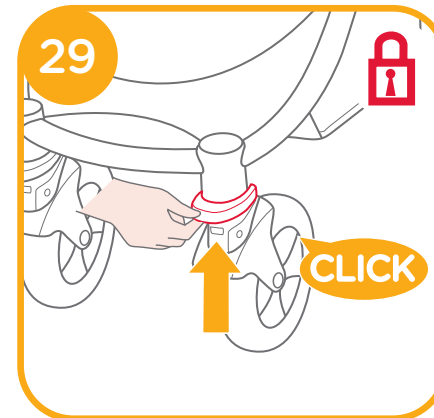
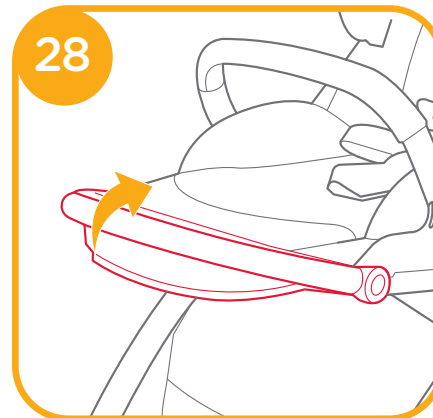
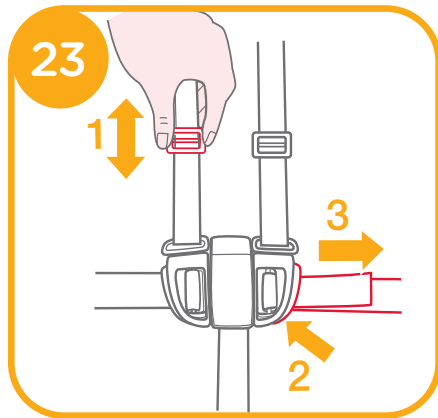
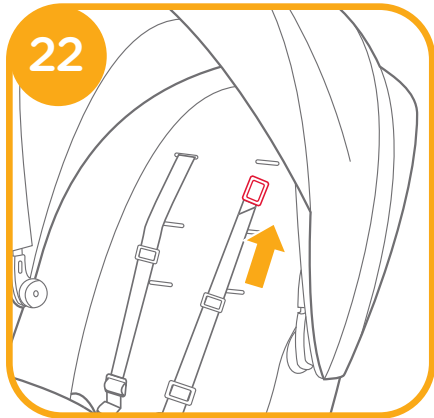


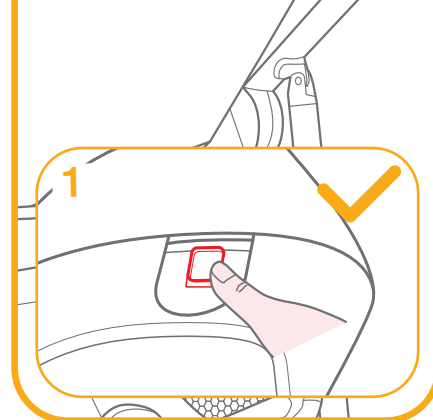
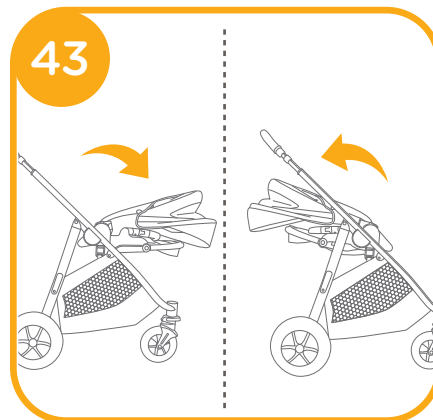
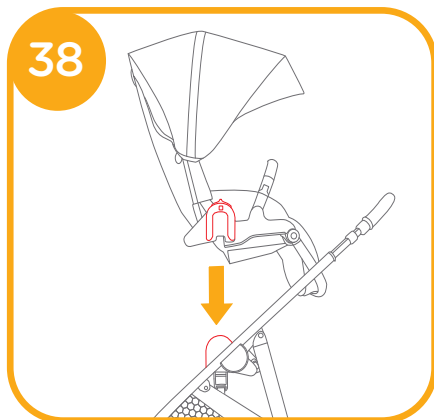
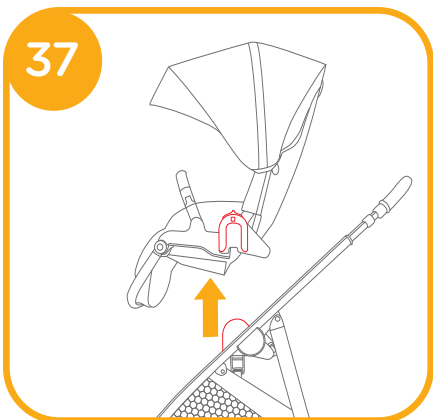
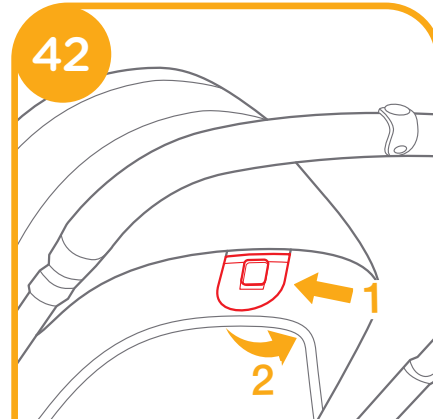
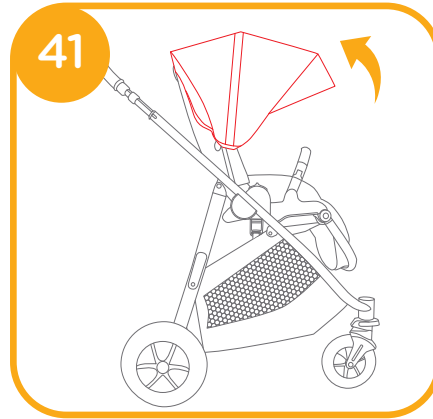
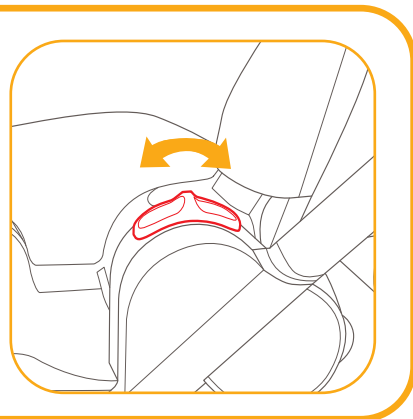
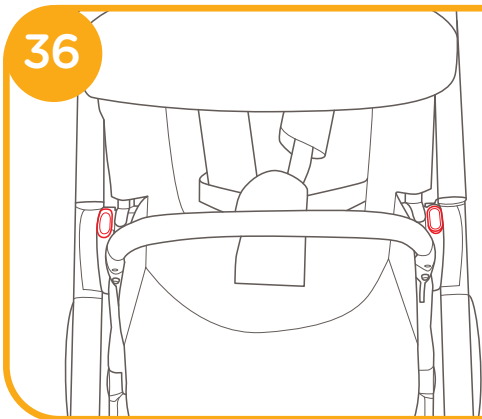
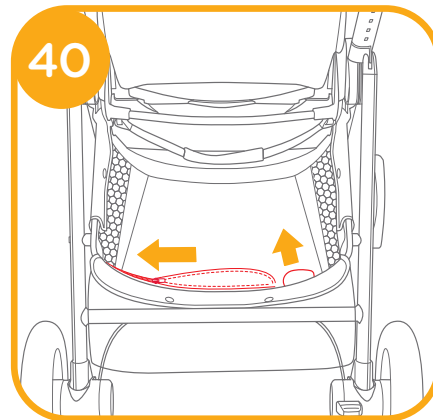
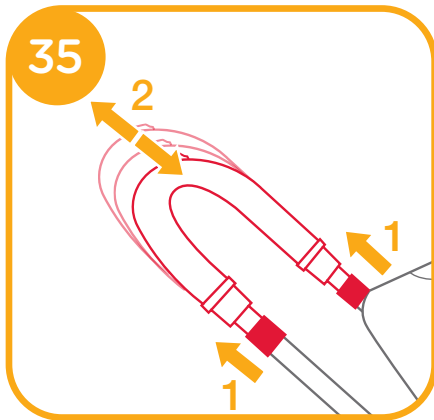
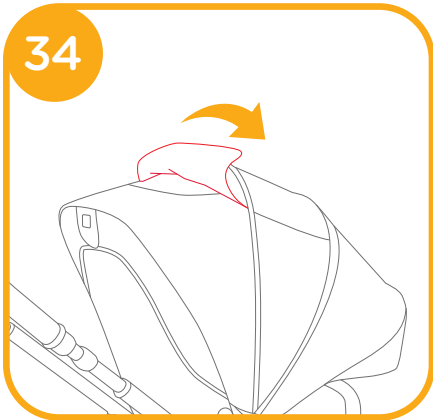
# IMPORTANT - READ CAREFULLY AND KEEP FOR FUTURE REFERENCE. Stroller Assembly

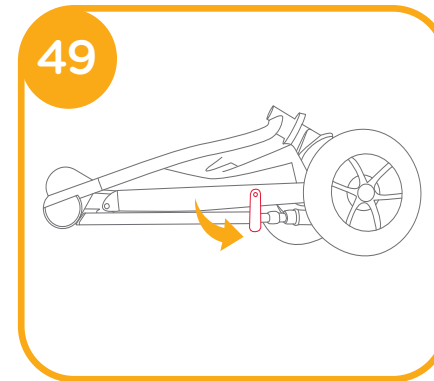
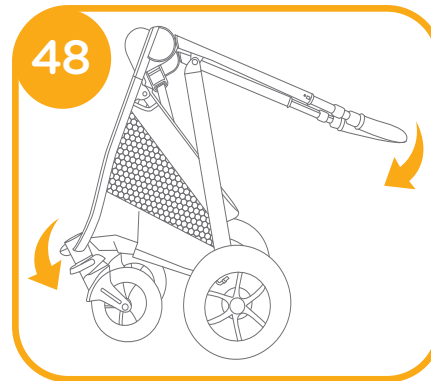
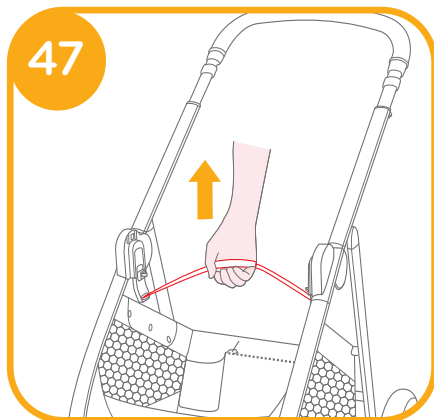
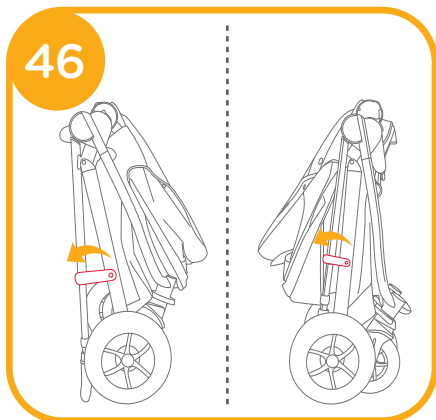
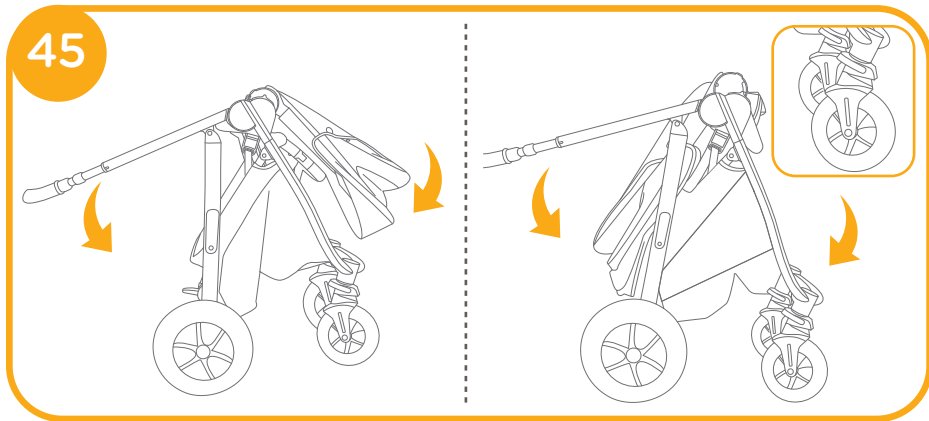
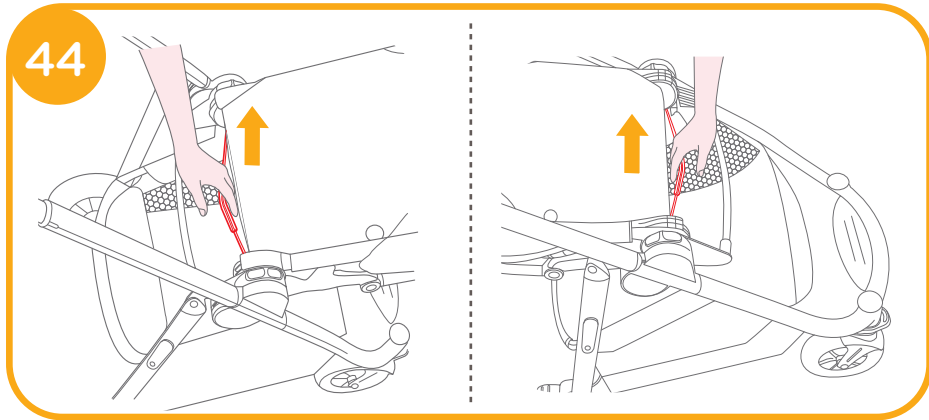


# Stroller Operation



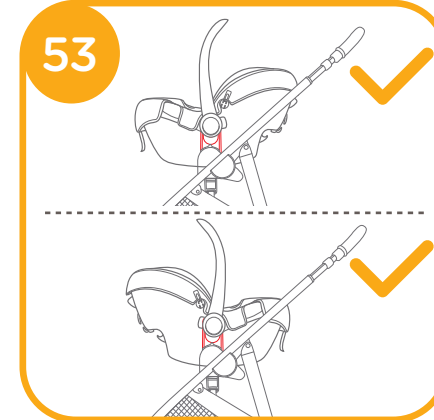
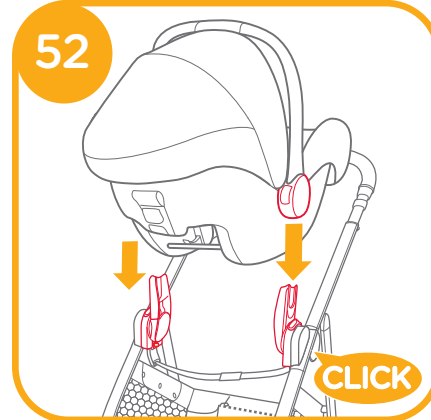
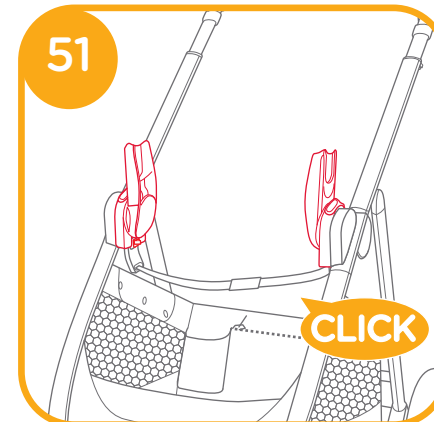
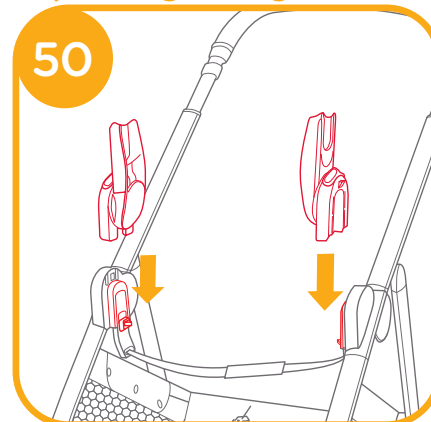


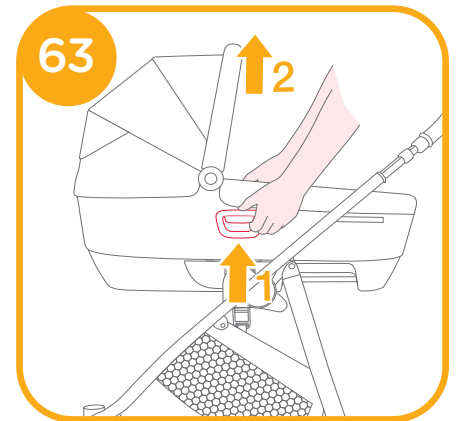
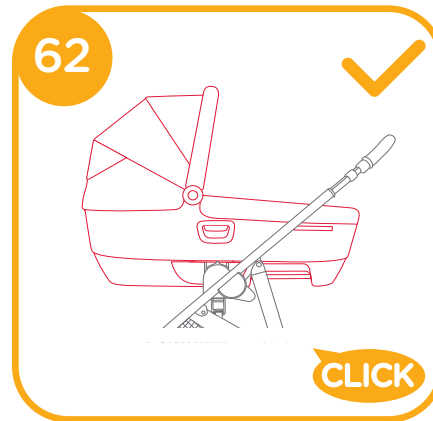
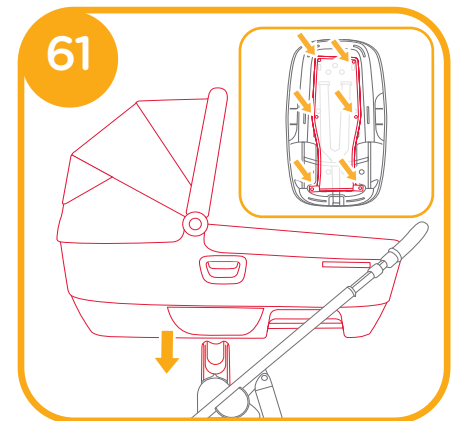
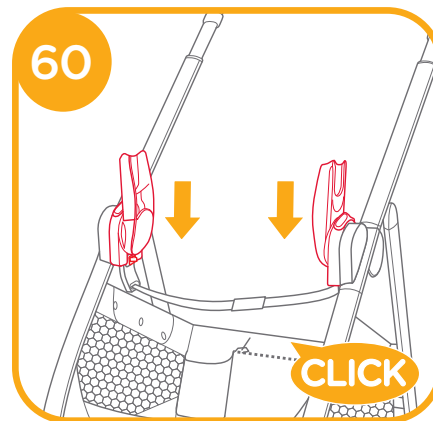
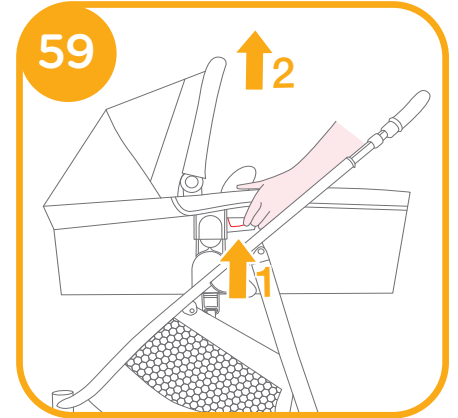
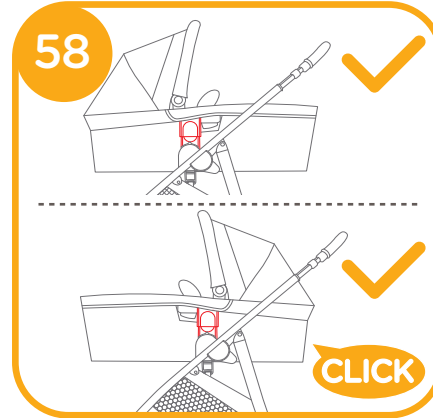
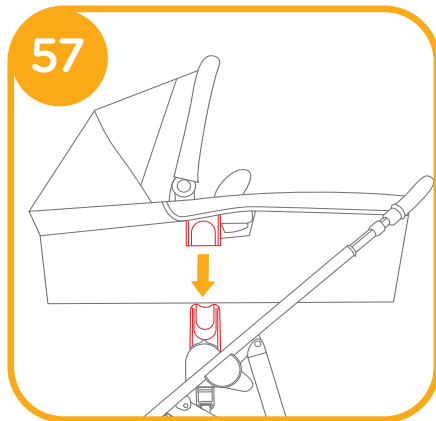
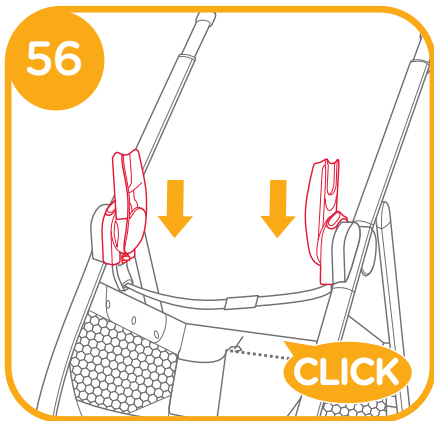
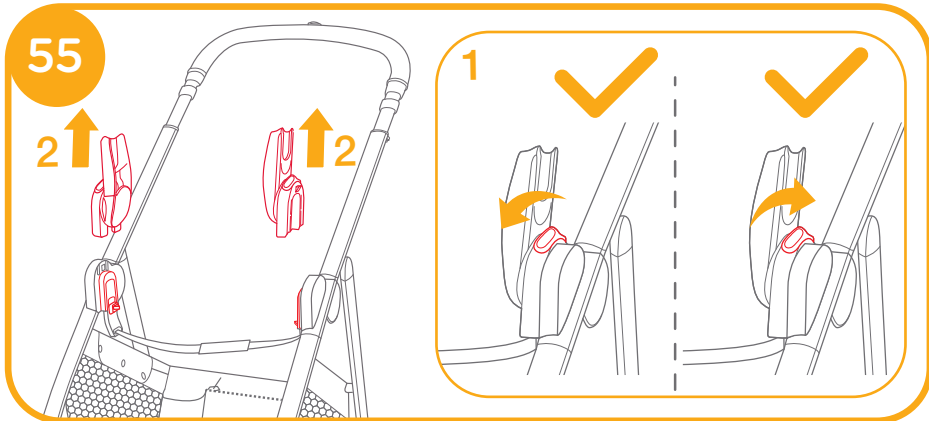
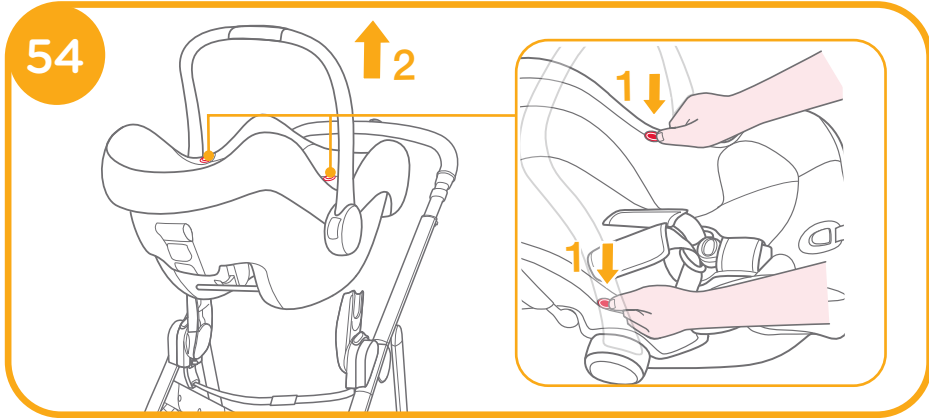


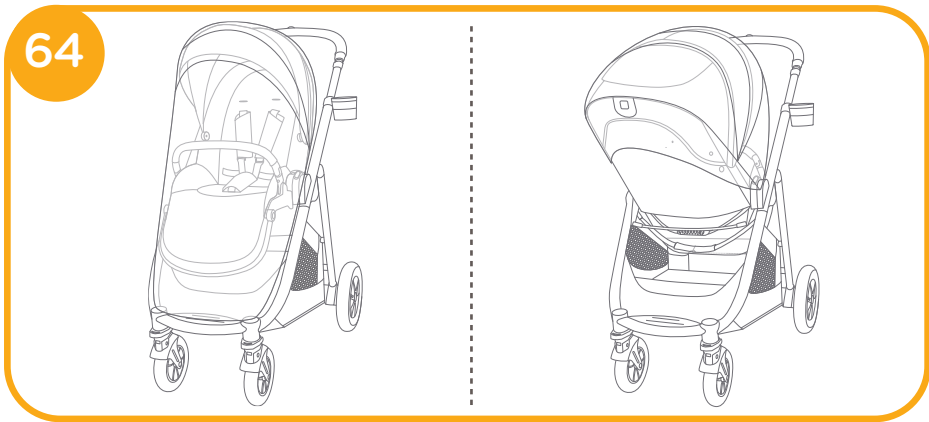


**Accessories (May not be included in purchase)**

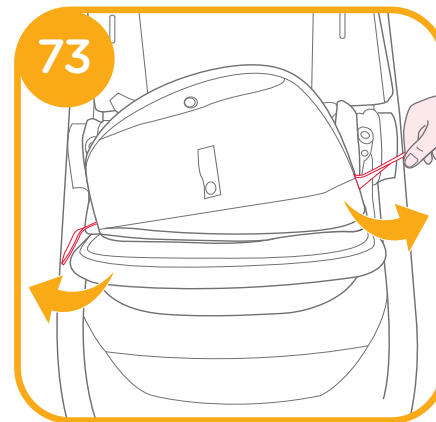
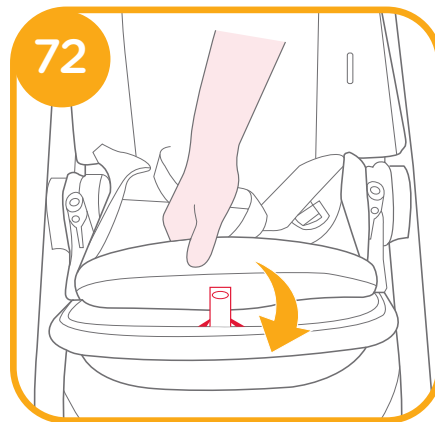
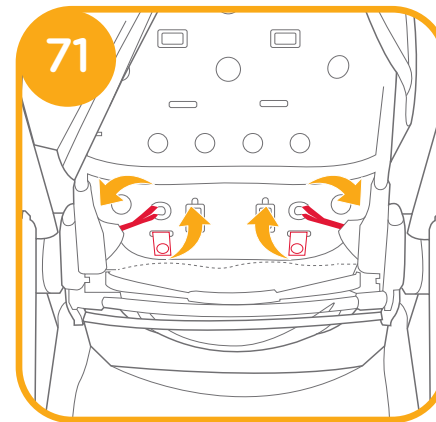
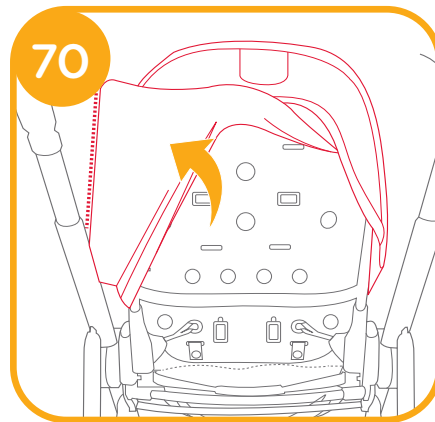
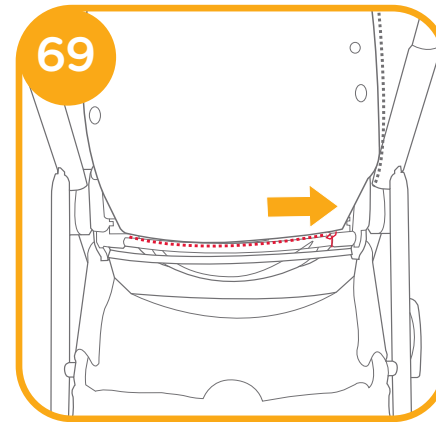
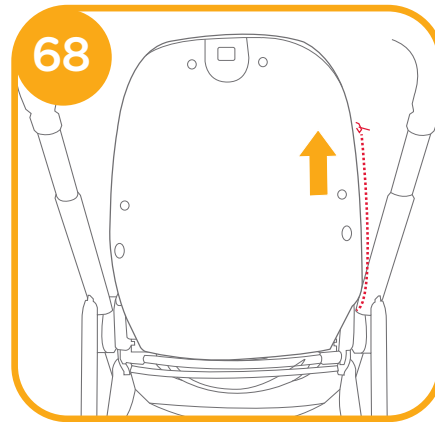
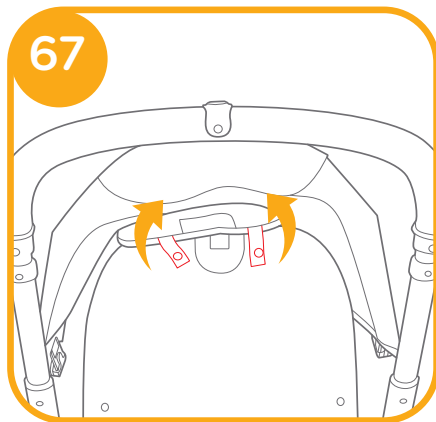
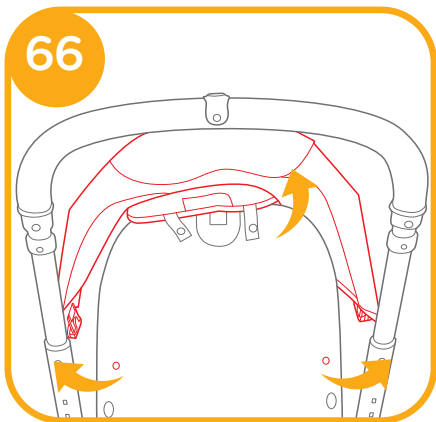
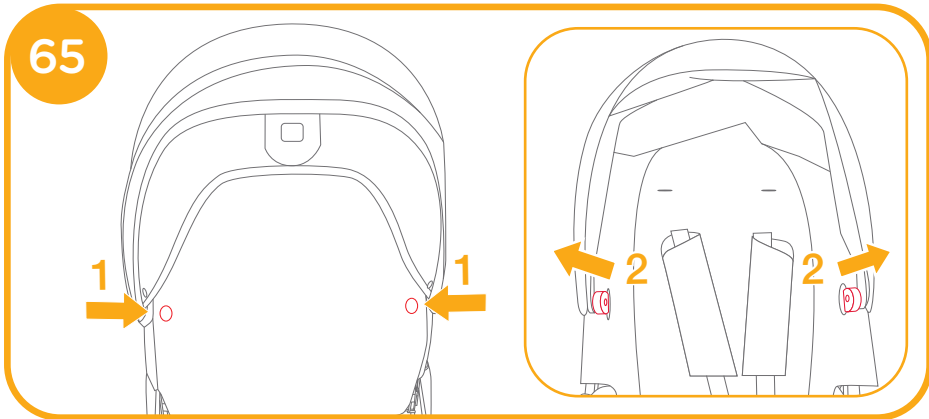
Accessories may be sold separately or may not be available depending on region.



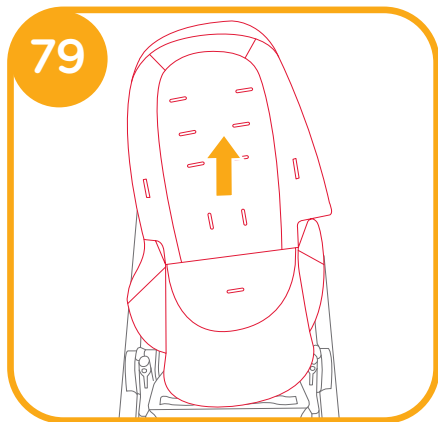
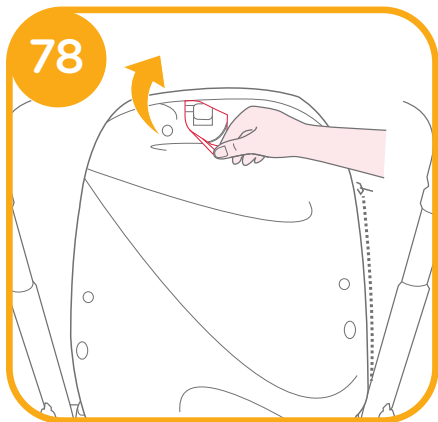
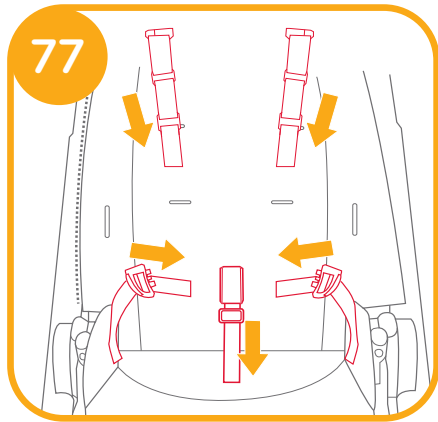
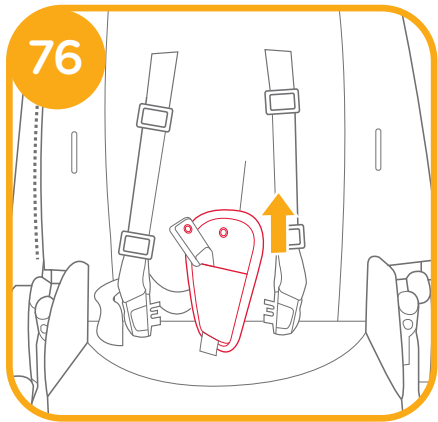
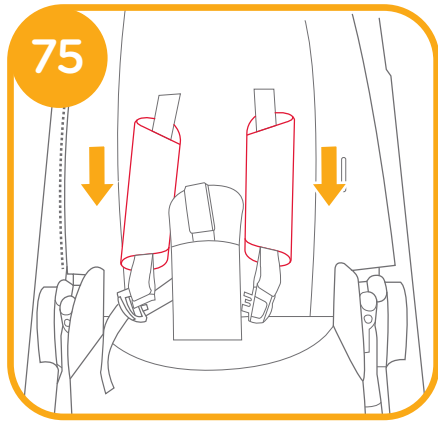
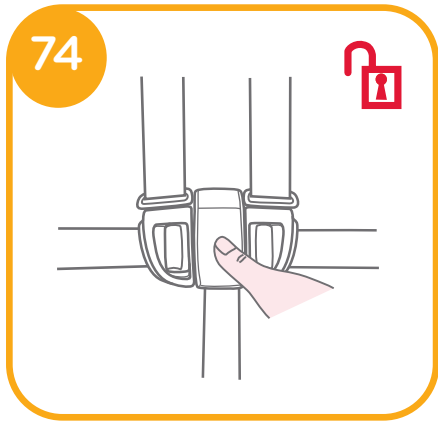




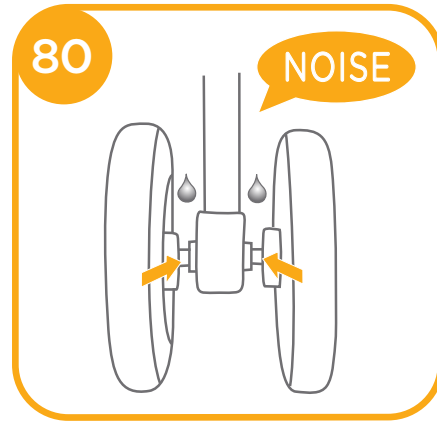
### Detach & Assemble Soft Goods







### Care and Maintenance



## GB Welcome to Joie™

Congratulations on becoming part of the Joie family! We are so excited to be part of your journey with your little one. While traveling with the Joie Versatrax™, you are using a high quality, fully certified stroller, approved to European safety standards EN 1888-2:2018+A1:2022. This product is suitable for children up to 22kg or 4 years whichever comes first. Please carefully read this manual and follow each step to ensure a comfortable ride and best protection for your child.

**IMPORTANT - READ CAREFULLY AND KEEP FOR FUTURE REFERENCE.**

Visit us at [joiebaby.com](http://joiebaby.com) to download manuals and see more exciting Joie products!

For warranty information, please visit our website at [joiebaby.com](http://joiebaby.com)

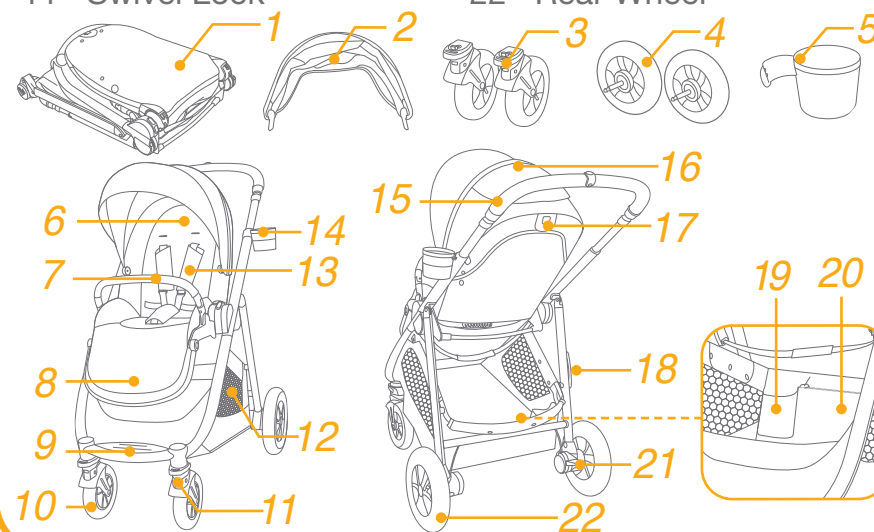
## Emergency

In case of emergency or accident, it is most important to have your child taken care of with first aid and medical treatment immediately.

## Parts List

Make sure all parts are available before assembly. If any part is missing, please contact local retailer. No tools are required for assembly.

- |    |                |    |                  |
|----|----------------|----|------------------|
| 1  | Stroller Frame | 12 | Storage Basket   |
| 2  | Canopy         | 13 | Shoulder Harness |
| 3  | Front Wheel    | 14 | Cupholder        |
| 4  | Rear Wheel     | 15 | Handle           |
| 5  | Cupholder      | 16 | Canopy Window    |
| 6  | Seat Pad       | 17 | Recline Handle   |
| 7  | Armbar         | 18 | Storage Latch    |
| 8  | Calf Support   | 19 | Storage Bag A    |
| 9  | Footrest       | 20 | Storage Bag B    |
| 10 | Front Wheel    | 21 | Brake Lever      |
| 11 | Swivel Lock    | 22 | Rear Wheel       |

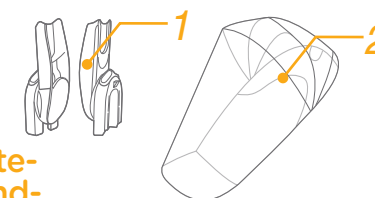


## Accessories

(May not be included)

- 1 Adapter
- 2 Rain Cover

Accessories may be sold separately or may not be available depending on region.



## WARNING

- ! WARNING Never leave the child unattended.
- ! WARNING Ensure that all the locking devices are engaged before use.
- ! WARNING To avoid injury ensure that the child is kept away when unfolding and folding this product.
- ! WARNING Do not let the child play with this product.
- ! WARNING Always use the restraint system.
- ! WARNING Check that the pram body or seat unit or car seat attachment devices are correctly engaged before use..
- ! This product is not suitable for running or skating.
- ! Use the stroller with a child weighing less than 22kg. It will cause damage to the stroller with an unfitted child.
- ! Pushchair designed to be used from birth shall recommend the use of the most reclined position for new born babies.
- ! The parking device shall be engaged when placing and removing children.
- ! To prevent a hazardous, unstable condition, do not place more than 4.5kg in the storage basket.
- ! The maximum recommended weight in the cupholder is 1lbs (0.5kg).
- ! Use the stroller with only one child at a time.
- ! Do not attach items to the handle, seat back or sides of the stroller. Any additional load will affect the stability of the stroller and could cause the stroller to tip.
- ! Any load attached to the handle and/or on the back of the backrest and/or on the sides of the stroller will affect the stability of the stroller.
- ! Accessories which are not approved by the manufacturer shall not be used. Only replacement parts supplied or recommended by the manufacturer shall be used.
- ! For infant child restraints used in conjunction with a chassis, this vehicle does not replace a cot or a bed. Should your child need to sleep, then it should be placed in a suitable pram body, cot or bed.
- ! To avoid suffocation, remove plastic bag and packaging materials before using this product. The plastic bag and pack-

- aging materials should then be kept away from babies and children.
- ! The Carry cot shall not be used, as soon as the child is able to sit by himself, roll over and can push itself up on its hands and knees. Maximum weight of the child: 9 kg.
- ! No additional mattress shall be added unless recommended by the manufacturer.
- ! Adult assembly required.
- ! Please read all the instructions in the manual before using the product. Please save instruction manual for future use. Failure to follow these warnings and instructions may result in serious injury or death.
- ! To avoid serious injury from falling or sliding out, always use seat belt.
- ! Make sure your child's body is clear from the moving parts when adjusting the stroller.
- ! Never use stroller on stairs or escalators.
- ! Keep away from high temperature objects, liquids, and electronics.
- ! Never place the stroller on roads, slopes or dangerous areas.
- ! To avoid strangulation, DO NOT place items with a string around your child's neck, suspend strings from this product, or attach strings to toys.
- ! DO NOT use storage basket as a child carrier.
- ! To avoid finger entrapment, use care when folding and unfolding the stroller.
- ! To ensure your child's safety, please make sure all parts are assembled and fastened properly before using the stroller.
- ! To avoid strangulation, do make sure your child is clear from the canopy.
- ! Always engage the brakes when parking the stroller.
- ! Discontinue using stroller if it is damaged or broken.
- ! To avoid burns, never put hot liquids in your cupholder.
- ! This product is suitable for children up to 22kg or 4 years whichever comes first.

## Stroller Assembly

(Please refer to figures on page 1-16)

Please read all the instructions in this manual before assembling and using this product.

### Open Stroller

see images ① - ③

Separate storage latch from storage mount ①, and then lift the handle upwards ②, a click sound means the stroller is open completely.

! Check that the stroller is completely latched before continuing to use.

! Please do not press the calf support while opening the backrest. ③ - ① If do it, please benchmark ④② to fold the backrest and reopen it.

### Assemble & Detach Front Wheel

see images ④ - ⑤

### Assemble & Detach Rear Wheel

see images ⑥ - ⑦

### Assemble Canopy

see images ⑧ - ⑩

### Assemble & Detach Cupholder

see images ⑪ - ⑫

The completely assembled stroller is shown as ⑬

## Stroller Operation

### Adjust Backrest

see images ⑭ - ⑮

There are 4 recline angles for the backrest.

#### Raise Backrest

To raise the backrest, rotate the recline handle on the back of the seat, pull up on the backrest. ⑭

#### Recline Backrest

To recline the backrest, rotate the recline handle on the back of the seat, pull down on the backrest. ⑮

! Please do not press the releasing button ⑭ - ③&⑮ - ③ on the middle of the recline handle when adjusting the angle for the recline.

! Make sure the recline is set properly for use.

### Use Buckle

see images ⑯ - ⑰

#### Release Buckle

Press the center button to release the buckle. ⑯

#### Lock Buckle

Match the waist belt buckle with the shoulder buckle ⑰ - ①, and click into the center buckle. ⑰ - ② A “click” sound means the buckle is locked completely. ⑰ - ③

! To avoid serious injury from falling or sliding out, always secure your child with harness.

! Make sure your child is snugly secured. The space between the child and the shoulder harness is about the thickness of one hand.

! Do not cross the shoulder belts. This will cause pressure on a child's neck.

## Use Shoulder & Waist Harnesses

see images 18 - 23

! In order to protect your child from falling out, after your child is placed into the seat, check whether the shoulder and waist harnesses are at proper height and length.

18 - 1 Shoulder harness anchor A

18 - 2 Shoulder harness anchor B

18 - 3 Slide adjuster

For larger child, use shoulder harness anchor A and the highest shoulder slots. For smaller child, use shoulder harness anchor B and the lowest shoulder slots.

To adjust the position of the shoulder harness anchor, turn the anchor to be level with the side facing forward. Thread it through the shoulder harness slot from back to front. 21  
Rethread it through the slot that is closest to child's shoulder height. 22

Use slide adjuster to change the harness length. 23 - 1

Press the button 23 - 2, while pulling the waist harness to proper length. 23 - 3

## Use Armbar

see images 24 - 26

## Adjust Calf Support

see images 27 - 28

The calf support has 2 positions.

To lower calf support, press the adjustment buttons on both sides of the calf support 27 - 1, and rotate the calf support downwards. 27 - 2

To raise the calf support, push it upwards. A "click" sound means the calf is locked completely.

## Use Front Swivel Lock

see image 29

Push up the front swivel locks to maintain the moving direction. 29

**Tip** It is recommended to use swivel locks on uneven surfaces.

## Use Brake

see images 30 - 31

To lock wheels, step the brake lever downwards. 30

To release wheels, just lift the brake lever upwards. 31

**Tip** Always set the parking brake when stroller is not moving.

## Use Canopy

see images 32 - 34

The canopy can be opened completely to protect your child from the sun uttermostly, just unzip the zip 33, and then pull the canopy toward front.

## Adjust Handle

see image 35

## Switch Seat

see images 36 - 39

## Use Storage Bag

see image 40

The maximum load of Storage Bag A and B is 0.45kg.

## Fold Stroller

see images 41 - 49

- ! The button on the middle of the recline handle is used for folding the seat. 42 - 1
- ! The stroller can stand when the handle is in the highest position. 46
- ! The storage latch will automatically hook onto the storage mount, then the stroller is folded and locked completely. 46 49

## Use Accessories

Accessories may be sold separately or may not be available depending on region.

## Use with Infant Child Restraint

see images 50 - 55

When using with Joie infant child restraint i-Snug 2 & i-Gemm 3 & i-Level Recline & i-Jemini & Gemm please refer to the following instructions.

- ! A “click” sound means the adapter is locked completely.
- ! If you have any problems about using the infant child restraint, please refer to their own instruction manuals.
- ! Please do not fold the stroller when the infant child restraint is still attached.

## Use Ramble, Ramble XL Carry Cot

see images 56 - 59

When using with Joie ramble, ramble xl carry cot, please refer to the following instructions.

- ! A “click” sound means the adapter is locked completely.
- ! Always use the mattress when using the carry cot.

! If you have any problems about using the carry cot, please refer to their own instruction manuals.

! Please do not fold the stroller when the carry cot is still attached.

## Use Calmi Carry Cot

see images 60 - 63

When using with Joie calmi carry cot, please refer to the following instructions.

- ! A “click” sound means the adapter is locked completely.
- ! Always use the mattress when using the carry cot.
- ! Please check that the mesh at the bottom of the carry cot is properly fixed before installing carry cot
- ! If you have any problems about using the carry cot, please refer to their own instruction manuals.
- ! Please do not fold the stroller when the carry cot is still attached.

## Use Rain Cover

see image 64

To assemble the rain cover, place it over the seat.

- ! When using the rain cover, please always check its ventilation.
- ! When not in use, please check that the rain cover has been cleaned and dried before folding.
- ! Do not fold the stroller after assembling the rain cover.
- ! Do not place your child into the stroller assembled with rain cover during hot weather.

## Detach & Assemble Soft Goods

see images 65 - 79

Remove armbar shown as 26

To re-assemble seat soft goods, follow the steps above in reverse 79 - 65

## NOTE

## Cleaning and Maintenance

see image 80

- ! To clean stroller frame, use only household soap and warm water. No bleach or detergent. Please refer to the care label for instructions on cleaning the fabric parts of the stroller.
- ! Removable soft goods can be washed by machine. No bleach. Do not twist the seat cover and inner padding to dry with great force. It may leave the seat cover and inner padding with wrinkles.
- ! From time to time, check your stroller for loose screws, worn parts, torn material or stitching. Replace or repair the parts as needed. Periodically wipe clean plastic parts with a soft damp cloth. Always dry the metal parts to prevent the formation of rust if the stroller has come into contact with water.
- ! Excessive exposure to sun or heat could cause fading or warping of parts.
- ! If stroller becomes wet, open canopy and allow to dry thoroughly before storing.
- ! If wheels squeak, use a light oil (e.g., Silicon Spray, antirust oil, or sewing machine oil). It is important to get the oil into the axle and wheel assembly. 80
- ! When using your stroller at the beach or other sandy/dusty environments, completely clean your stroller after use to remove sand and salt from mechanisms and wheel assemblies.

## FR Bienvenue dans l'univers de Joie™

Félicitations, vous faites désormais partie de la famille Joie ! Nous avons hâte de vous accompagner dans vos balades avec votre bébé. En choisissant la poussette Versatrax™ de Joie, vous utilisez un produit de haute qualité, certifié par un laboratoire agréé indépendant et conforme aux normes européennes de sécurité EN 1888-2:2018+A1:2022. Ce produit convient aux enfants aux enfants de la naissance à 22kg (4 ans env.). Veuillez lire attentivement et suivre chaque étape de ce mode d'emploi pour garantir le confort et la meilleure protection de votre enfant lors de vos déplacements.

**IMPORTANT. A LIRE ATTENTIVEMENT ET A CONSERVER POUR CONSULTATION ULTERIEURE.**

Rendez-vous notre site [joiebaby.com](http://joiebaby.com) si vous avez besoin d'informations complémentaires ou pour télécharger des manuels d'instructions et découvrir d'autres produits intéressants de la marque Joie!

Pour plus d'informations sur la garantie, veuillez consulter notre site Web à l'adresse suivante: [www.joiebaby](http://www.joiebaby)

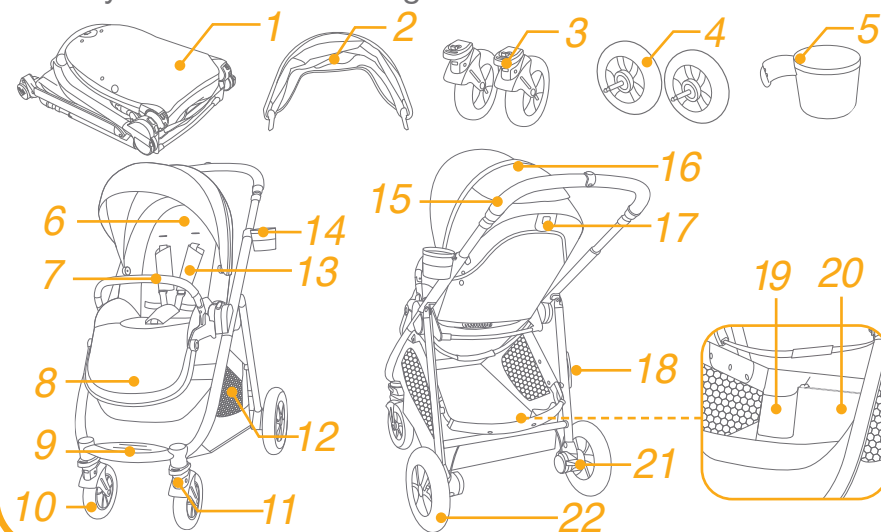
## En cas d'urgence

En cas d'urgence ou d'accident, il est très important de prendre immédiatement soin de votre enfant en lui prodiguant les soins de premiers secours puis en le faisant examiner par un médecin.

## Liste des pièces

Assurez-vous que toutes les pièces sont présentes avant le montage. Si une pièce est manquante, contactez votre revendeur local. Le montage ne nécessite aucun outil.

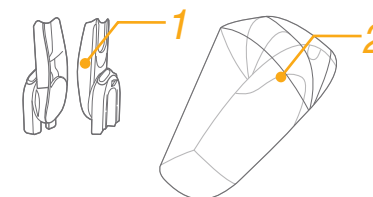
- |    |                         |    |                             |
|----|-------------------------|----|-----------------------------|
| 1  | Châssis                 | 12 | Panier de rangement         |
| 2  | Capote                  | 13 | Harnais d'épaules           |
| 3  | Roue avant              | 14 | Porte-gobelet               |
| 4  | Roue arrière            | 15 | Poignée                     |
| 5  | Porte-gobelet           | 16 | Fenêtre de la capote        |
| 6  | Assise de siège         | 17 | Poignée d'inclinaison       |
| 7  | Barre de retenue        | 18 | Point de fixation du panier |
| 8  | Repose-jambes           | 19 | Panier de rangement A       |
| 9  | Repose-pieds            | 20 | Panier de rangement B       |
| 10 | Roue avant              | 21 | Pédale de frein             |
| 11 | Système de verrouillage | 22 | Roue arrière                |



## Accessoires

(Peuvent ne pas être inclus)

- |   |                    |
|---|--------------------|
| 1 | Adaptateur         |
| 2 | Habillage de pluie |



Les accessoires peuvent être vendus séparément ou ne pas être disponibles selon la région.



# AVERTISSEMENTS

- ! AVERTISSEMENT : Ne jamais laisser l'enfant sans surveillance
- ! AVERTISSEMENT : S'assurer que tous les dispositifs de verrouillage sont enclenchés avant utilisation
- ! AVERTISSEMENT : Pour éviter toute blessure, maintenir votre enfant à l'écart lors du dépliage ou du pliage du produit
- ! AVERTISSEMENT : Ne pas laisser votre enfant jouer avec ce produit
- ! AVERTISSEMENT: Toujours utiliser le système de retenue.
- ! AVERTISSEMENT : Ce produit ne convient pas pour faire du jogging ou des promenades en rollers.
- ! AVERTISSEMENT : Vérifier que les dispositifs de fixation de la nacelle, du siège ou du siège-auto sont correctement enclenchés avant utilisation
- ! AVERTISSEMENT : Assurez-vous que le dispositif de blocage à l'arrêt est enclenché lorsque l'on place l'enfant dans le véhicule ou qu'on l'en sort.
- ! AVERTISSEMENT : Ne pas utiliser d'accessoires qui ne sont pas approuvés par le fabricant.
- ! AVERTISSEMENT : Seules les pièces de rechange fournies ou recommandées par le fabricant/distributeur doivent être utilisées.
- ! AVERTISSEMENT : Toute charge attachée au pousoir et/ou à l'arrière du dossier et/ou sur les côtés du véhicule peut influencer sur la stabilité du véhicule
- ! AVERTISSEMENT : Ce véhicule ne remplace pas un couffin ou un lit. Lorsque l'enfant a besoin de dormir il convient de le placer dans une nacelle, un couffin ou un lit approprié
- ! AVERTISSEMENT : S'assurer que les dispositifs de fixation du cadre de la poussette et du siège sont correctement enclenchés avant utilisation.
- ! Utilisez cette poussette avec un enfant qui pèse moins de 22kg (4ans env.). L'utilisation avec un enfant plus lourd et plus grand peut endommager la poussette.
- ! Cette poussette est conçue pour une utilisation avec un seul enfant à la fois et convient aux enfants de la naissance à 22kg.

- ! Il est conseillé d'utiliser la poussette avec le dossier dans sa position la plus inclinée pour les nouveaux-nés.
- ! L'assemblage doit être réalisé par un adulte.
- ! Pour éviter le coincement des doigts, faites attention lors du pliage et du dépliage de la poussette.
- ! Assurez-vous que la poussette est complètement ouverte ou pliée avant de laisser un enfant à proximité de la poussette.
- ! Pour empêcher tout basculement, ne laissez jamais l'enfant monter seul dans la poussette. Il faut toujours installer et sortir vous-même l'enfant de la poussette.
- ! Assurez-vous que le corps de l'enfant est exempt des pièces mobiles lors du réglage de la poussette.
- ! Surchargée, mal pliée et utilisée avec des accessoires non homologués par le fabricant, la poussette pourrait s'endommager ou se casser.
- ! Ne placez pas des sacs à main, des sacs de courses, des colis ou autres accessoires sur la poignée ou sur la capote.
- ! Pour éviter des situations instables ou dangereuses, ne rangez pas plus de 4.5kg dans le panier.
- ! Le poids maximum recommandé dans le porte-gobelet est de 0.5kg
- ! Utilisez toujours le système de retenue pour éviter que l'enfant ne se blesse en tombant ou en glissant du siège. L'enfant peut glisser en sous marinage par les ouvertures des jambes et être étranglé si le harnais n'est pas attaché.
- ! N'utilisez jamais la poussette dans des escaliers ou escaliers mécaniques. Lorsque vous montez ou descendez des escaliers ou des escalators, sortez toujours votre enfant de la poussette et pliez-la.
- ! NE placez pas dans la poussette des objets chauds, des liquides ou des appareils électroniques. Ne placez pas la poussette à proximité d'une source de chaleur.
- ! NE jamais laisser votre enfant se tenir debout sur la poussette ou s'asseoir avec la tête vers l'avant.
- ! NE jamais stationner la poussette sur la route, dans une pente ou dans un endroit ou zones dangereuses.
- ! Activer toujours le système de freinage lorsque vous stationnez la poussette.

- ! NE lâchez pas votre poussette à proximité des routes ou des voies ferrées, même si le frein est serré, car l'appel d'air dû au passage d'une voiture ou d'un train pourrait la déplacer.
- ! NE levez pas la poussette lorsque l'enfant se trouve dans la poussette.
- ! N'utilisez pas le panier de rangement comme porte-bébé.
- ! Pour éviter tout risque d'étranglement, ne placez AUCUN objet avec une ficelle autour du cou de votre enfant, ne suspendez aucune ficelle à ce produit, et n'attachez aucune ficelle aux jouets.
- ! Pour éviter tout risque d'étouffement, enlevez le sac en plastique et les matériaux d'emballage avant d'utiliser ce produit. Le sac en plastique et les matériaux d'emballage doivent être conservés hors de portée des bébés et des enfants.
- ! L'utilisateur doit assurer l'entretien régulier de cette poussette. La poussette doit être contrôlée après une longue période d'inutilisation.
- ! Arrêtez d'utiliser la poussette si elle est endommagée ou cassée.
- ! La nacelle convient à un enfant qui ne peut pas se tenir assis seul, ni se retourner et se relever sur ses mains et ses genoux. Ce produit convient aux enfants dont le poids maximum est de 9 kilos.
- ! N'utilisez pas, ni ajoutez un matelas autre que celui fourni avec la nacelle.
- ! Veuillez lire toutes les instructions du manuel avant d'utiliser ce produit.
- ! Veuillez conserver le mode d'emploi pour consultation ultérieure. Le non-respect des avertissements et instructions peut entraîner des blessures graves ou mortelles.
- ! Si la poussette est utilisée par des personnes qui ne la connaissent pas, comme les grands-parents par exemple, montrez-leur comment elle fonctionne et donnez-leur à lire le manuel d'instructions.

## Assemblage de la poussette

(Veuillez consulter les figures en page 1-15)

Lisez toutes les instructions du présent manuel avant d'assembler et d'utiliser ce produit.

### Ouverture de la poussette

voir images ① - ③

Séparez le loquet de fermeture du support ① et puis levez la poignée en haut ②, un clac signifie que la poussette est maintenant complètement ouverte.

! Vérifiez que la poussette est complètement verrouillée avant de poursuivre.

! Veuillez ne pas appuyer sur le repose-mollets en ouvrant le dossier. ③ - 1 Si vous le faites, veuillez prendre pour repère ④ pour plier le dossier et le réouvrir.

### Assemblage et retrait des roues avant

voir images ④ - ⑤

### Assemblage et retrait des roues arrière

voir images ⑥ - ⑦

### Assemblage de la capote

voir images ⑧ - ⑩

### Assemblage et retrait du porte-gobelet

voir images ⑪ - ⑫

La poussette complètement assemblée est illustrée ⑬

## Utilisation de la poussette

### Réglage du dossier

voir images 14 - 15

Le dossier du siège se règle sur 4 positions.

Pour relever le dossier, actionnez la poignée d'inclinaison du siège, relevez le dossier à l'inclinaison que vous souhaitez. 14

Pour incliner le dossier, actionnez la poignée d'inclinaison qui est située sur le dos du siège et inclinez le dossier vers le bas.

15

! Veuillez ne pas appuyer sur le bouton de déverrouillage 14 - 3 & 15 - 3 au milieu de la poignée d'inclinaison lors du réglage de l'angle de l'inclinaison.

! L'inclinaison doit être réglée correctement avant utilisation.

### Utilisation de la boucle de ceinture

voir images 16 - 17

Déverrouillage de la boucle

Appuyez sur le bouton central pour déverrouiller la boucle. 16

Verrouillage de la boucle

Faites correspondre la boucle de la ceinture pour la taille avec la boucle d'épaules 17 - 1, puis enclenchez dans la boucle centrale. 17 - 2 Vous entendrez un « clic » signifiant que la boucle est complètement verrouillée. 17 - 3

! Attachez toujours votre enfant avec un harnais pour éviter que l'enfant ne se blesse en tombant ou en glissant du siège.

! Vérifiez que votre enfant est bien attaché. L'espace entre l'enfant et le harnais pour épaules doit faire environ l'épaisseur d'une main.

! Ne croisez pas les ceintures d'épaules. Cela pourrait entraîner une tension sur le cou de l'enfant et le blesser.

## Utilisation des harnais au niveau des épaules et de la ceinture

voir images 18 - 23

! Pour protéger votre enfant de tomber, vérifiez que les harnais d'épaules et de taille sont à la bonne hauteur et la bonne longueur une fois l'enfant placé dans le siège.

18 - 1 Boucle A du harnais pour les épaules

18 - 2 Boucle B du harnais pour les épaules

18 - 3 Boucle pour faire coulisser la sangle et la régler à bonne hauteur

Pour un enfant plus grand, utilisez la boucle A du harnais pour les épaules et faites coulisser le dispositif de réglage de la sangle vers le haut. Pour un enfant plus petit, utilisez la boucle B du harnais pour les épaules et faites coulisser le dispositif de réglage de la sangle vers le bas.

Pour régler la position du point d'ancrage du harnais d'épaules, retournez l'œillet face avant de manière à être au même niveau. Le passer à travers la fente du harnais d'épaules, de l'arrière vers l'avant. 21 Enfilez-le à nouveau dans l'emplacement le plus proche de la hauteur des épaules de l'enfant. 22

Utilisez le dispositif d'ajustement coulissant pour modifier la longueur du harnais. 23 - 1

Appuyez sur le bouton 23 - 2, tout en tirant sur le harnais au niveau de la ceinture jusqu'à la longueur souhaitée. 23 - 3

## Utilisation de la barre de jambes

voir images 24 - 26

### Réglage du repose-jambes

voir images 27 - 28

Le repose-jambes se règle sur 2 positions.

Pour abaisser le repose-jambes, appuyez sur les boutons qui sont situés sur les deux côtés 27 - 1, puis abaissez-le. 27 - 2

Pour remonter le repose-jambes, poussez-le vers le haut. Vous entendrez un « clic » signifiant que le repose-jambes est complètement verrouillé.

## Utilisation du système de verrouillage des roues avant

voir images 29

Pour bloquer les roues, il suffit de remonter le loquet de verrouillage qui se trouve sur chacune des roues avant. 29

**Conseil** Il est recommandé de bloquer les roues avant sur les surfaces irrégulières.

## Utilisation du frein

voir images 30 - 31

Pour stopper la poussette, appuyez sur la pédale de frein. 30

Pour libérer les roues, relevez la pédale de frein avec votre pied. 31

**Conseil** Mettez toujours le frein lorsque la poussette est à l'arrêt.

## Utilisation de la capote

voir images 32 - 34

La capote se plie et se replie d'une main. Pour mieux protéger votre enfant du soleil, ouvrez la fermeture éclair et déployez complètement la capote. 33

## Ajustement du guidon

voir images 35

## Changement de l'orientation du siège

voir images 36 - 39

## Utilisation du panier de rangement

voir images 40

La charge maximale du panier de rangement A et B est de 0,45 kg.

## Pliage de la poussette

voir images 41 - 49

! Le dispositif de bouton au milieu de la poignée d'inclinaison sert à plier le siège. 42 - 1

! La poussette peut se tenir debout lorsque la poignée est dans la position la plus haute. 46

! Le loquet de verrouillage de la poussette s'enclenchera automatiquement sur le support prévu, la poussette est alors pliée et verrouillée complètement. 46 49

## Utilisation des accessoires

Les accessoires peuvent être vendus séparément ou ne pas être disponibles selon la région.

## Utilisation du dispositif de retenue pour bébé (Groupe 0+, coque)

voir images 50 - 55

En cas d'utilisation de la poussette avec une coque Joie i-Snug 2 & i-Gemm 3 & i-Level Recline & i-Jemini & Gemm, veuillez suivre les instructions suivantes.

! Vous entendrez un « clic » signifiant que l'adaptateur est complètement verrouillé.

! Si vous rencontrez des problèmes concernant l'utilisation du dispositif de retenue pour bébé veuillez consulter son manuel d'utilisation.

! Veuillez ne pas plier la poussette lorsque le dispositif de retenue pour bébé est encore attaché.

## Utilisation de la nacelle Ramble, Ramble XL

voir images 56 - 59

En cas d'utilisation avec la nacelle Joie ramble, ramble xl, veuillez consulter les Instructions suivantes.

! Vous entendrez un « clic » signifiant que l'adaptateur est complètement verrouillé.

! Utilisez toujours le matelas avec la nacelle.

- ! Si vous rencontrez des problèmes concernant l'utilisation de la nacelle, veuillez consulter son manuel d'utilisation.
- ! Veuillez ne pas plier la poussette lorsque la nacelle est installée.

## Utilisation de la nacelle

voir les images 60 - 63

Avant d'utiliser le lit auto de Joie calmi, veuillez vous référer aux instructions suivantes.

- ! Vous entendrez un « clic » si l'adaptateur est complètement verrouillé.
- ! Utilisez toujours le matelas lorsque vous utilisez le lit auto.
- ! Veuillez vérifier que le filet au bas du lit auto est bien fixé avant d'installer le lit auto.
- ! Si vous rencontrez des problèmes lors de l'utilisation du lit auto, veuillez consulter son manuel d'instructions.
- ! Veuillez ne pas plier la poussette lorsque le lit auto est toujours attaché.

## Utilisation de l'habillage de pluie

voir images 64

Pour installer l'habillage de pluie, placez-le par-dessus le siège.

- ! Lorsque vous utilisez l'habillage de pluie, vérifiez que l'air circule bien à l'intérieur.
- ! Lorsque l'habillage de pluie n'est pas utilisée, veillez à ce qu'il soit propre et sec avant de le ranger.
- ! Ne pliez pas la poussette lorsque l'habillage de pluie est installé.
- ! Ne placez pas votre enfant dans la poussette avec l'habillage de pluie fixé par temps chaud.

## Installation et retrait des pièces en tissus

voir images 65 - 79

Retirez la barre de retenue comme montré sur le schéma 26

Pour ré-installer les parties en tissus du siège, suivez les étapes ci-dessus dans l'ordre inverse 79 - 65

## Entretien et réparations

voir images 80

- ! Pour nettoyer le cadre de la poussette, utilisez uniquement un produit ménager avec de l'eau chaude. Ne pas utiliser de détergent, eau de javel ou agent blanchissant. Pour les parties en tissu, veuillez vous reporter aux instructions de lavage qui se trouvent sur les étiquettes de contexture.
- ! Les parties en tissu amovibles peuvent être lavées à la machine avec un programme délicat. Ne pas utiliser de détergent, ni d'eau de javel et d'agent blanchissant. Ne pas utiliser de programme d'essorage trop fort. Cela pourrait laisser des plis sur la housse de siège et le rembourrage interne. Il est recommandé de faire sécher les parties en tissu à plat.
- ! Vérifiez régulièrement la poussette pour détecter des vis desserrées, des pièces abîmées, des tissus ou des coutures déchirées. Remplacez ou réparez les pièces endommagées si nécessaire après avoir contacté au préalable votre revendeur. Essuyez de temps à autre les pièces en plastique avec un chiffon doux humide. Séchez toujours les pièces métalliques pour empêcher la formation de rouille si la poussette est entrée en contact avec de l'eau.
- ! L'exposition excessive au soleil ou à la chaleur peut décolorer ou déformer les pièces en tissu.
- ! Si la poussette est mouillée, ouvrez la capote et laissez-la sécher complètement avant de la ranger.
- ! Si les roues grincent, mettez un peu d'huile après avoir pris soin de les nettoyer. Il est important que l'huile pénètre bien dans les essieux des roues. 80
- ! En cas d'utilisation de votre poussette à la plage ou dans des endroits très poussiéreux ou sablonneux, nettoyez-la complètement après utilisation pour enlever le sable et le sel des mécanismes de freinage et des blocs de roues.

## DE Willkommen bei Joie™

Glückwunsch, dass Sie ein Mitglied der Joie-Familie sind! Wir freuen uns, nun ein Teil Ihres Lebens mit Nachwuchs zu sein. Mit dem Joie Versatrax™ nutzen Sie einen erstklassigen und umfassend zertifizierten Kinderwagen, der gemäß dem europäischen Sicherheitsstandard EN 1888-2:2018+A1:2022 zertifiziert ist. Dieses Produkt eignet sich für Kinder bis 22 kg oder 4 Jahre, was auch immer zuerst eintritt. Lesen Sie diese Anleitung sorgfältig durch und beachten Sie die einzelnen Schritte zur Gewährleistung einer komfortablen Fahrt und optimalen Sicherheit für Ihr Kind.

**WICHTIG - HANDBUCH SORGFÄLTIG DURCHLESEN UND FÜR SPÄTERE NUTZUNG AUFBEWAHREN.**

Besuchen Sie uns unter [de.joiebaby.com](http://de.joiebaby.com), um Anleitungen herunterzuladen und weitere tolle Joie-Produkte kennenzulernen!

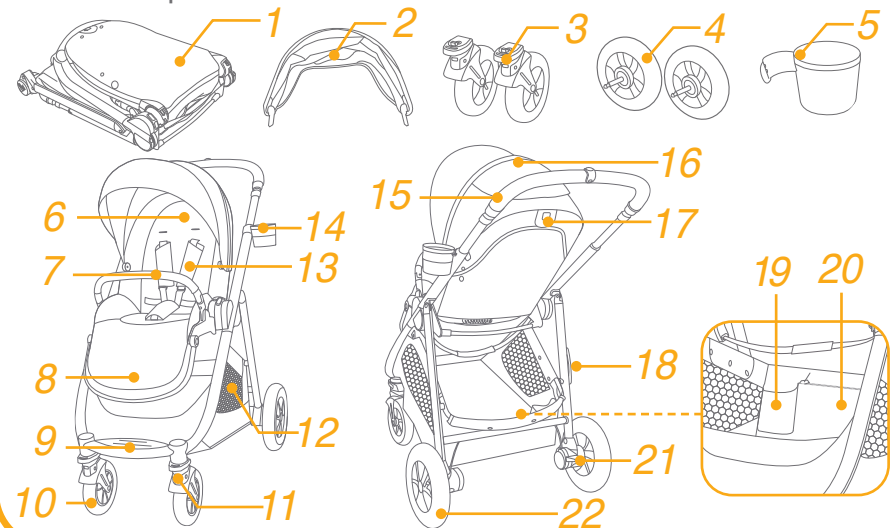
## Notfall

Bei einem Notfall oder Unfall muss Ihr Kind unverzüglich erste Hilfe bekommen und medizinisch versorgt werden.

## Teileliste

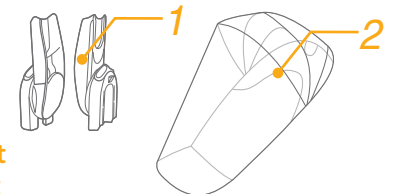
Überprüfen Sie vor der Montage, ob alle Teile vorhanden sind. Falls etwas fehlen sollte, wenden Sie sich an Ihren Händler vor Ort. Für die Montage werden keine Werkzeuge benötigt.

- |    |                    |    |                     |
|----|--------------------|----|---------------------|
| 1  | Kinderwagengestell | 12 | Ablagekorb          |
| 2  | Verdeck            | 13 | Schultergurt        |
| 3  | Vorderrad          | 14 | Getränkehalter      |
| 4  | Hinterrad          | 15 | Schiebebügel        |
| 5  | Getränkehalter     | 16 | Verdeckfenster      |
| 6  | Sitzauflage        | 17 | Neigungsgriff       |
| 7  | Spielbügel         | 18 | Ablageverschluss    |
| 8  | Beinauflage        | 19 | Aufbewahrungsfach A |
| 9  | Fußauflage         | 20 | Aufbewahrungsfach B |
| 10 | Vorderrad          | 21 | Bremshebel          |
| 11 | Lenksperre         | 22 | Hinterrad           |



## Zubehör

- 1 Adapter
- 2 Regenverdeck



Zubehör wird möglicherweise separat verkauft oder ist je nach Region nicht verfügbar.

## WARNHINWEISE

- ! **WARNUNG:** Lassen Sie das Kind nie unbeaufsichtigt.
- ! **WARNUNG:** Prüfen Sie vor dem Gebrauch sorgfältig, ob sämtliche Arretierungsvorrichtungen (z.B. Gelenke, Adapter, Scharniere) ordnungsgemäß eingerastet sind.
- ! **WARNUNG:** Vergewissern Sie sich, dass das Kind beim Aufklappen und Zusammenklappen des Wagens außer Reichweite ist, um Verletzungen zu vermeiden.
- ! **WARNUNG:** Lassen Sie das Kind nicht mit dem Produkt spielen
- ! **WARNUNG:** Geeignet für Kinder bis zu 22 kg oder bis zu 48 Monaten.
- ! **WARNUNG:** Verwenden Sie immer das Rückhaltesystem.
- ! **WARNUNG:** Prüfen Sie vor der Verwendung, ob die Befestigungsvorrichtungen der Babywanne, der Sportsitzeinheit oder der Babyschale korrekt eingerastet sind.
- ! **WARNUNG:** Dieses Produkt ist nicht zum Joggen oder Skaten geeignet
- ! Bei Verwendung für Kinder mit einem Gewicht höher als 22 kg kann der Kinderwagen beschädigt werden.
- ! Neugeborene sollten liegend transportiert werden; kippen Sie dazu die Rückenlehne in die waagrechte Position.
- ! Nutzen Sie die Feststellbremse, wenn Sie das Kind hineinlegen oder herausnehmen.
- ! Um eine gefährliche Instabilität zu vermeiden, beladen Sie den Ablagekorb nicht mit mehr als 4,5 kg.
- ! Die empfohlene Maximalbelastung des Getränkehalters beträgt 0,5 kg.
- ! Legen Sie immer nur jeweils ein Kind in den Kinderwagen.
- ! Jegliche am Griff, an der Rückseite der Rückenlehne oder an den Seiten des Kinderwagens angebrachte Last beeinträchtigt die Stabilität des Kinderwagens.

- ! Verwenden Sie es niemals Ersatzteile von anderen Herstellern. Verwenden Sie nur vom Hersteller gelieferte oder empfohlene Ersatzteile.
- ! Auch wenn ein Kind in diesem Wagen gesichert durch Gurte liegen kann, ist er kein Ersatz für ein Bett. Falls Ihr Kind müde ist, sollten Sie es in einen geeigneten Kinderwagen, ein Gitterbzw. Babybett legen.
- ! Entfernen Sie zur Vermeidung von Erstickungsgefahr den Kunststoffbeutel und sämtliche Verpackungsmaterialien vor dem ersten Einsatz. Halten Sie Kunststoffbeutel und Verpackungsmaterialien von Säuglingen und Kindern fern.
- ! Die Babywanne eignet sich nur für Kinder, die nicht selbstständig sitzen, sich drehen und/oder mit Händen und Knien abstützen können. Maximalgewicht des Kindes: 9 kg.
- ! Verwenden Sie nur die mit der Babywanne gelieferte Matratze; fügen Sie KEINE weitere Matratze hinzu.
- ! Der Zusammenbau muss von einem Erwachsenen durchgeführt werden.
- ! Lesen Sie alle Hinweise in dieser Anleitung, bevor Sie das Produkt verwenden. Bewahren Sie die Anleitung zum späteren Nachschlagen auf. Die Nichtbeachtung dieser Warnhinweise könnte zu schweren oder tödlichen Verletzungen führen.
- ! Verwenden Sie stets den Sicherheitsgurt, um Verletzungen durch Herausfallen oder Herausrutschen zu vermeiden.
- ! Achten Sie bei den Einstellungen am Kinderwagen darauf, dass der Körper Ihres Kindes nicht mit den beweglichen Teilen in Kontakt kommt.
- ! Transportieren Sie den Kinderwagen niemals über Treppenstufen oder Rolltreppen.
- ! Halten Sie den Kinderwagen von heißen/Hitze erzeugenden Gegenständen, Flüssigkeiten und Elektrogeräten fern.
- ! Stellen Sie den Kinderwagen niemals auf Straßen, an Hanglagen oder in Gefahrenbereichen ab.
- ! Platzieren Sie KEINE Gegenstände mit einem Band oder Faden um den Hals Ihres Kindes.

- ! Verwenden Sie den Ablagekorb NICHT als Kindersitz.
- ! Seien Sie beim Auf- und Zusammenklappen des Kinderwagens vorsichtig, damit Sie sich die Finger nicht einklemmen.
- ! Achten Sie vor Verwendung des Kinderwagens darauf, dass alle Teile sachgemäß befestigt wurden.
- ! Zur Vermeidung einer Strangulation darf sich das Kind nicht an das Verdeck anlehnen oder sich damit bedecken.
- ! Ziehen Sie stets die Feststellbremse an, wenn Sie den Kinderwagen abstellen.
- ! Verwenden Sie den Kinderwagen nicht, wenn er defekt oder beschädigt ist.
- ! Dieses Produkt eignet sich für Kinder bis 22 kg oder 4 Jahre, was auch immer zuerst eintritt.

## Kinderwagen montieren

(Bitte beachten Sie die Abbildungen auf Seite 1-15)

Lesen Sie alle Hinweise in dieser Anleitung, bevor Sie dieses Produkt montieren und verwenden.

### Kinderwagen aufklappen

siehe Abbildungen ① - ③

Lösen Sie den Aufbewahrungsverschluss von der Befestigung ① und heben Sie den Handgriff nach oben ②, hören Sie, wie er einrastet, ist der Kinderwagen vollständig geöffnet

! Prüfen Sie vor der weiteren Benutzung, ob der Kinderwagen vollständig verriegelt ist.

! Drücken Sie die Beinauflage beim Öffnen der Sitzeinheit nicht nach unten. ③ - 1 Falls doch, beachten Sie bitte ④ zum Zusammenklappen und öffnen Sie den Wagen anschließend erneut.

### Vorderrad montieren und demontieren

siehe Abbildungen ④ - ⑤

### Hinterrad montieren und demontieren

siehe Abbildungen ⑥ - ⑦

### Verdeck montieren

siehe Abbildungen ⑧ - ⑩

### Getränkehalter montieren und demontieren

siehe Abbildungen ⑪ - ⑫

Den vollständig montierten Kinderwagen sehen Sie in ⑬



# Kinderwagen bedienen

## Rückenlehne anpassen

siehe Abbildungen 14 - 15

Die Rückenlehne hat 4 Neigungswinkel.

### Rückenlehne hochklappen

Heben Sie die Rückenlehne an, indem Sie den Hebel an der Rückseite des Sitzes drehen und die Rückenlehne nach oben ziehen. 14

### Rückenlehne zurückklappen

Senken Sie die Rückenlehne ab, indem Sie den Hebel an der Rückseite des Sitzes drehen und die Rückenlehne nach unten ziehen. 15

! Bitte drücken Sie nicht die Entriegelungstaste 14 - 3 und 15 - 3 in der Mitte des Hebels bei Anpassung des Neigungswinkels.

! Achten Sie darauf, die Neigung zur Verwendung sachgemäß einzustellen.

## Schnalle verwenden

siehe Abbildungen 16 - 17

### Schnalle öffnen

Drücken Sie auf den Knopf in der Mitte, um die Schnalle zu öffnen. 16

### Schnalle schließen

Schieben Sie die Schnalle des Schultergurts in die Schnalle des Beckengurts 17 - 1 und befestigen Sie beide in der mittleren Schnalle. 17 - 2 Ein Klickgeräusch zeigt an, dass der Verschluss eingerastet ist. 17 - 3

! Um schwere Verletzungen aufgrund von Herausfallen oder Herausgleiten zu verhindern, legen Sie Ihrem Kind stets die Sicherheitsgurte an.

! Vergewissern Sie sich, dass Ihr Kind rutschfest gehalten wird. Der Abstand zwischen dem Kind und dem Schultergurt sollte etwa die Dicke einer Hand betragen.

! Legen Sie die Schultergurte niemals gekreuzt an. Andernfalls wird Druck auf den Hals des Kindes ausgeübt.

## Schulter- und Taillengurte anlegen

siehe Abbildungen 18 - 23

! Nachdem Sie Ihr Kind in den Sitz gesetzt haben, prüfen Sie, ob die Schulter- und Taillengurte in der richtigen Höhe verlaufen und lang genug sind, um Ihr Kind vor dem Herausfallen zu schützen.

18 - 1 Schultergurtverankerung A

18 - 2 Schultergurtverankerung B

18 - 3 Gurtversteller

Für ein größeres Kind muss die Schultergurtverankerung A und der oberste Schulterschlitze verwendet werden.

Für ein kleineres Kind muss die Schultergurtverankerung B und der unterste Schulterschlitze verwendet werden.

Öffnen Sie hierzu den Bezug auf der Rückseite der Rückenlehne und lösen Sie die Gurte von der Rückenlehne, in dem Sie deren Verankerungen durch die Gurtschlitze nach vorne führen. 21 Anschließend führen Sie die Verankerungen von vorne nach hinten durch die oberen Gurtschlitze. 22

Ändern Sie die Gurtlänge mit dem Gurtversteller. 23 - 1

Drücken Sie auf den Knopf 23 - 2, während Sie den Taillengurt auf die richtige Länge ziehen. 23 - 3

## Spielbügel verwenden

siehe Abbildungen 24 - 26

## Beinauflage einstellen

siehe Abbildungen 27 - 28

Es gibt zwei Positionen für die Beinauflage.

Drücken Sie zum Absenken der Beinauflage die Einstellknöpfe an beiden Seiten der Beinauflage 27 - 1 und drehen Sie die Wadenstütze nach unten. 27 - 2

Drücken Sie die Beinauflage zum Anheben nach oben. Ein Klickgeräusch zeigt an, dass die Beinauflage eingerastet ist.

## Vorderräder feststellen

siehe Abbildungen 29

Zum Feststellen der Vorderräder drücken Sie die vorderen Lenksperren nach oben. 29

**Tipp** Auf unebenen Flächen sollten die Vorderräder festgestellt werden.

## Feststellbremse verwenden

siehe Abbildungen 30 - 31

Zur Arretierung der Räder drücken Sie den Bremshebel mit dem Fuß nach unten. 30

Lösen Sie die Sperrung durch Ziehen des Bremshebels nach oben. 31

**Tipp** Verwenden Sie die Feststellbremse immer, wenn der Kinderwagen nicht geschoben wird.

## Verdeck verwenden

siehe Abbildungen 32 - 34

Das Verdeck kann für maximalen Schutz Ihres Kindes vor der Sonne vollständig geöffnet werden. Öffnen Sie einfach den Reißverschluss 33, ziehen Sie dann das Verdeck nach vorne.

## Schiebebügel anpassen

siehe Abbildungen 35

## Sitz ausrichten

siehe Abbildungen 36 - 39

## Ablagekorb und Aufbewahrungsfächer verwenden

siehe Abbildungen 40

Die maximale Belastbarkeit von Ablagekorb inkl. Aufbewahrungsfächern A und B beträgt 0,45 kg.

## Kinderwagen zusammenklappen

siehe Abbildungen 41 - 49

! Drücken Sie die Entriegelungstaste und betätigen Sie zeitgleich den Hebel, um die Rückenlehne nach vorne zu klappen. 42 - 44 Ziehen Sie anschließend das Band nach oben, welches sich unter der Sitzeinheit befindet. 45 - 46

! Der Kinderwagen kann stehen, wenn sich der Griff in der höchsten Position befindet. 46

! Die Aufbewahrungslasche hakt sich automatisch in die Halterung ein. Danach ist der Kinderwagen vollständig gefaltet und verriegelt. 46 49

## Zubehör verwenden

Zubehör wird möglicherweise separat verkauft oder ist je nach Region nicht verfügbar.

## Mit Babyschale verwenden

siehe Abbildungen 50 - 55

Beachten Sie bei Verwendung mit Joie-Babyschalen die folgenden Anweisungen.

! Ein Klickgeräusch zeigt an, dass der Adapter vollständig eingerastet ist.

! Falls Probleme bei der Verwendung der Babyschale auftreten, beachten Sie bitte die zugehörige Bedienungsanleitung.

! Bitte klappen Sie den Kinderwagen nicht zusammen, wenn die Babyschale angebracht ist.

## Babywanne verwenden Ramble, Ramble XL

siehe Abbildungen 56 - 59

Bitte beachten Sie bei Verwendung einer Joie-Babywanne Ramble, ramble XL die folgenden Anweisungen.

! Ein Klickgeräusch zeigt an, dass der Adapter vollständig eingerastet ist.

- ! Verwenden Sie die Babywanne niemals ohne Matratze.
- ! Falls Probleme bei der Verwendung der Babywanne auftreten, beachten Sie bitte die zugehörige Bedienungsanleitung.
- ! Bitte klappen Sie den Kinderwagen nicht zusammen, wenn die Babywanne angebracht sind.

## Babywanne verwenden

siehe Abbildungen 60 - 63

Bei Verwendung mit dem Joie- calmi Autobett beachten Sie bitte die folgenden Anweisungen.

- ! Ein Klickgeräusch zeigt an, dass der Adapter vollständig eingerastet ist.
- ! Verwenden Sie beim Einsatz des Autobetts immer die Matratze.
- ! Bitte prüfen Sie, ob das Netz am Boden des Autobetts richtig angebracht ist, bevor Sie das Autobett installieren
- ! Wenn Sie Probleme mit der Verwendung des Autobetts haben, beachten Sie bitte die zugehörigen Bedienungsanleitungen.
- ! Bitte klappen Sie den Kinderwagen nicht zusammen, während das Autobett angebracht ist.

## Regenverdeck verwenden

siehe Abbildungen 64

Bringen Sie das Regenverdeck an, indem Sie es über dem Sitz platzieren.

- ! Achten Sie bei Verwendung des Regenverdecks stets auf Belüftung.
- ! Wird das Regenverdeck nicht mehr verwendet, achten Sie vor dem Zusammenfallen bitte darauf, dass es sauber und trocken ist.
- ! Klappen Sie den Kinderwagen nicht zusammen, nachdem das Regenverdeck angebracht wurde.
- ! Setzen Sie Ihr Kind bei heißem Wetter nicht in den Kinderwagen, wenn das Regenverdeck angebracht ist.

## Textilteile anbringen und entfernen

siehe Abbildungen 65 - 79

Entfernen Sie den Spielbügel, siehe 26

Bringen Sie die Textilteile des Sitzes wieder an, indem Sie die obigen Schritte in umgekehrter Reihenfolge befolgen 79 - 65

## Reinigung und Wartung

siehe Abbildungen 80

- ! Reinigen Sie das Kinderwagengestell nur mit handelsüblicher Seife und warmem Wasser. Nicht bleichen oder mit Reinigungsmitteln behandeln. Bitte beachten Sie zur Reinigung der Textilteile des Kinderwagens die Anweisungen am Pflegeetikett.
- ! Abnehmbare Textilteile können in der Maschine gewaschen werden. Nicht bleichen. Bitte wringen Sie Sitzbezug und Innenpolster nicht aus. Andernfalls könnten im Sitzbezug und am Innenpolster Falten zurückbleiben.
- ! Untersuchen Sie Ihren Kinderwagen gelegentlich auf lockere Schrauben, abgenutzte Teile, verschlissene Materialien oder aufgerissene Nähte. Ersetzen oder reparieren Sie die Teile bei Bedarf. Wischen Sie die Kunststoffteile regelmäßig mit einem weichen, angefeuchteten Tuch ab. Trocknen Sie die Metallteile bei Kontakt mit Wasser immer ab, damit sich kein Rost bildet.
- ! Bei übermäßiger Sonnenbestrahlung oder Hitzeeinwirkung können Teile verblasen oder sich verformen.
- ! Ist der Kinderwagen nass geworden, öffnen Sie das Verdeck und lassen Sie ihn komplett trocken werden, bevor Sie ihn verstauen.
- ! Bei quietschenden Rädern tragen Sie ein leichtes Öl auf (z. B. Silikonspray, Rostschutzöl oder Nähmaschinenöl). Dabei ist wichtig, dass das Öl in die Achse und die Räderpartie gelangt. 80
- ! Wenn Sie mit Ihrem Kinderwagen am Strand oder an sandigen/staubigen Orten spazieren, müssen Sie ihn anschließend komplett reinigen, um Sand und Salz aus der Mechanik und den Radverbindungen zu entfernen.

## ES Bienvenido a Joie™

¡Enhorabuena por unirse a la familia Joie! Estamos encantados de formar parte de su viaje y del de su pequeño. Cuando utilice el cochecito Versatrax™ de Joie, su bebé disfrutará de un cochecito de alta calidad, totalmente certificado y aprobado por las normas de seguridad europeas EN 1888-2:2018+A1:2022. Este producto es adecuado para niños de hasta 22 kg o 4 años, lo que ocurra primero. Lea detenidamente este manual y siga cada paso para garantizar que su bebé viaje cómodamente y esté protegido de la mejor manera posible.

¡Visítenos en [joiebaby.com](http://joiebaby.com) para descargar manuales y conocer otros fantásticos productos de Joie!

Para obtener información sobre la garantía, visite nuestro sitio web en [joiebaby.com](http://joiebaby.com).

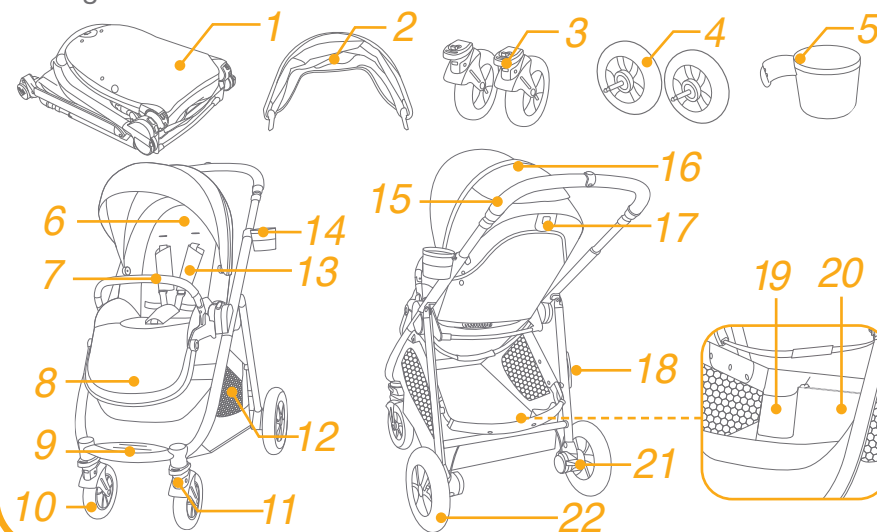
## Emergencia

En caso de emergencia o accidente, es muy importante que su bebé reciba primeros auxilios y tratamiento médico de inmediato.

## Lista de piezas

Asegúrese de que están disponibles todas las piezas antes de montar el producto. Si falta alguna pieza, póngase en contacto con el detallista local. No se necesita ninguna herramienta para el montaje.

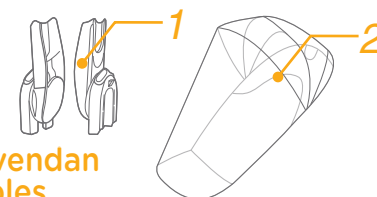
- |    |                                  |    |                          |
|----|----------------------------------|----|--------------------------|
| 1  | Estructura del cochecito         | 12 | Cesta portaobjetos       |
| 2  | Capota                           | 13 | Arnés                    |
| 3  | Rueda delantera                  | 14 | Portavasos               |
| 4  | Rueda trasera                    | 15 | Manillar                 |
| 5  | Portavasos                       | 16 | Ventana de la capota     |
| 6  | Acolchado del asiento            | 17 | Asa de reclinación       |
| 7  | Reposabrazos                     | 18 | Cierre de almacenamiento |
| 8  | Reposapiernas                    | 19 | Bolsa de almacenaje A    |
| 9  | Reposapiés                       | 20 | Bolsa de almacenaje B    |
| 10 | Rueda delantera                  | 21 | Palanca del freno        |
| 11 | Bloqueo de las ruedas giratorias | 22 | Rueda trasera            |



## Accesorios

(es posible que no estén incluidos)

- |   |                    |
|---|--------------------|
| 1 | Adaptador          |
| 2 | Plástico de lluvia |



Es posible que los accesorios se vendan por separado o no estén disponibles, dependiendo de la región.

## ADVERTENCIA

- ! ADVERTENCIA Nunca deje al bebé desatendido.
- ! ADVERTENCIA: asegúrese de que todos los dispositivos de bloqueo están fijados correctamente antes de utilizar el producto.
- ! ADVERTENCIA Para evitar lesiones, asegúrese de que su hijo está alejado del producto cuando lo pliegue y lo despliegue.
- ! ADVERTENCIA: no deje que su hijo juegue con este producto.
- ! ATENCIÓN Adecuada para niños hasta 22 kg. o hasta 48 meses de edad
- ! ADVERTENCIA Utilice siempre el sistema de sujeción.
- ! ADVERTENCIA: Verifique que los dispositivos de fijación del capazo, el asiento o la silla de automóvil están correctamente anclados antes del uso.
- ! El cochecito solo se debe utilizar a una velocidad de paseo. Este producto no es adecuado para utilizarlo mientras se corre. Este producto no es adecuado para correr ni patinar.
- ! Este cochecito está diseñado para niños con un peso de entre 0 y 22 kg. Con niños de más peso el cochecito puede romperse.
- ! Recomendamos que esta silla, diseñada para ser usada desde el nacimiento, se utilice en la posición más reclinada con los recién nacidos
- ! Cuando use el cochecito con recién nacidos le recomendamos que coloque el asiento en la posición más reclinada posible.
- ! Para evitar riesgos y la inestabilidad del producto, no deberá colocar objetos que sumen en total un peso superior a 4,5 kg en la cesta de almacenamiento.
- ! El peso máximo recomendado para el portavasos es de 0,5 kg.
- ! No utilice el cochecito para transportar a más de un niño a la vez.
- ! No coloque objetos en el manillar, el respaldo o los lados del cochecito. Cualquier carga adicional afectará la estabilidad del cochecito y podría provocar que este se vuelque.

- ! Si cuelga algún objeto del manillar, de la parte trasera del respaldo o de los laterales del cochecito, la estabilidad de este se verá afectada.
- ! No utilice accesorios que no estén aprobados por el fabricante. Utilice únicamente las piezas de recambio proporcionadas o recomendadas por el fabricante.
- ! Tenga en cuenta que si instala un portabebés en el cochecito, este vehículo no sustituye a una cuna ni una cama. Si su hijo necesita dormir, deberá colocarlo sobre una cuna, una cama o un capazo adecuado.
- ! Para evitar el riesgo de asfixia, retire la bolsa de plástico y los materiales de embalaje antes de utilizar este producto. A continuación, deberá mantener la bolsa de plástico y los materiales de embalaje fuera del alcance de bebés y niños.
- ! El capazo es adecuado únicamente para niños que no puedan sentarse sin ayuda, darse la vuelta ni levantarse sobre sus manos y rodillas. Peso máximo del niño: 9 kg.
- ! NO la utilice con ningún colchón (ni añada ningún otro) que no sea el que se incluye con el capazo.
- ! El montaje solo podrá ser realizado por personas adultas.
- ! Lea todas las instrucciones incluidas en el manual antes de utilizar el producto. Guarde este manual de instrucciones para futuras consultas. Si no sigue estas advertencias e instrucciones, podrían producirse graves lesiones o, incluso, la muerte.
- ! Para evitar lesiones graves como consecuencia de caídas o resbalones, mantenga al niño sujeto con el arnés en todo momento.
- ! Asegúrese de mantener a los niños alejados de las partes móviles cuando realice ajustes en el cochecito.
- ! Nunca utilice el cochecito en escaleras convencionales o mecánicas.
- ! Manténgalo alejado de objetos a altas temperaturas, líquidos y aparatos electrónicos.
- ! Nunca coloque el cochecito en carreteras, cuestas o zonas peligrosas.
- ! Para evitar el riesgo de estrangulamiento, NO coloque objetos con cordones alrededor del cuello del niño.

- ! NO utilice la cesta de almacenaje como portabebés.
- ! Tenga cuidado de no pillarse los dedos cuando pliegue y despliegue el cochecito.
- ! Para garantizar la seguridad del niño, asegúrese de que todas las piezas están montadas y bien sujetas antes de utilizar el cochecito.
- ! Para evitar el riesgo de estrangulamiento, asegúrese de que su hijo se mantiene alejado de la capota.
- ! Accione siempre los frenos cuando aparque el cochecito.
- ! Deje de utilizar el cochecito si presenta daños o roturas.
- ! Para evitar quemaduras, nunca coloque líquidos calientes en el sujetavasos.
- ! Este producto es adecuado para niños de hasta 22 kg o 4 años, lo que ocurra primero.

## Montaje del cochecito

(Consulte las figuras de la página 1-15)

Lea todas las instrucciones incluidas en este manual antes de montar y utilizar este producto.

### Abrir el cochecito

consulte las imágenes ① - ③

Separe el cierre de almacenamiento del soporte de cierre de almacenamiento ① y, a continuación, levante el manillar hacia arriba ②. El sonido de un clic le indicará que el cochecito está completamente abierto.

! Asegúrese de que el cochecito está completamente bloqueado antes de continuar utilizándolo.

! No presione el reposapiernas mientras abre el respaldo. ③  
- 1 Si lo hace, utilice la palanca ④ para doblar el respaldo y ábralo de nuevo.

### Montaje y desmontaje de las ruedas delanteras

consulte las imágenes ④ - ⑤

### Montaje y desmontaje de las ruedas traseras

consulte las imágenes ⑥ - ⑦

### Montaje de la capota

consulte las imágenes ⑧ - ⑩

### Montaje y desmontaje del portavasos

consulte las imágenes ⑪ - ⑫

El cochecito completamente montado aparece en la imagen ⑬

# Funcionamiento del cochecito

## Ajuste del respaldo

consulte las imágenes 14 - 15

El respaldo puede colocarse en 4 ángulos de inclinación.

Levantar el respaldo

Para levantar el respaldo, gire la palanca de reclinado situado en la parte posterior del asiento y empuje el respaldo hacia arriba. 14

Reclinar el respaldo

Para reclinar el respaldo, gire la palanca de reclinado situado en la parte posterior del asiento y empuje el respaldo hacia abajo. 15

! No presione el botón de liberación 14 - 3 & 15 - 3 situado en el centro de la palanca de inclinación cuando ajuste la posición de reclinado.

! Asegúrese de que ajusta la inclinación de forma adecuada para su uso.

## Uso de la hebilla

consulte las imágenes 16 - 17

Desbloquear la hebilla

Pulse el botón central para desbloquear la hebilla. 16

Bloquear la hebilla

Encaje la hebilla del cinturón de cintura con la hebilla de tirantes 17 - 1 y encájelas en la hebilla central hasta que escuche un clic. 17 - 2 El sonido de un "clic" le indicará que la hebilla está completamente bloqueada. 17 - 3

! Con el fin de evitar lesiones graves como consecuencia de caídas o resbalones, mantenga al niño sujeto con el arnés en todo momento.

! Asegúrese de que su hijo quede cómodamente sujeto. Cerciórese de que el espacio entre el niño y los tirantes sea el del grosor de una mano más o menos.

! No cruce los tirantes. Si lo hace, podría presionar el cuello del niño.

## Uso de los arneses de los tirantes y el arnés de cintura

consulte las imágenes 18 - 23

! Con el fin de proteger al niño contra caídas, después de colocarlo en el asiento, compruebe si la altura y el largo de los tirantes y el arnés de cintura son los adecuados.

18 - 1 Anclaje A del arnés de los hombros

18 - 2 Anclaje B del arnés de los hombros

18 - 3 Ajuste deslizante

Para los niños más altos, utilice el anclaje A del arnés de los hombros y las ranuras de los hombros más altas. Para los niños más pequeños, utilice el anclaje B del arnés de los hombros y las ranuras de los hombros más bajas.

Para ajustar la posición del bloqueador del tirante, gírelo para poderlo pasar por el ojal desde atrás hacia adelante. 21

Vuelva a enhebrarlo por la ranura que esté más cerca de la altura de los hombros del niño. 22

Utilice el tensor para modificar la longitud del arnés. 23 - 1

Presione el botón 23 - 2 y tire al mismo tiempo del arnés de la cintura hasta que la longitud sea la adecuada. 23 - 3

## Uso del reposabrazos

consulte las imágenes 24 - 26

## Ajuste del reposapiernas

consulte las imágenes 27 - 28

Se puede colocar el reposapiernas en 2 posiciones distintas.

Para bajar el reposapiernas, presione los botones de ajuste ubicados a ambos lados de dicho soporte 27 - 1 y gire este hacia abajo. 27 - 2

Para elevar el reposapiernas, tire de él hacia arriba. Cuando oiga un "clic" significará que el reposapiernas está bloqueado completamente.

## Uso del bloqueo de las ruedas giratorias delanteras

consulte las imágenes 29

Tire hacia arriba de los bloqueos de las ruedas giratorias delanteras para mantener la dirección del movimiento. 29

**Consejo** Se recomienda utilizar los bloqueos de las ruedas delanteras sobre superficies irregulares.

## Uso del freno

consulte las imágenes 30 - 31

Para bloquear las ruedas, pise sobre la palanca del freno empujándola hacia abajo. 30

Para desbloquear las ruedas, simplemente levante la palanca del freno hacia arriba. 31

**Consejo** Accione siempre el freno cuando el cochecito no se esté moviendo.

## Uso de la capota

consulte las imágenes 32 - 34

La capota se puede abrir completamente para proteger al niño del sol. Basta con abrir la cremallera 33 y tirar de la capota hacia delante.

## Ajuste del manillar

consulte las imágenes 35

## Cambio del sentido del asiento

consulte las imágenes 36 - 39

## Uso de la bolsa de almacenaje

consulte las imágenes 40

La carga máxima de las bolsas de almacenamiento A y B es de 0.45 kg.

## Plegado del cochecito

consulte las imágenes 41 - 49

! El botón situado en el medio del asa de inclinación se usa para doblar el asiento. 42 - 1

! El cochecito puede permanecer de pie cuando el mando esté en la posición más alta. 46

! El cierre de almacenamiento se trabará automáticamente en el soporte de almacenamiento y el cochecito quedará completamente plegado y bloqueado 46 49

## Uso de los accesorios

Es posible que los accesorios se vendan por separado o no estén disponibles, dependiendo de la región.

## Uso con el sistemas de retención infantil

consulte las imágenes 50 - 55

Cuando lo utilice con los portabebés de Joie i-Snug 2 & i-Gemm 3 & i-Level Recline & i-Jemini & Gemm, siga las siguientes instrucciones:

! El sonido de un “clic” le indicará que el adaptador está completamente bloqueado.

! Si experimenta algún problema al utilizar el portabebés, consulte el manual de instrucciones que incorpora.

! No pliegue el cochecito con el portabebés instalado.

## Uso del capazo Ramble, Ramble XL

consulte las imágenes 56 - 59

Cuando se utiliza con el capazo Joie Ramble, ramble xl, consulte las siguientes instrucciones.

! El sonido de un “clic” le indicará que el adaptador está completamente bloqueado.

! Instale siempre el colchón cuando utilice el capazo.



! Si experimenta algún problema al utilizar el capazo, consulte sus propios manuales de instrucciones.

! No pliegue el cochecito con el capazo montado.

## Uso del capazo

consulte las imágenes 60 - 63

Cuando lo utilice con la cama para vehículo Joie calmi, consulte las siguientes instrucciones.

! El sonido de un “clic” le indicará que el adaptador está completamente bloqueado.

! Utilice siempre el colchón cuando utilice la cama para vehículo.

! Compruebe que la malla de la parte inferior de la cama para vehículo esté bien fijada antes de instalar dicha cama.

! Si experimenta algún problema al utilizar la cama para vehículo, consulte sus propios manuales de instrucciones.

! No pliegue el cochecito con la cama para vehículo montada.

## Uso de del plástico de lluvia

consulte las imágenes 64

Para montar el plástico de lluvia, colóquelo sobre el cochecito.

! Cuando utilice el plástico de lluvia, deberá asegurarse siempre de que tenga una ventilación adecuada.

! Cuando no vaya a utilizar el plástico de lluvia, asegúrese de que está limpio y seco antes de plegarlo.

! No pliegue el cochecito después de montar el plástico de lluvia.

! No coloque al niño en el cochecito con el plástico de lluvia montado si la temperatura es cálida.

## Desmontaje y montaje de la tapicería

consulte las imágenes 65 - 79

Quite el reposabrazos como se muestra en la ilustración 26

Para volver a instalar la tapicería, siga los pasos anteriores en orden inverso. 79 - 65

## Limpieza y mantenimiento

consulte las imágenes 80

! Para limpiar el manillar del cochecito, utilice únicamente jabón para uso doméstico y agua tibia. No utilice lejía ni detergente. Consulte la etiqueta de cuidados para ver las instrucciones acerca de la limpieza de las partes textiles del cochecito.

! El tapizado se puede lavar a máquina. No utilice lejía. No escurra con mucha fuerza la tapicería ni el acolchado interno cuando los seque. Podrían quedar arrugas en la tapicería y en el acolchado interno.

! Examine periódicamente su cochecito por si tuviera tornillos sueltos, piezas desgastadas, materiales dañados o descosidos. Sustituya o repare las piezas que lo requieran. Limpie periódicamente las partes de plástico con un paño suave y húmedo. Seque siempre las partes metálicas para evitar que se oxiden si el cochecito ha estado en contacto con el agua.

! Una exposición excesiva al sol o al calor podría decolorar o deformar las piezas.

! ! Si se moja el cochecito, abra la capota y deje que se seque completamente antes de guardarlo.

! Si chirrían las ruedas, utilice un aceite suave (por ejemplo: spray de silicona, aceite antioxidante o aceite para máquinas de coser). Es importante que el aceite llegue al ensamblaje de las ruedas y el eje. 80

! Cuando utilice su cochecito en la playa o en otros entornos con arena/polvo, límpielo completamente después de usarlo para eliminar cualquier resto de arena y sal que haya podido quedar en los ensamblajes de las ruedas y los mecanismos.

## PT Bem-vindo à Joie™

Parabéns por se tornar membro da família Joie! Estamos muito satisfeitos por participar na sua aventura com o seu bebé. Ao viajar com o Joie Versatrax™, está a utilizar um carrinho de bebés de alta qualidade, totalmente certificado, aprovado pelas normas europeias de segurança EN 1888-2:2018+A1:2022. Este produto é indicado para crianças com menos de 22 kg ou 4 anos, o que ocorrer primeiro. Leia atentamente este manual e execute todos os passos para garantir uma utilização confortável e a melhor proteção para a criança. Visite-nos em [joiebaby.com](http://joiebaby.com) para transferir os manuais e conhecer outros produtos interessantes da Joie! Para informações sobre a garantia, visite o nosso website em [joiebaby.com](http://joiebaby.com)

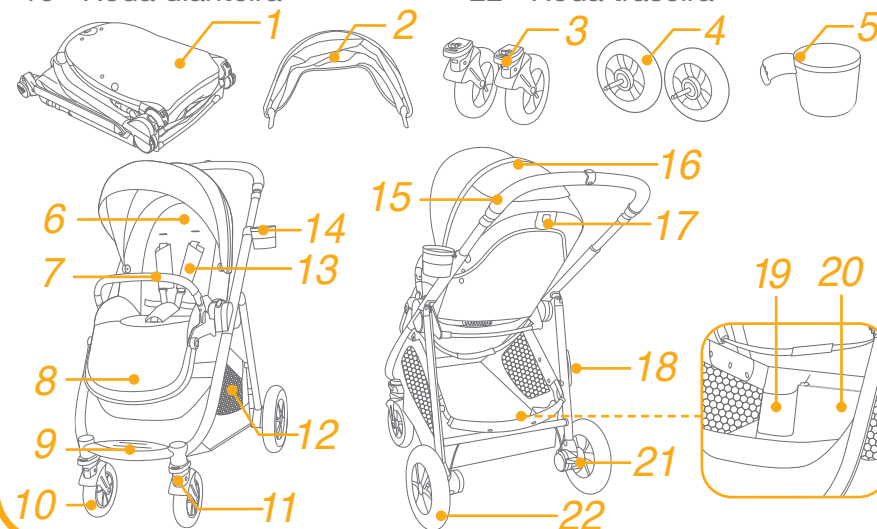
## Emergência

Em caso de emergência ou acidente, é importante prestar imediatamente os primeiros socorros e tratamento médico ao seu filho.

## Lista de componentes

Certifique-se de que todas as peças estão disponíveis antes da montagem. Se alguma peça estiver em falta, contacte o revendedor local. Não são necessárias ferramentas para a montagem.

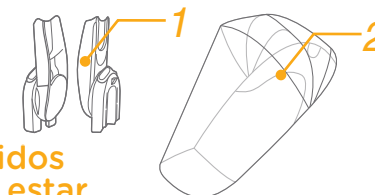
- |    |                               |    |                         |
|----|-------------------------------|----|-------------------------|
| 1  | Estrutura do carrinho de bebé | 11 | Bloqueio giratório      |
| 2  | Cobertura                     | 12 | Cesto de armazenamento  |
| 3  | Roda dianteira                | 13 | Alça                    |
| 4  | Roda traseira                 | 14 | Suporte para copos      |
| 5  | Suporte para copos            | 15 | Pega                    |
| 6  | Capa de tecido acolchoado     | 16 | Janela da cobertura     |
| 7  | Barra de proteção frontal     | 17 | Pega de reclinção       |
| 8  | Apoio da perna                | 18 | Fecho armazenamento     |
| 9  | Apoio dos pés                 | 19 | Saco de armazenamento A |
| 10 | Roda dianteira                | 20 | Saco de armazenamento B |
|    |                               | 21 | Alavanca do travão      |
|    |                               | 22 | Roda traseira           |



## Acessórios

(podem não estar incluídos)

- |   |                  |
|---|------------------|
| 1 | Adaptador        |
| 2 | Capa impermeável |



Os acessórios podem ser vendidos separadamente ou podem não estar disponíveis dependendo da região.

## AVISO

- ! AVISO Nunca deixe a criança sem supervisão.
- ! AVISO Verifique se os dispositivos de encaixe da cadeira auto estão devidamente encaixados antes de utilizar o produto.
- ! AVISO Para evitar lesões, assegure-se de que mantém a criança afastada ao dobrar e desdobrar este produto.
- ! AVISO Não deixe a criança brincar com este produto.
- ! AVISO Utilize sempre o sistema de retenção.
- ! AVISO Verifique se os dispositivos de fixação da alfofa, cadeira ou assento do carro estão corretamente encaixados antes do seu uso.
- ! Este produto não é adequado para correr ou patinar.
- ! O carrinho de bebé deve ser utilizado por crianças com 0-22kg. Se a criança for mais pesada, o carrinho de bebé pode danificar-se.
- ! Como carrinho projetado para ser utilizado desde do nascimento, recomendamos o uso da posição mais reclinada para bebés recém-nascidos.
- ! O dispositivo de travagem deve ser acionado ao colocar e remover a criança.
- ! Para evitar condições perigosas e instáveis, não coloque mais de 4,5 kg no cesto de armazenamento.
- ! O peso máximo recomendado no suporte para copos é de 1lbs (0,5 kg).
- ! Utilize o carrinho de bebé com apenas uma criança de cada vez.
- ! Não coloque itens na pega, encosto ou nas laterais do carrinho. Qualquer carga adicional afetará a estabilidade do carrinho e poderá fazer com que o carrinho tombe.
- ! Qualquer carga colocada sobre a pega e/ou na traseira do apoio das costas e/ou nas laterais do veículo podem afetar a estabilidade do mesmo.

- ! Não utilize acessórios que não sejam aprovados pelo fabricante. Utilize apenas peças fornecidas e recomendadas pelo fabricante.
- ! Para os dispositivos de retenção utilizados em conjunto com a estrutura do carrinho de bebé, o carrinho não substitui um berço ou cama. Se a criança precisar de dormir, coloque-a na alfofa, berço ou cama apropriados.
- ! Para evitar risco de asfixia, retire o saco de plástico e os materiais de embalagem antes de utilizar este produto. O saco de plástico e os materiais de embalagem devem ser afastados de bebés e crianças.
- ! A alfofa é indicada apenas para crianças que não são capazes de se sentar sozinhas, rolar e que não conseguem levantar-se apoiando-se nas mãos e nos joelhos. Peso máximo da criança: 9 kg.
- ! NÃO utilize ou adicione outro colchão além do fornecido com a alfofa.
- ! A montagem deverá ser efetuada por adultos.
- ! Leia todas as instruções neste manual antes de utilizar o produto. Guarde este manual de instruções para utilização futura. O incumprimento dos avisos e instruções pode resultar em lesões graves ou morte.
- ! Para evitar lesões graves devido a quedas ou deslizos, utilize sempre o cinto de segurança.
- ! Certifique-se de que o corpo da criança não está em contacto com as partes móveis ao ajustar o carrinho de bebé.
- ! Nunca utilize o carrinho de bebé em escadas rolantes ou convencionais.
- ! Mantenha o produto afastado de objetos a altas temperaturas, líquidos e dispositivos eletrónicos.
- ! Nunca coloque o carrinho de bebé em estradas, declives ou áreas perigosas.
- ! Para evitar o estrangulamento, NÃO coloque artigos com fios à volta do pescoço da criança.

- ! NÃO utilize o cesto de armazenamento como transportador.
- ! Para evitar apertar os dedos, tenha cuidado ao dobrar e desdobrar o carrinho de bebê.
- ! Para assegurar a segurança da criança, certifique-se de que todas as peças estão montadas e firmemente apertadas antes de utilizar o carrinho de bebê.
- ! Para evitar o risco de estrangulamento, certifique-se de que a criança está afastada da cobertura.
- ! Acione sempre os travões quando parar o carrinho de bebê.
- ! Interrompa a utilização do carrinho de bebê caso este esteja danificado ou quebrado.
- ! Para evitar queimaduras, nunca coloque líquidos quentes no suporte para copos.
- ! Este produto é indicado para crianças com menos de 22 kg ou 4 anos, o que ocorrer primeiro.

## Montagem do carrinho de bebê

(consulte as figuras na página 1-15)

Leia atentamente todas as instruções neste manual antes de instalar e utilizar este produto.

### Abrir o carrinho de bebê

ver imagens ① - ③

Separe o fecho de armazenamento do suporte de armazenamento ① e leve o cabo acima ②, um clique significa que o carrinho está completamente aberto.

! Verifique se o carrinho está completamente travado antes de continuar a utilizar.

! Não pressione no apoio da perna enquanto abre o apoio das costas. ③ - 1 Se sim, tenha referência ④2 para dobrar o apoio das costas e reabri-lo.

### Montagem e remoção da roda dianteira

ver imagens ④ - ⑤

### Montagem e remoção da roda traseira

ver imagens ⑥ - ⑦

### Montagem da cobertura

ver imagens ⑧ - ⑩

### Montagem e remoção do suporte para copos

ver imagens ⑪ - ⑫

A ilustração apresenta o carrinho totalmente montado. ⑬

## Operação do carrinho de bebê

### Ajuste do apoio das costas

ver imagens 14 - 15

O apoio das costas apresenta 4 ângulos de reclinção.

Elevar o apoio das costas

Para elevar o apoio das costas, rode o punho reclinável na parte de trás do banco e puxe o apoio das costas para trás.

14

Reclinar o apoio das costas

Para reclinar o apoio das costas, rode o punho reclinável na parte de trás do banco e puxe o apoio das costas para baixo.

15

! Não prima o botão de libertação 14 - 3 & 15 - 3 no meio da pega de reclinção ao ajustar para reclinar.

! Certifique-se de que a reclinção está corretamente definida.

### Utilizar a fivela

ver imagens 16 - 17

Soltar a fivela

Pressione o botão central para soltar a fivela. 16

Bloquear a fivela

Combine a fivela do cinto com a fivela de ombro 17 - 1 e clique na fivela central. 17 - 2 O som de um "clique" significa que a fivela está corretamente encaixada. 17 - 3

! Para evitar lesões graves como consequência de quedas ou deslizos, prenda sempre a criança com as alças.

! Certifique-se de que a criança está segura e confortável. O espaço entre a criança e as alças tem a espessura aproximada de uma mão.

! Não cruze as correias dos ombros. Ao fazê-lo, estará a pressionar o pescoço da criança.

### Utilizar a alça e cinto subabdominal

ver imagens 18 - 23

! Para proteger o seu filho de cair, depois de colocar o seu filho no assento, verifique se a alça e o cinto subabdominal estão na altura e comprimento adequados.

18 - 1 Dispositivo de fixação arnês para ombro A

18 - 2 Dispositivo de fixação arnês para ombro B

18 - 3 Regulador deslizante

Para crianças mais grandes, use o dispositivo de fixação do cinto de segurança para ombros A e os orifícios mais acima. Para as crianças mais pequenas, use o dispositivo de fixação do cinto de segurança e os orifícios do baixo.

Para ajustar a posição da alça, rode a âncora para nivelar com o lado virado para a frente. Enfie-o pela ranhura para alça de trás para a frente. 21 Reposicione-o pela ranhura mais próxima da altura do ombro da criança. 22

Utilize o regulador deslizante para alterar o comprimento do arnês. 23 - 1

Pressione o botão 23 - 2, enquanto puxa o cinto subabdominal para o comprimento adequado. 23 - 3

### Utilizar a barra de proteção

ver imagens 24 - 26

### Ajustar o apoio da perna

ver imagens 27 - 28

O apoio da perna tem 2 posições.

Para baixar o apoio da perna, pressione os botões de ajuste em ambos os lados do apoio da perna 27 - 1 e rode o apoio da perna para baixo. 27 - 2

Para elevar o apoio da perna, empurre-o para cima. O som de um "clique" significa que a fivela está corretamente encaixada.

## Utilizar o bloqueio giratório dianteiro

ver imagens 29

Empurre os bloqueios giratórios dianteiros para manter a direção de movimento. 29

**Ponta** Recomenda-se a utilização dos bloqueios giratórios em superfícies irregulares.

## Utilizar o travão

ver imagens 30 - 31

Para bloquear as rodas, pise a alavanca do travão para baixo. 30

Para soltar as rodas, basta elevar a alavanca do travão para cima. 31

**Ponta** Acione sempre o travão de estacionamento quando o carrinho não está a mover.

## Utilizar a cobertura

ver imagens 32 - 34

A cobertura pode ser aberta completamente para proteger a sua criança do sol, basta abrir o fecho 33 e depois puxar a cobertura para a frente.

## Ajustar a pega

ver imagens 35

## Trocar a cadeira

ver imagens 36 - 39

## Utilizar o saco de armazenamento

ver imagens 40

A carga máxima do Saco de armazenamento A e B é de 0,45 kg.

## Dobrar o carrinho de bebé

ver imagens 41 - 49

! O botão no meio da alça de reclinção é utilizado para dobrar o assento. 42 - 1

! O carrinho de bebé pode ficar em pé quando a pega está na posição mais alta. 46

! O fecho para armazenamento vai se prender automaticamente do suporte de armazenamento, e após o carrinho pode ser dobrado e bloqueado completamente. 46 49

## Utilizar acessórios

Os acessórios podem ser vendidos separadamente ou podem não estar disponíveis dependendo da região.

## Utilizar com dispositivo de retenção para crianças

ver imagens 50 - 55

Ao utilizar com o sistema de retenção para crianças Joie i-Snug 2 & i-Gemm 3 & i-Level Recline & i-Jemini & Gemm, consulte as instruções seguintes.

! O som de um "clique" significa que o adaptador está corretamente encaixado.

! Se tiver algum problema ao utilizar o sistema de retenção para crianças, consulte os manuais de instruções deles.

! Não dobre o carrinho de bebé com o sistema de retenção para crianças ainda encaixado.

## Utilizar a alfofa Ramble, Ramble XL

ver imagens 56 - 59

Ao utilizar a alfofa Joie ramble, ramble xl, consulte as instruções seguintes.

! O som de um "clique" significa que o adaptador está corretamente encaixado.

- ! Utilize o colchão sempre que utiliza a alcofa.
- ! Se tiver algum problema ao utilizar a alcofa, consulte os manual de instruções da mesma.
- ! Não dobre o carrinho de bebé com a alcofa ainda encaixada.

## Utilizar a alcofa

ver imagem 60 - 63

Quando utilizar a alcofa Joie calmi, consulte as seguintes instruções.

- ! O som de um “clique” significa que o adaptador está corretamente encaixado.
- ! Utilize o colchão sempre que utilizar a alcofa.
- ! Verifique se a rede no fundo da alcofa está devidamente fixada antes de instalar a alcofa
- ! Se tiver algum problema ao utilizar a alcofa, consulte o manual de instruções da mesma.
- ! Não dobre o carrinho de bebé com a alcofa ainda encaixada.

## Utilizar capa impermeável

ver imagens 64

Para instalar a capa impermeável, coloque-a sobre a cadeira.

- ! Ao utilizar a capa impermeável, verifique sempre a sua ventilação.
- ! Quando não estiver em utilização, verifique se a capa impermeável foi limpa e seca antes de a dobrar.
- ! Não dobre o carrinho de bebé depois de instalar a capa impermeável.
- ! Não coloque a criança no carrinho de bebé com a capa impermeável instalada durante o tempo quente.

## Retirar e montar a capa de tecido

ver imagens 65 - 79

Remova a barra de proteção conforme exibido 26

Para remontar a capa de tecido do assento, siga as etapas acima na ordem inversa 79 - 65

## Limpeza e manutenção

ver imagens 80

- ! Para limpar a estrutura do carrinho de bebé, utilize apenas sabão e água quente. Não utilizar lixívia ou detergente. Consulte as instruções de limpeza na etiqueta das peças de tecido do carrinho de bebé.
- ! Capas de tecido removíveis podem ser lavadas à máquina. Sem lixívia. Não torça as capas de tecido acolchoado e o revestimento interno para os secar rapidamente. Poderá originar vincos na capa e no acolchoado interior.
- ! Verifique periodicamente se o carrinho de bebé tem parafusos desapertados, peças desgastadas, materiais ou costuras rasgados. Substitua ou repare as peças, conforme necessário. Limpe periodicamente as peças de plástico limpas com um pano macio e húmido. Seque sempre as partes metálicas para evitar a formação de ferrugem se o carrinho entrar em contacto com a água.
- ! A exposição excessiva ao sol ou calor poderá causar o desvanecimento das cores ou a deformação das peças.
- ! Se o carrinho ficar molhado, abra a cobertura e deixe secar completamente antes de guardar.
- ! Se as rodas rangem, utilize um óleo leve (por exemplo, spray de silicone, óleo antiferrugem ou óleo de máquina de costura). É importante colocar o óleo no conjunto do eixo e da roda. 80
- ! Se utilizar o carrinho de bebé na praia ou em ambientes poeirentos/areia, limpe totalmente o carrinho de bebé após a sua utilização para remover a areia e o sal dos mecanismos e dos componentes das rodas.

## PL Witamy w Joie™

Gratulujemy zostania członkiem rodziny Joie! Bardzo się cieszymy z możliwości wspólnego podróżowania z Państwem dzieckiem. Podczas podróży z Joie Versatrax™, korzystają Państwo z wysokiej jakości, w pełni certyfikowanego wózka spacerowego, posiadającego dopuszczenia zgodnie z europejską normą bezpieczeństwa EN 1888-2:2018+A1:2022. Ten produkt jest przeznaczony dla dzieci o wadze do 22kg lub w wieku do 4 lat, zależnie od tego co nastąpi wcześniej.

### WAŻNE - ZATRZYMAJ TE INSTRUKCJE DO PRZYSZŁEGO ZASTOSOWANIA

Odwiedź nas pod adresem [joiebaby.com](http://joiebaby.com) w celu pobrania podręczników i sprawdzenia, innych ekscytujących produktów Joie!

W celu uzyskania informacji o gwarancji, należy odwiedzić naszą stronę internetową, pod adresem [joiebaby.com](http://joiebaby.com)

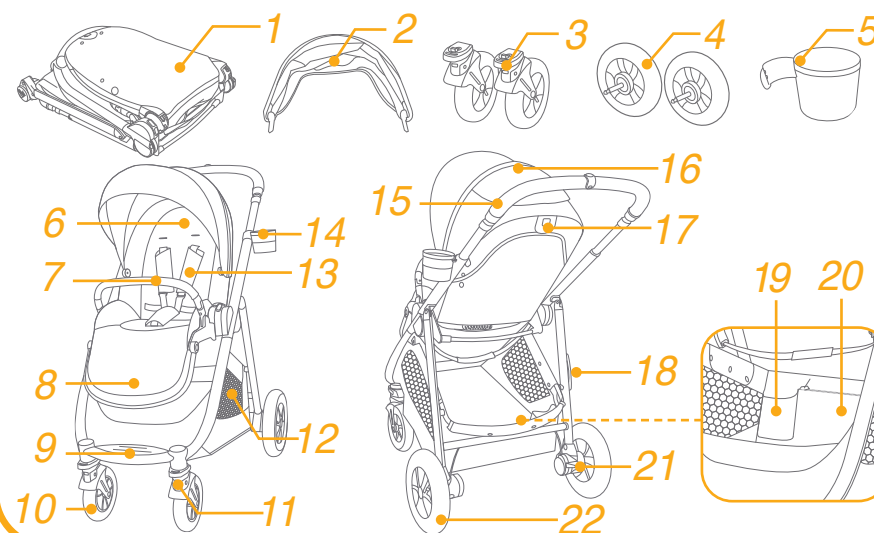
## Sytuacja zagrożenia

W sytuacji zagrożenia lub po wypadku, najważniejsze jest, aby udzielić dziecku pierwszej pomocy i jak najszybciej poddać je leczeniu medycznemu.

## Wykaz części

Przed montażem należy się upewnić, że dostępne są wszystkie części. Jeśli któreś z części brakuje, należy się skontaktować z lokalnym sprzedawcą. Do montażu nie są potrzebne żadne narzędzia.

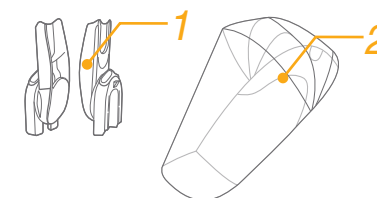
- |    |                                  |    |                               |
|----|----------------------------------|----|-------------------------------|
| 1  | Szkielet wózka                   | 12 | Koszyk transportowy           |
| 2  | Budka                            | 13 | Uprząż na ramiona             |
| 3  | Wkładka siedziska                | 14 | Uchwyt na pojemnik z napojem  |
| 4  | Koło tylne                       | 15 | Rączka                        |
| 5  | Uchwyt na pojemnik z napojem     | 16 | Okno budki                    |
| 6  | Poduszka fotelika                | 17 | Dźwignia regulacji nachylenia |
| 7  | Pałak                            | 18 | Zatrząsk kosza                |
| 8  | Podnózek                         | 19 | Torba do przechowywania A     |
| 9  | Oparcie na nogi                  | 20 | Torba do przechowywania B     |
| 10 | Koło przednie                    | 21 | Dźwignia hamulca              |
| 11 | Blokada przednich obrotowych kół | 22 | Koło tylne                    |



## Aksesoria

(Mogą nie być dołączone)

- 1 Adapter
- 2 Osłona przeciwdeszczowa



Aksesoria mogą być sprzedawane oddzielnie lub w zależności od regionu, mogą nie być dostępne.



## OSTRZEŻENIE

- ! OSTRZEŻENIE Nigdy nie zostawiaj swojego dziecka bez opieki.
- ! OSTRZEŻENIE Upewnij się przed użyciem, czy wszystkie urządzenia blokujące są włączone.
- ! OSTRZEŻENIE Aby uniknąć obrażeń, upewnij się, czy twoje dziecko jest odsunięte kiedy rozkłada się lub składa niniejszy wyrób.
- ! OSTRZEŻENIE Nie pozwalaj dziecku bawić się niniejszym wyrobem.
- ! OSTRZEŻENIE Odpowiedni dla dzieci o wadze do 22kg lub wieku do 48 miesięcy.
- ! OSTRZEŻENIE Zawsze używaj systemu zapieć.
- ! OSTRZEŻENIE Upewnij się przed użyciem, czy wszystkie urządzenia mocujące gondolę lub siedzisko lub fotelik samochodowy do podwozia wózka są poprawnie zablokowane.
- ! OSTRZEŻENIE Ten produkt nie jest odpowiedni do biegania lub jazdy na rolkach.
- ! Wózek dziecięcy można używać dla dziecka o wadze od 0 do 22 kg. Nieodpowiednia waga dziecka może spowodować uszkodzenie wózka.
- ! Wózek dziecięcy przeznaczony dla dzieci od urodzenia, dla noworodków powinien być używany z oparciem w pozycji maksymalnie rozłożonej (poziomej).
- ! Podczas wkładania i wyjmowania dzieci należy uruchomić urządzenie parkingowe.
- ! Aby zapobiec niebezpiecznym sytuacjom, niestabilności, w koszu nie należy umieszczać więcej niż 4,5kg bagażu.
- ! Maksymalny, zalecany udźwig uchwytu na pojemnik z napojem, to 1 funt (0,5kg).
- ! W wózku dziecięcym może znajdować się jednocześnie tylko jedno dziecko.
- ! Nie należy mocować żadnych przedmiotów do rączki, oparcia siedziska lub boków wózka. Każde dodatkowe obciążenie będzie mieć wpływ na stabilność wózka i może spowodować wywrócenie wózka.

- ! Każdy ładunek przymocowany do rączki i/lub z tyłu oparcia i/ lub na bokach wózka będzie wpływać na stabilność wózka.
- ! Nie należy używać akcesoriów niezatwierdzonych przez producenta. Używać należy wyłącznie części zamiennych dostarczonych lub zalecanych przez producenta.
- ! W przypadku fotelików samochodowych użytkowanych łącznie z podwoziem, niniejszy wózek nie zastępuje kołyski ani łóżka. Gdy dziecko potrzebuje snu, zaleca się, aby zostało umieszczone w odpowiedniej gondoli, kołysce lub łóżku.
- ! Aby uniknąć uduszenia, przed użyciem tego produktu należy usunąć plastikowy worek i materiały pakujące. Plastikowy worek i materiały pakujące należy trzymać z dala od niemowląt i dzieci.
- ! Gondola jest odpowiednia wyłącznie dla dziecka, które nie może siedzieć samodzielnie, przewracać się i poruszać się na swoich rękach i kolanach. Maksymalna masa dziecka: 9 kg.
- ! NIE WOLNO używać ani dodawać żadnego materaca innego niż dostarczony wraz z gondolą.
- ! Wymagany jest montaż przez osobę dorosłą.
- ! Przed użyciem tego produktu, należy przeczytać wszystkie instrukcje z tego podręcznika. Ten podręcznik należy zachować do przyszłego użycia. Niestosowanie się do tych ostrzeżeń i instrukcji, może spowodować poważne obrażenia lub śmierć.
- ! Aby uniknąć poważnych obrażeń w wyniku upadku lub zsunięcia, należy używać systemu zapieć.
- ! Podczas regulacji wózka dziecięcego należy się upewnić, że ciało dziecka nie ma kontaktu z ruchomymi częściami.
- ! Nigdy nie należy używać wózka dziecięcego na schodach lub schodach ruchomych.
- ! Należy unikać obiektów o wysokich temperaturach, płynów i elektroniki.
- ! Wózka dziecięcego nigdy nie należy ustawiać na drogach, stokach lub w niebezpiecznych miejscach.
- ! Aby uniknąć uduszenia, NIE wolno umieszczać na szyi dziecka elementów ze sznurkiem, pozostawiać wiszących sznurków na tym produkcie lub wiązać sznurków do zabawek.

- ! NIE należy używać kosza do przewożenia dziecka.
- ! Aby uniknąć uchwycenia palców, podczas składania i rozkładania wózka dziecięcego należy zachować ostrożność.
- ! To ensure the safety of the child before using the stroller make sure all parts are left folded and fastened correctly.
- ! Aby uniknąć uduszenia, należy się upewnić, że dziecko znajduje się z dala od budki.
- ! Podczas parkowania wózka dziecięcego należy zawsze uruchamiać hamulce.
- ! Należy zaprzestać użytkowania wózka, jeśli został on uszkodzony lub złamany.
- ! Aby uniknąć poparzeń, nigdy nie należy umieszczać gorących płynów w uchwycie na pojemnik z napojem.
- ! Ten produkt jest przeznaczony dla dzieci o wadze do 22kg lub w wieku do 4 lat, zależnie od tego co nastąpi wcześniej.

## Montaż wózka dziecięcego

(Patrz rysunki na stronach 1-15)

Przed montażem i rozpoczęciem używania tego produktu, należy przeczytać wszystkie instrukcje z tego podręcznika.

### Rozkładanie wózka dziecięcego

Patrz rysunki ① - ③

Oddziel zatrzask kosza od elementu do montażu kosza ①, a następnie podnieś uchwyt do góry ②, dźwięk kliknięcia oznacza, że wózek jest całkowicie rozłożony.

! Przed przystąpieniem do użytkowania należy sprawdzić, czy wózek dziecięcy jest całkowicie zablokowany.

! Nie należy naciskać podnóżka podczas rozkładania oparcia.

③ - 1 W przypadku gdyby to jednak nastąpiło, należy zgodnie z rys. ④2 złożyć oparcie i otworzyć je ponownie.

### Montaż i odłączanie kół przednich

Patrz rysunki ④ - ⑤

### Montaż i odłączanie kół tylnych

Patrz rysunki ⑥ - ⑦

### Montaż budki

Patrz rysunki ⑧ - ⑩

### Montaż i demontaż uchwytu na pojemnik z napojem

Patrz rysunki ⑪ - ⑫

Całkowicie zmontowany wózek jest pokazany jako ⑬

# Obsługa wózka dziecięcego

## Regulacja oparcia

Patrz rysunki 14 - 15

Wózek posiada 4-stopniową regulację pozycji oparcia.

Podnoszenie oparcia

Aby podnieść oparcie, pociągnij dźwignię nachylenia pozycji oparcia, popychając jednocześnie do góry oparcie. 14

Obniżenie oparcia

Aby obniżyć oparcie, pociągnij dźwignię nachylenia pozycji oparcia, pociągając jednocześnie w dół oparcie. 15

! Nie należy naciskać przycisku blokady składania 14 - 3&15 - 3 znajdującego się na środku dźwigni nachylenia pozycji oparcia podczas regulacji kąta oparcia.

! Upewnij się, że kąt nachylenia jest ustawiony prawidłowo do użycia.

## Używanie sprzączki

Patrz rysunki 16 - 17

Zwolnienie sprzączki

Naciśnij środkowy przycisk, aby zwolnić sprzączkę. 16

Zapinanie sprzączki

Dopasuj elementy sprzączki pasa biodrowego do pasa naramiennego 17 - 1, i wsuń do sprzączki centralnej. 17 - 2

Kliknięcie oznacza, że sprzączka została całkowicie zatrzaśnięta. 17 - 3

! Aby uniknąć poważnych obrażeń w wyniku upadku lub zsunęcia, należy zawsze zabezpieczyć dziecko uprzężą.

! Należy się upewnić, że dziecko jest dobrze zabezpieczone. Odległość pomiędzy dzieckiem a uprzężą naramienną nie powinna przekraczać grubości jednej dłoni.

! Nie należy krzyżować pasów naramiennych. Może to spowodować nacisk na kark dziecka.

## Używanie pasów naramiennych i biodrowych

Patrz rysunki 18 - 23

! Aby zabezpieczyć dziecko przed upadkiem, po umieszczeniu dziecka na siedzeniu, należy sprawdzić, czy pasy naramienne i biodrowe są ustawione na właściwej wysokości i czy mają odpowiednią długość.

18 - 1 Kotwa uprząży naramiennej A

18 - 2 Kotwa uprząży naramiennej B

18 - 3 Regulator długości

Dla większego dziecka, należy używać kotwy A uprząży na ramiona i najwyższych szczelin uprząży na ramiona. Dla mniejszego dziecka, należy używać kotwy B uprząży na ramiona i najniższych szczelin uprząży na ramiona.

W celu zmiany pozycji wpięcia kotwy uprząży naramiennej, obróć kotwę tak, aby była ona ustawiona pionowo do szczeliny. Przełóż ją przez szczelinę uprząży naramiennej, z tyłu do przodu. 21 Przełóż ponownie przez szczelinę najbliższą wysokości ramion dziecka. 22

Użyj regulatora w celu zmiany długości uprząży. 23 - 1

Naciśnij przycisk 23 - 2, pociągając jednocześnie uprząż biodrową na odpowiednią długość. 23 - 3

## Korzystanie z pałąka

Patrz rysunki 24 - 26

## Regulacja podnóżka

Patrz rysunki 27 - 28

Podnóżek posiada 2-stopniową regulację.

W celu obniżenia podnóżka, naciśnij przyciski regulacji z obu jego stron 27 - 1, i popchaj podnóżek w dół. 27 - 2

Aby podnieść podnóżek, pociągnij go do góry. Dźwięk "kliknięcia" oznacza, że podnóżek jest całkowicie zablokowany.

## Używanie blokady przednich obrotowych kół.

patrz rysunki 29

Naciśnij blokady w celu zablokowania przednich obrotowych kół. 29

**Wskazówka** Korzystanie z blokad zalecane jest na nierównych powierzchniach.

## Używanie hamulca

Patrz rysunki 30 - 31

Aby zablokować koła, opuść w dół dźwignię hamulca. 30

Aby zwolnić koła, podnieś dźwignię hamulca do góry. 31

**Wskazówka** Zawsze, kiedy wózek stoi hamulec powinien być zablokowany.

## Używanie budki

Patrz rysunki 32 - 34

Budkę można otworzyć całkowicie, aby zabezpieczyć dziecko przed nadmiernym słońcem, wystarczy rozpiąć zamek błyskawiczny 33, a następnie pociągnąć budkę do przodu.

## Regulacja rączki

patrz rysunki 35

## Zmiana kierunku wpięcia siedziska

Patrz rysunki 36 - 39

## Korzystanie z torby do przechowywania

patrz rysunki 40

Maksymalne obciążenie toreb do przechowywania A i B to 0,45 kg.

## Składanie wózka dziecięcego

Patrz rysunki 41 - 49

! Przycisk na środku dźwigni nachylenia pozycji oparcia służy do składania siedziska. 42 - 1

! Wózek dla dziecka może stać, gdy uchwyt znajduje się w najwyższej pozycji. 46

! Zatrask kosza automatycznie zaczepi się za element do montażu kosza, po czym wózek dziecięcy złoży się i zostanie całkowicie zablokowany. 46 49

## Używanie akcesoriów

Akcesoria mogą być sprzedawane oddzielnie lub w zależności od regionu, mogą nie być dostępne.

## Użytkowanie wózka z fotelikiem samochodowym

Patrz rysunki 50 - 55

Podczas używania wózka z fotelikiem samochodowym i-Snug 2 & i-Gemm 3 & i-Level Recline & i-Jemini & Gemm należy stosować się do poniższych instrukcji.

! Dźwięk „kliknięcia” oznacza, że adapter jest całkowicie zablokowany.

! W przypadku problemów dotyczących użytkowania fotelika samochodowego, należy odnieść się do jego instrukcji obsługi.

! Nie należy składać wózka dziecięcego, gdy fotelik samochodowy jest nadal zamontowany.

## Użytkowanie gondoli Ramble, Ramble XL

Patrz rysunki 56 - 59

Podczas używania z gondolą Joie ramble, ramble xl należy stosować się do poniższych instrukcji.

! Dźwięk „kliknięcia” oznacza, że adapter jest całkowicie zablokowany.

! Jeżeli korzystasz z gondoli, powinna ona być zawsze użytkowana z materacem.

! W przypadku problemów z użytkownikiem gondoli, należy odnieść się do jej instrukcji obsługi.

! Nie należy składać wózka dziecięcego, gdy gondola jest nadal przymocowana.

## Użytkowanie gondoli

patrz rysunki 60 - 63

Podczas używania z wyciszonym łóżeczkiem samochodowym Joie calmi, należy sprawdzić następujące instrukcje.

! Dźwięk „kliknięcia” oznacza, że adapter jest całkowicie zablokowany.

! Podczas używania łóżeczka samochodowego należy zawsze stosować materac.

! Przed instalacją łóżeczka samochodowego należy sprawdzić, czy jest prawidłowo zamocowana siatka na dole łóżeczka samochodowego

! W przypadku problemów dotyczących używania łóżeczka samochodowego, należy sprawdzić ich własne instrukcje.

! Nie należy składać wózka dla dziecka, gdy jest nadal przymocowane łóżeczko samochodowe.

## Korzystanie z osłony przeciwdeszczowej

patrz rysunki 64

W celu zamontowania osłony przeciwdeszczowej należy umieścić ją nad siedzeniem.

! W przypadku korzystania z osłony przeciwdeszczowej należy zawsze pamiętać o sprawdzeniu wentylacji.

! Jeżeli osłona przeciwdeszczowa nie jest wykorzystywana należy pamiętać o jej wyczyszczeniu i wysuszeniu przed złożeniem.

! Nie wolno składać wózka z założoną osłoną przeciwdeszczową.

! W przypadku upalnej pogody nie wolno wkładać dziecka do wózka z założoną osłoną przeciwdeszczową.

## Odłączanie i montaż miękkich elementów

Patrz rysunki 65 - 79

Usunąć pałąk, jak pokazano na rysunku 26

Aby ponownie zamontować miękkie elementy, wykonaj podane czynności w kolejności odwrotnej 79 - 65

## Pielęgnacja i konserwacja

patrz rysunki 80

! Do czyszczenia stelaża wózka wolno stosować jedynie mydło domowe i ciepłą wodę. Nie wolno stosować środków wybielających ani detergentów. Instrukcja czyszczenia części wózka wykonanych z tkaniny znajduje się na etykiecie dotyczącej konserwacji.

! Wyjmowane miękkie elementy można prać w pralce. Nie wolno stosować środków wybielających. Nie należy skręcać z wielką siłą pokrowca siedziska i wewnętrznych wkładów w celu wysuszenia. Może to spowodować trwałe zgniecenia pokrowca siedziska i wewnętrznych wkładów.

! Od czasu do czasu sprawdzić, czy w wózku nie ma poluzowanych wkrętów, zużytych części, rozdartego materiału lub szwów. Naprawić lub wymienić części w razie potrzeby. Okresowo przecierać elementy z tworzywa sztucznego miękką wilgotną ściereczką. Jeżeli doszło do kontaktu wózka z wodą, zawsze należy wysuszyć części metalowe, celem zapobieżenia tworzeniu się rdzy.

! Nadmierna ekspozycja na słońce lub ciepło może spowodować blaknięcie lub wyginanie się elementów wózka.

! Jeżeli wózek ulegnie zamoczeniu, należy rozłożyć budkę i wysuszyć go dokładnie przed dalszym przechowywaniem.

! Jeżeli kółka skrzypią użyć delikatnego oleju (np. spraju silikonowego, środka przeciwrdzewnego lub oleju do maszyn do szycia). Ważne jest wprowadzenie oleju między oś a koło.  
80

! W przypadku korzystania z wózka na plaży lub w innych zapiaaszczonych/zapyłonych środowiskach, dokładnie oczyścić wózek po użyciu, w celu usunięcia piasku i soli z mechanizmów oraz zespołów kół.

## IT Benvenuto a Joie™

Congratulazioni per essere entrato a far parte della famiglia Joie! Siamo lieti di partecipare al tuo viaggio con il bambino. Con Joie Versatrax™ siete sicuri di utilizzare un passeggino di alta qualità, totalmente certificato, approvato in base alle normative di sicurezza europee EN 1888-2:2018+A1:2022. Questo prodotto è adatta a bambini fino a 22 kg o 4 anni, qualunque degli eventi si verifichi prima. Leggere attentamente questo manuale e attenersi a ogni procedura per garantire un viaggio comodo e la migliore protezione per il bambino.

**IMPORTANTE - LEGGERE ATTENTAMENTE E CONSERVARE PER RIFERIMENTO FUTURO.**

Visitate il nostro sito [joiebaby.com](http://joiebaby.com) per scaricare i manuali e conoscere altri eccezionali prodotti Joie!

Per informazioni più dettagliate, si prega di visitare il nostro sito web all'indirizzo [joiebaby.com](http://joiebaby.com)

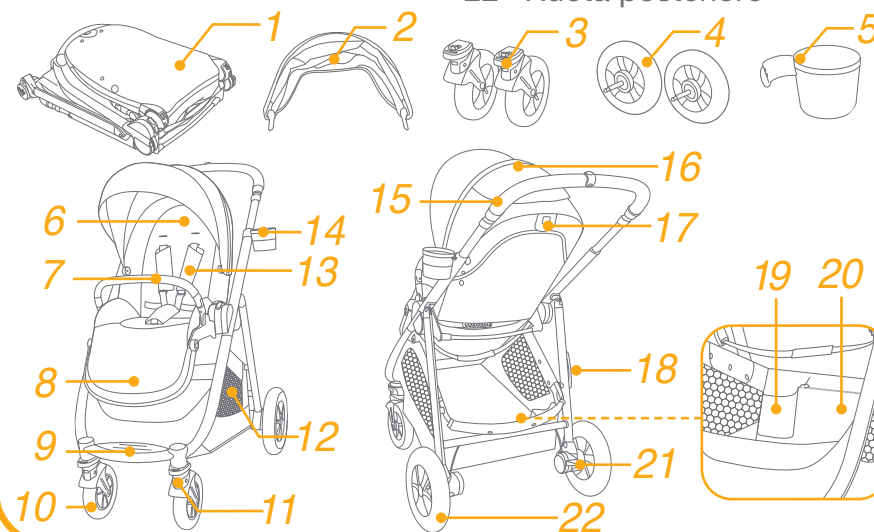
## Emergenza

In caso di emergenza o incidenti, è estremamente importante portare il bambino al pronto soccorso per cure mediche immediate.

## Elenco componenti

Assicurarsi che tutti i pezzi siano disponibili prima dell'assemblaggio. Se manca qualche pezzo, contattare il rivenditore locale. Per l'assemblaggio non è necessario nessun attrezzo.

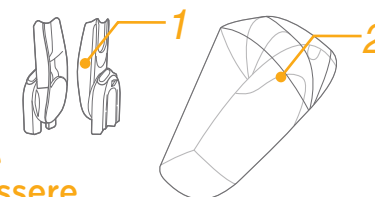
- |                          |  |
|--------------------------|--|
| 1 Telaio passeggino      | 12 Cestello di conservazione           |
| 2 Tettuccio              | 13 Tracolla                            |
| 3 Ruota anteriore        | 14 Portabicchiere                      |
| 4 Ruota posteriore       | 15 Maniglia                            |
| 5 Portabicchiere         | 16 Finestrella del tettuccio           |
| 6 Imbottitura            | 17 Maniglia di reclinazione            |
| 7 Bracciolo              | 18 Immagazzinaggio chiudibile a chiave |
| 8 Supporto per la gamba  | 19 Sacca portalettino A                |
| 9 Supporto per i piedi   | 20 Sacca portalettino B                |
| 10 Ruota anteriore       | 21 Leva del freno                      |
| 11 Bloccaggi orientabili | 22 Ruota posteriore                    |



## Accessori

(potrebbero non essere inclusi)

- |                         |
|-------------------------|
| 1 Adattatore            |
| 2 Copertura antipioggia |



Gli accessori potrebbero essere venduti separatamente o non essere disponibili a seconda della regione.

## AVVERTENZA

- ! AVVERTENZA Non lasciare mai il bambino incustodito.
- ! AVVERTENZA Prima dell'uso, assicurarsi che tutti i dispositivi di blocco siano inseriti.
- ! AVVERTENZA Per evitare lesioni, assicurarsi che il bambino venga allontanato quando si piega o si apre il passeggino.
- ! AVVERTENZA Evitare che i bambini giochino con questo prodotto.
- ! AVVERTENZA Adatto a bambini fino a 22 kg o fino a 48 mesi.
- ! AVVERTENZA Utilizzare sempre il sistema di sicurezza.
- ! AVVERTENZA Verifica che la carrozzina o la seduta del passeggino o i dispositivi di fissaggio per seggiolino auto siano correttamente inseriti prima dell'uso.
- ! Questo prodotto non è adatto per correre o pattinare.
- ! Usare il passeggino con bambini di peso 0-22 kg. Se il bambino è troppo grande, si potrebbero causare danni al passeggino.
- ! Per i passeggini concepiti per i neonati, si consiglia di utilizzare la posizione più inclinata.
- ! Il dispositivo di parcheggio deve essere inserito quando si mette o toglie il bambino.
- ! Per evitare una condizione di instabilità pericolosa non introdurre oltre 4,5 kg nel cestello di conservazione.
- ! Il peso massimo consigliato nel portabicchiere è di 0,5 kg.
- ! Usare il passeggino con un solo bambino per volta.
- ! Non attaccare oggetti alla maniglia, allo schienale o ai lati del passeggino. Qualsiasi ulteriore carico influisce sulla stabilità del passeggino e potrebbe causare il ribaltamento del passeggino.
- ! Qualsiasi carico sulla maniglia, sul retro dello schienale e/o sui lati del passeggino influisce sulla stabilità del passeggino stesso.

- ! Gli accessori non approvati dal produttore non devono essere usati. Utilizzare solo le parti di ricambio fornite o consigliate dal produttore.
- ! Per i sistemi di ritenuta per bambini utilizzati in combinazione con un telaio, questo veicolo non sostituisce una culla o un letto. Se il bambino ha necessità di dormire deve essere messo nella sua culla o nel lettino.
- ! Per evitare il soffocamento, rimuovere il sacchetto di plastica e i materiali di imballaggio prima di usare questo prodotto. Il sacchetto di plastica e i materiali di imballaggio devono quindi essere tenuti lontano dalla portata dei bambini.
- ! La culla portatile è adatta per un bambino che non è ancora in grado di stare seduto da solo, si rovescia e non può rialzarsi con le mani e mettersi in ginocchio. Peso massimo del bambino: 9 kg.
- ! NON utilizzare o aggiungere materassini diversi da quello fornito con la culla portatile.
- ! Il prodotto deve essere montato solo da adulti.
- ! Leggere tutte le istruzioni del manuale prima di usare il prodotto. Conservare questo manuale per riferimenti futuri. La mancata osservanza delle seguenti avvertenze e istruzioni potrebbe causare lesioni gravi o decesso.
- ! Per evitare gravi lesioni a seguito di caduta o scivolamento, usare sempre le cinture.
- ! Assicurarsi che il corpo del bambino sia lontano dalle parti in movimento quando si regola il passeggino.
- ! Non utilizzare mai il passeggino su scale o scale mobili.
- ! Tenere lontano oggetti caldi, liquidi e dispositivi elettronici.
- ! Non posizionare il passeggino su strade, pendii o aree pericolose.
- ! Per evitare il soffocamento NON collocare oggetti dotati di lacci attorno al collo del bambino
- ! NON utilizzare il cestello di conservazione per il trasporto del bambino.

- ! Per evitare di intrappolarsi le dita, fare attenzione quando si piega e chiude il passeggino.
- ! Per garantire la sicurezza del bambino, assicurarsi che tutte le parti siano assemblate e fissate correttamente prima di usare il passeggino.
- ! Per evitare lo strangolamento assicurarsi che il bambino sia lontano dal tettuccio e dalla copertura antipioggia.
- ! Inserire sempre i freni quando si parcheggia il passeggino.
- ! Cessare di utilizzare il passeggino, se danneggiato o rotto.
- ! Per evitare ustioni, non versare liquidi caldi nel portabicchiere.
- ! Questo prodotto è adatta a bambini fino a 22 kg o 4 anni, qualunque degli eventi si verifichi prima.

## Montaggio del passeggino

(Fare riferimento alle figure a pagina 1-15)

Leggere tutte le istruzioni del presente manuale prima di montare e usare il prodotto.

### Apertura del passeggino

vedere le figure ① - ③

Separate la serratura di stoccaggio dal supporto di stoccaggio ① e sollevate la maniglia ②, un clic significa che il passeggino è completamente aperto.

! Verificare che il passeggino sia completamente bloccato prima di continuare ad utilizzarlo.

! Non premere il supporto per la gamba mentre si apre lo schienale. ③ - 1 In tal caso, valutare ④ per piegare e riaprire lo schienale.

### Montaggio e rimozione della ruota anteriore

vedere le figure ④ - ⑤

### Montaggio e rimozione della ruota posteriore

vedere le figure ⑥ - ⑦

### Montaggio del tettuccio

vedere le figure ⑧ - ⑩

### Montaggio e rimozione del portabicchiere

vedere le figure ⑪ - ⑫

Il passeggino completamente assemblato è illustrato in ⑬



## Funzionamento del passeggino

### Regolazione dello schienale

vedere le figure 14 - 15

Vi sono 4 angoli di inclinazione per lo schienale.

Sollevare lo schienale

Per sollevare lo schienale, ruotare la maniglia di inclinazione sul retro del sedile e tirare verso l'alto lo schienale. 14

Reclinare lo schienale

Per reclinare lo schienale, ruotare la maniglia di inclinazione sul retro del sedile e tirare verso il basso lo schienale. 15

! Non premere il pulsante di sgancio 14 - 3 & 15 - 3 al centro della maniglia di inclinazione quando si regola l'angolo di inclinazione.

! Assicurarsi che la inclinazione sia regolata correttamente per l'uso.

### Uso della fibbia

vedere le figure 16 - 17

Rilascio della fibbia

Premere il pulsante centrale per rilasciare la fibbia. 16

Chiusura della fibbia

Far combaciare la fibbia della cintura addominale con quella delle spalle 17 - 1, quindi fare clic nella fibbia centrale. 17 - 2

Quando si sente il "clic" significa che la fibbia è bloccata. 17 - 3

! Per evitare gravi lesioni a seguito di caduta o scivolamento, allacciare il bambino con le cinture.

! Assicurarsi che il bambino sia perfettamente allacciato. Lo spazio tra il bambino e la cintura per le spalle deve essere di circa lo spessore di una mano.

! Non incrociare le cinture per le spalle. Ciò provocherà pressione sul collo del bambino.

## Uso delle cinture per le spalle e inguinali

vedere le figure 18 - 23

! Per proteggere il bambino dalla caduta, dopo averlo posizionato nel sedile, verificare che le cinture per le spalle e inguinali siano all'altezza e della lunghezza conformi.

18 - 1 Ancora A della imbracatura per la spalla

18 - 2 Ancora B della imbracatura per la spalla

18 - 3 Dispositivo di regolazione scorrimento

Per un bambino più grande utilizzate l'ancora A della imbracatura per la spalla e i spazi per la spalla più alti. Per un bambino più piccolo, utilizzate l'ancora B della imbracatura per la spalla e i spazi per la spalla più bassi.

Per regolare la posizione del punto di attacco della cintura per le spalle, girare il punto di attacco in modo che sia in piano con il lato rivolto in avanti. Infilarlo nella fessura della cintura per le spalle dalla parte posteriore a quella anteriore. 21  
Infilarlo di nuovo nella fessura più vicina all'altezza delle spalle del bambino. 22

Utilizzare il dispositivo di regolazione scorrimento per modificare la lunghezza delle cinture. 23 - 1

Premere il pulsante 23 - 2 mentre si tira la cintura inguinale alla lunghezza adeguata. 23 - 3

## Uso del bracciolo

vedere le figure 24 - 26

## Regolazione del supporto per la gamba

vedere le figure 27 - 28

Il supporto per la gamba ha 2 posizioni.

Per abbassarlo, premere i pulsanti di regolazione su entrambi i lati del supporto per la gamba 27 - 1 e ruotarlo verso il basso. 27 - 2

Per sollevarlo, spingerlo verso l'alto. Quando si sente il "clic" significa che il supporto per la gamba è completamente bloccato.

## Uso dei bloccaggi anteriori orientabili

vedere le figure 29

Sollevarre i bloccaggi anteriori orientabili per mantenere la direzione di movimento. 29

**Suggerimento** Raccomandiamo di utilizzare i bloccaggi orientabili sulle superfici irregolari.

## Uso dei freni

vedere le figure 30 - 31

Per bloccare le ruote, portare la leva del freno verso il basso.

30

Per rilasciare le ruote, basta sollevare verso l'alto la leva del freno. 31

**Suggerimento** Applicare sempre il freno di stazionamento quando il passeggino non è in movimento.

## Uso del tettuccio

vedere le figure 32 - 34

Il tettuccio può essere aperto completamente per proteggere il bambino dal sole. Basta aprire la cerniera 33 e tirare il tettuccio in avanti.

## Regolazione della maniglia

vedere le figure 35

## Inversione del seggiolino

vedere le figure 36 - 39

## Uso della sacca

vedere le figure 40

Il carico massimo della sacca portalettino e B è di 0,45 kg.

## Chiusura del passeggino

vedere le figure 41 - 49

! Il pulsante al centro della maniglia di reclinazione viene utilizzato per piegare il sedile. 42 - 1

! Il passeggino può rimanere eretto quando la maniglia è nella posizione superiore. 46

! Il blocco di stoccaggio otterrà automaticamente sul supporto di stoccaggio, e poi il passeggino può essere piegato e bloccato completamente. 46 49

## Uso degli accessori

Gli accessori potrebbero essere venduti separatamente o non essere disponibili a seconda della regione.

## Uso con sistema di ritenuta per bambini

vedere le figure 50 - 55

Quando si utilizza il sistema di ritenuta per bambini i-Snug 2 & i-Gemm 3 & i-Level Recline & i-Jemini & Gemm, consultare le seguenti istruzioni.

! Quando si sente il "clic" significa che l'adattatore è completamente bloccato.

! In caso di problemi con l'uso del sistema di ritenuta per bambini, fare riferimenti ai relativi manuali di istruzioni.

! Non piegare il passeggino se il sistema di ritenuta per bambini è ancora fissato.

## Uso della culla portatile Ramble, Ramble XL

vedere le figure 56 - 59

Quando si utilizza con la culla portatile Joie Ramble, ramble XL, consultare le Seguenti istruzioni.

! Quando si sente il "clic" significa che l'adattatore è completamente bloccato.

! Quando si usa la culla portatile, usare sempre anche il materassino.

- ! In caso di problemi con l'uso della culla portatile, fare riferimenti ai relativi manuali di istruzioni.
- ! Non piegare il passeggino quando è ancora agganciata la culla portatile.

## Uso della culla portatile

vedere figura 60 - 63

Quando si utilizza con il lettino per auto Joie calmi, consultare le seguenti istruzioni.

- ! Quando si sente il "clic" significa che l'adattatore è completamente bloccato.
- ! Quando si usa il lettino per auto, usare sempre anche il materassino.
- ! Controllare che la rete nella parte inferiore del lettino per auto sia fissata correttamente prima di installare il lettino per auto.
- ! In caso di problemi con l'uso del lettino per auto, fare riferimento ai relativi manuali di istruzioni.
- ! Non piegare il passeggino quando è ancora agganciato il lettino per auto.

## Uso della copertura antipioggia

vedere le figure 64

Per assemblare la copertura antipioggia, collocarla sopra il sedile.

- ! Quando si usa la copertura antipioggia, controllare sempre la ventilazione.
- ! Se non viene utilizzata, controllare che la copertura antipioggia sia pulita e asciutta prima di ripiegarla.
- ! Non piegare il passeggino dopo aver montato la copertura antipioggia.
- ! Non far sedere il bambino nel passeggino con la copertura antipioggia montata quando fa caldo.

## Rimozione e montaggio del rivestimento imbottito

vedere le figure 65 - 79

Rimuovere il bracciolo mostrato come 26

Per rimontare il rivestimento imbottito del sedile, invertire le procedure di cui sopra 79 - 65

## Pulizia e manutenzione

vedere le figure 80

- ! Per pulire la struttura del passeggino, utilizzare solo una soluzione di sapone e acqua calda. Non usare candeggina o detergente. Fare riferimento all'etichetta con le istruzioni di lavaggio per pulire il tessuto del passeggino.
- ! Il rivestimento imbottito rimovibile può essere lavato in lavatrice. Non usare candeggina. Non attorcigliare la fodera e l'imbottitura interna per asciugare con grande forza. Si potrebbero lasciare grinze sulla fodera e l'imbottitura interna.
- ! Controllare periodicamente la presenza di viti allentate, componenti usurati, materiali strappati o scuciti nel passeggino. Se necessario, sostituire o riparare i componenti. Pulire periodicamente le parti in plastica con un panno umido. Asciugare sempre le parti di metallo per evitare la formazione di ruggine se il passeggino entra in contatto con l'acqua.
- ! Un'eccessiva esposizione alla luce del sole potrebbe causare lo sbiadimento o la deformazione dei componenti.
- ! Se il passeggino si bagna, aprire il tettuccio e lasciarlo asciugare completamente prima di riparlo.
- ! Se le ruote cigolano, utilizzare un olio leggero (ad esempio, spray al silicone, olio antiruggine o olio per macchine da cucire). È importante oliare l'assieme asse e ruota. 80
- ! Quando si utilizza il passeggino in spiaggia o altri ambienti sabbiosi/polverosi, pulirlo completamente dopo l'uso per rimuovere sabbia e sale dai meccanismi e dall'assieme ruota.

## NL Welkom bij Joie™

Gefeliciteerd dat u nu lid bent van de Joie-familie! Het doet ons veel genoegen om deel te kunnen uitmaken van uw reis met uw kleintje. Bij het reizen met de Joie Versatrax™, gebruikt u een hoogwaardige, volledig gecertificeerde wandelwagen, goedgekeurd volgens de Europese veiligheidsnormen EN 1888-2:2018+A1:2022. Dit product is geschikt voor kinderen tot 22kg of 4 jaar, als dat zich eerder voordoet. Lees deze handleiding zorgvuldig en volg elke stap om voor een comfortabele rit en de beste bescherming van uw kind te zorgen.

Bezoek ons op [joiebaby.com](http://joiebaby.com) om handleidingen te downloaden en nog meer interessante producten van Joie te zien.

Bezoek voor informatie over de garantie onze website op [joiebaby.com](http://joiebaby.com)

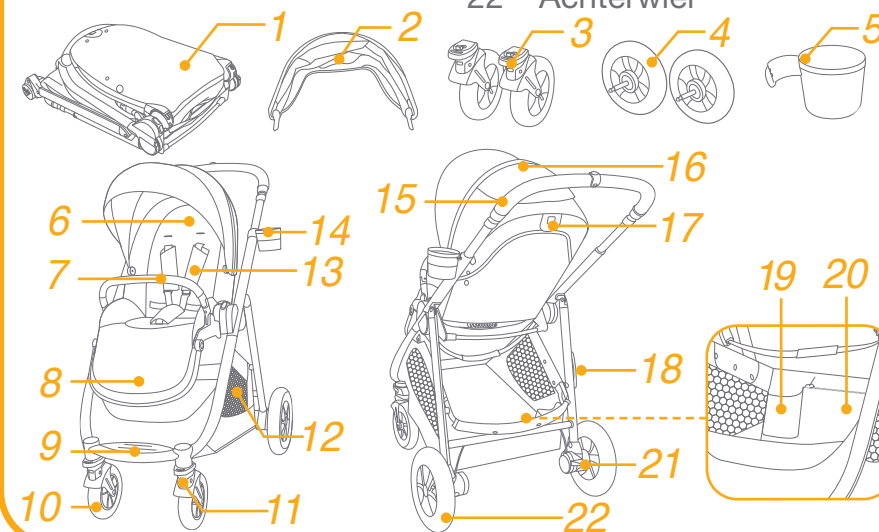
## Noodgeval

Bij een noodsituatie of een ongeluk is het heel belangrijk om uw kind direct te laten verzorgen met eerste hulp en medische behandeling.

## Onderdelenlijst

Zorg dat alle onderdelen voor het opslaan droog zijn. Als er items ontbreken of beschadigd zijn, kunt u contact opnemen met uw leverancier. Voor de montage is geen gereedschap nodig.

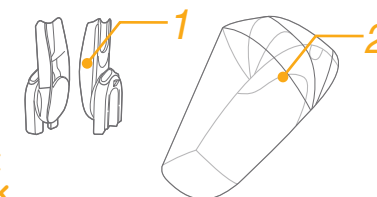
- |    |                  |    |                          |
|----|------------------|----|--------------------------|
| 1  | Wandelwagenframe | 12 | Opbergmand               |
| 2  | Kap              | 13 | Schouderriem             |
| 3  | Voorwiel         | 14 | Bekerhouder              |
| 4  | Achterwiel       | 15 | Handgreep                |
| 5  | Bekerhouder      | 16 | Raampje van de kap       |
| 6  | Zitkussen        | 17 | Instelhendel schuinstand |
| 7  | Armsteun         | 18 | Opberggrendel            |
| 8  | Kuitsteun        | 19 | Opberggas A              |
| 9  | Voetsteun        | 20 | Opberggas B              |
| 10 | Voorwiel         | 21 | Remgreep                 |
| 11 | Draaislot        | 22 | Achterwiel               |



## Accessoires

(Mogelijk niet meegeleverd)

- 1 Adapter
- 2 Regenkap



Accessoires kunnen al dan niet apart leverbaar zijn, afhankelijk van de regio.

## WAARSCHUWING

- ! WAARSCHUWING Laat uw kind nooit zonder toezicht achter.
- ! WAARSCHUWING Controleer voor het gebruik of alle sluitingen goed vastzitten.
- ! Om letsel te voorkomen, moet u uw kind uit de buurt houden tijdens het open- of samenvouwen van dit product.
- ! WAARSCHUWING Laat uw kind niet met dit product spelen.
- ! WAARSCHUWING Geschikt voor kinderen van tot 22 kg of tot 48 maanden.
- ! WAARSCHUWING Gebruik altijd de veiligheidsriemen.
- ! WAARSCHUWING Controleer voor gebruik of de reiswieg of zitting of autostoel-adapters goed vastgeklikt zijn.
- ! Dit product is niet geschikt om mee te rennen of rolschaatsen.
- ! Gebruik de wandelwagen voor een kind dat 0 tot 22 kg weegt. Als het kind niet past, kan dit de wandelwagen beschadigen.
- ! Wandelwagen ontworpen voor gebruik vanaf de geboorte, gebruik de meest vlakke stand voor pasgeboren baby's.
- ! Bij het plaatsen en verwijderen van het kind moet de parkeerrem geactiveerd zijn.
- ! Om een gevaarlijke en instabiele conditie te vermijden, moet u niet meer dan 4,5 kg in de opbergmand plaatsen.
- ! Het aanbevolen maximale gewicht in de bekerhouder is 0,5 kg.
- ! Gebruik de wandelwagen met slechts één kind tegelijk.
- ! Bevestig geen items aan de handgreep, rugleuning of zijkanten van de wandelwagen. Elke extra belasting is van invloed op de stabiliteit van de wandelwagen en zou kunnen leiden tot het omkantelen van de wandelwagen.
- ! Elke last bevestigd aan de greep of op de achterkant van de rugsteun of de zijkanten van de wandelwagen beïnvloedt de stabiliteit van de wandelwagen.

- ! Gebruik geen toebehoren die niet door de fabrikant zijn goedgekeurd. Gebruik uitsluitend vervangende onderdelen die zijn geleverd of aanbevolen door de fabrikant.
- ! Voor kinderstoeltjes die gebruikt worden in combinatie met een chassis, vervangt dit voertuig geen draagwieg of bed. Als uw kind moet slapen, moet u het in een geschikte kinderwagen, wieg of bed leggen.
- ! Om verstikking te voorkomen, moet u de plastic zak en verpakkingsmaterialen verwijderen voordat u de stoel gebruikt. Houd de plastic zak en verpakkingsmaterialen buiten bereik van baby's en kinderen.
- ! De draagwieg is alleen geschikt voor een kind dat niet zonder hulp rechtop kan zitten, om kan rollen of zichzelf op handen en knieën opdrukken. Maximumgewicht van het kind: 9 kg.
- ! GEEN ander matras gebruiken dan is meegeleverd met de draagwieg.
- ! Montage door volwassene vereist.
- ! Lees alle aanwijzingen in deze handleiding voordat u het product gebruikt. Bewaar de handleiding voor later gebruik. Niet-naleving van de waarschuwingen en de instructies kan ernstig letsel of de dood veroorzaken.
- ! Om ernstig letsel te vermijden door vallen of uit de wagen glijden, moet u altijd de riemen gebruiken.
- ! Zorg er voor dat het lichaam van uw kind geen bewegende onderdelen raakt bij het aanpassen van de wandelwagen.
- ! Gebruik de wandelwagen nooit op trappen of roltrappen.
- ! Uit de buurt houden van voorwerpen, vloeistoffen en elektronica met een hoge temperatuur.
- ! Plaats de wandelwagen nooit op wegen, hellingen of gevaarlijke gebieden.
- ! Om verstikking te voorkomen, moet u GEEN voorwerpen met een koord rond de hals van uw kind hangen.
- ! Gebruik de opbergmand NIET om een kind in te plaatsen.

- ! Om afgekleemde vingers te voorkomen, moet u opletten bij het in- en uitvouwen van de wandelwagen.
- ! Om voor de veiligheid van uw kind te zorgen, moet u ervoor zorgen dat alle onderdelen goed zijn gemonteerd en vastgezet voordat u de wandelwagen gebruikt.
- ! Om verstikking te voorkomen, moet u er voor zorgen dat uw kind niet door de kap wordt bedekt.
- ! Gebruik altijd de remmen bij het parkeren van de wandelwagen.
- ! Gebruik de wandelwagen niet meer als deze is beschadigd of kapot is.
- ! Om brandwonden te voorkomen, nooit hete vloeistoffen in de bekerhouder plaatsen.
- ! Dit product is geschikt voor kinderen tot 22kg of 4 jaar, als dat zich eerder voordoet.

## Montage wandelwagen

(Raadpleeg de afbeeldingen op pagina 1-15)

Lees alle aanwijzingen in deze handleiding voordat u het product opzet en gebruikt.

### Open wandelwagen

zie afbeeldingen ① - ③

Maak de opberggrendel los van de opbergbeugel en til de hendel omhoog ①, als u een klik hoort ②, betekent dit dat de wandelwagen volledig geopend is.

! Controleer of de wagen goed vergrendeld is voordat u hem gebruikt.

! Druk niet op de kuitsteun tijdens het openen van de rugleuning. ③ - ① Als u dat wel doet, moet u ④ markeren voor het opvouwen van de rugleuning en het opnieuw openen.

### Voorwiel monteren en demonteren

zie afbeeldingen ④ - ⑤

### Achterwiel monteren en demonteren

zie afbeeldingen ⑥ - ⑦

### Kap monteren

zie afbeeldingen ⑧ - ⑩

### Bekerhouder monteren en demonteren

zie afbeeldingen ⑪ - ⑫

De volledig gemonteerde wandelwagen is afgebeeld als ⑬

## Gebruik wandelwagen

### Rugsteun instellen

zie afbeeldingen 14 - 15

De rugsteun heeft 4 hoeken.

De rugsteun omhoog brengen

Draai, om de rugleuning omhoog brengen, de greep op de achterkant van de zitting en trek de rugleuning omhoog. 14

Rugsteun naar achteren brengen

Draai om de rugleuning naar achteren te brengen de greep op de achterkant van de zitting en trek de rugleuning omlaag. 15

! Druk niet op de ontgrendelknop 14 - 3&15 - 3 in het midden van de instelhendel schuinstand bij het aanpassen van de hoek voor de schuinstand.

! Controleer of de helling goed is ingesteld.

### Riem gebruiken

zie afbeeldingen 16 - 17

Maak de gesp los

Druk op de knop in het midden om de riem los te maken. 16

Riem vastmaken

Verbind de middelriem met de schouderriem 17 - 1 en klik in de middengesp. 17 - 2 Een klikkend geluid betekent dat de riem vergrendeld is. 17 - 3

! Om ernstig letsel te voorkomen door uit de stoel vallen of glijden, moet u uw kind altijd met de riemen vastzetten.

! Zorg er voor dat uw kind goed vast zit. De ruimte tussen het kind en de schouderriemen moet ongeveer de dikte van een hand zijn.

! De schouderriemen niet kruisen. Dat veroorzaakt druk op de nek van het kind.

## Schouder- en middelriemen gebruiken

zie afbeeldingen 18 - 23

! Om te voorkomen dat uw kind uit de stoel valt, moet u controleren of de schouder- en middelriemen op de juiste hoogte en lengte zitten.

18 - 1 Schouderriemanker A

18 - 2 Schouderriemanker B

18 - 3 Instelling

Gebruik voor een groter kind schouderriemanker A en de hoogste schouderleuven. Gebruik voor een kleiner kind schouderriemanker B en de laagste schouderleuven.

Om de positie van het schouderriemanker aan te passen, draait u het anker zodat het gelijk ligt met de kant die naar voren kijkt. Geleid deze van achter naar voor door de sleuf voor de schouderriem. 21 Steek hem vervolgens door de sleuf die het dichtste bij de schouderhoogte van het kind zit. 22

Gebruik de schuifregelaar om de lengte van de riemen in te stellen. 23 - 1

Druk op de knop 23 - 2 terwijl u de middelriem op de juiste lengte trekt. 23 - 3

## De armsteun gebruiken

zie afbeeldingen 24 - 26

## Kuitsteun aanpassen

zie afbeeldingen 27 - 28

De kuitsteun heeft 2 standen.

Druk op de instelknoppen aan weerszijden van de kuitsteun om de steun omlaag te brengen 27 - 1 en draai de steun omlaag. 27 - 2

Druk de kuitsteun omhoog om hem hoger te plaatsen. Een klikkend geluid betekent dat de riem vergrendeld is.

## Blokkering voorwielen

zie afbeeldingen 29

Druk de blokkering van de voorwielen omhoog om de bewegingsrichting te behouden. 29

**Tip** Aanbevolen wordt om de draaiblokkering op ongelijke oppervlakken te gebruiken.

## Remmen

zie afbeeldingen 30 - 31

Trap de remhendel omlaag om de wielen te blokkeren. 30

Licht de remhendel op om de wielen vrij te geven. 31

**Tip** Zet de rem altijd vast als de wandelwagen moet stilstaan.

## Kap gebruiken

zie afbeeldingen 32 - 34

De kap kan volledig worden geopend om uw kind zoveel mogelijk tegen de zon te beschermen; rits de rits 33 los en trek de kap naar voren.

## Handgreep instellen

zie afbeeldingen 35

## Zitje omdraaien

zie afbeeldingen 36 - 39

## Opbergtas gebruiken

zie afbeeldingen 40

De maximum belasting van de opbergtas A en B is 0,45 kg.

## wandelwagen opvouwen

zie afbeeldingen 41 - 49

! De knop in het midden van de instelhendel schuinstand wordt gebruikt voor het opvouwen van het zitje. 42 - 1

! De wandelwagen kan staan wanneer de handgreep in de hoogste stand staat. 46

! De opberggrendel haakt automatisch vast aan de opbergbeugel en daarna is de wandelwagen volledig opgevouwen en vergrendeld. 46 49

## Accessoires gebruiken

Accessoires kunnen al dan niet apart leverbaar zijn, afhankelijk van de regio.

## Gebruiken met babyzitje

zie afbeeldingen 50 - 55

Raadpleeg de volgende instructies bij het gebruik van het Joie-babyzitje i-Snug 2 & i-Gemm 3 & i-Level Recline & i-Jemini & Gemm.

! Een klikkend geluid betekent dat de adapter vergrendeld is.

! Als u problemen ondervindt bij het gebruik van het babyzitje, raadpleeg dan de betreffende handleidingen.

! Vouw de wandelwagen niet op als het babyzitje nog bevestigd is.

## De draagwieg gebruiken Ramble, Ramble XL

zie afbeeldingen 56 - 59

Bij gebruik met Joie ramble, ramble xl-draagwieg moet u de volgende instructies raadplegen:

! Een klikkend geluid betekent dat de adapter vergrendeld is.

! Gebruik altijd de matras bij gebruik van de draagwieg.



- ! Als u problemen ondervindt bij het gebruik van de draagwieg, raadpleeg dan de betreffende handleidingen.
- ! Vouw de wandelwagen niet op als de draagwieg daarop bevestigd is.

## De draagwieg gebruiken

zie afbeeldingen 60 - 63

Raadpleeg de volgende instructies bij het gebruik met het Joie-calmi autobed.

- ! Een klikkend geluid betekent dat de adapter vergrendeld is.
- ! Gebruik altijd de matras bij gebruik van het autobed.
- ! Controleer dat het gaas aan de onderkant van het autobed goed is bevestigd voorafgaand aan het installeren van het autobed.
- ! Als u problemen ondervindt bij het gebruik van het autobed, raadpleeg dan de betreffende handleidingen.
- ! Vouw de wandelwagen niet op als het autobed nog bevestigd is.

## Regenkap gebruiken

zie afbeeldingen 64

Plaats de regenkap over het zitje om deze te monteren.

- ! Controleer altijd op voldoende ventilatie als u de regenkap gebruikt.
- ! Controleer of de regenkap schoon en droog is voor u ze opvouwt.
- ! Vouw de wandelwagen niet op als de regenkap gemonteerd is.
- ! Zet uw kind niet bij warm in de wandelwagen als de regenkap gemonteerd is.

## Zachte voorwerpen los- en vastmaken

zie afbeeldingen 65 - 79

Verwijder de armsteun als afgebeeld 26

Om de zachte goederen weer te bevestigen, gaat u in omgekeerde volgorde te werk 79 - 65

## Reiniging en onderhoud

zie afbeeldingen 80

- ! Gebruik voor het schoonmaken van het frame alleen zeep en warm water. Geen bleekmiddel of schoonmaakmiddelen. Raadpleeg het verzorgingslabel voor instructies betreffende reiniging van de stoffen onderdelen van de wandelwagen.
- ! Verwijderbare zachte goederen kunnen in de machine worden gewassen. Geen bleekmiddel. De zachte voorwerpen en binnenvoering niet uitwringen om ze te drogen. Daardoor kunnen de stoelbedekking en binnenvoering kreukelen.
- ! Controleer de wandelwagen van tijd tot tijd op losse schroeven, slijtage, scheuren en beschadigde naden. Vervang of herstel de onderdelen als dat nodig is. Veeg de plastic onderdelen periodiek schoon met een zachte vochtige doek. Droog de metalen onderdelen om de vorming van roest te voorkomen als de wandelwagen in contact is geweest met water.
- ! Overmatige blootstelling aan zon of warmte kan vervagen of vervormen van onderdelen veroorzaken.
- ! Als de wandelwagen nat is geworden, moet u de kap openen en hem laten drogen voordat u hem opbergt.
- ! Als de wieltjes piepen, moet u dunne olie gebruiken (bijvoorbeeld siliconenspray, antiroest-olie of naaimachine-olie). De olie moet in de as en het wielstel komen. 80
- ! Als u de wandelwagen op het strand gebruikt, moet u hem goed schoonmaken na het gebruik om alle zand en zout van het mechanisme en de wielen te verwijderen.

## EL Καλώς ήλθατε στη Joie™

Συγχαρητήρια, γίνετε μέλος της οικογένειας Joie! Είμαστε ιδιαίτερα ενθουσιασμένοι που θα βρισκόμαστε μαζί στο ταξίδι σας με το μικρό σας. Κατά τις μετακινήσεις σας με το Joie Versatrax™, χρησιμοποιείτε ένα υψηλής ποιότητας, πλήρως πιστοποιημένο καροτσάκι που έχει εγκριθεί σύμφωνα με τα ευρωπαϊκά πρότυπα ασφαλείας EN 1888-2:2018+A1:2022. Αυτό το προϊόν είναι κατάλληλο για παιδιά βάρους μέχρι και 22 κιλών ή ηλικίας έως 4 ετών, όποιο συμβεί πρώτο. Διαβάστε προσεκτικά αυτό το εγχειρίδιο και ακολουθήστε κάθε βήμα για να εξασφαλίσετε άνετη μετακίνηση και βέλτιστη προστασία για το παιδί σας.

Επισκεφθείτε μας στο [joiebaby.com](http://joiebaby.com) για να κατεβάσετε εγχειρίδια και να δείτε κι άλλα συναρπαστικά προϊόντα Joie!

Για πληροφορίες σχετικά με την εγγύηση, επισκεφθείτε την ιστοσελίδα μας στο [joiebaby.com](http://joiebaby.com)

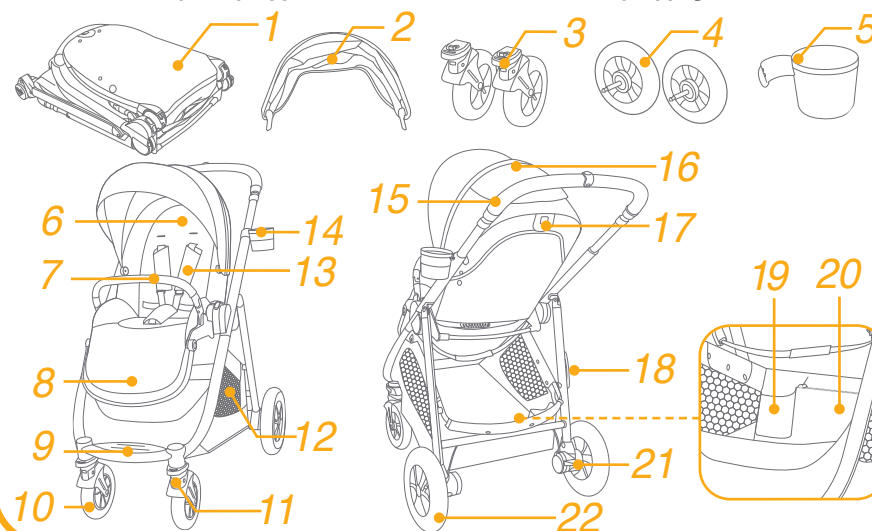
## Έκτακτη ανάγκη

Σε περίπτωση έκτακτης ανάγκης ή ατυχήματος, η παροχή των πρώτων βοηθειών στο παιδί σας και η άμεση αναζήτηση ιατρικής περίθαλψης αποτελούν επιτακτική ανάγκη.

## Λίστα εξαρτημάτων

Πριν από τη συναρμολόγηση βεβαιωθείτε ότι όλα τα εξαρτήματα είναι διαθέσιμα. Εάν λείπει οποιοδήποτε εξάρτημα, παρακαλούμε επικοινωνήστε με το κατάστημα λιανικής πώλησης. Δεν απαιτούνται εργαλεία για τη συναρμολόγηση.

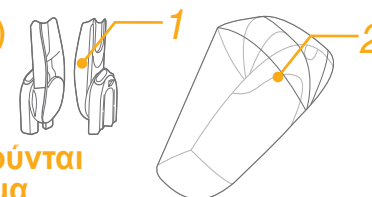
- |    |                     |    |                     |
|----|---------------------|----|---------------------|
| 1  | Πλαίσιο καροτσιού   | 12 | Καλάθι αποθήκευσης  |
| 2  | Κουκούλα            | 13 | Ιμάντας ώμου        |
| 3  | Μπροστινός τροχός   | 14 | Βάση δοχείου        |
| 4  | Πίσω τροχός         | 15 | Λαβή                |
| 5  | Βάση δοχείου        | 16 | Παράθυρο κουκούλας  |
| 6  | Μαξιλάρι καθίσματος | 17 | Μοχλός ανάκλισης    |
| 7  | Προστατευτική μπάρα | 18 | Μάνταλο αποθήκευσης |
| 8  | Στήριγμα ποδιών     | 19 | Σάκος αποθήκευσης A |
| 9  | Υποπόδιο            | 20 | Σάκος αποθήκευσης B |
| 10 | Μπροστινός τροχός   | 21 | Μοχλός φρένου       |
| 11 | Κλειδωμα τροχών     | 22 | Πίσω τροχός         |



## Εξαρτήματα

(Ενδέχεται να μην περιλαμβάνονται)

- 1 Προσαρμογέας
- 2 Κάλυμμα βροχής



Τα εξαρτήματα ενδέχεται να πωλούνται ξεχωριστά ή να μην είναι διαθέσιμα ανάλογα με την περιοχή.

## ΠΡΟΕΙΔΟΠΟΙΗΣΗ

- ! ΠΡΟΕΙΔΟΠΟΙΗΣΗ Μην αφήνετε ποτέ το παιδί σας χωρίς επίβλεψη.
- ! ΠΡΟΕΙΔΟΠΟΙΗΣΗ Βεβαιωθείτε ότι έχουν ενεργοποιηθεί όλες οι διατάξεις ασφάλειας πριν από τη χρήση.
- ! ΠΡΟΕΙΔΟΠΟΙΗΣΗ Για να αποφύγετε τραυματισμούς, βεβαιωθείτε ότι το παιδί σας παραμένει σε απόσταση όταν ανοίγετε και κλείνετε το καρότσι.
- ! ΠΡΟΕΙΔΟΠΟΙΗΣΗ Μην αφήνετε το παιδί σας να παίζει με αυτό το προϊόν.
- ! ΠΡΟΕΙΔΟΠΟΙΗΣΗ Κατάλληλο για παιδιά βάρους έως 22 κιλών ή ηλικίας έως 48 μηνών.
- ! ΠΡΟΕΙΔΟΠΟΙΗΣΗ Χρησιμοποιείτε πάντα το σύστημα συγκράτησης.
- ! ΠΡΟΣΟΧΗ Βεβαιωθείτε ότι το σώμα του καροτσιού, το κάθισμα και τα εξαρτήματα στερέωσης του καθίσματος είναι σωστά τοποθετημένα πριν τη χρήση.
- ! Αυτό το προϊόν δεν είναι κατάλληλο για τρέξιμο ή πατινάζ.
- ! Χρησιμοποιήστε το καροτσάκι αν το παιδί σας ζυγίζει λιγότερο 0-22 κιλά. Κίνδυνος πρόκλησης βλάβης στο καρότσι, αν το παιδί ζυγίζει περισσότερο.
- ! Για τα καρότσια που προορίζονται για χρήση από τη γέννηση συνιστάται η χρήση της πλέον οριζόντιας θέσης για τα νεογέννητα μωρά.
- ! Κατά την τοποθέτηση και την αφαίρεση του παιδιού πρέπει να ενεργοποιείται το φρένο.
- ! Για να αποφύγετε επικίνδυνες, ασταθείς καταστάσεις, μην τοποθετείτε αντικείμενα βάρους άνω των 4,5 κιλών στο καλάθι αποθήκευσης.
- ! Το μέγιστο συνιστώμενο βάρος για τη βάση δοχείου είναι 0,5 κιλά.
- ! Χρησιμοποιείτε το καρότσι μόνο με ένα παιδί τη φορά.
- ! Μην τοποθετείτε αντικείμενα στη λαβή, το πίσω κάθισμα ή στα πλαϊνά του καροτσιού. Οποιοδήποτε πρόσθετο βάρος θα επηρεάσει τη σταθερότητα και θα μπορούσε να προκαλέσει ανατροπή του καροτσιού.

- ! Κάθε φορτίο στη λαβή ή/και στο πίσω μέρος της πλάτης ή/και στις πλευρές του καροτσιού επηρεάζει τη σταθερότητα του καροτσιού.
- ! Εξαρτήματα που δεν έχουν εγκριθεί από τον κατασκευαστή δεν πρέπει να χρησιμοποιούνται. Πρέπει να χρησιμοποιούνται μόνο ανταλλακτικά που παρέχονται ή συνιστώνται από τον κατασκευαστή.
- ! Τα πορτ-μπεμπέ που χρησιμοποιούνται σε συνδυασμό με ένα πλαίσιο δεν αντικαθιστούν μια κούνια ή ένα κρεβάτι. Εάν το παιδί σας πρέπει να κοιμηθεί, τότε θα πρέπει να τοποθετηθεί σε κατάλληλο πορτ-μπεμπέ, κούνια ή κρεβάτι.
- ! Για την αποφυγή ασφυξίας, αφαιρέστε την πλαστική σακούλα και τα υλικά συσκευασίας πριν τη χρήση του προϊόντος. Η πλαστική σακούλα και τα υλικά συσκευασίας θα πρέπει στη συνέχεια να φυλάσσονται μακριά από μωρά και παιδιά.
- ! Το πορτ-μπεμπέ είναι κατάλληλο μόνο για παιδιά που δεν μπορούν να καθίσουν χωρίς βοήθεια, να γυρίσουν ή να ανασηκωθούν με τα χέρια και τα γόνατά τους. Μέγιστο βάρος παιδιού: 9 κιλά.
- ! ΜΗΝ χρησιμοποιείτε ή προσθέτετε άλλο στρώμα εκτός από αυτό που παρέχεται με το πορτ-μπεμπέ.
- ! Απαιτείται συναρμολόγηση από ενήλικο.
- ! Διαβάστε όλες τις οδηγίες σε αυτό το εγχειρίδιο πριν τη χρήση του προϊόντος. Φυλάξτε αυτό το εγχειρίδιο οδηγιών για μελλοντική χρήση. Σε περίπτωση που δεν ακολουθήσετε αυτές τις προειδοποιήσεις και οδηγίες, αυτό μπορεί να έχει ως αποτέλεσμα σοβαρό τραυματισμό ή ακόμη και θάνατο.
- ! Για να αποφύγετε σοβαρούς τραυματισμούς από πτώση ή ολίσθηση, χρησιμοποιείτε πάντα ζώνη ασφαλείας.
- ! Βεβαιωθείτε ότι το σώμα του παιδιού σας είναι μακριά από τα κινούμενα μέρη κατά τη ρύθμιση του καροτσιού.
- ! Ποτέ μην χρησιμοποιείτε το καρότσι σε σκάλες ή κυλιόμενες σκάλες.
- ! Διατηρείτε μακριά από αντικείμενα υψηλής θερμοκρασίας, υγρά και ηλεκτρονικό εξοπλισμό.
- ! Μην χρησιμοποιείτε το καρότσι σε δρόμους, πλαγιές ή επικίνδυνες περιοχές.
- ! Για να αποφύγετε τον στραγγαλισμό, ΜΗΝ τοποθετείτε αντικείμενα με κορδόνια γύρω από το λαιμό του παιδιού σας.

- ! ΜΗΝ χρησιμοποιείτε το καλάθι αποθήκευσης για να μεταφέρετε το παιδί.
- ! Για να αποφύγετε τραυματισμό των δακτύλων, πρέπει να προσέχετε όταν ανοίγετε και κλείνετε το καρότσι.
- ! Για να διασφαλίσετε την ασφάλεια του παιδιού σας, βεβαιωθείτε ότι όλα τα μέρη έχουν συναρμολογηθεί και στερεωθεί σωστά πριν χρησιμοποιήσετε το καρότσι.
- ! Για να αποφύγετε κίνδυνο στραγγαλισμού, βεβαιωθείτε ότι το παιδί σας είναι σε απόσταση από την κουκούλα.
- ! Ενεργοποιείτε πάντα τα φρένα κατά τη στάθμευση του καροτσιού.
- ! Διακόψτε τη χρήση του καροτσιού αν έχει υποστεί φθορά.
- ! Για να αποφύγετε εγκαύματα, μην βάζετε ποτέ ζεστά υγρά στη βάση δοχείου.
- ! Αυτό το προϊόν είναι κατάλληλο για παιδιά βάρους μέχρι και 22 κιλών ή ηλικίας έως 4 ετών, όποιο συμβεί πρώτο.

## Συναρμολόγηση καροτσιού

(Ανατρέξτε στις εικόνες στις σελίδες 1-15)

Διαβάστε όλες τις οδηγίες σε αυτό το εγχειρίδιο πριν τη συναρμολόγηση και χρήση του προϊόντος.

### Άνοιγμα καροτσιού

Δείτε τις εικόνες ① - ③

Ξεχωρίστε την ασφάλεια κλειδώματος από το κλιπ ① και μετά σηκώστε προς τα πάνω την χειρολαβή ②, ένας ήχος «κλικ» θα ακουστεί που σημαίνει ότι το καρότσι έχει ανοίξει.

! Βεβαιωθείτε ότι το καρότσι είναι σωστά ανοιγμένο πριν το χρησιμοποιήσετε.

! Μην πιέζετε το στήριγμα ποδιών ενώ ανοίγετε την πλάτη. ③  
- 1 Αν προβληθεί πρόβλημα, ανατρέξτε στην εικόνα ④ για να κλείσετε και να ανοίξετε ξανά την πλάτη.

### Συναρμολόγηση & αφαίρεση μπροστινού τροχού

Δείτε τις εικόνες ④ - ⑤

### Συναρμολόγηση & αφαίρεση πίσω τροχού

Δείτε τις εικόνες ⑥ - ⑦

### Συναρμολόγηση της κουκούλας

Δείτε τις εικόνες ⑧ - ⑩

### Συναρμολόγηση & αφαίρεση βάσης δοχείου

Δείτε τις εικόνες ⑪ - ⑫

Το πλήρως συναρμολογημένο καρότσι εμφανίζεται στην εικόνα ⑬

## Χρήση καροτσιού

### Ρύθμιση πλάτης

Δείτε τις εικόνες 14 - 15

Υπάρχουν 4 γωνίες κλίσης για την πλάτη.

Ανέβασμα πλάτης

Για να σηκώσετε την πλάτη του καθίσματος, στρέψτε τη λαβή στο πίσω μέρος του καθίσματος, τραβώντας την πλάτη προς τα πάνω. 14

Κατέβασμα πλάτης

Για να κατεβάσετε την πλάτη του καθίσματος, στρέψτε τη λαβή στο πίσω μέρος του καθίσματος, πιέζοντας την πλάτη προς τα κάτω. 15

! Μην πατάτε το κουμπί απελευθέρωσης 14 - 3 & 15 - 3 στη μέση της λαβής κλίσης όταν ρυθμίζετε τη γωνία κλίσης.

! Βεβαιωθείτε ότι η κλίση έχει ρυθμιστεί σωστά.

### Χρήση της πόρπης

Δείτε τις εικόνες 16 - 17

Άνοιγμα πόρπης

Πιέστε το κεντρικό κουμπί για να ανοίξετε την πόρπη. 16

Κλείδωμα πόρπης

Ταιριάξτε τον ιμάντα μέσης με τον ιμάντα ώμων 17 - 1 και κουμπώστε την πόρπη. 17 - 2 Ένας ήχος “κλικ” σημαίνει ότι η πόρπη έχει ασφαλίσει σωστά. 17 - 3

! Για να αποφύγετε σοβαρούς τραυματισμούς από πτώση ή ολίσθηση, χρησιμοποιείτε πάντα τους ιμάντες.

! Βεβαιωθείτε ότι το παιδί σας είναι δεμένο σωστά. Βεβαιωθείτε ότι ο χώρος μεταξύ του παιδιού και του ιμάντα ώμου είναι περίπου το πάχος ενός χεριού.

! Μην σταυρώνετε τους ιμάντες ώμου. Αυτό θα ασκήσει πίεση στον αυχένα του παιδιού.

## Χρήση των ιμάντων ώμων και μέσης

Δείτε τις εικόνες 18 - 23

! Για να προστατέψετε το παιδί σας από πτώσεις, αφού το τοποθετήσετε στο κάθισμα, ελέγξτε εάν οι ιμάντες ώμων και μέσης έχουν ρυθμιστεί σωστά.

18 - 1 Πρόσδεση ώμων άγκυρα A

18 - 2 Πρόσδεση ώμων άγκυρα B

18 - 3 Ρύθμιση μήκους

Για μεγαλύτερα παιδιά χρησιμοποιείτε την άγκυρα A και τις υψηλότερες υποδοχές για την ζώνη ώμων. Για μικρότερα παιδιά χρησιμοποιείτε την άγκυρα B και τις χαμηλότερες υποδοχές ώμων.

Για να ρυθμίσετε τη θέση του άγκιστρου των ιμάντων ώμων, στρέψτε το άγκιστρο ώστε να είναι επίπεδο με το πλαϊνό τμήμα στραμμένο προς τα εμπρός. Περάστε το από την υποδοχή από πίσω προς τα εμπρός. 21 Περάστε το ξανά από την υποδοχή που είναι πιο κοντά στο ύψος των ώμων του παιδιού. 22

Χρησιμοποιήστε το ρυθμιστικό για να προσαρμόσετε το μήκος του ιμάντα. 23 - 1

Πατήστε το κουμπί 23 - 2 ρυθμίζοντας τον ιμάντα μέσης στο σωστό μήκος. 23 - 3

## Χρήση της προστατευτικής μπάρας

Δείτε τις εικόνες 24 - 26

### Ρύθμιση στηρίγματος ποδιών

Δείτε τις εικόνες 27 - 28

Το στήριγμα ποδιών έχει 2 θέσεις.

Για να κατεβάσετε το στήριγμα ποδιών, πατήστε τα κουμπιά ρύθμισης και στις δύο πλευρές του στηρίγματος ποδιών 27 - 1 και περιστρέψτε το στήριγμα προς τα κάτω. 27 - 2

Για να ανεβάσετε το στήριγμα ποδιών, ωθήστε το προς τα πάνω. Ένας ήχος “κλικ” σημαίνει ότι το στήριγμα έχει ασφαλίσει σωστά.

## Χρήση της ασφάλειας μπροστινών τροχών

Δείτε τις εικόνες 29

Ανασηκώστε τις ασφάλειες των μπροστινών τροχών για να εμποδίσετε την περιστροφή των τροχών και να διατηρήσετε την κατεύθυνση κίνησης. 29

**Συμβουλή** Συνιστάται η χρήση των ασφαλειών των μπροστινών τροχών σε ανώμαλες επιφάνειες.

## Χρήση του φρένου

Δείτε τις εικόνες 30 - 31

Για να ασφαλίσετε τους τροχούς, πιέστε τον μοχλό φρένων προς τα κάτω. 30

Για να απελευθερώσετε τροχούς, απλά ανασηκώστε τον μοχλό φρένων. 31

**Συμβουλή** Ενεργοποιείτε πάντα το φρένο όταν το καρότσι δεν κινείται.

## Χρήση της κουκούλας

Δείτε τις εικόνες 32 - 34

Η κουκούλα μπορεί να ανοίξει πλήρως για την προστασία του παιδιού σας από τον ήλιο. Απλά ανοίξτε φερμουάρ 33 και, στη συνέχεια, τραβήξτε την κουκούλα προς τα εμπρός.

## Ρύθμιση λαβής

Δείτε τις εικόνες 35

## Αλλαγή καθίσματος

Δείτε τις εικόνες 36 - 39

## Χρήση σάκου αποθήκευσης

Δείτε τις εικόνες 40

Το μέγιστο φορτίο των σάκων αποθήκευσης A και B είναι 0,45 κιλά.

## Αναδίπλωση καροτσιού

Δείτε τις εικόνες 41 - 49

! Το κουμπί στο κέντρο του μοχλού ανάκλισης χρησιμοποιείται για την αναδίπλωση του καθίσματος. 42 - 1

! Το καρότσι μπορεί να σταθεί όταν η λαβή βρίσκεται στην υψηλότερη θέση. 46

! Θα κλείσει αυτόματα όταν η ασφάλεια κλειδώματος « κλείσει» με το κλιπ ασφαλείας 46 49

## Χρήση των εξαρτημάτων

Τα εξαρτήματα ενδέχεται να πωλούνται ξεχωριστά ή να μην είναι διαθέσιμα ανάλογα με την περιοχή.

## Χρήση με κάθισμα

Δείτε τις εικόνες 50 - 55

Κατά τη χρήση με το παιδικό κάθισμα Joie i-Snug 2 & i-Gemm 3 & i-Level Recline & i-Jemini & Gemm, παρακαλούμε ανατρέξτε στις παρακάτω οδηγίες.

! Ένας ήχος “κλικ” σημαίνει ότι ο προσαρμογέας έχει ασφαλίσει σωστά.

! Εάν αντιμετωπίζετε οποιαδήποτε προβλήματα σχετικά με τη χρήση του καθίσματος, ανατρέξτε στο σχετικό εγχειρίδιο οδηγιών.

! Μην κλείνετε το καρότσι όταν είναι τοποθετημένο το κάθισμα.

## Χρήση πορτ μπεμπέ Rambler, Rambler XL

Δείτε τις εικόνες 56 - 59

Κατά τη χρήση με το πορτ-μπεμπέ Joie Rambler, Rambler XL, παρακαλούμε ανατρέξτε στις παρακάτω οδηγίες.

! Ένας ήχος “κλικ” σημαίνει ότι ο προσαρμογέας έχει ασφαλίσει σωστά.

! Χρησιμοποιείτε πάντα το στρώμα όταν χρησιμοποιείτε το πορτ-μπεμπέ.

! Εάν αντιμετωπίζετε οποιαδήποτε προβλήματα σχετικά με τη χρήση του πορτ-μπεμπέ, ανατρέξτε στο σχετικό εγχειρίδιο οδηγιών.

! Μην κλείνετε το καρότσι όταν είναι τοποθετημένο το πορτ-μπεμπέ.

## Χρήση πορτ μπεμπέ Δείτε τις εικόνες 60 - 63

Κατά τη χρήση με το πορτ-μπεμπέ Joie calmi, παρακαλούμε ανατρέξτε στις ακόλουθες οδηγίες.

- ! Ένας ήχος “κλικ” σημαίνει ότι ο προσαρμογέας έχει ασφαλίσει σωστά.
- ! Χρησιμοποιείτε πάντα το στρώμα όταν χρησιμοποιείτε το πορτ-μπεμπέ.
- ! Βεβαιωθείτε ότι το πλέγμα στο κάτω μέρος του πορτ-μπεμπέ έχει στερεωθεί σωστά πριν από την εγκατάσταση του πορτ-μπεμπέ.
- ! Εάν αντιμετωπίζετε οποιαδήποτε προβλήματα σχετικά με τη χρήση του πορτ-μπεμπέ, ανατρέξτε στο σχετικό εγχειρίδιο οδηγιών.
- ! Μην κλείνετε το καρότσι όταν είναι τοποθετημένο το πορτ-μπεμπέ.

## Χρήση του καλύμματος βροχής Δείτε τις εικόνες 64

Για να συναρμολογήσετε το κάλυμμα βροχής, τοποθετήστε το πάνω από το κάθισμα.

- ! Όταν χρησιμοποιείτε το κάλυμμα βροχής, ελέγχετε πάντα τον αερισμό του καροτσιού.
- ! Όταν δεν χρησιμοποιείται, ελέγξτε ότι το κάλυμμα βροχής είναι καθαρό και στεγνό πριν το διπλώσετε.
- ! Μην κλείνετε το καρότσι όταν είναι τοποθετημένο το κάλυμμα βροχής.
- ! Μην τοποθετείτε το παιδί σας στο καρότσι με το κάλυμμα βροχής τοποθετημένο αν ο καιρός είναι ζεστός.

## Αφαίρεση και συναρμολόγηση μαλακών στοιχείων

### Δείτε τις εικόνες 65 - 79

Αφαιρέστε την προστατευτική μπάρα όπως φαίνεται στην εικόνα 26

Για να τοποθετήσετε ξανά τα μαλακά στοιχεία, ακολουθήστε τα παραπάνω βήματα με αντίστροφη σειρά 79 - 65

## Καθαρισμός και συντήρηση

### Δείτε τις εικόνες 80

- ! Για να καθαρίσετε το πλαίσιο του καροτσιού, χρησιμοποιήστε οικιακό σαπούνι και ζεστό νερό. Μην χρησιμοποιείτε λευκαντικό ή απορρυπαντικό. Ανατρέξτε στην ετικέτα φροντίδας για οδηγίες σχετικά με τον καθαρισμό των υφασμάτινων τμημάτων του καροτσιού.
- ! Τα αφαιρούμενα μαλακά στοιχεία μπορούν να πλυθούν στο πλυντήριο. Μην χρησιμοποιείτε λευκαντικό. Μη στύβετε υπερβολικά το κάλυμμα του καθίσματος και την εσωτερική επένδυση για να στεγνώσουν. Αυτό ενδέχεται να δημιουργήσει ζάρες στο κάλυμμα του καθίσματος και την εσωτερική επένδυση.
- ! Ελέγχετε περιοδικά το καρότσι για χαλαρές βίδες, φθαρμένα εξαρτήματα, σχισμένο υλικό ή φθορές. Αντικαταστήστε ή επισκευάστε τα εξαρτήματα όπως απαιτείται. Περιστασιακά, σκουπίζετε τα πλαστικά μέρη με ένα μαλακό υγρό πανί. Στεγνώνετε πάντα τα μεταλλικά μέρη για να αποτρέψετε τη δημιουργία σκουριάς εάν το καρότσι έρθει σε επαφή με το νερό.
- ! Η υπερβολική έκθεση στον ήλιο ή τη θερμότητα μπορεί να προκαλέσει ξεθώριασμα ή παραμόρφωση των εξαρτημάτων.
- ! Εάν το καρότσι βραχεί, ανοίξτε την κουκούλα και αφήστε το να στεγνώσει καλά πριν το αποθηκεύσετε.
- ! Εάν οι τροχοί τρίζουν, χρησιμοποιήστε ένα ελαφρύ λάδι (π.χ. σπρέι πυριτίου, αντισκωριακό λάδι ή λάδι ραπτομηχανής). Είναι σημαντικό να εισέλθει το λάδι στο συγκρότημα άξονα και τροχού. 80
- ! Όταν χρησιμοποιείτε το καροτσάκι σας στην παραλία ή σε χώρους με άμμο/σκόνη, καθαρίστε πλήρως το καροτσάκι σας μετά τη χρήση για να αφαιρέσετε άμμο και αλάτι από τους μηχανισμούς και τα συγκροτήματα τροχών.

## DA Velkommen til Joie™

Tillykke og velkommen til Joie-familien! Vi er så glade for at være en del af din rejse med den lille. Når du er på tur med din Joie Versatrax™, bruger du en klapvogn i høj kvalitet som er fuldt certificeret og godkendt iht. de europæiske sikkerhedsstandarder EN 1888-2:2018+A1:2022. Dette produkt er beregnet til børn op til 22 kg eller 4 år, hvad enten der kommer først. Læs denne vejledning omhyggeligt og følg alle trinene så du sikrer, at dit barn har det behageligt og er ordentligt beskyttet under turen.

Besøg os på [joiebaby.com](http://joiebaby.com), hvor du kan downloade vejledninger og se flere spændende Joie-produkter!

Besøg vores websted på [joiebaby.com](http://joiebaby.com) for at få oplysninger om garanti

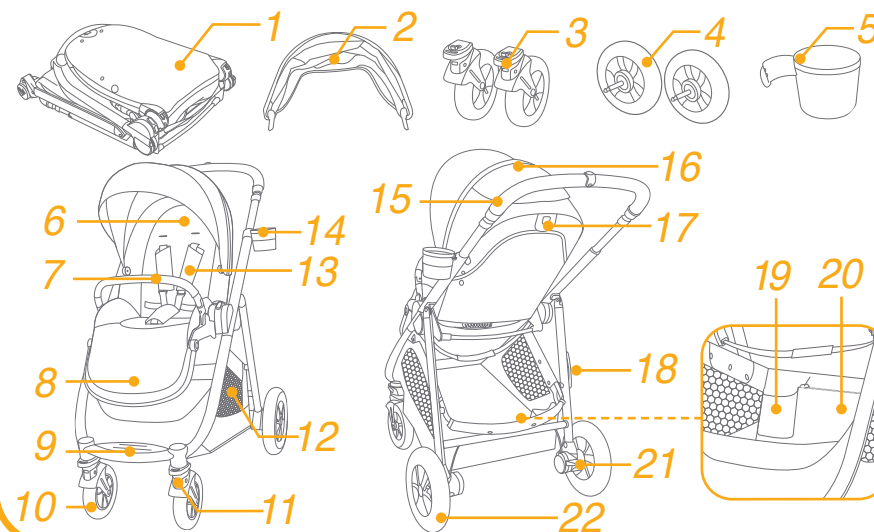
## Nødssituation

I tilfælde af en nødsituation eller ulykke er det vigtigst, at dit barn straks får førstehjælp og lægebehandling.

## Liste over dele

Kontroller, at alle delene følger med, inden du begynder at samle produktet. Hvis der mangler nogen dele, bedes du venligst kontakte din lokale forhandler. Der skal ikke bruges værktøj til at samle produktet.

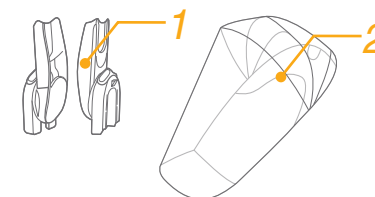
- |    |               |    |                                   |
|----|---------------|----|-----------------------------------|
| 1  | Klapvognsstel | 12 | Opbevaringskurv                   |
| 2  | Kaleche       | 13 | Skuldersele                       |
| 3  | Forhjul       | 14 | Kopholder                         |
| 4  | Baghjul       | 15 | Håndtag                           |
| 5  | Kopholder     | 16 | Kalechevindue                     |
| 6  | Sædepude      | 17 | Håndtag til at læne sædet tilbage |
| 7  | Armstøtte     | 18 | Opbevaringslås                    |
| 8  | Lægstøtte     | 19 | Opbevaringspose A                 |
| 9  | Fodhviler     | 20 | Opbevaringspose B                 |
| 10 | Forhjul       | 21 | Bremsegreb                        |
| 11 | Hjulslås      | 22 | Baghjul                           |



## Tilbehør

(medfølger muligvis ikke)

- |   |          |
|---|----------|
| 1 | Adapter  |
| 2 | Regnslag |



Tilbehør sælges muligvis separat og er muligvis ikke tilgængeligt i dit område.



## ADVARSEL

- ! ADVARSEL Efter aldrig barnet uden opsyn.
- ! ADVARSEL Sørg for, at alle låsene er låst inden brug.
- ! ADVARSEL For at undgå skader, skal børn altid holdes væk fra produktet, når du folder det ud eller sammen.
- ! ADVARSEL Lad ikke barnet lege med dette produktet.
- ! ADVARSEL Egned til børn op til 22 kg eller op til 48 måneder.
- ! ADVARSEL Brug altid fastspændingssystemet.
- ! Kontroller, at stellets eller sædets eller autostolens fastgørelses enheder korrekt indkoblet før brug.
- ! Dette produkt er ikke beregnet til brug under løb eller skating.
- ! Brug klapvognen til børn der vejer 0-22 kg. Tungere børn kan beskadige klapvognen.
- ! Det anbefales at bruge en særligt egnet skråstol i tilbagelænet tilstand til babyer.
- ! Parkeringsbremsen skal slås til, når du skal anbringe barnet eller tage det op.
- ! For at forhindre en farlig, ustabil tilstand, må du ikke anbringe mere end 4,5 kg i opbevaringskurven.
- ! Den anbefalede vægt i kopholderen er 0,5kg (1lbs).
- ! Brug kun klapvognen med ét barn ad gangen.
- ! Læg ikke genstande på håndtaget, ryglænet eller på klapvognens sides. Enhver ekstra belastning vil påvirke klapvognens stabilitet og kunne medføre, at klapvognen vipper.
- ! Enhver vægt, der anbringes på håndtaget, bag på ryglænet eller på siderne af klapvognen vil påvirke stabiliteten.
- ! Brug ikke tilbehør, der ikke er godkendt af producenten. Brug kun reservedele, som leveres eller er godkendt af fabrikanten.

- ! Dette produkt kan ikke, sammen med autostolen, erstatte en barneseng eller en seng til spædbørn. Hvis barnet skal sove, bør du anbringe det i en passende barnevognskasse, barneseng eller seng.
- ! For at undgå kvælning skal plastikposen og alle emballagematerialer fjernes, inden produktet tages i brug. Plastikposen og emballagen skal derefter holdes væk fra babyer og børn.
- ! En babylift er kun beregnet til et barn, der ikke selv kan sidde op, rulle over, eller skubbe sig selv op med hænder og knæ. Barnets maksimale vægt: 9 kg.
- ! Der må IKKE bruges eller lægges en anden madras i babyliften end den, der følger med.
- ! Kræver samling af en voksen.
- ! Læs alle instrukserne i brugsanvisningen, før du bruger produktet. Gem brugsanvisningen til senere brug. Manglende overholdelse af disse advarsler og instruktioner kan medføre alvorlige kvæstelser eller dødsfald.
- ! For at undgå, at barnet kommer til skade ved at falde eller glide ud, skal du altid bruge sikkerhedssele.
- ! Sørg for at dit barns krop går fri fra de bevægelige dele, når du justerer klapvognen.
- ! Brug aldrig klapvognen på trapper eller rulletrapper.
- ! Hold produktet væk fra varme genstande, væsker og elektronik.
- ! Efterlad aldrig klapvognen på vejen, på skråninger eller andre farlige steder.
- ! For at undgå kvælning må DU IKKE lægge noget rundt om barnets hals.
- ! Brug IKKE opbevaringskurven som barnelift.
- ! For at undgå klemte fingre, skal du altid være forsigtig, når du falder klapvognen sammen eller ud.
- ! Af hensyn til barnets sikkerhed skal du altid sikre dig, at alle dele er samlet og monteret korrekt, før du bruger klapvognen.

- ! For at undgå strangulering skal du sørge for, at dit barn er fri af kalechen.
- ! Slå altid bremserne til, når du parkerer klapvognen.
- ! Stop med at bruge klapvognen, hvis den er beskadiget eller ødelagt.
- ! For at undgå forbrændinger må du aldrig komme varme væsker i din kopholder.
- ! Dette produkt er beregnet til børn op til 22 kg eller 4 år, hvad enten der kommer først.

## Sådan samles klapvognen

(Se venligst billederne på 1-15)

Læs alle instruktionerne i denne vejledning, inden du samler og tager produktet i brug.

### Åbn klapvogn

Se billederne ① - ③

Løsn opbevaringslåsen fra låsebeslaget ①, og løft derefter håndtaget opad. ②

! Kontroller at klapvognen er foldet helt ud, før du går videre.

! Tryk venligst ikke på lægstøtten når ryglænet åbnes. ③ - 1  
Hvis gør det, benchmark venligst ④ for at folde ryglænet og åbne det igen.

### Sådan monteres og afmonteres forhjulene

Se billederne ④ - ⑤

### Sådan monteres og afmonteres baghjulene

Se billederne ⑥ - ⑦

### Montering af kaleche

Se billederne ⑧ - ⑩

### Monter & afmonter kopholder

Se billederne ⑪ - ⑫

Den færdigsamlede klapvogn er vist som ⑬

## Sådan bruges klapvognen

### Juster ryglænet

se billederne 14 - 15

Ryglænet har 4 lænevinkler.

Hæv ryglænet

For at hæve ryglænet roteres håndtaget til at læne sædet tilbage bag på sædet, og ryglænet trækkes op. 14

Læg ryglænet tilbage

For at sænke ryglænet roteres håndtaget til at læne sædet tilbage bag på sædet, og ryglænet lægges tilbage. 15

! Tryk venligst ikke på frigøringsknappen 14 - 3&15 - 3 på midten at håndtaget til tilbagelæning når vinklen til tilbagelæning justeres.

! Indstil ryglænet i en passende vinkel.

### Brug spændet

Se billederne 16 - 17

Spænd spændet op

Tryk på midterknappen for at løsne spændet. 16

Lås spændet

Tilpas taljebæltespændet til skulderspændet 17 - 1, og klik det ind i midterspændet. 17 - 2 Et "Klik" betyder, at låsen er låst. 17 - 3

! For at undgå, at barnet kommer til skade ved at falde eller glide ud, skal du altid bruge selen til barnet.

! Sørg for at dit barn sidder godt fastspændt. Afstanden mellem barnet og skulderselerne skal være ca. som tykkelsen af en hånd.

! Kryds ikke skulderremmene. Dette vil medføre pres på barnets hals.

## Brug skulder- og taljeseler

Se billederne 18 - 23

! Når barnet sidder i autostolen, skal du sørge for, at skulder- og taljeselerne er i den korrekte højde og længde, så barnet ikke kan falde ud.

18 - 1 Spænde A på skuldersele

18 - 2 Spænde B på skuldersele

18 - 3 Glidejustering

Til større børn skal du bruge spænde A på skulderselen og de øverste huller. Til mindre børn skal du bruge spænde B på skulderselen og de nederste huller. For at justere placeringen af spændet, skal det vendes så det flugter med siden, der vender fremad.

Hvis du vil justere placeringen af fastgørelsespunktet for skuldersele, skal du vende spændet, så det ligger plant fremad. Stik det igennem skulderselen bagfra. 21 Før den igennem det hul, der er tættest på barnets skulderhøjde. 22

Brug glidejusteringen til at ændre selens længde. 23 - 1

Tryk på knappen 23 - 2, mens taljeselen trækkes til den korrekte længde. 23 - 3

## Brug af armstøtte

Se billederne 24 - 26

## Justere lægstøtten

Se billederne 27 - 28

Lægstøtten har 2 indstillinger.

For støtte af læggen trykkes på justeringsknapperne på begge sider af lægstøtten 27 - 1, og drej lægstøtten nedad. 27 - 2

For at hæve lægstøtten skubbes den opad. Der lyder et "klik", når den er låst på plads.

## Brug forhjulslåsen

se billederne 29

Skub forreste hjullås op for at fastholde retningen. 29

**Tip** Det anbefales at bruge hjullåsen på ujævne overflader.

## Brug af bremsen

Se billederne 30 - 31

Træd på bremsepedalen, for at låse hjulene. 30

For at låse hjulene op, skal du løfte bremsepedalen op. 31

**Tip** Lås altid hjulene, når du ikke kører med klapvognen.

## Brug kalechen

Se billederne 32 - 34

Kalechen kan åbnes helt for at beskytte dit barn mod solen, bare åbn lynlåsen 33, og træk kalechen fremad.

## Justering af håndtaget

se billederne 35

## Skift af sæde

Se billederne 36 - 39

## Brug af opbevaringspose

se billederne 40

Maksimumbelastningen på opbevaringspose A og B er 0,45kg.

## Sådan foldes klapvognen sammen

Se billederne 41 - 49

! Knappen midt på håndtaget til tilbagelæning bruges til at folde sædet. 42 - 1

! Klapvognen kan stå op, når håndtaget er på den højeste indstilling. 46

! Opbevaringslåsen låser sig automatisk fast på låsebeslaget, så klapvognen er foldet helt sammen og låst. 46 49

## Brug af tilbehør

Tilbehør sælges muligvis separat og er muligvis ikke tilgængeligt i dit område.

## Brug med babyautostol

Se billederne 50 - 55

Hvis produktet bruges med en Joie babyautostol i-Snug 2 & i-Gemm 3 & i-Level Recline & i-Jemini & Gemm, bedes du venligst følge følgende vejledninger.

! Der lyder et "klik", når adapteren er låst helt.

! Hvis du har spørgsmål om brug af autostolen, bedes du venligst se brugervejledningen til denne.

! Klapvognen må ikke foldes sammen, når autostolen stadig er i klapvognen.

## Brug af babyliften Ramble, Ramble XL

Se billederne 56 - 59

Når Joie ramble, ramble xl babylift anvendes, så se venligst følgende instruktioner.

! Der lyder et "klik", når adapteren er låst helt.

! Brug altid madrassen når babyliften anvendes.

! Hvis du har spørgsmål om brug af babyliften, bedes du venligst se brugervejledningen til denne.

! Klapvognen må ikke foldes sammen, når babyliften stadig er i klapvognen.

## Brug af babyliften

se billede 60 - 63

Når denne bruges med Joie calmi bilseng, skal du se følgende vejledninger.

! Der lyder et "klik", når adapteren er låst helt.

! Brug altid madrassen, når bilsengen bruges.

! Kontroller at nettet sidder ordentligt fast på bunden af bilsengen, før den monteres

! Hvis du har spørgsmål om brug af bilsengen, bedes du venligst se brugervejledningen til denne.

! Klapvognen må ikke foldes sammen, når bilsengen stadig er i klapvognen.

## Brug af regnslaget

se billederne 64

For at samle regnslaget, skal det placeres over sædet.

! Når regnslaget bruges, skal du altid sørge for at der er ventilation.

! Inden regnslaget pakkes sammen, skal du sørge for at det er blevet rengjort og er ordentligt tørt.

! Fold ikke klapvognen sammen, når regnslaget sidder på.

! Undgå, at barnet sidder i klapvognen med regnslaget på i varmt vejr.

## Afmonter og samling af bløde varer

Se billederne 65 - 79

Fjern armstøtte vist som 26

For at samle sædets bløde varer igen, så følg trinene ovenfor i omvendt rækkefølge 79 - 65

## Rengøring og vedligeholdelse

se billederne 80

! Stellet må kun rengøres med almindeligt sæbevand. Det må ikke rengøres med blegemiddel eller rengøringsmidler. Se venligst rengøringsinstruktionerne på stofdelene på klapvognen.

! Aftagelige bløde varer kan vaskes med maskine. Den må ikke vaskes med blegemiddel. Undgå at vride sædebetræk og puder for at tørre med stor kraft. Det kan give delene folder.

! Kontroller regelmæssigt klapvognen for løse skruer, slidte dele, ødelagt stof eller syninger. Udskift eller reparer delene efter behov. Tør regelmæssigt plastikdelene af med en fugtig klud. Tør altid metaldelene af, så de ikke rustner, hvis klapvognen er kommet i kontakt med vand.

! Hvis klapvognen udsættes for sol eller varme i længere tid, kan nogle af delene blive slidt eller skæve.

! Hvis klapvognen bliver våd, skal du åbne kalechen, og lad den tørre grundigt inden den gemmes væk.

! Hvis hjulene piber, skal de smøres med en let olie (fx silikonespray, rustfrit olie eller symaskineolie). Det er vigtigt at få olien ind i akslen og hjulsamlingen. 80

! Hvis klapstolen bruges på en strand eller andre sandede/støvede miljøer, skal den rengøres grundigt efter brug. Fjern alt sand og salt på de mekaniske dele og på hjulsamlingerne.

## SV Välkommen till Joie™

Gratulerar till att ha blivit en del av Joie-familjen! Vi är mycket glada över att vara delaktiga i din resa med ditt lilla barn. När du använder en Joie Versatrax™ använder du en högkvalitets-, fullt certifierad sittvagn som godkänts av europeiska säkerhetsstandarden EN 1888-2:2018+A1:2022. Den här produkten är lämplig för barn upp till 22 kg eller 4 år beroende på vilket som inträffar först. Läs noga igenom denna bruksanvisning och följ alla steg för att garantera en komfortabel resa och bästa skyddet för ditt barn.

Besök oss på [joiebaby.com](http://joiebaby.com) för att ladda ned bruksanvisningar och se fler spännande Joie-produkter!

Besök vår webbplats [joiebaby.com](http://joiebaby.com) för att få garantiinformation

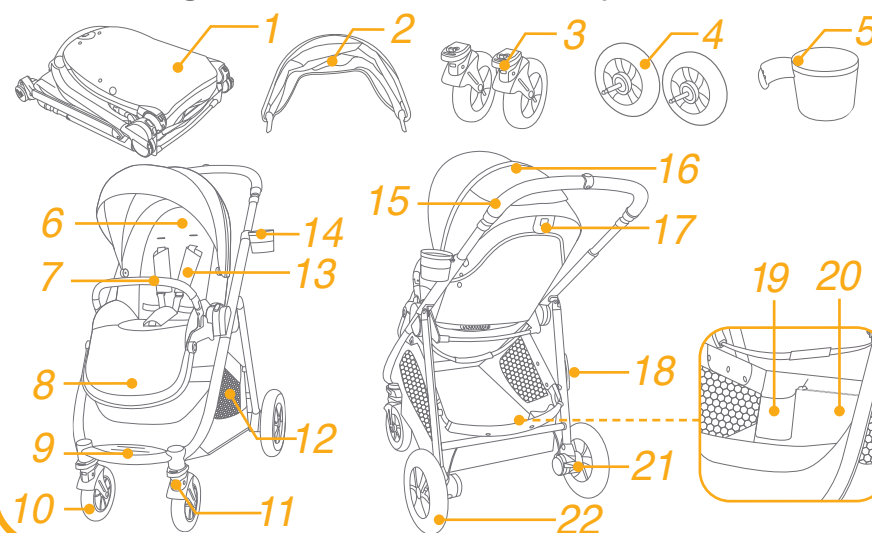
## Nödfall

Vid nödfall eller en olycka är det mycket viktigt att barnet omedelbart får första hjälpen och medicinsk behandling.

## Lista över delar

Kontrollera att alla delar är tillgängliga före montering. Om någon del saknas, kontakta återförsäljaren. Inga verktyg behövs för montering.

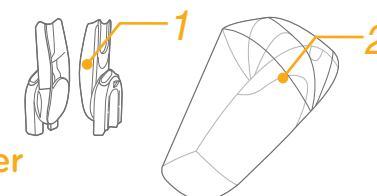
- |    |                 |    |                   |
|----|-----------------|----|-------------------|
| 1  | Sittvagnens ram | 12 | Förvaringskorg    |
| 2  | Sufflett        | 13 | Axelsele          |
| 3  | Framhjul        | 14 | Mugghållare       |
| 4  | Bakhjul         | 15 | Handtag           |
| 5  | Mugghållare     | 16 | Sufflettfönster   |
| 6  | Sittdyna        | 17 | Lutningshandtag   |
| 7  | Armstöd         | 18 | Förvaringsspärr   |
| 8  | Benstöd         | 19 | Förvaringsväska A |
| 9  | Fotstöd         | 20 | Förvaringsväska B |
| 10 | Framhjul        | 21 | Bromsspak         |
| 11 | Riktningsslås   | 22 | Bakhjul           |



## Tillbehör

(medföljer eventuellt inte)

- |   |           |
|---|-----------|
| 1 | Adapter   |
| 2 | Regnskydd |



Tillbehör kan säljas separat eller så kan de vara tillgängliga beroende på region.

## VARNING

- ! VARNING Lämna aldrig barnet utan uppsikt.
- ! VARNING Kontrollera att alla spärrar är inkopplade före användning.
- ! VARNING För att undvika skador så kontrollera att ditt barn hålls undan när den här produkten fälls upp och fälls ihop.
- ! VARNING Låt inte dina barn leka med den här produkten.
- ! VARNING Lämplig för barn upp till 22 kg eller upp till 48 månader.
- ! VARNING Använd alltid fasthållningsanordningssystemet.
- ! VARNING Kontrollera att liggdelen eller tillbehörsenheter till fasthållningsanordningen för spädbarn är ordenligt fastsatta innan användning.
- ! Den här produkten är inte lämplig att springa eller rullskridskoåkning.
- ! Använd sittvagnen med ett barn som väger 0-22 kg. Det skadar sittvagnen om barnet inte passar i den.
- ! Sittvagn som är konstruerad att användas från födseln ska rekommendera användningen för den maximala lutningspositionen för nyfödda barn.
- ! Parkeringsenheten ska användas när barn sätts i eller tas ut.
- ! För att förhindra ett farligt och instabilt skick ska inte mer än 4,5 kg placeras i förvaringskorgen.
- ! Den maximala rekommenderade vikten i mugghållaren är 0,5 kg.
- ! Använd sittvagnen med bara ett barn åt gången.
- ! Fäst inte föremål på handtaget, sätets baksida eller sittvagnens sidor. Alla ytterligare belastningar påverkar sittvagnens stabilitet och kan göra så att sittvagnen välter.
- ! All last som fästs på handtaget och/eller ryggstödet baksida och/eller på sittvagnens sidor påverkar sittvagnens stabilitet.
- ! Accessoarier som inte är godkända av tillverkaren ska inte användas. Endast utbytesdelar som tillhandahålls eller rekommenderas av tillverkaren ska användas.

- ! Fasthållningsanordningar för spädbarn som används tillsammans med chassin ersätter inte en barnsäng eller säng. Om ditt barn behöver sova ska det placeras i en lämplig liggdel, barnsäng eller säng.
- ! För att undvika kvävningrisk, ta bort plastpåsen och förpackningsmaterialet innan produkten används. Plastpåsen och förpackningsmaterialet måste sedan hållas borta från spädbarn och barn.
- ! Babyliften är endast lämplig för barn som inte kan sitta upp själv, rulla över eller komma upp på sina händer och knän. Barnets maximala vikt: 9 kg.
- ! Använd INTE eller lägg till någon annan madrass än den som följde med babyliften.
- ! Måste monteras av vuxen.
- ! Läs igenom alla instruktionerna i bruksanvisningen innan produkten används. Spara bruksanvisningen för framtida användning. Underlåtenhet att följa dessa varningar och instruktioner kan resultera i allvarlig skada eller dödsfall.
- ! För att undvika allvarliga skador, från att barnet faller eller glider ur, ska säkerhetsbältet alltid användas.
- ! Var noga med att ditt barns kropp inte är i vägen för rörliga delar när du justerar sittvagnen.
- ! Använd aldrig sittvagnen i trappor eller rulltrappor.
- ! Håll på avstånd från föremål som har hög temperatur, vätskor och elektronik.
- ! Placera aldrig sittvagnen på vägar, sluttningar eller i farliga områden.
- ! För att förhindra strypning, placera INTE föremål med snöre runt barnets hals.
- ! Använd INTE förvaringskorgen för att bära barnet.
- ! För att undvika att fingrar fastnar så var försiktig när sittvagnen fälls ihop och fälls upp.
- ! För att säkerställa ditt barns säkerhet så var noga med att alla delar är ordentligt monterade innan du använder sittvagnen.

- ! För att undvika strypning så kontrollera att ditt barn är på avstånd från suffletten.
- ! Använd alltid bromsarna när du parkerar sittvagnen.
- ! Sluta använd sittvagnen om den är skadad eller trasig.
- ! För att undvika brännskador så placera aldrig varma vätskor i din mugghållare.
- ! Den här produkten är lämplig för barn upp till 22 kg eller 4 år beroende på vilket som inträffar först.

## Montera sittvagnen

(se figurer på sida 1-15)

Läs igenom alla instruktionerna i denna bruksanvisning innan den här produkten monteras och används.

### Öppna sittvagnen

se bilder ① - ③

Ta bort förvaringsspärren från förvaringsfästet ① och lyft sedan handtaget uppåt ②. Ett klickljud betyder att sittvagnen har öppnats fullständigt.

! Kontrollera att sittvagnen är helt spärrad innan du fortsätter att använda den.

! Tryck inte på benstöden när du öppnar ryggstödet. ③ - 1  
Om du gör det så använd fixpunkten ④ för att fälla ihop ryggstödet och öppna det igen.

### Montera och ta bort framhjul

se bilder ④ - ⑤

### Montera och ta bort bakhjul

se bilder ⑥ - ⑦

### Montera sufflett

se bilder ⑧ - ⑩

### Montera och ta bort mugghållare

se bilder ⑪ - ⑫

Den färdigmonterade sittvagnen visas i ⑬



## Använda sittvagnen

### Justera ryggstödet

se bilder 14 - 15

Det finns 4 lutningsvinklar för ryggstödet.

Höj upp ryggstödet

Ryggstödet höjer du upp genom att rotera lutningshandtaget på baksidan av sätet och dra upp ryggstödet. 14

Luta ryggstödet

För att luta ryggstödet så rotera lutningshandtaget på sätets baksida och dra nedåt på ryggstödet. 15

! Tryck inte på frikopplingsknappen 14 - 3 & 15 - 3 på lutningshandtagets mitten när vinkeln för lutningen justeras.

! Kontrollera att lutningen är ordentligt inställd för användningen.

### Använda spännet

se bilder 16 - 17

Öppna spännet

Tryck på mittenknappen för att öppna spännet. 16

Lås spännet

Matcha midjeremmens spänne med axelspännet 17 - 1 och klicka in det i mittenspännet. 17 - 2 Ett "klick"-ljud betyder att spännet är helt låst. 17 - 3

! För att undvika allvarliga skador, från att barnet faller eller glider ur, ska barnet sättas fast med selen.

! Kontrollera den är snävt åtdragen runt ditt barn. Utrymmet mellan barnet och axelselen ska vara ungefär en hand tjock.

! Kors inte axelremmarna. Det orsakar ett tryck på barnets hals.

## Använd axel- och midjeselarna

se bilder 18 - 23

! För att kunna skydda ditt barn från att falla ut efter att ditt barn är placerat i sätet så kontrollera att axel- och midjeremmen är på rätt höjd och har rätt längd.

18 - 1 Axelseleförankring A

18 - 2 Axelseleförankring B

18 - 3 Glidreglage

För större barn så används axelseleförankring A och högsta öppningarna vid axeln. För mindre barn ska axelseleförankring B och de lägsta öppningarna vid axeln användas.

För att justera positionen för axelseleförankringen så vrid förankringen så att den är i nivå med den sida som är riktad framåt. Trä igenom öppningen för axelremmen från baksida till framsida. 21 Trä igenom igen genom öppningen som är närmast barnets axelhöjd. 22

Använd glidreglaget för att ändra selens längd. 23 - 1

Tryck på knappen 23 - 2 under tiden som du drar midjeselen till lämplig längd. 23 - 3

### Använda armstödet

se bilder 24 - 26

### Justering av benstöd

se bilder 27 - 28

Benstödet har 2 lägen.

För att sänka benstöden så tryck på justeringsknapparna på båda sidor om benstöden 27 - 1 och rotera benstödet nedåt. 27 - 2

För att höja benstödet så tryck det uppåt. Ett "klick"-ljud betyder att benstödet har låsts.

## Använda främre riktningsslåset

se bilder 29

Tryck upp det främre riktningsslåset för att behålla förflyttningsriktning. 29

**Tips** Det är att rekommendera att använda riktningsslås på ojämna ytor.

## Använda bromsen

se bilder 30 - 31

Du låser hjulen genom att trampa ned bromsspaken. 30

För att frigöra hjulen så lyft bara bromsspaken uppåt. 31

**Tips** Använd alltid parkeringsbromsen när sittvagnen inte rör sig.

## Använd sufflett

se bilder 32 - 34

Suffletten kan öppnas helt och hållet för att på bästa sätt skydda ditt barn från solen, öppna bara blixtlåset 33 och dra sedan suffletten mot framsidan.

## Justera handtaget

se bilder 35

## Byta riktning på sittdel

se bilder 36 - 39

## Använda förvaringsväskan

se bilder 40

Den maximala belastningen för förvaringsväska A och B är 0,45 kg.

## Fälla ihop sittvagnen

se bilder 41 - 49

! Knappen på mitten av lutningshandtaget används för att fälla ihop sätet. 42 - 1

! Sittvagnen kan stå när handtaget är i den högsta positionen. 46

! Förvaringsspärren hakar automatiskt i förvaringsfästet och sedan är sittvagnen fullständigt hopvikt och låst. 46 49

## Använda tillbehör

Tillbehör kan säljas separat eller så kan de vara tillgängliga beroende på region.

## Använda med fasthållningsanordning för spädbarn

se bilder 50 - 55

När en Joie fasthållningsanordning i-Snug 2 & i-Gemm 3 & i-Level Recline & i-Jemini & Gemm används så vänligen se följande instruktioner.

! Ett "klick"-ljud betyder att adaptern har låsts.

! Om du har några problem med att använda fasthållningsanordningen för barn så se deras egna bruksanvisningar.

! Vik inte ihop sittvagnen när fasthållningsanordningen för spädbarn fortfarande sitter fast.

## Använda babyliften Ramble, Ramble XL

se bilder 56 - 59

När Joie ramble, ramble xl babylift används så vänligen se följande instruktioner.

! Ett "klick"-ljud betyder att adaptern har låsts.

- ! Använd alltid madrassen när du använder babyliften.
- ! Om du har några problem med att använda babyliften så vänligen se deras egna bruksanvisningar.
- ! Vik inte ihop sittvagnen när babyliften fortfarande sitter fast.

## Använda babyliften

se billede 60 - 63

När den används med Joie calmi barnsäng ber vi dig se följande instruktioner.

- ! Ett "klick"-ljud betyder att adaptern har låsts.
- ! Använd alltid madrassen när du använder bilsängen.
- ! Kontrollera att nätet i bilsängens botten sitter fast ordentligt innan bilsängen monteras.
- ! Om du har problem med att använda bilsängen ber vi dig se deras egna bruksanvisningar.
- ! Vik inte ihop sittvagnen med bilsängen fortfarande på.

## Använda regnskydd

se bilder 64

För att montera regnskyddet ska det placeras över sätet.

- ! När regnskyddet används så kontrollera alltid dess ventilation.
- ! När det inte används så kontrollera att regnskyddet har rengjorts och torkats innan det viks ihop.
- ! Fäll inte ihop sittvagnen efter att regnskyddet monterats.
- ! Placera inte ditt barn i sittvagnen med regnskyddet monterat när det är varmt väder.

## Borttagning och montering av mjuka delar

se bilder 65 - 79

Ta bort armstödet som visas i 26

För att återmontera sätets mjuka delar så följ ovan steg i motsatt ordning 79 - 65

## Rengöring och underhåll

se bilder 80

- ! För att rengöra sittvagnens ram ska bara vanlig tvål och varmt vatten användas. Använd inte blekning eller rengöringsmedel. Se tvättrådsetiketten för instruktioner om rengöring av sittvagnens tygdelar.
- ! Mjuka delar som är avtagbara kan tvättas i maskin. Blek inte. Använd inte mycket kraft för att vrida ur sätesmaterialet och kuddarna när de ska torkas. Det kan göra att sätesmaterialet och inre kuddarna veckas.
- ! Kontrollera din sittvagn då och då för att se om skruvar sitter löst, delar är slitna, material sönderrivet eller sprucket i sömmarna. Byt eller reparera delarna efter behov. Torka regelbundet av plastdelar med en mjuk fuktig trasa. Torka alltid av metalldelar för att förhindra att det bildas rost om sittvagnen har kommit i kontakt med vatten.
- ! Överdriven exponering för sol eller värme kan göra så att delarna bleknar eller missformas.
- ! Om sittvagnen blir blöt så öppna suffletten och låt den torka ordentligt innan den lagras.
- ! Om hjulen gnisslar så använd en lätt olja (t.ex. silikonsprej, antirostolja eller symaskinsolja). Det är viktigt att oljan tränger in i axeln och hjulmontaget. 80
- ! När du använder din sittvagn på stranden eller andra sandiga/dammiga miljöer så rengör din sittvagn efter användningen för att ta bort sand och salt från mekanismer och hjulmontaget.

## CZ Vítá vás značka Joie™

Blahopřejeme vám - stali jste se členy rodiny Joie! Jsme nadšeni, že můžeme doprovázet vaše dítě na cestě. Při cestování s kočárkem Joie Versatrax™ používáte kvalitní, plně certifikovaný kočárek schválený evropskými bezpečnostními normami EN 1888-2:2018+A1:2022. Tento produkt je vhodný pro děti do 22 kg nebo do 4 let (podle toho, co nastane dříve). Pozorně si přečtěte tento návod. Jeho dodržováním zajistíte pohodlnou jízdu a maximální ochranu svého dítěte.

**Důležité -** Uchovejte tento návod pro pozdější nahlédnutí.

Pro stažení návodů a více podrobností o vzrušujících výrobcích Joie nás navštivte na [joiebaby.com](http://joiebaby.com)!

Informace o záruce najdete na našem webu [joiebaby.com](http://joiebaby.com)

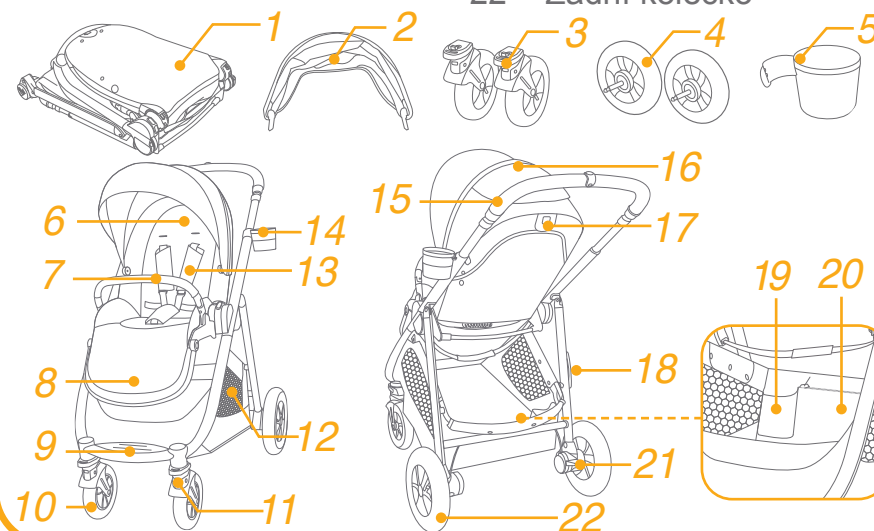
## Stav nouze

V případě ohrožení nebo úrazu je nejdůležitější poskytnout vašemu dítěti okamžité ošetření a následnou lékařskou pomoc.

## Seznam dílů

Před instalací se prosím ujistěte, že žádná část sestavy nechybí. V případě, že některá část chybí, kontaktujte prodejce. K sestavení nejsou zapotřebí žádné nástroje.

- |    |                        |    |                                     |
|----|------------------------|----|-------------------------------------|
| 1  | Rám kočárku            | 12 | Úložný košík                        |
| 2  | Stříška                | 13 | Ramenní postroj                     |
| 3  | Přední kolečko         | 14 | Držák na nápoje                     |
| 4  | Zadní kolečko          | 15 | Rukojeť                             |
| 5  | Držák na nápoje        | 16 | Okénko ve stříšce                   |
| 6  | Vložka sedačky         | 17 | Pojistka nastavení<br>zadové opěrky |
| 7  | Madlo                  | 18 | Úložná západka                      |
| 8  | Opěrka nohou           | 19 | Úložná taška A                      |
| 9  | Opěrka chodidel        | 20 | Úložná taška B                      |
| 10 | Přední kolečko         | 21 | Pedál brzdy                         |
| 11 | Zámek natáčení koleček | 22 | Zadní kolečko                       |

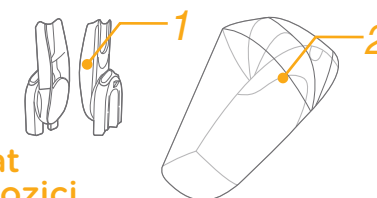


## Příslušenství

(Nemusí být součástí)

- 1 Adaptér
- 2 Pláštěnka

Příslušenství se může prodávat zvlášť nebo nemusí být k dispozici v závislosti na regionu.



# VAROVÁNÍ

- ! VAROVÁNÍ Nikdy nenechávejte dítě bez dozoru.
- ! VAROVÁNÍ Před použitím si ověřte, zda jsou všechny zajišťovací prvky zaklesnuty.
- ! Při skládání a rozkládání tohoto výrobku zajistěte, aby vaše dítě nebylo poblíž a nemohlo dojít k jeho poranění.
- ! VAROVÁNÍ Nedovolte, aby si vaše dítě s tímto výrobkem hrálo.
- ! VAROVÁNÍ Vhodné pro děti o hmotnosti do 22 kg nebo do 48 měsíců věku.
- ! VAROVÁNÍ Vždy používejte zádržný systém.
- ! VAROVÁNÍ Před použitím zkontrolujte, zda jsou připevňovací zařízení lůžka nebo sedačky nebo autosedačky správně zaklesnuta.
- ! Tento výrobek není vhodný pro běhání nebo jízdu na bruslích.
- ! Tento kočárek používejte pouze s dítětem o hmotnosti 0-22kg. Při převážení nepřipoutaného dítěte dojde k poškození kočárku.
- ! Tento kočárek je určen pro používání od narození. Pro novorozence doporučujeme používat největší sklon.
- ! Při vkládání nebo vyjímání dětí musí být aktivováno parkovací zařízení.
- ! Aby se zabránilo nebezpečné a nestabilní situaci, neumísťujte do úložného košíku více než 4,5 kg.
- ! Maximální doporučená nosnost v držáku na nápoje je 1 lb (0,5 kg).
- ! Na tomto kočárku převázejte pouze jedno dítě najednou.
- ! Nepřipevňujte žádné předměty k držadlu, sedátku ani boční strany kočárku. Jakákoli další zátěž ovlivní stabilitu kočárku a mohlo by dojít k naklonění kočárku.
- ! Jakákoli zátěž připevněná na držadlo a/nebo na zadní stranu opěraku a/nebo na boční strany vozidla sníží jeho stabilitu.

- ! Je zakázáno používat příslušenství, které nebylo schváleno výrobcem. Je dovoleno používat pouze náhradní díly, které byly dodány nebo doporučeny výrobcem.
- ! Používáte-li zádržný systém pro novorozence v kombinaci s podvozkem, toto vozidlo nenahrazuje postýlku ani lůžko. Když vaše dítě potřebuje spát, uložte jej do vhodné hluboké korby, postýlky nebo na vhodné lůžko.
- ! Před používáním tohoto výrobku odstraňte igelitový sáček a obalové materiály, aby se zabránilo udušení. Igelitový sáček a obalové materiály je třeba uchovávat mimo dosah novorozenců a dětí.
- ! Toto hluboké lůžko je vhodné pouze pro dítě, které nedokáže sedět bez pomoci, nedokáže se přetočit a nedokáže se samo zvednout na ruku a kolenu. Maximální hmotnost dítěte: 9 kg.
- ! NEPOUŽÍVEJTE ani nepřidávejte jinou matraci, než byla dodána s tímto hlubokým lůžkem.
- ! Sestavení smí provést pouze dospělá osoba.
- ! Před použitím tohoto výrobku si přečtěte všechny pokyny v tomto návodu. Uchovejte si tento návod pro budoucí použití. Nedodržení těchto výstrah a pokynů může vést k vážnému poranění nebo smrti.
- ! Aby se zabránilo pádu nebo vyklouznutí a vážnému zranění, vždy používejte bezpečnostní pás.
- ! Při nastavování kočárku zajistěte, aby se vaše dítě nacházelo mimo dosah pohyblivých částí.
- ! V žádném případě nepoužívejte tento kočárek na schodech nebo eskalátorech.
- ! Uchovávejte mimo dosah předmětů o vysoké teplotě, kapalin a elektroniky.
- ! V žádném případě neumísťujte kočárek na silnice, svahy nebo nebezpečná místa.
- ! Aby se zabránilo uškrcení, NEUMÍSŤUJTE předměty s provázky okolo krku dítěte.
- ! NEVOZTE dítě v úložném košíku.

- ! Aby se zabránilo skřípnutí prstů, postupujte při rozkládání a skládání kočárku opatrně.
- ! Aby byla zajištěna bezpečnost vašeho dítěte, před použitím kočárku zkontrolujte, zda jsou všechny díly řádně sestaveny a zajištěny.
- ! Aby se zabránilo uškrcení, zajistěte, aby vaše dítě bylo mimo dosah stříšky.
- ! Při parkování kočárku vždy použijte brzdy.
- ! Pokud je kočárek poškozený nebo rozbitý, přestaňte jej používat.
- ! Abyste zabránili popáleninám, nikdy neumísťujte do držáku na nápoje horké tekutiny.
- ! Tento produkt je vhodný pro děti do 22 kg nebo do 4 let (podle toho, co nastane dříve).

## Montáž kočárku

(Řiďte se prosím obrázky na straně 1-15)

Před montáží a použitím tohoto výrobku si přečtete všechny pokyny v tomto návodu.

### Rozložený kočárek

viz obrázky ① - ③

Oddělte úložnou západku od úložného úchytu ① a potom zvedněte rukojeť nahoru ② . Jakmile se ozve cvaknutí, kočárek je zcela složený. Chcete-li otočit opěrák do svislé polohy

! Než budete pokračovat, zkontrolujte, zda je kočárek zcela rozložen a zajištěn.

! Netlačte na opěrku nohou během otvírání opěráku. ③ - 1 V takovém případě prosím srovnejte ④2, abyste složili opěrák a znovu ho otevřete.

### Montáž a sejmutí předního kolečka

viz obrázky ④ - ⑤

### Montáž a sejmutí zadního kolečka

viz obrázky ⑥ - ⑦

### Montáž stříšky

viz obrázky ⑧ - ⑩

### Montáž a sejmutí držáku na nápoje

viz obrázky ⑪ - ⑫

Zcela sestavený kočárek je zobrazen jako ⑬

## Používání kočárku

### Nastavení zádové opěrky

viz obrázky 14 - 15

K dispozici jsou 4 polohy sklonu opěrky.

Zvednutí opěrky

Pro zvednutí opěrky otočte pojistku nastavení na zadní straně sedačky a vytáhněte opěrku nahoru. 14

Náklon opěrky

Pro náklon opěrky otočte pojistku nastavení na zadní straně sedačky a zatlačte na opěrku směrem dolů. 15

! Prosím nestiskněte uvolňovací tlačítko 14 - 3 & 15 - 3 uprostřed pojistky nastavení během úpravy úhlu náklonu.

! Ujistěte se, že náklon je řádně nastaven pro použití.

### Použití spony

viz obrázky 16 - 17

Uvolnění spony

Stiskněte prostřední tlačítko pro odepnutí spony. 16

Zámek spony

Srovnejte sponu bederního pásu se sponou ramenního pásu 17 - 1 a zacvakněte do středové spony. 17 - 2 Jakmile se ozve „cvaknutí“, znamená to, že spona je zcela zajištěná. 17 - 3

! Aby se zabránilo pádu nebo vyklouznutí a vážnému zranění, vždy zajištěte své dítě postrojem.

! Ujistěte se, že dítě je pohodlně zajištěno. Mezi dítětem a ramenním postrojem musí být prostor přibližně na tloušťku jedné ruky.

! Nekřížte ramenní pásy. Tím se vytváří tlak na krk dítěte.

## Použití ramenního postroje a postroje do pasu

viz obrázky 18 - 23

! Abyste vaše dítě ochránili před vypadnutím, po usazení dítěte do sedačky zkontrolujte, zda jsou ramenní a bederní postroj ve správné výšce a délce.

18 - 1 Kotva ramenního postroje A

18 - 2 Kotva ramenního postroje A

18 - 3 Posuvný regulátor

Pro větší dítě použijte kotvu ramenního postroje A a nejvyšší ramenní sloty. Pro menší dítě použijte kotvu ramenního postroje B a nejnižší ramenní sloty.

Pro úpravu pozice kotvy ramenního postroje otočte kotvu tak, aby byla v rovině s boční stranou směřující dopředu.

Protáhněte ji slotem ramenního postroje zezadu dopředu. 21  
Znovu ji protáhněte slotem, který je nejbližší výšce ramene dítěte. 22

Pro změnu délky postroje použijte posuvný regulátor. 23 - 1

Stiskněte tlačítko 23 - 2, zatímco taháte za bederní postroj pro úpravu jeho délky. 23 - 3

## Použití madla

viz obrázky 24 - 26

## Nastavení opěrky nohou

viz obrázky 27 - 28

Opěrka nohou má 2 polohy.

Pro snížení opěrky nohou stiskněte nastavovací tlačítka na obou stranách opěrky nohou 27 - 1 a otočte opěrku nohou směrem dolů. 27 - 2

Pro zvednutí opěrky nohou ji zatlačte směrem nahoru. Jakmile se ozve „cvaknutí“, znamená to, že opěrka je zcela zajištěná.

## Použití aretace předních koleček

viz obrázky 29

Zatlačte aretaci předních koleček směrem nahoru pro udržení směru jízdy. 29

**Tip** Na nerovném povrchu doporučujeme zablokovat natáčení koleček.

## Použití brzdy

viz obrázky 30 - 31

Pro zajištění koleček stlačte pedál brzdy směrem dolů. 30

Pro uvolnění koleček stačí zvednout pedál brzdy směrem nahoru. 31

**Tip** Když zastavíte, vždy použijte parkovací brzdou.

## Použití stříšky

viz obrázky 32 - 34

Stříšku lze zcela otevřít pro extrémní ochranu vašeho dítěte před sluncem, stačí rozepnout zip 33 a stáhnout stříšku dopředu.

## Nastavení rukojeti

viz obrázky 35

## Otočení sedačky

viz obrázky 36 - 39

## Použití úložné tašky

viz obrázky 40

Maximální zatížení úložné tašky A a B je 0,45 kg.

## Rozložení kočárku

viz obrázky 41 - 49

! Tlačítko uprostřed pojistky nastavení se používá k rozložení sedačky. 42 - 1

! Kočárek lze postavit, když je držadlo v nejvyšší poloze. 46

! Když je kočárek zcela rozložen a zajištěn, úložná západka se automaticky zahákne do úložného úchyty. 46 49

## Použití příslušenství

Příslušenství se může prodávat zvlášť nebo nemusí být k dispozici v závislosti na regionu.

## Použití zádržného systému pro novorozence

viz obrázky 50 - 55

Při použití se zádržným systémem Joie i-Snug 2 & i-Gemm 3 & i-Level Recline & i-Jemini & Gemm pro novorozence si prosím přečtěte následující pokyny.

! Jakmile se ozve „cvaknutí“, znamená to, že adaptér je zcela zajištěný.

! Máte-li problémy s použitím zádržného systému pro novorozence, přečtěte si prosím jeho vlastní pokyny k použití.

! Nerozkládejte kočárek s nasazeným zádržným systémem pro novorozence.

## Použití hlubokého lůžka Ramble, Ramble XL

viz obrázky 56 - 59

Při použití hlubokého lůžka Joie ramble, ramble xl si prosím přečtěte následující pokyny.



! Jakmile se ozve „cvaknutí“, znamená to, že adaptér je zcela zajištěný.

! S hlubokým lůžkem vždy používejte matraci.

! Máte-li problémy s použitím hlubokého lůžka, přečtěte si prosím jeho vlastní pokyny k použití.

! Nerozkládejte kočárek s nasazeným hlubokým lůžkem.

## Použití hlubokého lůžka

viz obrázek 60 - 63

Při použití s cestovní postýlkou do auta Joie calmi postupujte podle následujících pokynů.

! Jakmile se ozve „cvaknutí“, znamená to, že adaptér je zcela zajištěný.

! S cestovní postýlkou do auta vždy používejte matraci.

! Před instalací cestovní postýlky do auta zkontrolujte, zda je mřížka v dolní části cestovní postýlky řádně upevněna.

! Máte-li problémy s použitím cestovní postýlky do auta, přečtěte si prosím jeho vlastní pokyny k použití.

! Nerozkládejte kočárek s nasazenou cestovní postýlkou do auta.

## Použití pláštěnky

viz obrázky 64

Pláštěnku nasadte přes sedačku.

! Při použití pláštěnky prosím vždy zkontrolujte její ventilaci.

! Před rozložením vždy zkontrolujte, zda byla pláštěnka očištěna a je suchá.

! Nerozkládejte kočárek s nasazenou pláštěnkou.

! V horkém počasí neumísťujte dítě do kočárku s nasazenou pláštěnkou.

## Sejmutí a montáž látkových částí

viz obrázky 65 - 79

Odstraňte madlo, jak je znázorněno na 26

Pro opětovnou montáž látkových částí postupujte v opačném pořadí podle kroků výše 79 - 65

## Čištění a údržba

viz obrázky 80

! K čištění rámu kočárku použijte pouze běžné mýdlo a teplou vodu. Nepoužívejte bělidlo ani detergent. Pokyny pro čištění textilních částí kočárku najdete na štítku s pokyny pro péči a údržbu.

! Snímatelné látkové části lze prát v pračce. Nebělit. Potah sedačky ani vnitřní polstrování neždímejte pro rychlejší schnutí. Mohlo by to na potahu sedačky nebo na vnitřním polstrování zanechat záhyby.

! Pravidelně kontrolujte stav opotřebení součástí a případné uvolněné šrouby, potrhání materiálu nebo švů výrobku. Poškozené součásti podle potřeby vyměňte nebo opravte. Pravidelně čistěte plastové části měkkým vlhkým hadříkem. Kovové části vždy osušte, abyste zabránili tvorbě rzi, pokud kočárek přišel do kontaktu s vodou.

! Nadměrné vystavení slunci nebo teple může způsobit blednutí nebo deformování dílů.

! Pokud kočárek navlhne, otevřete stříšku a před uložením ho nechte důkladně oschnout.

! Pokud kolečka skřípají, použijte lehký olej (např. silikonový sprej, antikorozní olej nebo olej na šicí stroje). Je důležité namazat olejem nápravu koleček. 80

! Při použití kočárku na pláži nebo v jiném písčitém/prášném prostředí kočárek po použití zcela vyčistěte, abyste odstranili písek a sůl z mechanismů a nápravy koleček.

## SK Vitajte v rodine Joie™

Blahoželáme k tomu, že ste sa stali súčasťou rodiny Joie! Sme nadšení, že sme súčasťou vašej cesty s vašim dieťaťom. Pri cestovaní s Joie Versatrax™ používate kvalitný, plne certifikovaný kočík, schválený podľa európskych bezpečnostných noriem EN 1888-2:2018+A1:2022. Tento výrobok je vhodný pre deti od narodenia do 22 kg alebo 4 rokov, podľa toho, čo nastane skôr. Pozorne si prečítajte túto príručku a dodržiavajte všetky kroky na zabezpečenie pohodlnej jazdy a čo najlepšej ochrany svojho dieťaťa.

Dôležité - Uschovajte tieto pokyny na neskoršie použitie.

Navštívte nás na [joiebaby.com](http://joiebaby.com), kde si môžete stiahnuť manuály a pozrieť ďalšie zaujímavé výrobky spoločnosti Joie!

Informácie o záruke nájdete na našej webovej stránke [joiebaby.com](http://joiebaby.com)

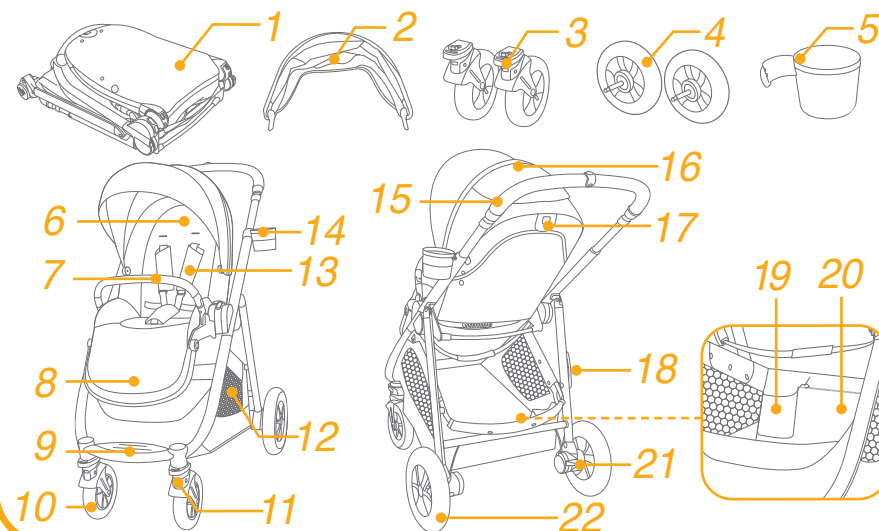
## Tiesňový stav

V prípade mimoriadnej udalosti alebo nehody je najdôležitejšie, aby bolo o vaše dieťa ihneď postarané v rámci prvej pomoci a lekárskeho ošetrovania.

## Zoznam jednotlivých častí

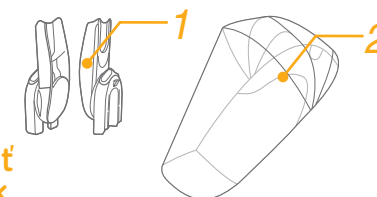
Pred zostavením skontrolujte, či máte všetky časti. Ak chýba ktorákoľvek časť, obráťte sa na miestneho predajcu. Na zostavenie nie sú potrebné žiadne nástroje.

- |    |                     |    |                            |
|----|---------------------|----|----------------------------|
| 1  | Rám kočíka          | 12 | Úložný košík               |
| 2  | Plátenná strieška   | 13 | Ramenné popruhy            |
| 3  | Predné koleso       | 14 | Držiak na pohár            |
| 4  | Zadné koleso        | 15 | Rukoväť                    |
| 5  | Držiak na pohár     | 16 | Otvor plátennej striešky   |
| 6  | Čalúnenie sedačky   | 17 | Rukoväť sklonu             |
| 7  | Držadlo             | 18 | Západka úložného priestoru |
| 8  | Opierka pre nohy    | 19 | Odkladacie vrečko A        |
| 9  | Opierka pre chodilá | 20 | Odkladacie vrečko B        |
| 10 | Predné koleso       | 21 | Brzdový pedál              |
| 11 | Aretácia otáčania   | 22 | Zadné koleso               |



## Príslušenstvo (nemusí byť zahrnuté)

- 1 Adaptér
- 2 Kryt proti dažďu



Príslušenstvo sa môže predávať samostatne alebo nemusí byť k dispozícii v závislosti od oblasti.

## UPOZORNENIE

- ! UPOZORNENIE Nikdy nenechajte svoje dieťa bez dozoru.
- ! UPOZORNENIE Pred používaním sa presvedčte, či sú všetky blokovacie zariadenia zapnuté.
- ! UPOZORNENIE: Aby sa zabránilo zraneniu, zabezpečte, aby sa dieťa zdržiavalo mimo, keď sa tento výrobok skládá a rozkládá.
- ! UPOZORNENIE Nenechávajte svoje dieťa hrať sa s týmto výrobkom.
- ! UPOZORNENIE Vhodný pre deti do 22 kg alebo do 48 mesiacov.
- ! UPOZORNENIE Vždy používajte zadržiavací systém.
- ! UPOZORNENIE Pred používaním skontrolujte, či sú pripevňovacie zariadenia lôžka, sedačky alebo autosedačky správne zapnuté.
- ! Tento výrobok nie je vhodný pri behaní alebo korčuľovaní.
- ! Kočík používajte s dieťaťom, ktoré váži 0 - 22 kg. S nevhodným dieťaťom dôjde k poškodeniu kočíka.
- ! Kočík je navrhnutý na používanie od narodenia a pre novo narodené deti sa odporúča používanie úplne sklopenej polohy.
- ! Pri vkladaní a vyberaní detí sa musí aktivovať parkovacie zariadenie.
- ! Aby ste predišli nebezpečným a nestabilným podmienkam, do úložného košíka neumiestňujte veci s hmotnosťou viac ako 4,5kg.
- ! Maximálna odporúčaná hmotnosť v držiaku na pohár je 0,5kg (1 libra).
- ! Kočík používajte naraz len pre jedno dieťa.
- ! Na rukoväť, operadlo sedadla ani boky kočíka nepripevňujte žiadne predmety. Akékoľvek dodatočné zaťaženie ovplyvní stabilitu kočíka a môže spôsobiť prevrátenie kočíka.

- ! Akékoľvek zaťaženie pôsobiace na rukoväť a/alebo zadnú stranu operadla a/alebo na boky kočíka ovplyvní stabilitu kočíka.
- ! Príslušenstvo, ktoré nie je schválené výrobcom, sa nesmie používať. Musia sa používať len náhradné diely dodávané alebo odporúčané výrobcom.
- ! Pre dojčenské detské autosedačky používané v spojení s rámom platí, že toto vozidlo nenahrádza postieľku ani posteľ. Ak vaše dieťa potrebuje spať, malo by sa umiestniť do hlbkej korby, postieľky alebo posteľe.
- ! Aby ste predišli uduseniu, pred použitím tohto výrobku odstráňte plastové vrečko a obalové materiály. Plastové vrečko a obalové materiály sa potom musia uchovávať mimo dosahu detí.
- ! Hlboká korba je vhodná len pre dieťa, ktoré nemôže sedieť bez pomoci, prevrátiť sa a nemôže sa vytlačiť na ruky a kolená. Maximálna hmotnosť dieťaťa: 9kg.
- ! NEPOUŽÍVAJTE ani nepridávajte žiadny iný matrac ako ten, ktorý sa dodáva s hlbokou korbou.
- ! Montáž musia vykonať dospelé osoby.
- ! Pred používaním tohto výrobku si prečítajte všetky pokyny, ktoré sú v príručke uvedené. Tento návod na použitie uložte pre budúce použitie. Nedodržanie týchto výstrah a pokynov môže viesť k vážnemu poraneniu alebo smrti.
- ! Aby nedošlo k vážnemu zraneniu v dôsledku vypadnutia či vyklíznutia, vždy používajte bezpečnostný pás.
- ! Pri nastavovaní kočíka sa uistite, že je dieťa mimo pohyblivých častí.
- ! Nikdy nepoužívajte kočík na schodoch ani eskalátoroch.
- ! Udržiavajte mimo objektov s vysokou teplotou, tekutín a elektroniky.
- ! Nikdy nenechávajte kočík na cestách, svahoch alebo v nebezpečných oblastiach.
- ! Aby sa zabránilo uškrteniu, okolo krku dieťaťa NEUMIESTŇUJTE predmety so šnúrkami, šnúrky nenechajte visieť z kočíka ani ich neuväzujte k hračkám.

- ! NEPOUŽÍVAJTE úložný košík ako nosič na dieťa.
- ! Aby nedošlo k zachyteniu prstov, pri skladaní a rozkladaní kočíka buďte opatrní.
- ! Aby ste zaistili bezpečnosť dieťaťa, pred používaním kočíka skontrolujte, či sú všetky diely riadne zostavené a dotiahnuté.
- ! Aby sa zabránilo uškrteniu, uistite sa, že je dieťa mimo textilnej striešky.
- ! Pri parkovaní kočíka vždy aktivujte parkovaciu brzdu.
- ! Prestaňte používať kočík, ak je poškodený alebo porušený.
- ! Aby ste predišli popáleninám, nikdy nekladajte do držiaka na poháre horúce tekutiny.
- ! Tento výrobok je vhodný pre deti od narodenia do 22 kg alebo 4 rokov, podľa toho, čo nastane skôr.

## Zostavenie kočíka

(Pozrite si obrázky na strane 1 - 15)

Pred zostavením a používaním tohto výrobku si prečítajte všetky pokyny, ktoré sú v tejto príručke uvedené.

### Rozloženie kočíka

pozrite si obrázky ① - ③

Oddel'te západku úložného priestoru od západkového držiaka úložného priestoru ① a potom zdvihnite rukoväť ②, zvuk „cvaknutia“ znamená, že je kočík úplne rozložený.

! Pred pokračovaním v používaní skontrolujte, či sú západky na kočíku úplne zaistené.

! Pri rozkladaní operadla netlačte na opierku pre nohy. ③ - 1  
Ak to urobíte, vyskúšajte ④2 zložiť operadlo a znova ho rozložiť.

### Zostavenie a odpojenie predného kolesa

pozrite si obrázky ④ - ⑤

### Zostavenie a odpojenie zadného kolesa

pozrite si obrázky ⑥ - ⑦

### Zostavenie plátennej striešky

pozrite si obrázky ⑧ - ⑩

### Zostavenie a odpojenie držiaka na pohár

pozrite si obrázky ⑪ - ⑫

Úplne zostavený kočík je zobrazený na obrázku ako ⑬

## Používanie kočíka

### Nastavenie operadla

pozrite si obrázky 14 - 15

Operadlo má 4 uhly sklonu.

Zvýšenie operadla

Ak chcete zvýšiť operadlo, otočte rukoväť sklonu na zadnej časti sedačky a potiahnite operadlo nahor. 14

Sklonenie operadla

Ak chcete skloniť operadlo, otočte rukoväť sklonu na zadnej časti sedačky a potiahnite operadlo nadol. 15

! Pri nastavovaní uhlu sklonu nestlačte uvoľňovacie tlačidlo 14 - 3 & 15 - 3 v strede rukoväte sklonu.

! Skontrolujte, či je sklon nastavený správne pre používanie.

### Použitie spony

pozrite si obrázky 16 - 17

Rozopnutie spony

Stlačením stredného tlačidla rozopnete sponu. 16

Zaistenie spony

Zrovnajte sponu bedrového pásu s ramennou sponou 17 - 1 a zacvaknite do strednej spony. 17 - 2 Zvuk „cvaknutia“ znamená, že je spona úplne zaistená. 17 - 3

! Aby ste predišli vážnemu poraneniu v dôsledku pádu alebo vyklúznutia, vždy zaistite dieťa pomocou popruhov.

! Skontrolujte, či je dieťa pohodlne zaistené. Medzera medzi dieťaťom a ramennými popruhmi je široká asi na hrúbku jednej ruky.

! Neprekrížte ramenné pásy. Spôsobí to tlak na krk dieťaťa.

## Použitie ramenných a bedrových popruhov

pozrite si obrázky 18 - 23

! Aby bolo vaše dieťa chránené pred vypadnutím, po umiestnení dieťaťa do sedadla skontrolujte, či sú ramenné a bedrové popruhy v správnej výške a či majú správnu dĺžku.

18 - 1 Kotva ramenného popruhu A

18 - 2 Kotva ramenného popruhu B

18 - 3 Posuvný nastavovací prvok

Pri väčšom dieťati použite kotvu ramenného popruhu A a najvyššie ramenné otvory. Pri menšom dieťati použite kotvu ramenného popruhu B a najnižšie ramenné otvory.

Ak chcete upraviť polohu kotvy ramenného popruhu, otočte kotvu tak, aby bola v rovine so stranou smerujúcou dopredu. Prevlečte ju cez otvor ramenného popruhu zozadu dopredu. 21 Znova ju prevlečte cez otvor, ktorý je najbližšie k výške ramena dieťaťa. 22

Na zmenu dĺžky popruhov použite posuvný nastavovací prvok. 23 - 1

Stlačte tlačidlo 23 - 2 a zároveň potiahnite bedrové popruhy na správnu dĺžku. 23 - 3

## Použitie držadla

pozrite si obrázky 24 - 26

## Nastavenie nožnej opierky

pozrite si obrázky 27 - 28

Opierka pre nohy má 2 polohy.

Ak chcete opierku znížiť, stlačte nastavovacie tlačidlá na oboch stranách opierky 27 - 1, a otočte opierku smerom nadol. 27 - 2

Ak chcete opierku zvýšiť, zatlačte ju dohora. Zvuk „cvaknutia“ znamená, že je opierka úplne zaistená.

## Použitie aretácie

pozrite si obrázky 29

Zatlačte poistky aretácie smerom na hor, ak chcete udržiavať smer pohybu. 29

**Tip** Na nerovných povrchoch sa odporúča použitie aretácie otáčenia.

## Použitie brzdy

pozrite si obrázky 30 - 31

Stúpením na brzdový pedál v smere nadol zablokujete kolesá.

30

Ak chcete kolesá uvoľniť, zdvihnite brzdový pedál dohora. 31

**Tip** Vždy, keď sa kočík nepohybuje, zatiahnite brzdovú páčku.

## Použitie plátennej striešky

pozrite si obrázky 32 - 34

Plátennú striešku možno úplne rozložiť, aby čo najviac chránila dieťa pred slnkom, stačí rozopnúť zips 33 a potom vytiahnuť plátennú striešku smerom dopredu.

## Nastavenie rukoväte

pozrite si obrázky 35

## Zmena orientácie sedačky

pozrite si obrázky 36 - 39

## Použitie odkladacieho vrečka

pozrite si obrázky 40

Maximálne zaťaženie odkladacieho vrečka A a B je 0,45 kg.

## Zloženie kočíka

pozrite si obrázky 41 - 49

! Tlačidlo v strede rukoväte sklonu sa používa na zloženie sedačky. 42 - 1

! Kočík môže stáť, keď je rukoväť v najvyššej polohe. 46

! Západka úložného priestoru sa automaticky zachytí o držiak úložného priestoru a potom bude kočík zložený a úplne zaistený 46 49

## Použitie príslušenstva

Príslušenstvo sa môže predávať samostatne alebo nemusí byť k dispozícii v závislosti od oblasti.

## Použitie s dojčenskou detskou autosedačkou

pozrite si obrázky 50 - 55

Pri použití s dojčenskou detskou autosedačkou Joie i-Snug 2 & i-Gemm 3 & i-Level Recline & i-Jemini & Gemm si pozrite nasledujúce pokyny.

! Zvuk „cvaknutia“ znamená, že je adaptér úplne zaistený.

! Pri akýchkoľvek problémoch s používaním dojčenskej detskej autosedačky si pozrite jej návod na použitie.

! Neskladajte kočík so stále pripevnenou dojčenskou detskou autosedačkou.

## Použitie hlbokoj korby Ramble, Ramble XL

pozrite si obrázky 56 - 59

Pri použití s hlbokou korbou Joie ramble, ramble xl si pozrite nasledujúce pokyny.

- ! Zvuk „cvaknutia“ znamená, že je adaptér úplne zaistený.
- ! Pri používaní hlbokoj korby vždy používajte matrac.
- ! Pri akýchkoľvek problémoch s používaním hlbokoj korby si pozrite jej návod na použitie.
- ! Neskladajte kočík so stále pripevnenou hlbokou korbou.

## Použitie hlbokoj korby

pozrite si obrázky 60 - 63

Pri použití s postielkou do auta Joie calmi si pozrite nasledujúce pokyny.

- ! Zvuk „cvaknutia“ znamená, že je adaptér úplne zaistený.
- ! Pri používaní postielky do auta vždy používajte matrac.
- ! Pred inštaláciou postielky do auta skontrolujte, či je sieťka na spodnej časti postielky do auta správne pripevnená.
- ! Pri akýchkoľvek problémoch s používaním postielky do auta si pozrite jej návod na použitie.
- ! Neskladajte kočík so stále pripevnenou postielkou do auta.

## Použitie pláštenky

pozrite si obrázky 64

Ak chcete nasadiť pláštenku, umiestnite ju nad sedačku.

- ! Pri používaní pláštenky vždy skontrolujte vetranie.
- ! Keď sa nepoužíva, pred zložením skontrolujte, či je pláštenka vyčistená a vysušená.
- ! Neskladajte kočík po namontovaní pláštenky.
- ! V horúcom počasí nedávajte svoje dieťa do kočíka s nasadenou pláštenkou.

## Odpojenie a zostavenie potahu

pozrite si obrázky 65 - 79

Odmontovanie držadla je zobrazené ako 26

Ak budete chcieť znova nasadiť potah sedačky, postupujte podľa vyššie uvedených krokov v opačnom poradí 79 - 65

## Čistenie a údržba

pozrite si obrázky 80

- ! Na čistenie rámu kočíka používajte len domáce mydlo a teplú vodu. Žiadne bielidlo ani čistiaci prostriedok. Pokyny na čistenie textilných častí kočíka nájdete na štítku s návodom na ošetrovanie.
- ! Odnímateľné textílie možno prať v práčke. Nepoužívajte bielidlo. Neskrúcajte kryt sedačky ani vnútorné čalúnenie veľkou silou, aby ste ich vysušili. Mohlo by to na kryte sedačky a čalúnení zanechať zvrásnenie.
- ! Občas skontrolujte, či na kočíku nie sú povolené skrutki, opotrebované súčasti, roztrhnutý alebo rozpáraný materiál. Tieto súčasti vymeňte alebo opravte. Pravidelne utierajte plastové časti dočista mäkkou navlhčenou handričkou. Vždy osušte kovové časti, aby sa zabránilo tvorbe hrdze, ak sa kočík dostal do styku s vodou.
- ! Nadmerné vystavenie slnečnému žiareniu alebo teplu môže spôsobiť vyblednutie alebo deformáciu častí.
- ! Ak je kočík vlhký, rozťahnite plátennú striešku a nechajte ho pred uskladnením dôkladne vysušiť.
- ! Ak kolesá pískajú, použite jemný olej (napr. silikónový sprej, antikorózný olej alebo olej do šijacieho stroja). Je dôležité, aby sa olej dostal do zostavy osky a kolesa. 80
- ! Pri používaní kočíka na pláži alebo v iných piesočnatých/prašných prostrediach ho po použití úplne vyčistite, aby ste odstránili piesok a soľ z mechanizmov a zostáv kolies.

## TR Joie™'ye Hoş Geldiniz

Joie ailesine katıldığınız için tebrikler! Çocuğunuzla olan yolculuğunuzda size katılmaktan büyük bir heyecan duyuyoruz. Joie Versatrax™ ile seyahat ederken, EN 1888-2:2018+A1:2022 Avrupa güvenlik standartlarıyla onaylanmış, yüksek kaliteli, tamamen sertifikalı bir bebek arabası kullanırsınız. Bu ürün, doğumdan 22kg'a veya 4 yaşına kadar olan çocuklar için uygundur (hangisi önce gelirse). Rahat bir sürüş ve çocuğunuz için en iyi korumayı sağlamak üzere lütfen bu kılavuzu dikkatle okuyun ve her bir adımı izleyin. Kılavuzları indirmek ve daha heyecan verici Joie ürünlerine bakmak için joiebaby.com adresini ziyaret edin!

Garanti bilgileri için lütfen joiebaby.com adresindeki web sitemizi ziyaret edin.

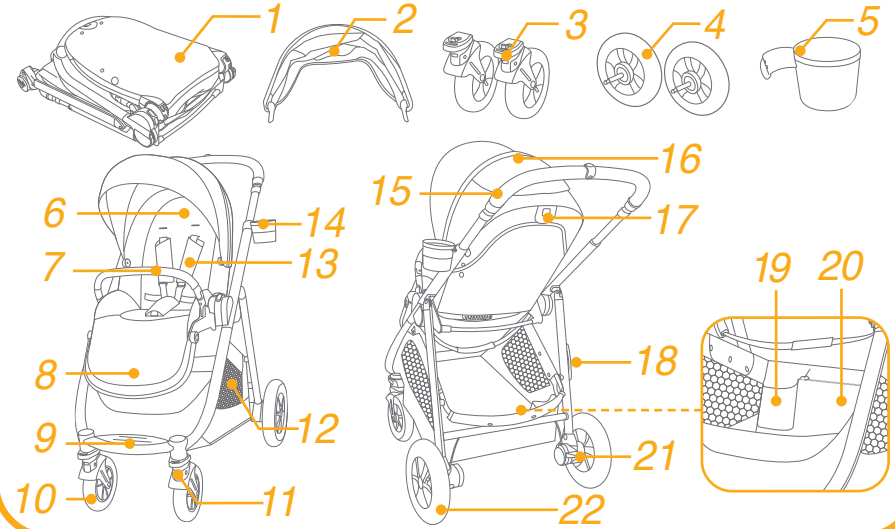
## Acil durum

Acil durum veya kaza hâlinde, ilk yardım ve tıbbi tedavi yoluyla çocuğunuzla hemen ilgilenilmesini sağlamak çok önemlidir.

## Parça Listesi

Monte etmeden önce tüm parçaların hazır bulunduğundan emin olun. Eğer herhangi bir parça eksikse, lütfen yerel tedarikçiniz ile temasa geçin. Montaj için hiçbir araç gerekli değildir.

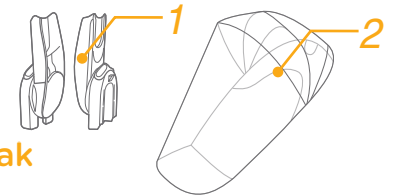
- |    |                         |    |                   |
|----|-------------------------|----|-------------------|
| 1  | Bebek Arabası Çerçevesi | 12 | Depolama Sepeti   |
| 2  | Tente                   | 13 | Omuz Kayışı       |
| 3  | Ön Teker                | 14 | Bardak tutucu     |
| 4  | Arka Teker              | 15 | Kulp              |
| 5  | Bardak tutucu           | 16 | Tente Penceresi   |
| 6  | Koltuk Minderi          | 17 | Yatırma Kolu      |
| 7  | Kolçak                  | 18 | Depolanma kiliti  |
| 8  | Baldır Desteği          | 19 | Saklama Çantası A |
| 9  | Ayaklık                 | 20 | Saklama Çantası B |
| 10 | Ön Teker                | 21 | Fren Kolu         |
| 11 | Döndürme Kilidi         | 22 | Arka Teker        |



## Aksesuarlar

(dâhil olmayabilir)

- 1 Adaptör
- 2 Yağmurluk



Aksesuarlar, bölgeye bağlı olarak ayrı satılabilir veya mevcut olmayabilir.



## UYARI

- ! UYARI Çocuğunuzu kesinlikle yalnız bırakmayın.
- ! UYARI Kullanmadan önce tüm kilitleme donanımlarının etkinleştirildiğinden emin olun.
- ! UYARI Yaralanmayı önlemek için, bu ürünü açarken ve katlarken çocuğunuzun uzakta olduğundan emin olun.
- ! UYARI Çocuğunuzun bu ürünle oynamasına izin vermeyin.
- ! UYARI 22 kg veya 48 aya kadar olan çocuklar için uygundur.
- ! UYARI Mutlaka emniyet sistemi kullanın.
- ! UYARI Kullanmadan önce çocuk arabası gövdesi veya çocuk koltuğu bağlantı mekanizmalarının doğru biçimde takıldığını kontrol edin.
- ! Bu ürün koşma veya paten yapma için uygun değildir.
- ! Bebek arabasını 0-22 kg arası kiloda çocuklar için kullanın. Sığmayan çocuk, bebek arabasında hasara neden olur.
- ! Doğumdan itibaren kullanılmak üzere tasarlanmış bebek arabasının, yeni doğan bebekler için en yatık konumda kullanılması önerilir.
- ! Çocuğunuzu yerleştirirken ve kaldırırken park etme donanımı etkinleştirilmelidir.
- ! Tehlikeli, dengesiz bir durumu önlemek için, depolama sepetine 4,5 kg ağırlıktan fazlasını koymayın.
- ! Bardak tutucuda önerilen en fazla ağırlık 0,5 kg'dır.
- ! Bebek arabasını aynı anda yalnızca bir çocukla kullanın.
- ! Kulba, oturak arkılığına veya arabanın yanlarına eşyalarınızı takmayın. Ek yükler, arabanın dengesini etkileyecek ve devrilmesine neden olabilecektir.
- ! Kulpa, arkalığın sırt kısmına ve/veya bebek arabasının yan taraflarına takılan yükler bebek arabasının dengesini etkileyecektir.
- ! Üretici tarafından onaylanmamış aksesuarlar kullanılmamalıdır. Yalnızca üretici tarafından sağlanan veya önerilen yedek parçalar kullanılmalıdır.

- ! Bu araç, bir kızak düzeneğiyle birlikte kullanılan çocuk koltukları için bir karyola veya yatak yerine geçmez. Çocuğunuzun uyuması gerektiğinde, uygun bir çocuk arabası gövdesine, karyolaya veya yatağa yerleştirilmelidir.
- ! Boğulmayı önlemek için, ürünü kullanmadan önce plastik torbayı ve ambalaj malzemelerini çıkarın. Çıkarılan plastik torba ve ambalaj malzemeleri bebeklerden ve çocuklardan uzak tutulmalıdır.
- ! Portatif karyola yalnızca yardımsız oturamayan, devrilen, elleri ve dizleri üzerinde kendini kaldıramayan çocuk için uygundur. En fazla ağırlık: 9 kg.
- ! Portatif karyolayla sağlanan dışındaki şilteleri kullanmayın veya yerleştirmeyin.
- ! Montaj işlemi yetişkin tarafından yapılmalıdır.
- ! Ürünü kullanmadan önce lütfen kılavuzdaki tüm talimatları okuyun. İleride kullanmak için lütfen talimat kılavuzunu saklayın. Bu uyarılara ve talimatlara uymamak ciddi yaralanma veya ölümle sonuçlanabilir.
- ! Düşme veya kayma nedeniyle ciddi yaralanmayı önlemek için mutlaka emniyet kemeri kullanın.
- ! Bebek arabasını ayarlarken, çocuğunuzun gövdesinin hareketli parçalardan uzak olduğundan emin olun.
- ! Bebek arabasını sabit ya da yürüyen merdivenlerde asla kullanmayın.
- ! Yüksek sıcaklıktaki nesnelere, sıvılardan ve elektronik cihazlardan uzak tutun.
- ! Bebek arabasını yollara, eğimli yerlere veya tehlikeli alanlara asla bırakmayın.
- ! Boğulmayı önlemek için, çocuğunuzun boynunun etrafında ipli nesnelere BULUNDURMAYIN.
- ! Depolama sepetini çocuk taşıma aracı olarak KULLANMAYIN.
- ! Bebek arabasını katlarken ve açarken parmağınızı sıkıştırmamaya dikkat edin.

- ! Çocuğunuzun güvenliğini sağlamak için, bebek arabasını kullanmadan önce lütfen tüm parçaların monte edildiğinden ve düzgün biçimde sabitlendiğinden emin olun.
- ! Boğulmayı önlemek için, çocuğunuzun tenteden uzak olduğundan emin olun.
- ! Bebek arabasını park ederken frenleri mutlaka etkinleştirin.
- ! Hasar görürse veya kırılırsa bebek arabasını kullanmayı bırakın.
- ! Yanıkları önlemek için, bardak tutucuya asla sıcak sıvılar koymayın.
- ! Bu ürün, doğumdan 22kg'a veya 4 yaşına kadar olan çocuklar için uygundur (hangisi önce gelirse).

## Bebek Arabası Montajı

(Lütfen 1 ilâ 15. sayfalardaki şekillere başvurun)

Lütfen bu ürünü monte etmeden ya da kullanmadan önce bu kılavuzdaki tüm talimatları okuyun.

### Bebek Arabasını Açma

bkz. görseller ① - ③

Depolama kiliti depolama destekten ayırlayın ① ve sonradan kolu yukarıya kaldırın ②, bir ses duyduğuna zaman bebek arabası tamamen açık olduğu anlamına gelir.

! Kullanmaya devam etmeden önce, bebek arabasının mandalla tamamen kilitlendiğini kontrol edin.

! Arkalığı açarken lütfen baldır desteğine bastırmayın. ③ - 1  
Bunu yaparsanız lütfen arkalığı katlamak için ④ referans alın ve tekrar açın.

### Ön Teker Monte Etme ve Çıkarma

bkz. görseller ④ - ⑤

### Arka Teker Monte Etme ve Çıkarma

bkz. görseller ⑥ - ⑦

### Tenteyi Monte Etme

bkz. görseller ⑧ - ⑩

### Bardak Tutucuyu Monte Etme ve Çıkarma

bkz. görseller ⑪ - ⑫

Tamamen monte edilen bebek arabası şu numaralı şekilde gösterilmektedir: ⑬

## Bebek Arabası Kullanımı

### Arkalığı Ayarlama

bkz. görseller 14 - 15

Arkalık için 4 tane yatırma açısı vardır.

Arkalığı Yükseltme

Arkalığı kaldırmak için, koltuğun arkasındaki yatırma kulpunu döndürerek arkalığı yukarı çekin. 14

Arkalığı Yatırma

Arkalığı yatırmak için, koltuğun arkasındaki yatırma kulpunu döndürerek arkalığı aşağı çekin. 15

! Yatırma açısını ayarlarken, lütfen yatırma kolunun ortasındaki serbest bırakma düğmesine 14 - 3 ve 15 - 3 basmayın.

! Yatırma açısının kullanıma uygun ayarlandığından emin olun.

### Toka Kullanımı

bkz. görseller 16 - 17

Tokayı Serbest Bırakın

Tokayı serbest bırakmak için ortadaki düğmeye basın. 16

Tokayı Kilitleme

Bel kemeri kopçasını omuz kopçasıyla eşleştirip 17 - 1, orta kopçaya kilitleyin. 17 - 2 "Tıklama" sesi, tokenin tamamen kilitlendiği anlamına gelir. 17 - 3

! Düşme veya kayma sonucu oluşacak ciddi yaralanmaları önlemek için, çocuğunuzu her zaman kayışla sabitleyin.

! Çocuğunuzun güvenli biçimde sabitlendiğinden emin olun. Çocuk ve omuz kayışı arasındaki mesafe yaklaşık bir el kalınlığında olmalıdır.

! Omuz kemerlerini çaprazlamayın. Bu, çocuğun boynuna basınç uygular.

## Omuz ve Bel Kayışlarının Kullanımı

bkz. görseller 18 - 23

! Çocuğunuzun düşmesini önlemek için, çocuğunuz oturağa yerleştirildikten sonra omuz ve bel kayışlarının doğru yükseklikte ve uzunlukta olup olmadığını kontrol edin.

18 - 1 Omuzların bagalanması için emniyet kemeri cihazı A

18 - 2 Omuzların bagalanması için emniyet kemeri cihazı B

18 - 3 Kayar ayarlayıcı

Buyuk cocular için kemerlerin bagalanmak cihazı omuz için A, ve yukardaki olan delikleri için kullanın. Kucuk cocuklari için kemerlerin bagalanmak cihazı omuz için ve asagidaki olan delikleri için kullanın omuz için ve asagidaki olan delikleri için kullanın.

Omuz kayışı tutturma noktasının konumunu ayarlamak için, tutturma noktasını öne bakan tarafla aynı düzeyde olacak şekilde döndürün. Omuz kayışı yuvası boyunca arkadan öne doğru geçirin. 21 Çocuğunuzun omuz yüksekliğine en yakın olan delikten tekrar geçirin. 22

Kayış uzunluğunu değiştirmek için kayar ayarlayıcıyı kullanın. 23 - 1

Düğmeye basarken 23 - 2, bel kayışını uygun uzunluğa çekin. 23 - 3

## Kol Çubuğu Kullanımı

bkz. görseller 24 - 26

## Baldır Desteğini Ayarlama

bkz. görseller 27 - 28

Baldır desteği 2 konuma sahiptir.

Baldır desteğini alçaltmak için, baldır desteğinin her iki tarafındaki ayar düğmelerine basın 27 - 1 ve baldır desteğini aşağı doğru döndürün. 27 - 2

Baldır desteğini yükseltmek için yukarı doğru itin. "Tıklama" sesi, baldır desteğinin tamamen kilitlendiği anlamına gelir.

## Ön Döndürme Kilidi Kullanımı

bkz. görseller 29

Hareket yönünü korumak için ön döndürme kilitlerini yukarı itin.

29

**İpucu** Döndürme kilitlerinin düz olmayan yüzeylerde kullanılması önerilir.

## Fren Kullanımı

bkz. görseller 30 - 31

Tekerleri kilitlemek için fren koluna ayağınızla basın. 30

Tekerleri serbest bırakmak için fren kolunu yukarı doğru kaldırmanız yeterlidir. 31

**İpucu** Bebek arabası kullanılmıyorken her zaman park frenine alın.

## Tente Kullanımı

bkz. görseller 32 - 34

Tente, çocuğunuzu güneşten en iyi şekilde korumak için tamamen açılabilir; fermuarı açıp, 33 tenteyi öne doğru çekmeniz yeterlidir.

## Kulpu Ayarlama

bkz. görseller 35

## Oturak Değişimi

bkz. görseller 36 - 39

## Saklama Çantasının Kullanılması

bkz. görseller 40

Saklama Çantası A ve B'nin maksimum yükü 0,45 kg'dir.

## Bebek Arabasını Katlama

bkz. görseller 41 - 49

! Yatırma kolunun ortasındaki düğme, oturağın katlanması için kullanılır. 42 - 1

! Bebek arabası, tutamak en yüksek konumdayken ayakta durabilir. 46

! Depolanma kiliti otomatik depolanma destegine bağalanacak ve bebek arabası katlanabilir ve komple bloke edilir. 46 49

## Aksesuarların Kullanımı

Aksesuarlar, bölgeye bağlı olarak ayrı satılabilir veya mevcut olmayabilir.

## Çocuk Koltuğuyla Kullanım

bkz. görseller 50 - 55

i-Snug 2 & i-Gemm 3 & i-Level Recline & i-Jemini & Gemm 'ı Joie çocuk koltuğuyla birlikte kullanırken lütfen aşağıdaki talimatlara başvurun.

! "Tıklama" sesi adaptörün tamamen kilitletiği anlamına gelir.

! Çocuk koltuğunu kullanma konusunda herhangi bir sorun yaşarsanız, lütfen ilgili talimat kılavuzlarına başvurun.

! Bebek arabasını, çocuk koltuğu takılı durumdayken katlamayın.

## Portatif Karyola Kullanımı Ramble, Ramble XL

bkz. görseller 56 - 59

Joie portatif xl karyolayı kullanırken lütfen aşağıdaki talimatlara başvurun.

! "Tıklama" sesi adaptörün tamamen kilitletiği anlamına gelir.

! Karyolayı kullanırken her zaman şilteyi de kullanın.

- ! Karyolayı kullanma konusunda herhangi bir sorun yaşarsanız, lütfen ilgili talimat kılavuzlarına başvurun.
- ! Karyolayı, çocuk koltuğu takılı durumdayken katlamayın.

## Portatif Karyola Kullanımı

bkz. şekil 60 - 63

Joie calmi oto koltuğu ile kullanırken lütfen aşağıdaki talimatlara başvurun.

- ! “Tıklama” sesi adaptörün tamamen kilitletiği anlamına gelir.
- ! Oto koltuğunu kullanırken her zaman şilteyi de kullanın.
- ! Lütfen oto koltuğunu takmadan önce oto koltuğunun altındaki ağın düzgün şekilde sabitlendiğini kontrol edin.
- ! Oto koltuğunu kullanma konusunda herhangi bir sorun yaşarsanız, lütfen ilgili talimat kılavuzlarına başvurun.
- ! Bebek arabasını, oto koltuğu takılı durumdayken katlamayın.

## Yağmurluk Kullanımı

bkz. görseller 64

Yağmurluğu kurmak için, koltuğun üzerine yerleştirin.

- ! Yağmurluğu kullanırken lütfen her zaman havalandırmasını kontrol edin.
- ! Kullanılmıyorken, lütfen katlamadan önce yağmurluğun temizlenmiş ve kurumuş olduğunu kontrol edin.
- ! Yağmurluğu taktıktan sonra bebek arabasını katlamayın.
- ! Sıcak havalarda, çocuğunuzu bebek arabasına yağmurluk takılı olarak oturtmayın.

## Tekstil Malzemelerini Çıkarma ve Monte Etme

bkz. görseller 65 - 79

Kolçağı gösterildiği gibi çıkarın 26

Koltuk tekstil malzemelerini geri takmak için yukarıdaki adımları ters yönde izleyin 79 - 65

## Temizlik ve Bakım

bkz. görseller 80

- ! Bebek arabası çerçevesini temizlemek için yalnızca ev sabunu ve ılık su kullanın. Çamaşır suyu ya da deterjan kullanmayın. Bebek arabasının kumaş parçalarının temizliği konusunda yönergeler için lütfen bakım etiketine başvurun.
- ! Çıkarılabilir tekstil malzemeleri çamaşır makinesinde yıkanabilir. Çamaşır suyu kullanmayın. Koltuk kaplamasını ve iç pedi kurutmak amacıyla güç uygulayarak sıkmayın. Bu, koltuk kaplamasında ve iç altlıkta kırışıklıklara neden olabilir.
- ! Bebek arabanızı gevşeyen vidalar, eskimiş parçalar, yırtık malzeme ya da sökülmüş dikiş olup olmadığını tespit etmek için ara sıra kontrol edin. Gerek duyduğunuzda ilgili parçaları değiştirin ya da onarın. Plastik parçaları düzenli olarak yumuşak, nemli bir bezle silerek temizleyin. Bebek arabası suyla temas ederse, pas oluşumunu önlemek için metal parçaları mutlaka kurulayın.
- ! Güneşe ya da ısıya uzun süre maruz kalması halinde parçaların rengi solabilir ya da biçimsel bozulmalar görülebilir.
- ! Bebek arabası ıslanırsa, tenteyi açın ve depolamadan önce iyice kurummasını sağlayın.
- ! Tekerler gıcırdaarsa, hafif bir yağ (örneğin Silikon Sprey, paslanma önleyici yağ ya da dikiş makinesi yağı) kullanın. Yağı, aks ve teker donanımına uygulamak önemlidir. 80
- ! Bebek arabanızı plajda veya başka kumlu/tozlu ortamlarda kullanırken, mekanizmalar ve teker donanımlarındaki kumu ve tuzu gidermek için, bebek arabanızı kullanım sonrasında tamamen temizleyin.

## RU Вас приветствует компания Joie™

Поздравляем — вы стали частью семьи Joie! Мы рады отправиться в путь вместе с вами и вашим малышом. Joie Versatrax™ — это высококачественная коляска, сертифицированная по европейскому стандарту безопасности EN 1888-2:2018+A1:2022. Данное изделие предназначено для детей весом до 22 кг или возрастом до 4 лет (в зависимости от того, что наступит раньше). Внимательно прочтите настоящее руководство и выполняйте все рекомендации, чтобы обеспечить удобство в поездке и максимальную защиту ребенка.

Скачать руководства и ознакомиться с другой замечательной продукцией Joie можно на веб-сайте [joiebaby.com](http://joiebaby.com).

Сведения о гарантии опубликованы на веб-сайте [joiebaby.com](http://joiebaby.com)

Срок службы изделия - 3 года Гарантийный срок - 1 год.

По вопросам гарантийного обслуживания в РФ и РБ Беларусь - [help@infanta-co.ru](mailto:help@infanta-co.ru).

Обеспечено хранение в сухом и проветриваемом помещении.

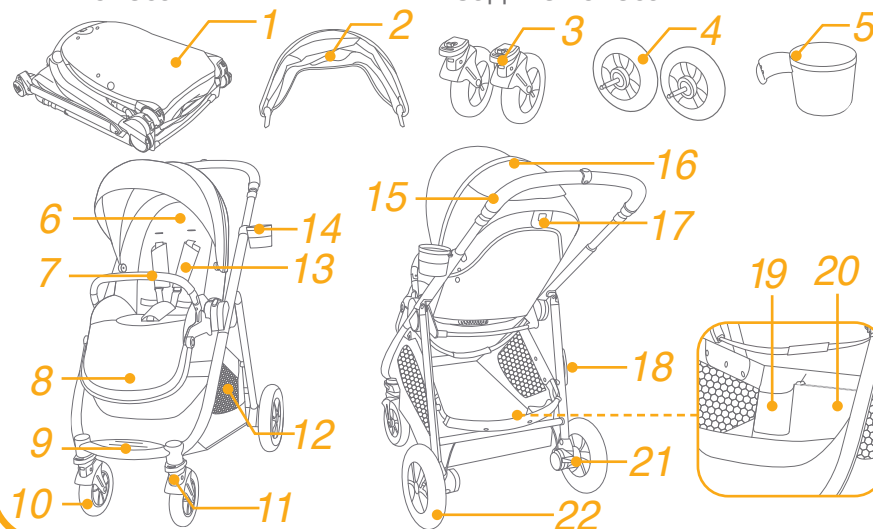
## Чрезвычайные ситуации

В случае чрезвычайного происшествия или несчастного случая следует незамедлительно оказать ребенку первую помощь и обратиться к врачу.

## Детали изделия

Перед сборкой данного изделия проверьте наличие всех деталей. В случае отсутствия любых деталей обратитесь в магазин, где было приобретено данное изделие. Для сборки не требуются инструменты.

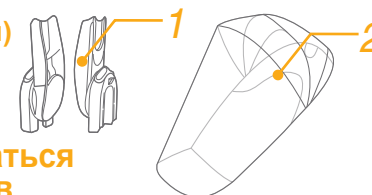
- |    |                           |    |                                |
|----|---------------------------|----|--------------------------------|
| 1  | Рама коляски              | 12 | Вещевая корзина                |
| 2  | Козырек                   | 13 | Плечевые ремни                 |
| 3  | Передние колеса           | 14 | Подстаканник                   |
| 4  | Задние колеса             | 15 | Рукоятка                       |
| 5  | Подстаканник              | 16 | Окно в козырьке                |
| 6  | Подкладка сиденья         | 17 | Рукоятка регулировки наклона   |
| 7  | Поручень                  | 18 | Фиксаторы сложенного состояния |
| 8  | Опора для ног             | 19 | Сумка для багажа А             |
| 9  | Подножка                  | 20 | Сумка для багажа Б             |
| 10 | Передние колеса           | 21 | Педаль тормоза                 |
| 11 | Фиксатор переднего колеса | 22 | Задние колеса                  |



## Принадлежности

(могут не входить в комплект поставки)

- 1 Адаптер
- 2 Дождевик



Принадлежности могут продаваться отдельно или не предлагаться в некоторых регионах.

## ПРЕДУПРЕЖДЕНИЯ

- ! **ВНИМАНИЕ** Категорически запрещается оставлять ребенка без присмотра.
- ! **ВНИМАНИЕ** Прежде чем использовать коляску, убедитесь, что задействованы все фиксаторы.
- ! **ВНИМАНИЕ** Во избежание причинения вреда здоровью ребенка не складывайте и не раскладываете коляску вблизи ребенка.
- ! **ВНИМАНИЕ** Не позволяйте ребенку играть с данным изделием.
- ! **ВНИМАНИЕ** Подходит для детей весом до 22 кг или возрастом до 48 месяцев.
- ! **ВНИМАНИЕ** Всегда используйте удерживающую систему.
- ! **ВНИМАНИЕ** Проверьте фиксацию крепежных приспособлений люльки, сидения коляски или автокресла перед использованием.
- ! Данное изделие не предназначено для бега или катания на роликах.
- ! В коляске допускается перевозить детей весом 0-22 кг. Перевозка в коляске детей большего веса может привести к ее повреждению.
- ! Для новорожденных спинку коляски рекомендуется опустить в самое низкое положение.
- ! Перед тем как помещать ребенка в коляску или извлекать его из коляски, необходимо задействовать тормоза.
- ! Во избежание опасного опрокидывания коляски не помещайте в вещевую корзину предметы весом более 4,5 кг.
- ! Подстаканник рассчитан на максимальный вес 0,5 кг (1 фунт).
- ! В коляске допускается перевозить только одного ребенка.
- ! Запрещается прикреплять различные предметы к рукоятке, спинке сиденья и боковым частям коляски. От дополнительной нагрузки коляска потеряет устойчивость и может перевернуться.
- ! Прикрепление любого груза к рукоятке, к спинке или боковым частям коляски приведет к нарушению устойчивости коляски.
- ! Не разрешается использовать принадлежности, не одобренные производителем коляски. Допускается использовать только запасные части, поставляемые или рекомендованные производителем коляски.
- ! Автолюлька, установленная на раму данной коляски, не заменяет люльку или кроватку для новорожденных. Чтобы уложить ребенка спать, его необходимо перенести в подходящую лежачую коляску, люльку или кровать.
- ! Во избежание удушья перед использованием данного изделия снимите с него пластиковый пакет и упаковочные материалы. Храните пластиковый пакет и упаковочные материалы в недоступном для детей месте.
- ! Переносная люлька предназначена только для тех детей, которые не могут самостоятельно сидеть, переворачиваться и вставать на четвереньки. Максимальный вес ребенка: 9 кг.
- ! **ЗАПРЕЩАЕТСЯ** использовать и укладывать в люльку матрасы помимо того, который поставляется в комплекте с ней.
- ! Сборку должны осуществлять взрослые.
- ! Перед использованием данного изделия прочтите все инструкции в настоящем руководстве. Сохраните настоящее руководство по эксплуатации для использования в будущем. Несоблюдение этих предупреждений и инструкций может привести к причинению серьезного вреда здоровью ребенка или летальному исходу.
- ! Во избежание причинения серьезного вреда здоровью ребенка в результате падения или выскальзывания из коляски обязательно используйте ремни безопасности.
- ! Во время регулировки коляски тело ребенка не должно соприкасаться с какими бы то ни было подвижными деталями.
- ! Категорически запрещается использовать коляску на лестницах и эскалаторах.
- ! Коляску необходимо держать вдали от горячих предметов, жидкостей и электронных приборов.
- ! Категорически запрещается помещать коляску на дороги, откосы и в другие опасные места.
- ! Во избежание удушья **ЗАПРЕЩАЕТСЯ** помещать предметы с лентами и веревками вокруг шеи ребенка.
- ! **ЗАПРЕЩАЕТСЯ** помещать ребенка в вещевую корзину.

- ! Во избежание зажатия соблюдайте осторожность при складывании и раскладывании коляски.
- ! С целью обеспечения безопасности ребенка перед использованием коляски необходимо убедиться, что все детали собраны и закреплены надлежащим образом.
- ! Во избежание удушья удостоверьтесь, что козырек не касается ребенка.
- ! Остановив коляску, обязательно задействуйте тормоза.
- ! В случае повреждения или поломки коляски ее необходимо прекратить использовать.
- ! Во избежание ожогов не помещайте в подстаканник горячие жидкости.
- ! Данное изделие предназначено для детей весом до 22 кг или возрастом до 4 лет (в зависимости от того, что наступит раньше).

## Сборка коляски

(См. рисунки на стр. 1-15)

Перед сборкой и использованием данного изделия прочтите все инструкции в настоящем руководстве.

## Раскладывание коляски

См. рисунки ① - ③

Разъедините фиксаторы сложенного состояния. ① Затем поверните ручку вверх. ②, Звук щелчка означает, что коляска полностью открылась.

! Перед использованием удостоверьтесь, что коляска полностью зафиксирована в разложенном состоянии.

! Открывая спинку сиденья, не давите на опору для ног. ③ - 1 Выполняя это действие, сложите и снова раскройте спинку, как показано на рис. 42.

## Установка и снятие передних колес

См. рисунки ④ - ⑤

## Установка и снятие задних колес

См. рисунки ⑥ - ⑦

## Сборка козырька

См. рисунки ⑧ - ⑩

## Сборка и снятие подстаканника

См. рисунки ⑪ - ⑫

Полностью собранная коляска показана на рисунке ⑬



## Использование коляски

### Регулировка положения спинки

См. рисунки 14 - 15

Спинку можно установить под 4 углами наклона.

Поднятие спинки

Чтобы поднять спинку, поверните рукоятку регулировки наклона на задней стороне спинки и потяните спинку вверх.

14

Опускание спинки

Чтобы откинуть спинку, поверните рукоятку регулировки наклона на задней стороне спинки и потяните спинку вниз.

15

! Не нажимайте на кнопку высвобождения 14 - 3 и 15 - 3 в центре рукоятки регулировки наклона, регулируя угол наклона.

! Установите подходящий для использования наклон спинки.

### Использование пряжки

См. рисунки 16 - 17

Расстегивание пряжки

Чтобы расстегнуть пряжку, нажмите центральную кнопку. 16

Застегивание пряжки

Совместите пряжку на поясном ремне с пряжкой на плечевом ремне 17 - 1 и защелкните их в центральной пряжке. 17 - 2 Когда пряжка полностью застегнется, вы услышите щелчок. 17 - 3

! Во избежание причинения тяжкого вреда здоровью ребенка в результате падения или выскальзывания из коляски обязательно пристегивайте ребенка ремнем.

! Удостоверьтесь, что ремни плотно прилегают к телу ребенка. Расстояние между телом ребенка и плечевыми ремнями не должно превышать толщину ладони.

! Не перекрещивайте плечевые ремни. Это приведет к сдавливанию шеи ребенка.

## Использование плечевых и поясных ремней

См. рисунки 18 - 23

! Во избежание выпадения ребенка из коляски, посадив его в коляску, удостоверьтесь, что плечевые и поясные ремни установлены на правильную высоту и имеют подходящую длину.

18 - 1 Якорь плечевого ремня безопасности А

18 - 2 Якорь плечевого ремня безопасности В

18 - 3 Регулятор длины ремня

Для крупного ребенка используйте якорь А и самые высокие отверстия для плечевых ремней. Для меньшего ребенка используйте якорь В и самые низкие отверстия для плечевых ремней.

Для регулировки положения фиксатора плечевого ремня разверните его плашмя и торцом вперед. Проденьте фиксатор через прорезь для плечевого ремня сзади вперед. 21 Снова проденьте его через прорезь, расположенную ближе всего к плечам ребенка. 22

С помощью регулятора длины отрегулируйте длину ремней. 23 - 1

Нажмите на кнопку 23 - 2 и одновременно вытяните поясной ремень на требуемую длину. 23 - 3

### Использование поручня

См. рисунки 24 - 26

### Регулировка положения опоры для ног

См. рисунки 27 - 28

Опору для ног можно установить в 2 положения.

Чтобы опустить опору для ног, нажмите на регулировочные кнопки с обеих сторон опоры для ног 27 - 1 и опустите ее. 27 - 2

Чтобы поднять опору для ног, потяните ее вверх. Когда опора зафиксируется должным образом, прозвучит щелчок.

## Использование фиксаторов передних колес

См. рисунки 29

Поднимите фиксаторы передних колес, чтобы сохранить направление движения. 29

**Совет** Фиксаторы передних колес рекомендуется использовать на неровных поверхностях.

## Использование тормоза

См. рисунки 30 - 31

Чтобы заблокировать колеса, опустите ногой педаль тормоза вниз. 30

Чтобы разблокировать колеса, поднимите педаль тормоза вверх. 31

**Совет** Всегда задействуйте тормоз, если не перемещаете коляску.

## Использование козырька

См. рисунки 32 - 34

Козырек можно разложить полностью, чтобы максимально защитить ребенка от солнца. Для этого расстегните молнию 33 и потяните козырек вперед.

## Регулировка положения рукоятки

См. рисунки 35

## Поворот сиденья

См. рисунки 36 - 39

## Использование сумки для багажа

См. рисунки 40

Максимальная нагрузка на сумки для багажа А и Б составляет 0,45 кг.

## Складывание коляски

См. рисунки 41 - 49

! Кнопка, расположенная в центре рукоятки регулировки наклона, служит для складывания сиденья. 42 - 1

! Коляска может стоять вертикально, если рукоятка находится в верхнем положении. 46

! Фиксатор автоматически закрывается, и коляска будет полностью сложена и закрыта. 46 49

## Использование принадлежностей

Принадлежности могут продаваться отдельно или не предлагаться в некоторых регионах.

## Использование коляски с удерживающей системой для новорожденных

См. рисунки 50 - 55

При использовании коляски с автолюлькой Joie i-Snug 2 & i-Gemm 3 & i-Level Recline & i-Jemini & Gemm следуйте приведенным ниже инструкциям.

! При полной фиксации адаптера слышится характерный "щелчок".

! В случае возникновения любых проблем при использовании автолюльки, ознакомьтесь с руководством по эксплуатации этой системы.

! Не складывайте коляску с установленной удерживающей системой для новорожденных.

## Использование переносной люльки Ramble, Ramble XL

См. рисунки 56 - 59

При использовании переносной люльки Joie ramble, ramble xl следуйте приведенным ниже инструкциям.

! При полной фиксации адаптера слышится характерный «щелчок».

! Переносную люльку можно использовать только с матрасом.

! В случае возникновения любых проблем при использовании переносной люльки ознакомьтесь с руководством по эксплуатации этой системы.

! Не складывайте коляску с установленной переносной люлькой.

## Использование переносной люльки

См. рисунки 60 - 63

При использовании с переносной кроваткой Joie calmi соблюдайте приведенные ниже инструкции.

! При полной фиксации адаптера слышится характерный “щелчок”.

! Переносная кроватка должна использоваться вместе с матрасом.

! Перед установкой переносной кроватки обязательно проверьте надежность крепления сетки в нижней ее части.

! Если в процессе эксплуатации переносной кроватки возникли проблемы, см. соответствующие инструкции по эксплуатации.

! Не складывайте коляску, если к ней прикреплен переносная кроватка.

## Использование дождевика

См. рисунки 64

Для сборки дождевика накройте им сиденье.

! При использовании дождевика обязательно проверяйте его вентиляцию.

! Неиспользуемый дождевик необходимо очистить, высушить и сложить.

! Не складывайте коляску, если на нее установлен дождевик.

! Не помещайте ребенка в коляску с дождевиком в жаркую погоду.

## Снятие и надевание деталей из ткани

См. рисунки 65 - 79

Снимите поручень, см. рисунок 26

Чтобы надеть тканевые детали, выполните приведенные выше шаги в обратном порядке 79 - 65

## Очистка и уход за изделием

См. рисунки 80

! Для очистки рамы коляски разрешается использовать только хозяйственное мыло и теплую воду. Запрещается использование отбеливателей и моющих средств. Инструкции по очистке тканевых деталей коляски приведены на памятке по уходу.

! Съёмную тканевую обивку допускается стирать в стиральной машине. Не отбеливать! Не скручивайте чехол и внутреннюю обивку сиденья при сушке. От этого на чехле и внутренней обивке сиденья могут появиться складки.

! Время от времени проверяйте коляску на наличие плохо закрепленных винтов, признаков износа деталей, повреждений материала и швов. Заменяйте или ремонтируйте детали по необходимости. Периодически протирайте пластиковые детали мягкой влажной тканью. В случае контакта коляски с водой обязательно вытирайте металлические детали насухо во избежание появления ржавчины.

! Чрезмерное нахождение на солнце или при повышенной температуре приводит к выцветанию или деформации деталей.

! Если коляска намочена, откройте козырек и хорошо просушите перед тем, как поместить коляску на хранение.

! Если скрипят колеса, смажьте их легким маслом (например силиконовой смазкой-аэрозолем, антикоррозийным маслом или маслом для швейных машин). Важно, чтобы при этом масло попало на ось и систему колеса. 76

! При использовании коляски на пляже или в местах с высоким содержанием пыли/песка полностью очищайте ее механизмы и колеса от песка и соли.

تهانينا لانضمامك إلى عائلة Joie! إننا في غاية السعادة لاشتراكنا في رحلتك مع طفلك الصغير، حيث يضمن النظام الذي تقدمه Joie Versatrax™، أقصى درجات السلامة أثناء القيادة لعربة أطفال عالية الجودة وآمنة بالكامل، كما أنه مطابق لمعايير السلامة الأوروبية رقم EN 1888-2:2018+A1:2022. لاؤأي تأي أمهياً، تاوندس ٤ وأ مچك ٢٢ ى تحل بافطأ عم مادختسللا بسائتم جتتملا اذه واتباع كل خطوة فيه لضمان قيادة مريحة وتوفير أفضل حماية لطفلك.

زوروا موقعنا الإلكتروني joiebaby.com لتحميل أدلة الاستخدام ومشاهدة منتجات Joie المشوقة!

لمعرفة معلومات الضمان؛ يرجى زيارة موقع الويب الخاص بنا على joiebaby.com

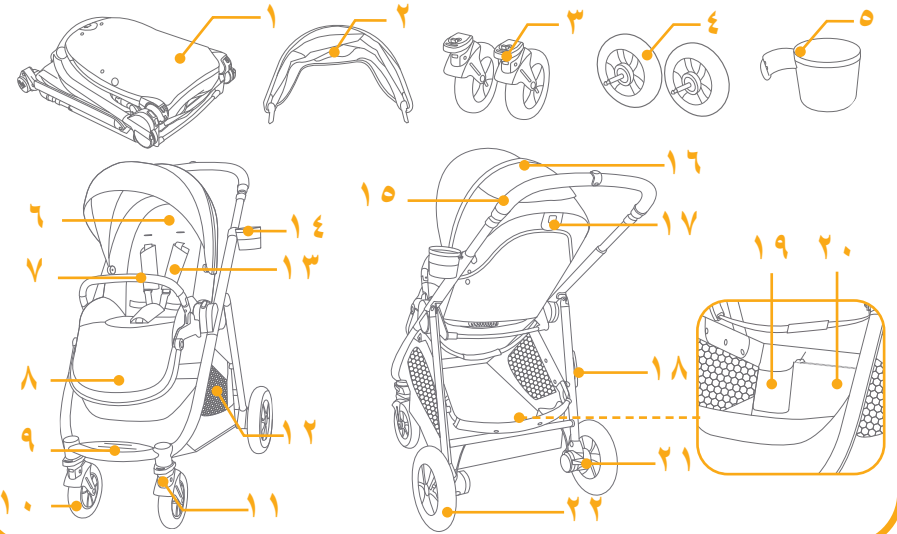
## الطوارئ

في حالات الطوارئ أو الحوادث، يرجى العناية بالطفل عن طريق القيام بالإسعافات الأولية وتقديم العلاج الطبي فوراً.

## قائمة الأجزاء

يرجى التأكد من توافر كافة الأجزاء قبل القيام بالتركيب، في حالة فقد أحد مكونات العربة، يرجى الاتصال بالموزع المحلي. لا داعٍ لاستخدام أية أدوات لتركيب العربة.

١٢	سلة التخزين	١	إطار عربة الأطفال
١٣	حزام الكتف	٢	المظلة
١٤	حامل الأكواب	٣	العجلة الأمامية
١٥	المقبض	٤	العجلة الخلفية
١٦	نافذة المظلة	٥	حامل الأكواب
١٧	زر ضبط الانحناء	٦	بطانة المقعد
١٨	مزلاج التخزين	٧	الذراع
١٩	حقيبة التخزين أ	٨	دعامة القدمين
٢٠	حقيبة التخزين ب	٩	مسند القدمين
٢١	ذراع الفرامل	١٠	العجلة الأمامية
٢٢	العجلة الخلفية	١١	القفل الدوار

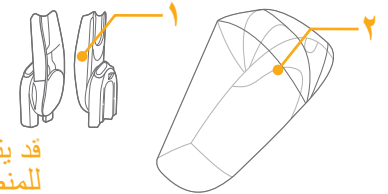


## الملحقات

(قد لا تكون مرفقة)

- ١ المهائى
- ٢ الغطاء الواقي من المطر

قد يتم بيع الملحقات فردياً أو قد لا تكون متاحة وفقاً للمنطقة.



## تحذير

- ! يحظر بتاتاً ترك طفلك دون مراقبة.
- ! «تحذير» تأكد من تأمين الأقفال كافة قبل الاستخدام.
- ! تأكد من إبعاد طفلك عند بسط العربة أو طيها لتجنب إلحاق أي ضرر به.
- ! تحذير، لا تدع الأطفال يعبتون بهذا المنتج.
- ! تحذير: مناسب للأطفال حتى ٢٢ كجم أو حتى ٤٨ شهراً.
- ! تحذير احرص دائماً على استخدام نظام تقييد حركة الطفل.
- ! تأكد من أن جسم عربة الأطفال أو وحدة المقعد أو أجهزة توصيل مقعد السيارة مركبة بشكل صحيح قبل الاستخدام.
- ! هذا المنتج غير مناسب للاستخدام أثناء الجري أو التزلح.
- ! استخدم عربة الأطفال هذه مع الأطفال من وزن ٠ إلى ٢٢ كجم. حيث إن استخدام العربة لحمل طفل زائد الوزن سيؤدي إلى تلفها.
- ! صُممت عربة الأطفال لاستخدامها منذ لحظة الولادة، ويفضل استخدام وضعية الانحناء المُصممة خصيصاً للأطفال حديثي الولادة.
- ! يجب تأمين المكابح عند وضع الطفل في العربة وإخراجه منها.
- ! لتفادي الحالات الخطرة أو غير المستقرة، لا تضع عناصر يزيد وزنها على ٤,٥ كجم في سلة التخزين.
- ! الحد الأقصى للوزن الموصى به في حامل الأكواب هو رطل واحد ( ٠,٥ كجم)
- ! استخدم العربة لحمل طفل واحد فقط في كل مرة.
- ! لا تربط أشياء بالمقبض أو ظهر المقعد أو جوانب عربة الأطفال. فإن أي حمل إضافي يؤثر على ثبات عربة الأطفال وقد يتسبب في انقلابها.
- ! لا تربط أشياء بالمقبض أو ظهر المقعد أو جوانب عربة الأطفال لأنها ستؤثر على ثبات العربة.
- ! يجب عدم استخدام قطع الغيار غير المعتمدة من قبل الجهة المُصنعة. فيجب ألا يتم استخدام إلا قطع الغيار المرفقة أو الموصى بها من قبل الجهة المُصنعة.

- ! لا تستبدل هذه العربة بسرير الطفل أو الفراش وذلك في أنظمة تقييد حركة الطفل المقترن بهيكل السيارة. وفي حالة رغبة الطفل في النوم، يجب وضعه في عربة الطفل أو حقيبة حمل أو سرير ملائمين.
- ! لتفادي الاختناق، احرص على إزالة الكيس البلاستيكي ومواد التعبئة قبل استخدام المنتج. يرجى الاحتفاظ بالكيس البلاستيكي ومواد التعبئة بعيداً عن متناول الأطفال والرضع.
- ! لا تُستخدم حقيبة حمل الطفل إلا مع الأطفال غير القادرين على الجلوس دون دُعامة وكذلك غير القادرين على دفع أنفسهم لأعلى. الحد الأقصى لوزن الطفل: ٩ كجم.
- ! تجنب وضع أي مفارش أو أحشية غير المثبتة بحقيبة حمل الطفل.
- ! يجب تركيب الكرسي بواسطة شخص بالغ.
- ! يُرجى قراءة كل التعليمات الواردة في هذا الدليل قبل استخدام المنتج. كما يرجى الاحتفاظ بهذا الدليل لاستخدامه في المستقبل. وقد يؤدي عدم مراعاة هذه التحذيرات وإتباع التعليمات إلى وقوع إصابات بالغة أو الوفاة.
- ! احرص على استخدام حزام الأمان دائماً لتفادي وقوع الإصابات البالغة الناتجة عن الوقوع أو الانزلاق.
- ! تأكد من ابتعاد جسد طفلك عن الأجزاء المتحركة عند ضبط العربة.
- ! يُحظر استخدام عربة الأطفال على درج أو سلاسل كهربائية.
- ! احرص على إبعاد العربة عن مصادر الحرارة المرتفعة أو السوائل أو الأجهزة الإلكترونية.
- ! يُحظر وضع عربة الأطفال على الطرق أو المنحدرات أو المناطق الخطرة.
- ! لتفادي الاختناق، تجنب وضع أي أجسام مزودة بسلاسل حول رقبة الطفل أو قم بفصل السلاسل عن المنتج أو ربطها في الألعاب.
- ! تجنب وضع الطفل داخل سلة التخزين.
- ! لتجنب انحشار الأصابع، احرص على طيّ العربة أو بسطها بعناية.

## تركيب عربية الأطفال

(يرجى الرجوع إلى الأشكال الموضحة بالصفحات ١-١٥)

يرجى قراءة كافة التعليمات الواردة في هذا الدليل قبل تركيب المنتج واستخدامه.

### فتح العربية

راجع الصور ١ - ٣

قم بفصل مزلاج التخزين عن منطقة التخزين ١ ، ثم قم برفع المقبض لأعلى ٢ لحين سماع صوت يؤكد أن العربية قد فتحت بالكامل، وحرك مسند الظهر للوضع الأفقي.

! تحقق من غلق مزلاج العربية بالكامل قبل المتابعة.

! يرجى عدم الضغط على مسند الساق أثناء فتح مسند الظهر. ٣ - ١ وإذا كان الأمر كذلك فيرجى تعليم ٤٦ لطي مسند الظهر وإعادة فتحه.

### تركيب وفصل العجلة الأمامية

راجع الصور ٤ - ٥

### تركيب وفك العجلات الخلفية

راجع الصور ٦ - ٧

### تركيب المظلة

راجع الصور ٨ - ١٠

### تركيب وفصل حامل الأكواب

راجع الصور ١١ - ١٢

تم توضيح تعليمات تركيب العربية بالكامل على النحو ٢

! لضمان سلامة طفلك، يُرجى التأكد من تركيب كل المكونات وإحكام ربطها جيداً قبل استخدام العربية.

! لتجنب اختناق طفلك، تأكد من إبعاده عن الغطاء.

! احرص على تأمين المكابح عند وقوف العربية.

! احرص على عدم استخدام العربية في حال تعرضها للتلف أو الكسر.

! تجنب وضع سوائل ساخنة في حامل الأكواب لتفادي الإصابة بحروق.

! لاؤأي تأي أمهياً، تاونسد ٤ وأ مچك ٢٢ ى تحل افظأ عم مادختسللا بسانمچ تنملا اذه

## استخدام أحزمة الكتف والخصر

راجع الصور ١٨ - ٢٢

! لحماية طفلك من السقوط، تحقق من ملائمة طول وارتفاع أحزمة الكتف والخصر بعد وضع الطفل على المقعد.

١ - ١٨ مثبت حزام الكتف من النوع A

٢ - ١٨ مثبت حزام الكتف من النوع B

٣ - ١٨ ضابط الانزلاق

استخدم مثبت حزام الكتف من النوع أ والفتحات العلوية للحزام مع الأطفال ذوي الحجم الكبير. استخدم مثبت حزام الكتف من النوع ب والفتحات السفلية للحزام مع الأطفال ذوي الحجم الصغير.

لضبط وضع مثبت حزام الكتف، قم بإدارة المثبت ليكون في نفس مستوى الجانب المتجه للأمام. أدخل الحزام عبر فتحة حزام الكتف من الخلف إلى الأمام. ٢١ وقم بإعادة إدخاله من خلال الفتحة الأقرب لمستوى ارتفاع كتف الطفل. ٢٢

استخدم ضابط الانزلاق لتغيير طول الحزام. ٢٢ - ١

اضغط على الزر ٣ - ٢، أثناء سحب حزام الخصر للوصول إلى الطول المناسب.

٣ - ٢٢

## استخدام الذراع

راجع الصور ٢٤ - ٢٦

## ضبط مسند الساق

راجع الصور ٢٧ - ٢٨

توجد وضعيتان لدعامة القدمين.

لخفض مسند القدمين، قم بالضغط على أزرار الضبط الموجودة على كلا جانبيه ٢٧ - ١، ثم قم لف المسند لأسفل. ٢٧ - ٢

لرفع مسند الساق، ارفعه لأعلى. A عند سماع صوت "طققة" فهذا يشير إلى غلق الإبزيم بالكامل.

## تشغيل العربة

### ضبط مسند الظهر

راجع الصور ١٤ - ١٥

صُمم مسند الظهر بأربع زوايا إمالة.

رفع مسند الظهر

لرفع مسند الظهر لف مقبض الانحناء الموجود خلف المقعد، واسحب مسند الظهر لأسفل.

١٤

إمالة مسند الظهر

لإمالة مسند الظهر إلى الخلف لف مقبض الانحناء الموجود خلف المقعد، واسحب مسند

الظهر لأسفل. ١٥

! يرجى عدم الضغط على زر التحرير ١٤ - ٣ & ١٥ - ٣ الموجود في منتصف مقبض الانحناء عند ضبط زاوية الانحناء.

! تأكد من أن وضع الإنحناء صالح للاستخدام

## استخدام إبزيم الحزام

راجع الصور ١٦ - ١٧

تحرير الإبزيم

اضغط على الزر الموجود بمنطقة الوسط لتحرير الإبزيم. ١٦

غلق الإبزيم

قم بتوصيل إبزيم حزام الخصر مع إبزيم الكتف ١٧ - ١، ثم اضغط على إبزيم الوسط.

١٧ - ٢ عند سماع صوت "طققة" فهذا يشير إلى غلق الإبزيم بالكامل. ١٧ - ٣

! لتفادي وقوع إصابات بالغة ناجمة من الوقوع أو الانزلاق، احرص دائماً على تأمين طفلك باستخدام الحزام.

! تأكد من تثبيت طفلك بإحكام! تأكد من أن المسافة بين الطفل وحزام الكتف تساوي سُمك يد واحدة تقريباً.

! تجنب عكس أحزمة الكتف. فهذا سيؤدي إلى الضغط على رقبة الطفل.

## طّي العربية

راجع الصور ٤١ - ٤٩

! يستخدم الزر الموجود في منتصف مقبض الانحناء لطّي المقعد. ٤٦ - ١

! يمكن إيقاف العربية في وضعية عمودية عندما يكون المقبض في الموضع الأعلى. ٤٦

! هنا سيتعلق مزلاج التخزين بصورة أوتوماتيكية بمزلاج التثبيت، ثم تطوى العربية بلاكامل ويحكم إغلاقها. ٤٦ ٤٩

## استخدام الملحقات

قد يتم بيع الملحقات فردياً أو قد لا تكون متاحة وفقاً للمنطقة.

## الاستخدام مع نظام تقييد حركة الطفل الرضيع

راجع الصور ٥٠ - ٥٥

عند الاستخدام مع i-Level Recline & i-Jemini & ٣ i-Gemm & ٢ i-Snug، يُرجى اتباع التعليمات التالية:

! عند سماع صوت "طققة" فهذا يشير إلى غلق المهائى بالكامل.

! يُرجى الرجوع إلى دليل التعليمات الخاص بنظام تقييد حركة الطفل، عند مواجهة أية مشكلة أثناء استخدامها.

! برجاء عدم طّي العربية في الوقت الذي لا يزال فيه نظام تقييد حركة الطفل مركباً.

## استخدام حقيبة حمل الطفل Ramble, Ramble XL

راجع الصور ٥٦ - ٥٩

عند الاستخدام مع حقيبة تجوال الأطفال الكبيرة من Joie، يُرجى اتباع التعليمات التالية.

! عند سماع صوت "طققة" فهذا يشير إلى غلق المهائى بالكامل.

! استخدم المرتبة باستمرار عند استعمال حقيبة حمل الطفل.

## استخدام القفل الدوار الأمامي

راجع الصور ٢٩

اسحب الأقفال الأمامية الدوارة لأعلى للحفاظ على اتجاه الحركة. ٢٩

**تلميح** يوصى باستخدام الأقفال الدوارة مع الأسطح غير المستوية.

## استخدام المكابح

راجع الصور ٣٠ - ٣١

لإيقاف حركة العجلات، اضغط على لسان المكبح نحو الأسفل. ٣٠

لتحرير حركة العجلات، ما عليك سوى رفع لسان المكبح. ٣١

**تلميح** احرص دائماً على تأمين المكابح عند وقوف العربية.

## استخدام المظلة

راجع الصور ٣٢ - ٣٤

يمكن فتح الغطاء تماماً لحماية طفلك من أشعة الشمس، حيث إن كل ما عليك فعله هو فك السوستة ٣٢، ثم اسحب الغطاء في الاتجاه الأمامي.

## ضبط المقبض

راجع الصور ٣٥

## تبديل وضع المقعد

راجع الصور ٣٦ - ٣٩

## استخدام حقيبة التخزين

راجع الصور ٤٠

الحد الأقصى لحمولة حقيبة التخزين أ و ب ٠,٤٥ كجم.



## التنظيف والصيانة

### راجع الصور ٨٠

! لتنظيف إطار العربة، استخدم صابوناً منزلياً وماء دافئاً فقط. ويحظر استخدام أية منظفات أو مبيضات. يُرجى الرجوع إلى ملصق العناية للحصول على تعليمات حول تنظيف قطع قماش العربة.

! يمكن غسل الأجزاء اللينة القابلة للإزالة في الغسالة. ويحظر استخدام المبيضات. تجنب عصر غطاء المقعد والبطانة الداخلية لتجفيفهما بقوة مفرطة. فقد يؤدي ذلك إلى ترك تجاعيد في الغطاء والبطانة.

! تحقق من وقت لآخر من عدم وجود أجزاء تالفة أو أقمشة ممزقة أو براغي مفكوكة أو غرز خياطة ممزقة. واحرص على استبدال الأجزاء التالفة أو إصلاحها عند الحاجة. امسح الأجزاء البلاستيكية ونظفها بصورة دورية باستخدام قطعة قماش مبللة. قم بتجفيف الأجزاء المعدنية دائماً لتجنب تكوين الصدأ، في حالة تعرض العربة للماء.

! قد يتسبب التعرض المفرط لأشعة الشمس أو الحرارة في تلف أجزاء العربة أو تشويهها.

! في حالة بلل عربة الأطفال، افتح الغطاء واطرها لتجف جيداً قبل تخزينها.

! في حال صرير العجلات، استخدم زيتاً خفيفاً (مثل بخاخ السيلكون أو زيت منع الصدأ أو بخاخ التلميع المنزلي أو زيت ماكينة الخياطة). ويوصى بوضع الزيت داخل تركيبات العجلات والمحور. ٨٠

! عند استخدام عربة الأطفال على الشاطئ أو على أي بيئة رملية/ملبدة بالغبار، احرص على تنظيف تركيبات العجل والمعدات من الرمال والملح جيداً بعد الاستخدام.

! يُرجى الرجوع إلى دليل التعليمات الخاص بحقائب حمل الطفل عند مواجهة أية مشكلة أثناء استخدامها.

! يرجى عدم طي عربة الأطفال بينما لا تزال حقيبة حمل الطفل مركّبة بها.

### استخدام حقيبة حمل الطفل

#### راجع الصور ٦٠ - ٦١

عند استخدام سرير السيارة من Joie، يرجى الرجوع إلى التعليمات التالية.

! يشير سماع صوت «نقرة» إلى قفل المهائى بالكامل.

! استخدم المرتبة دائماً عند استخدام سرير السيارة.

! يرجى التحقق من سلامة تثبيت الشبكة في الجزء السفلي من سرير السيارة قبل تركيب السرير.

! إذا واجهت أي مشكلات في استخدام سرير السيارة، يرجى الرجوع إلى دليل تعليمات استخدامه.

! يرجى عدم طي العربة وسرير السيارة ما زال مركّبة بها.

### استخدام الغطاء الواقي من المطر

#### راجع الصور ٦٤

لتركيب غطاء المطر، ضعه أعلى المقعد.

! عند استخدام الغطاء، يرجى التأكد من التهوية بصورة مستمرة.

! في حالة عدم استخدام الغطاء الواقي من المطر، تأكد من تنظيفه وتجفيفه قبل طيه.

! يُرجى عدم طي العربة بعد تركيب الغطاء.

! تجنب وضع الطفل في عربة الأطفال المثبت بها الغطاء الواقي من المطر في حالة الطقس الحار.

### فك وتركيب الأجزاء اللينة

#### راجع الصور ٦٥ - ٧٩

#### إزالة الذراع الموضح ٦٦

لإعادة تركيب الأجزاء اللينة من المقعد، اتبع الخطوات المذكورة أعلاه بترتيب عكسي.

#### ٧٩ - ٦٥

## ET Tere tulemast Joie™ perre!

Õnnitleme teid Joie toodete kasutajaskonnaga liitumise puhul! Meil on väga hea meel, et saame saata teid ja teie pisikest eesootavatel ühistel rännakutel. Käruga Joie Versatrax™ reisides kasutate kvaliteetset, täielikult sertifitseeritud jalutuskäru, mis vastab Euroopa ohutusstandardile EN 1888-2:2018+A1:2022. Toode sobib kehakaaluga kuni 22 kg või kuni 4-aastastele lapsele (arvestada varem täituvat tingimust). Lugege see kasutusjuhend hoolikalt läbi ning järgige kõiki juhiseid, et tagada lapse sõidumugavus ja pakkuda talle parimat kaitset.

**TÄHTIS! LUGEGE HOOLIKALT LÄBI JA HOIDKE ALLES.**

Veebisaidilt joiebaby.com saate alla laadida teisigi kasutusjuhendeid ja avastada enda jaoks uusi põnevaid Joie tooteid.

Garantiiteabe saamiseks külastage meie veebisaiti joiebaby.com.

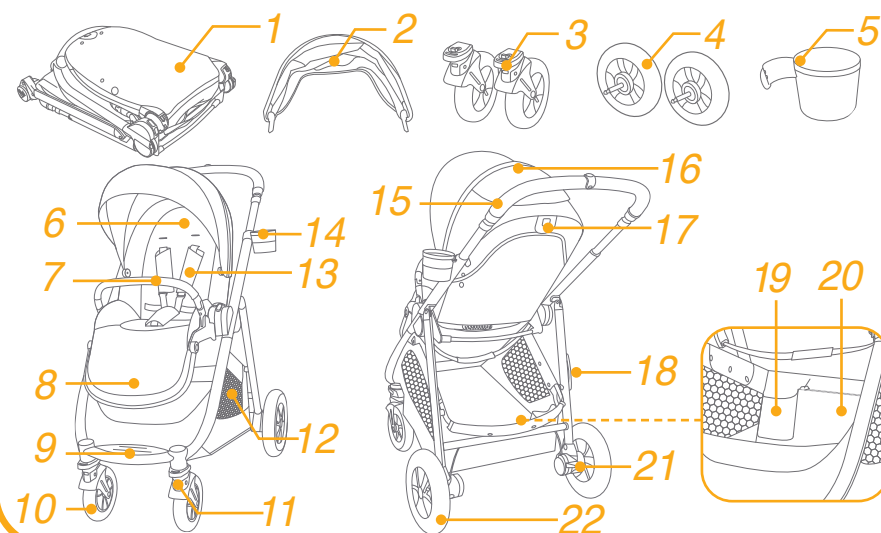
## Tegutsemine hädaolukorras

Hädaolukorra tekkides või õnnetusse sattudes on tähtis anda lapsele kohe esmaabi ja tagada vajalik ravi.

## Osade loend

Enne jalutuskäru kokkupanemist veenduge, et kõik osad oleksid olemas. Kui mõni osa on puudu, pöörduge kohaliku edasimüüja poole. Käru kokkupanekuks tööriistu vaja ei lähe.

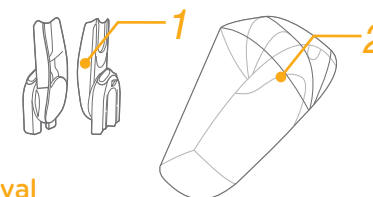
- |                     |                          |
|---------------------|--------------------------|
| 1. Jalutuskäru raam | 12. Hoiukorv             |
| 2. Varikate         | 13. Traksvöö õlarihmad   |
| 3. Esirattad        | 14. Topsisoidja          |
| 4. Tagarattad       | 15. Käepide              |
| 5. Topsisoidja      | 16. Varikatte aken       |
| 6. Istmepehmeni     | 17. Seljatoe reguleerija |
| 7. Käetugi          | 18. Hoideriiv            |
| 8. Säätetugi        | 19. Hoiukorv A           |
| 9. Jalatugi         | 20. Hoiukorv B           |
| 10. Esirattad       | 21. Pidurihoob           |
| 11. Rattalukk       | 22. Tagarattad           |



## Tarvikud

(ei pruugi olla kaasas)

1. Adapter
2. Vihmakate



Mõnes riigis ei pruugi tarvikuid saada val olla või on need müügil eraldi.

## HOIATUSED

- ! HOIATUS Ärge kunagi jätke last järelevalveta.
- ! HOIATUS Enne kasutamist veenduge, et kõik lukustusseadised oleksid õigesti kinnitatud.
- ! HOIATUS Vigastuste vältimiseks veenduge, et käru kokkupaneku ja lahtivoltimise ajal viibiks laps eemal.
- ! HOIATUS Ärge laske lapsel jalutuskäruga mängida.
- ! HOIATUS Sobib kuni 22 kg raskusele või kuni 48 kuu vanusele lapsele.
- ! HOIATUS Kasutage alati turvasüsteemi.
- ! HOIATUS Enne kasutamist veenduge, et vankrikorvi ja turvasüsteemi kinnituseadised oleksid õigesti kinnitatud.
- ! See toode ei sobi kasutamiseks jooksmisel ega uisutamisel.
- ! Jalutuskäru sobib lapsele, kelle kehakaal on väiksem kui 22kg. Raskema lapse sõidutamine võib toodet kahjustada.
- ! Sünnist alates kasutatavate kärude puhul on vastsündinu sõidutamiseks soovitatav lasta seljatugi võimalikult alla.
- ! Lapse kärusse panemisel ja kärust väljavõtmisel kasutage seisupidurit.
- ! Ohtlike olukordade ja käru tasakaalu kaotuse vältimiseks ärge pange hoiukorvi rohkem kui 4,5 kg jagu esemeid.
- ! Topsihoidja maksimaalne kandevõime on 0,5 kg.
- ! Sõidutage jalutuskärus korraga ainult üht last.
- ! Ärge kinnitage midagi jalutuskäru käepideme, istme seljatoe ega külgede külge. Igasugune lisakoormus mõjutab käru tasakaalu ja võib selle ümber ajada.
- ! Igasugune raskus, mis asetatakse käru käepidemele, seljatoe taha või vankri külgedele, mõjutab selle tasakaalu.
- ! Tarvikuid, mida tootja pole heaks kiitnud, kasutada ei tohi. Kasutage ainult tootja pakutavaid või soovitatud asendusosi.
- ! Hoolimata turvasüsteemi olemasolust, ei asenda jalutuskäru magamisaset. Kui laps soovib magada, tuleb ta panna sobivasse vankrikorvi või voodisse.

- ! Lämmumise vältimiseks eemaldage enne toote kasutamist sellelt kilekotid ja muu pakkematerjal. Kilekotid ja muu pakkematerjal tuleb panna lastele kättesaamatusse kohta.
- ! Vankri kandekorv sobib ainult sellistele lastele, kes ei oska veel ise istukile tõusta, end külili keerata ega neljakäpukile ajada. Lapse maksimaalne lubatud kehakaal: 9 kg.
- ! Kasutage ainult kandekorvi komplekti kuuluvat madratsit.
- ! Käru peab kokku panema täiskasvanu.
- ! Enne toote kasutamist lugege läbi kõik selles kasutusjuhendis esitatud juhised. Hoidke kasutusjuhend alles. Siinsete juhiste ja hoiatuste järgimata jätmine võib kaasa tuua raskeid tervisekahjustusi või surma.
- ! Kärust kukkumise või väljalibisemise vältimiseks kasutage alati turvavööd.
- ! Vaadake, et laps ei läheks käru reguleerimisel selle liikuvate osade vastu.
- ! Ärge kunagi kasutage käru treppidel ega eskalaatoritel.
- ! Hoidke käru eemal kõrge temperatuuriga esemetest, vedelikest ja elektroonikast.
- ! Ärge kunagi jätke käru tee peale, kallakule ega muudesse ohtlikesse kohtadesse.
- ! Lämmumise vältimiseks ärge pange lapsele kaela nööri ega esemeid ning ärge riputage nööri käru ega mänguasjade külge.
- ! Ärge sõidutage last käru all asuvas hoiukorvis.
- ! Käru kokku pannes ja lahti voltides olge ettevaatlik, et sõrmed kusagile vahele ei jääks.
- ! Lapse ohutuse tagamiseks veenduge enne käru kasutamist, et kõik selle osad oleksid õigesti kokku pandud ja kinnitatud.
- ! Lämmumise vältimiseks veenduge, et laps ei asetseks varikattele liiga lähedal.
- ! Käru seismajätmisel kasutage alati pidureid.
- ! Kui käru on kahjustatud või katki, lõpetage selle kasutamine.
- ! Põletuste vältimiseks ärge kunagi pange topsihoidjasse kuuma joogiga topsi.
- ! Toode sobib kehakaaluga kuni 22 kg või kuni 4-aastastele lapsele (arvestada varem täituvat tingimust).

## Jalutuskäru kokkupanek

(Vaadake jooniseid lehekülgedel 1–15)

Enne toote kokkupanekut ja kasutamist lugege läbi kõik selles juhendis esitatud juhised.

### Jalutuskäru avamine

Vaadake jooniseid ① - ③

Võtke hoideriiv kinnituse küljest lahti ① ja tõstke käepide üles ②; kui kostab klõpsatus, siis on lapsekäru täiest avatud asendis.

! Enne kasutamist veenduge, et käru oleks igalt poolt korralikult lahti tõmmatud ja kinnitatud.

! Seljatoe avamisel ärge suruge vastu sääretuge. ③ - 1 Kui seda teete, siis vaadake joonist ④ ning voltige seljatugi kokku ja proovige seda uuesti avada.

### Esirataste paigaldamine ja eemaldamine

Vaadake jooniseid ④ - ⑤

### Tagarataste paigaldamine ja eemaldamine

Vaadake jooniseid ⑥ - ⑦

### Varikatte paigaldamine

Vaadake jooniseid ⑧ - ⑩

### Topsihoidja paigaldamine ja eemaldamine

Vaadake jooniseid ⑪ - ⑫

Täielikult kokkupandud jalutuskäru on kujutatud joonisel. ⑬

## Jalutuskäru kasutamine

### Seljatoe reguleerimine

Vaadake jooniseid ⑭ - ⑮

Seljatuge on võimalik reguleerida nelja kaldenurga all.

Seljatoe ülestõstmine

Seljatoe ülestõstmiseks kasutage istme taga olevat kallutuskäepidet ning lükake seljatugi üles. ⑭

Seljatoe allalaskmine

Seljatoe allalaskmiseks kasutage istme taga olevat kallutuskäepidet ning tõmmake seljatugi alla. ⑮

! Kaldenurga muutmisel ärge vajutage kallutuskäepideme keskel olevat nuppu ⑭ - 3 ja ⑮ - 3 .

! Veenduge, et seljatoe kalle oleks kasutamiseks sobiv.

### Traksvöö kinniti kasutamine

Vaadake jooniseid ⑯ - ⑰

Kinniti avamine

Kinniti avamiseks vajutage keskmist nuppu. ⑯

Kinniti lukustamine

Ühendage vöö- ja õlarihma pandlad ⑰ - 1, ning suruge need klõpsatusega kesksesse kinnitisse. ⑰ - 2 Klõpsatus annab märku, et rihtmud on korralikult lukustunud. ⑰ - 3

! Kärust kukkumise või väljalibisemise tagajärjel tekkivate vigastuste vältimiseks kinnitage laps alati traksvööga.

! Veenduge, et laps oleks kinnitatud mugavalt ja turvaliselt. Lapse keha ja traksvöö õlarihmade vahele peab jääma ainult nii palju ruumi, et kaelaba sinna vahele mahuks.

! Ärge asetage õlarihmasid risti. See avaldab lapse kaelale survet.

## Õla- ja vöörihmade kasutamine

Vaadake jooniseid 18 - 23

! Lapse kärust kukkumise takistamiseks veenduge pärast lapse kärusse paigutamist, et traksvöö õla- ja vöörihmad asetseksid õigel kõrgusel ja oleksid õige pikkusega.

18 - 1 Õlarihma kinniti A

18 - 2 Õlarihma kinniti B

18 - 3 Libistatav regulaator

Suurema lapse korral kasutage õlarihma ankru A ja kõrgemal olevaid õlarihma kinnituskohti. Kui laps on veel väike, kasutage õlarihma ankru B ja alumisi kinnituskohti.

Õlarihma kinniti kõrguse reguleerimiseks suruge kinniti lapiti vastu rihma. Seejärel lükake kinniti läbi seljatoes oleva õlarihma ava tagantpool ettepoole. 21

Nüüd pistke kinniti eestpoolt tahapoole läbi selle ava, mis on lapse õlgadele kõige lähemal. 22

Traksvöö õlarihmade pikkuse muutmiseks kasutage libistatavat regulaatorit. 23 - 1

Vöörihma reguleerimiseks vajutage nuppu 23 - 2 ja samal ajal tõmmake rihma. 23 - 3

## Käetoe kasutamine

Vaadake jooniseid 24 - 26

## Sääretoe reguleerimine

Vaadake jooniseid 27 - 28

Sääretoel on kaks asendit.

Toe allalaskmiseks vajutage selle mõlemal küljel olevatele reguleerimisnuppudele 27 - 1 ja vajutage sääretuge allapoole. 27 - 2

Toe tõstmiseks tõmmake seda ülespoole. Klõpsatus annab märku, et sääretugi on korralikult lukustunud.

## Esiratta luku kasutamine

Vaadake jooniseid 29

Liikumissuuna hoidmiseks lükake esirataste lukud üles. 29

**NB** Rattalukku on soovitatav kasutada ebatasasel pinnal.

## Piduri kasutamine

Vaadake jooniseid 30 - 31

Seisupiduri kasutamiseks vajutage pidurihoob jalaga alla. 30

Seisupiduri pealtvõtmiseks lükake pidurihooba ülespoole. 31

**NB** Kui jätate käru kusagile mõneks ajaks seisma, pange alati seisupidur peale.

## Varikatte kasutamine

Vaadake jooniseid 32 - 34

Varikatte saab lahti tõmmata, et kaitsta last päikese eest. Selleks avage lukk, 33 ja tõmmake varikate ette.

## Käepideme reguleerimine

Vaadake jooniseid 35

## Istme ümberpööramine

Vaadake jooniseid 36 - 39

## Hoiukorvi kasutamine

Vaadake jooniseid 40

Hoiukorvi A ja B maksimaalne kandevõime on 0,45 kg.

## Jalutuskäru kokkuvoltimine

Vaadake jooniseid 41 - 49

- ! Istme kokkuvoltimiseks kasutage seljatoe regulaatori käepideme keskel olevat nuppu. 42 - 1
- ! Jalutuskärgu püsib püsti, kui käepide on ülemises asendis. 46
- ! Kui hoideriiv sulgub automaatselt kinnituse külge, on lapsekäru fikseeritud kokkupandud asendisse . 46 49

## Tarvikute kasutamine

Mõnes riigis ei pruugi tarvikuid saadaval olla või on need müügil eraldi.

### Raami kasutamine koos turvahälliga

Vaadake jooniseid 50 - 55

- Kui kasutate käruraami koos Joie turvahälliga i-Snug 2 & i-Gemm 3 & i-Level Recline & i-Jemini & Gemm, siis vaadake alljärgnevat juhiseid.
- ! Klõpsatus annab märku, et adapter on korralikult lukustunud.
  - ! Kui teil peaks turvahälli kasutamisel probleeme tekkima, siis lugege turvahälli enda kasutusjuhendit.
  - ! Ärge voltige käru kokku, kui turvahäll on käru külge kinnitatud.

### Kandekorvi kasutamine Ramble, Ramble XL

Vaadake jooniseid 56 - 59

- Kui kasutate käruraami koos Joie kandekorviga ramble, ramble xl, siis vaadake alljärgnevat juhiseid.
- ! Klõpsatus annab märku, et adapter on korralikult lukustunud.
  - ! Asetage kandekorvi alati madrats.
  - ! Kui teil peaks kandekorvi kasutamisel probleeme tekkima, siis lugege kandekorvi enda kasutusjuhendit.
  - ! Ärge voltige käru kokku, kui kandekorv on käru külge kinnitatud.

## Kandekorvi kasutamine

Vt pilti 60 - 63

- Kasutamisel koos autovoodiga Joie calmi toimige vastavalt järgmistele juhistele.
- ! Klõpsatus annab märku, et adapter on korralikult fikseeritud.
  - ! Kasutage autovoodis alati madratsit.
  - ! Enne autovoodi paigaldamist kontrollige, kas autovoodi põhjavõrk on korralikult kinnitatud
  - ! Vajadusel juhendage autovoodiga kaasas olevast kasutusjuhendist.
  - ! Ärge pange jalutuskäru kokku, kui autovoodi on selle külge kinnitatud.

### Vihmakatte kasutamine

Vaadake jooniseid 64

- Vihmakatte paigaldamiseks tõmmake see üle istme.
- ! Katte kasutamisel kontrollige alati, kas õhk pääseb katte alla.
  - ! Kui te vihmakatet parajasti ei kasuta, siis veenduge, et see oleks enne kokkuvoltimist puhastatud ja kuivatatud.
  - ! Ärge voltige käru kokku, kui vihmakate on kärule peale tõmmatud.
  - ! Ärge pange last kuuma ilmaga vihmakattega kaetud kärusse.

## Pehmete katete pealepanek ja eemaldamine

Vaadake jooniseid 65 - 79

- Eemaldage käetugi, nagu on näidatud joonisel 26.
- Katete tagasipanekuks tehke ülalnimetatud toimingud läbi vastupidises järjekorras 79 - 65

## Puhastamine ja korrashoid

### Vaadake jooniseid 80

- ! Jalutuskäru raami puhastamiseks kasutage pesuseepi ja sooja vett. Ärge kasutage pleegitavaid ega muid pesuaineid. Jalutuskäru riidest osade puhastamiseks vaadake nende etiketil olevaid juhiseid.
- ! Eemaldatavaid pehmeid katteid saab pesta masinaga. Ärge kasutage valgendajat. Ärge märgi istmekatteid ega polstreid tugevasti väänake. Selle tagajärjel võivad need kortsuda.
- ! Kontrollige aeg-ajalt, ega kärul ole kruvid lahti tulnud, mõni osa kulunud või kangas ja õmblused rebenenud. Asendage või parandage kahjustatud osad vastavalt vajadusele. Pühki-ge plastosad aeg-ajalt pehme niiske lapiga üle. Roostetamise vältimiseks kuivatage metallosad alati ära, kui käru on veega kokku puutunud.
- ! Liigne päikesevalguse või kuumade käes viibimine võib käru osi pleegitada või põhjustada nende deformeerumist.
- ! Jalutuskäru märjaks saamisel avage varikate ja laske sel enne käru hoiulepanemist täielikult kuivada.
- ! Kui rattad kriuksuvad, kasutage näiteks silikoonmääret, roostevastast õli või õmblusmasinaõli. Oluline on, et õli kanduks telje ja ratta kokkupuute kohta. 80
- ! Pärast seda, kui olete jalutuskäru kasutanud rannas või muus liivases/tolmuses keskkonnas, puhastage käru korralikult soolast ja liivast, pöörates erilist tähelepanu mehhanismidele ja rattakoostudele.

Onneksi olkoon, olet osa Joie-perhettä! Olemme innoissamme saadessamme olla osa matkaanne pienokaisen kanssa. Kun matkaatte Joie Versatraxilla™, käytätte korkealaatuisia, täysin sertifioituja rattaita, jotka täyttävät Euroopan turvallisuusstandardin EN 1888-2:2018+A1:2022 vaatimukset. Tämä tuote soveltuu lapsille 22 kg:n painoon tai 4-vuotiaaksi saakka, kumpi vain toteutuu ensin. Lue tämä opas huolellisesti ja noudata jokaista vaihetta varmistaaksesi, että lapsesi saa mukavan kyydin ja parhaan mahdollisen suojan.

**TÄRKEÄÄ - LUE HUOLELLISESTI JA SÄILYTÄ TULEVA KÄYTTÖÄ VARTEN.**

Vieraile osoitteessa joiebaby.com ladataksesi käyttöohjeet ja nähdäksesi lisää mielenkiintoisia Joie-tuotteita! Takuutiedoista saat lisätietoa sivuiltamme joiebaby.com

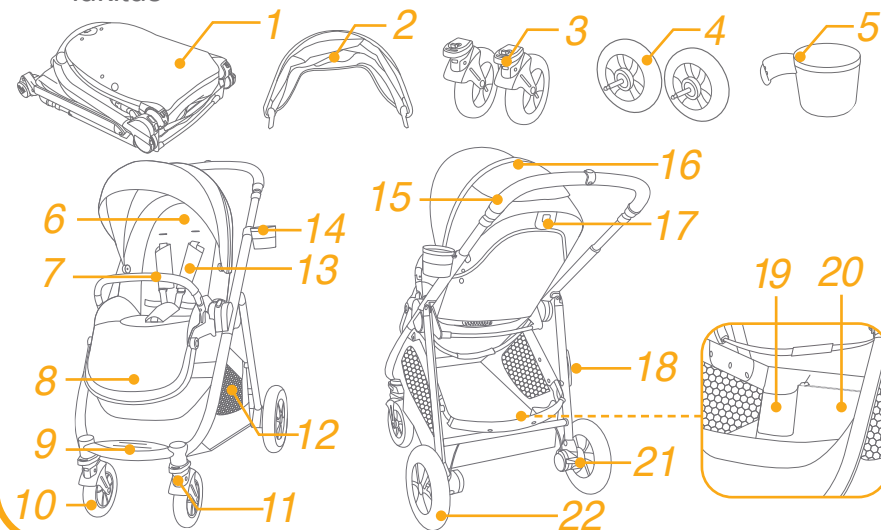
## Hätätilanteet

Hätätilanteissa tai onnettomuuksissa tärkeintä on, että lapsesi saa välittömästi ensiapua ja hoitoa.

## Osaluettelo

Varmista, että kaikki osat löytyvät pakkauksesta ennen kokoamista. Jos jokin osa puuttuu, ota yhteyttä paikalliseen jälleenmyyjään. Kokoamiseen ei vaadita työkaluja.

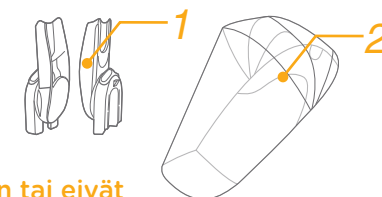
- |                                |                     |
|--------------------------------|---------------------|
| 1. Rattaiden runko             | 12. Säilytyskori    |
| 2. Kuomu                       | 13. Olkavyöt        |
| 3. Etupyörä                    | 14. Mukinpidike     |
| 4. Takapyörä                   | 15. Työntökahva     |
| 5. Mukinpidike                 | 16. Kuomun ikkuna   |
| 6. Istuinpehmusteet            | 17. Kallistuskahva  |
| 7. Poikkitanko                 | 18. Säilytysalpa    |
| 8. Pohjetuki                   | 19. Säilytyspussi A |
| 9. Jalkatuki                   | 20. Säilytyspussi B |
| 10. Etupyörä                   | 21. Jarruvipu       |
| 11. Etupyörien suunnan lukitus | 22. Takapyörä       |



## Lisävarusteet

(Eivät välttämättä sisälly kauppaan)

1. Sovitin
2. Sadesuoja



Lisävarusteet voidaan myydä erikseen tai eivät välttämättä ole saatavilla alueesta riippuen.



## VAROITUS

- ! VAROITUS Älä koskaan jätä lasta vartioimatta.
- ! VAROITUS Varmista, että kaikki lukitukset ovat kiinnittyneet ennen käyttöä.
- ! VAROITUS Loukkaantumisten välttämiseksi varmista, että lapsi pysyy poissa tuotetta avattaessa ja taitettaessa kokoon.
- ! VAROITUS Älä anna lapsen leikkiä tällä tuotteella.
- ! VAROITUS Sopiva enintään 22 kg painaville tai enintään 48 kuukauden ikäisille lapsille.
- ! VAROITUS Käytä aina turvavöitä.
- ! VAROITUS Tarkista, että vaunujen runko tai turvakaukalon kiinnityslaitteet on kiinnitetty oikein ennen käyttöä.
- ! Tämä tuote ei sovellu käytettäväksi juostessa tai rullaluistellessa.
- ! Käytä rattaita alle 22 kg painavan lapsen kanssa. Jos lapsi painaa tätä enemmän, rattaat vahingoittuvat.
- ! Kun tuotetta käytetään vastasyntyneille, on suositeltavaa käyttää tuotetta kallistetuimmassa asennossa.
- ! Käytä seisontajarrua kun laitat lapsen rattaisiin tai nostat lapsen rattaista pois.
- ! Älä aseta säilytyskoriin tavaraa yli 4,5 kilon edestä välttääksesi vaaralliset, rattaiden epävakaudesta johtuvat tilanteet.
- ! Suurin suositeltu mukinpidikkeen kannattelema paino on 0,5kg.
- ! Käytä rattaita vain yhden lapsen kanssa kerrallaan.
- ! Älä kiinnitä esineitä työntökahvaan, istuimen selkänojaan tai rattaiden sivuille. Ylimääräinen kuorma vaikuttaa rattaiden vakauteen ja voi saada rattaat kippaamaan.
- ! Aisaan, selkänojaan ja/tai rattaiden sivuille asetetut taakat vaikuttavat rattaiden vakauteen.
- ! Lisävarusteita, joilla ei ole valmistajan hyväksyntää, ei saa käyttää. Vain valmistajan tarjoamia tai suosittelemia varaosia saa käyttää.

- ! Turvakaukalo käytettynä yhdessä tämän tuotteen rungon kanssa ei korvaa kehtoa tai sänkyä. Jos lapsesi tarvitsee unta, aseta lapsi soveltuvaan vaunukoppaan, pinnasänkyyn tai sänkyyn.
- ! Poista muovipussi ja pakkausmateriaalit ennen tuotteen käyttöä tukehtumisen välttämiseksi. Muovipussi ja pakkausmateriaalit on pidettävä poissa vauvojen ja lasten ulottuvilta.
- ! Kantokoppa sopii vain lapselle, joka ei osaa nousta itse istumaan, kääntyä ympäri eikä nousta kontalleen. Lapsen enimmäispaino: 9 kg.
- ! ÄLÄ käytä tai lisää muita patjoja kuin kantokopan mukana tulevaa.
- ! Vaunujen kokoonpanoon vaaditaan aikuinen.
- ! Lue kaikki käyttöoppaan ohjeet ennen tuotteen käyttämistä. Säilytä käyttöopas myöhempää käyttöä varten. Näiden varoitusten ja ohjeiden huomiotta jättäminen voi johtaa vakavaan loukkaantumiseen tai kuolemaan.
- ! Käytä aina turvavyötä välttääksesi putoamisesta tai liukumisesta aiheutuvat vakavat vammat.
- ! Varmista, että lapsesi keho ei ole liikkuvien osien edessä säätääksesi rattaita.
- ! Älä käytä rattaita portaissa tai liukuportaissa.
- ! Pidä kaukana kuumista esineistä, nesteistä ja elektroniikasta.
- ! Älä koskaan aseta rattaita tielle, rinteeseen tai vaaralliselle alueelle.
- ! Välttääksesi kuristumisen, ÄLÄ laita esineitä lapsesi kaulan ympärille narussa, kiinnitä naruja tähän tuotteeseen tai kiinnitä naruja leluihin.
- ! ÄLÄ käytä säilytyskoria lapsen kuljetukseen.
- ! Ole varovainen taittaessasi rattaita kokoon ja avatessasi rattaita välttääksesi sormien juuttumisen puristuksiin.
- ! Lapsen turvallisuuden varmistamiseksi varmista, että kaikki osat on asennettu ja kiinnitetty kunnolla ennen rattaiden käyttöä.

- ! Kuristumisen välttämiseksi varmista, että lapsesi ei ylety kuomuun.
- ! Käytä aina jarruja pysäköidessäsi rattaat.
- ! Älä jatka rattaiden käyttöä, jos ne ovat vaurioituneet tai rikki.
- ! Palovammojen välttämiseksi älä koskaan laita kuumia nesteitä mukinpidikkeeseen.
- ! Tämä tuote soveltuu lapsille 22 kg:n painoon tai 4-vuotiaaksi saakka, kumpi vain toteutuu ensin.

## Rattaiden kokoaminen

(Katso kuvat sivuilla 1–15)

Lue kaikki tämän käyttöoppaan ohjeet ennen tämän tuotteen kokoamista ja käyttämistä.

## Rattaiden avaaminen

Katso kuvat ① - ③

Erot säilytyssalpa säilytyskiinnikkeestä ① ja nosta kahva ylöspäin ②, napsahdus tarkoittaa, että lastenvaunut ovat kokonaan auki.

! Tarkista, että rattaat ovat täysin lukittuneet ennen käytön jatkamista.

! Älä paina pohjetukea selkänöjää avatessasi. ③ - 1 Jos kuitenkin teet sen, viittaa kuvaan ④ taittaaksesi selkänöjan kasaan ja avataksesi sen uudelleen.

## Etupyörän asennus & irrotus

Katso kuvat ④ - ⑤

## Takapyörän asennus & irrotus

Katso kuvat ⑥ - ⑦

## Kuomun asennus

Katso kuvat ⑧ - ⑩

## Mukinpidikkeen asennus & irrotus

Katso kuvat ⑪ - ⑫

Täysin kootut rattaat näkyvät kuvassa. ⑬

## Rattaiden käyttö

### Selkänojan säätö

Katso kuvat 14 - 15

Selkänojalle on 4 kallistuskulmaa.

Selkänojan nosto

Nosta selkänojaa kääntämällä istuimen takana olevaa kallistuskahvaa ja vetämällä selkänojaa ylöspäin. 14

Selkänojan kallistus

Kallista selkänojaa kääntämällä istuimen takana olevaa kallistuskahvaa ja vetämällä selkänojaa alaspäin. 15

! Älä paina vapautuspainiketta 14 - 3 & 15 - 3 kallistuskahvan keskiosassa kallistuskulmaa säätäessäsi.

! Varmista, että kallistus on oikea käyttöä varten.

### Soljen käyttö

Katso kuvat 16 - 17

Soljen vapautus

Paina keskimmäistä painiketta vapauttaaksesi soljen. 16

Soljen lukitus

Yhdistä vyötärövyön solki olkavöiden solkiin 17 - 1, ja napsauta keskisolkeen. 17 - 2 "Klik"-ääni tarkoittaa, että solki on lukittunut kokonaan. 17 - 3

! Käytä aina turvavyötä välttääksesi putoamisesta tai liukumisesta aiheutuvat vakavat vammat.

! Varmista, että lapsesi on tiukasti paikallaan. Lapsen ja olkavyön väliin jäävä tila on noin käden paksuus.

! Älä laita olkavöitä ristiin. Tämä aiheuttaa painetta lapsen niskaan.

## Olka- & vyötärövöiden käyttö

Katso kuvat 18 - 23

! Suojellaksesi lasta putoamiselta, tarkista että olka- ja vyötärövyöt ovat oikealla korkeudella ja oikean pituisia asetettuasi lapsen istuimeen.

18 - 1 Olkavyön kiinnitin A

18 - 2 Olkavyön kiinnitin B

18 - 3 Liukusäädin

Suurempien lasten tulee käyttää hartiavaljaiden kiinnityspistettä A ja korkeimpia hartiapaikkoja. Pienempien lasten tulee käyttää hartiavaljaiden kiinnityspistettä B ja matalimpia hartiapaikkoja.

Olkavöiden ankkurin asennon säätämiseksi, käännä kiinnitystä samaan tasoon eteenpäin osoittavan puolen kanssa. Pujota olkavöiden kolon läpi takaa eteenpäin. 21

Pujota takaisin kolosta, joka on lähimpänä lapsen olkapään korkeutta. 22

Käytä liukusäädintä valjaiden pituuden säätämiseksi. 23 - 1

Paina painiketta 23 - 2 vetäessäsi vyötärövaljaat sopivan pituisiksi. 23 - 3

### Poikkitangon käyttö

Katso kuvat 24 - 26

### Pohjetuen säätö

Katso kuvat 27 - 28

Pohjetuella on 2 asentoa.

Laske pohjetukea painamalla pohjetuen kummallakin puolella sijaitsevia säätöpainikkeita 27 - 1 ja käännä pohjetukea alaspäin. 27 - 2

Nosta pohjetukea työntämällä sitä ylöspäin. "Klik"-ääni tarkoittaa, että pohjetuki on täysin lukittunut paikalleen.

## Etupyörien suunnan lukituksen käyttö

Katso kuvat 29

Työnnä etupyörien lukkoja ylöspäin lukitaksesi kulkusuunnan.

29

**Vinkki** Etupyörien suunnan lukitusta suositellaan käytettäväksi epätasaisilla pinnoilla.

## Jarrun käyttö

Katso kuvat 30 - 31

Paina jarruvipu alas jalalla lukitaksesi pyörät. 30

Nosta jarruvipu ylös vapauttaaksesi pyörät. 31

**Vinkki** Käytä aina seisontajarrua, kun rattaat ovat paikallaan.

## Kuomun käyttö

Katso kuvat 32 - 34

Kuomu voidaan avata kokonaan suojamaan lastasi täysin auringolta. Avaa vain vetoketju 33 ja vedä sitten kuomua eteenpäin

## Kahvan säätö

Katso kuvat 35

## Istuimen vaihto

Katso kuvat 36 - 39

## Säilytyskorin käyttö

Katso kuvat 40

Säilytuspussien A ja B maksimikuorma on 0,45 kg.

## Rattaiden kokoon taitto

Katso kuvat 41 - 49

! Kallistuskahvan keskellä sijaitsevaa painiketta käytetään istuimen kokoon taittamiseen. 42 - 1

! Lastenvaunut pysyvät pystyssä, kun kahva on korkeimmassa asennossa. 46

! Säilytysalpa kiinnittyy automaattisesti koukulla säilytyskiinnikkeeseen, lastenvaunut on tällöin taiteltu ja lukittu kokonaan. 46 49

## Lisävarusteiden käyttö

Lisävarusteet voidaan myydä erikseen tai eivät välttämättä ole saatavilla alueesta riippuen.

## Käyttö turvakaukalon kanssa

Katso kuvat 50 - 55

Kun käytät Joie i-Snug 2 & i-Gemm 3 & i-Level Recline & i-Jemini & Gemm-turvakaukaloa, noudata seuraavia ohjeita.

! "Klik"-ääni tarkoittaa, että sovitin on lukittunut kokonaan.

! Jos sinulla on ongelmia turvakaukalon käyttämisessä, tutustu kaukalon omaan käyttöoppaaseen.

! Älä taita rattaita turvakaukalon ollessa yhä paikoillaan.

## Kantokopan käyttö Ramble, Ramble XL

Katso kuvat 56 - 59

Kun käytät Joie ramble, ramble xl -kantokoppaa, noudata seuraavia ohjeita.

! "Klik"-ääni tarkoittaa, että sovitin on lukittunut kokonaan.

! Käytä aina patjaa, kun käytät kantokoppaa.

! Jos sinulla on ongelmia kantokopan käyttämisessä, tutustu sen omaan käyttöoppaaseen.

! Älä taita rattaita kantokopan ollessa yhä paikoillaan.

## Kantokopan käyttö

**katso kuvat 60 - 63**

Kun käytät Joie calmi -autovuoteen kanssa, katso seuraavat ohjeet.

! Naksahdus tarkoittaa, että sovitin on täysin lukittu.

! Käytä aina patjaa autovuodetta käytettäessä.

! Tarkista, että autovuoteen pohjassa oleva verkko on kiinnitetty oikein ennen autovuoteen asentamista.

! Jos autovuoteen käytössä ilmenee ongelmia, katso tiedot tuotteiden omista käyttöoppaista.

! Älä taita lastenvaunuja, kun autovuode on kiinnitettynä niihin.

## Sadesuojan käyttö

**Katso kuvat 64**

Kiinnitä sadesuoja asettamalla se istuimen ylle.

! Kun käytät sadesuojaa, tarkista aina sen ilmanvaihtoaukot.

! Kun suoja ei ole käytössä, varmista, että suoja on puhdistettu ja kuivattu ennen kokoon taittoa.

! Älä taita rattaita asetettuasi sadesuojan.

! Älä laita lasta sadesuojalla peitettyihin rattaisiin kuumalla säällä.

## Pehmeiden osien irrottaminen & kiinnittäminen

**Katso kuvat 65 - 79**

Poista poikkitanko kuvan 26 mukaisesti

Kiinnittääksesi uudelleen istuimen pehmeät osat, noudata yllä kuvattuja vaiheita käänteisessä järjestyksessä. 79 - 65

## Puhdistus ja huolto

**Katso kuvat 80**

! Käytä rattaiden rungon puhdistukseen vain tavallista saippuaa ja lämmintä vettä. Ei valkaisuainetta tai pesuainetta. Tutustu rattaiden kangasosien pesuohjeeseen osien puhdistamiseksi.

! Irrotettavat pehmeät osat voidaan pestä pesukoneessa. Ei valkaisuainetta. Älä väännä istuimen suojaa tai sisäpehmusteita kuiviksi. Se voi jättää istuimen suojaan ja sisäpehmustisiin ryppyjä.

! Tarkista rattaat aika ajoin löysien ruuvien, kuluneiden osien sekä repeytyneiden materiaalien tai saumojen varalta. Korvaa tai korjaa osat tarvittaessa. Pyyhi muoviosat säännöllisesti puhtaaksi pehmeällä, kostealla kankaalla. Kuivaa metalliosat ruosteen muodostumisen estämiseksi aina, jos rattaat ovat joutuneet kosketuksiin veden kanssa.

! Liiallinen altistuminen auringolle tai lämmölle voi aiheuttaa osien haalistumista tai vääntymistä.

! Jos rattaat kastuvat, avaa kuomu ja anna kuivua kokonaan ennen varastointia.

! Jos pyörät narisevat, käytä kevytöljyä (esimerkiksi silikonisuihketta, ruosteenestoöljyä tai ompelukoneen öljyä). Öljyn on tärkeää päästä akseliin ja pyörään. 80

! Käytettyäsi rattaita rannalla tai muussa hiekkaisessa tai pölyisessä ympäristössä, puhdista rattaat täysin käytön jälkeen poistaaksesi hiekan ja suolan mekanismeista ja pyöristä.

## LT Sveiki atvykę į Joie™

Sveikiname tapus „Joie“ šeimos dalimi! Mes labai džiugiamės galėdami būti jūsų ir jūsų mažylio kelionės dalimi. Keliaudami su „Joie Versatrax™“ naudojotės aukštos kokybės, sertifikuotu vežimėliu, atitinkančiu Europos saugumo standartą EN 1888-2:2018+A1:2022. Šis gaminytinka vaikams iki 22 kg svorio arba 4 metų amžiaus, atsižvelgiant į tai, kas įvyksta pirmiau. Prašome atidžiai perskaityti šį naudojimo vadovą ir vadovautis kiekvienu žingsniu, kad užtikrintumėte patogią kelionę bei savo vaiko saugumą.

**SVARBU - VADOVĄ ATIDŽIAI PERSKAITYKITE IR IŠSAUGOKITE VĒLESNIAM SKAITYMIUI.**

Aplankykite mus adresu [joiebaby.com](http://joiebaby.com) ir atsisiųskite naudotojo vadovus bei pamatykite daugiau puikių „Joie“ prekių

Dėl informacijos apie garantiją, prašome apsilankyti mūsų tinklapyje [joiebaby.com](http://joiebaby.com)

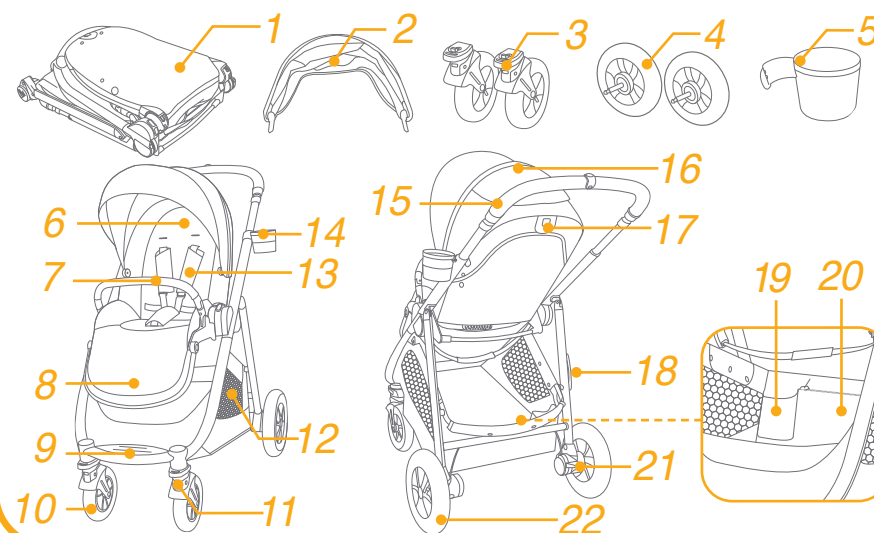
## Nenumatyti atvejai

Nelaimingo įvykio ar avarijos atveju svarbiausia, kad jūsų vaikui būtų iš karto suteikta pirmoji pagalba ir gydymas.

## Dalių sąrašas

Prieš surinkdami vežimėlį, įsitikinkite, kad yra visos dalys. Jei trūksta kokios nors dalies, susisiekiite su vietiniu tiekėju. Vežimėlio montavimui įrankiai nereikalingi.

- |                       |                            |
|-----------------------|----------------------------|
| 1. Vežimėlio rėmas    | 12. Daiktų laikymo krepšys |
| 2. Gaubtas            | 13. Pečių diržai           |
| 3. Priekinis ratas    | 14. Puodelio laikiklis     |
| 4. Galinis ratas      | 15. Rankena                |
| 5. Puodelio laikiklis | 16. Gaubto langelis        |
| 6. Sėdynės pagalvėlė  | 17. Nuleidimo rankena      |
| 7. Turėklas           | 18. Fiksavimo sklėtis      |
| 8. Blauzdų atrama     | 19. Daiktų krepšys A       |
| 9. Kojų atrama        | 20. Daiktų krepšys B       |
| 10. Priekinis ratas   | 21. Stabdžių svirtis       |
| 11. Rato užraktas     | 22. Galinis ratas          |

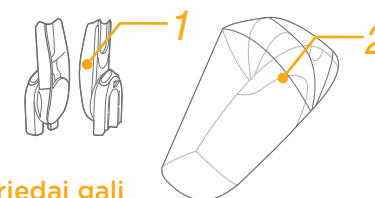


## Priedai

(gali būti neįtraukti į pirkinio komplektą)

1. Adapteris
2. Apsauga nuo lietaus

Priklausomai nuo pirkimo vietovės, priedai gali būti parduodami atskirai arba netiekiami



## ĮSPĖJIMAS

- ! ĮSPĖJIMAS Niekada nepalikite savo vaiko be priežiūros.
- ! ĮSPĖJIMAS Prieš naudojimą įsitikinkite, ar visi susegimai užfiksuoti.
- ! ĮSPĖJIMAS Siekdami išvengti sužalojimų, vežimėlį išlankstykite bei sulankstykite atokiau nuo savo vaiko.
- ! ĮSPĖJIMAS neleiskite savo vaikui žaisti su šia preke.
- ! ĮSPĖJIMAS Tinka vaikams iki 22 kg svorio arba iki 48 mėnesių amžiaus.
- ! ĮSPĖJIMAS Visada naudokite tvirtinimo sistemą.
- ! ĮSPĖJIMAS prieš naudojant patikrinkite, ar vaikiško vežimėlio lopšio ir automobilinės kėdutės įtaisai yra tinkamai pritvirtinti.
- ! Ši prekė netinkama naudoti bėgiojant ar čiuožinėjant.
- ! Naudokite vežimėlį vaikui, sveriančiam mažiau nei 22 kg. Vežimėlis bus sugadintas, jei vaikas bus per sunkus.
- ! Vežimėlis sukurtas naudojimui nuo pat gimimo. Naujagimius rekomenduojama vežti maksimaliai atlenkus atlošą.
- ! Įkeliant bei iškeliant vaikus privaloma įjungti stovėjimo įtaisą.
- ! Siekdami išvengti pavojaus, nestabilumo, į daiktų laikymo krepšį nedėkite daugiau nei 4,5 kg.
- ! Puodelio laikiklio rekomenduojamas svoris yra 1lbs (0,5 kg).
- ! Naudokite vežimėlį tik vienam vaikui vienu metu.
- ! Netvirtinkite daiktų prie rankenos, sėdynės atlošo ar vežimėlio šonų. Bet koks papildomas svoris turės įtakos vežimėlio stabilumui ir gali jį apversti.
- ! Bet koks daiktas, pritvirtintas prie rankenos ir / ar nugaros atlošo ir / ar vežimėlio šonuose, darys įtaką vežimėlio stabilumui.
- ! Gamintojo nepatvirtinti vežimėlio priedai negali būti naudojami. Naudokite tik gamintojo rekomenduojamas ar tiekiamas atsargines dalis.

- ! Vaikiško vežimėlio lopšiams, naudojamiems kartu su važiuokle, ši transporto priemonė nepakeičia lopšio ar lovelės. Jei jūsų vaikui reikia miegoti, jis turėtų būti perkeltas į tam skirtą vežimėlį, lopšį ar lovebę.
- ! Siekiant išvengti uždusimo, prieš naudodami šią prekę pašalinkite plastikinį maišelį ir pakavimo medžiagas. Plastikinis maišelis ir pakavimo medžiagos turi būti laikomos atokiau nuo kūdikių ir vaikų.
- ! Lopšyje galima nešioti vaikus, kurie negali patys atsisėsti, pasisukti šonu ar savarankiškai vaikščioti rankų ir kelių pagalba. Maksimalus vaiko svoris: 9 kg.
- ! **NEGALIMA** naudoti ar pridėti jokių kitų čiuožinių, išskyrus tuos, kurie tiekiami su nešiojamuoju lopšiu.
- ! Sumontuoti suaugusiam.
- ! Prieš naudodami prekę, perskaitykite visas naudojimo vadovo instrukcijas. Prašome išsaugoti naudojimo vadovą ateičiai. Šių įspėjimų ir instrukcijų nesilaikymas gali sukelti rimtus sužalojimus arba mirtį.
- ! Siekdami išvengti rimtų sužalojimų iškrentant arba iščiuožiant žemyn, visada naudokite saugos diržą.
- ! Įsitikinkite, kad jūsų vaiko kūnas nesiliečia prie judančių dalių, kai reguliuojate vežimėlį.
- ! Nenaudokite vežimėlio ant laiptų ar eskalatorių.
- ! Laikykite atokiau nuo aukštos temperatūros objektų, skysčių ir elektronikos.
- ! Niekada nepalikite vežimėlio netoli kelio, skardžio ar kitų pavojingų vietų.
- ! Siekdami išvengti smaugimo, ant vaiko kaklo **NEMAUKITE** daiktų su virvele, neriškite virvelių prie vežimėlio ar žaislų.
- ! **NENEŠKITE** vaiko daiktų laikymo krepšyje.
- ! Kad išvengtumėte pirštų prispaudimo, būkite atsargūs sulankstydami ir išlankstydami vežimėlį.
- ! Siekdami užtikrinti savo vaiko saugumą, prieš naudodami vežimėlį, įsitikinkite, kad visos dalys yra tinkamai sumontuotos ir pritvirtintos.

- ! Siekdami išvengti smaugimo, įsitikinkite, kad jūsų vaikas yra saugiu atstumu nuo gaubto.
- ! Visada įjunkite stabdžius, kai statote vežimėlį.
- ! Nebenaudokite vežimėlio jei jis pažeistas ar sulūžęs.
- ! Norėdami išvengti nudegimų, nedėkite karštų skysčių į puodelio laikiklį.
- ! Šis gaminys tinka vaikams iki 22 kg svorio arba 4 metų amžiaus, atsižvelgiant į tai, kas įvyksta pirmiau.

## Vežimėlio surinkimas

(Prašome žiūrėti į paveikslėlius 1-15 puslapiuose)

Prašome perskaityti visas naudojimo vadovo instrukcijas prieš surenkant ir naudojant prekę.

## Vežimėlio išlankstymas

Žiūrėti paveikslėlius ① - ③

Atlenkite fiksavimo skląstį ①, tada pasukite rankeną ② aukštyn – pasigirdęs spragtelėjimas reikš, kad vežimėlis yra visiškai paruoštas išskleisti.

! Įsitikinkite, kad vežimėlis visiškai išskleistas prieš pradėdant jį naudoti.

! Išlankstydami atlošą neaktyvuokite blauzdų atramos. ③ - 1  
Jei blauzdų atramą aktyvavote, remkitės ④ paveikslėliu, sulankstykite atlošą ir išlankstykite dar kartą.

## Priekinio rato surinkimas ir nuėmimas

Žiūrėti paveikslėlius ④ - ⑤

## Galinio rato surinkimas ir nuėmimas

Žiūrėti paveikslėlius ⑥ - ⑦

## Gaubto surinkimas

Žiūrėti paveikslėlius ⑧ - ⑩

## Puodelio laikiklio surinkimas ir nuėmimas

Žiūrėti paveikslėlius ⑪ - ⑫

Pilnai sumontuotas vežimėlis pavaizduotas ⑬ paveikslėlyje.



## Vežimėlio naudojimas

### Atlošo reguliavimas

Žiūrėti paveikslėlius 14 - 15

Atlošas turi 4 statumo pozicijas.

Pakelkite atlošą

Norėdami pakelti atlošą, pasukite nuleidimo rankeną, esančią sėdynės gale ir patempkite atlošą aukštyn. 14

Atlenkite atlošą

Norėdami atlenkti atlošą, pasukite nuleidimo rankeną, esančią sėdynės gale ir patempkite atlošą žemyn. 15

! Reguluojant atlošą prašome nespausti paleidimo mygtuko 14 - 3 & 15 - 3, esančio nuleidimo rankenos viduryje.

! Įsitikinkite, kad atlošas yra tinkamai nustatytas naudojimui.

### Sagties naudojimas

Žiūrėti paveikslėlius 16 - 17

Atlaisvinti sagtį

Paspauskite centrinį mygtuką norėdami atlaisvinti sagtį. 16

Sagties užsegimas

Sujunkite juosmens diržo sagtį su peties sagtimi 17 - 1, ir įsekite į centrinę sagtį. 17 - 2 Spragtelėjimas reiškia, kad sagtis užsifiksavo. 17 - 3

! Siekiant išvengti rimtų sužalojimų krentant arba išslystant, visada pritvirtinkite savo vaiką apsaugos diržais.

! Įsitikinkite, kad jūsų vaikas yra prisegtas tvirtai. Tarpas tarp vaiko ir peties diržo apsaugos yra maždaug vienos plaštakos pločio.

! Nekryžiuokite pečių diržų. Tai sukels spaudimą vaiko kaklui.

## Pečių ir juosmens diržų naudojimas

Žiūrėti paveikslėlius 18 - 23

! Kad apsaugotumėte savo vaiką nuo iškritimo, kai vaikas jau yra paguldytas, patikrinkite ar pečių ir juosmens diržai yra tinkamame aukštyje ir tinkamo ilgio.

18 - 1 Pečių diržo jungtis A

18 - 2 Pečių diržo jungtis B

18 - 3 Diržo regulatorius

Didesniam vaikui naudokite perpetinių diržų fiksatorių A ir aukščiausiai esančias angas perpetiniams diržams.

Mažesniam vaikui naudokite perpetinių diržų fiksatorių B ir žemiausiai esančias angas perpetiniams diržams.

Norėdami keisti pečių diržo jungties poziciją, sulyginkite diržo jungtį su priekine diržo dalimi. Diržą perkiškite pro galinę pečių diržo padalą ir ištraukite į priekį. 21

Diržą dar kartą perkiškite per artimiausią padalą esančią vaiko pečių aukštyje. 22

Naudokite regulatorių norėdami pakeisti diržo ilgį. 23 - 1

Paspauskite mygtuką 23 - 2, traukdami juosmens diržą tinkamam ilgiui nustatyti. 23 - 3

### Turėklo naudojimas

Žiūrėti paveikslėlius 24 - 26

### Blauzdų atramos reguliavimas

Žiūrėti paveikslėlius 27 - 28

Blauzdų atrama turi 2 padėtis.

Norėdami nuleisti blauzdų atramą, paspauskite nustatymo mygtukus abiejose blauzdų atramos pusėse 27 - 1 ir sukite blauzdos atramą į apačią. 27 - 2

Norėdami pakelti blauzdų atramą, kelkite ją į viršų. Spragtelėjimas reiškia, kad blauzdų atrama užsifiksavo.

## Priekinio rato užrakto naudojimas

Žiūrėti paveikslėlius 29

Kilstelėkite priekinio rato užraktus norėdami išlaikyti judėjimo kryptį. 29

**Patarimas** rekomenduojama naudoti rato užraktus ant nelygių paviršių.

## Stabdžio naudojimas

Žiūrėti paveikslėlius 30 - 31

Norėdami užrakinti ratus, koja nuspauskite stabdžių svirtį žemyn. 30

Norėdami atrakinti ratus, koja pakelkite stabdžių svirtį aukštin.

31

**Patarimas** visada įjunkite stovėjimo stabdį kai vežimėlis nejuda.

## Gaubto naudojimas

Žiūrėti paveikslėlius 32 - 34

Norėdami savo vaiką apsaugoti nuo saulės, gaubtą galite pilnai ištempti. Atsekite užtrauktuką 33 ir traukite gaubtą į priekį.

## Rankenos reguliavimas

Žiūrėti paveikslėlius 35

## Sėdynės pakeitimas

Žiūrėti paveikslėlius 36 - 39

## Daiktų krepšio naudojimas

Žiūrėti paveikslėlius 40

Maksimalus daiktų krepšio A ir B svoris yra 0,45 kg.

## Vežimėlio sulankstymas

Žiūrėti paveikslėlius 41 - 49

! Mygtukas nuleidimo rankenos viduryje skirtas sėdynei sulankstyti. 42 - 1

! Vaikiškas vežimėlis gali stovėti, kai rankena yra aukščiausioje padėtyje. 46

! Fiksavimo skląstis automatiškai užsikabins už fiksavimo laikiklio, tuomet vežimėlis bus sudėtas ir visiškai užfiksuotas. 46  
49

## Priedų naudojimas

Priklausomai nuo pirkimo vietovės, priedai gali būti parduodami atskirai arba netiekiami.

## Automobilinės kėdutės naudojimas

Žiūrėti paveikslėlius 50 - 55

Naudodami „Joie“ automobilinę kėdutę i-Snug 2 & i-Gemm 3 & i-Level Recline & i-Jemini & Gemm, prašome atsižvelgti į pateiktas naudojimo instrukcijas.

! Spragtelėjimas reiškia, kad adapteris užsifiksavo.

! Jei kyla problemų naudojantis automobiline kėdute, prašome vadovautis automobiline kėdučių instrukcijomis.

! Prašome nelankstyti vežimėlio su pritvirtinta automobiline kėdute.

## Nešiojamojo lopšio naudojimas Ramble, Ramble XL

Žiūrėti paveikslėlius 56 - 59

Naudodami „Joie ramble, ramble XL“ nešiojamąjį lopšį, atsižvelkite į šias instrukcijas.

! Spragtelėjimas reiškia, kad adapteris užsifiksavo.

! Nešiojamąjį lopšį visada naudokite kartu su čiužiniu.

! Jei kyla problemų naudojant nešiojamąjį lopšį, prašome vadovautis nešiojamųjų lopšių instrukcijomis.

! Prašome nelankstyti vežimėlio su pritvirtintu nešiojamuoju lopšiu.

## Nešiojamojo lopšio naudojimas

žr. pav 60 - 63

Quando si utilizza con il lettino per auto Joie calmi, consultare le seguenti istruzioni.

! Quando si sente il “clic” significa che l’adattatore è completamente bloccato.

! Quando si usa il lettino per auto, usare sempre anche il materassino.

! Controllare che la rete nella parte inferiore del lettino per auto sia fissata correttamente prima di installare il lettino per auto.

! In caso di problemi con l’uso del lettino per auto, fare riferimento ai relativi manuali di istruzioni.

! Non piegare il passeggino quando è ancora agganciato il lettino per auto.

## Apsaugos nuo lietaus naudojimas

Žiūrėti paveikslėlius 64

Norėdami pritvirtinti apsaugą nuo lietaus, uždėkite ją ant sėdynės.

! Naudodami apsaugą nuo lietaus, visada patikrinkite ventilaciją.

! Prieš sulankstydami apsaugą nuo lietaus, įsitikinkite ar ji sausa ir švari.

! Nelankstykite vežimėlio su pritvirtinta apsauga nuo lietaus.

! Neguldykite savo vaiko į vežimėlį su apsauga nuo lietaus karšto oro metu.

## Paminkštavimo įdėjimas ir išėmimas

Žiūrėti paveikslėlius 65 - 79

Nuimkite turėklą kaip parodyta 26 paveikslėlyje

Norėdami iš naujo įdėti sėdynės paminkštumą, atlikite prieš tai minėtus 79 - 65 žingsnius atgaline seka

## Valymas ir priežiūra

Žiūrėti paveikslėlius 80

! Norėdami nuvalyti vežimėlio rėmą, naudokite tik namų ūkiui skirtą muilą ir šiltą vandenį. Valant nenaudokite baliklio ar skalbiklio. Norėdami valyti vežimėlio medžiagines dalis, naudokite instrukcija ant vežimėlio priežiūros etiketės.

! Išimami paminkštiniai gali būti plaunami skalbimo mašinoje. Skalbiančios nenaudokite baliklio. Kėdutės gaubto ir vidinio pamušalo negręžkite rankomis. Taip gali atsirasti raukšlės ant sėdynės gaubto ir vidinio pamušalo.

! Retkarčiais patikrinkite ar vežimėlyje nėra atsisukusių varžtų, susidėvėjusių dalių, suplyšusių medžiagų ar ištrūkusių siūlių. Pakeiskite arba sutaisykite reikiamas dalis. Periodiškai nuvalykite plastikines dalis su minkštu drėgnu skudurėliu. Jeigu ant vežimėlio pateko vandens, norėdami išvengti rūdžių, visada išdžiovinkite metalines vežimėlio dalis.

! Per didelis buvimas saulėje ar karštis gali išblukinti dalis arba jas deformuoti.

! Vežimėliui sušlapus, atidarykite gobtuvą ir prieš padėdami į vietą, leiskite vežimėliui gerai išdžiūti.

! Jei ratai girgžda, naudokite skystą tepalą (pvz., silikoninį tepalą, tepalą nuo rūdžių arba alyvą, skirtą siuvimo mašinoms). Svarbu, kad tepalas patektų tarp ašies ir rato. 80

! Jei naudojate vežimėlį paplūdimyje ar kitoje smėlėtoje / dulkėtoje aplinkoje, po to visuomet gerai jį išvalykite ir pašalinkite smėlį bei druską iš mechanizmų bei ratų.

## LV Laipni lūdzam Joie™

Mēs jūs apsveicam ar pievienošanos Joie ģimenei! Mēs esam priecīgi, ka varam piedalīties ceļojumā ar jūsu mazuli. Ceļojot kopā ar Joie Versatrax™, jūs lietosiet augstas kvalitātes, pilnībā sertificētus bērnu ratiņus, kas atbilst Eiropas drošības standartam EN 1888-2:2018+A1:2022. Šis izstrādājums ir piemērots bērniem līdz 22 kg vai 4 gadu vecumam (atkarībā no tā, kurš no lielumiem ir pirmais). Lūdzu, izlasiet šo instrukciju un ievērojiet katru norādīto soli, kas nodrošinās komfortablu braukšanu un vislabāko jūsu bērna aizsardzību. **SVARĪGI - RŪPĪGI IZLASIET UN SAGLABĀJIET VĒLĀKAI LIETOŠANAI.**

Lai lejupielādētu instrukcijas un iepazītos ar citiem aizraujošiem Joie produktiem, apmeklējiet mūsu vietni [joiebaby.com](http://joiebaby.com)!

Garantijas informācija ir pieejama mūsu vietnē [joiebaby.com](http://joiebaby.com)

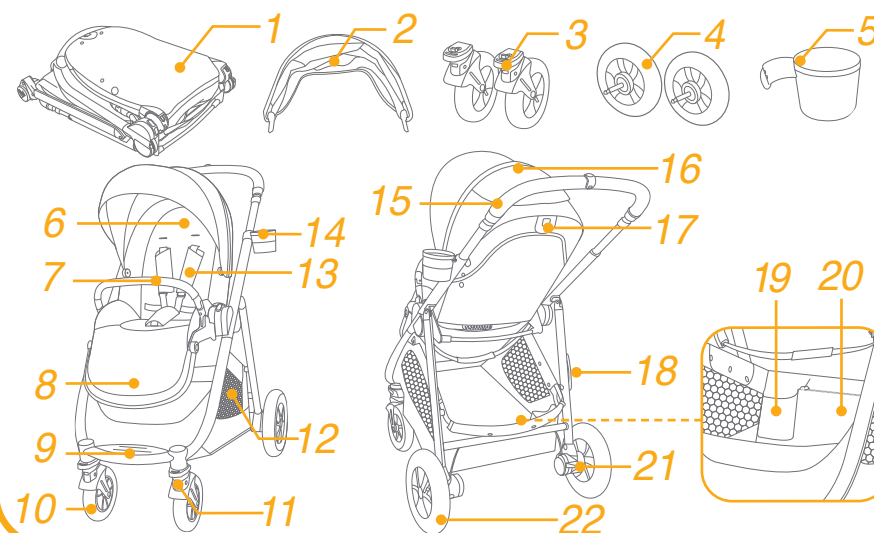
## Ārkārtas situācija

Ārkārtas situācijā vai negadījumā vissvarīgākais ir tas, lai jūsu bērns nekavējoties saņemtu pirmo palīdzību un medicīnisko aprūpi.

## Detalju saraksts

Pirms salikšanas pārlicinieties, ka ir pieejamas visas detaļas. Ja kādas detaļas trūkst, sazinieties ar vietējo mazumtirgotāju. Salikšanai instrumenti nav vajadzīgi.

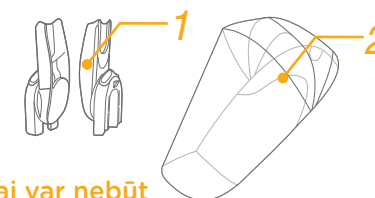
- |                         |                                  |
|-------------------------|----------------------------------|
| 1. Ratiņu rāmis         | 12. Mantu grozs                  |
| 2. Jumts                | 13. Plecu siksnas                |
| 3. Priekšējais ritenis  | 14. Glāžu turētājs               |
| 4. Aizmugurējie riteņi  | 15. Rokturis                     |
| 5. Glāžu turētājs       | 16. Pārsega logs                 |
| 6. Sēdekļa paliktnis    | 17. Slīpuma regulēšanas rokturis |
| 7. Roku balsts          | 18. Uzglabāšanas fiksators       |
| 8. Kāju ikrū balsts     | 19. Uzglabāšanas soma A          |
| 9. Kāju balsts          | 20. Uzglabāšanas soma B          |
| 10. Priekšējais ritenis | 21. Bremžu svira                 |
| 11. Kustīgais fiksators | 22. Aizmugurējie riteņi          |



## Piederumi

(var nebūt iekļauti)

1. Adapteris
2. Lietus pārsegs



Piederumi var tikt pārdoti atsevišķi vai var nebūt pieejami atsevišķos reģionos.

## BRĪDINĀJUMS

- ! BRĪDINĀJUMS Nekad neatstājiet bērnu bez uzraudzības.
- ! BRĪDINĀJUMS Pārliedzieties, ka pirms lietošanas visas fiksēšanas ierīces ir aktivizētas.
- ! BRĪDINĀJUMS Lai izvairītos no ievainojumiem, pārliedzieties, ka šī produkta salikšanas un atvēršanas laikā jūsu bērns neatrodas ratiņu tuvumā.
- ! BRĪDINĀJUMS Neļaujiet savam bērnam spēlēties ar šo produktu.
- ! BRĪDINĀJUMS Piemērots bērniem līdz 22 kg un 48 mēnešiem.
- ! BRĪDINĀJUMS Vienmēr lietojiet ierobežotājsistēmu.
- ! BRĪDINĀJUMS Pirms lietošanas pārliedzieties, ka ratu kulba vai ierobežotājsistēmas stiprinājumi ir pareizi nofiksēti.
- ! Produkts nav paredzēts skriešanai vai slidošanai.
- ! Ratiņi ir paredzēti bērnam, kura svars ir mazāks par 22 kg. Ja ratiņus lietosiet smagākam bērnam, var rasties ratiņu bojājumi.
- ! Saliekamie ratiņi ir paredzēti lietošanai jau no bērna dzimšanas, jaundzimušiem bērniem tos ieteicams lietot pēc iespējas vairāk atgāztā stāvoklī.
- ! Veicot bērna ielikšanu un izņemšanu no ratiņiem, jāaktivizē bremzes.
- ! Lai nepieļautu bīstamu un nestabilu stāvokli, mantu grozā neievietojiet svaru, kas lielāks par 4,5 kg.
- ! Maksimālais ieteicamais svars glāžu turētājā ir 1 lbs (0,5 kg).
- ! Ratiņos vienlaikus pārvadājiet tikai vienu bērnu.
- ! Nepievienojiet neko pie ratiņu roktura, atzveltnes vai sāniem. Jebkura papildu slodze ietekmēs ratiņu stabilitāti un var izraisīt ratiņu apgāšanos.
- ! Jebkurš svars, kas piestiprināts pie roktura un/vai aiz atzveltnes, un/vai ratu sāniem, ietekmē ratiņu stabilitāti.

- ! Nedrīkst izmantot aksesuārus, kurus nav apstiprinājis ražotājs. Izmantojiet tikai tās rezerves daļas, kuras nodrošina vai iesaka ražotājs.
- ! Izmantojot ratiņu šasiju kopā ar zīdaiņu ierobežotājsistēmu, atcerieties, ka tie neaizstāj bērna kulbu vai gultiņu. Gulēšanas laikā bērns ir jānovieto piemērotos bērnu ratiņos vai gultiņā.
- ! Lai izvairītos no nosmakšanas, pirms produkta lietošanas noņemiet plastmasas maisu un iepakojuma materiālus. Plastmasas maiss un iepakojuma materiāli jātur zīdaiņiem un bērniem nepieejamā vietā.
- ! Pārnēsājamā kulba ir piemērota bērnam, kurš nevar pats apsēsties vai apvelties un nevar sevi pacelt ar rokām un ceļgaliem. Maksimālais bērna svars: 9 kg.
- ! NELIETOJIET un nepievienojiet nekādu citus matračus, izņemot to, kas iekļauts komplektā ar kulbu.
- ! Montāža jāveic pieaugušajiem.
- ! Pirms produkta lietošanas, lūdzu, izlasiet visas šajā instrukcijā sniegtās norādes. Lūdzu, saglabājiet šo instrukciju, lai varētu to lietot arī turpmāk. Neievērojot šos brīdinājumus un norādes, var rasties nopietni ievainojumi vai pat nāve.
- ! Lai izvairītos no smagiem ievainojumiem, kas var rasties, bērnam izkrītot vai izslīdot no ratiņiem, vienmēr lietojiet drošības jostu.
- ! Regulējot ratus, pārliedzieties, ka uz jūsu bērna ķermeņa neatrodas ratiņu kustīgās daļas.
- ! Nelietojiet ratiņus uz kāpnēm vai eskalatora.
- ! Sargājiet ratiņus no priekšmetiem ar augstu temperatūru, šķidrumiem un elektroniskām ierīcēm.
- ! Neatstājiet ratus uz ceļa, slīpām virsmām vai bīstamās vietās.
- ! Lai nepieļautu nožņaugšanas iespēju, uz bērna kakla NENOVIETOJIET priekšmetus, kas varētu izveidot cilpu.
- ! NELIETOJIET uzglabāšanas grozu bērna pārvadāšanai.

- ! Lai izvairītos no pirkstu iespiešanas, saliekot un atverot ratus, ievērojiet piesardzību.
- ! Lai nodrošinātu jūsu bērna drošību, pirms ratiņu lietošanas pārliedzieties, ka visas detaļas ir pareizi uzstādītas un nostiprinātas.
- ! Lai izvairītos no nožņaugšanas iespējas, pārliedzieties, ka jūsu bērns nav aizķēries aiz jumta.
- ! Apstādinot ratiņus, vienmēr lietojiet bremzes.
- ! Pārtrauciet ratiņu lietošanu, ja tie ir bojāti vai salauzti.
- ! Lai izvairītos no apdegumiem, nekad nenovietojiet karstus šķidrumus glāžu turētājā.
- ! Šis izstrādājums ir piemērots bērniem līdz 22 kg vai 4 gadu vecumam (atkarībā no tā, kurš no lielumiem ir pirmais).

## Ratiņu salikšana

(Lūdzu skatiet norādījumus 1.–15. lpp.)

Pirms produkta salikšanas un lietošanas izlasiet visas šajā instrukcijā sniegtās norādes.

### Ratiņu atvēršana

Skatīt ① - ③

Atdaliet uzglabāšanas fiksatoru no uzglabāšanas stiprinājuma ① un pēc tam paceliet rokturi augšup ②, klikšķis nozīmē, ka ratiņi ir pilnībā atvērti.

! Pirms lietot ratiņus, pārliedzieties, ka tie ir pilnībā nofiksēti.

! Atverot atzveltni, lūdzu nespiediet uz kāju balsta. ③ - 1 Ja to darāt, lūdzu izpildiet ④. attēlā norādīto, lai salocītu un atkal atvērtu atzveltni.

### Priekšējā riteņa salikšana un atvienošana

Skatīt ④ - ⑤

### Aizmugurējā riteņa salikšana un atvienošana

Skatīt ⑥ - ⑦

### Pārsega salikšana

Skatīt ⑧ - ⑩

### Glāžu turētāja salikšana un atvienošana

Skatīt ⑪ - ⑫

Pilnībā salikti ratiņi ir redzami ⑬ attēlā.

## Ratiņu lietošana

### Muguras balsta regulēšana

Skatīt 14 - 15

Atzveltni ir 4 slīpuma leņķi.

Paaugstināt atzveltni

Lai paaugstinātu atzveltni, nospiediet sēdekļa aizmugurē esošo slīpuma regulēšanas rokturi, pavelciet atzveltni uz augšu. 14

Muguras balsta nolaišana

Lai nolaistu atzveltni, nospiediet sēdekļa aizmugurē esošo slīpuma regulēšanas rokturi, pavelciet atzveltni uz leju. 15

! Lūdzu nespiediet atbrīvošanas pogu 14 - 3 & 15 - 3, slīpuma regulēšanas roktura vidū, kad pielāgojat slīpuma leņķi.

! Pārliedziniet, ka muguras balsta slīpums ir pareizi iestatīts.

### Sprādzes lietošana

Skatīt 16 - 17

Sprādzes atvēršana

Lai atvērtu sprādzi, piespiediet centrālo pogu. 16

Sprādzes nofiksēšana

Savietojiet vidukļa siksnas sprādzi ar plecu siksnu sprādzi 17 - 1 un ar klikšķi ievietojiet centrālajā sprādzē. 17 - 2 Klikšķa atskanēšana nozīmē to, ka sprādze ir pilnībā nofiksēta. 17 - 3

! Lai izvairītos no smagiem ievainojumiem, kas var rasties, izkrītot vai izslīdot no ratiņiem, vienmēr bērnu piesprādzējiet ar drošības jostu.

! Pārliedziniet, ka jūsu bērns ir kārtīgi piesprādzēts. Vietai starp bērnu un plecu jostām jābūt aptuveni vienas plaukstas biezumā.

! Nesakrustojiet plecu jostas. Tas var radīt spiedienu uz bērna kaklu.

## Plecu un vidukļa jostu lietošana

Skatīt 18 - 23

! Lai bērnu aizsargātu pret izkrišanu, pēc bērna ievietošanas sēdeklī, pārliedziniet, ka plecu un vidukļa jostas atrodas piemērotā augstumā un attālumā.

18 - 1 plecu jostu sprādze A

18 - 2 plecu jostu sprādze B

18 - 3 bīdāmais regulators

Lielam bērnam izmantojiet pleca siksnas stiprinājumu A un augstākās plecu gropes. Mazam bērnam izmantojiet pleca siksnas stiprinājumu B un zemākās pleca gropes.

Lai regulētu pozīciju plecu siksnu sprādzē, pagrieziet sprādzi tādā veidā, lai tā būtu vienā līmenī ar sāniem, ar skatu uz priekšu. Izvelciet to cauri plecu siksnu atverēm no aizmugures uz priekšu. 21

Vēlreiz izvelciet to cauri atverei, kas atrodas vistuvāk bērna plecu augstuma. 22

Ar bīdāmo regulatoru noregulējiet siksnas garumu. 23 - 1

Piespiediet pogu 23 - 2 un vidukļa jostu izvelciet nepieciešamajā garumā. 23 - 3

## Roku balsta lietošana

Skatīt 24 - 26

## Kāju balsta regulēšana

Skatīt 27 - 28

Kāju balstam ir 2 pozīcijas.

Lai regulētu kāju ikru balstu, nospiediet zem kāju ikru balsta 27 - 1 esošās regulēšanas pogas un nolaidiet vai paceliet balstu 27 - 2

Lai paaugstinātu kāju ikru balstu, paceliet to uz augšu. Klikšķa atskanēšana nozīmē to, ka kāju balsts ir pilnībā nofiksēts.

## Priekšējā kustīgā fiksatora lietošana

Skatīt 29

Lai saglabātu kustības virzienu, priekšējo kustīgo fiksatoru piespiediet uz augšu. 29

**Padoms** kustības fiksatoru ir ieteicams lietot uz nelīdzenām virsmām.

## Bremžu lietošana

Skatīt 30 - 31

Lai bloķētu riteņus, nospiediet bremžu sviru uz leju. 30

Lai atbrīvotu riteņus, paceliet bremžu sviru uz augšu. 31

**Padoms** vienmēr ieslēdziet stāvbremzi, kad ratiņi neatrodas kustībā.

## Jumta lietošana

Skatīt 32 - 34

Lai jūsu bērnu pēc iespējas vairāk aizsargātu no saules, vienkārši atveriet rāvējslēdzēju 33 un pavelciet jumtu uz priekšu.

## Roktura regulēšana

Skatīt 35

## Sēdekļa nomaiņšana

Skatīt 36 - 39

## Uzglabāšanas somas lietošana

Skatīt 40

Maksimālā slodze uzglabāšanas somai A un B ir 0,45 kg.

## Ratiņu salocīšana

Skatīt 41 - 49

! Poga, kas atrodas uz slīpuma regulēšanas roktura vidus, tiek izmantota sēdekļa salocīšanai. 42 - 1

! Ratiņus var novietot stāvus, kad rokturis atrodas augstākajā pozīcijā. 46

! Uzglabāšanas stiprinājums automātiski nofiksēsies uz uzglabāšanas stiprinājuma, pēc tam ratiņi ir salocīti un pilnībā nofiksēti. 46 49

## Piederumu lietošana

Piederumi var tikt pārdoti atsevišķi vai var nebūt pieejami atsevišķos reģionos.

## Lietošana kopā ar zīdaiņu ierobežotājsistēmu

Skatīt 50 - 55

Lietojot Joie zīdaiņu ierobežotājsistēmu i-Snug 2 & i-Gemm 3 & i-Level Recline & i-Jemini & Gemm, lūdzam atsaukties uz šādiem norādījumiem.

! Klikšķa atskanēšana nozīmē to, ka adapteris ir pilnībā nofiksēts.

! Ja jums rodas kādas problēmas zīdaiņu ierobežotājsistēmas lietošanā, lūdzu, skatiet attiecīgo produktu lietošanas pamācības.

! Lūdzu, nesalokiet ratiņus, kad zīdaiņu ierobežotājsistēma ir pievienota.

## Pārnēsāšanas kulbas lietošana Ramble, Ramble XL

Skatīt 56 - 59

Lietojot kopā ar Joie ramble, ramble xl pārnēsājamo kulbu, lūdzam atsaukties uz šādiem norādījumiem.



- ! Klikšķa atskanēšana nozīmē to, ka adapteris ir pilnībā nofiksēts.
- ! Vienmēr izmantojiet matraci, kad lietojiet pārnēsājamo kulbu.
- ! Ja jums rodas kādas problēmas ar pārnēsāšanas kulbas lietošanu, lūdzu, skatiet produkta lietošanas pamācību.
- ! Lūdzu, nesalokiet ratiņus, kad pārnēsāšanas kulba ir pievienota.

## Pārnēsāšanas kulbas lietošana

skatiet attēlu 60 - 63

Kad izmantojat ar Joie calmi automašīnas gultu, skatiet šo lietošanas rokasgrāmatu.

- ! “Klikšķis” norāda, ka adapteris ir pilnībā nofiksēts.
- ! Vienmēr ar automašīnas gultu lietojiet matraci.
- ! Pirms automašīnas gultas uzstādīšanas pārbaudiet, vai automašīnas gultas apakšdaļā tīkls ir atbilstoši nofiksēts
- ! Ja rodas kādas problēmas ar automašīnas gultas lietošanu, skatiet to lietotāja rokasgrāmatas.
- ! Nesalokiet ratiņus, kamēr automašīnas gulta ir piestiprināta.

## Lietus pārsega lietošana

Skatīt 64

Lai saliktu lietus pārsegu, novietojiet to virs sēdekļa.

- ! Lietojot lietus pārsegu, lūdzu, vienmēr pārbaudiet tā ventilāciju.
- ! Ja lietus pārsegs netiek lietots, pirms salocīšanas tas jānotīra un jānožāvē.
- ! Nesalokiet ratiņus pēc lietus pārsega salikšanas.
- ! Karstā laikā nelieciet ratiņos bērnu, ja ratiņiem ir uzstādīts lietus pārsegs.

## Mīksto detaļu atvienošana un salikšana

Skatīt 65 - 79

Noņemiet roku balstu, kā parādīts 26 attēlā.

Lai atkārtoti saliktu sēdekļa mīkstās detaļas, veiciet iepriekšējos soļus apgrieztā secībā. 79 - 65

## Tīrīšana un apkope

Skatīt 80

- ! Ratiņu rāmja tīrīšanai lietojiet saimniecības ziepes un siltu ūdeni. Nelietot balinātāju vai mazgāšanas līdzekli. Lūdzu, skatiet norādījumus par ratiņu audumu daļu tīrīšanu uz etiķetes.
- ! Noņemamās mīkstās daļas var mazgāt veļas mazgājamajā mašīnā. Nebalināt. Neizgrieziet sēdekļa pārvalku un iekšējo polsterējumu, lai tos izžāvētu. Šādā veidā uz sēdekļa pārvalka vai uz iekšējā polsterējuma var rasties krunkas.
- ! Regulāri pārbaudiet, vai nav atskrūvējušās ratiņu skrūves, vai ratiņiem nav nodilušas detaļas, saplēsti materiāli vai atirušas šuves. Ja nepieciešams, veiciet detaļu nomaiņu. Periodiski noslaukiet plastmasas daļas ar mīkstu, mitru drānu. Vienmēr noslaukiet metāla daļas, lai novērstu rūsas veidošanos, ja ratiņi ir nonākuši saskarē ar ūdeni.
- ! Intensīva saules vai karstuma ietekme var radīt detaļu vai apšuvuma izbalēšanu.
- ! Ja ratiņi ir samirkuši, atveriet jumtu un pirms uzglabāšanas ļaujiet ratiņiem pilnībā izžūt.
- ! Ja riteņi sāk čīkstēt, lietojiet smērvielu (piemēram, silikona aerosolu, pretrūsas eļļu vai šujmašīnas eļļu). Ļoti svarīgi, lai eļļa iekļūtu ass un riteņa mezglā. 80
- ! Ja ratiņi ir lietoti pludmalē, pēc lietošanas no ratiņiem, to mehānismiem un riteņiem pilnībā jānotīra sāls un smiltis.

## HU Üdvözlí a Joie™

Gratulálunk, hogy Ön is a Joie család tagja lett! Nagyon örülünk, hogy részesei lehetünk a kisgyereke életútjának. Amikor a Joie Versatrax™-el utazik, Ön egy kitűnő minőségű, teljes mértékben jóváhagyott gyerekocsit használ, amely megfelel az EN 1888-2:2018+A1:2022 szabványnak. A gyerekágy 22kg-os vagy 4 éves gyerekeknek megfelelő, amelyek hamarabb bekövetkeznek. Kérjük figyelmesen olvassa el ezt a kézikönyvet és kövesse a lépéseket, hogy kényelmes utazást és a legjobb védelmet biztosítsa a gyermekének.

**FONTOS - OLVASSA EL FIGYELMESEN ÉS TARTSA MEG A KÉSŐBBIEKRE.**

A kézikönyvek letöltéséhez látogasson el a joiebaby.com címre, itt láthat további érdekes Joie termékeket!

Garanciális információkért kérjük látogasson el weboldalunkra a joiebaby.com címen.

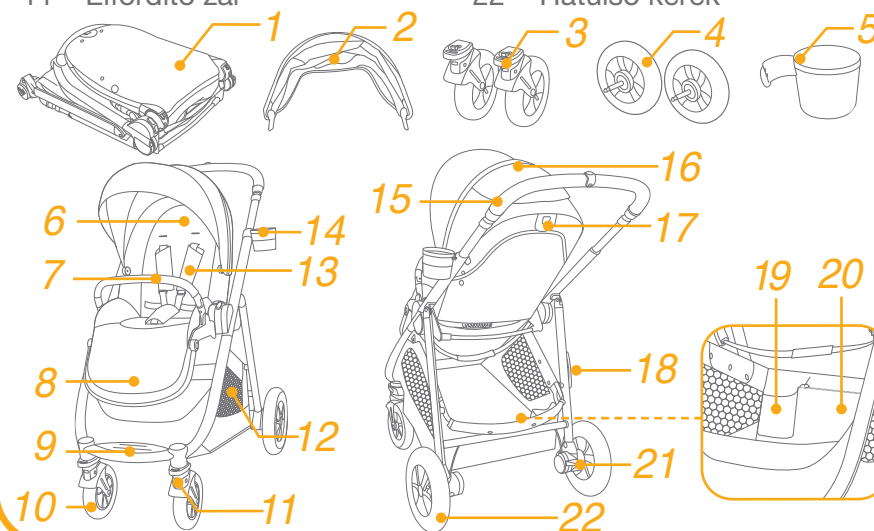
## Sürgősség

Sürgősség vagy baleset esetén a legfontosabb, hogy a gyerekek viselje gondját azonnali elsősegéllyel vagy orvosi kezeléssel.

## Alkatrészek listája

Győződjön meg, hogy minden alkatrész rendelkezésére áll, mielőtt nekilát az összeszerelésnek. Amennyiben valamelyik alkatrész hiányzik, kérjük vegye fel a kapcsolatot a helyi kereskedővel. Az összeszereléshez nincs szükség semmilyen szerszámra.

- |    |                   |    |                     |
|----|-------------------|----|---------------------|
| 1  | Gyerekkocsi keret | 12 | Tároló kosár        |
| 2  | Ülés              | 13 | Vállhámcsíj         |
| 3  | Első kerék        | 14 | Pohártartó          |
| 4  | Hátulsó kerék     | 15 | Fogantyú            |
| 5  | Pohártartó        | 16 | Ülés ablak          |
| 6  | Üléspárna         | 17 | Hátradöntő fogantyú |
| 7  | Karfa             | 18 | Tároló retesz       |
| 8  | Lábtartó          | 19 | Hordtáska A         |
| 9  | Lábtartó          | 20 | Hordtáska B         |
| 10 | Első kerék        | 21 | Fékkar              |
| 11 | Elfördítő zár     | 22 | Hátulsó kerék       |

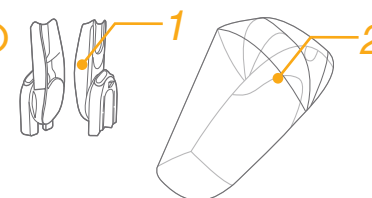


## Tartozékok

(lehet hogy nincsenek mellékelve)

- 1 Adapter
- 2 Eső elleni borító

Tartozékokat árulhatnak külön vagy megtörténhet hogy nem elérhető a régiótól függően.



## FIGYELMEZTETÉS

- ! FIGYELEM Soha ne hagyja felügyelet nélkül a gyereket.
- ! FIGYELEM Használat előtt győződjön meg, hogy minden záró eszköz be van kapcsolva.
- ! FIGYELEM A sérülések elkerülése érdekében bizonyosodjon meg, hogy a gyerek távol van tartva amikor összehajtja vagy kinyitja a terméket.
- ! FIGYELEM Ne engedje a gyereket játszani ezzel a termékkel.
- ! FIGYELEM Legfennebb 22 kg súlyú vagy 48 hónapos gyerekeknek megfelelő.
- ! FIGYELEM Mindig használja az ülésrendszert.
- ! FIGYELEM Használat előtt ellenőrizze, hogy a gyerekkocsi szerkezete és a csecsemőhordozó tartozék eszközei helyesen vannak összeszerelve.
- ! Ez a termék nem megfelelő kocogásra vagy görkorcsolyázásra.
- ! Olyan gyerekekkel használja a gyerekkocsit, akinek a súlya 22 kg-nál kevesebb. A nem belevaló gyerek kárt okozhat a gyerekkocsiban.
- ! A születéstől használható gyerekkocsikat ajánlott a legjobban megdöntött helyzetben használni újszülött gyerekeknek.
- ! A parkoló eszközt kapcsolja be amikor behelyezi és kiveszi a gyereket.
- ! Hogy megelőzzön egy veszélyes, instabil helyzetet, ne tegyen 4,5 kg-nál nagyobb súlyt a tároló kosárba.
- ! A legnagyobb ajánlott súly a pohártartóban 1lbs (0,5kg).
- ! A gyerekkocsit egyszerre csak egy gyerekkel használja.
- ! Ne csatoljon elemeket a fogantyúhoz, üléstámlára vagy a gyerekkocsi oldalára. Bármilyen további teher a gyerekkocsi stabilitását befolyásolja és a gyerekkocsi felbillenését okozhatja.
- ! Bármilyen teher amit a fogantyúra, a háttámlára és/ vagy a jármű oldalára helyez, a gyerekkocsi stabilitását befolyásolhatja.

- ! A gyártó által nem jóváhagyott tartozékokat ne használja. Csak a gyártó által szállított vagy ajánlott cserealkatrészeket használja.
- ! Az alvással együtt használt csecsemőhordozó esetén ez a jármű nem helyettesíti a kosarat vagy ágyat. Amennyiben a gyerekeknek alvásra van szüksége, egy megfelelő kocsiba, kosárba vagy ágyba kell helyeznie.
- ! A fulladás elkerülése érdekében távolítsa el a műanyag zsákot és a csomagolóanyagokat mielőtt használná a terméket. A műanyag zsák és a csomagolóanyagot tartsa távol csecsemőktől és gyerekektől.
- ! A hordozó kosár csak olyan gyerek számára megfelelő aki nem tud segítség nélkül ülni, átfordulni és nem tudja magát felnyomni térdre és könyökre. A gyerek maximális súlya: 9kg.
- ! NE használjon vagy ne adjon hozzá semmilyen matracot, mást mint amit a hordozó kosárral szállítottak.
- ! Az összeszerelést felnőtt személynek kell elvégeznie.
- ! Kérjük olvasson el minden útmutatást a kézikönyvben mielőtt használná a terméket. Kérjük tegye el a kezelési kézikönyvet a jövőbeni felhasználásra. Amennyiben figyelmen kívül hagyja a figyelmeztetéseket és útmutatásokat, ez komoly sérülést vagy halált okozhat.”
- ! A kiesés vagy kicsúszás miatt bekövetkező komoly sérülések megelőzése érdekében mindig használja a biztonsági övet.
- ! Győződjön meg, hogy a gyerek teste nem akad be a mozgó alkatrészekbe amikor a gyerekkocsit állítja.
- ! Soha ne használjon gyerekkocsit lépcsőkön vagy mozgólépcsőkön.
- ! Tartsa távol magas hőmérsékletű tárgyaktól, folyadékoktól és elektronikától.
- ! Soha ne hagyja a gyerekkocsit az úton, lejtőkön vagy veszélyes zónákban.
- ! Az esetleges fulladások megelőzése érdekében NE tegyen zsinórral ellátott tárgyakat a gyermek nyaka köré, ne függessen fel zsinórokat a gyerekágyra, és ne kössön zsinórokat a játékokra.
- ! NE használja a tároló kosarat gyerekhordozónak.

- ! Kerülje el az ujj becsípését, figyeljen oda amikor összehajtja vagy kinyitja a gyerekkocsit.
- ! A gyerek biztonságának érdekében kérjük győződjön meg, hogy minden alkatrész össze van szerelve és megfelelően meg van húzva mielőtt a gyerekkocsit használja.
- ! Ahhoz, hogy megelőzze a fulladást, győződjön meg hogy a gyerek távol van az üléstől.
- ! Mindig használja a fékeket amikor leparkolja a gyerekkocsit.
- ! Ne használja tovább a gyerekkocsit ha sérült vagy törött.
- ! Égési sérülések elkerülése végett soha ne tegyen forró folyadékokat a pohártartóba.
- ! A gyerekágy 22kg-os vagy 4 éves gyereknek megfelelő, amelyik hamarabb bekövetkezik.

## Gyerekkocsi összerakása

(Lásd az ábrákat az 1-15 oldalon levő ábrákat)

A termék használata és összeszerelése előtt kérjük olvassa el az útmutatóban lévő összes utasítást.

### Gyerekkocsi kinyitása

lásd a képeket ① - ③

Különítse el a tároló reteszt a tároló rögzítőtől ①, majd emelje a fogantyúkat felfele ②, a kattató hang azt jelzi, hogy a gyerekkocsi teljesen nyitva.

! Ellenőrizze hogy a gyerekkocsi teljesen kinyitva rögzült, mielőtt tovább használná.

! Kérjük ne nyomja meg a lábtartót miközben a háttámaszt nyitja ki. ③ - 1 Ha mégis, jegyezze meg ④ hogy hajtsa össze a háttámaszt és nyissa ki újra.

### Első kerék összerakása és leszerelése

lásd a képeket ④ - ⑤

### Hátulsó kerék összerakása és leszerelése

lásd a képeket ⑥ - ⑦

### Rakja össze az ülést

lásd a képeket ⑧ - ⑩

### Pohártartó összerakása és leszerelése

lásd a képeket ⑪ - ⑫

A teljesen összeszerelt gyerekkocsit az ábra mutatja ⑬

# Gyerekkocsi kezelése

## Háttámla állítása

lásd a képeket 14 - 15

A háttámla 4 szögbe állítható.

A háttámla emelése

A háttámla emeléséhez fordítsa el a döntő fogantyút az ülés hátoldalán és húzza fel a háttámlát. 14

A háttámla döntése

A háttámla döntéséhez fordítsa el a döntő fogantyút az ülés hátoldalán és húzza le a háttámlát. 15

! Kérjük ne nyomja meg a kioldó gombot 14 - 3&15 - 3 a döntőfogantyú közepén amikor a döntésszöveget állítja.

! Győződjön meg, hogy a döntés megfelelően van állítva a használathoz.

## Használja a csatot

lásd a képeket 16- 17

Engedje ki a csatot

A csat kiengedéséhez nyomja meg a középső gombot. 16

Zárja le a csatot

Párosítsa a csípőhámszíjat a vállzárral 17 - 1, és kattintsa be a középső csatba. 17 - 2 A „kattanó” hang azt jelenti a csat teljesen zárva van. 17 - 3

! A kiesés vagy kicsúszás miatt bekövetkező komoly sérülések megelőzése érdekében mindig rögzítse a gyereket hámszíjakkal.

! Győződjön meg, hogy a gyerek megfelelően biztosítva van. A gyerek és a vállhámszín közötti távolság körülbelül egy kézvastagságnyi.

! Ne keresztezze a vállpántokat. Ez nyomást gyakorol a gyerek nyakára.

## Használja a váll és csípőhámszíjat

lásd a képeket 18 - 23

! Ahhoz hogy a gyereket megvédje a kieséstől, miután a gyereket behelyezte az ülésbe, ellenőrizze, hogy a váll és csípőhámszíjak megfelelő magasságban vannak és megfelelő hosszúságúak.

18 - 1 Vállhámszín rögzítő A

18 - 2 Vállhámszín rögzítő B

18 - 3 Csúszás állító

Nagyobb gyerek esetében használja az A vállhámszín rögzítőt és a legmagasabb vállpánt nyílást. Kisebb gyerek esetében használja a B vállhámszín rögzítőt és a legalacsonyabb vállpánt nyílást.

A vállhámszín rögzítő helyzetének állításához fordítsa a rögzítőt úgy, hogy szintben legyen és az oldala előre nézzen. Húzza át a vállhámszín nyíláson hátulról előre. 21 Húzza át újra azon a nyíláson amelyik a legközelebb áll a gyerek magasságához. 22

Használja a csúszás állítót, hogy a hámszín hosszán állítson. 23 - 1

Nyomja meg a gombot 23 - 2, miközben a csípőhámszíjat húzza a megfelelő hosszúságra. 23 - 3

## Karfa használata

lásd a képeket 24 - 26

## Lábtartó állítása

lásd a képeket 27 - 28

A lábtartónak két helyzete van.

A lábtartó leengedéséhez nyomja meg az állító gombokat a lábtartó mindkét oldalán 27 - 1 és fordítsa a lábtartót lefele. 27 - 2

A lábtartó felemeléséhez nyomja felfele. A „kattanó” hang azt jelenti a lábtartó teljesen zárva van.

## Első elfordító zár használata

lásd a képeket 29

Nyomja fel az első elfordító zárat, hogy megtartsa a mozgási irányt. 29

**Tipp** Egyenetlen felületen ajánlott az elfordító zárok használata.

## A fék használata

lásd a képeket 30 - 31

A kerekek rögzítéséhez lépjen rá lefele a fékkarra. 30

A kerekek felengedéséhez csak emelje fel a fékkart. 31

**Tipp** Mindig állítsa be a parkoló féket amikor a gyerekkocsi nem mozog.

## Ülés használata

lásd a képeket 32 - 34

Az ülés teljesen kinyitható, hogy védje a gyermeket a naptól, nyissa ki a zipzárt 33, majd húzza az ülést előre.

## A fogantyú állítása

lásd a képeket 35

## Ülés cseréje

lásd a képeket 36 - 39

## Tárolózsák használata

lásd a képeket 40

Az A és B tárolózsák maximális terhelése 0,45 kg.

## Hajtsa össze a gyerekkocsit

lásd a képeket 41 - 49

! A döntőfogantyú közepén levő gomb az ülés összehajtására használt. 42 - 1

! A gyerekkocsi megáll ha a fogantyú a legmagasabb helyzetben van. 46

! A tároló retesz automatikusan beakad a tároló rögzítőbe, majd a gyerekkocsi teljesen össze van hajtva és lezárva. 46 49

## Tartozékok használata

Tartozékokat árulhatnak külön vagy megtörténhet hogy nem elérhetők a régiótól függően.

## Használat csecsemőhordozóval

lásd a képeket 50 - 55

Amikor Joie i-Snug 2 & i-Gemm 3 & i-Level Recline & i-Jemini & Gemm gyereküléssel használja, kérjük olvassa el az alábbi utasításokat.

! A „kattanó” hang azt jelenti a csat teljesen zárva van.

! Amennyiben problémája adódik a csecsemőhordozó használatával, kérjük olvassa el ezek kezelési útmutatóját.

! Kérjük ne hajtsa össze a gyerekkocsit, ha a csecsemőhordozó még mindig fel van szerelve.

## A hordozó kosár használata Ramble, Ramble XL

lásd a képeket 56 - 59

Amikor Joie ramble, ramble xl hordozó kosárral együtt használja, kérjük olvassa el az alábbi utasításokat.

! A „kattanó” hang azt jelenti a csat teljesen zárva van.

! A hordozókosár használatakor mindig használjon matracot.

- ! Amennyiben problémája adódik a hordozó kosár használatával, kérjük olvassa el ezek kezelési útmutatóját.
- ! Kérjük ne hajtsa össze a gyerekkocsit, ha a hordozókosár még mindig fel van szerelve.

## A hordozó kosár használata

lásd a képeket 60 - 63

Amikor a Joie calmi autós ágygal együtt használja, kérjük tanulmányozza a következő utasításokat.

- ! A „kattanó” hang azt jelenti a csat teljesen zárva van.
- ! Mindig használja a matracot amikor az autós ágyat használja.
- ! Kérjük ellenőrizze hogy az autós ágy alján levő háló megfelelően rögzítve van, mielőtt beszerelné az autós ágyat.
- ! Amennyiben problémája van az autós ágy használatával, kérjük olvassa el annak útmutatási kézikönyvét.
- ! Kérjük ne hajtsa össze a gyerekkocsit amikor az autós ágy csatolva van.

## Az eső elleni borító használata

lásd a képeket 64

Az eső elleni borító összeszereléséhez helyezze ezt az ülés fölé.

- ! Amikor használja az eső elleni borítót, kérjük mindig ellenőrizze a szellőzést.
- ! Amikor nem használja, kérjük ellenőrizze hogy az eső elleni borítót megtisztította és megszáritotta mielőtt összehajtja.
- ! Az eső elleni borító használatakor ne hajtsa össze a gyerekkocsit.
- ! Meleg időben ne tegye a gyereket a gyerekkocsiba ha az eső elleni borítót felszerelte.

## A puha belső eltávolítása és felhelyezése

lásd a képeket 65 - 79

Távolítsa el a karfát amint az ábrán látható 26

A puha belső visszaszereléséhez kövesse a fenti lépéseket fordított sorrendben 79 - 65

## Tisztítás és karbantartás

lásd a képeket 80

- ! A gyerekkocsi keretet kizárólag háztartási szappannal és meleg vízzel tisztítsa meg. Ne használjon fehérítőt vagy mosószert. A gyerekkocsi szövettel bevont részeinek tisztítását illetően tekintse meg a kezelésre vonatkozó címkén lévő utasításokat.
- ! Az eltávolítható puha belső mosógépben moshatók. Ne fehérítse. Ne csavarja az üléshez vagy a belső bélést, hogy nagy erővel szárítsa. Ráncos maradhat az üléshez és a belső bélés.
- ! Rendszeres időközönként ellenőrizze, hogy nincsenek-e meglazult csavarok, elhasználdott alkatrészek, illetve elszakadt anyagdarabok vagy varrások a gyerekkocsin. Szükség esetén cserélje le vagy javítsa meg az alkatrészeket. Időszakosan törölje tisztára a műanyag részeket egy nedves puha ronggyal. Mindig szárítsa meg a fémrészeket, hogy megelőzze a rozsdázást, ha a gyerekkocsi vízzel érintkezett.
- ! Túlzott napfény vagy hó hatására az alkatrészek kifakulhatnak vagy deformálódhatnak.
- ! Ha a gyerekkocsi nedves lesz, nyissa ki az ülést és hagyja megszáradni tárolás előtt.
- ! Ha a kerekek nyikorognak, használjon olajat (pl. Szilikon spray, rozsdagátló olaj vagy varrógépolaj). Fontos hogy az olaj a tengelyre és a kerékhez jusson. 80
- ! Ha a gyerekkocsit strandon vagy nagyon homokos/poros helyen használja, használat után tisztítsa meg teljesen a gyerekkocsit hogy eltávolítsa a homokot és sót a fém és kerékrendszerből.

## SL Dobrodošli pri znamki Joie™

Čestitamo vam, da ste postali član družine Joie! Veseli nas, da bomo del vašega življenja z malčkom. Ko potujete z vozičkom Joie Versatrax™, uporabljate visokokakovosten, v celoti certificiran otroški voziček, ki je odobren v skladu z evropskim varnostnim standardom EN 1888-2:2018+A1:2022. Ta izdelek je primeren za otroke s telesno težo do 22 kg ali otroke, ki so stari do 4 let, karkoli nastopi prej. Natančno preberite ta navodila in upoštevajte vse korake, da boste zagotovili udobno vožnjo in najboljšo zaščito za svojega otroka.

**POMEMBNO – NATANČNO PREBERITE IN SHRANITE ZA POZNEJŠO UPORABO.**

Obiščite spletno stran [joiebaby.com](http://joiebaby.com), kjer lahko prenesete navodila in si ogledate tudi druge vznemirljive izdelke Joie!

Informacije o garanciji najdete na spletni strani [joiebaby.com](http://joiebaby.com).

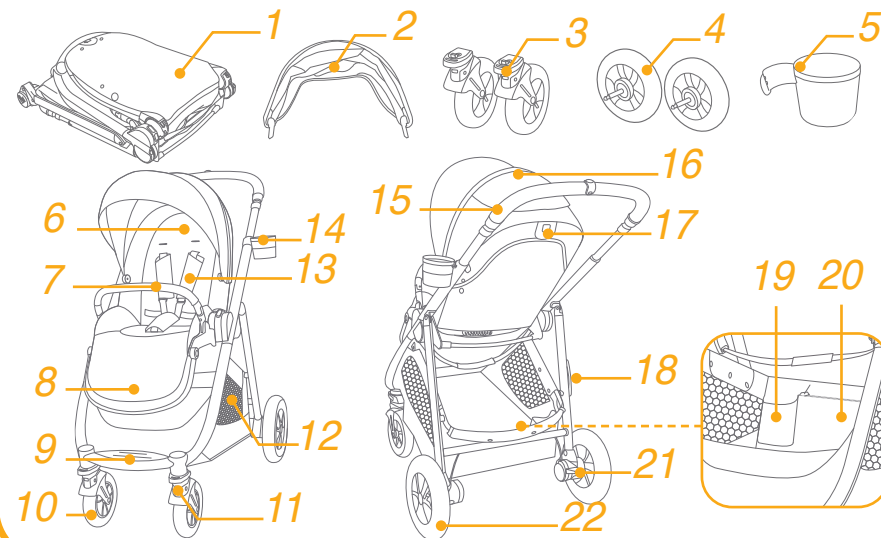
## V nujnem primeru

V nujnem primeru ali v primeru nesreče je pomembno, da otroku takoj nudite prvo pomoč in obiščete zdravnika.

## Seznam delov

Prepričajte se, da imate pred sestavljanjem izdelka na voljo vse dele. Če kateri del manjka, se obrnite na lokalnega prodajalca. Za sestavljanje izdelka ne potrebujete nobenega orodja.

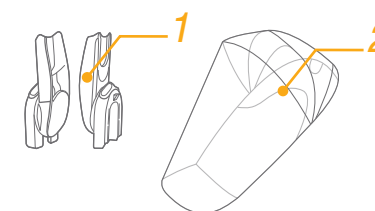
- |    |                        |    |                          |
|----|------------------------|----|--------------------------|
| 1  | Okvir vozička          | 12 | Nakupovalna košara       |
| 2  | Strehica               | 13 | Ramenski varnostni pas   |
| 3  | Sprednje kolo          | 14 | Držalo za plastenke      |
| 4  | Zadnje kolo            | 15 | Ročaj                    |
| 5  | Držalo za plastenke    | 16 | Okno na stregi           |
| 6  | Sedežna blazina        | 17 | Ročaj za nagib           |
| 7  | Naslonjalo za roke     | 18 | Zaklep za shranjevanje   |
| 8  | Podpora za meča        | 19 | Torba za shranjevanje A  |
| 9  | Podpora za noge        | 20 | Zaklep za shranjevanje B |
| 10 | Sprednje kolo          | 21 | Vzvod zavore             |
| 11 | Zaklep vrtljivih koles | 22 | Zadnje kolo              |



## Dodatna oprema (Morda ni priložena)

- 1 Prilagodilnik
- 2 Dežno pregrinjalo

Dodatna oprema je na voljo ločeno ali ni na voljo v vseh regijah.





## OPOZORILO

- ! OPOZORILO Otroka nikoli ne puščajte brez nadzora.
- ! OPOZORILO Pred uporabo se prepričajte, da so vse zaklepne naprave aktivirane.
- ! OPOZORILO Med odpiranjem in zlaganjem tega izdelka se prepričajte, da v bližini ni otrok, in tako preprečite telesne poškodbe.
- ! OPOZORILO Otroci se ne smejo igrati z izdelkom.
- ! OPOZORILO Vedno uporabljajte sistem za zadrževanje otrok.
- ! OPOZORILO Pred uporabo preverite, ali so ohišje otroškega vozička, sedež oziroma priključne naprave za avtomobilski sedež pravilno aktivirani.
- ! Izdelek ni primeren za uporabo pri teku ali rolanju.
- ! Voziček lahko uporabljate za otroka, ki je lažji od 22 kg. Če je otrok težji, se voziček poškoduje.
- ! Pri vozičku, namenjenemu za uporabo od rojstva, priporočamo uporabo najbolj ležečega položaja za novorojenčke.
- ! Pri nameščanju in jemanju otroka iz vozička aktivirajte parkirno napravo.
- ! Da preprečite nevarno in nestabilno stanje, je največja dovoljena obremenitev nakupovalne košare 4,5 kg.
- ! Največja priporočena teža v držalu za plastenke je 0,5 kg.
- ! Otroški voziček lahko uporablja le en otrok naenkrat.
- ! Na ročaj, hrbtišče ali ob strani vozička ne pritrjujte ničesar. Vsakršna dodatna obremenitev vpliva na stabilnost vozička in lahko povzroči, da se voziček prekucne.
- ! Kakršno koli breme, pritrjeno na ročaj in/ali hrbtni del naslonjala in/ali na stranska dela otroškega vozička, bo vplivalo na stabilnost otroškega vozička.
- ! Dodatne opreme, ki je ni odobril proizvajalec, ni dovoljeno uporabljati. Uporabljajte le nadomestne dele, ki jih dobavlja oziroma priporoča proizvajalec.
- ! Pri uporabi lupinice s podvozjem upoštevajte, da ta voziček ne nadomešča zibelke ali postelje. V času spanja odložite otroka v primerno košaro otroškega vozička, zibelko ali posteljo.

- ! Da se izognete zadužitvi, pred uporabo odstranite plastično vrečko in embalažni material. Plastično vrečko in embalažni material morate nato hraniti stran od dojenčkov in otrok.
- ! Košaro za voziček prenehajte uporabljati takoj, ko otrok lahko sedi sam, se prekotali oziroma se dvigne na roke in kolena. Največja teža otroka: 9 kg.
- ! Ne uporabljajte dodatne vzmetnice, razen če to priporoča proizvajalec.
- ! Izdelek mora sestaviti odrasla oseba.
- ! Pred uporabo izdelka preberite navodila v priročniku in jih shranite za poznejšo uporabo. Neupoštevanje teh opozoril in navodil lahko povzroči resne telesne poškodbe ali smrt.
- ! Vedno uporabljajte varnostni pas, da preprečite resne poškodbe zaradi padca ali zdrsa otroka iz vozička.
- ! Prepričajte se, da je telo otroka umaknjeno od premičnih delov, ko spreminjate nastavitev vozička.
- ! Vozička nikoli ne uporabljajte na stopnicah ali tekočih stopnicah.
- ! Pazite, da izdelek ne bo v bližini vročih predmetov, tekočin in elektrone.
- ! Vozička nikoli ne postavljajte na cesto, klančino ali druga nevarna območja.
- ! Da se izognete zadužitvi, NE polagajte predmetov z vrvico okoli otrokovega vratu, ne obešajte vrvic na ta izdelek oziroma na igrače ne pritrjujte vrvic.
- ! Nakupovalne košare NE uporabljajte za prevažanje otroka.
- ! Pri zlaganju in pripravi vozička pazite, da si ne uščipnete prstov.
- ! Da bi zagotovili varnost otroka, se prepričajte, da so vsi deli pravilno sestavljeni in nameščeni, preden voziček uporabite.
- ! Da preprečite zadužitev, poskrbite, da otrok ne pride v stik s strehico.
- ! Kadar parkirate voziček, vedno aktivirajte zavoro.
- ! Če se voziček poškoduje ali zlomi, ga ne uporabljajte več.
- ! Da se izognete opeklinam, v držala za skodelice nikoli ne postavljajte vročih tekočin.
- ! Ta izdelek je primeren za otroke s telesno težo do 22 kg ali otroke, ki so stari do 4 let, karkoli nastopi prej.

## Sestavljanje otroškega vozička

(Glejte slike na straneh 1–15.)

Pred sestavljanjem in uporabo izdelka preberite navodila v tem priročniku.

### Odpiranje otroškega vozička

Glejte slike 1–3

! Pred nadaljnjo uporabo preverite, ali je voziček popolnoma razprt.

### Sestavljanje in odstranjevanje sprednjega kolesa

Glejte slike 4–5

### Sestavljanje in odstranjevanje zadnjega kolesa

Glejte slike 6–7

### Sestavljanje strehice

Glejte slike 8–10

### Sestavljanje in odstranjevanje držala za platenke

Glejte slike 11–12

Popolnoma sestavljen otroški voziček je prikazan na sliki 13.

## Upravljanje otroškega vozička

### Nastavitev naslonjala

Glejte slike 14–15

Hrbtno naslonjalo lahko namestite v 4 kote nagiba.

Dvigovanje naslonjala

Če želite naslonjalo dvigniti, zavrtite ročaj za nagib, ki je na hrbtne strani sedeža, in naslonjalo povlecite navzgor. 14

Spuščanje naslonjala

Če želite naslonjalo spustiti, zavrtite ročaj za nagib, ki je na hrbtne strani sedeža, in naslonjalo potisnite navzdol. 15

! Kadar nastavljate kot nagiba naslonjala, ne pritisnite gumba za sprostitev 14 - 3, 15 - 3, ki je na sredini ročaja za nagib.

! Prepričajte se, da je naslonjalo ustrezno nameščeno za uporabo.

### Uporaba zaponke

Glejte slike 16–17

Sprostitev zaponke

Pritisnite sredinski gumb, da sprostite zaponko. 16

Zapenjanje zaponke

Zaponko trebušnega pasu poravnajte z zaponko ramenskih pasov 17 - 1 in ju vstavite v sredinsko zaponko, da se zaskočita.

17 - 2 Slišen klik pomeni, da je zaponka popolnoma zaklenjena.

17 - 3

! Otroka vedno pripnite z varnostnim pasom, da preprečite resne telesne poškodbe zaradi padca ali zdrsa otroka iz vozička.

! Prepričajte se, da je otrok trdno pripet. Med otrokom in ramenskim varnostnim pasom je lahko prostora za približno debelino ene roke.

! Ramenskih pasov ne prekrizajte. V nasprotnem primeru bodo pasovi obremenili otrokov vrat.

## Uporaba ramenskih in trebušnega varnostnega pasu

Glejte slike 18–23

! Da otroka zaščitite pred padcem iz vozička, ko že sedi v njem, preverite, ali sta ramenska in trebušni varnostni pas na ustrezni višini in ustrezno dolga.

18 - 1 Zaponka ramenskega varnostnega pasu A

18 - 2 Zaponka ramenskega varnostnega pasu B

18 - 3 Nastavek za nastavitev zaponke

Pri večjih otrocih uporabite ramenska pasova z zaponko A in najvišje ramenske reže. Pri manjših otrocih uporabite ramenska pasova z zaponko B in nižje ramenske reže.

Položaj ramenskega pasu z zaponko prilagodite tako, da je zaponka poravnana s stranjo, obrnjeno naprej. Povlecite ga skozi režo za ramenski pas od zadaj proti naprej. 21 Ponovno ga povlecite skozi režo, ki je najbližje višini ramen otroka. 22

Uporabite nastavek za nastavitev zaponke, da spremenite dolžino pasu. 23 - 1

Pritisnite gumb 23 - 2 in hkrati povlecite trebušni varnostni pas na zeleno dolžino. 23 - 3

## Uporaba naslonjala za roke

Glejte slike 24–26

## Nastavitev podpore za meča

Glejte slike 27–28

Podporo za meča je mogoče namestiti v 2 položaja.

Če želite znižati podporo za meča, nastavitvena gumba na obeh straneh podpore za meča 27 - 1 in podporo za meča zavrtite navzdol. 27 - 2

Če želite dvigniti podporo za meča, jo potisnite navzgor. Slišen klik pomeni, da je podpora popolnoma zaklenjena.

## Uporaba zaklepa sprednjih vrtljivih koles

Glejte sliko 29

Zaklep sprednjih vrtljivih koles potisnite navzgor, da ohranite smer gibanja. 29

**Nasvet** Na neravnih površinah priporočamo uporabo zaklepa vrtljivih koles.

## Uporaba zavore

Glejte slike 30–31

Če želite zakleniti kolesa, z nogo potisnite vzvod zavore navzdol. 30

Če želite odkleniti kolesa, dvignite vzvod zavore. 31

**Nasvet** Kadar se otroški voziček ne premika, vedno aktivirajte parkirno zavoro.

## Uporaba strehice

Glejte slike 32–34

Strehica je lahko odprta, da vašega otroka popolnoma zaščiti pred soncem. Preprosto odprite zadrgo 33 in strehico povlecite naprej.

## Nastavitev ročaja

Glejte sliko 35

## Zamenjava sedeža

Glejte slike 36–39

## Uporaba torbe za shranjevanje

Glejte sliko 40

Največja dovoljena obremenitev torbe za shranjevanje A in B je 0,45 kg.

## Zlaganje otroškega vozička

Glejte slike 41–49

- ! Za zlaganje sedeža se uporablja gumb na sredini ročaja za nagib. 42 - 1
- ! Otroški voziček lahko stoji, ko je ročaj v najvišjem položaju. 46
- ! Zaklep za shranjevanje se bo samodejno zaskočil na držalo za shranjevanje. Takrat je otroški voziček popolnoma zložen in zaklenjen. 46, 49

## Uporaba dodatne opreme

Dodatna oprema je na voljo ločeno ali ni na voljo v vseh regijah.

### Uporaba z lupinico

Glejte slike 50–55

- Kadar otroški voziček uporabljate z lupinicami Joie i-Snug 2 & i-Gemm 3 & i-Level Recline & i-Jemini & Gemm, upoštevajte naslednja navodila.
- ! Slišen klik pomeni, da je prilagodilnik popolnoma zaklenjen.
  - ! Če imate težave pri uporabi lupinice, glejte navodila za uporabo lupinice.
  - ! Vozička ne zlagajte, če je lupinica še nameščena.

## Uporaba košare za voziček Ramble, Ramble XL

Glejte slike 56–59

- Kadar otroški voziček uporabljate s košaro za voziček Joie Ramble, ramble XL, upoštevajte naslednja navodila.
- ! Slišen klik pomeni, da je prilagodilnik popolnoma zaklenjen.
  - ! Kadar uporabljate košaro za voziček, vedno uporabljate vzmetnico.
  - ! Če imate težave pri uporabi košare za voziček, glejte navodila za uporabo lupinice.
  - ! Vozička ne zlagajte, če je košara za voziček še nameščena.

### Uporaba košare za voziček

Glejte slike 60 - 63

- Pri uporabi z avtomobilsko posteljico Joie calmi upoštevajte naslednja navodila.
- ! Slišen „klik“ pomeni, da je adapter popolnoma zaklenjen.
  - ! Kadar uporabljate avtomobilsko posteljico, vedno uporabljajte vzmetnico.
  - ! Preden namestite avtomobilsko posteljico, preverite, ali je mrežica na dnu avtomobilske posteljice ustrezno pritrjena.
  - ! Če imate težave z uporabo avtomobilske posteljice, glejte njena navodila za uporabo.
  - ! Ko je avtomobilska posteljica še vedno nameščena, vozička ne zlagajte.

### Uporaba dežnega pregrinjala

Glejte sliko 64

- Dežno pregrinjalo uporabite tako, da ga namestite čez sedež.
- ! Pri uporabi dežnega pregrinjala vedno preverite prezračevanje.
  - ! Ko dežne prevleke ne uporabljate, jo očistite, posušite in nato zložite.
  - ! Ne zlagajte vozička, če ste namestili dežno pregrinjalo.

! Ne nameščajte otroka v voziček z nameščenim dežnim pregrinjalom, kadar je vroče.

! Kadar otroški voziček uporabljate na plaži ali območjih, kjer je veliko prahu/peska, ga po uporabi temeljito očistite, da odstranite pesek in sol iz mehanizmov in sklopov koles.

## Odstranjevanje in nameščanje mehkih delov

Glejte slike 65–79

Naslonjalo za roke odstranite, kot je prikazano na sliki 26.

Za ponovno nameščanje mehkih delov sledite zgornjim korakom v obratnem vrstnem redu. 79 - 65

## Čiščenje in vzdrževanje

Glejte sliko 80

! Za čiščenje okvirja vozička uporabljajte samo gospodinjsko milo in toplo vodo. Ne uporabljajte belila ali detergenta. Za navodila glede čiščenja tekstilnih delov vozička glejte oznako za vzdrževanje.

! Snemljive mehke dele lahko strojno operete. Ne belite. Sedežne prevleke in notranjih podlog ne ožemajte preveč, saj bi lahko ostala zmečkana.

! Občasno voziček pregledajte zaradi morebitnih odvitih vijakov, obrabljenih delov, strganih materialov ali šivov. Po potrebi dele zamenjajte ali popravite. Plastične dele občasno obrišite z vlažno mehko krpo. Kovinske dele vedno obrišite do suhega, da preprečite rjavenje zaradi stika vozička z vodo.

! Pretirana izpostavljenost soncu ali vročini lahko povzroči bledenje posameznih delov tkanine in izgubo oblike.

! Če je voziček moker, odprite strehico in počakajte, da se popolnoma posuši, preden ga shranite.

! Če kolesa škripajo, uporabite lahko olje (npr. silikonsko olje proti rjavenju v pršilu ali olje za šivalni stroj). Pomembno je, da olje kanete v sklop osi in koles. 80



Allison Baby UK Ltd,  
Venture Point, Towers Business Park  
Rugeley, Staffordshire, WS15 1UZ

NUNA International B.V.  
Van der Valk Bourmanweg 178 C,  
2352 JD Leiderdorp, The Netherlands

bring the kids™

Share the joy at [joiebaby.com](http://joiebaby.com)

P-IM0463W