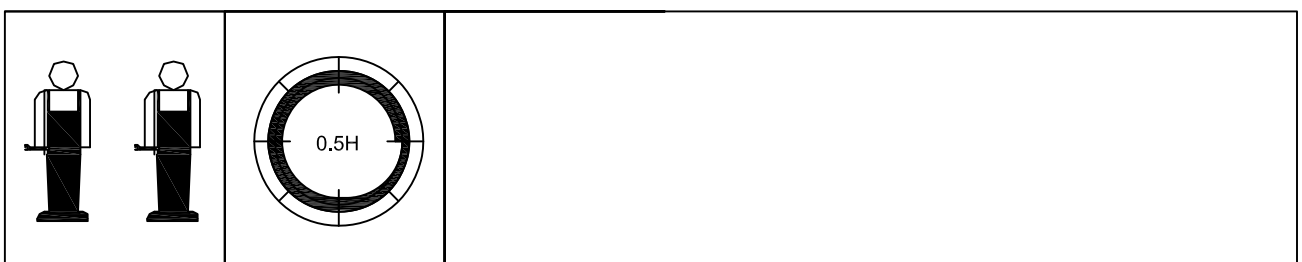
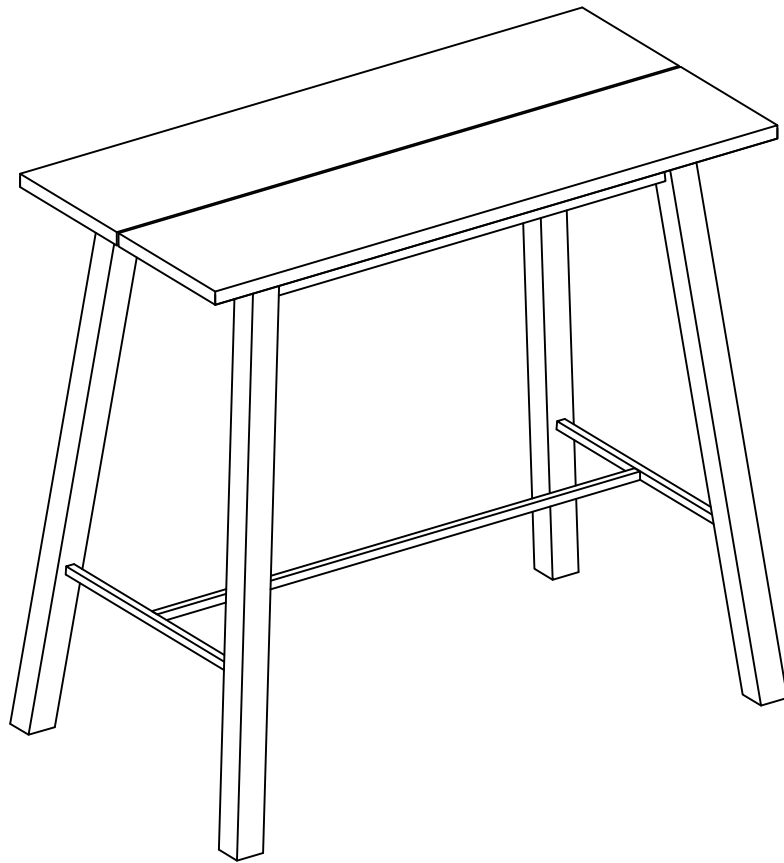
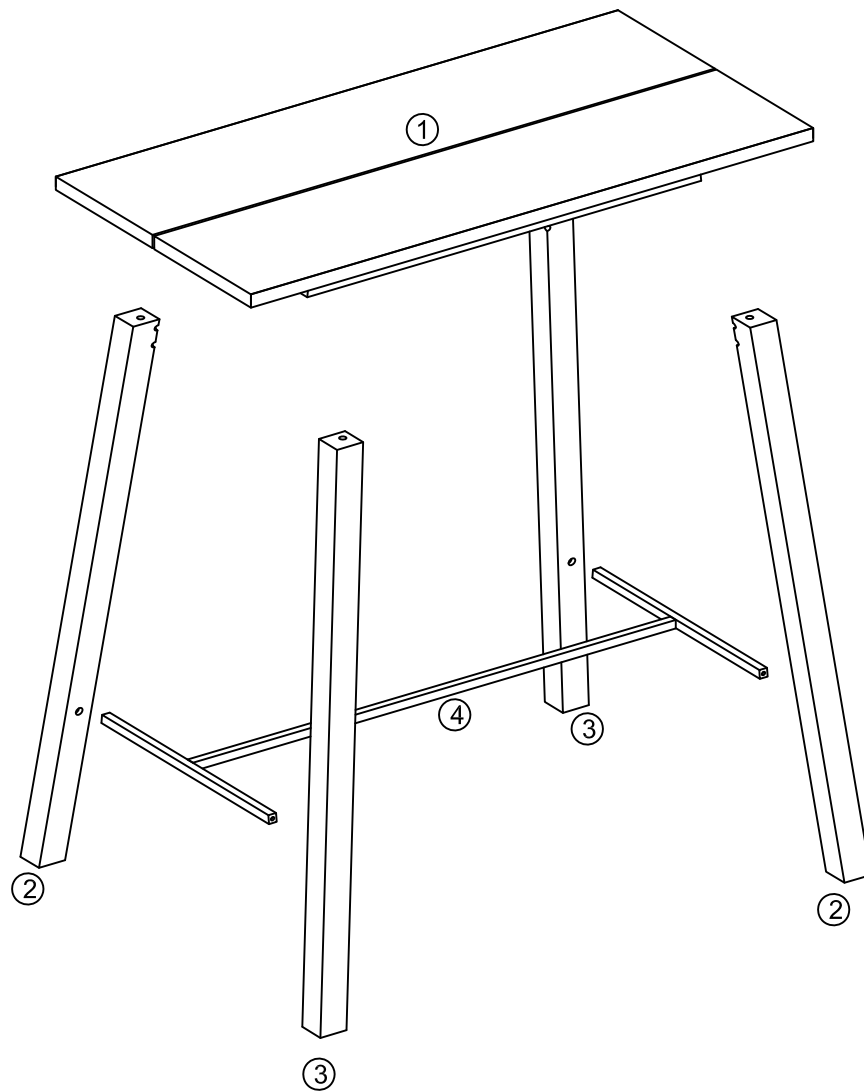


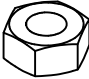



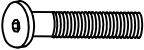
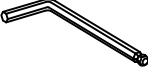
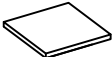


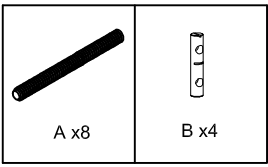
# Chara

---

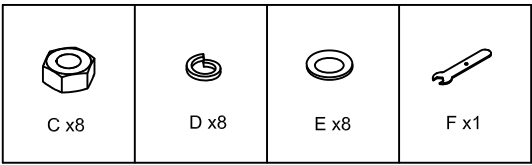
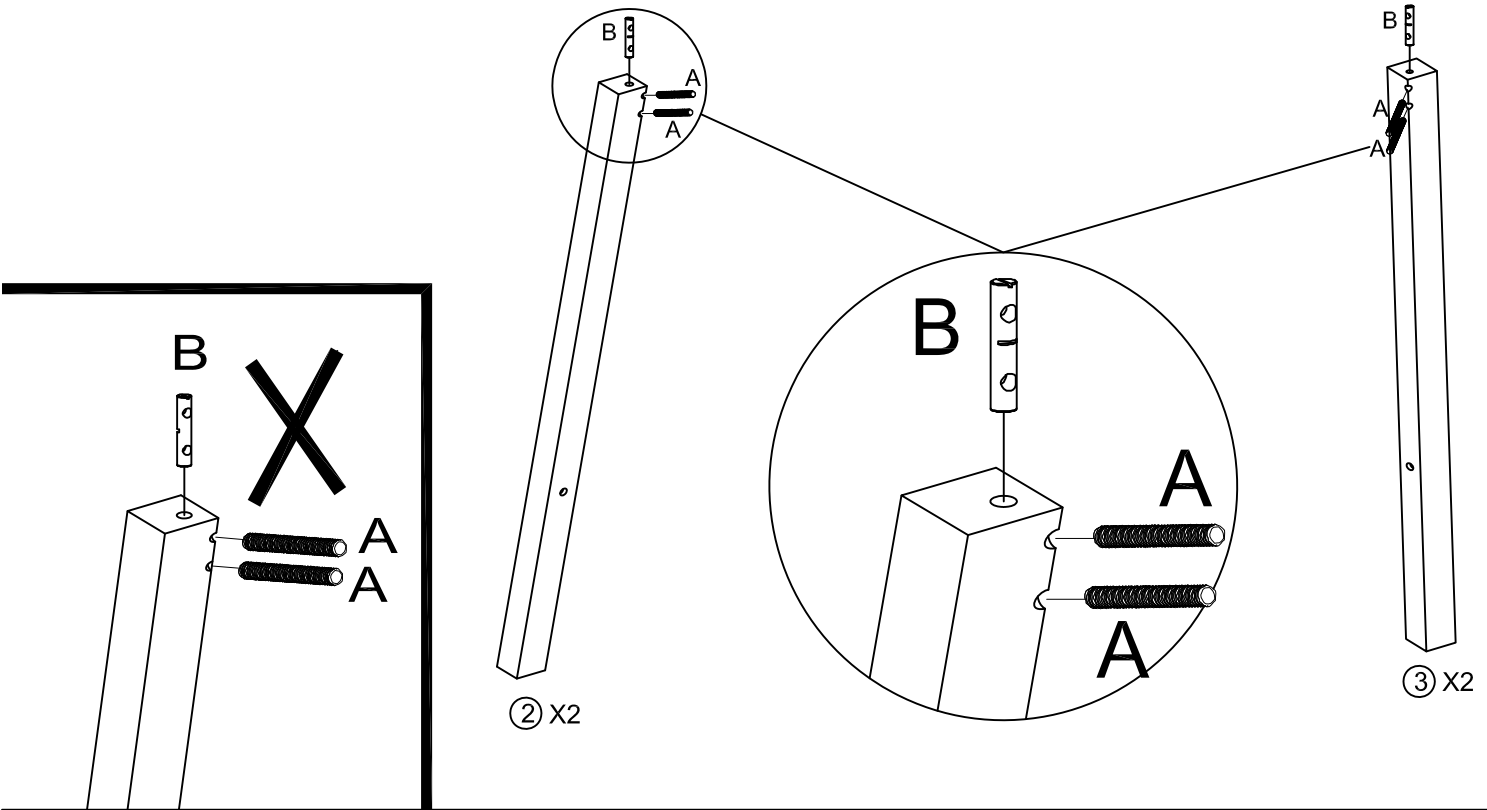




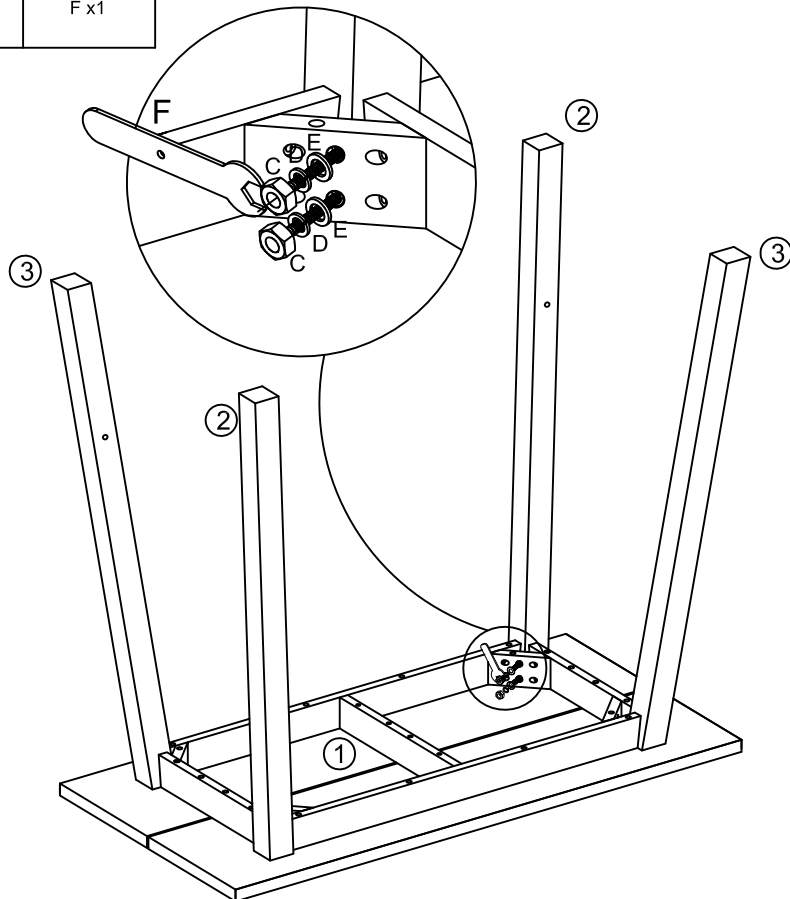
 A x8 M8*95	 B x4 Ø12*60	 C x8 M8*6	 D x12 M8	 E x12 Ø8/Ø16	 F x1 12mm
 G x4 M8*25	 H x1 5mm	 I x4 50*50*3			

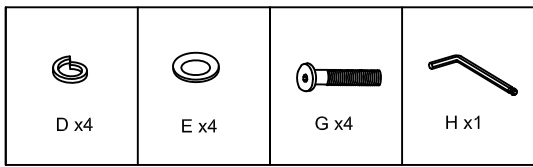


1

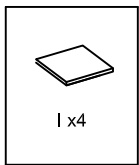
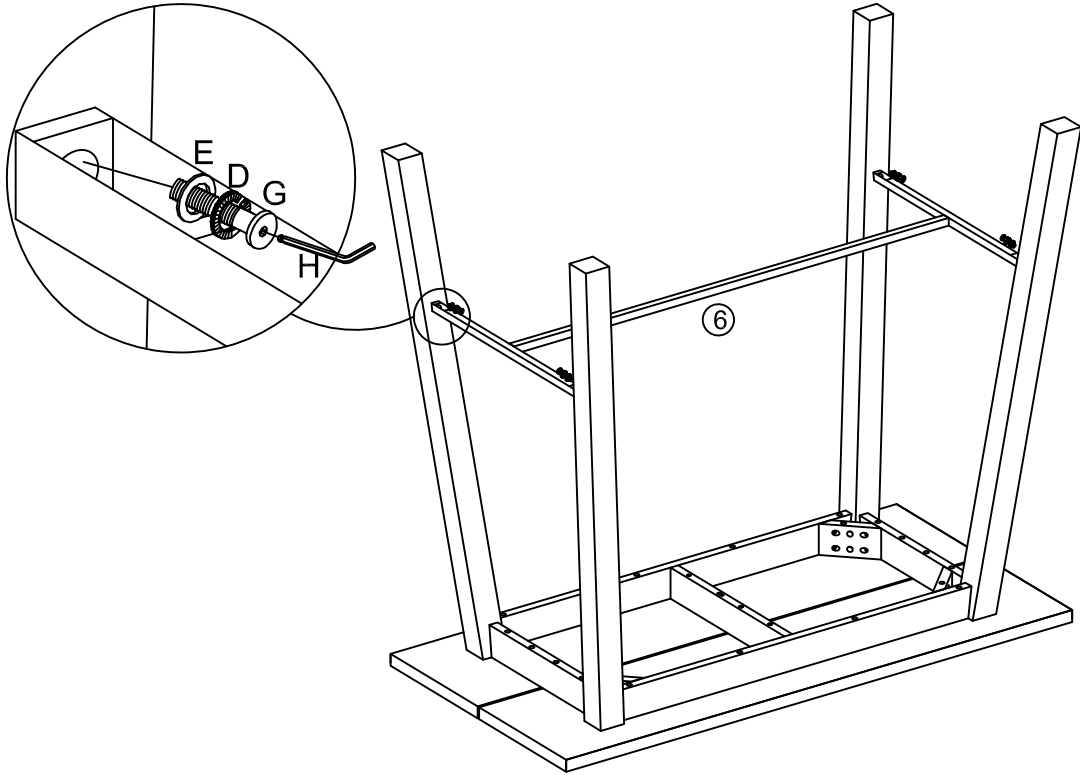


2





3



4

