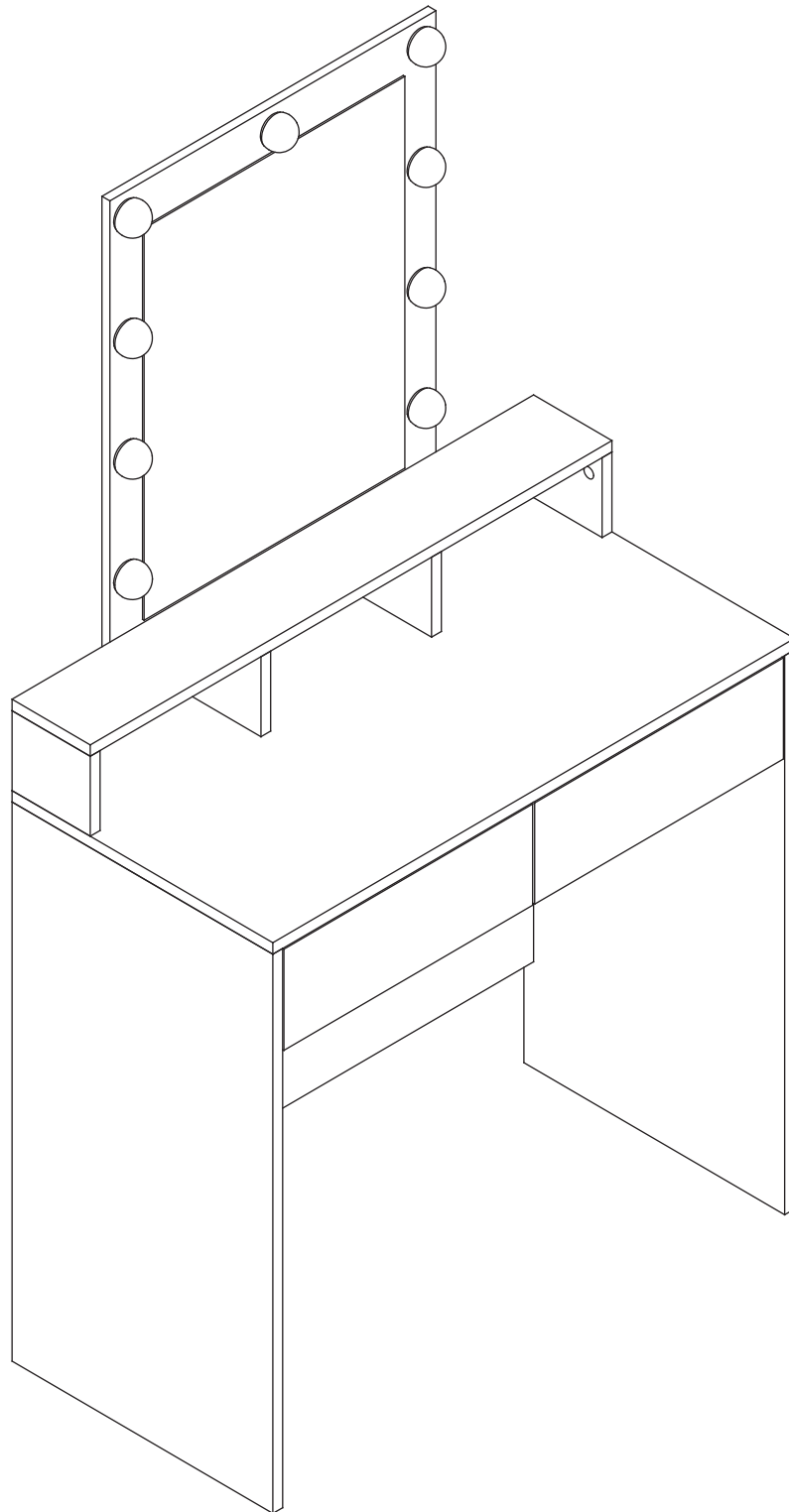
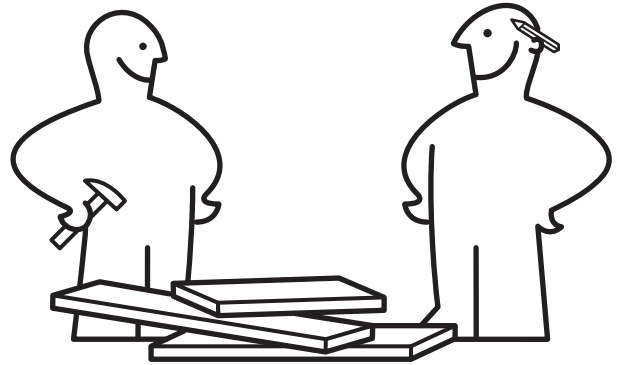
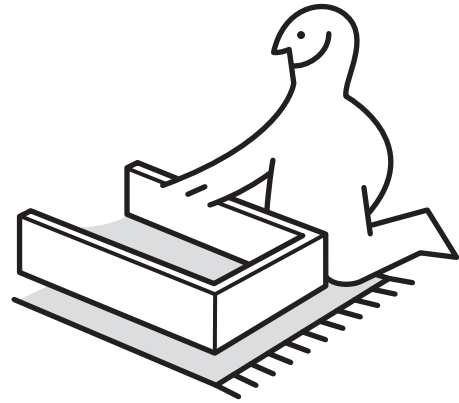
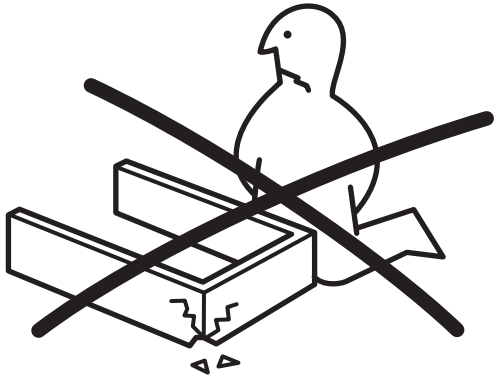


# ASSEMBLY INSTRUCTION



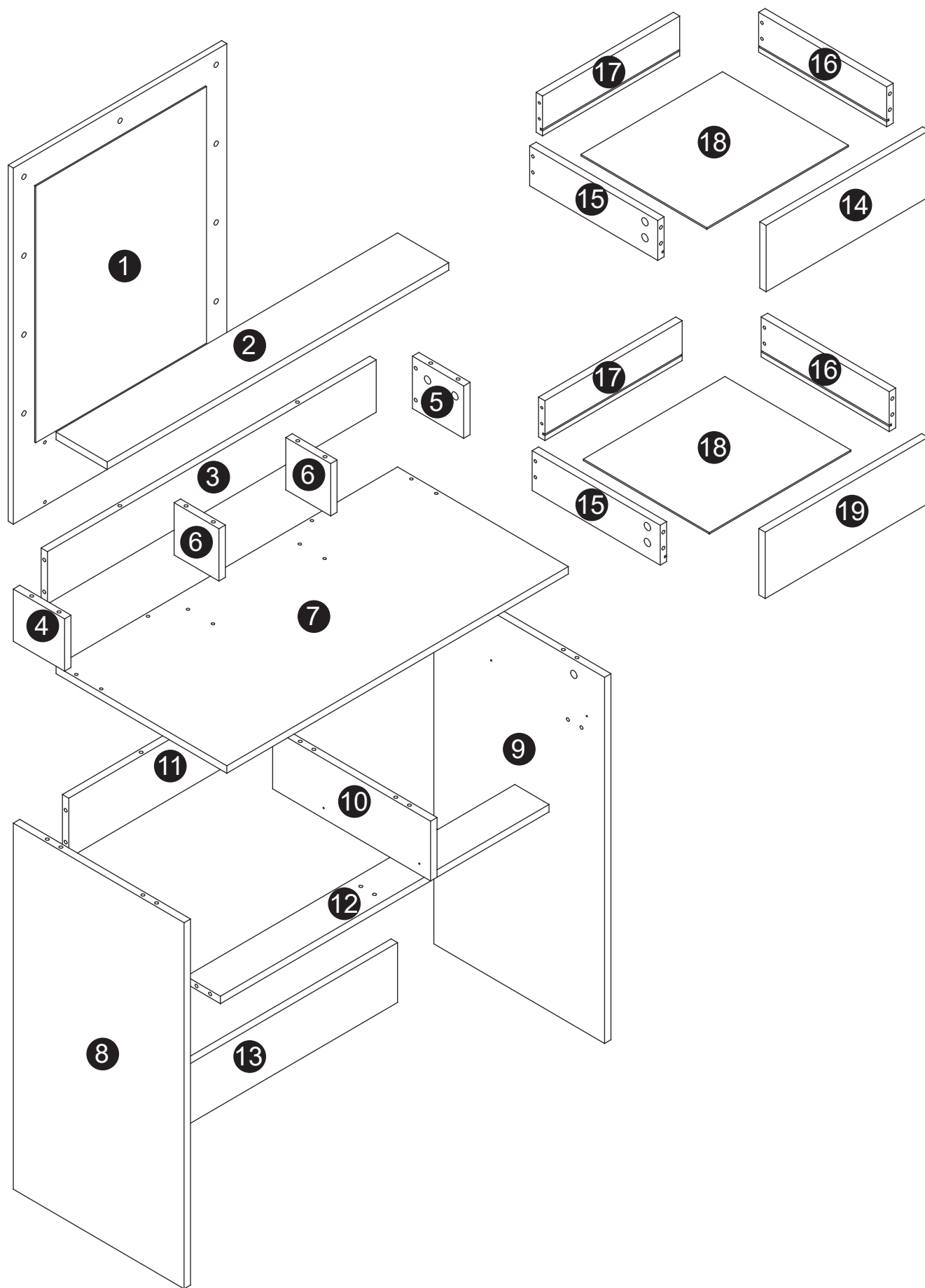


## PRECAUTIONS

1. There are many components and accessories in the package. Each component and accessory is labeled with a letter or a number, check carefully before using any of them. Keep them away from children to prevent accidents.
2. Please install the product on a clean and soft underlay (such as carpet or cardboard) to avoid scratching or damaging the surface of the product.
3. The main components of the product is relatively heavy. Please pay attention to safety during installation.
4. The product is not stable during installation. Please do not move it randomly before it is completely installed.

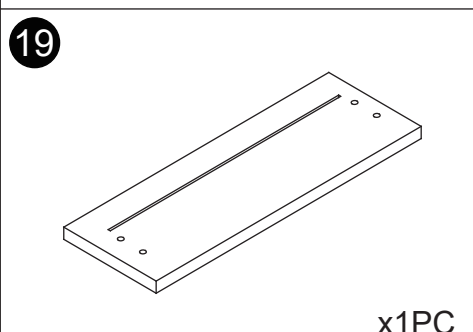
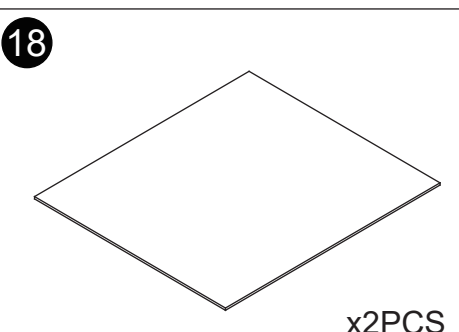
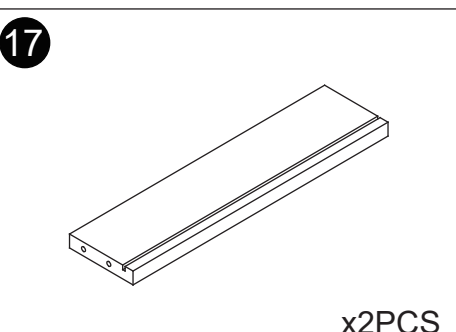
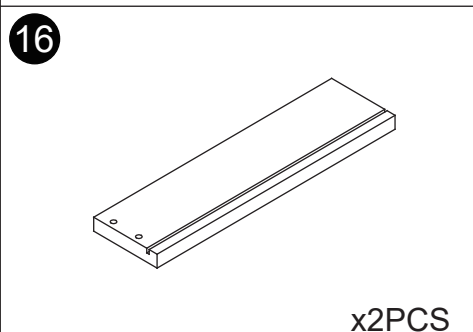
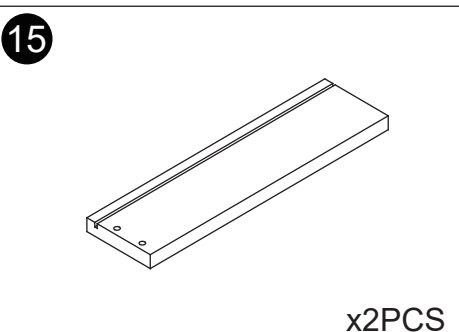
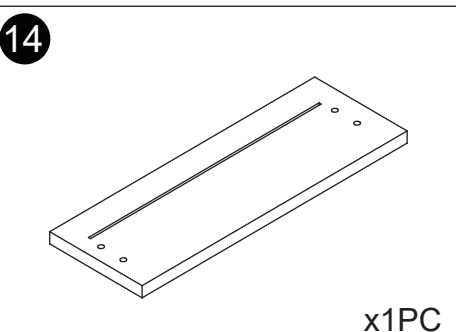
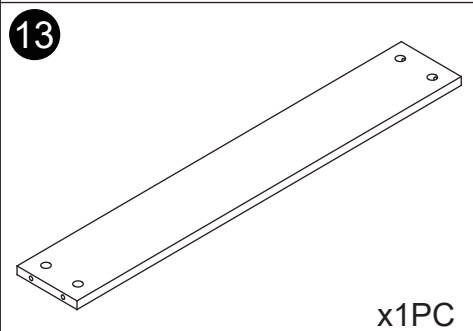
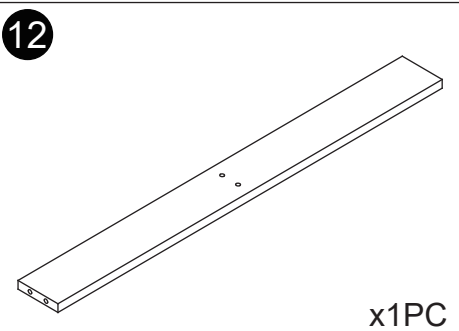
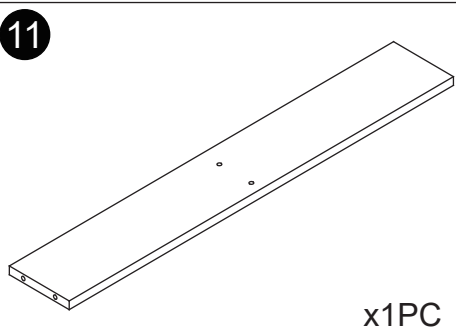
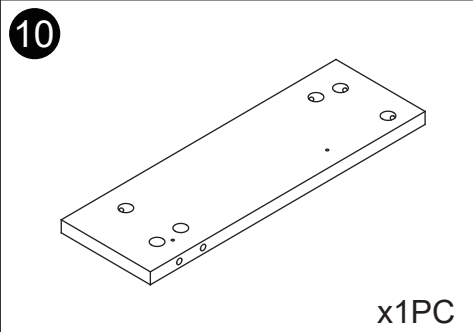
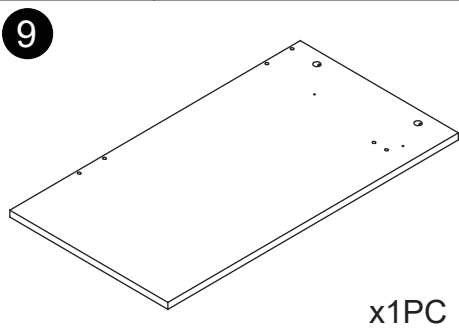
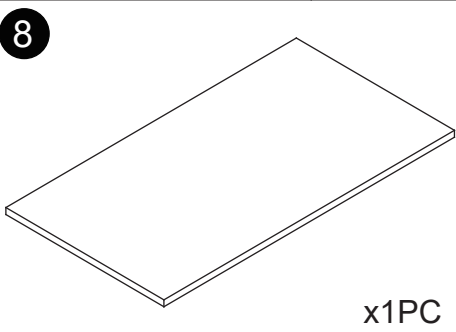
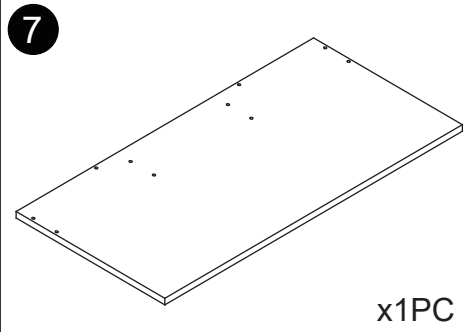
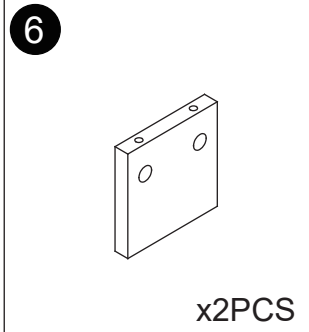
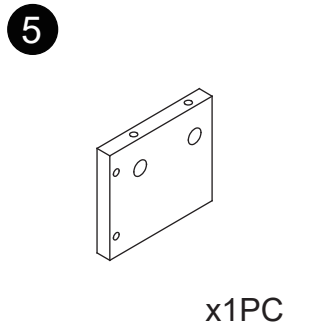
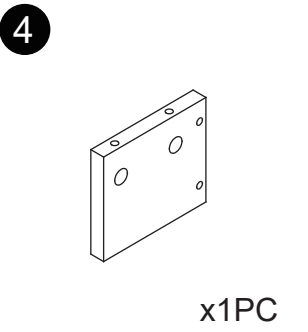
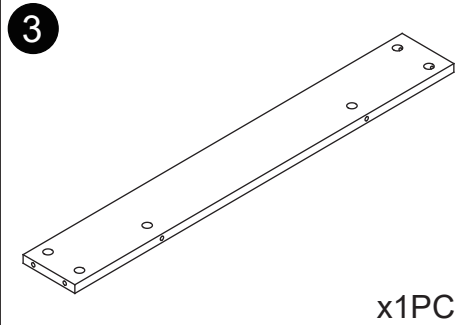
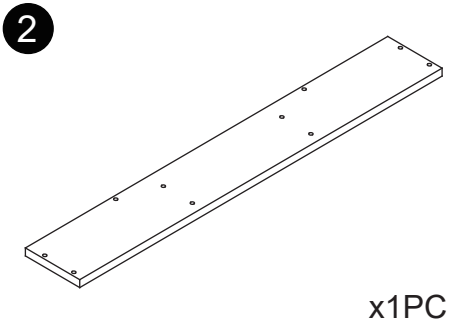
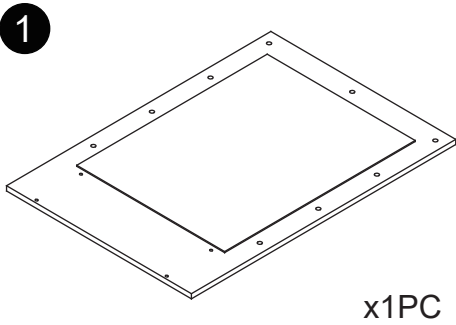
**\*PLEASE BE SURE TO FOLLOW THE INSTALLATION STEPS IN THE MANUAL TO AVOID UNNECESSARY LOSSES CAUSED BY IMPROPER INSTALLATION.**

# PANEL LAYOUT

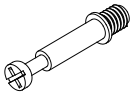

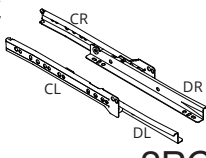
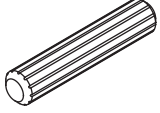

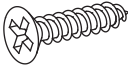
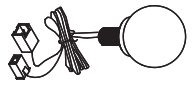





Due to the large number of boards, in order to facilitate the installation, please place the boards in order after opening the parcel and then start the installation.

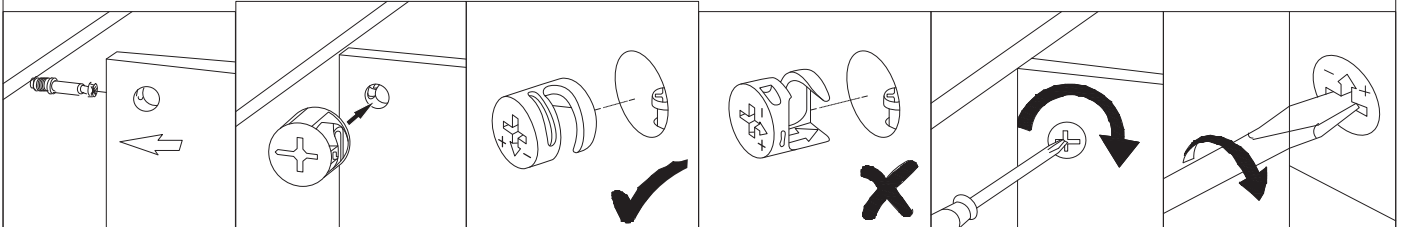
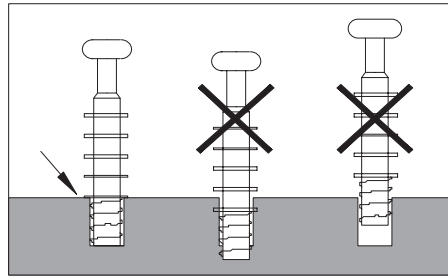
PANEL LIST



# HARDWARE LIST

<b>A</b>  46(+1)PCS	<b>B</b>  46(+1)PCS	<b>C</b>  2PCS	<b>D</b>  6PCS	<b>E</b>  M5x40mm 22PCS
<b>F</b>  16(+1)PCS	<b>G</b>  9PCS	<b>H</b>  9PCS	<b>I</b>  1PC	<b>J</b>  26(+1)PCS

Installation method of three in one rod and buckle

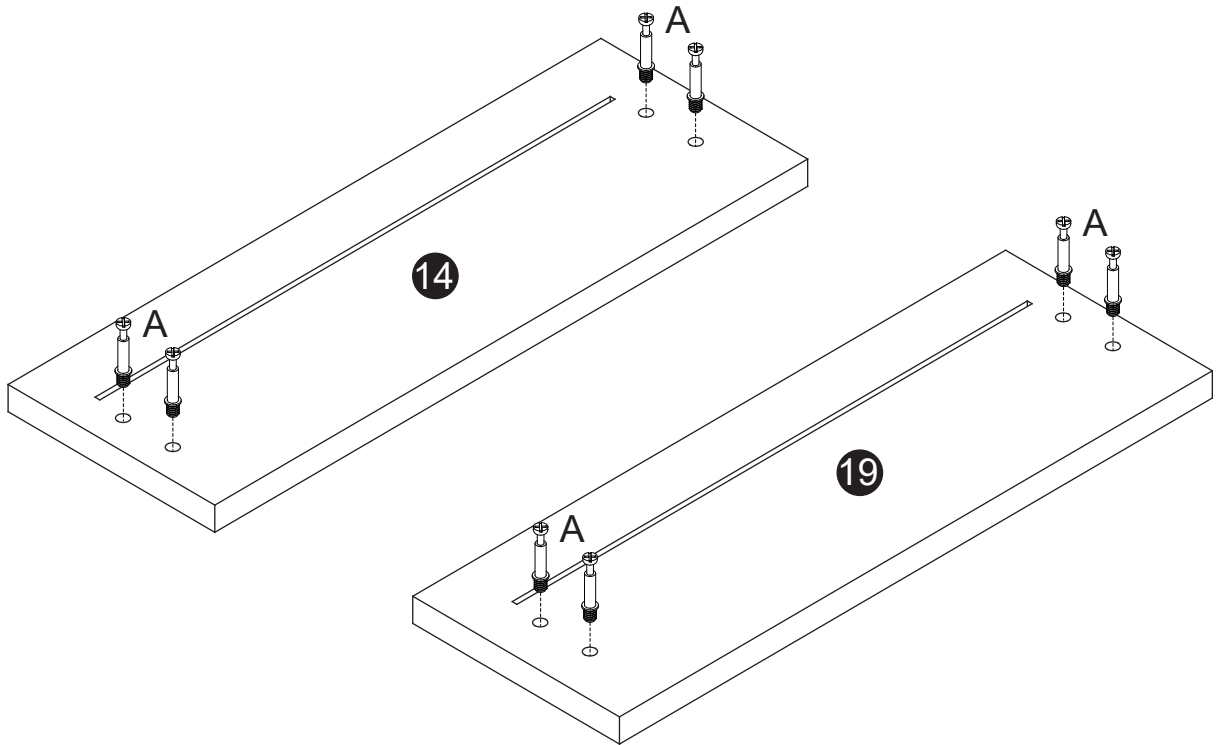


**DO NOT CLIMB!**

# INSTALLATION STEPS

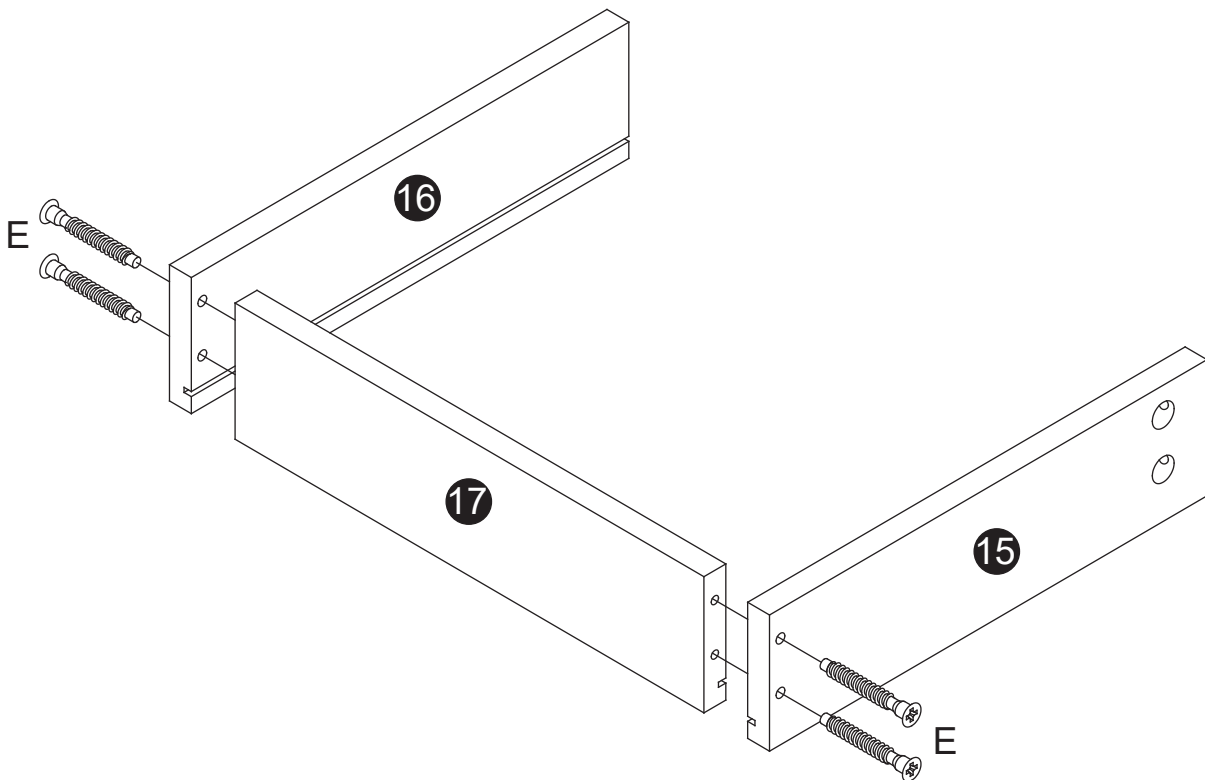
## STEP 1

Ax8



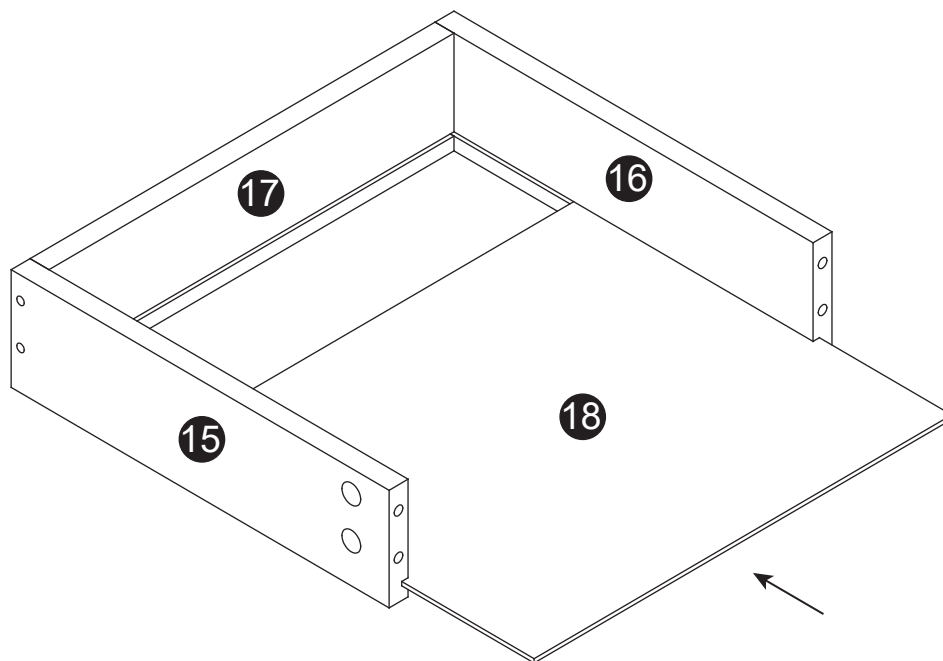
## STEP 2

Ex8



x2

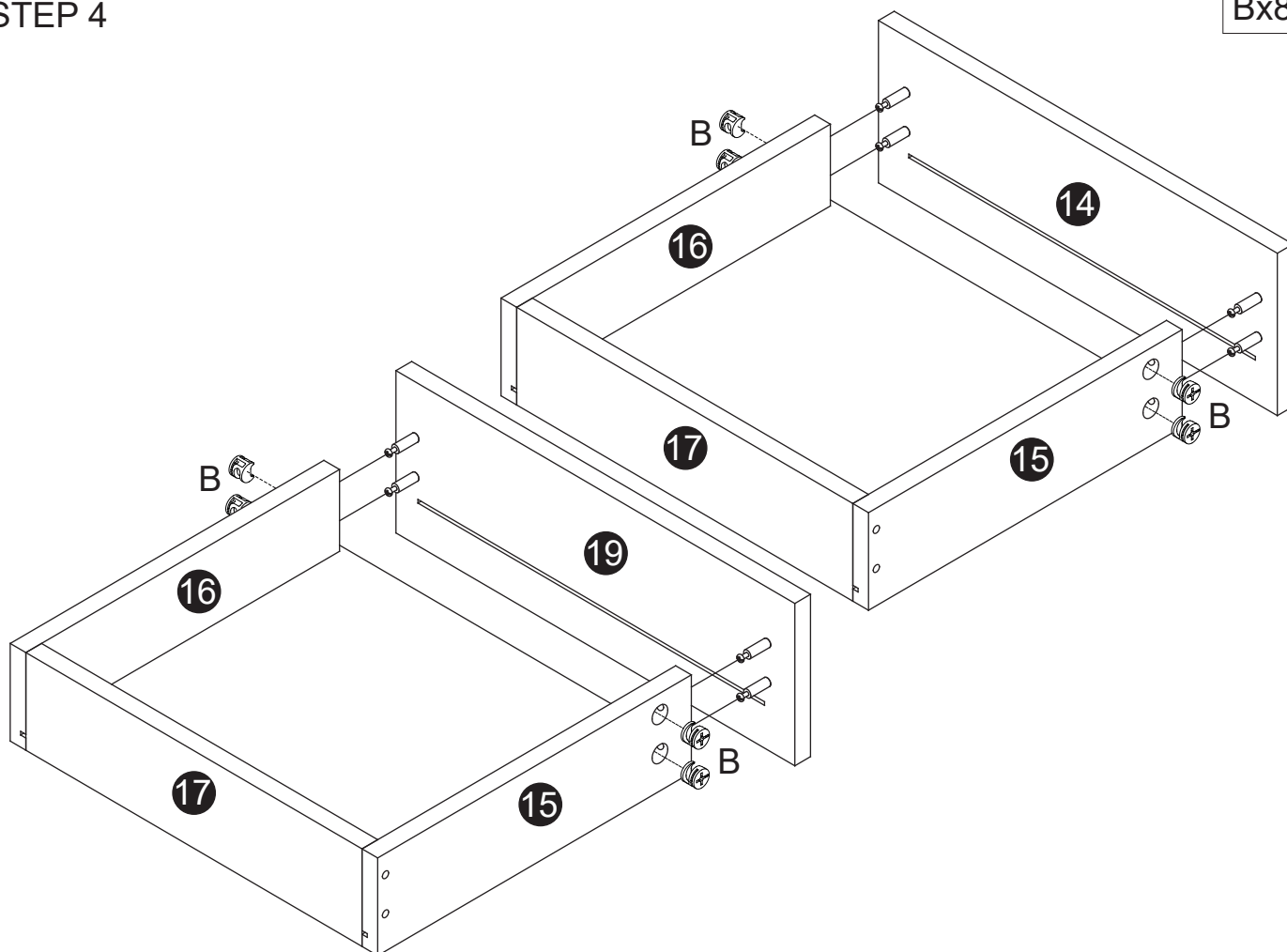
STEP 3



x2

STEP 4

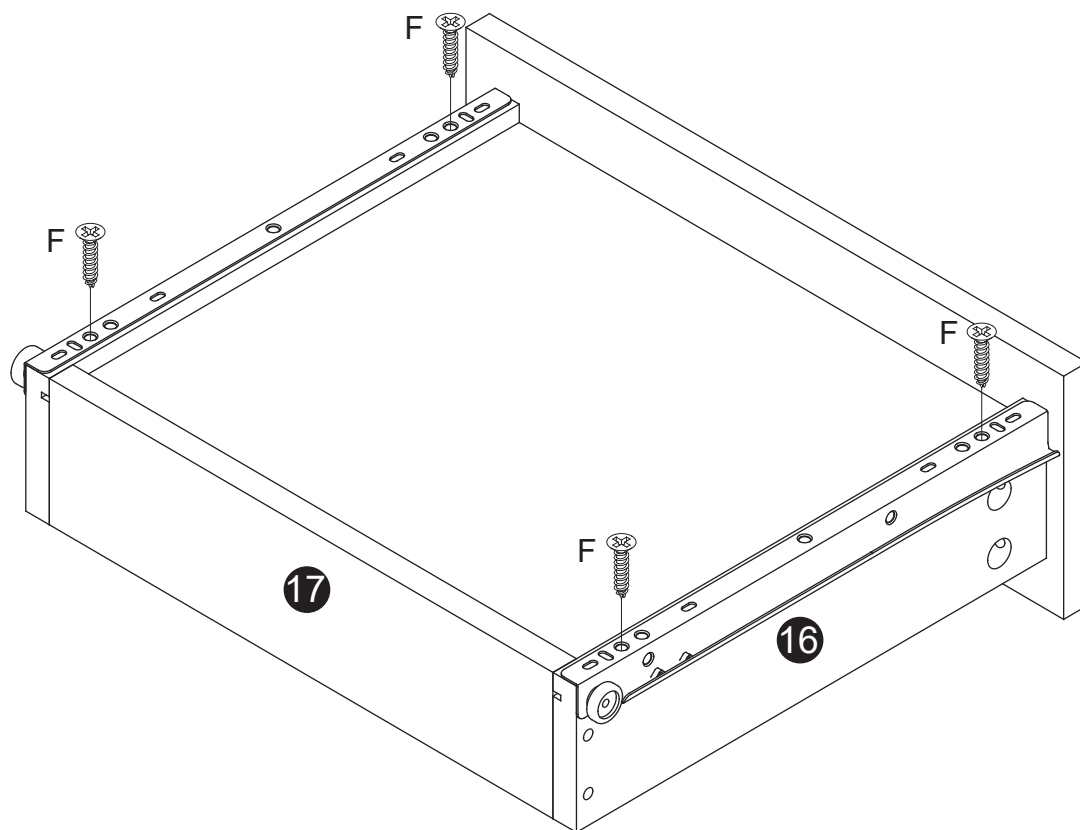
Bx8



STEP 5

Cx2

Fx8

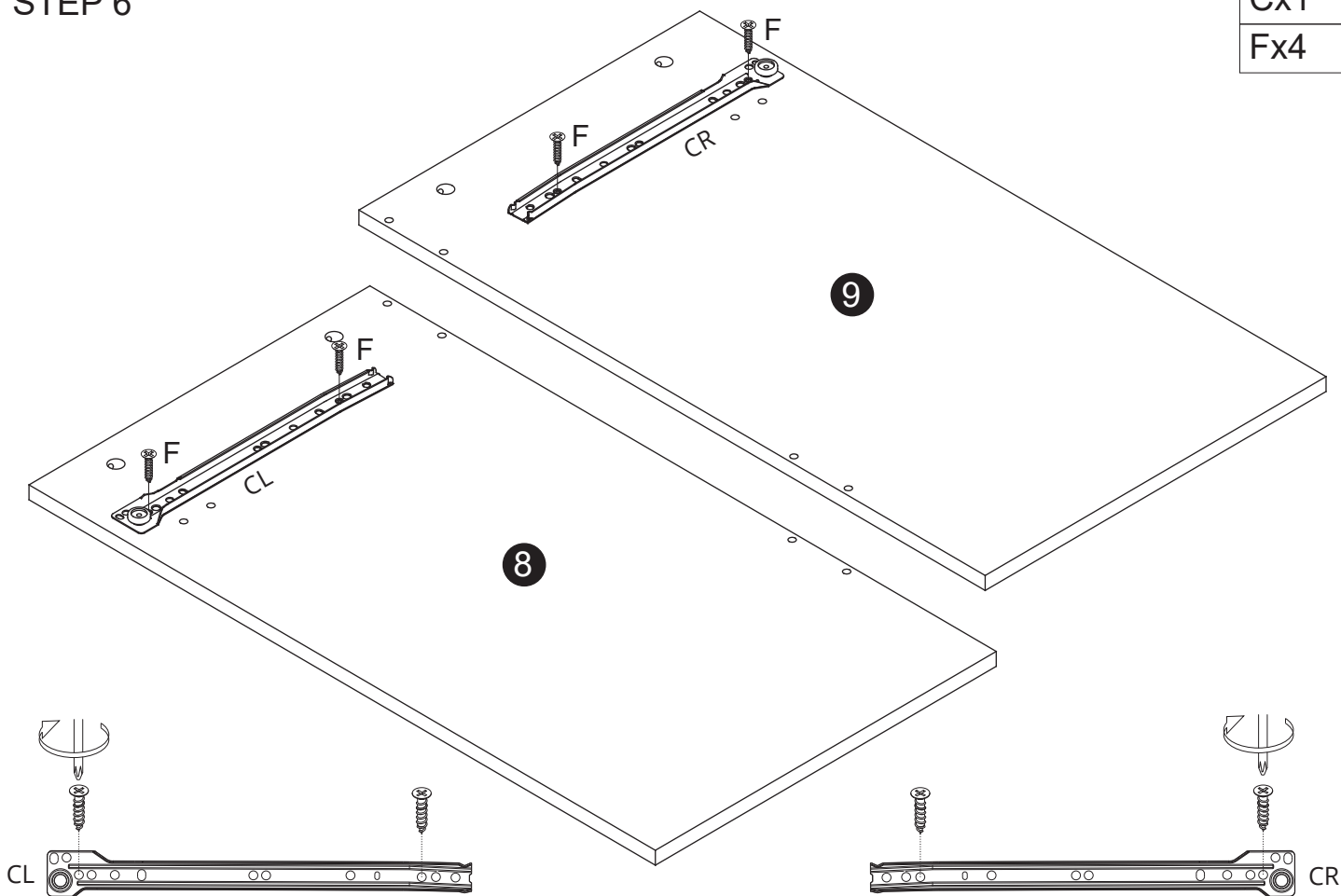


x2

STEP 6

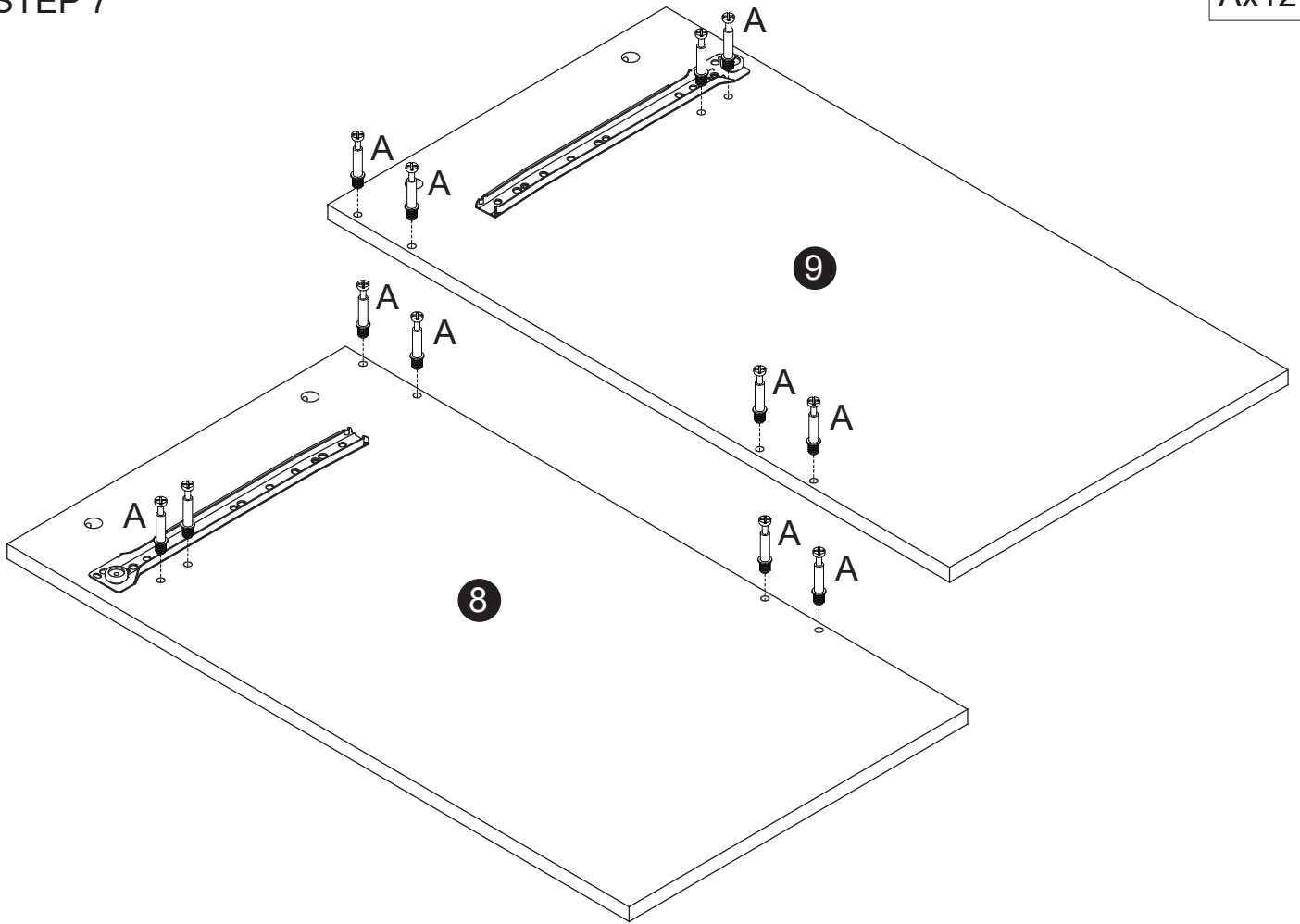
Cx1

Fx4



STEP 7

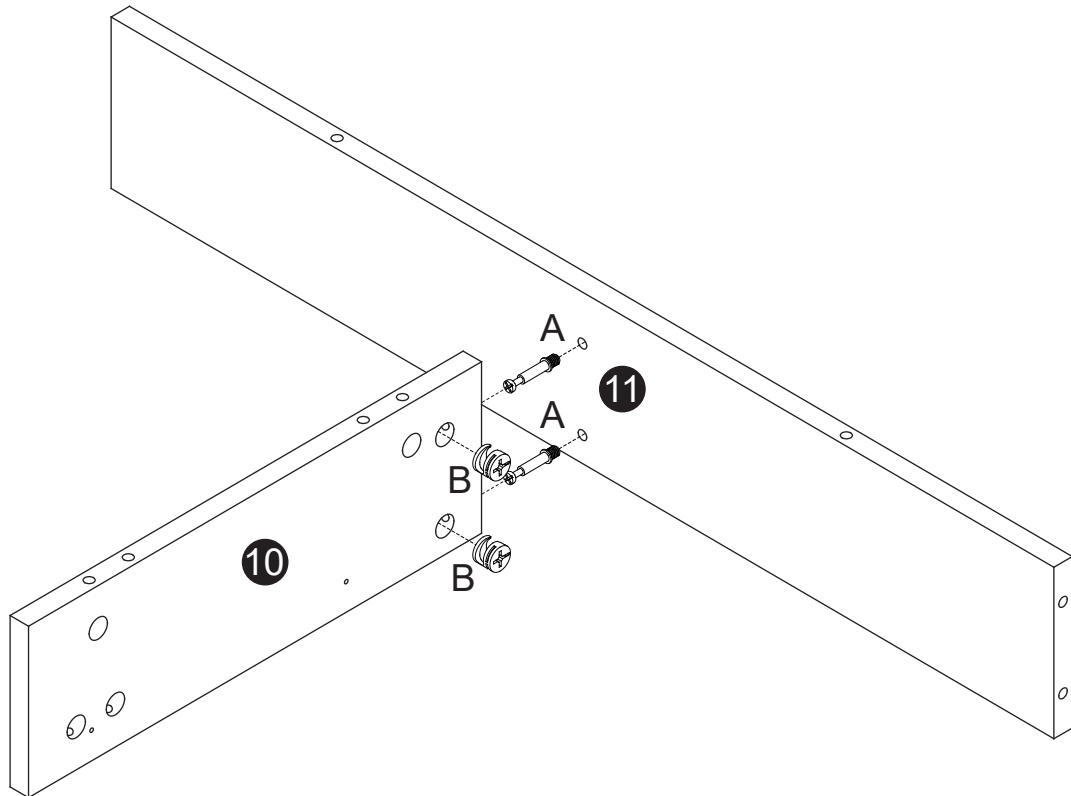
Ax12



STEP 8

Ax2

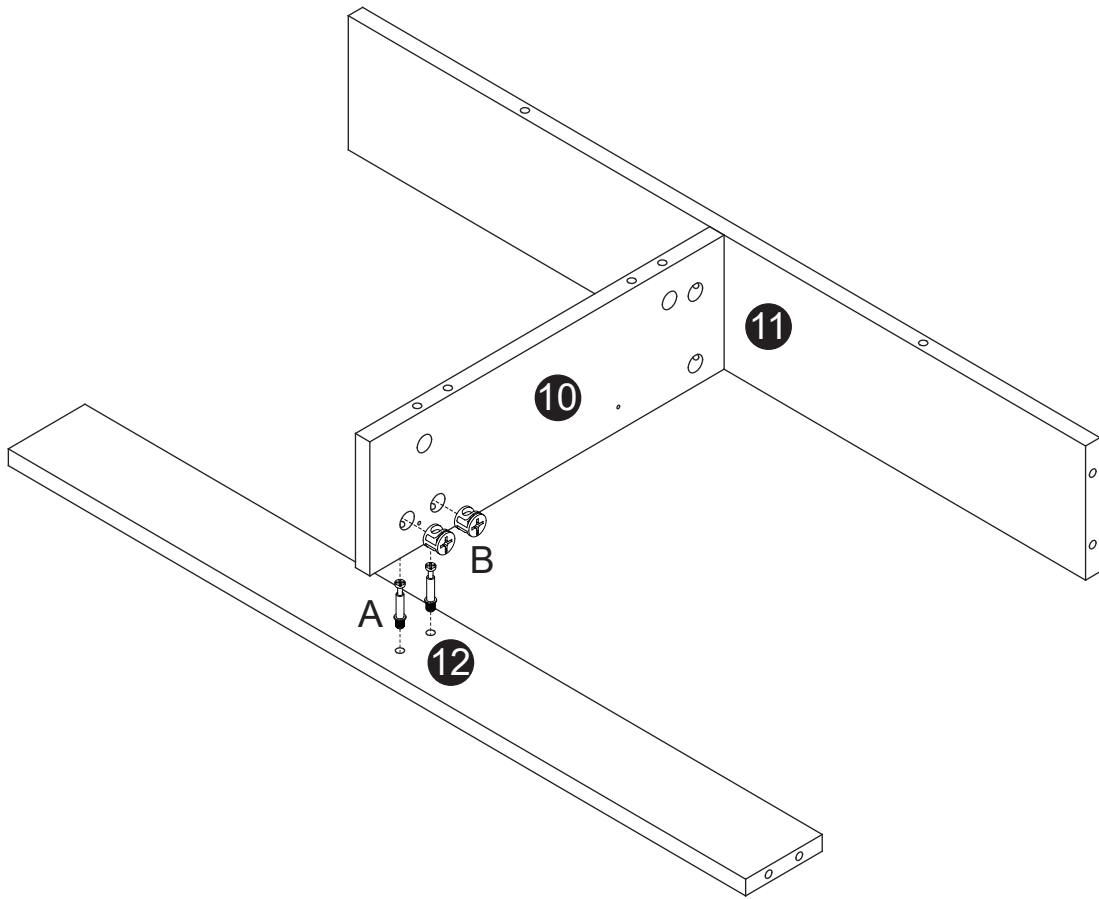
Bx2



STEP 9

Ax2

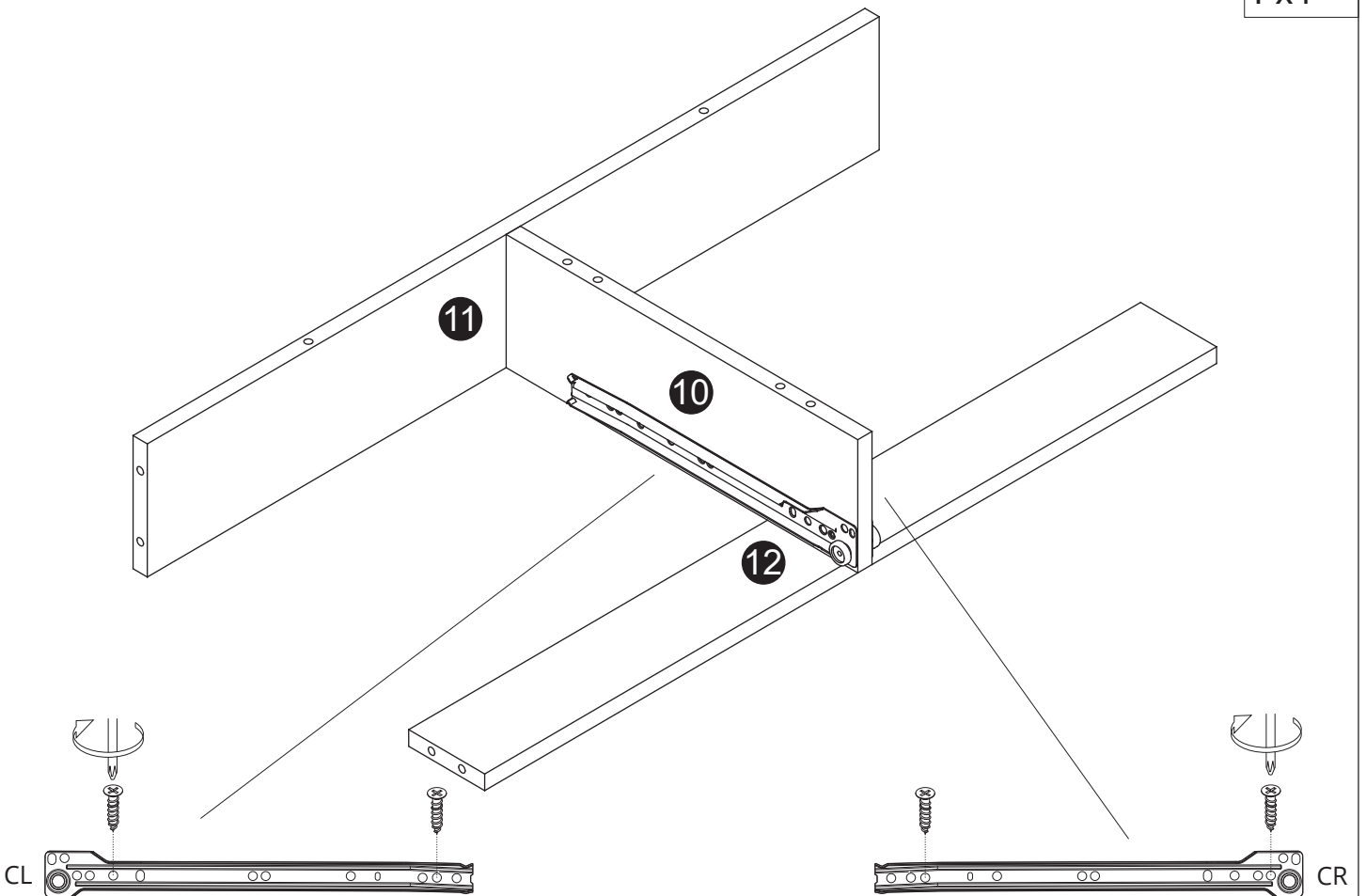
Bx2



STEP 10

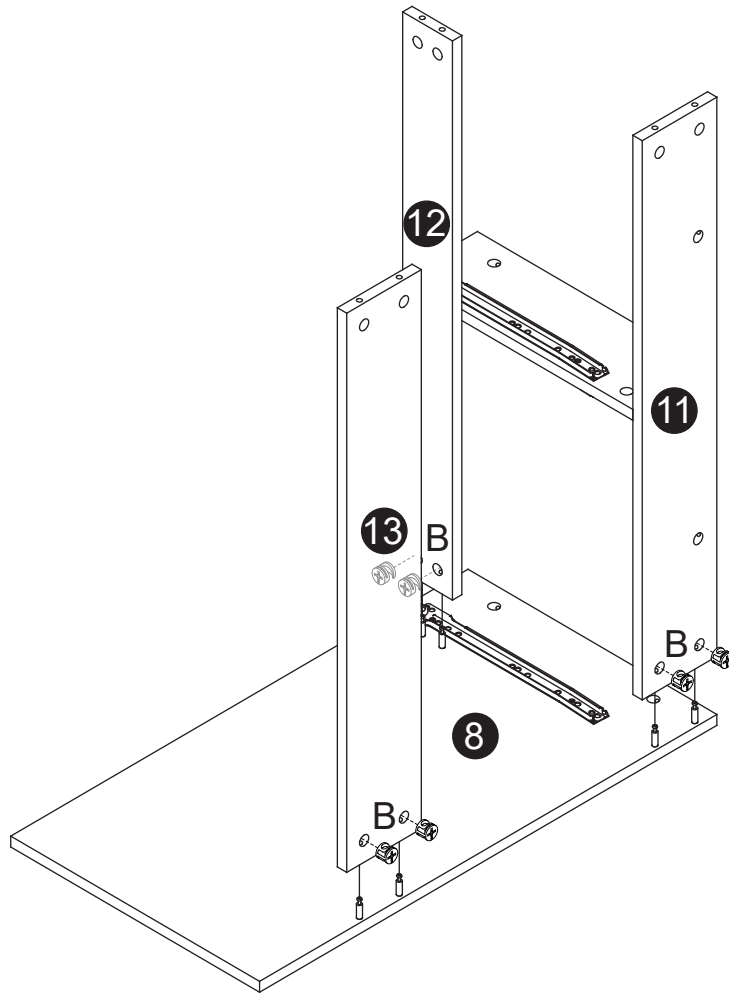
Cx1

Fx4



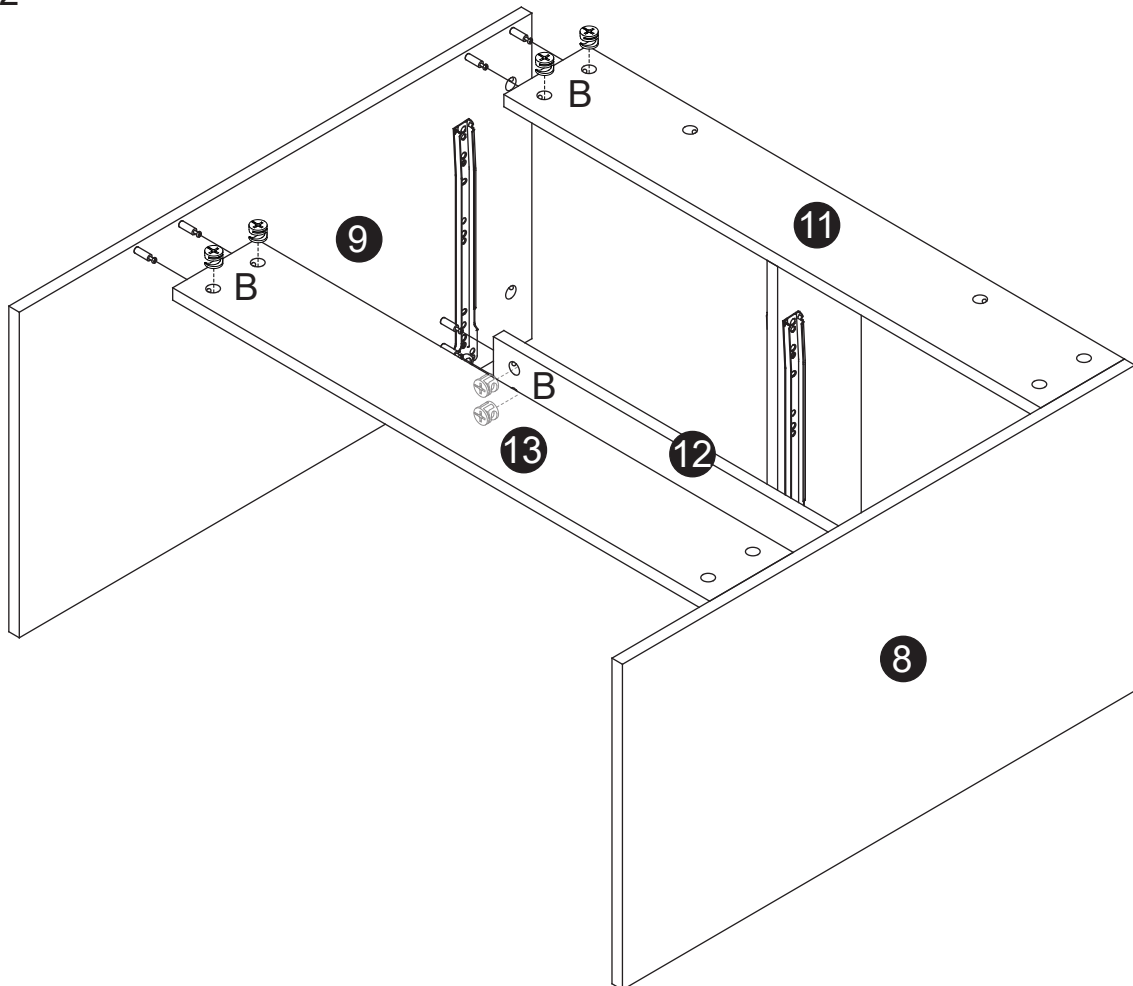
STEP 11

Bx6



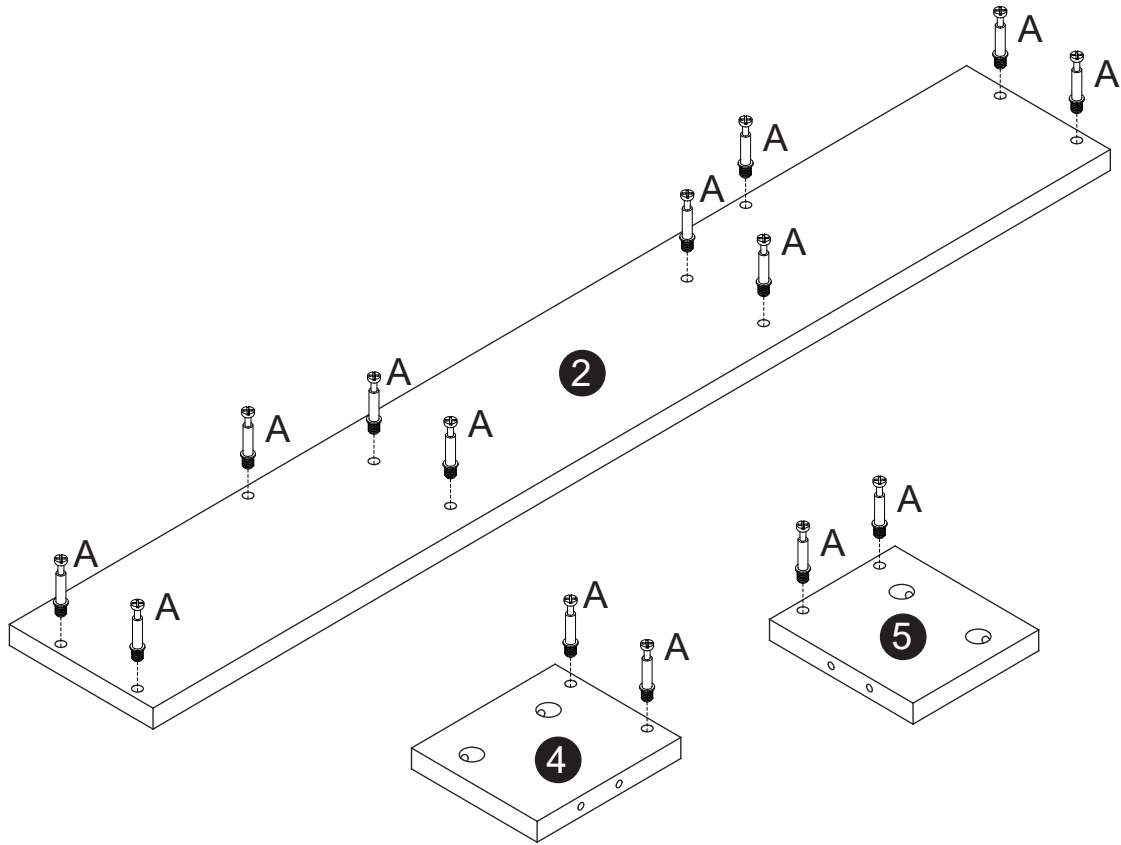
STEP 12

Bx6



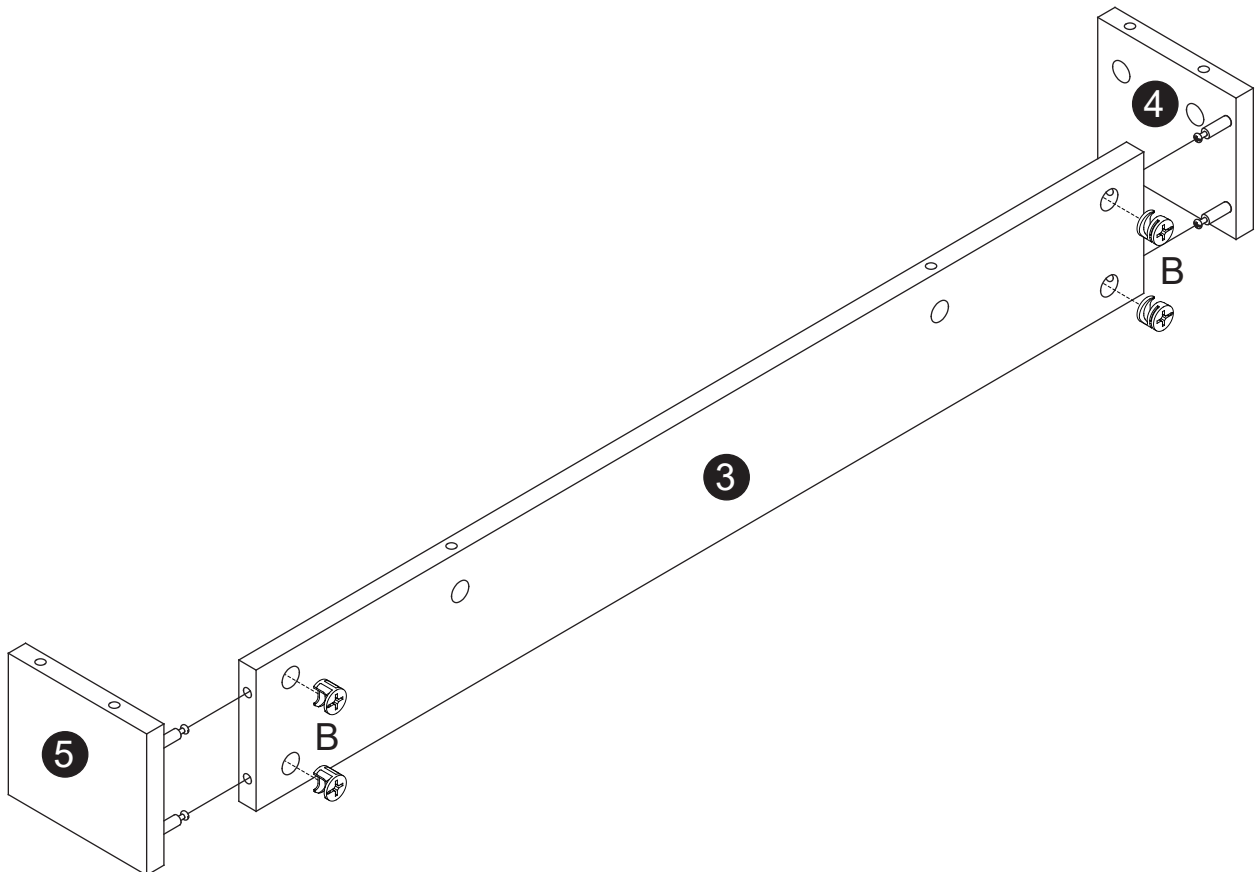
STEP 13

Ax14



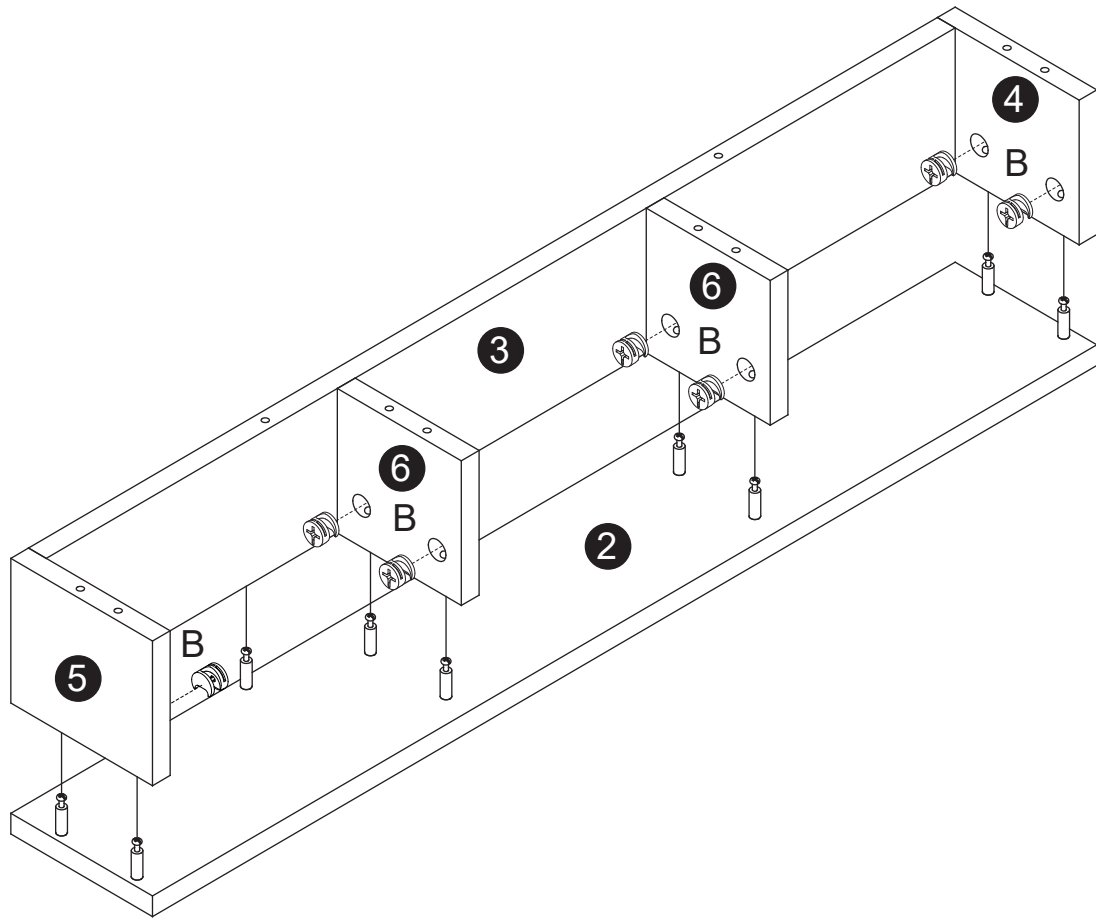
STEP 14

Bx4



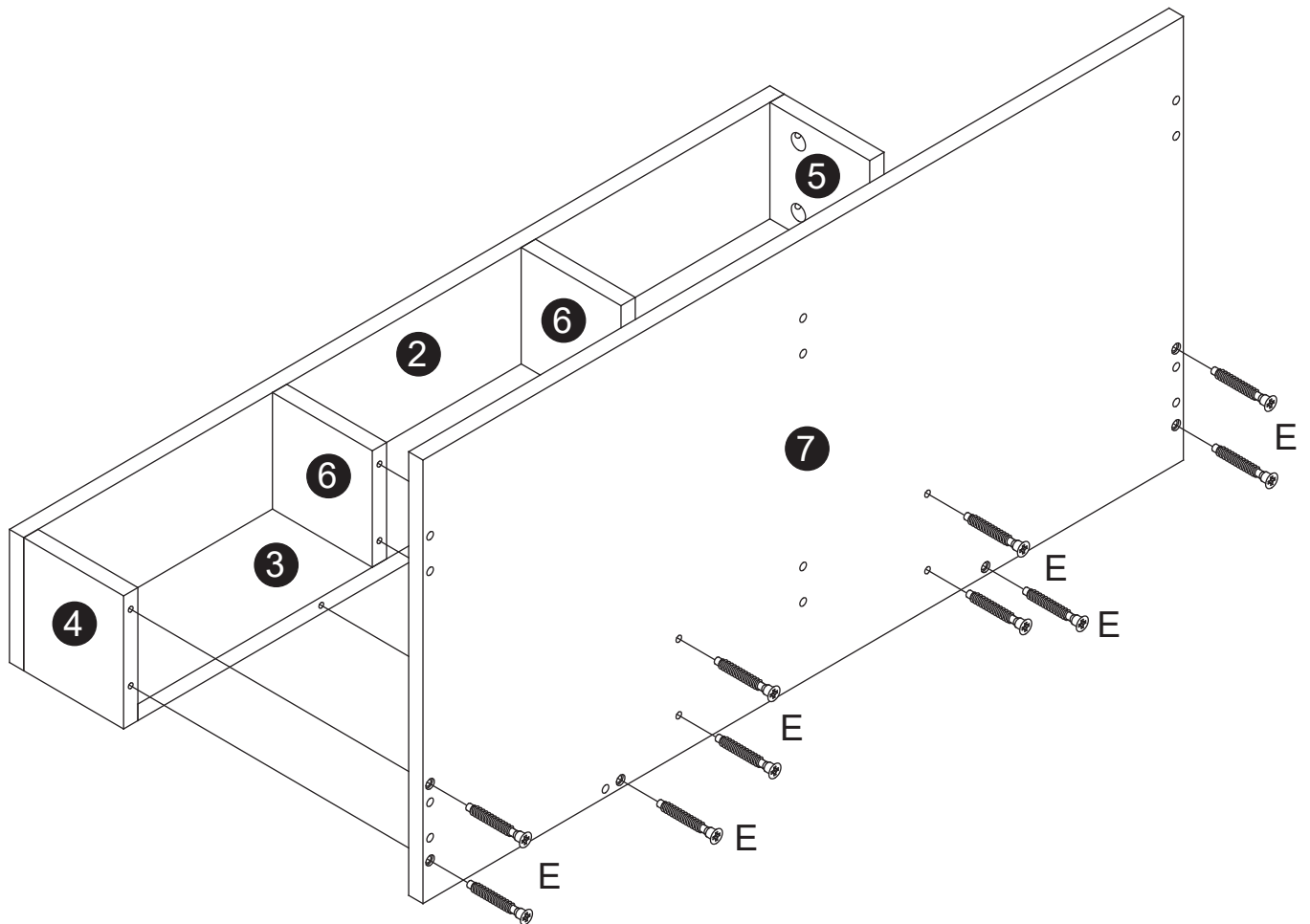
STEP 15

Bx10



STEP 16

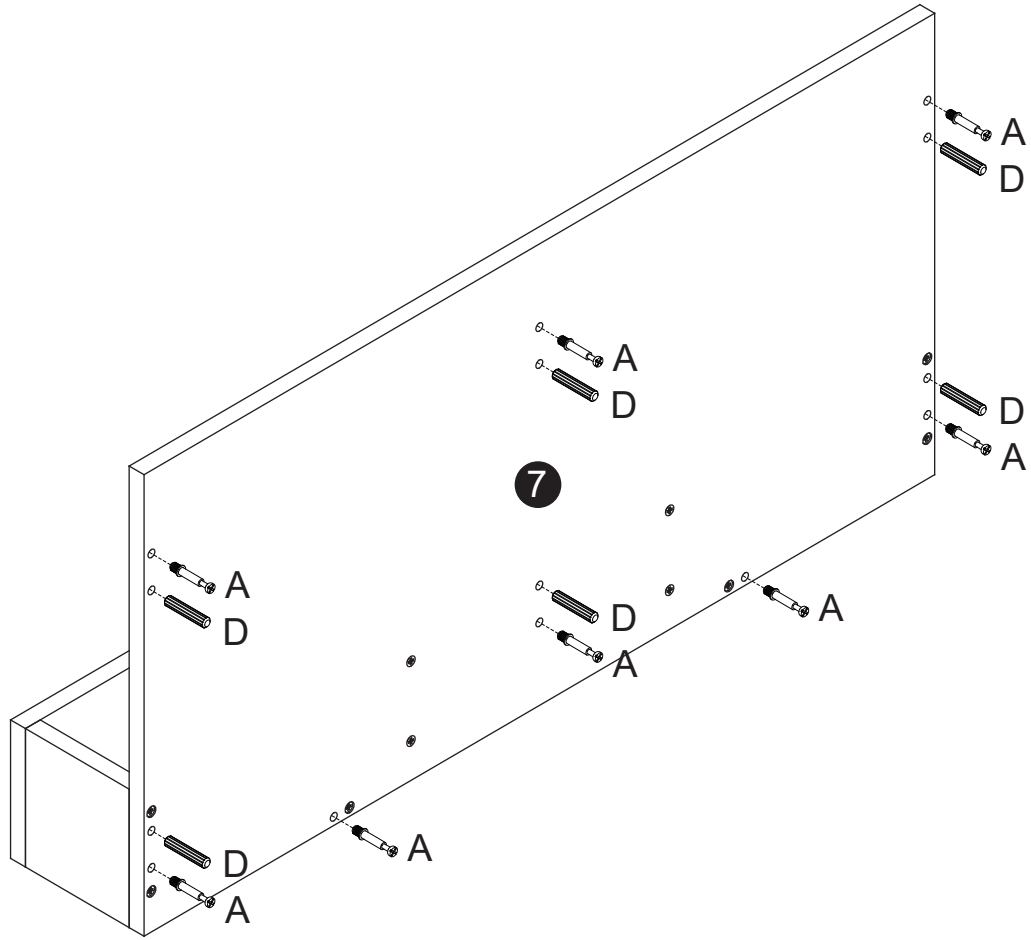
Ex10



STEP 17

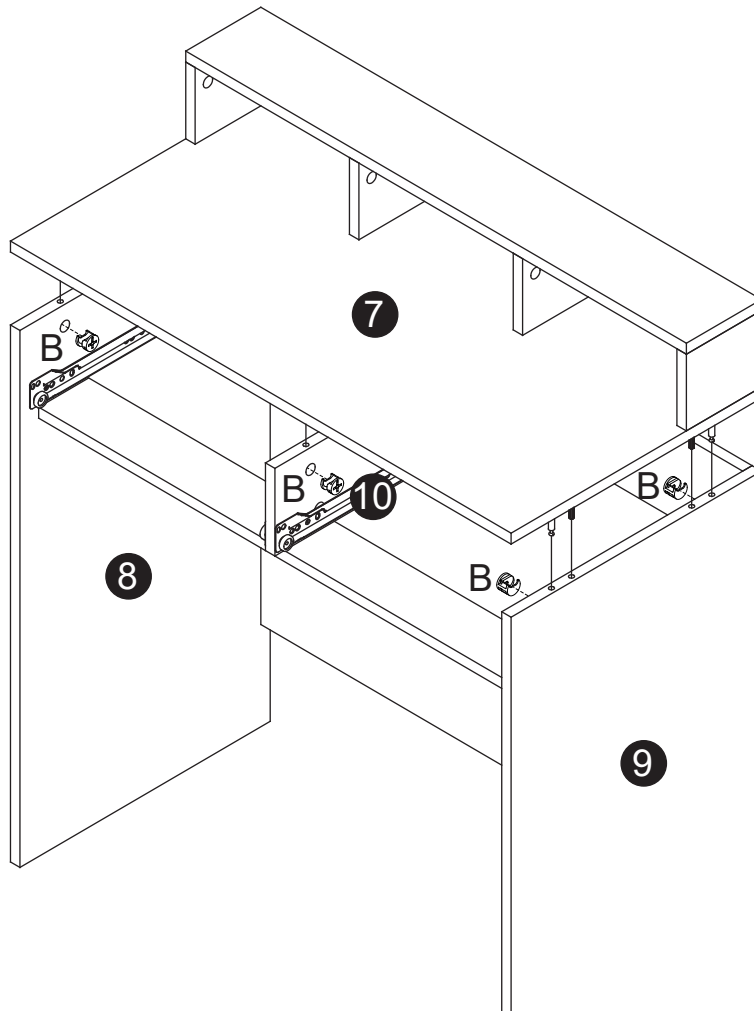
Ax8

Dx6



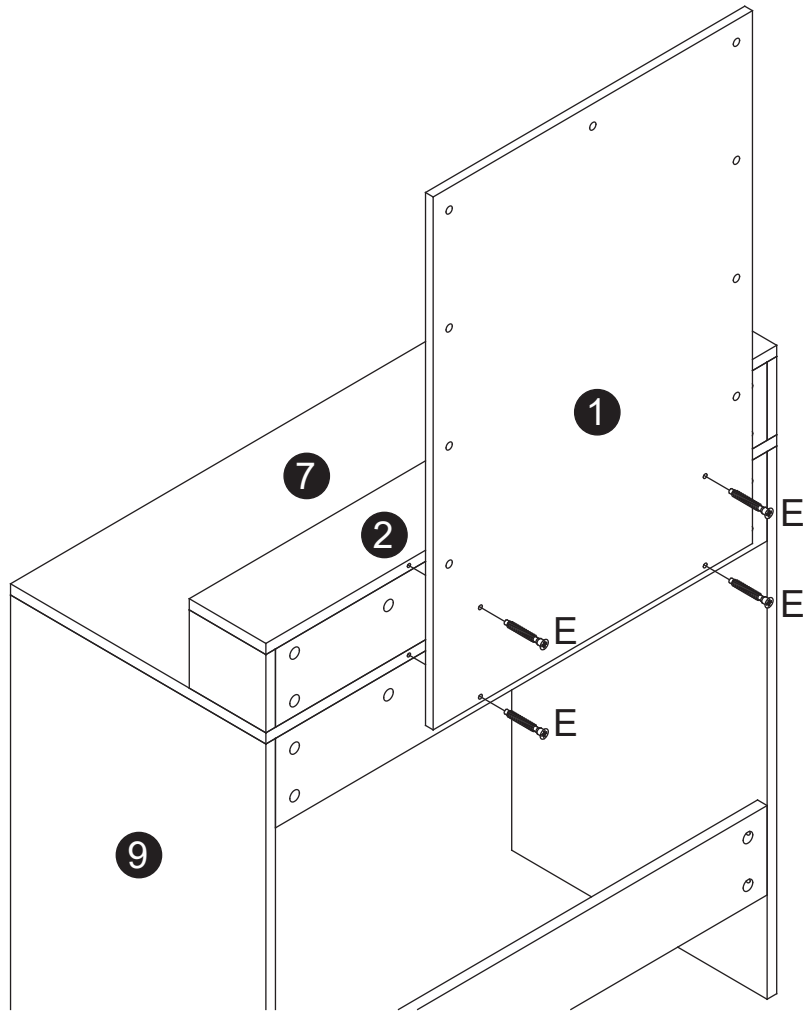
STEP 18

Bx8



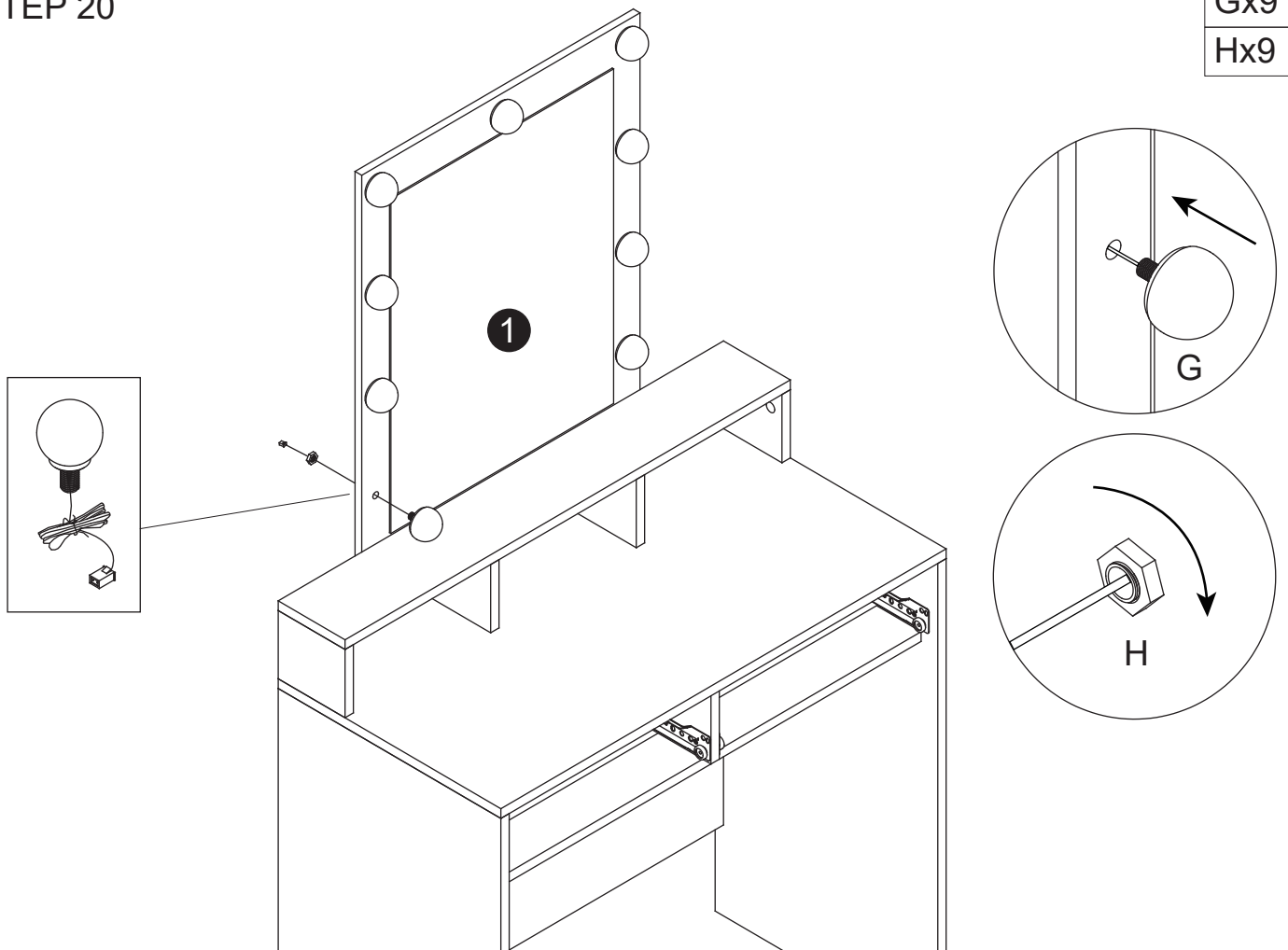
STEP 19

Ex4



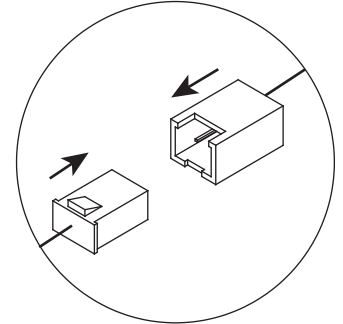
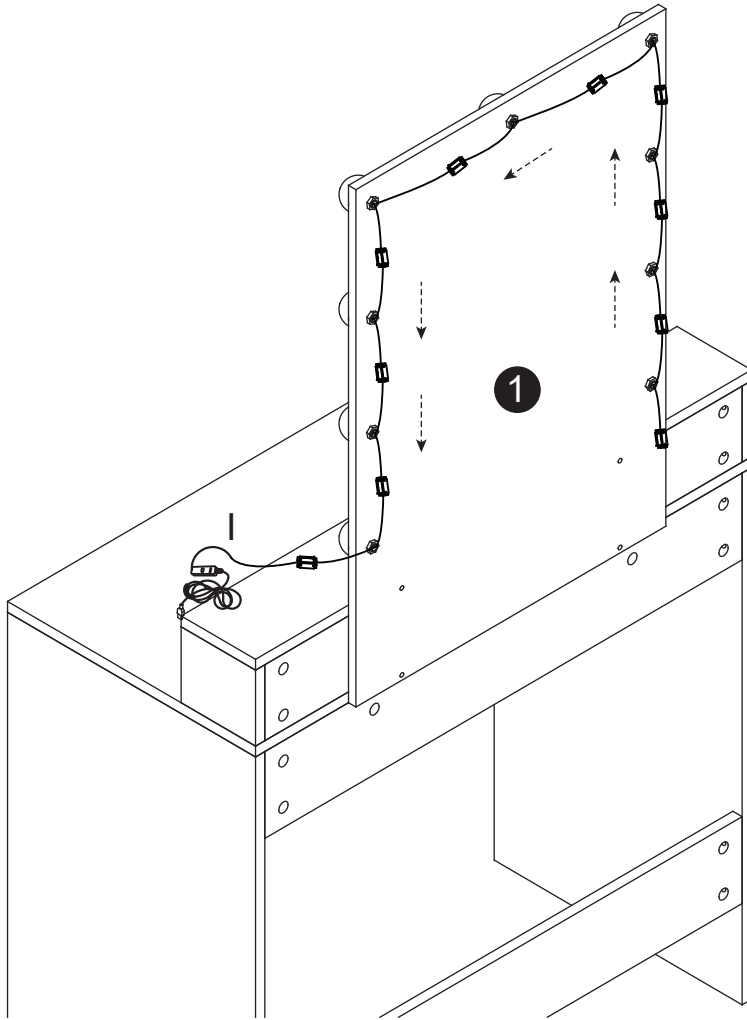
STEP 20

Gx9  
Hx9



STEP 21

1x1



STEP 22

Jx26

