




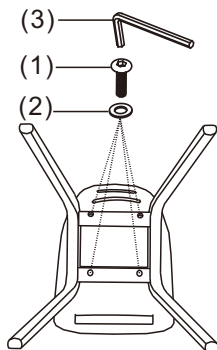


# ASSEMBLY INSTRUCTION



Ax1 	(1)x4  M6*35MM
	(2)x4 
Bx1 	(3)x1 

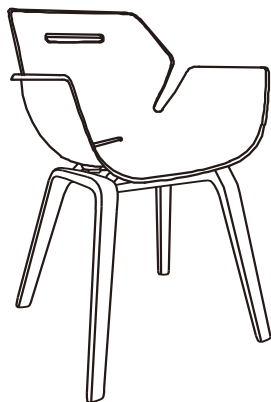
1








2

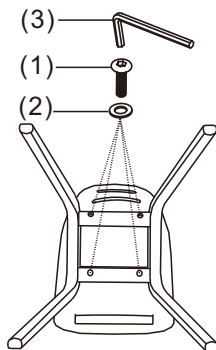


# ASSEMBLY INSTRUCTION



Ax1 	(1)x4  M6*35MM
	(2)x4 
Bx1 	(3)x1 

1



2

