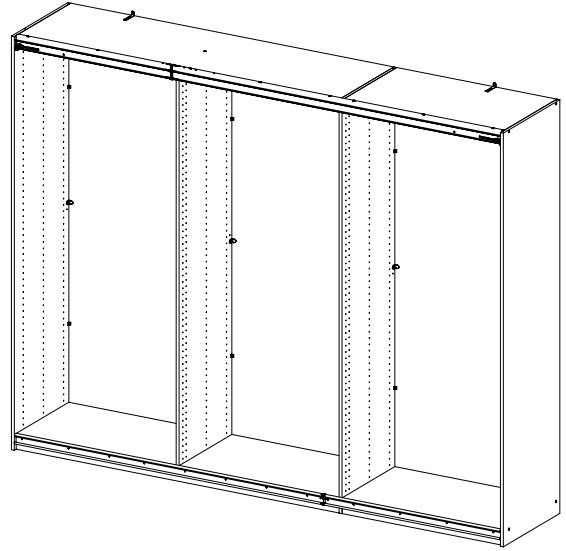
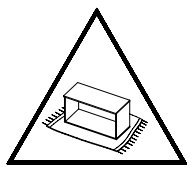
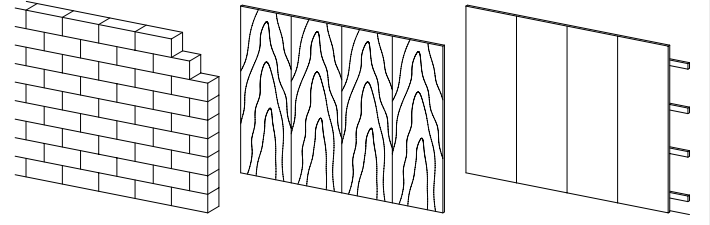
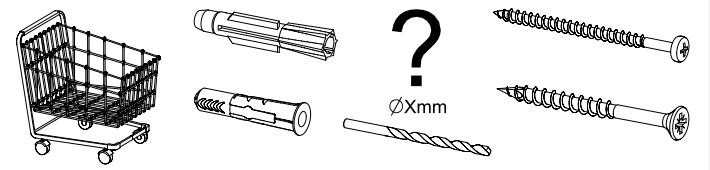
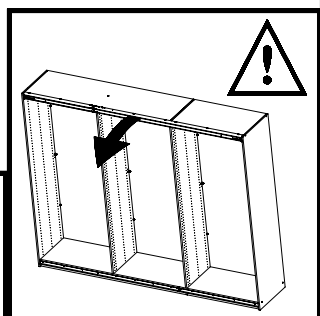
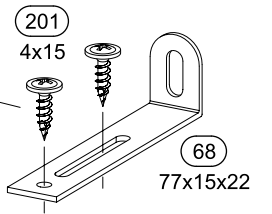
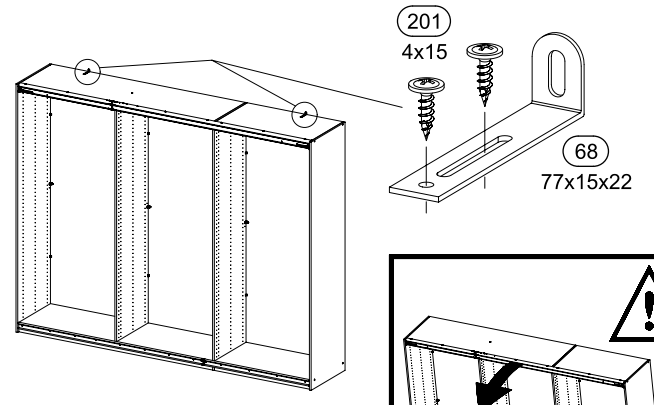


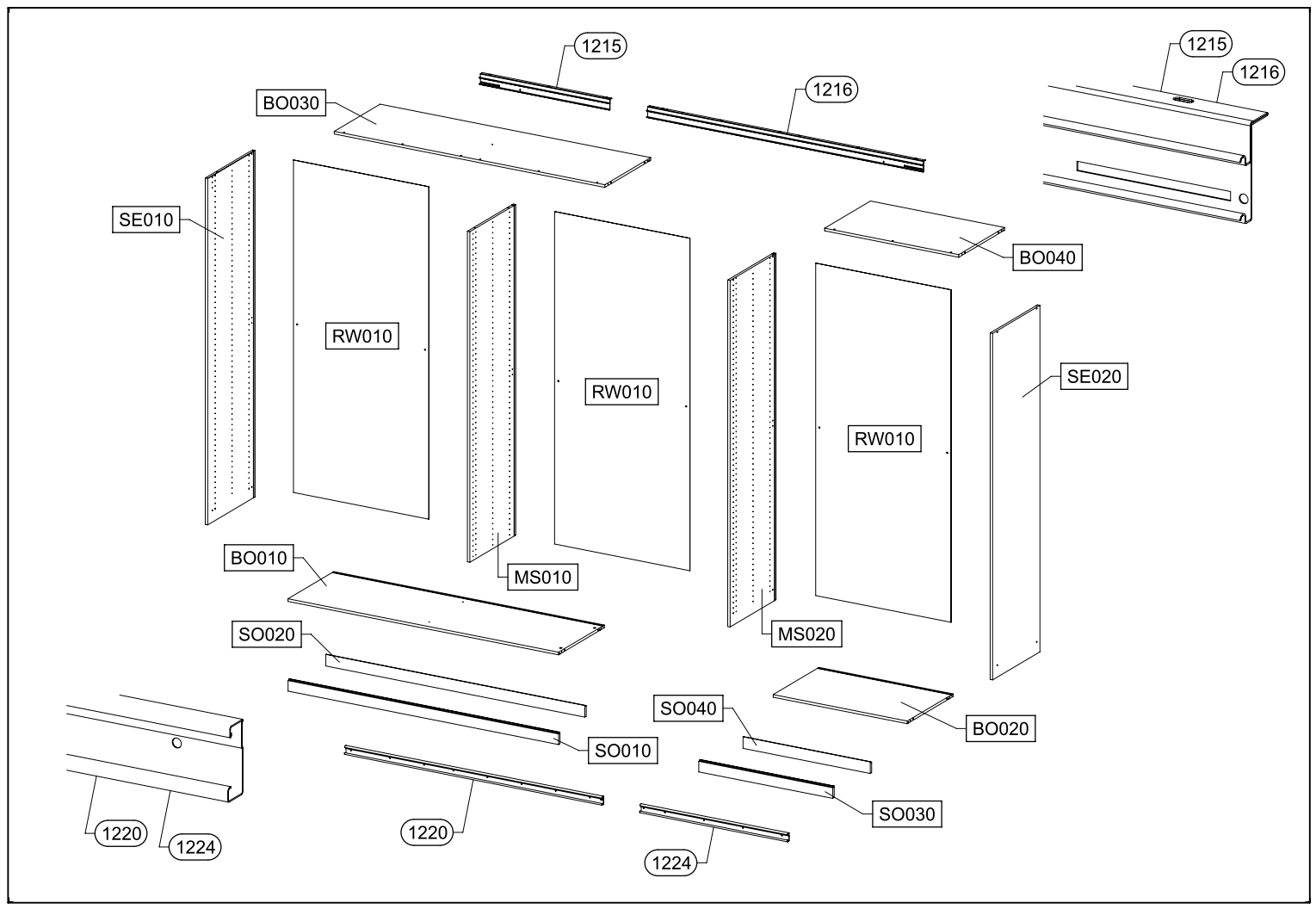
2-3h



M2583

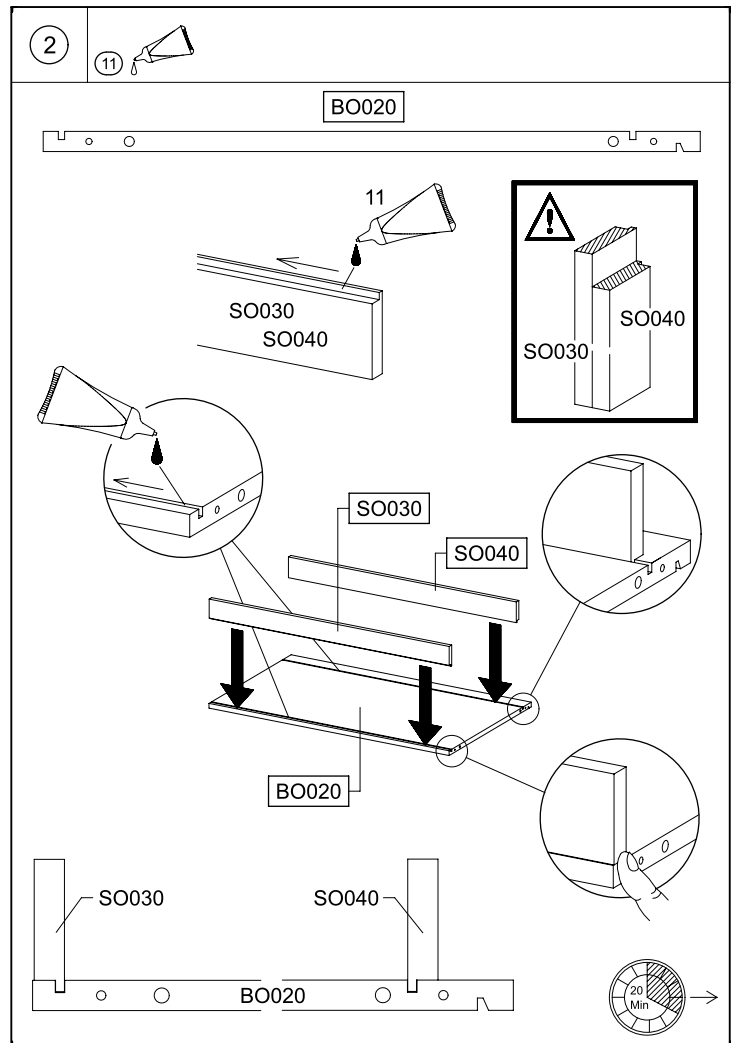
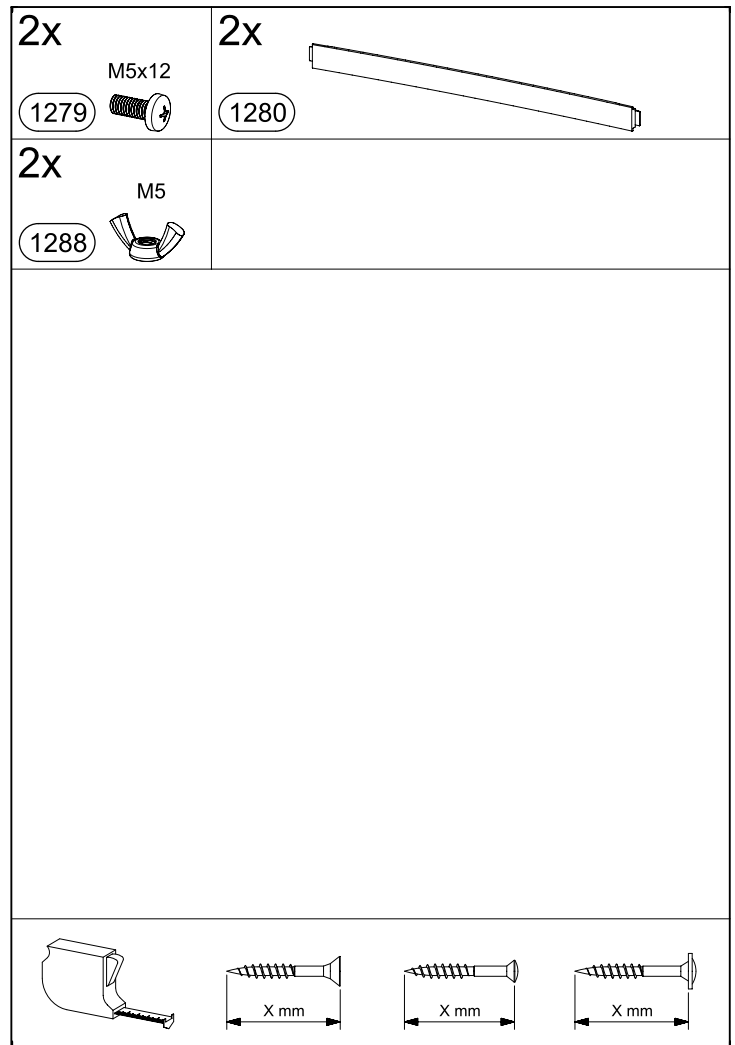
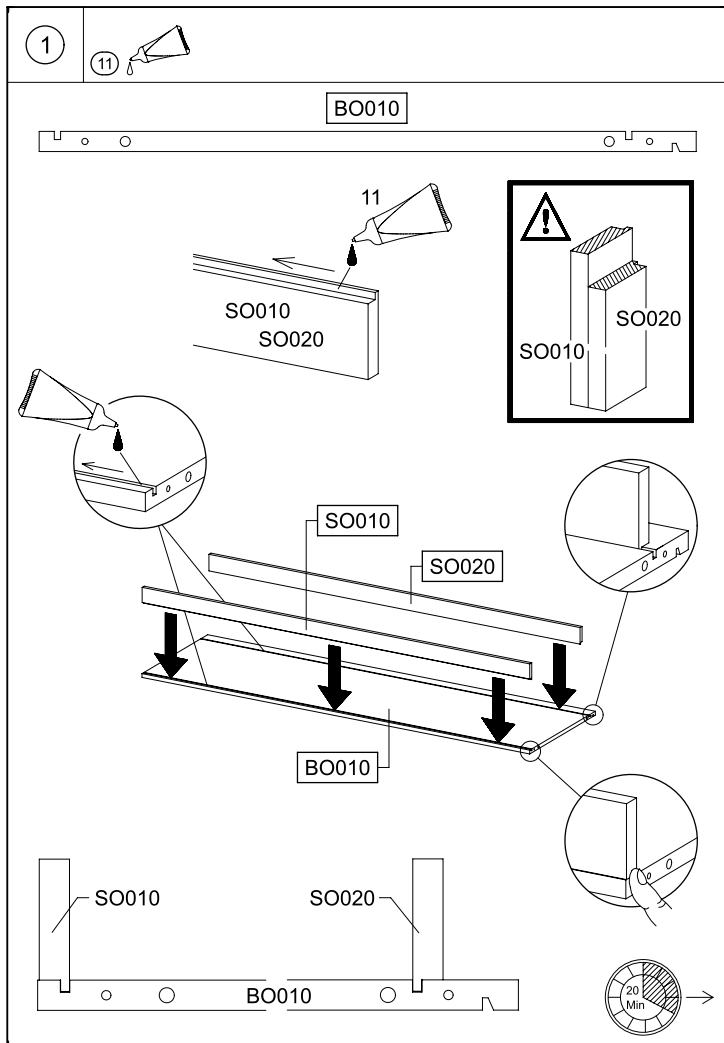
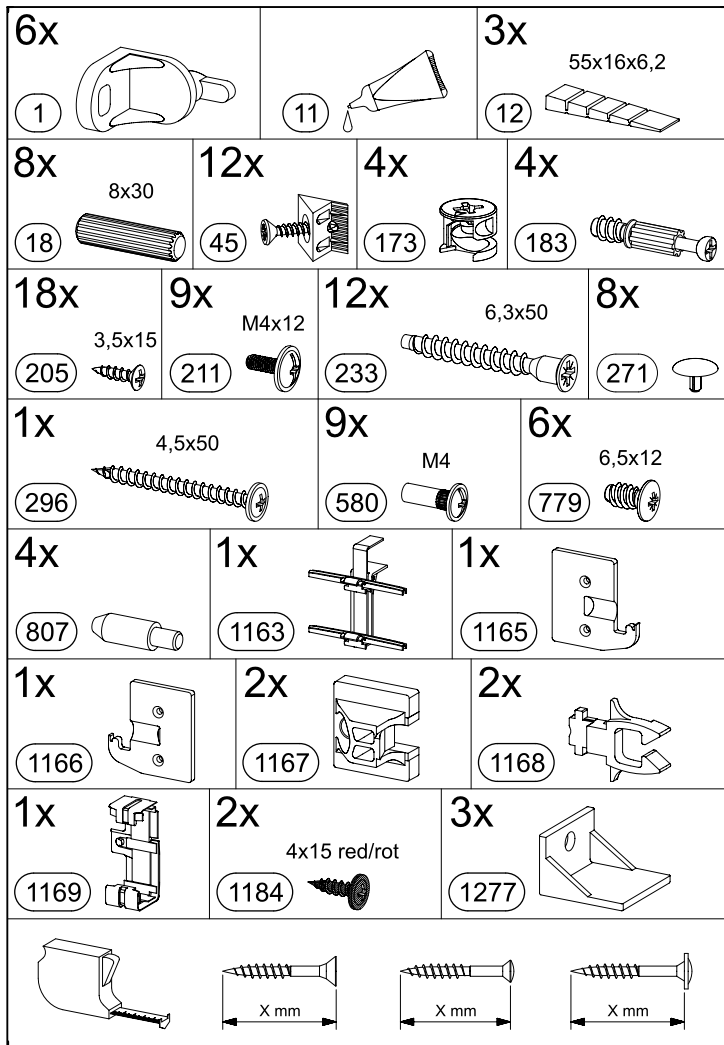


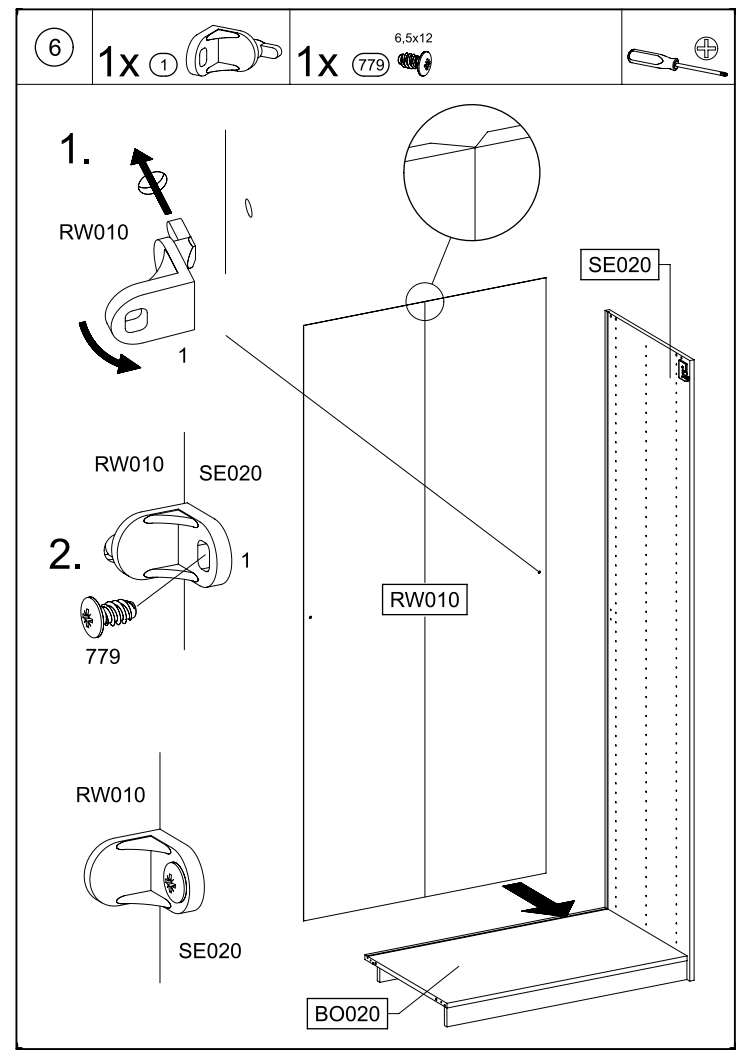
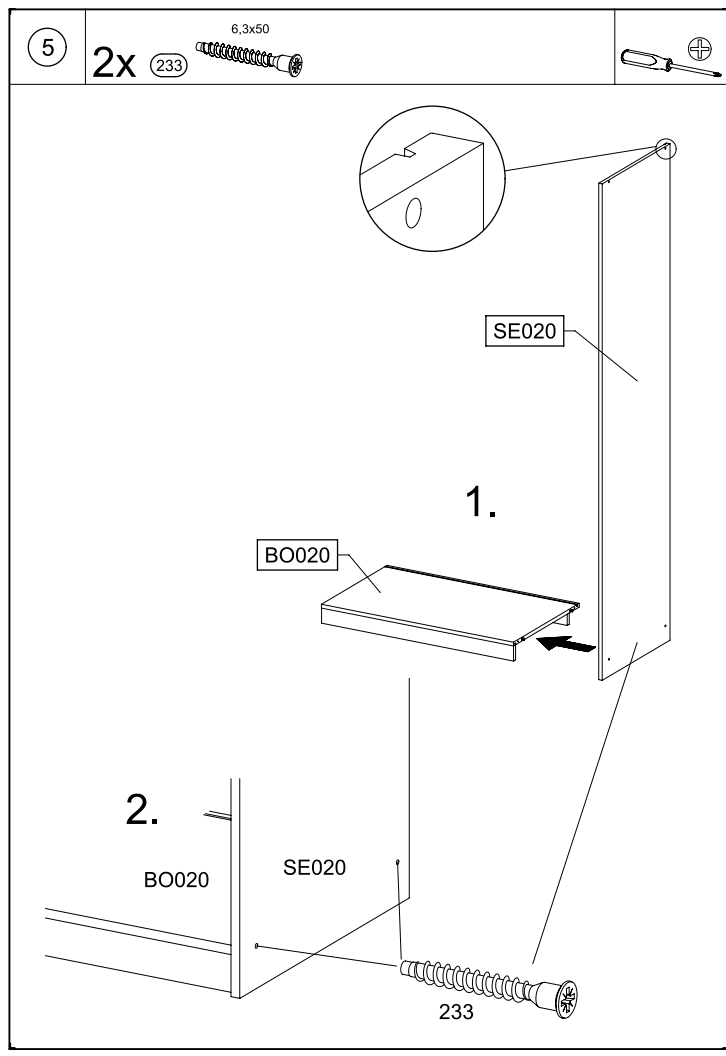
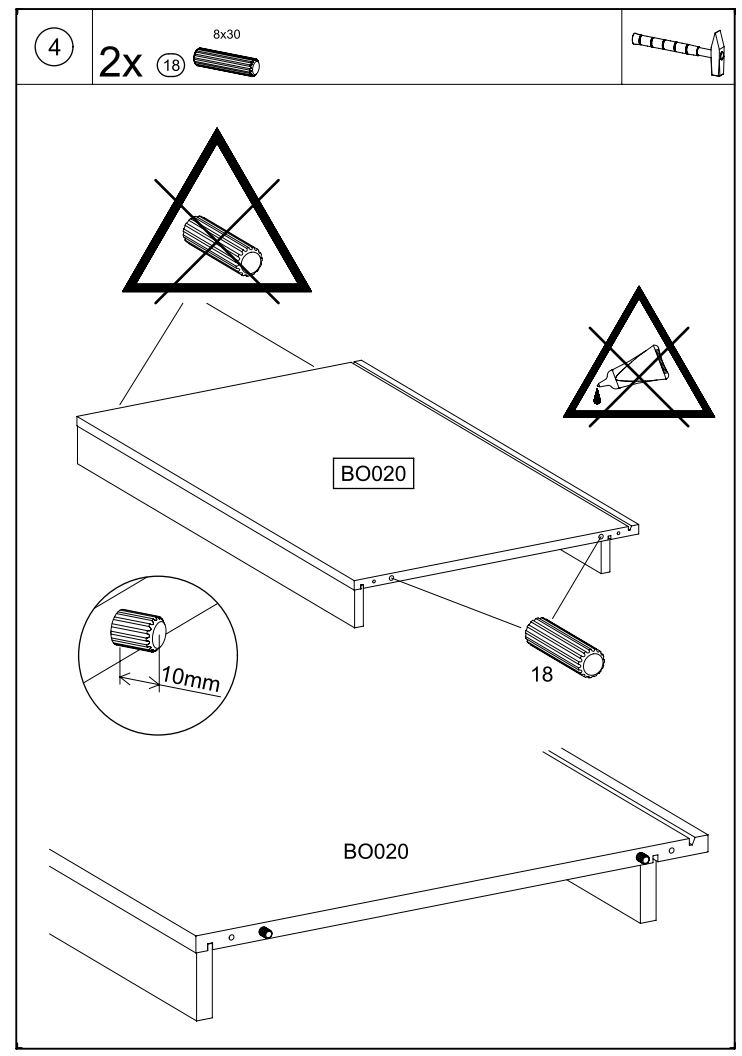
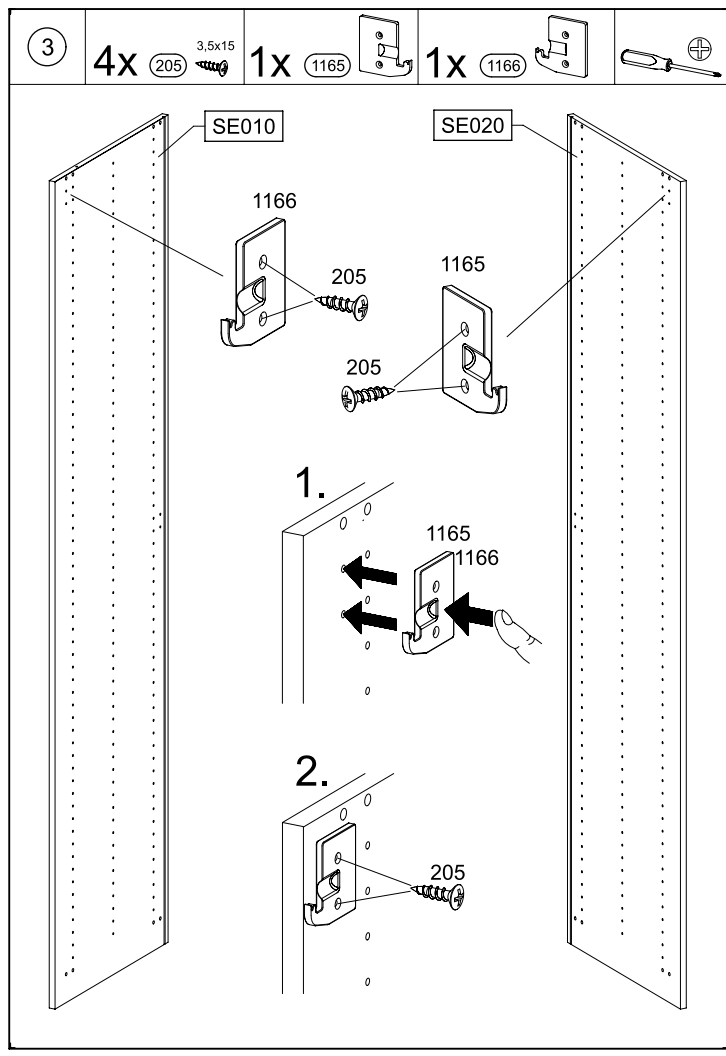
M2583

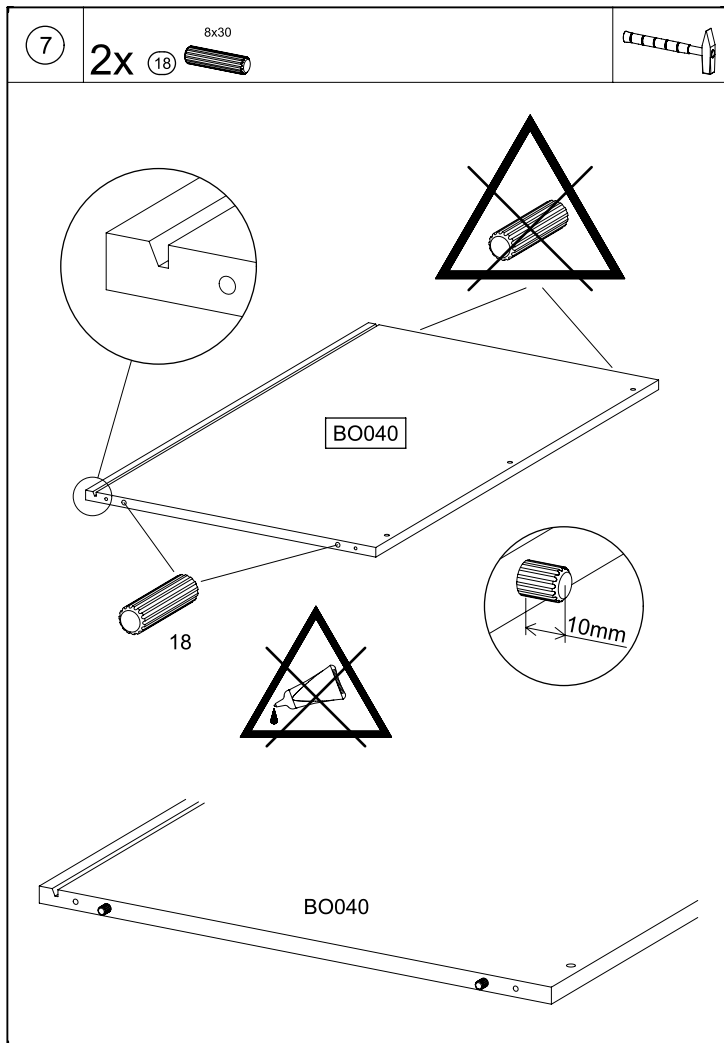


M2583

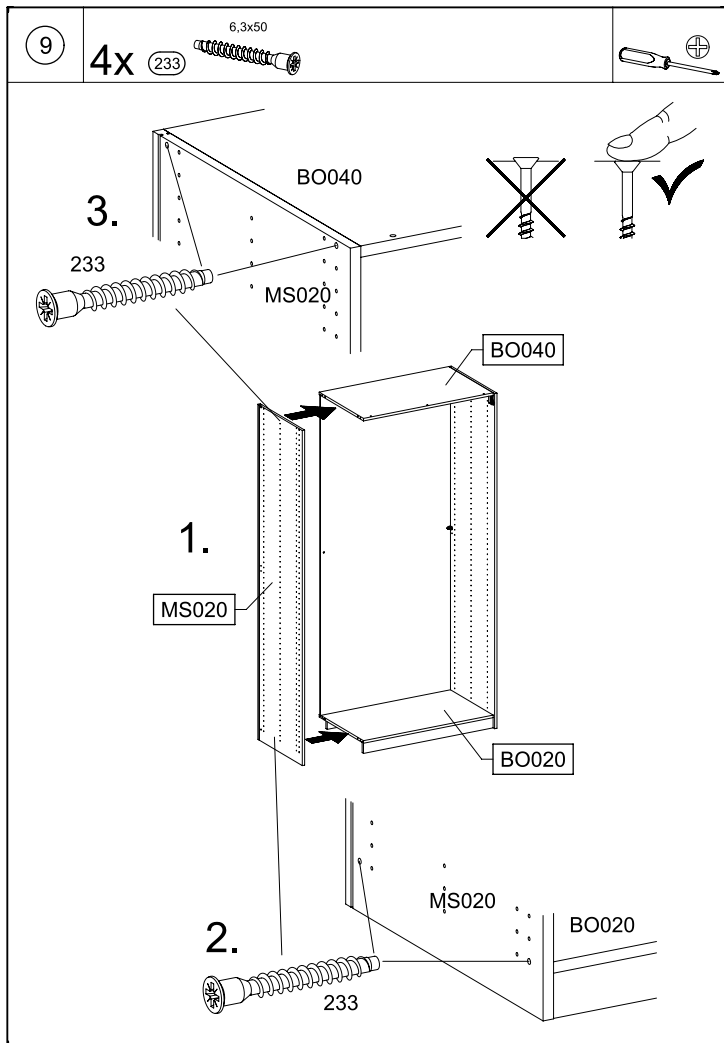
M2583



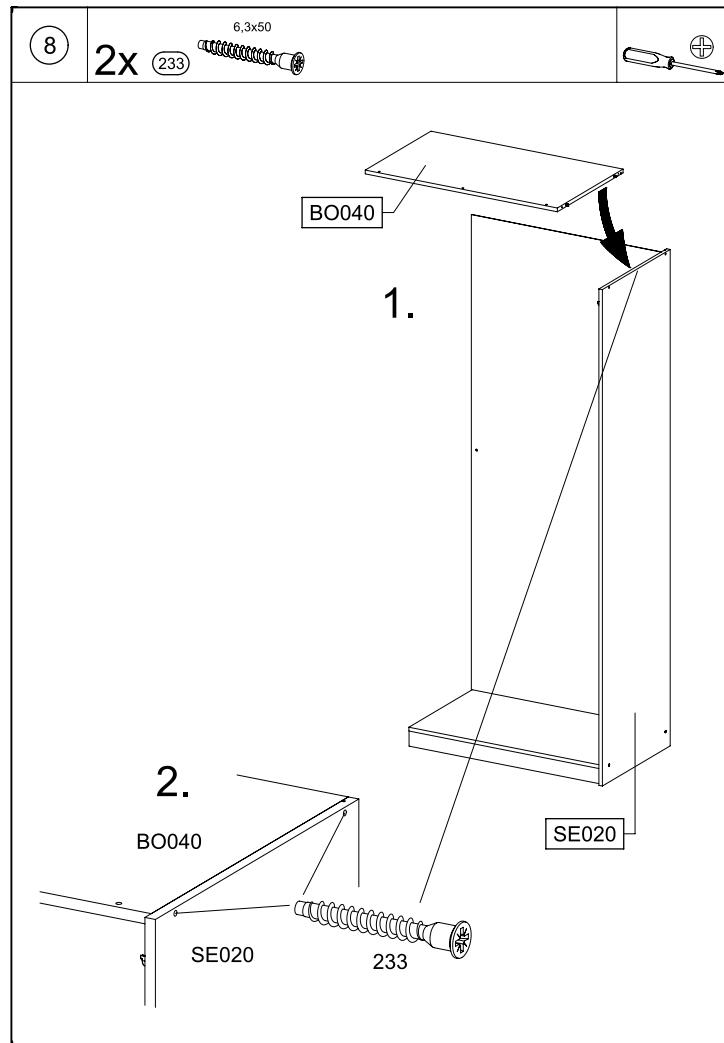




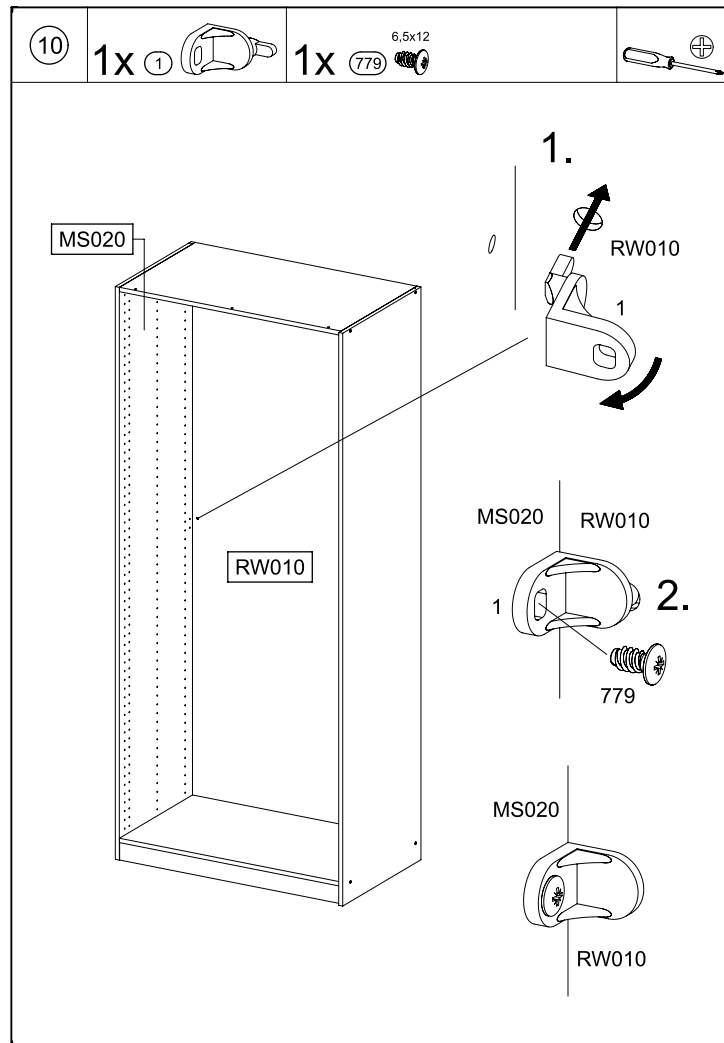
M2583



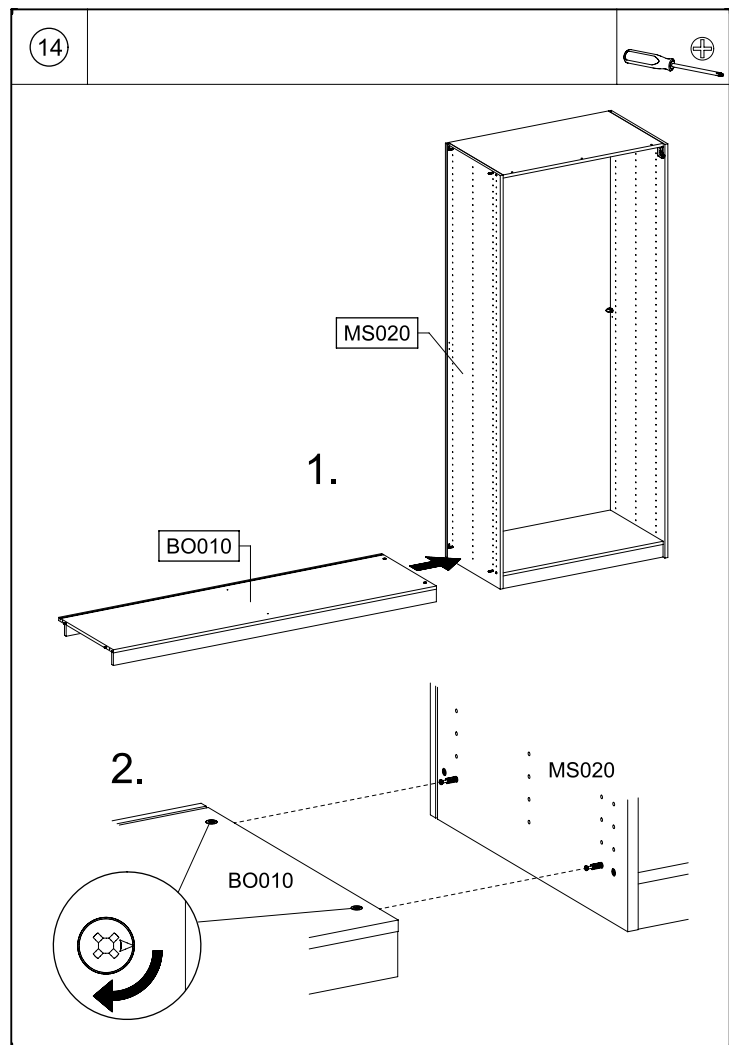
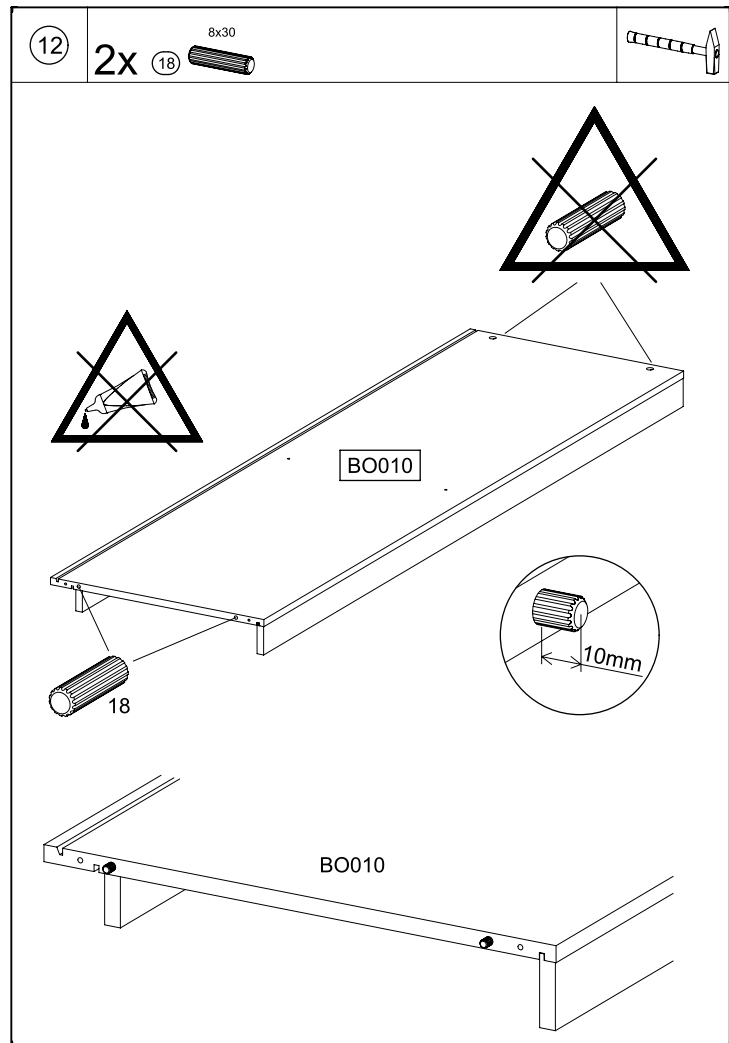
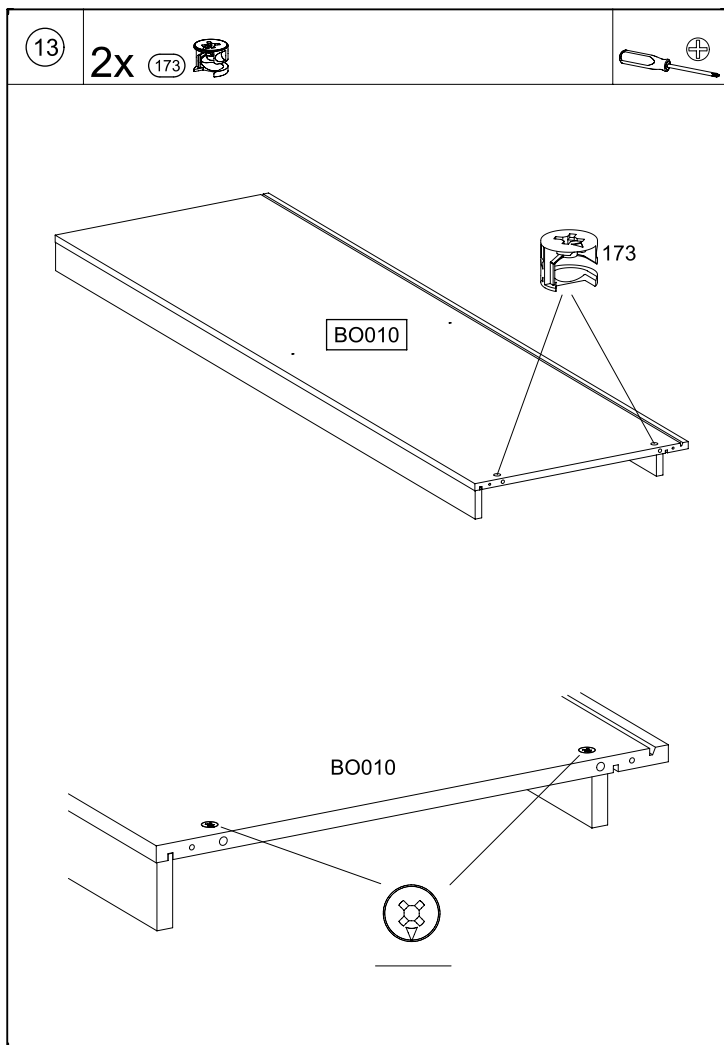
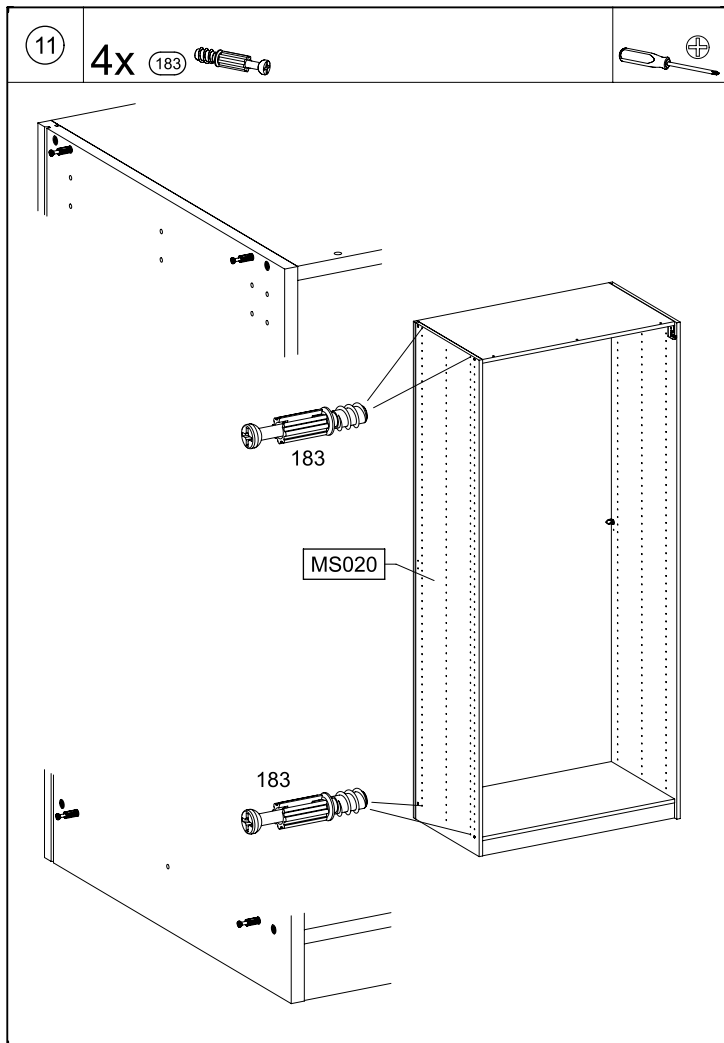
M2583

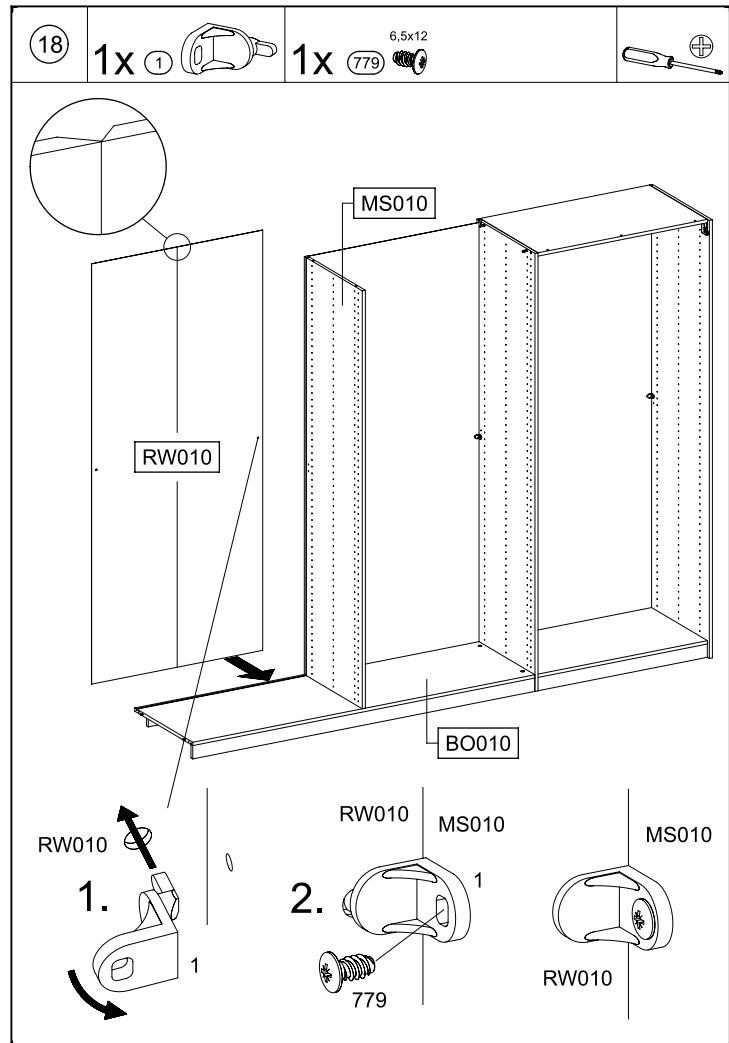
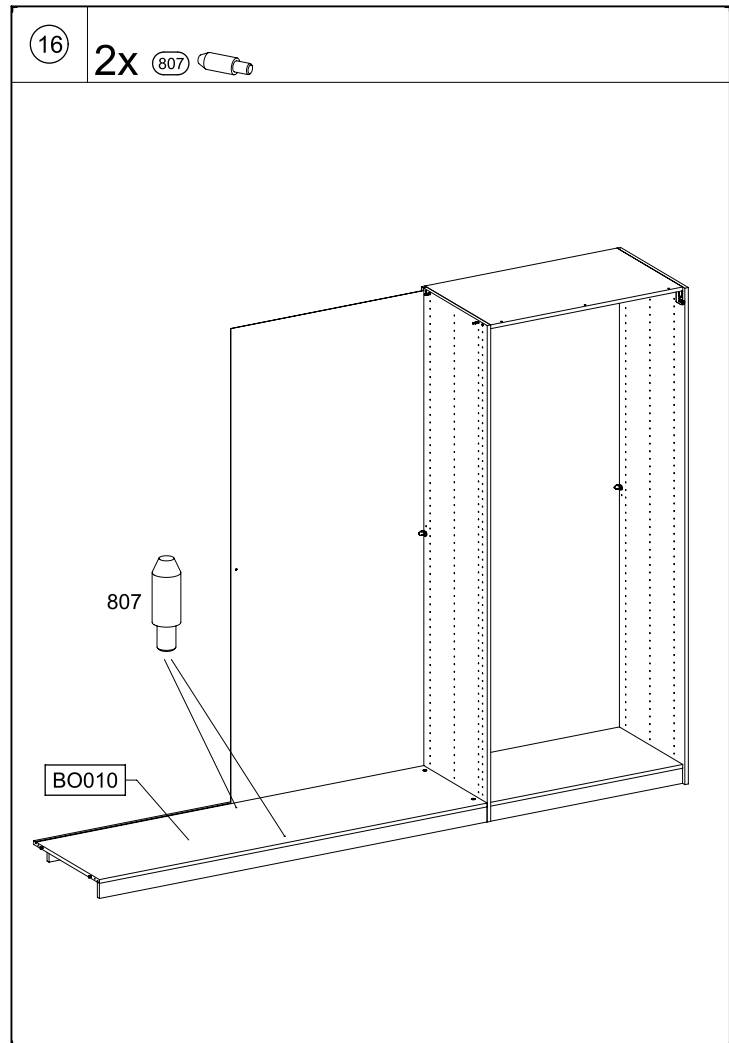
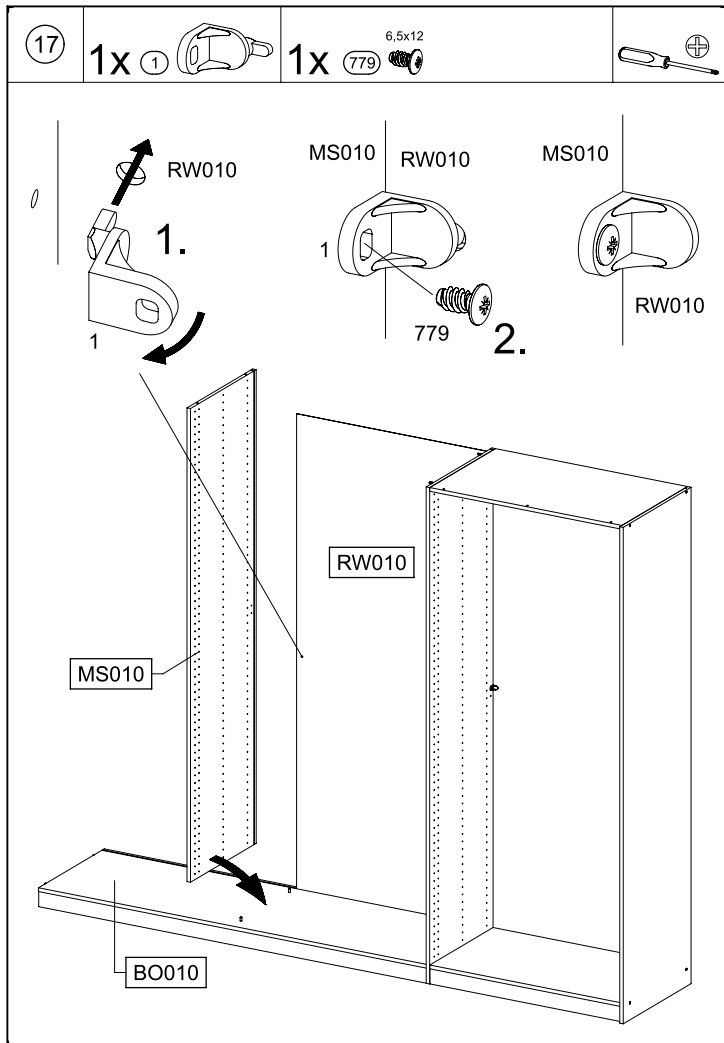
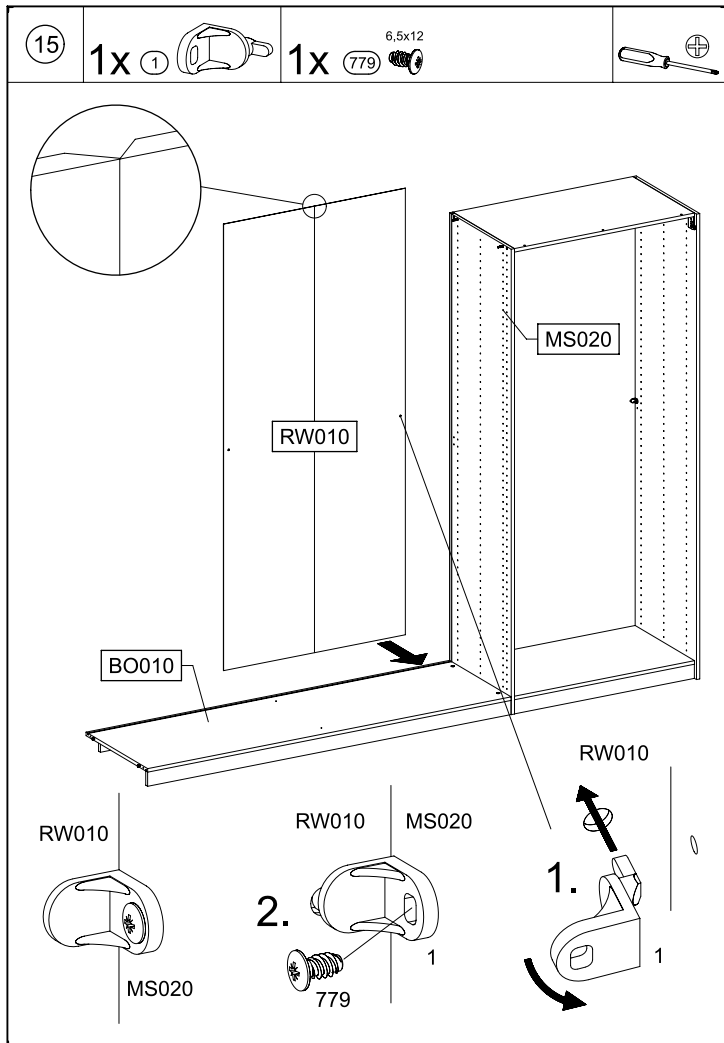


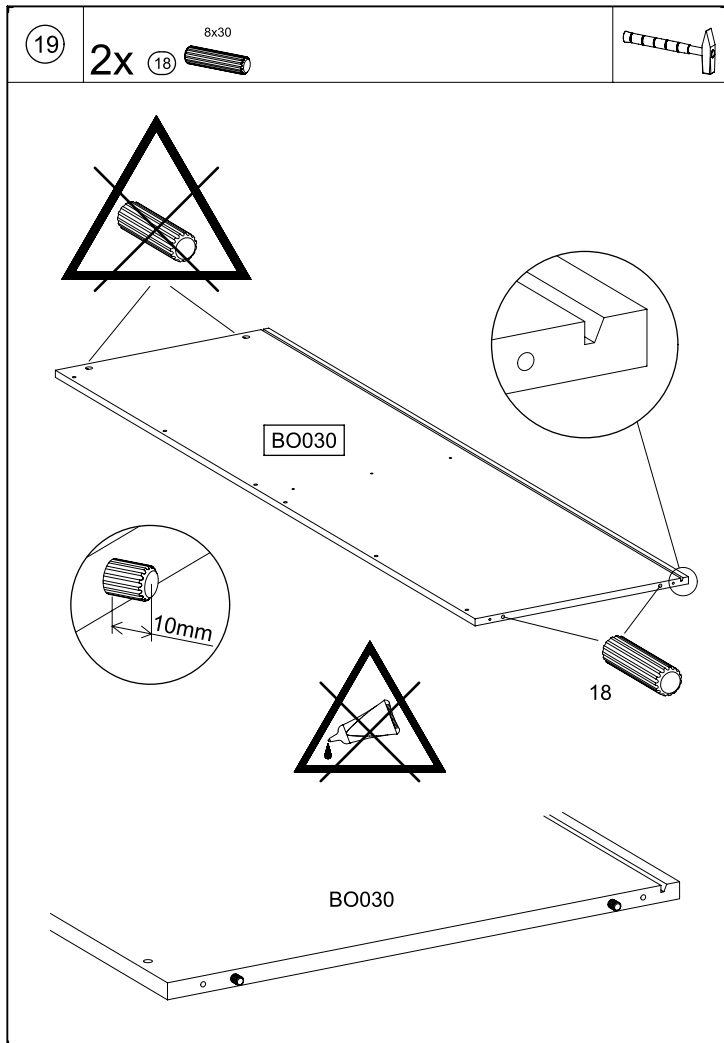
M2583



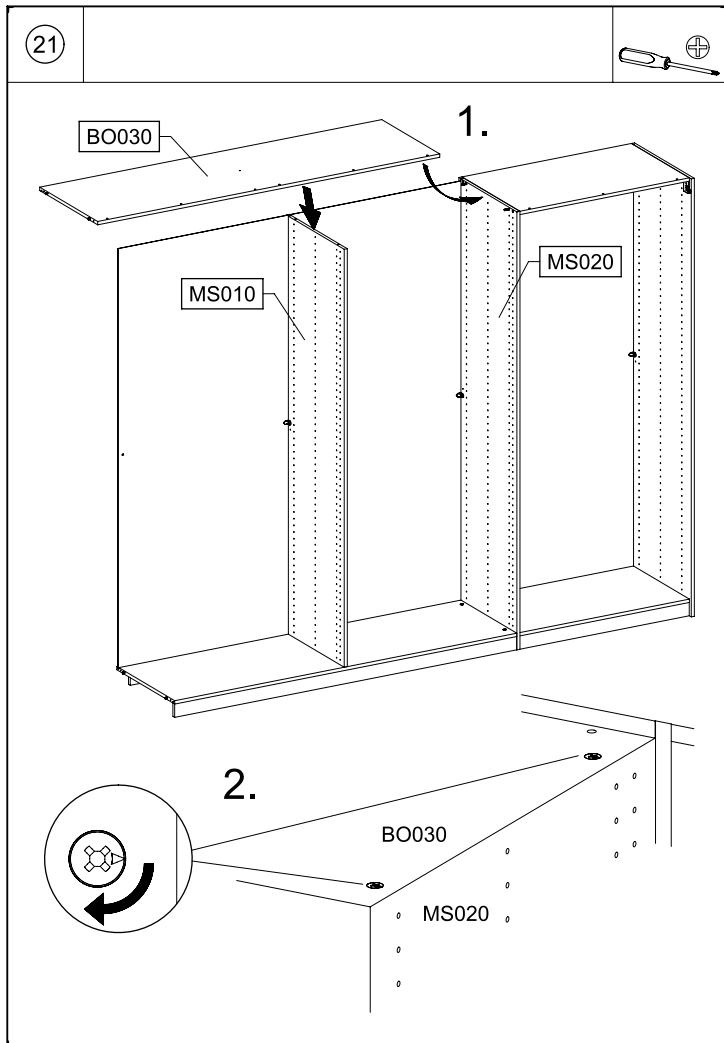
M2583



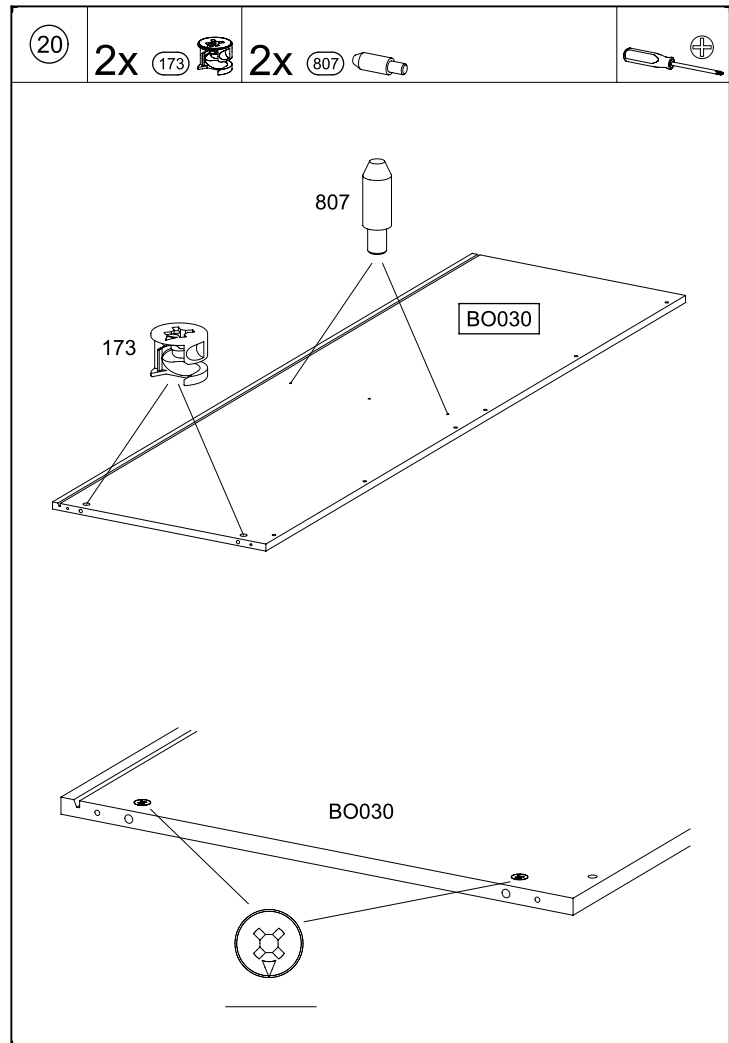




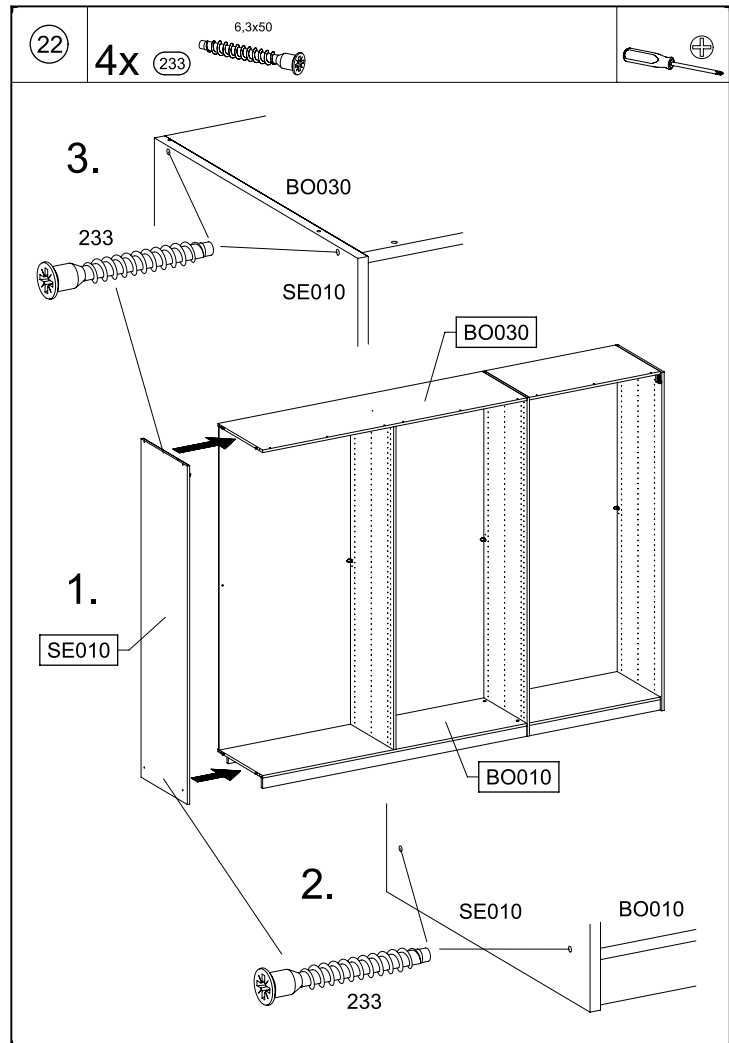
M2583



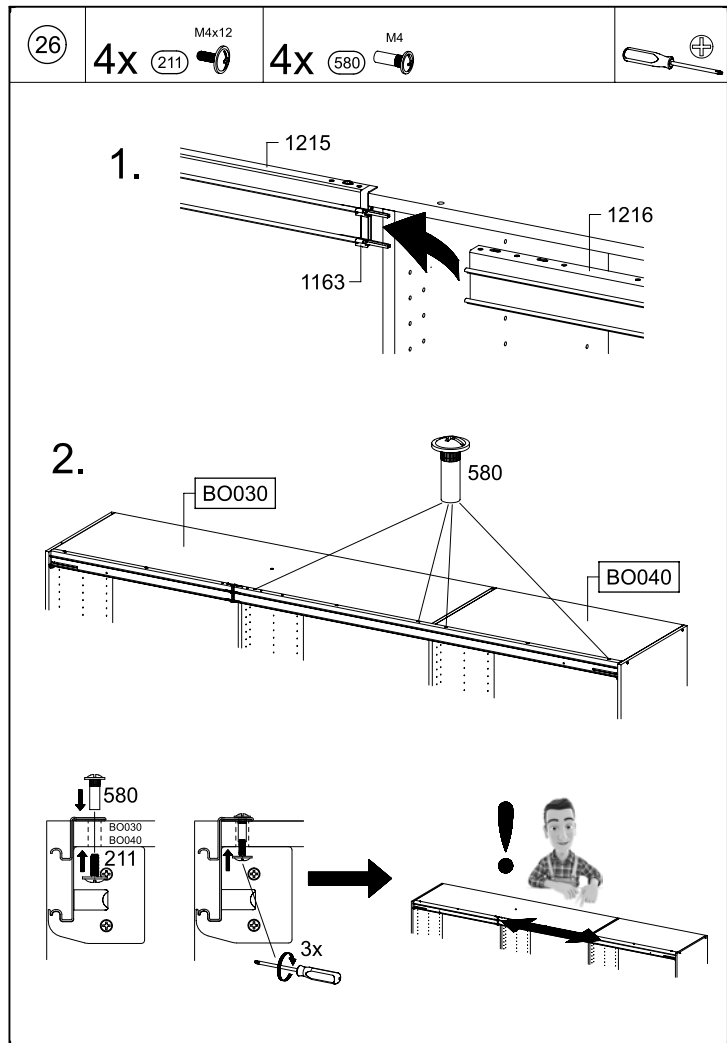
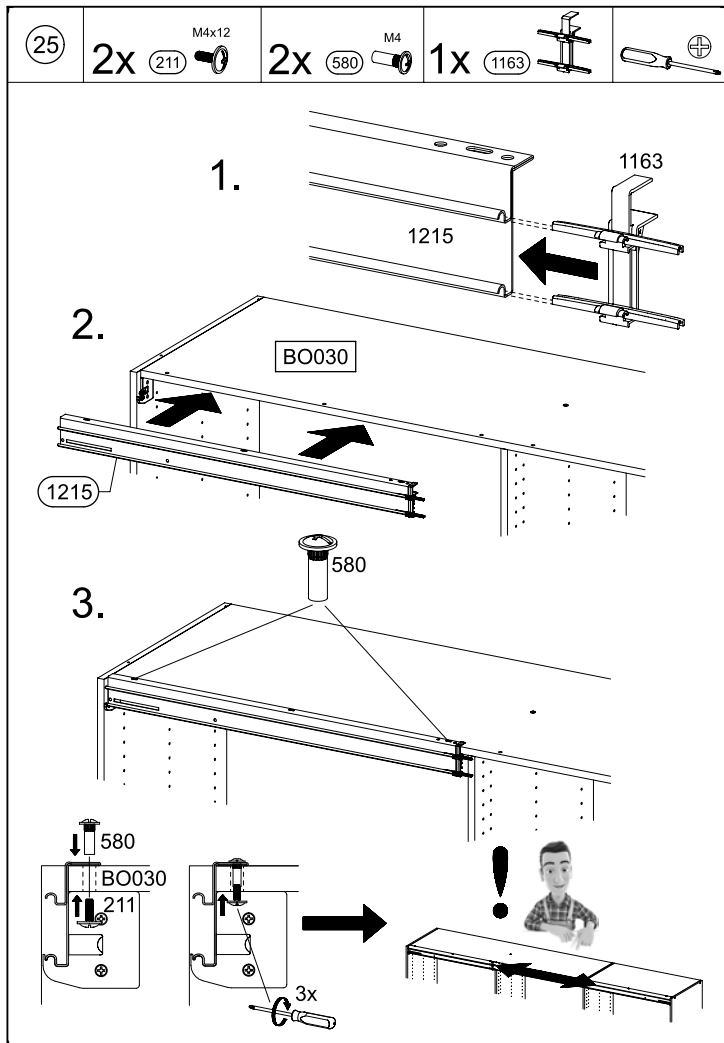
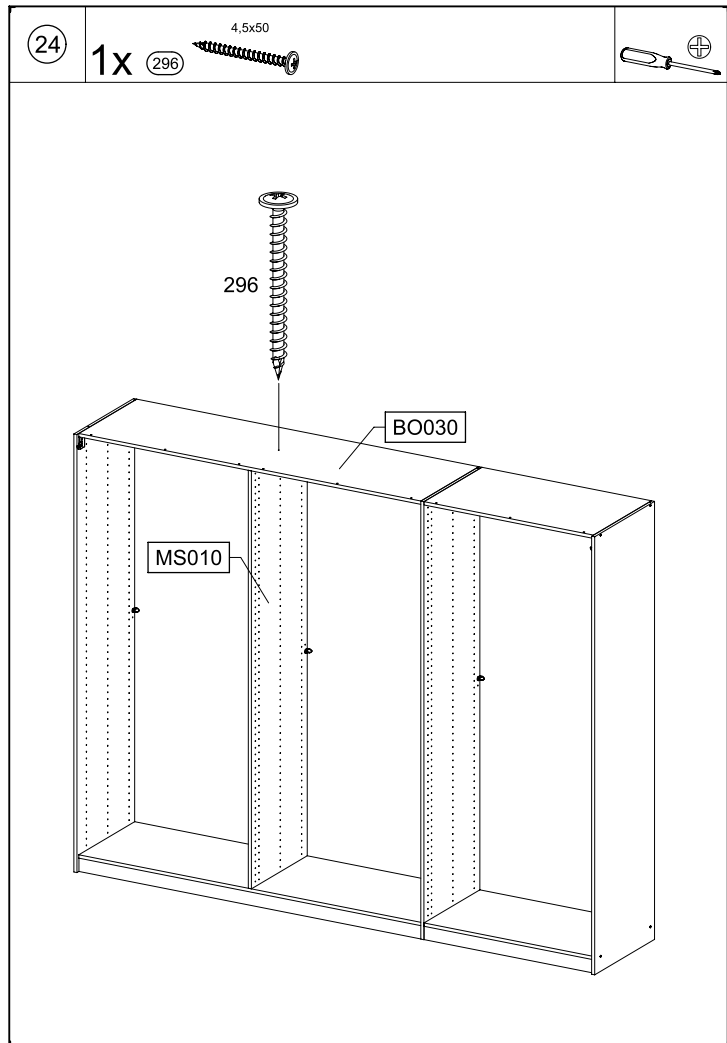
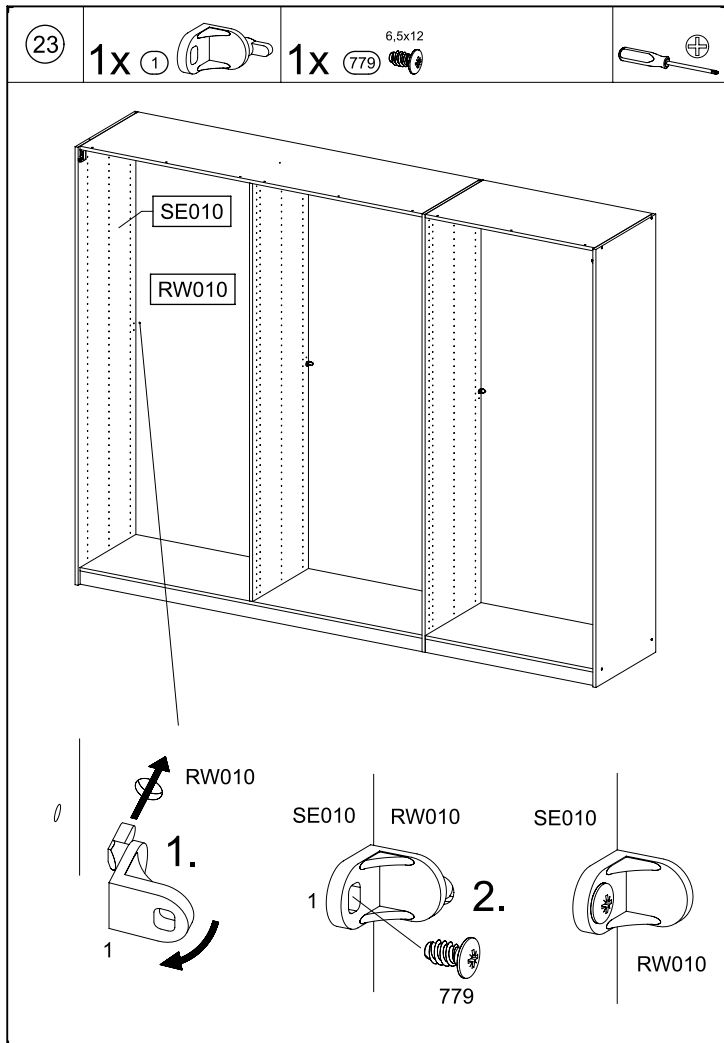
M2583

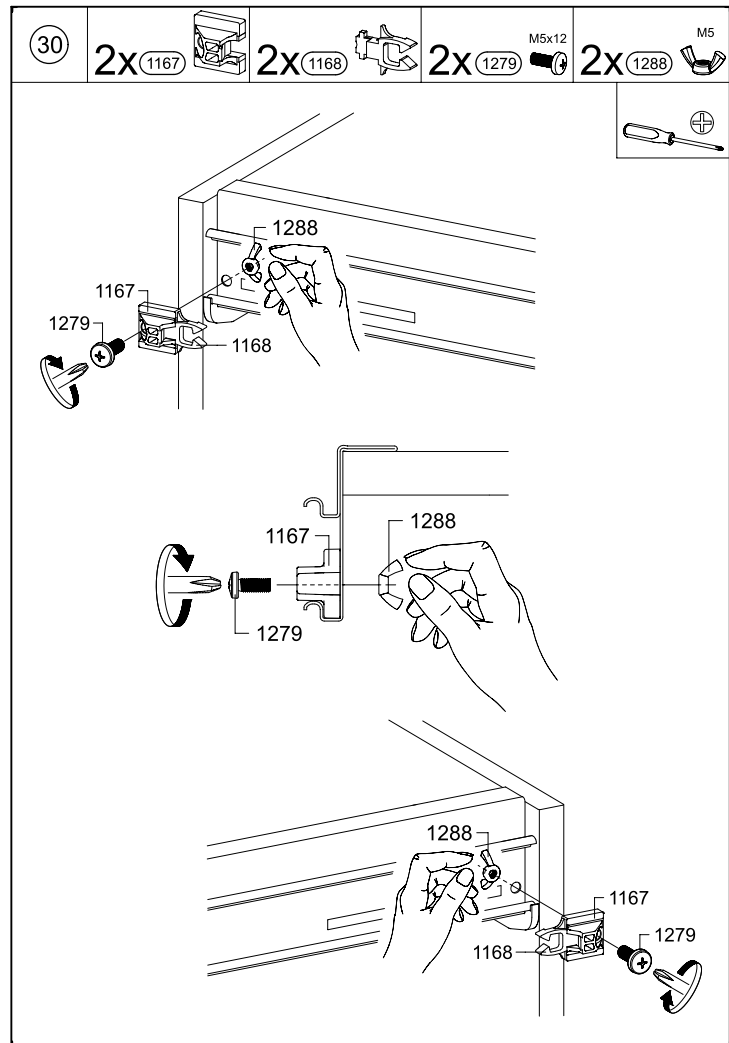
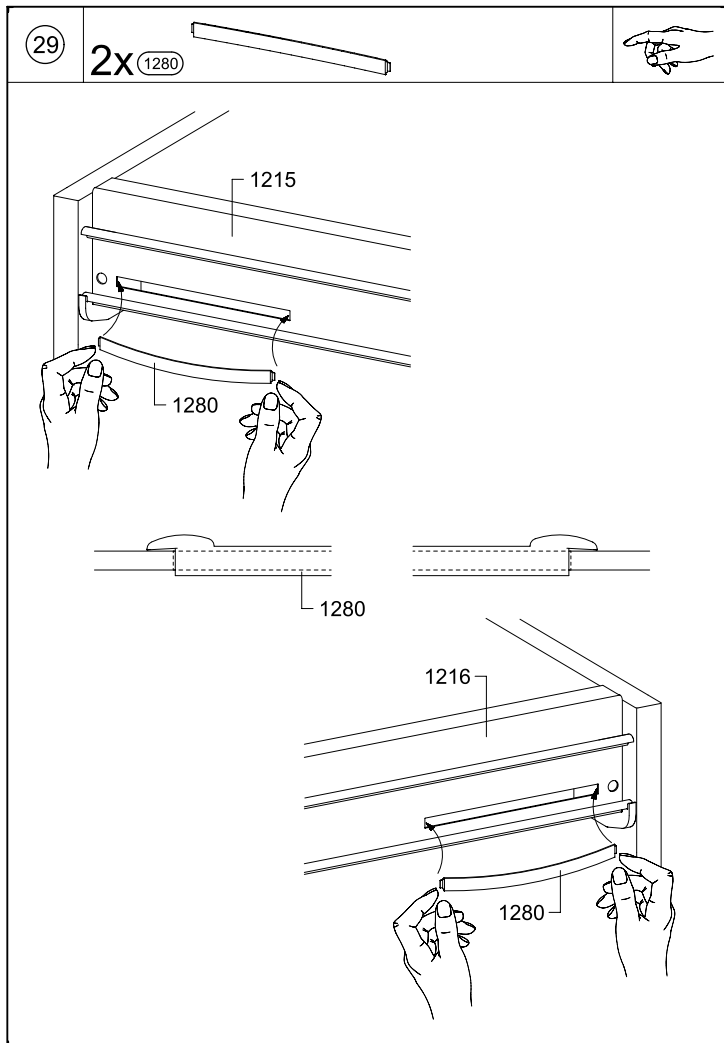
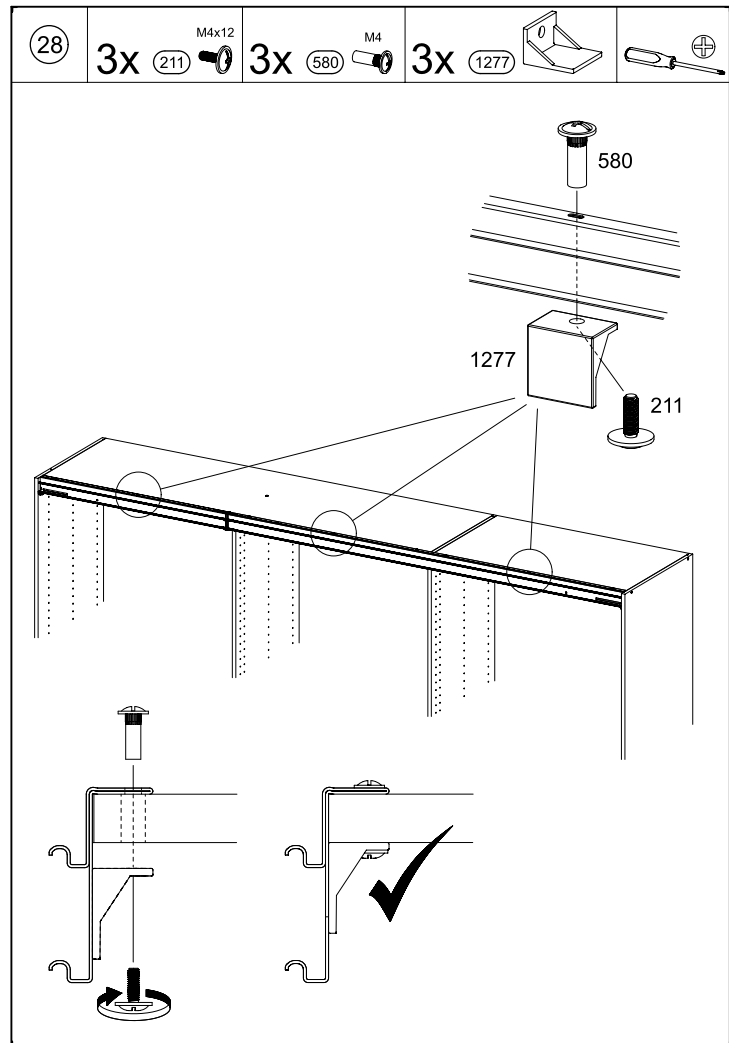
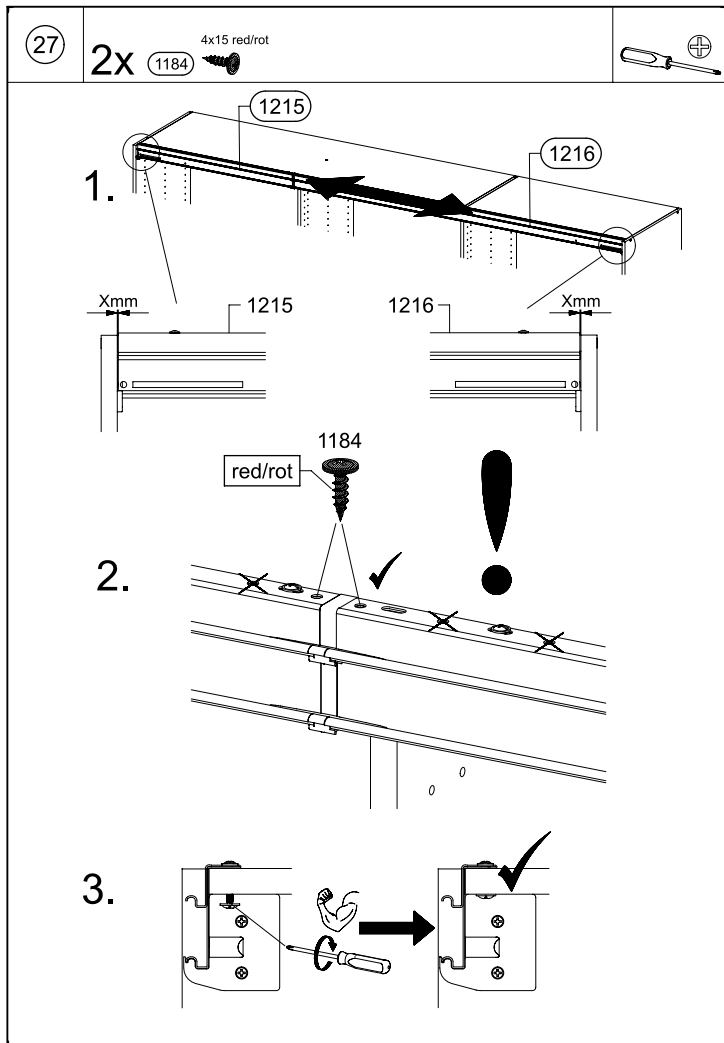


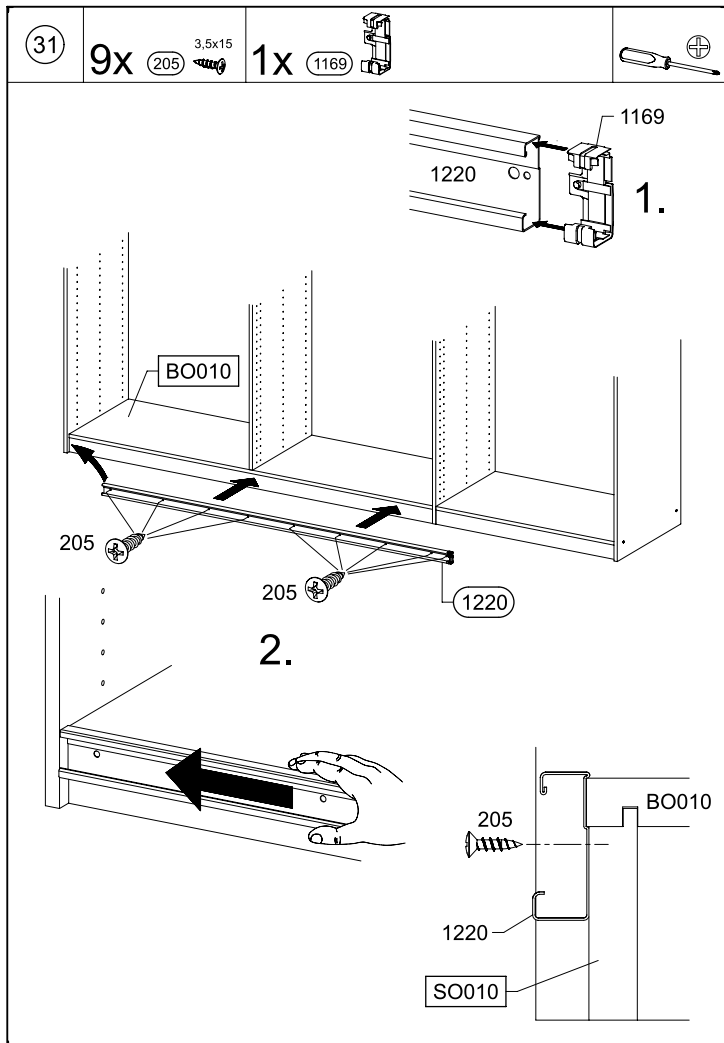
M2583



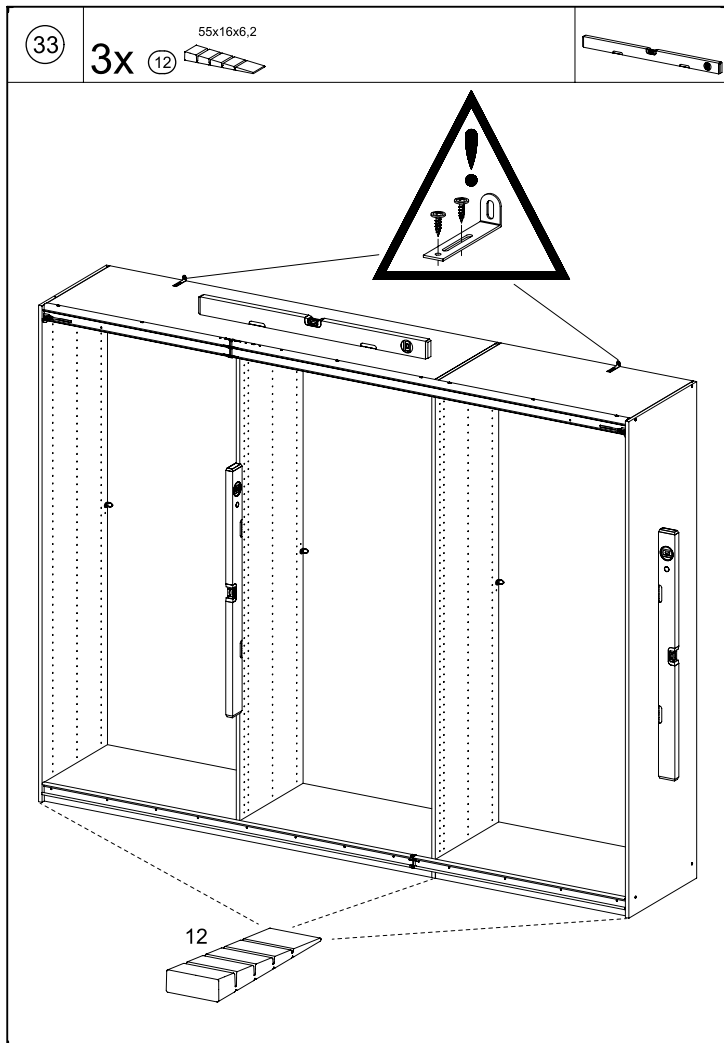
M2583



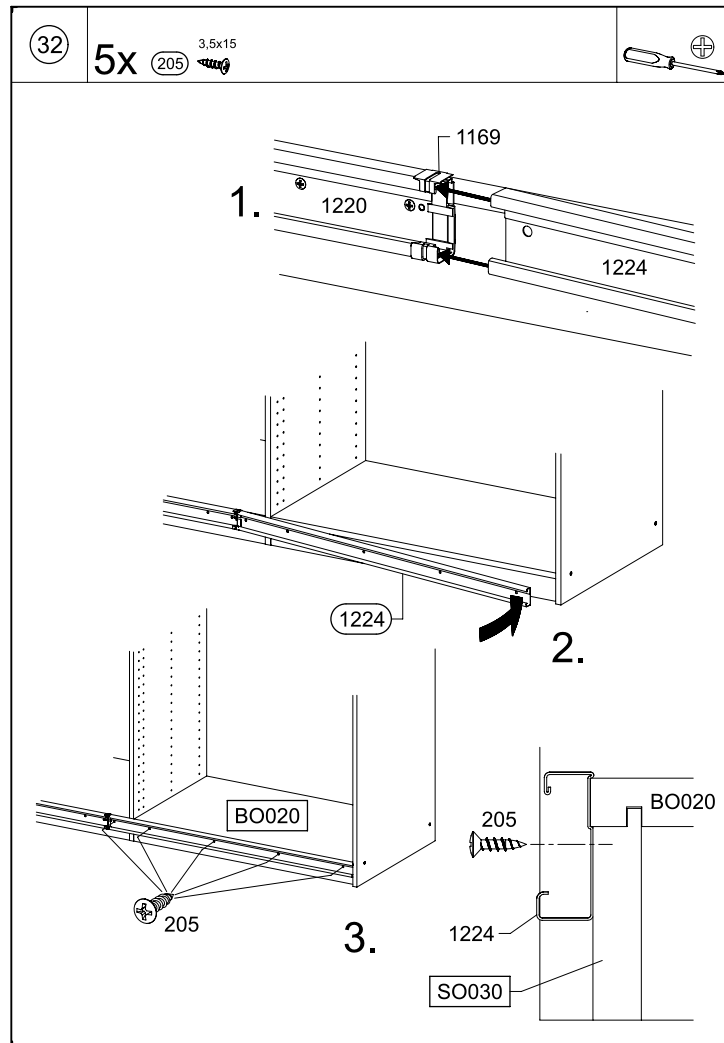




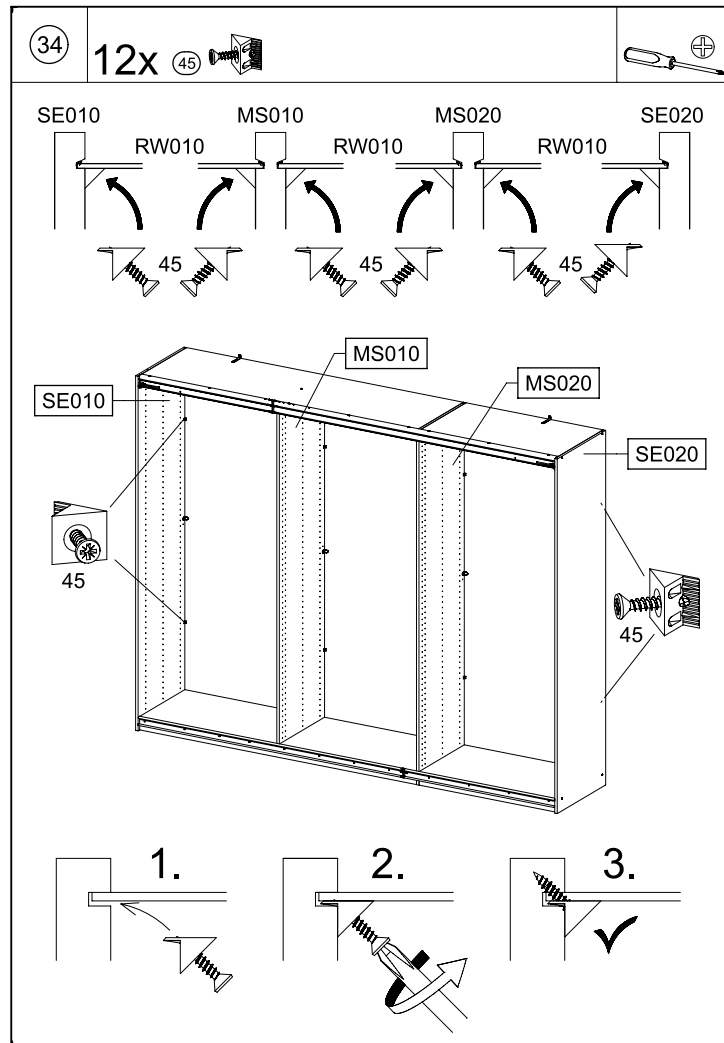
M2583



M2583



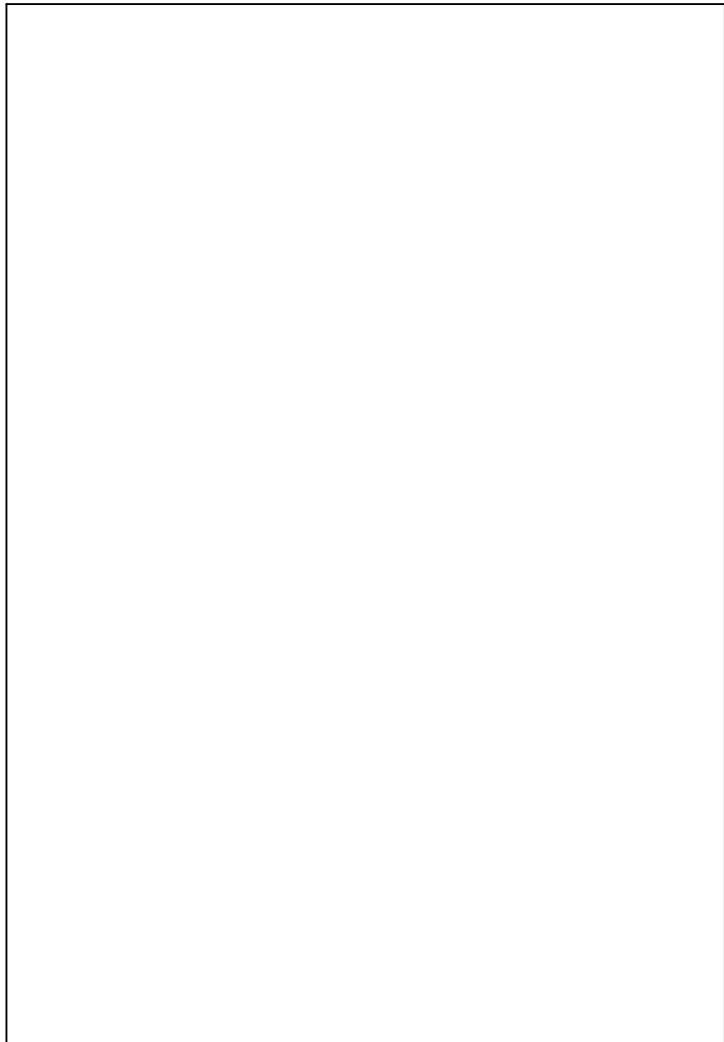
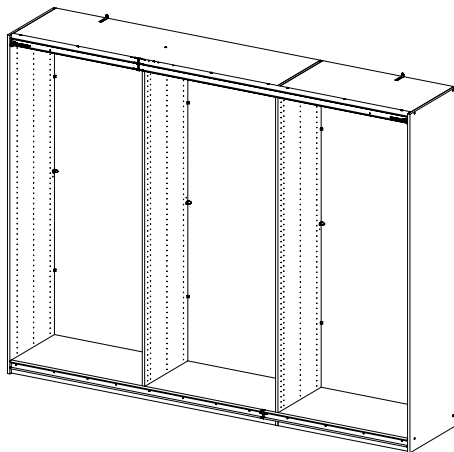
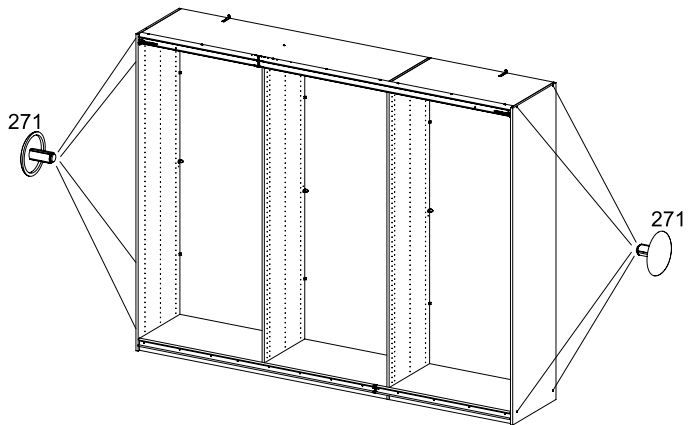
M2583



M2583

35

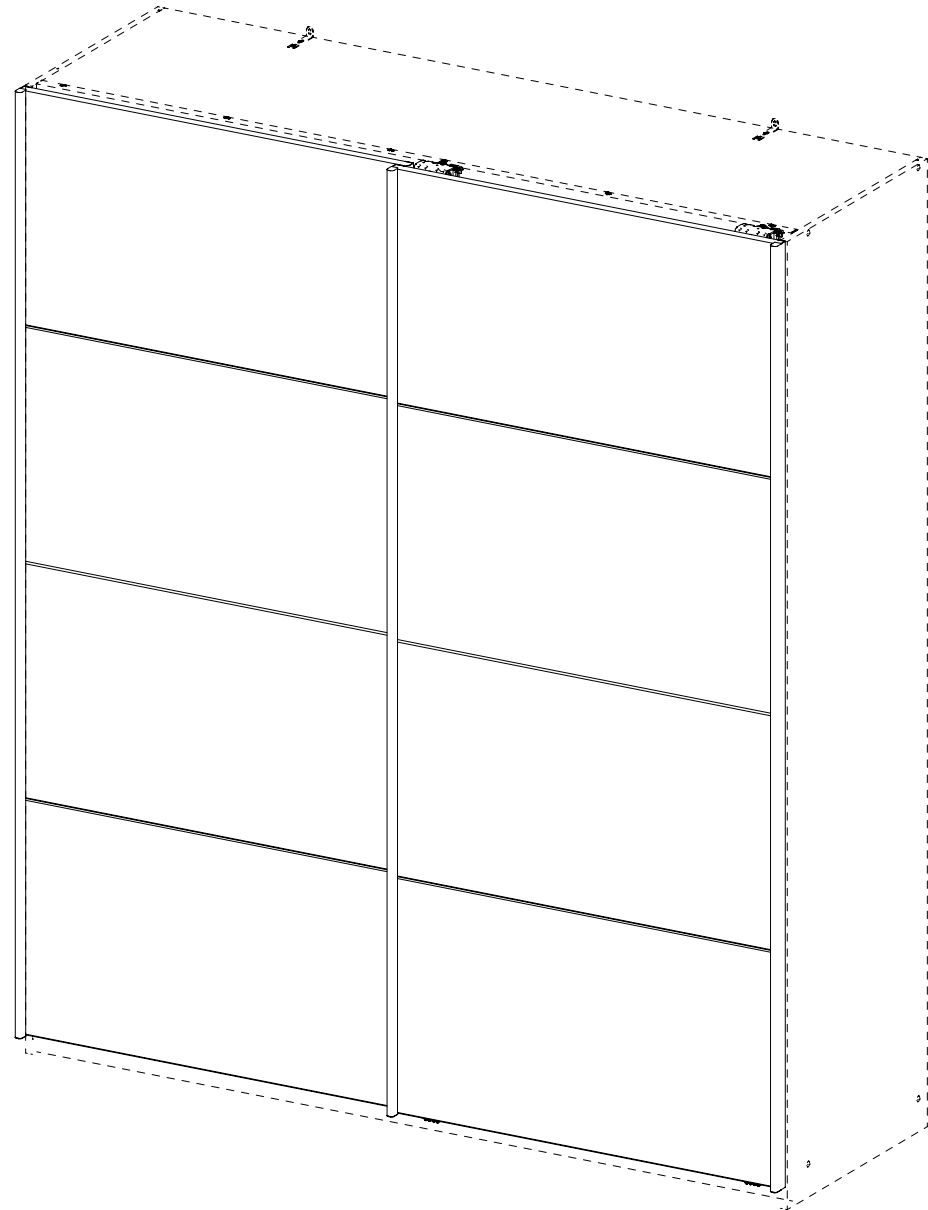
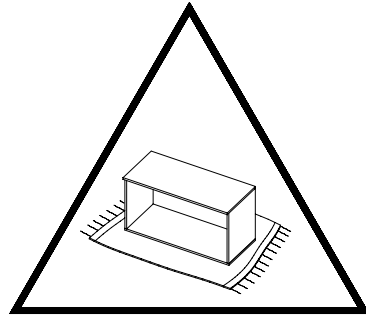
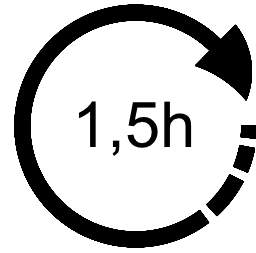
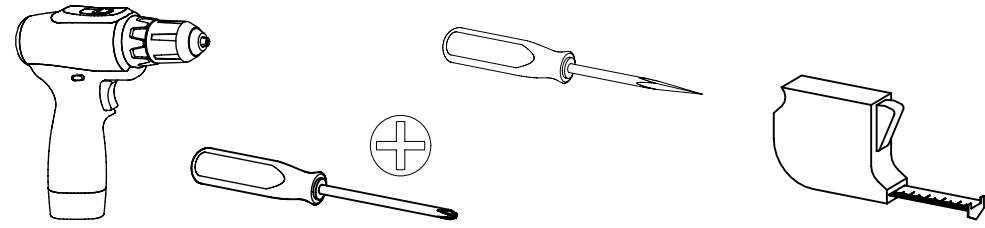
8x 



1.

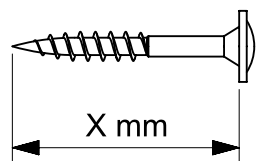
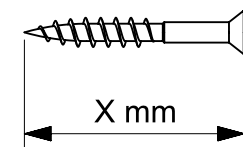
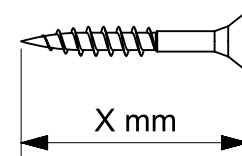
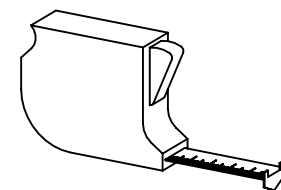
M9980_02

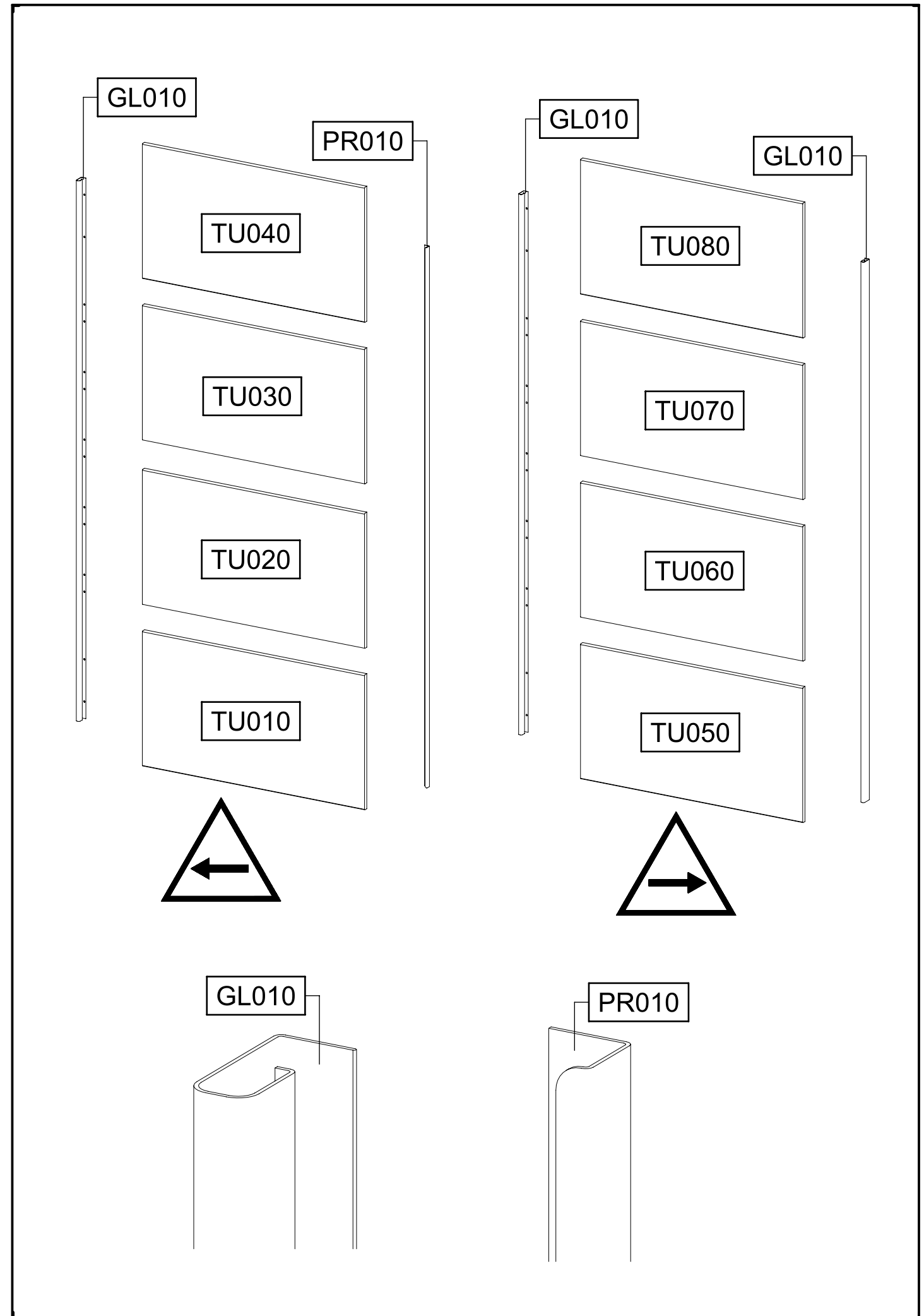
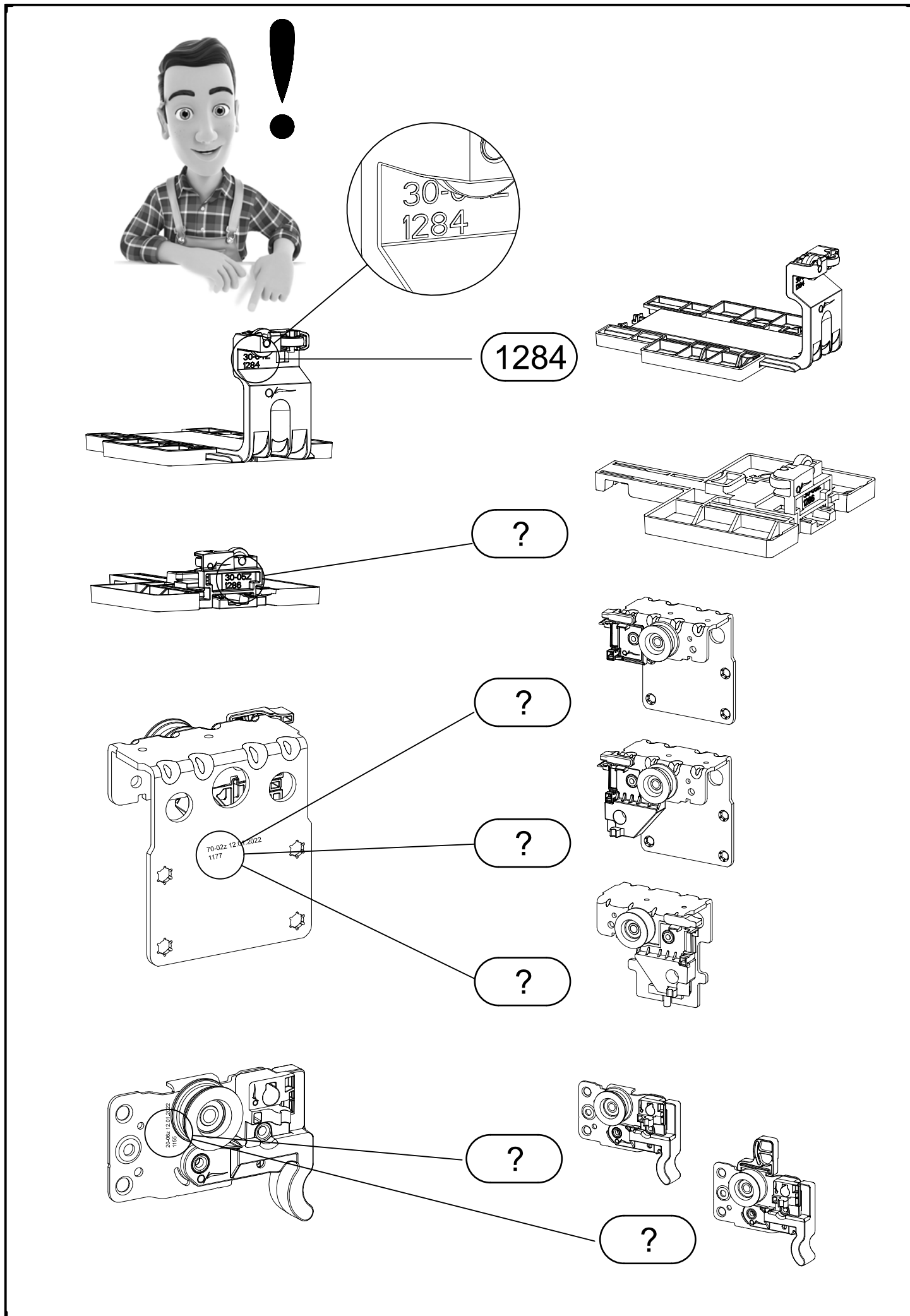
rauch

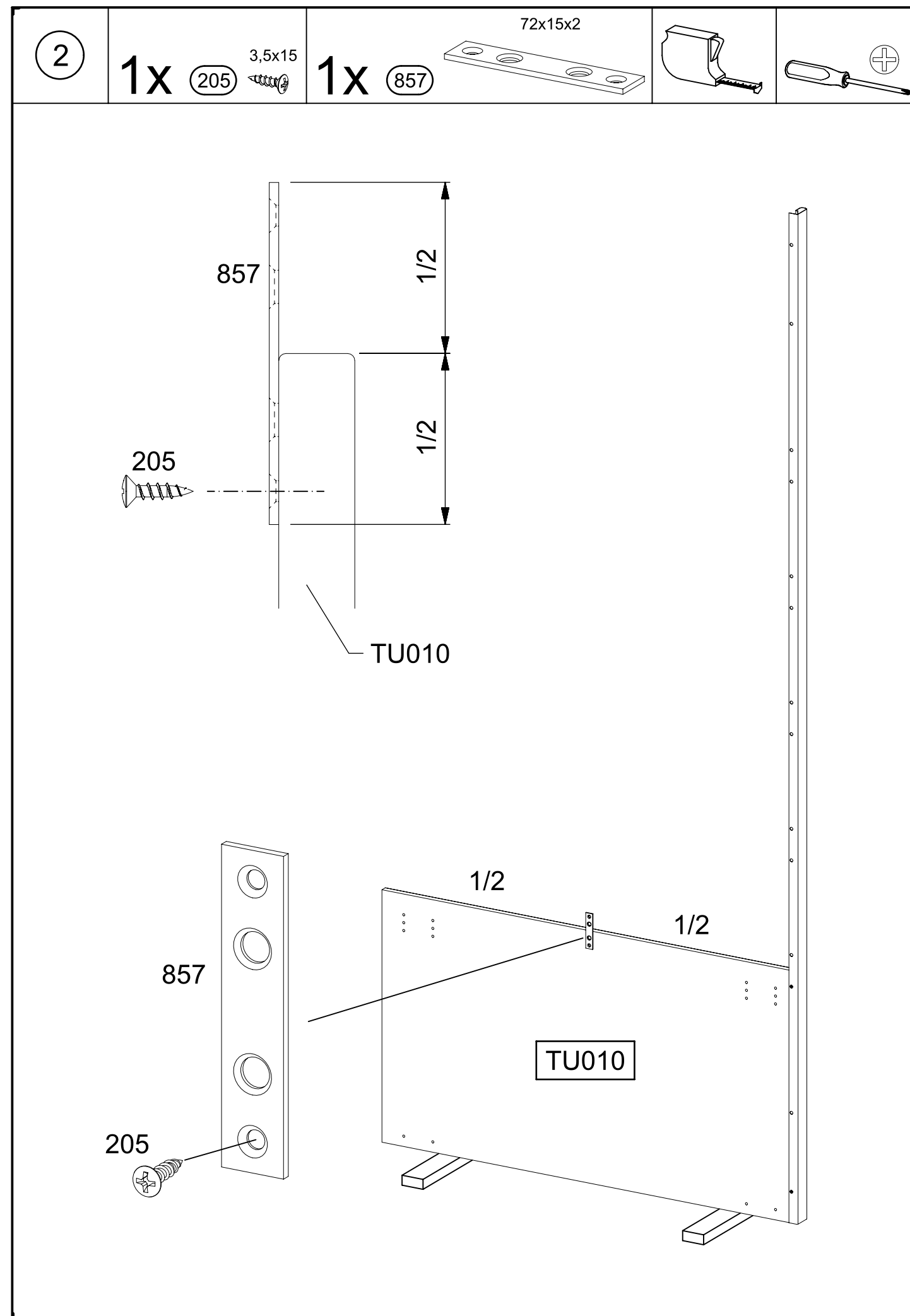
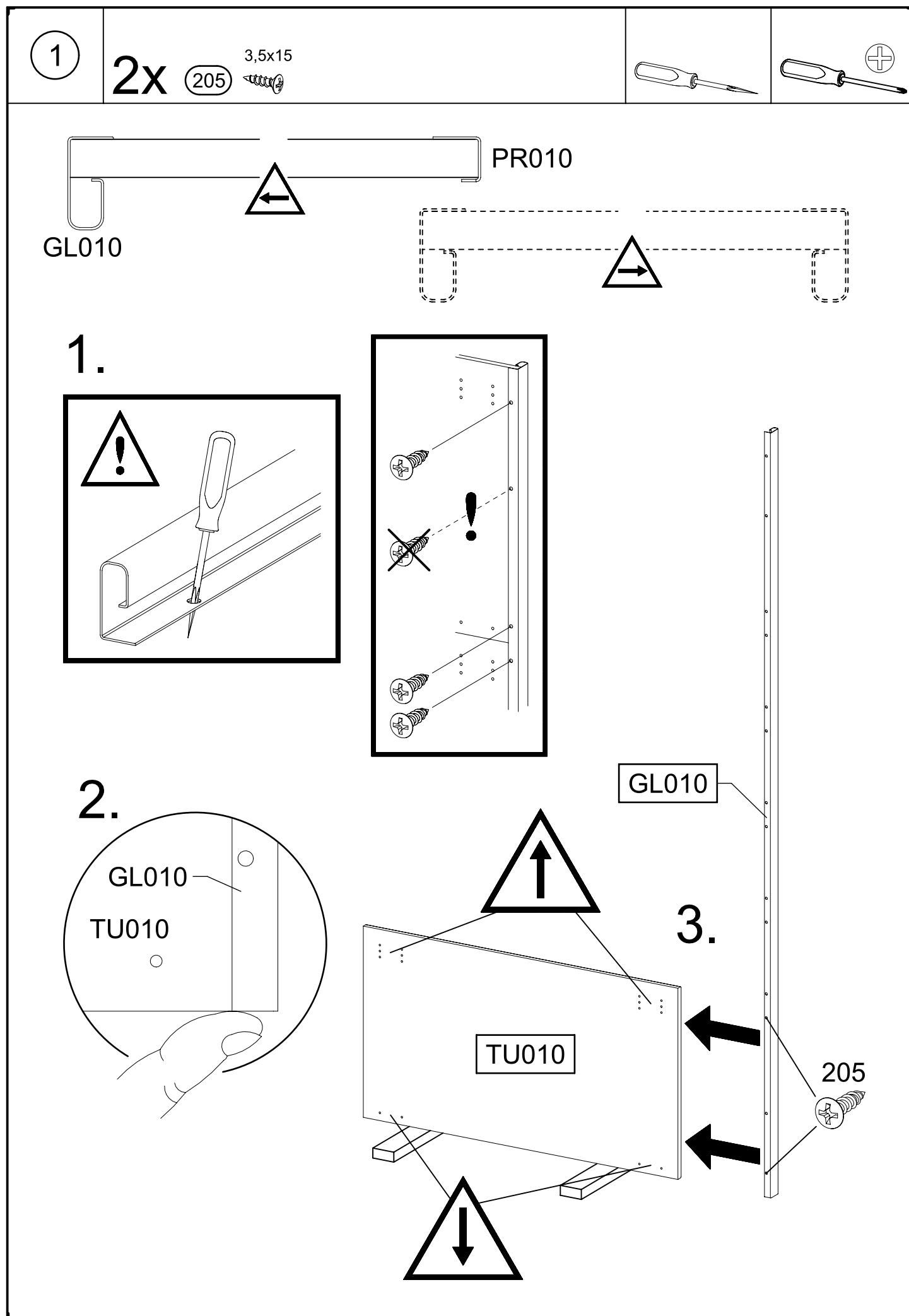


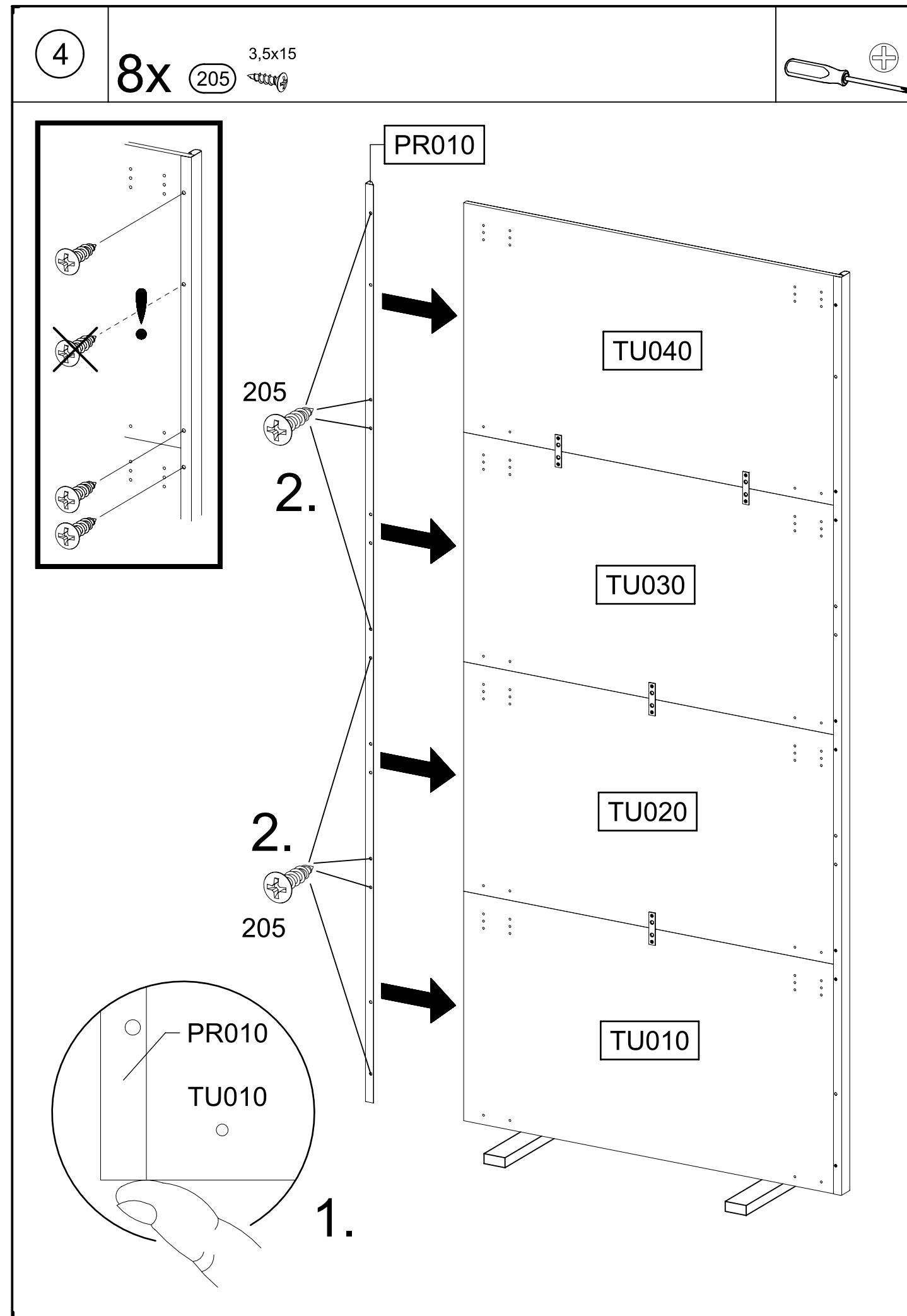
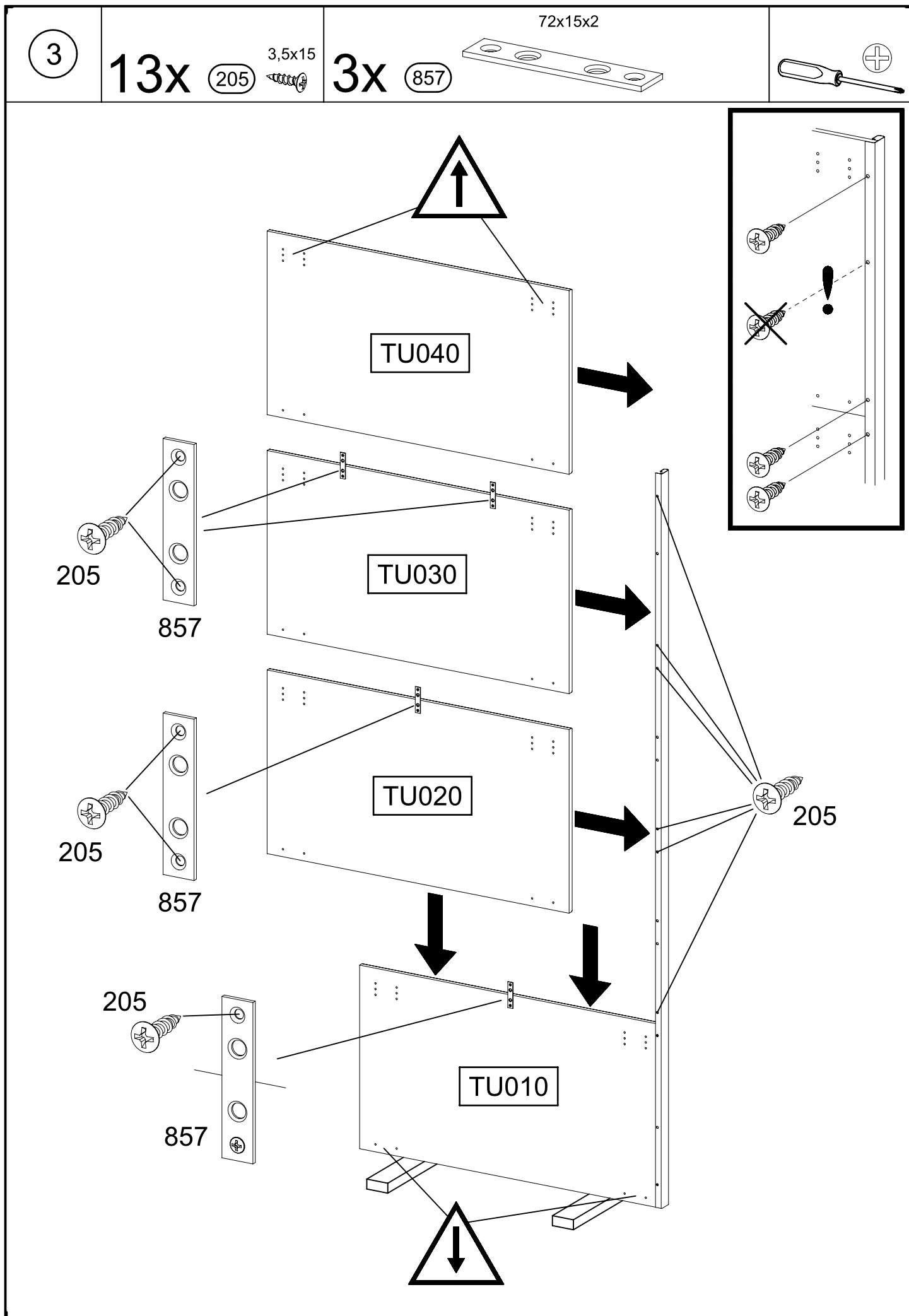
2.

6x 144 	56x 205 3,5x15 	8x 857 72x15x2
1x 1155 	1x 1156 	24x 1173 6,3x14
1x 1178 	1x 1177 	
2x 1284 	2x 1286 	

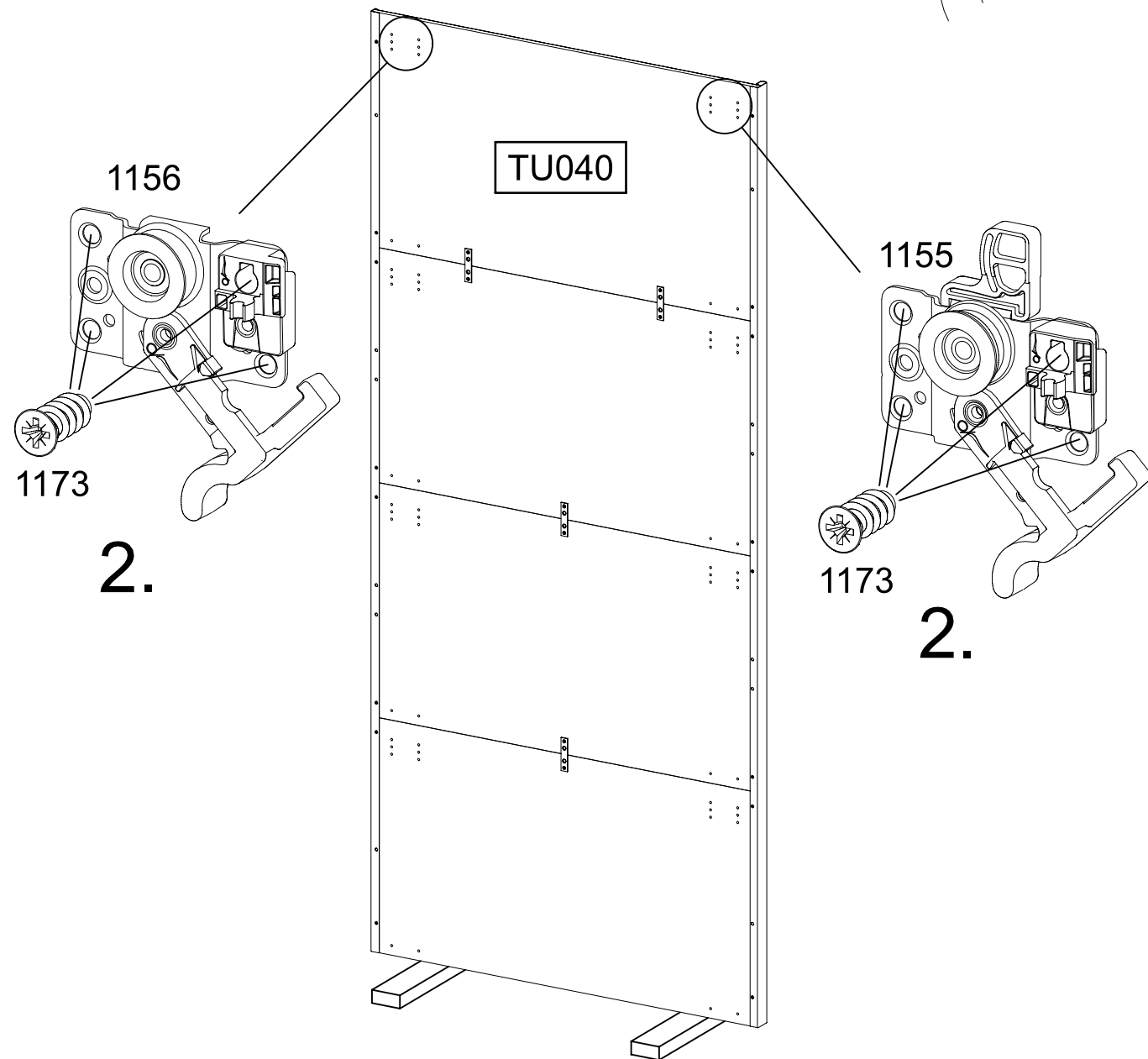
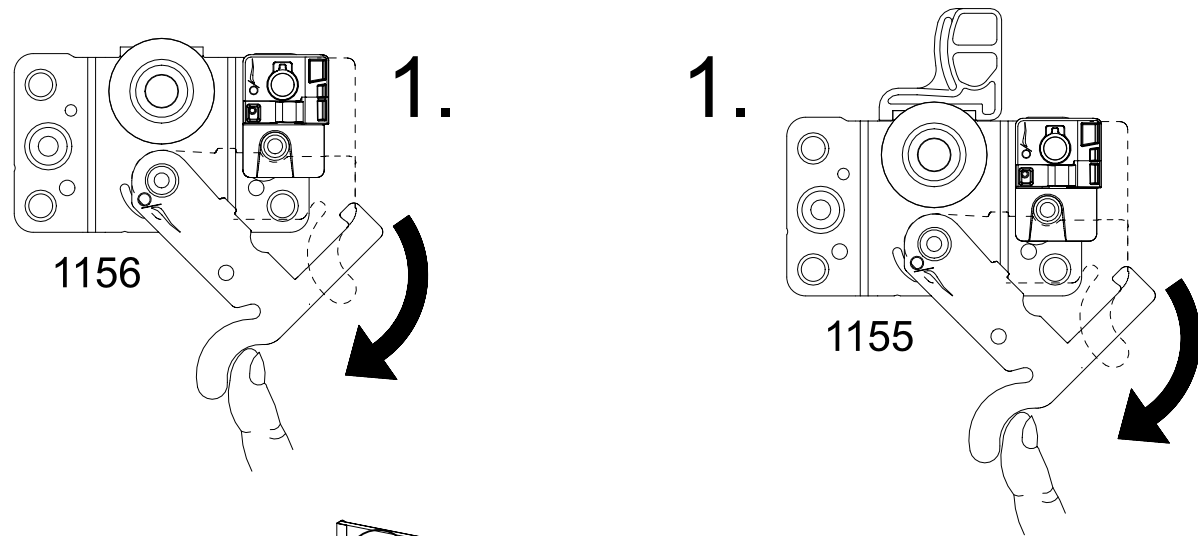




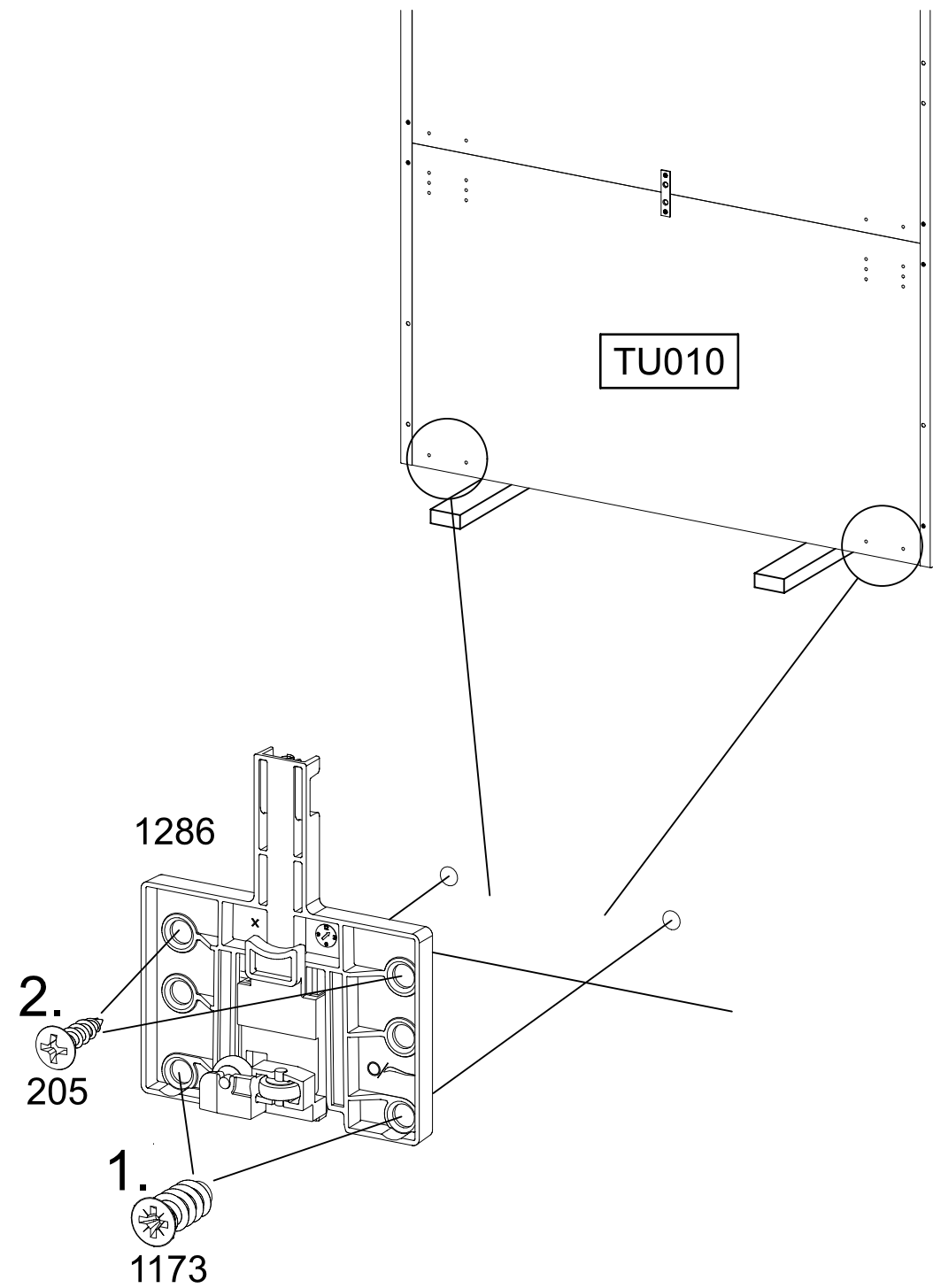
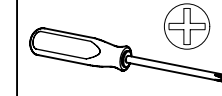


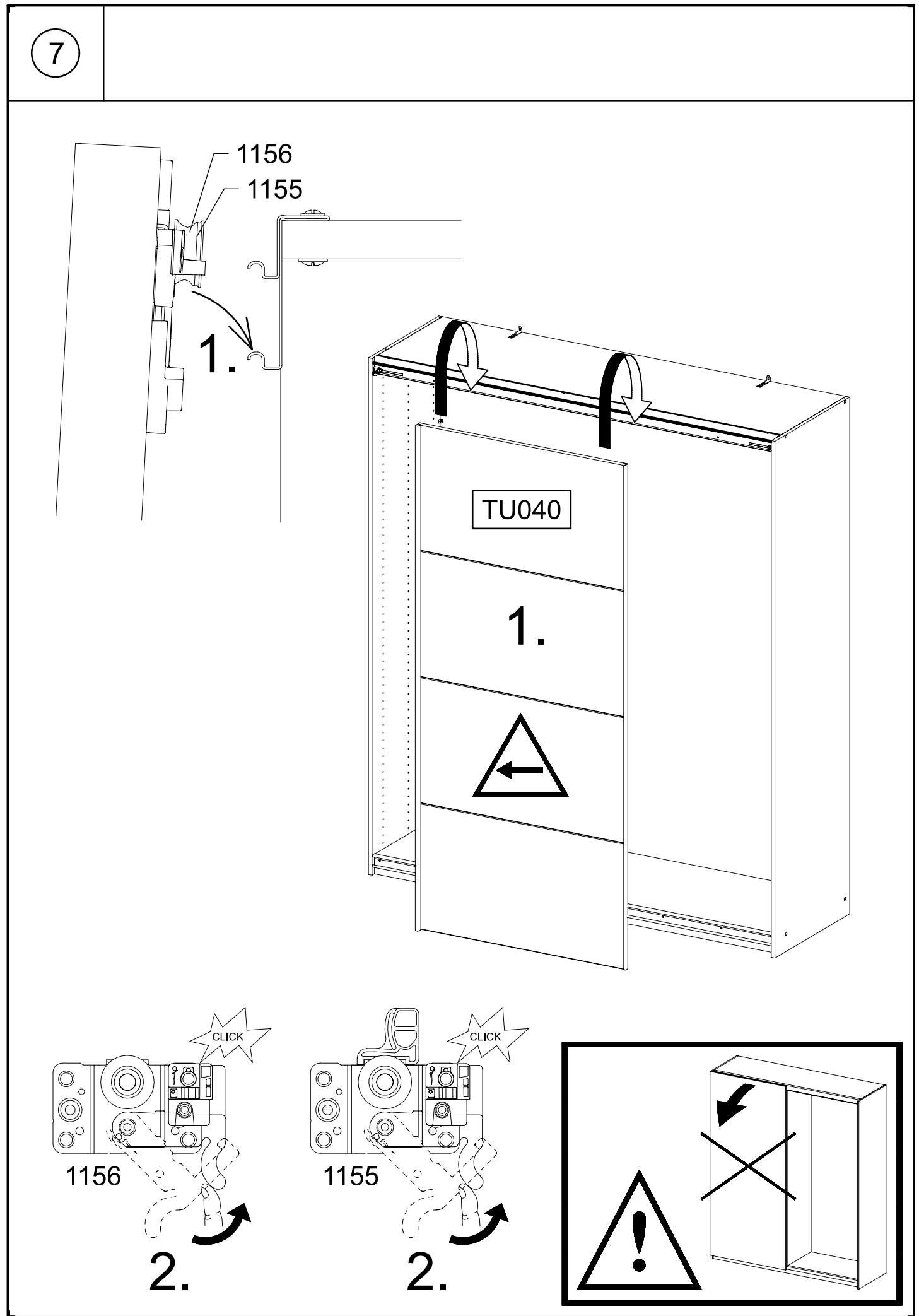
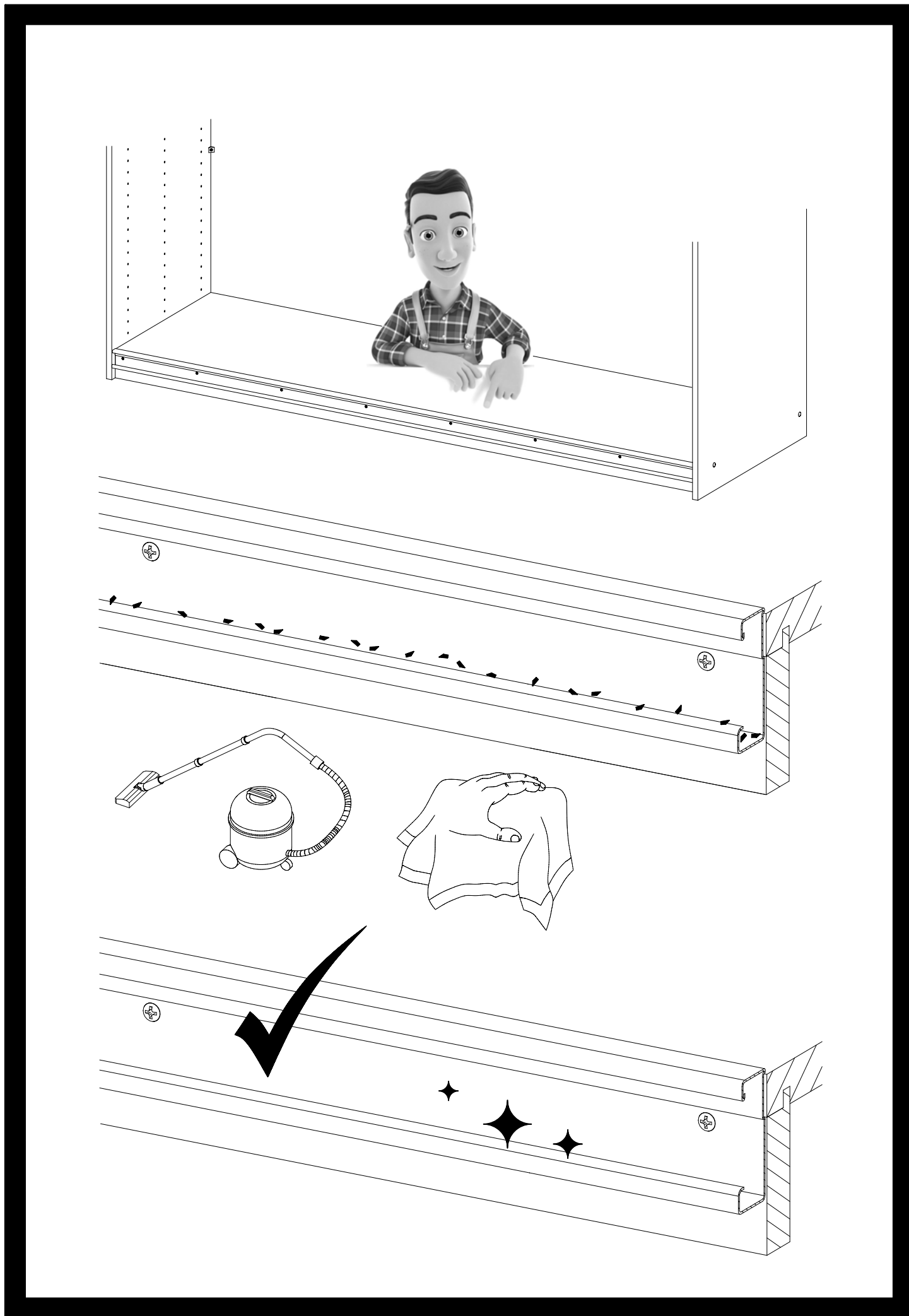


- 5
- 1x 1155
- 1x 1156
- 8x 1173 6,3x14
- +

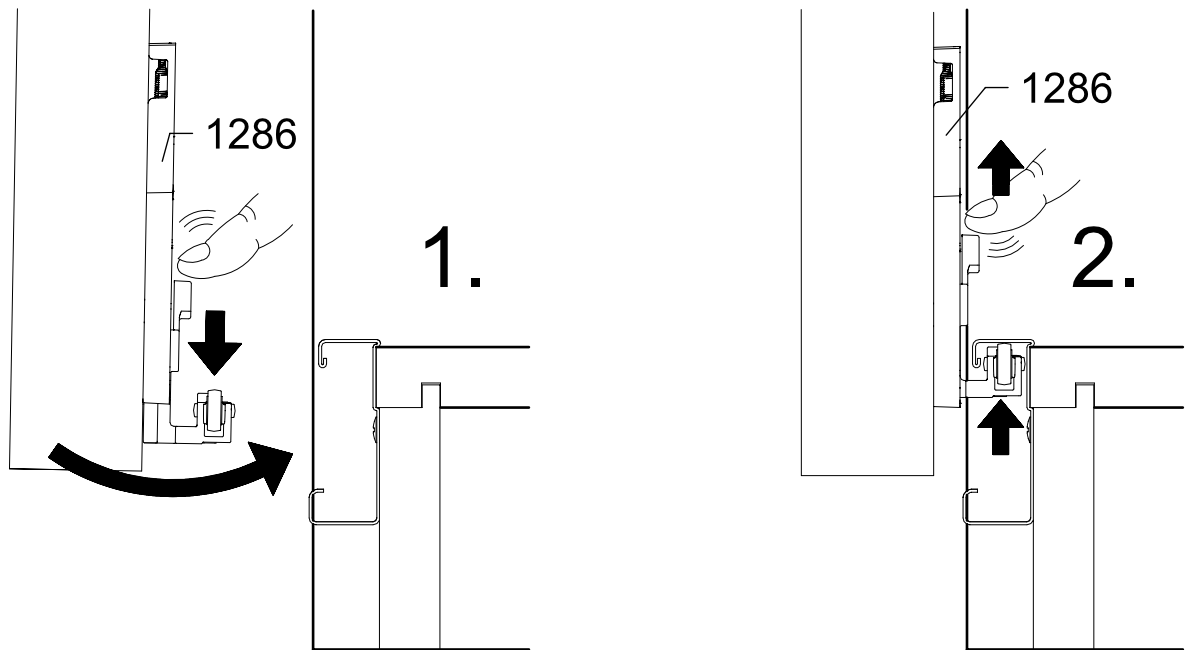
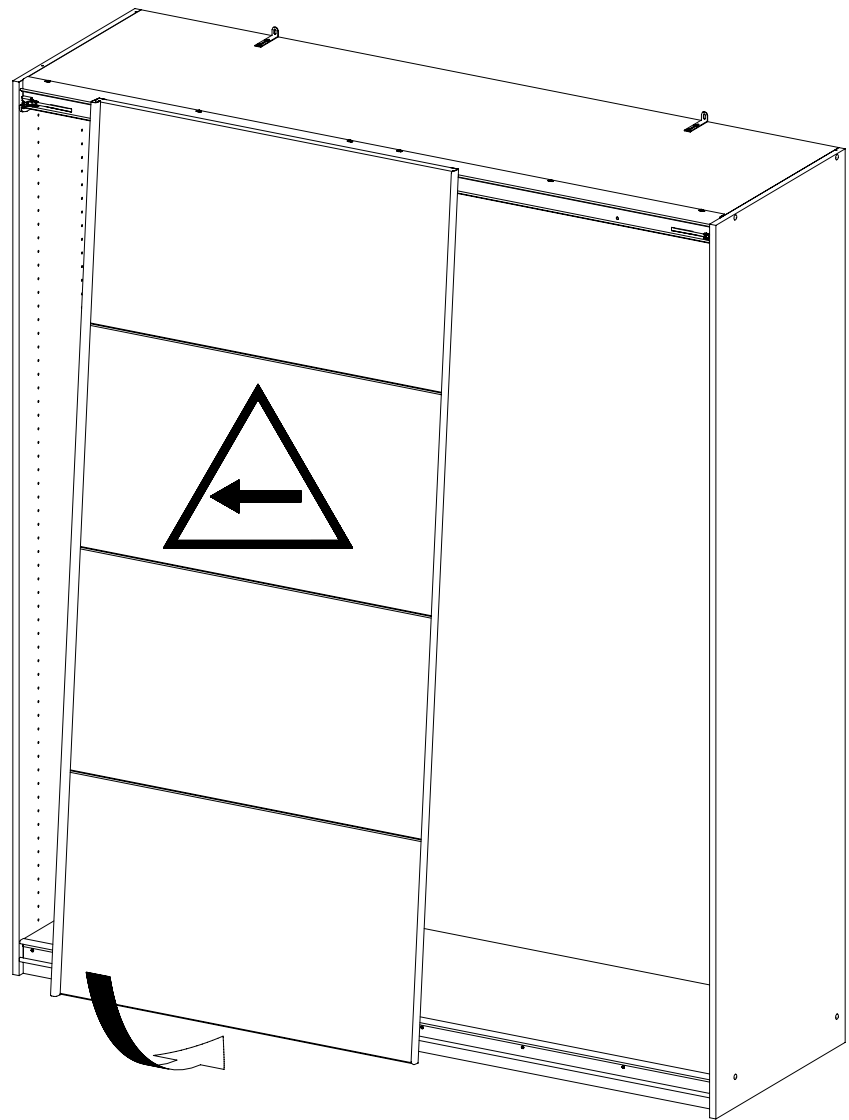


- 6
- 4x 205 3,5x15
- 4x 1173 6,3x14
- 2x 1286
- +



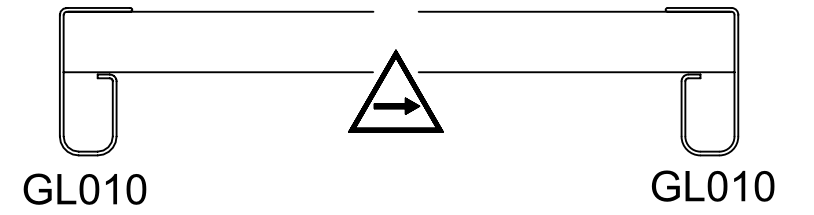
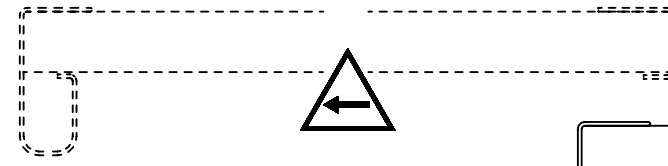
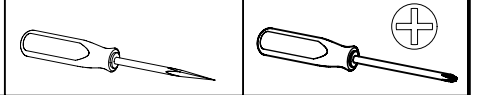


8

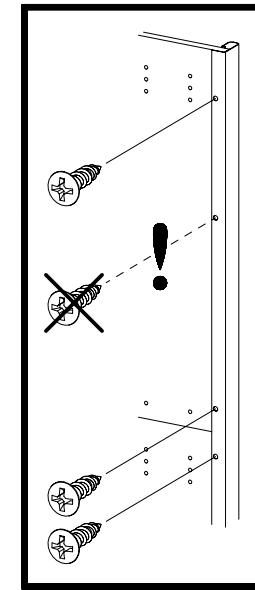
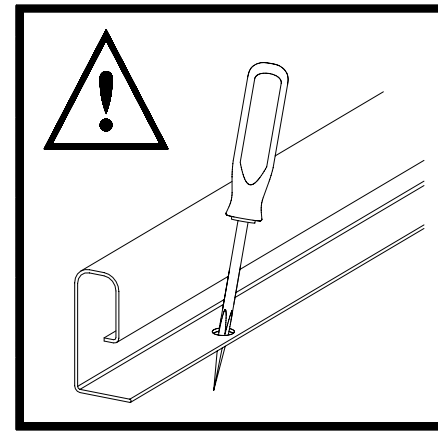


9

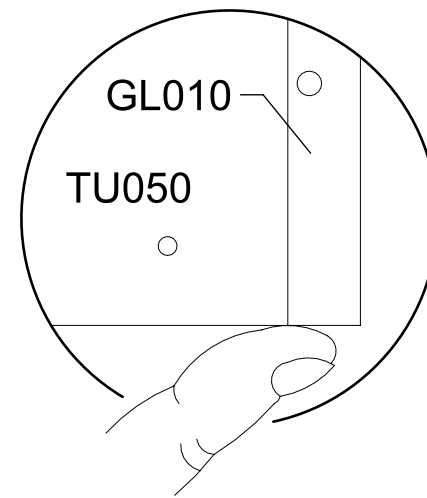
2x 205 3,5x15



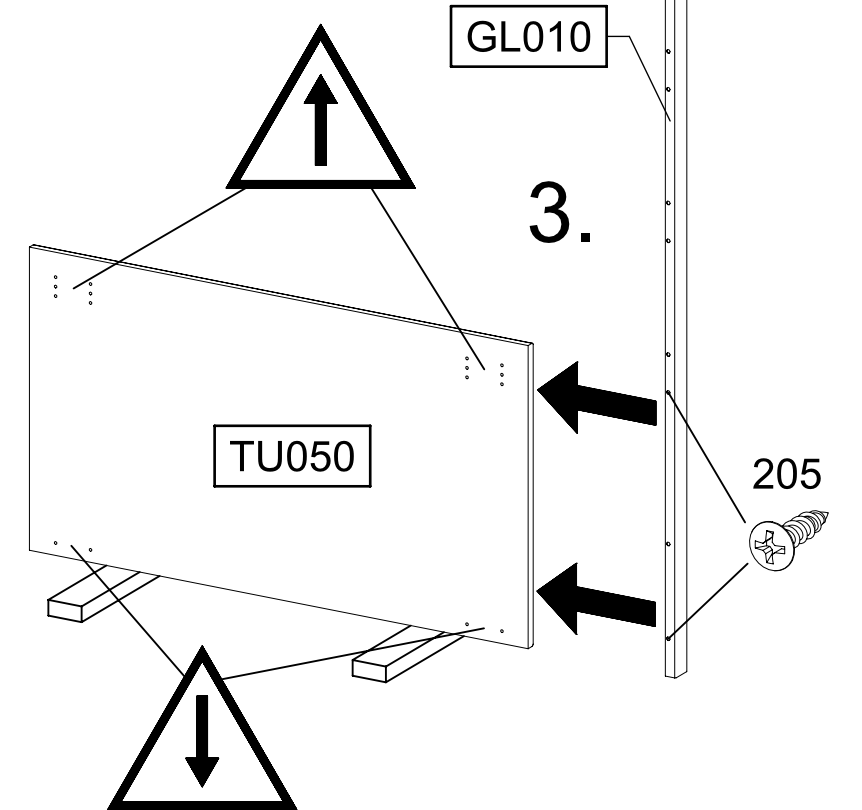
1.

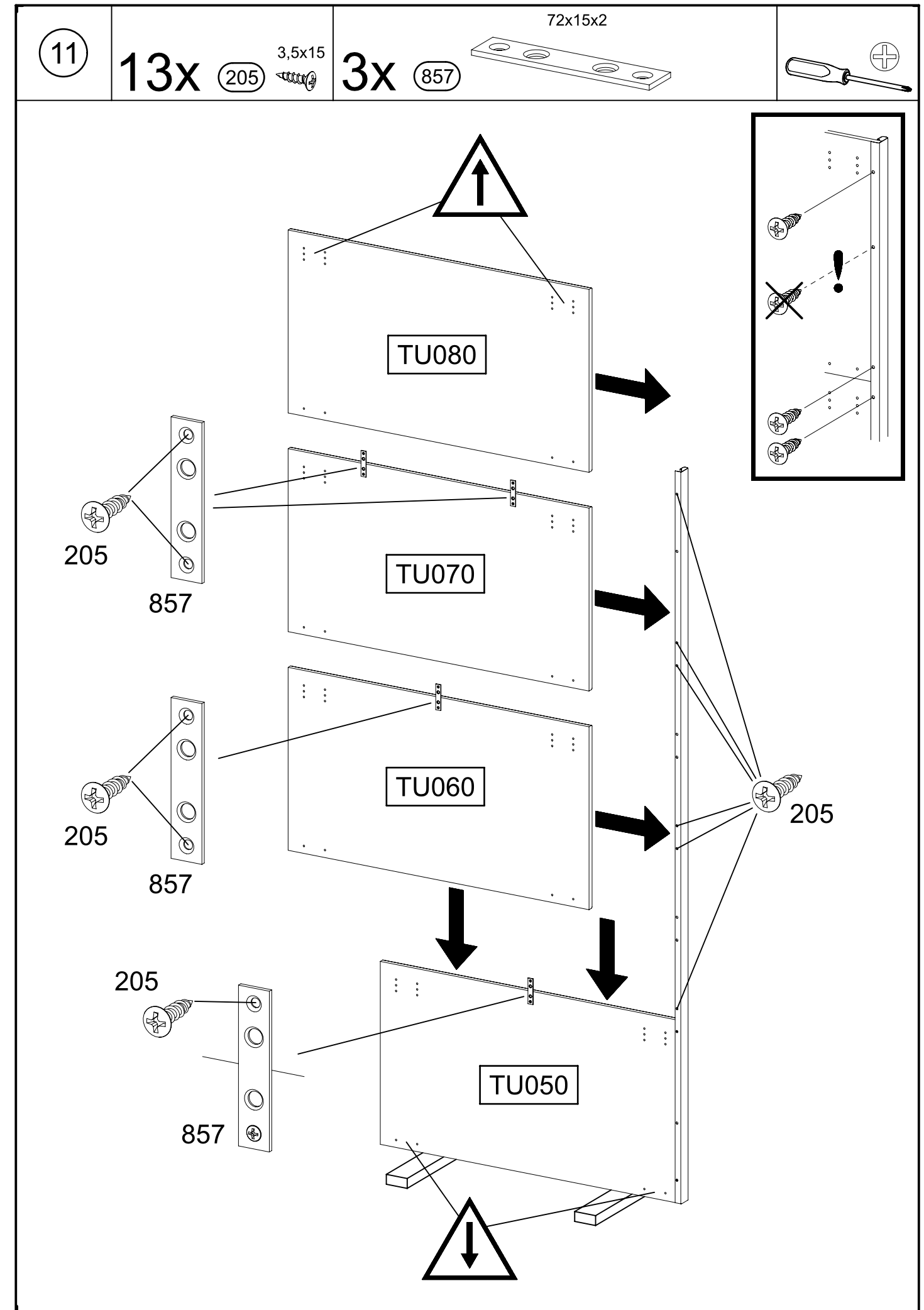
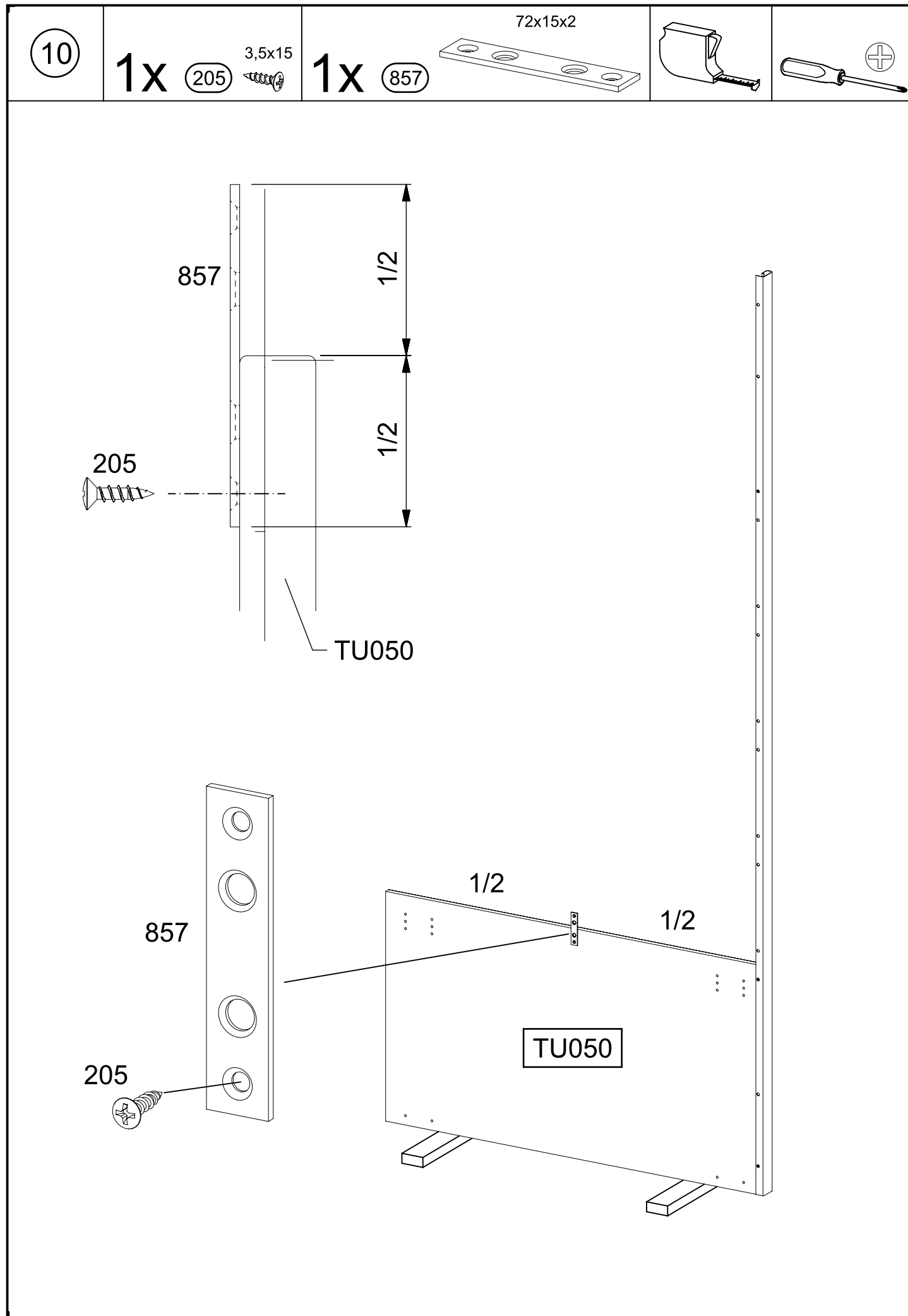


2.



3.



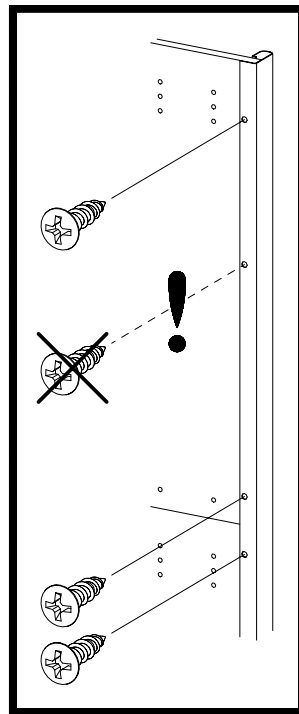
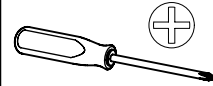


12

8x

205

3,5x15



GL010

2.



205

2.



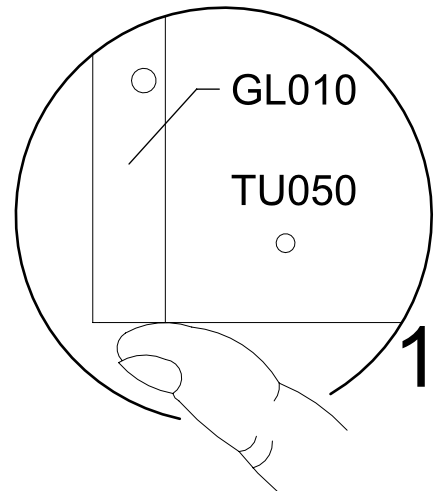
205

TU080

TU070

TU060

TU050



1.

13

8x

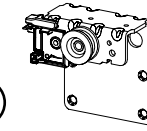
1173

6,3x14



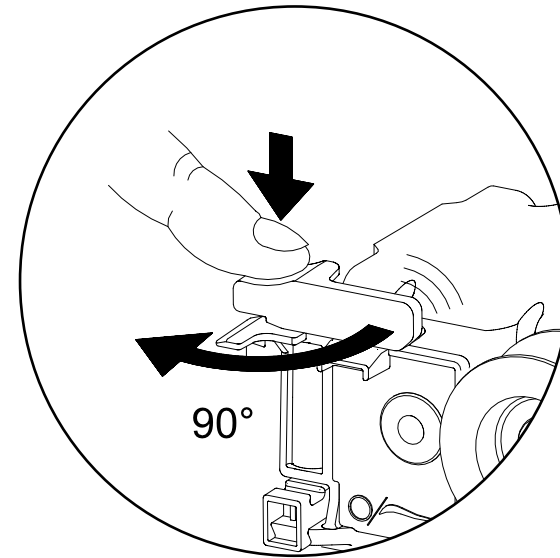
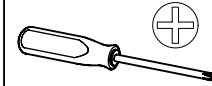
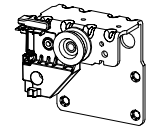
1x

1177



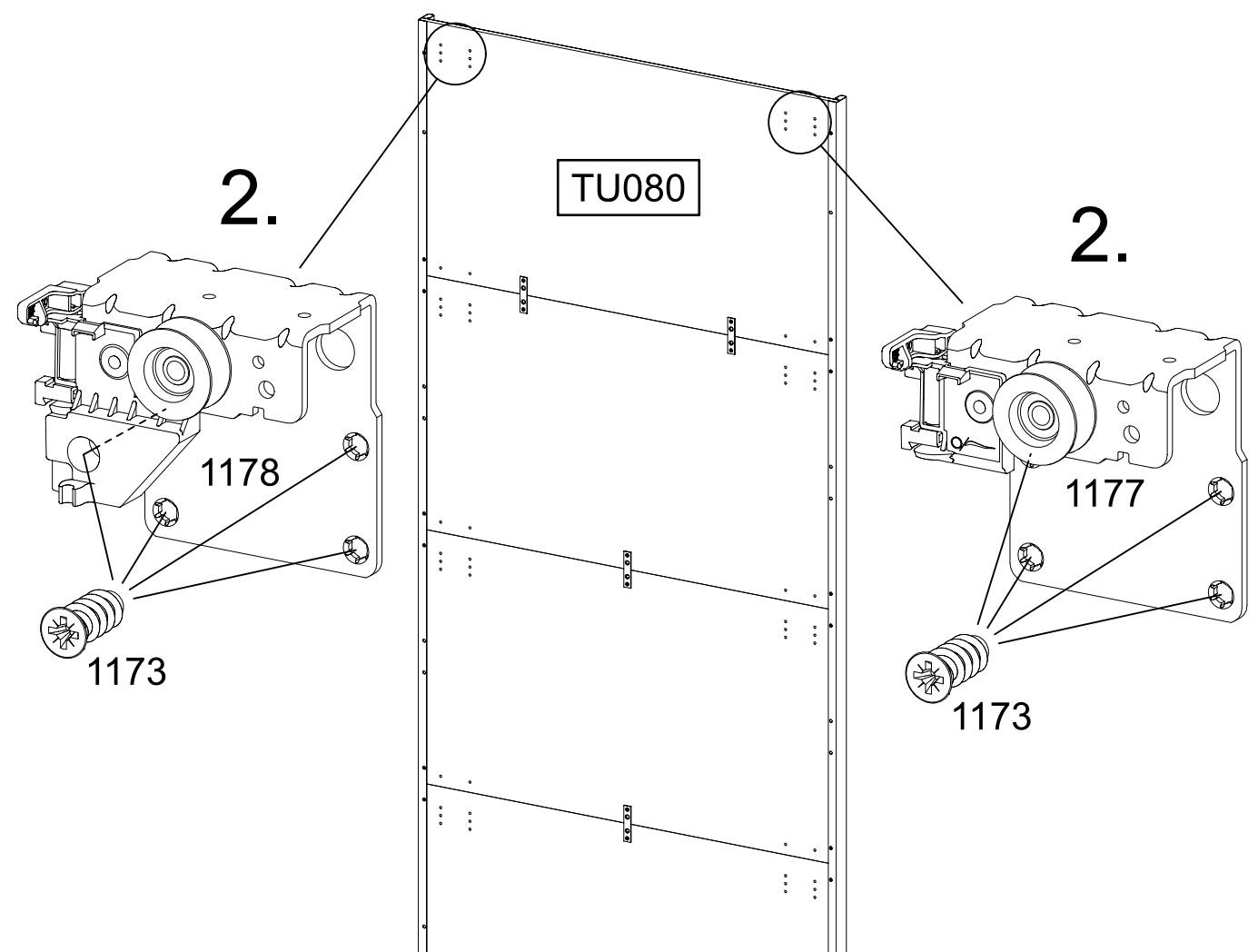
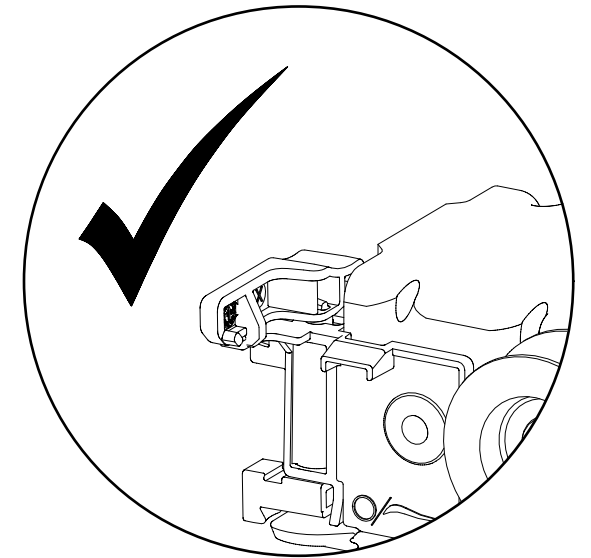
1x

1178



90°

1.



2.

TU080

2.

1178

1173

1177

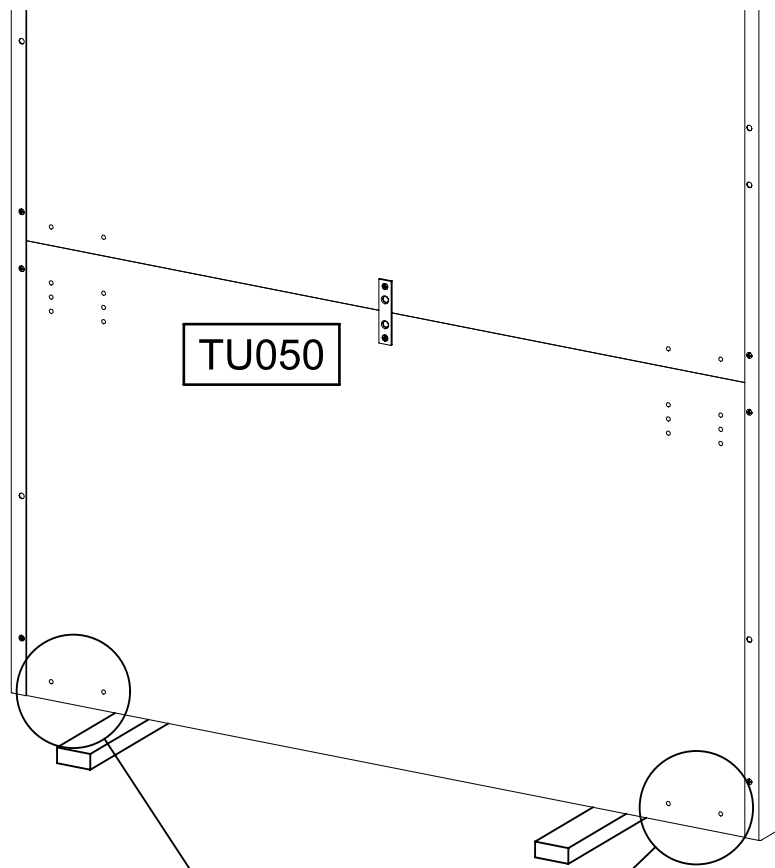
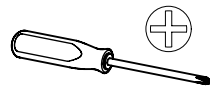
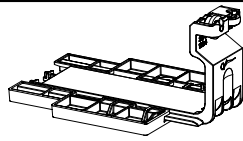
1173

14

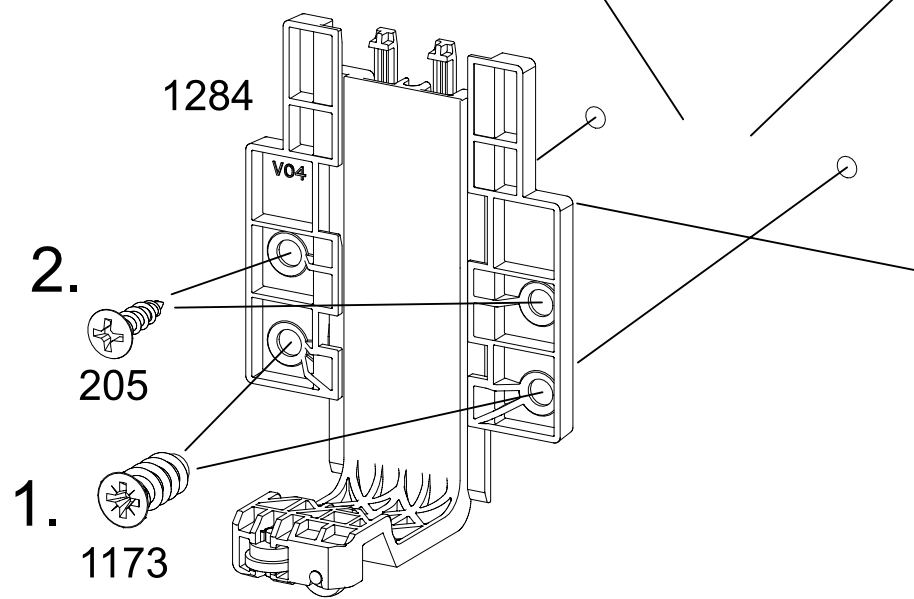
4x 205 3,5x15

4x 1173 6,3x14

2x 1284



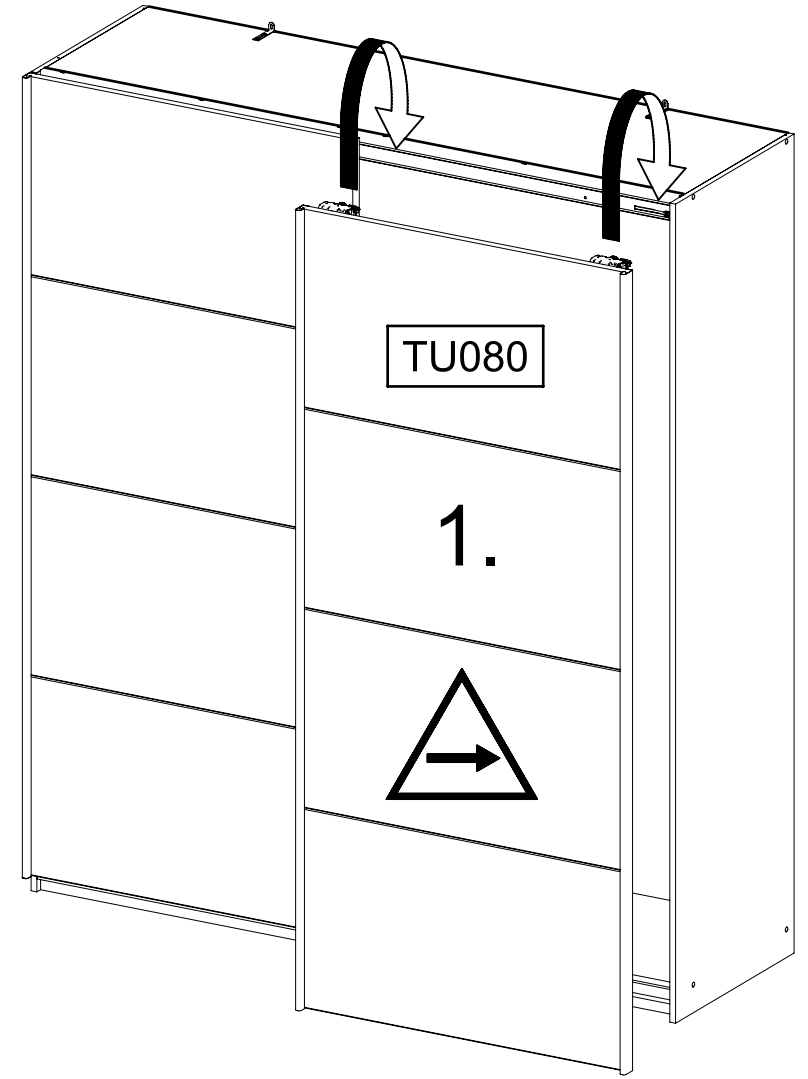
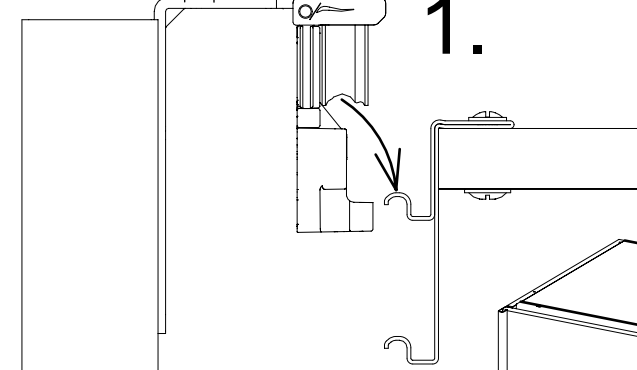
TU050



15

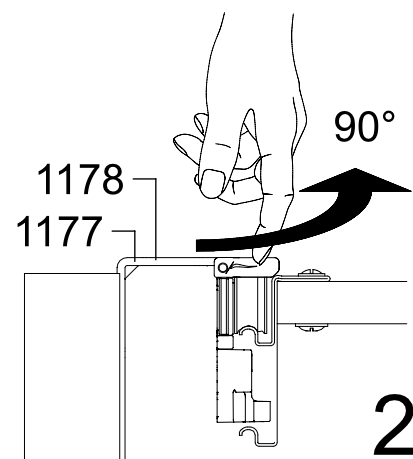
1177 1178

1.



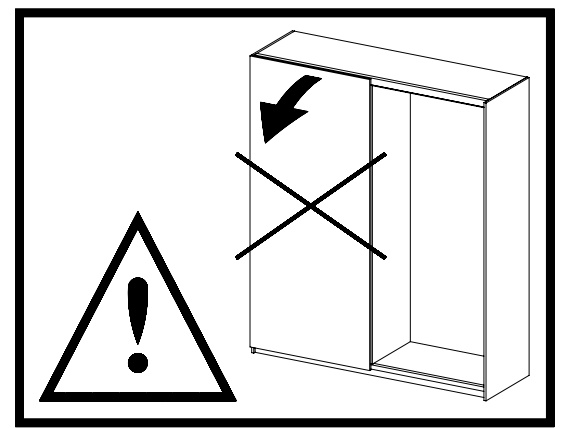
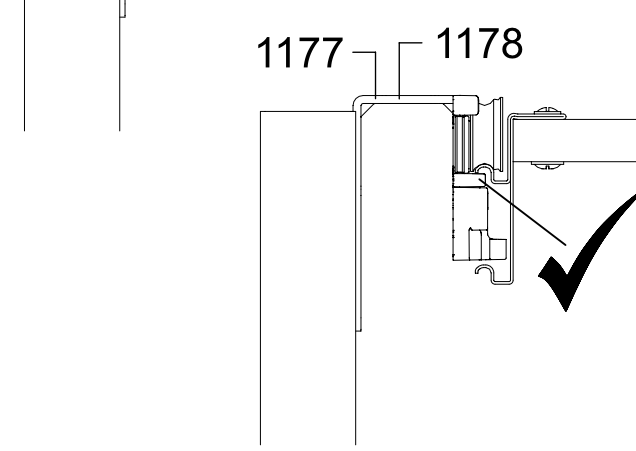
TU080

1.

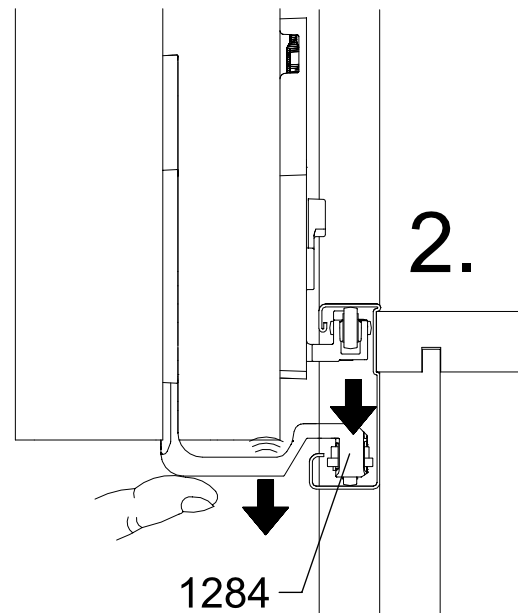
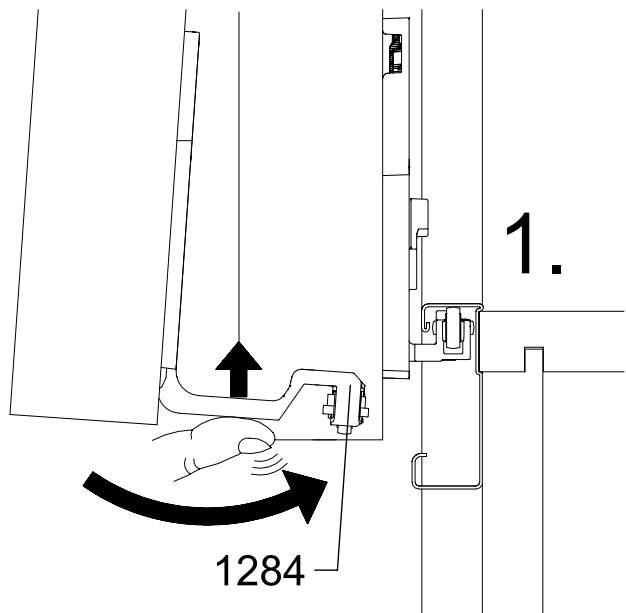
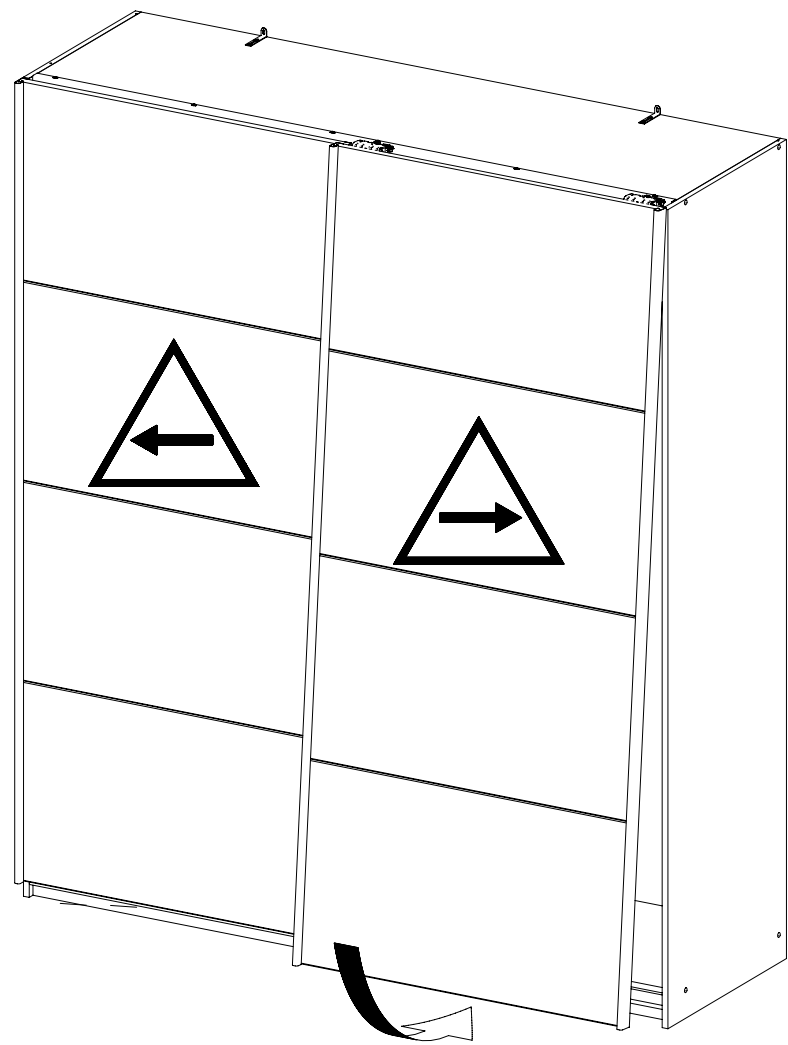


2.

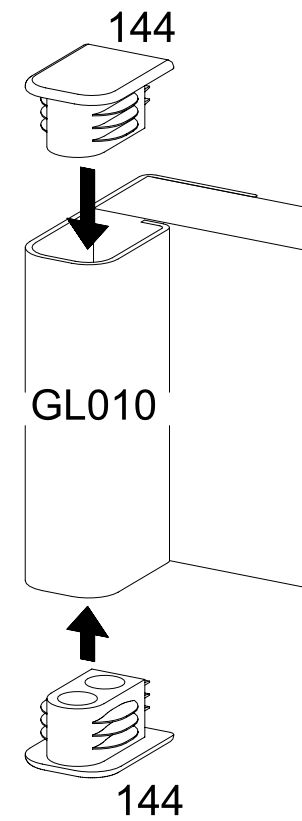
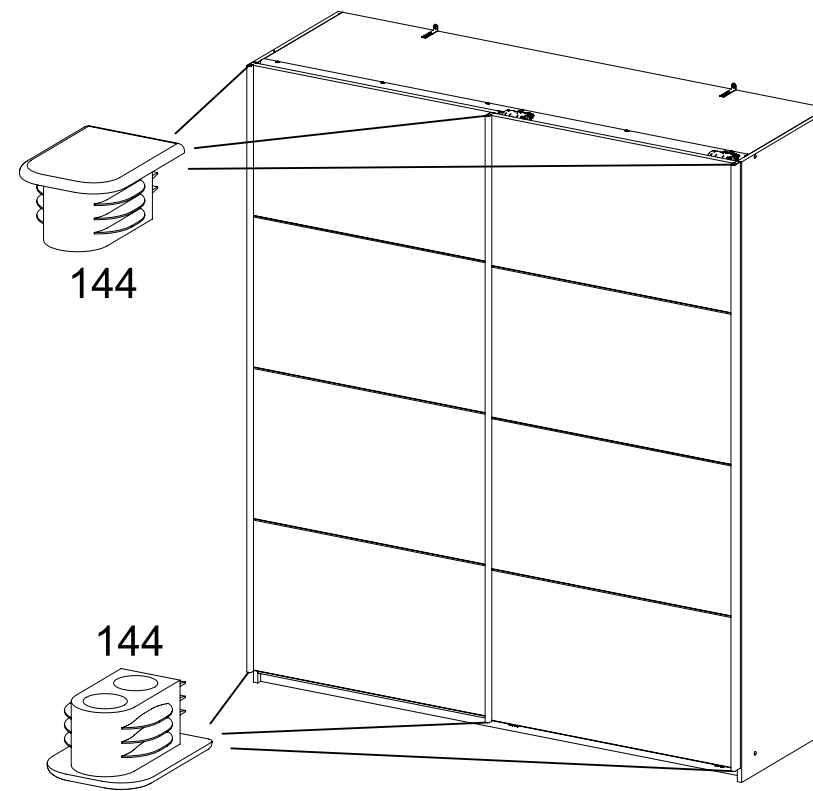
1177 1178

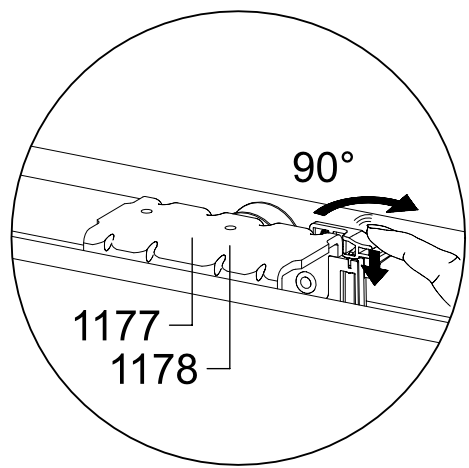


16

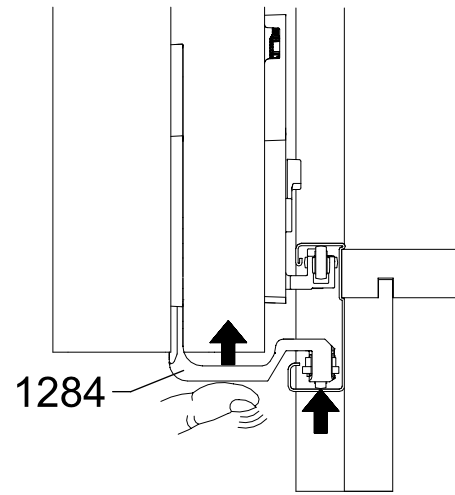
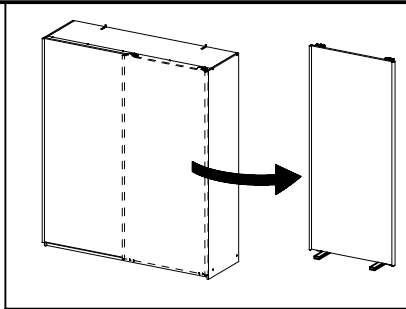
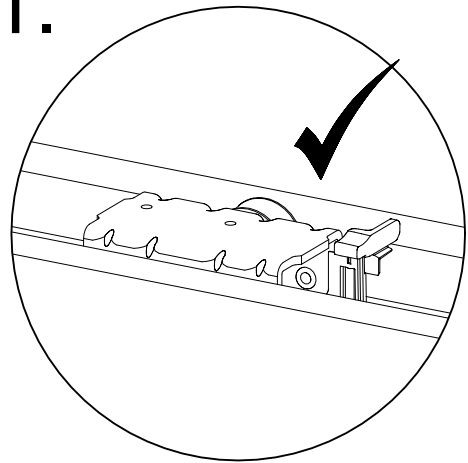


6x 144

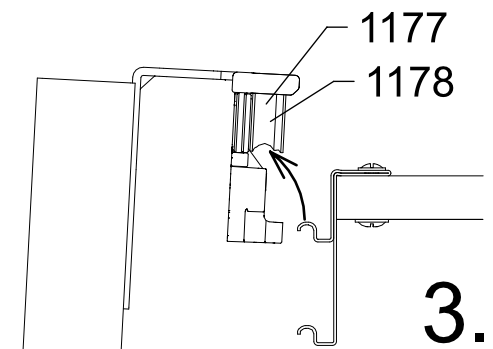
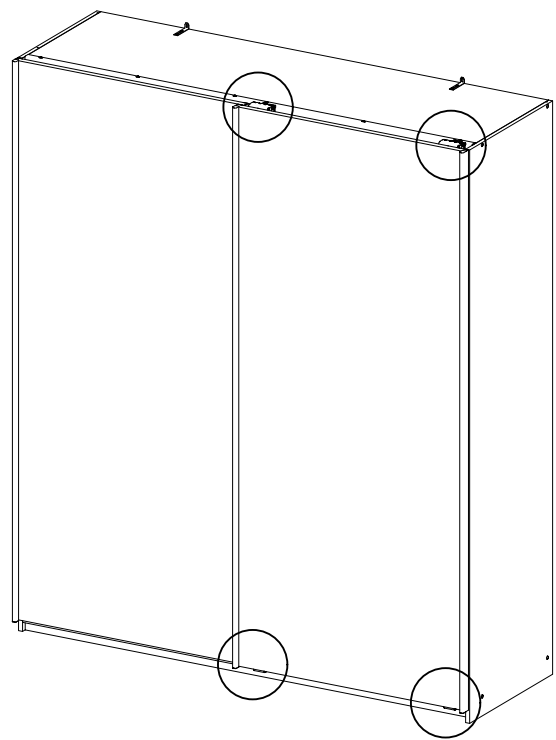
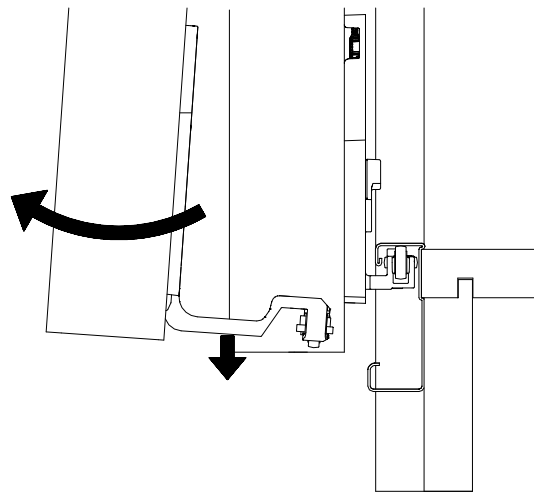




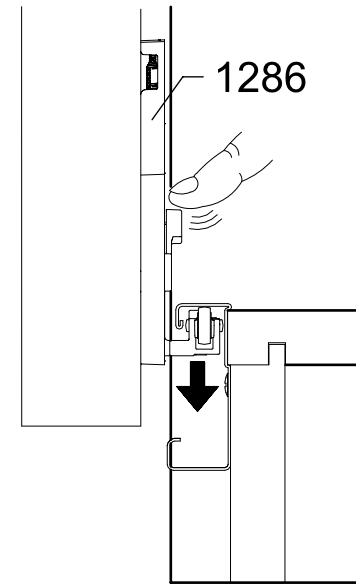
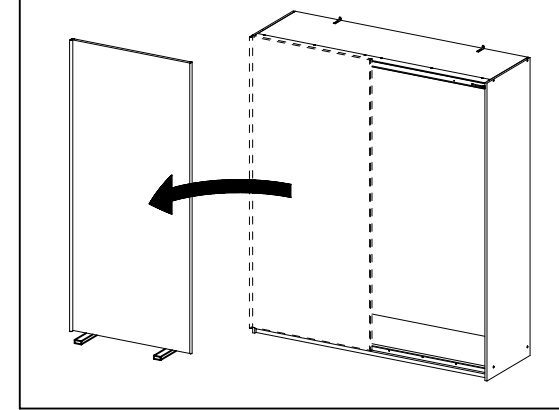
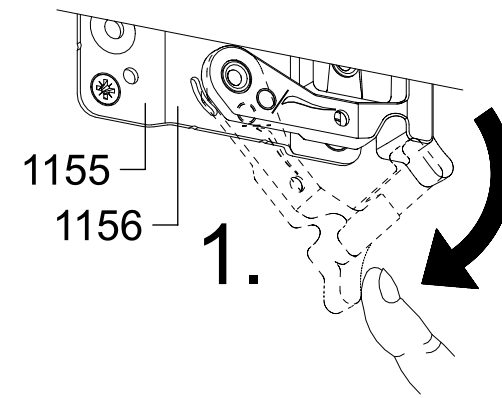
1.



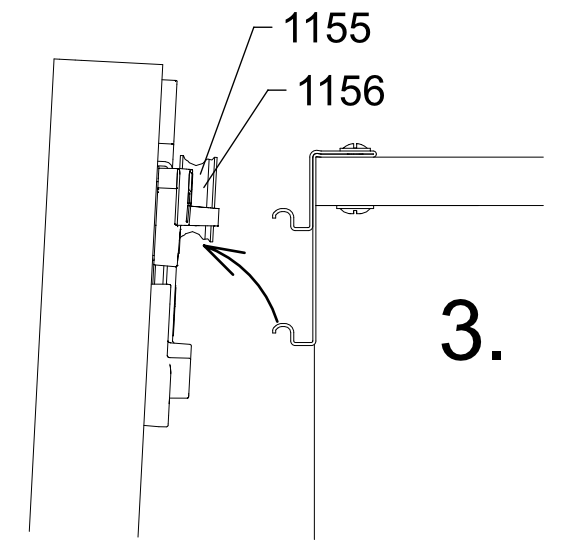
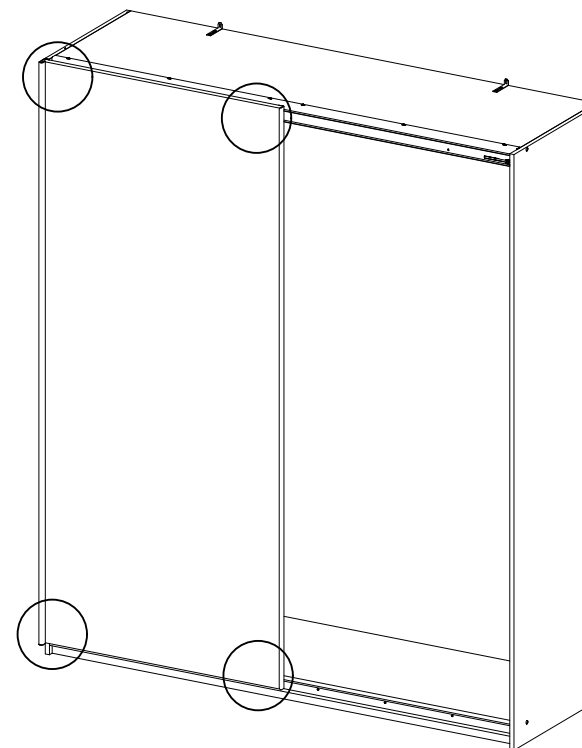
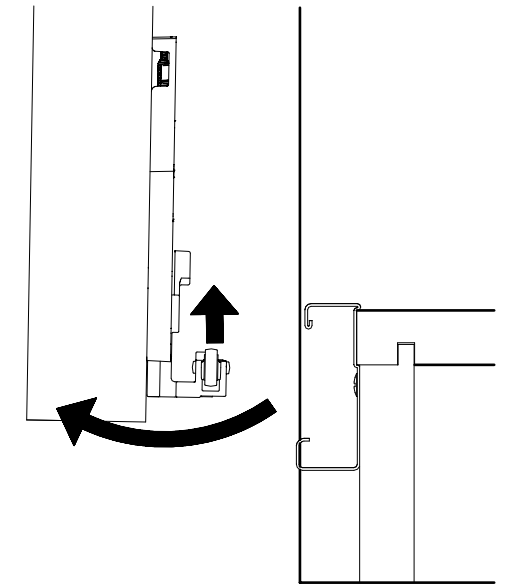
2.



3.



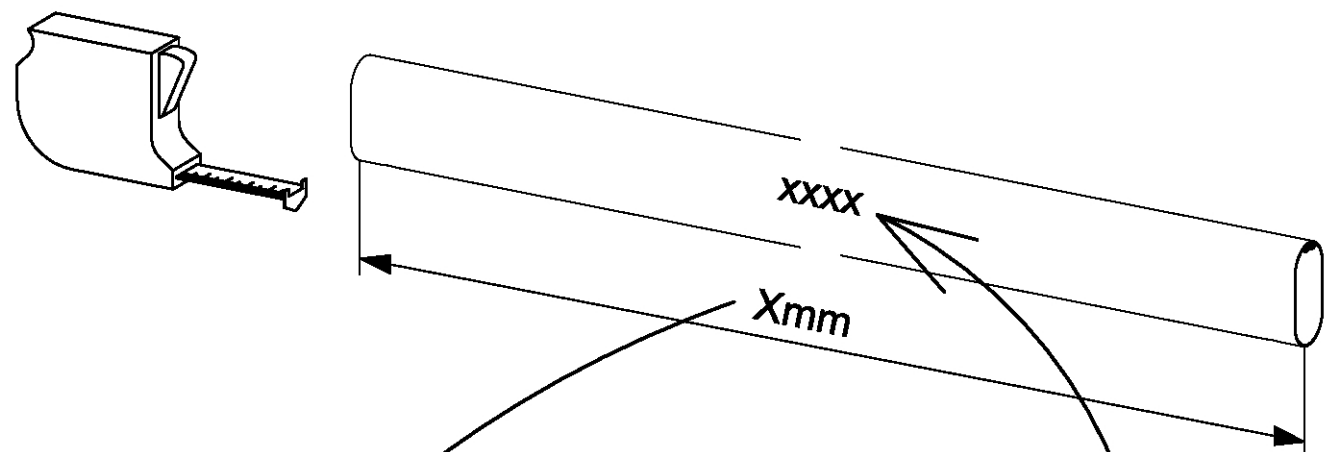
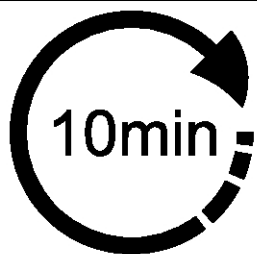
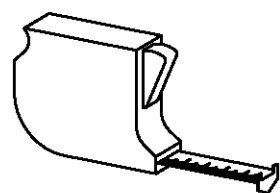
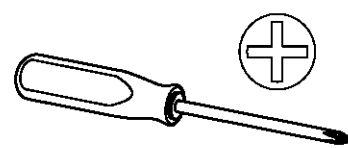
2.



3.

MZ110_02

rauch



Xmm			xxxx
393mm	max. 40kg		2000
426mm	max. 40kg		2001
563mm	max. 40kg		2002
650mm	max. 40kg		2003
809mm	max. 40kg		2004
873mm	max. 40kg		2006
1097mm	max. 40kg		2008

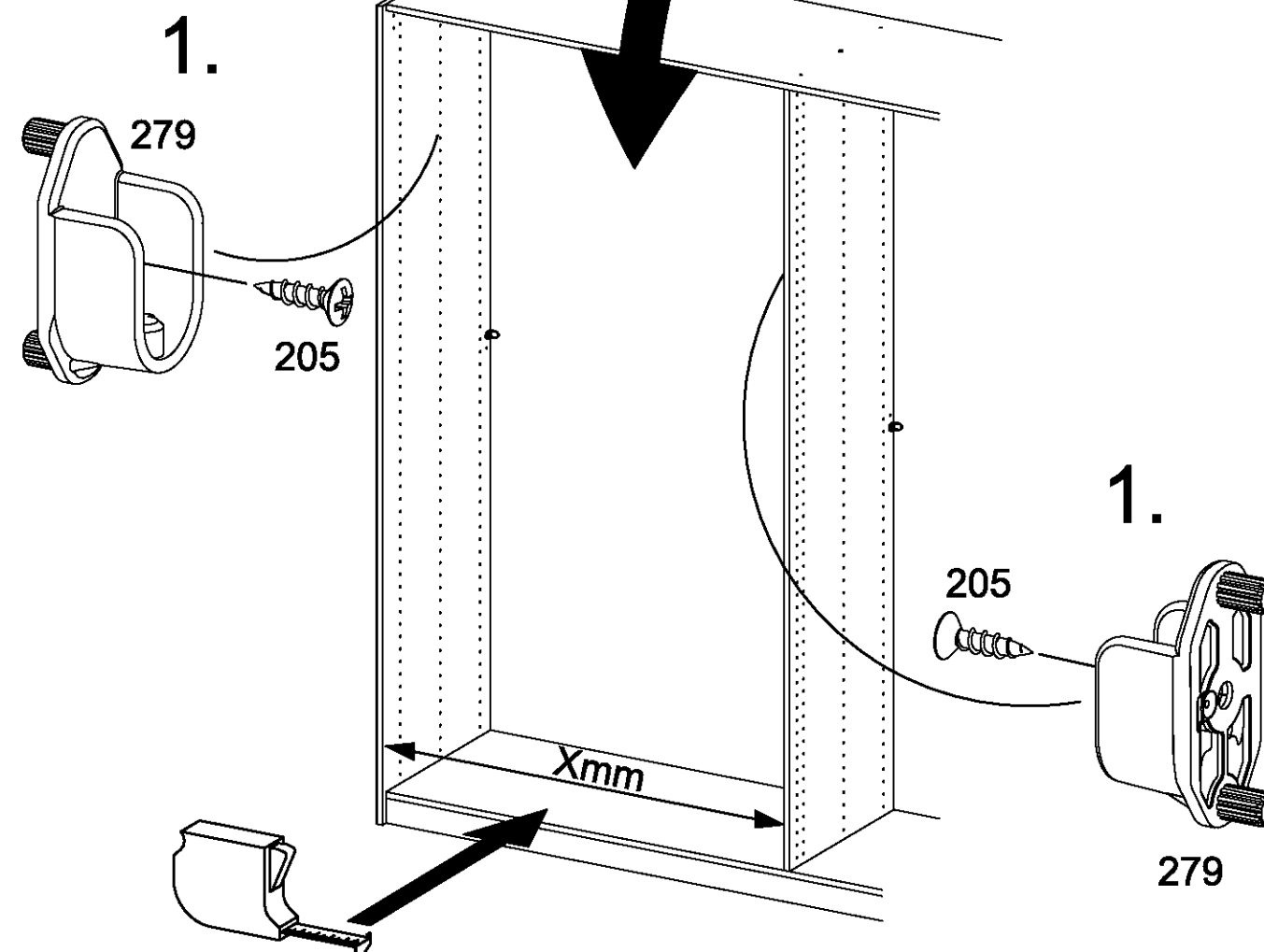
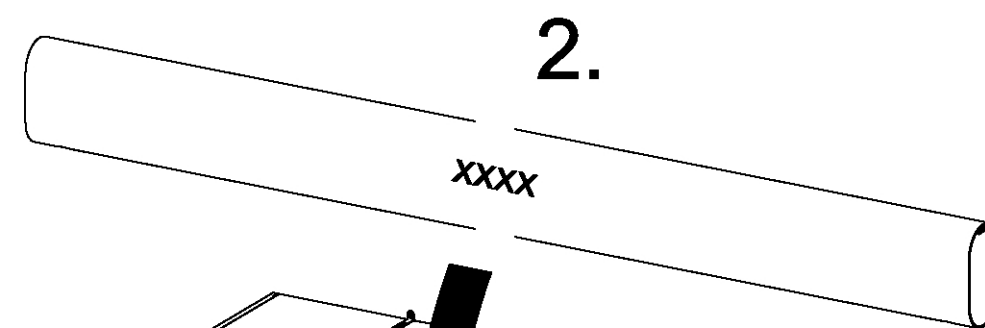
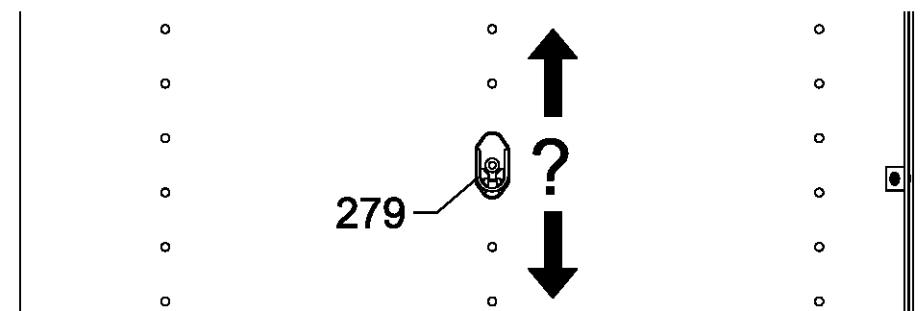
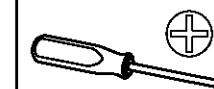
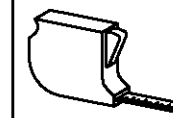


xxxx = 2000, 2001, 2002, 2003, 2004, 2006, 2008

1

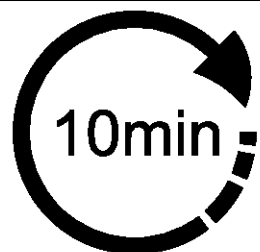
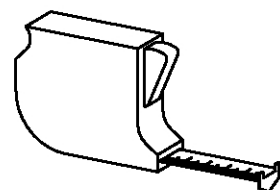
2x 205 3,5x15

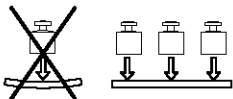
2x 279

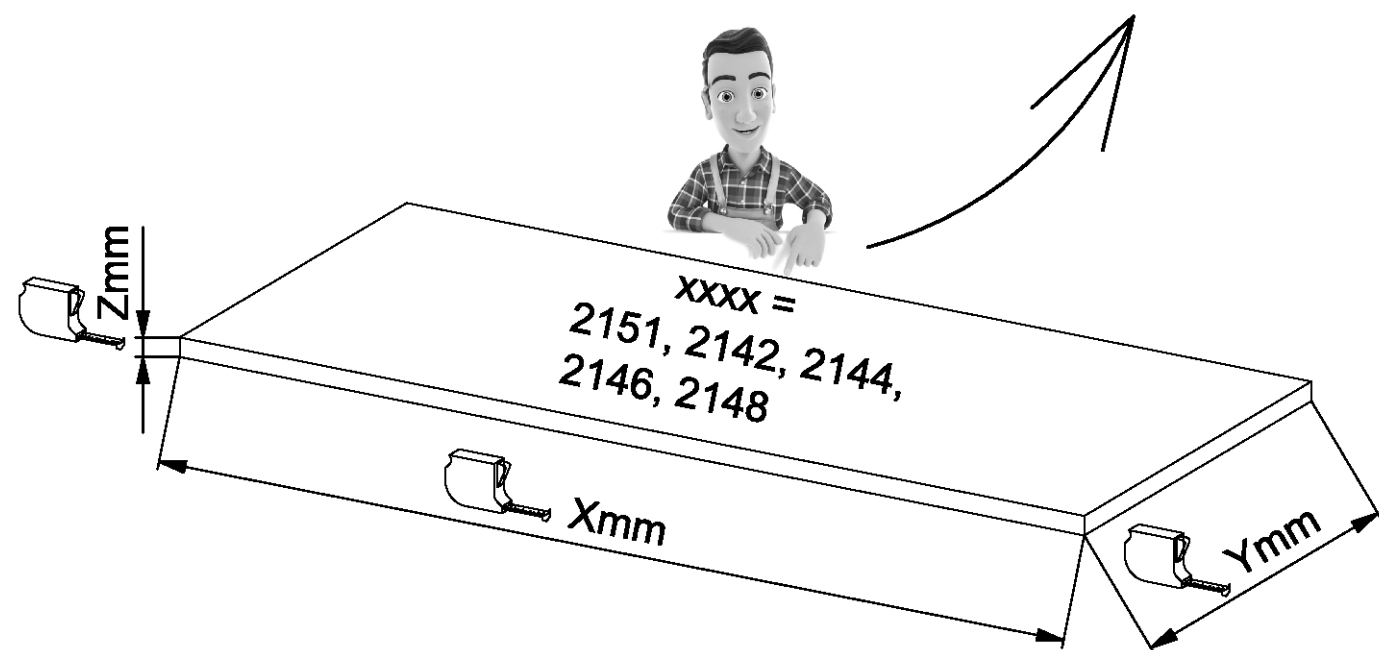


MZ113_03


rauch

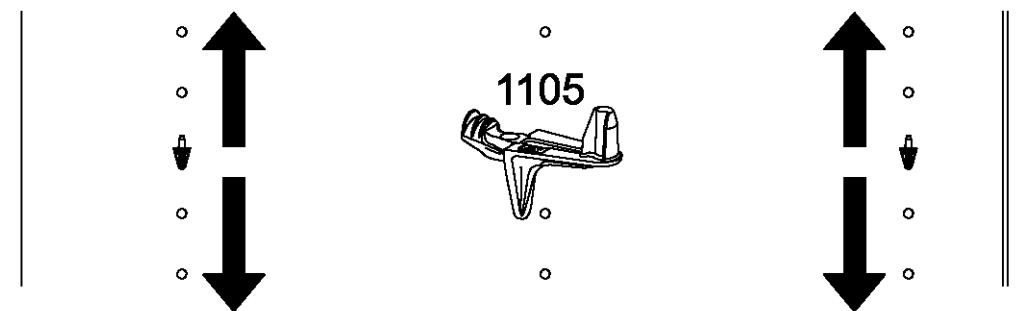


Xmm	Ymm	Zmm		xxxx
241mm	480mm	16mm	max. 10kg	2151
432mm	480mm	16mm	max. 10kg	2142
656mm	480mm	16mm	max. 10kg	2144
880mm	480mm	16mm	max. 10kg	2146
1104mm	480mm	22mm	max. 25kg	2148

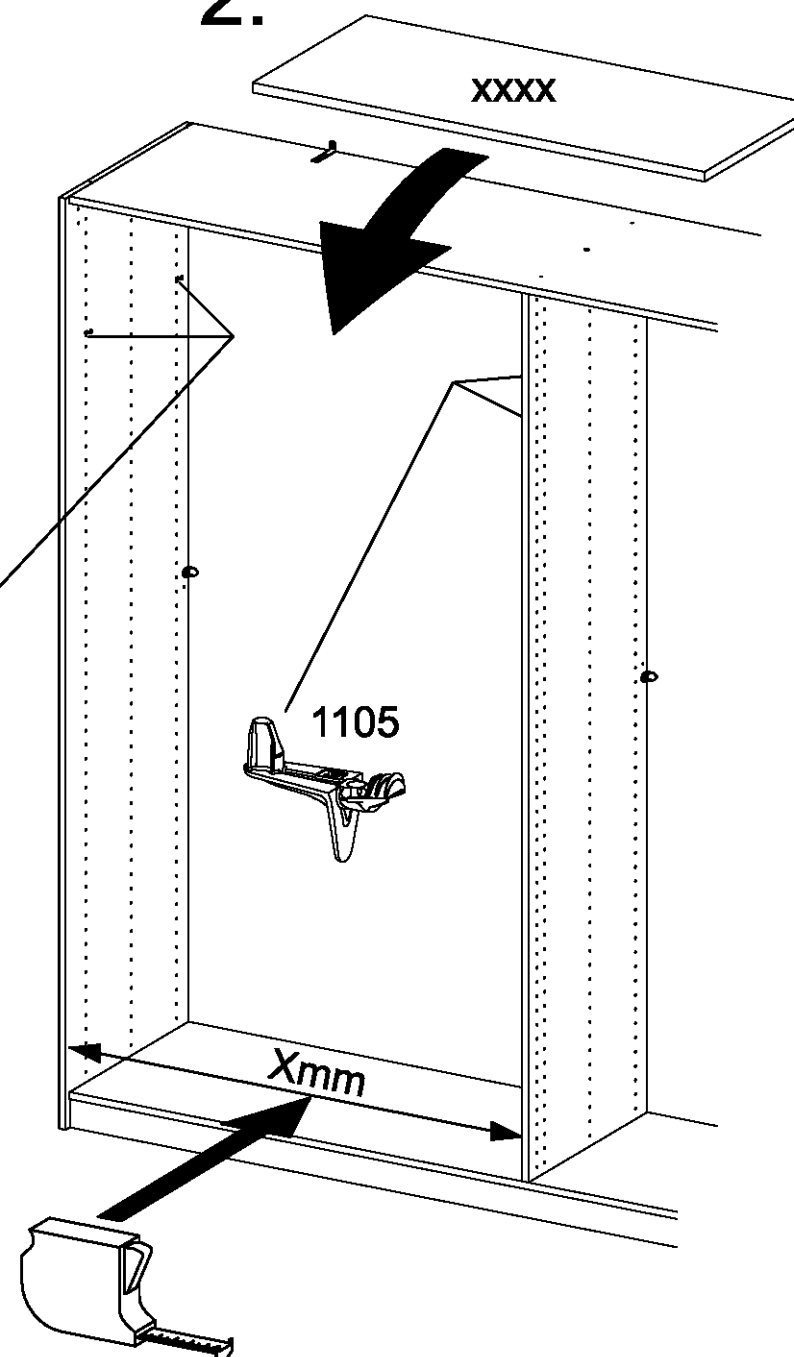


1

4x 1105 



2.



3.

