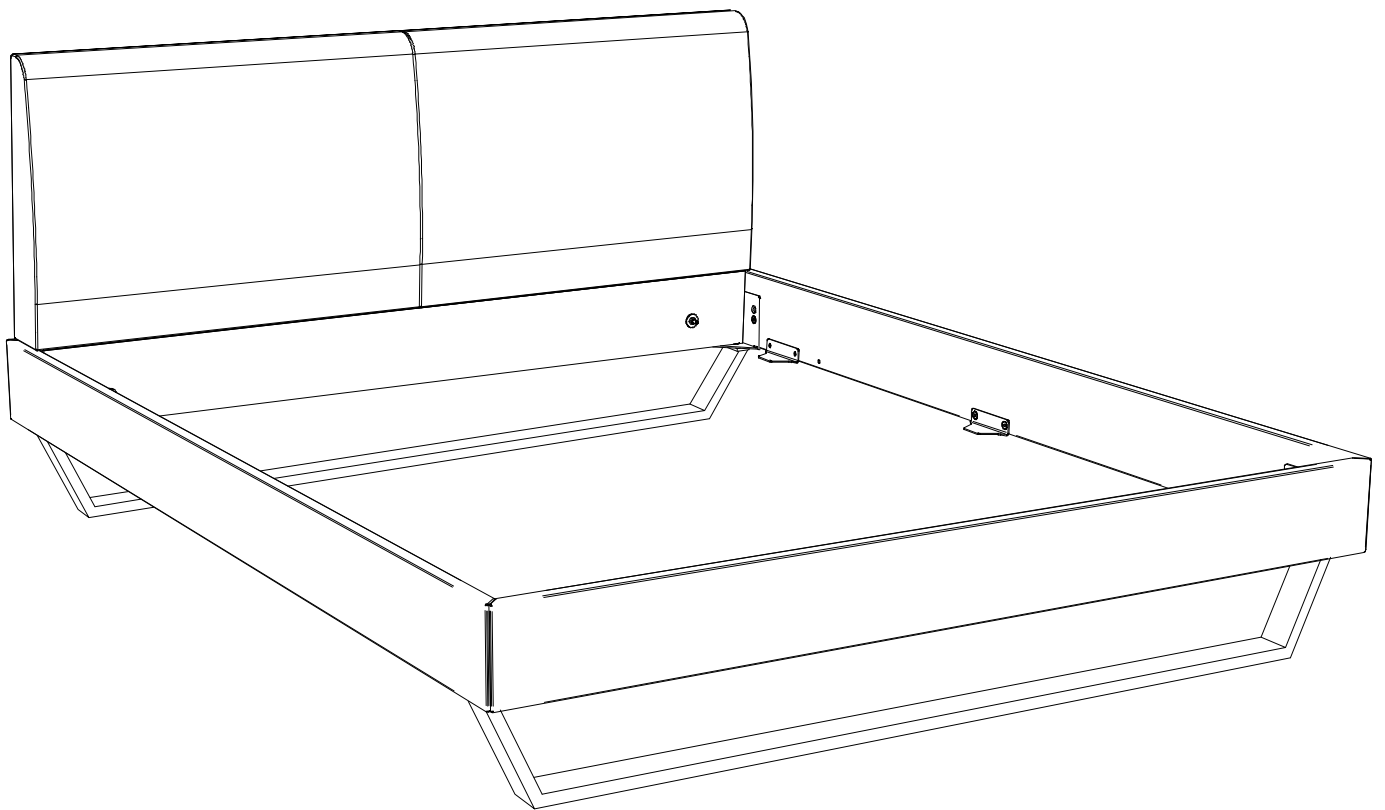
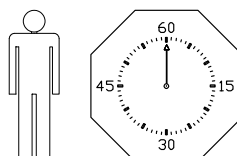
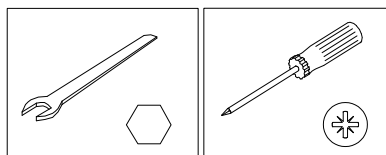


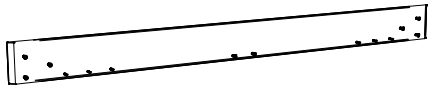
Pietro



Benötigte Werkzeuge – Outils Nécessaires – Tools Required – Attrezzi Necessari



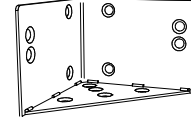
A x2



B x2

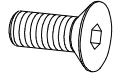


C x4



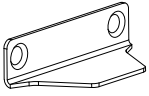
630.10142

D x26
M8x20



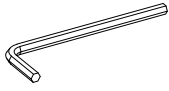
631.87200

E x2

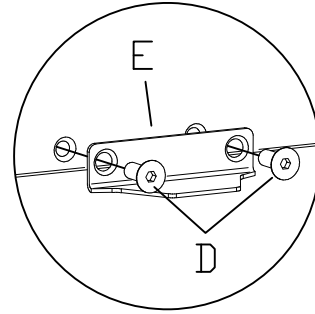


630.09942

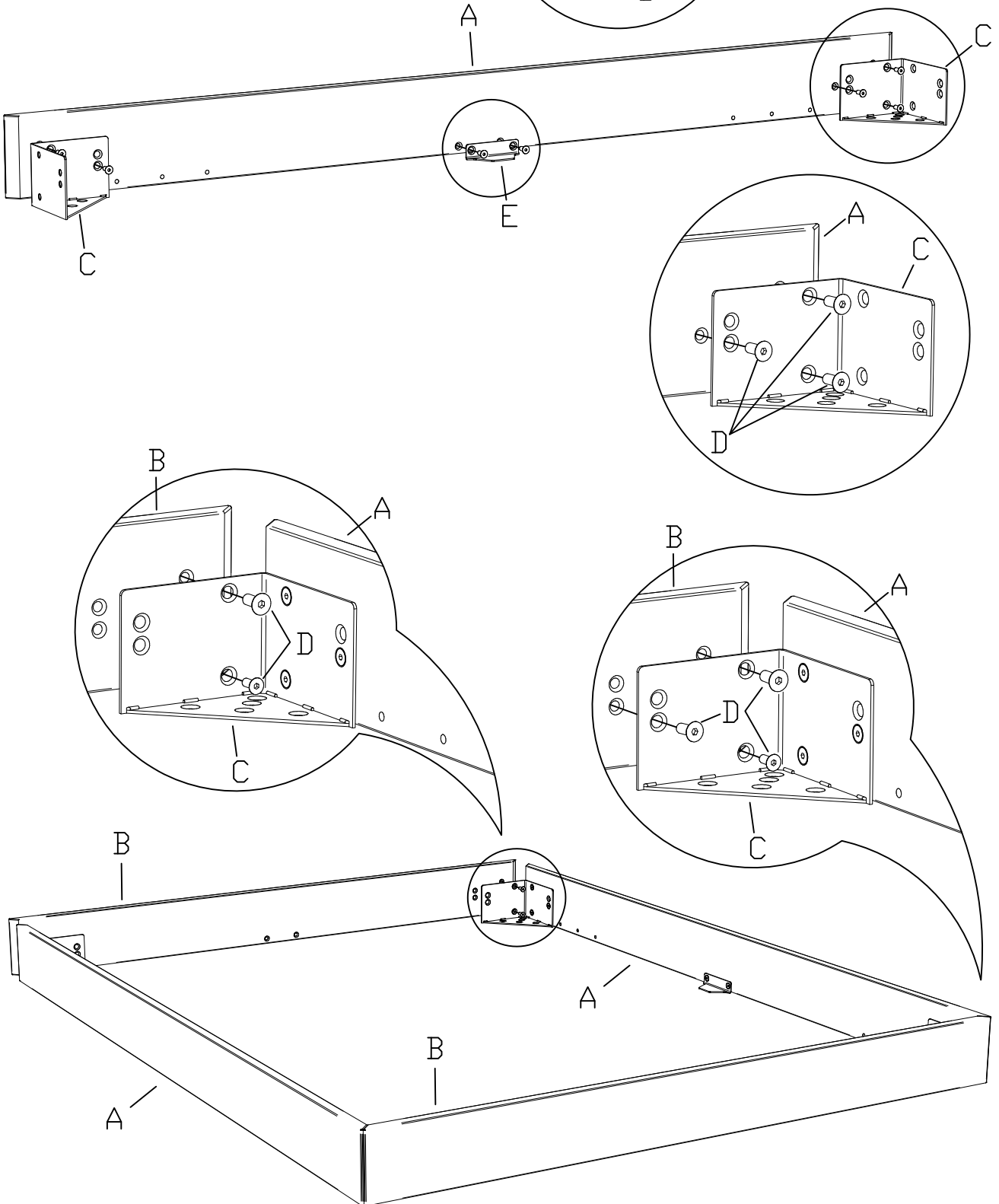
Z x1



631.10000

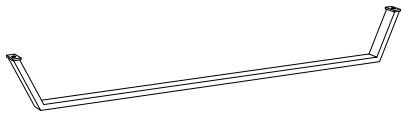


1.

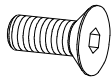


660.01137

F x2

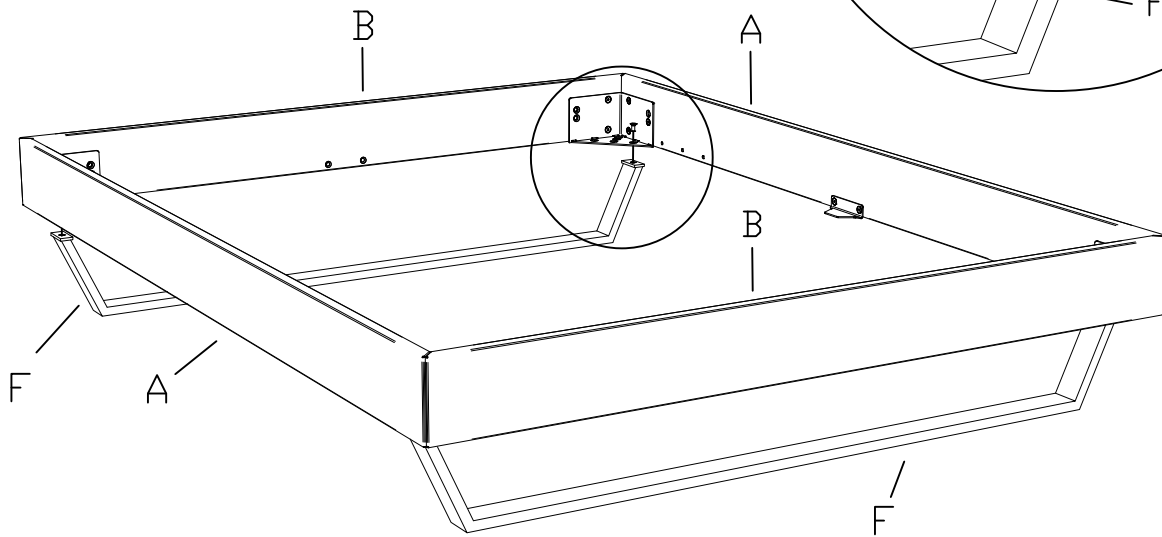
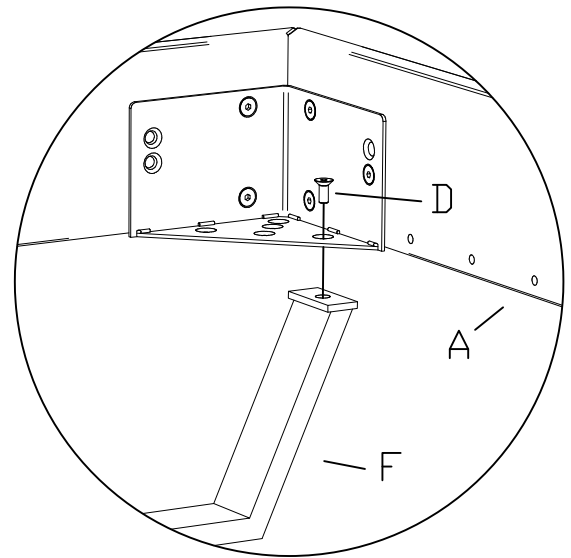


D x4
M8x20



631.87200

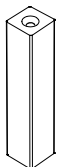
2.



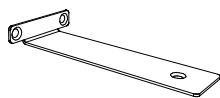
bei Breiten ab 160cm
à partir des dimensions 160cm

for widths from 160cm
della misura 160cm

H x2

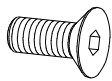


I x2

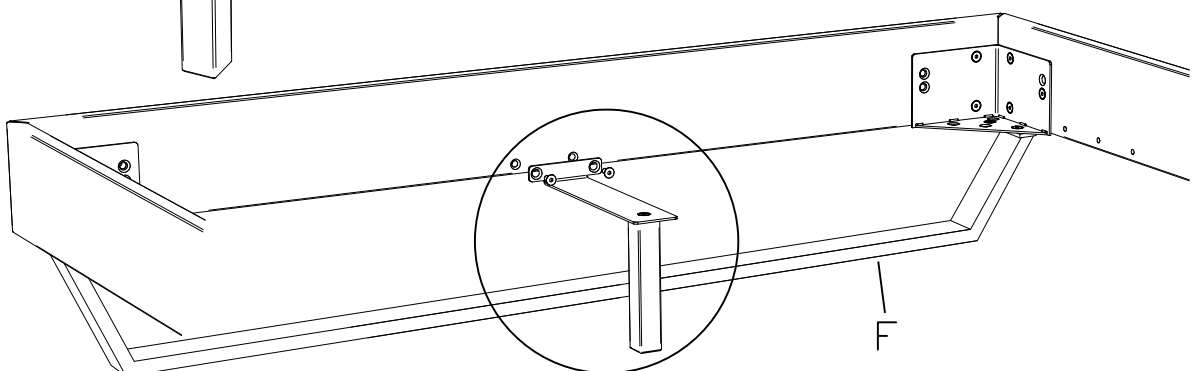
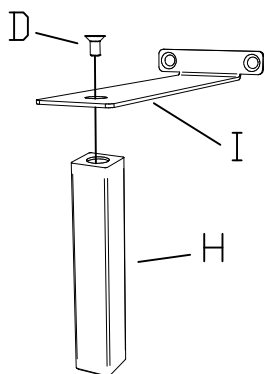
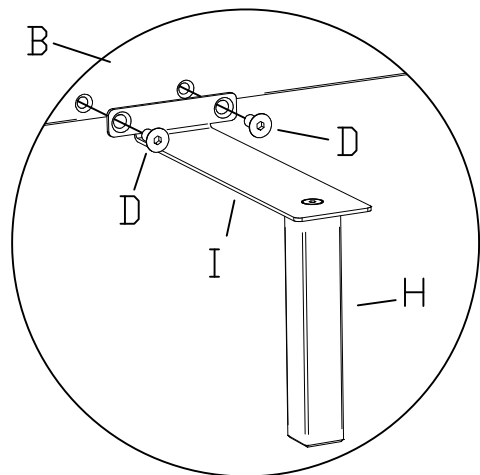


790.023

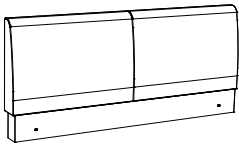
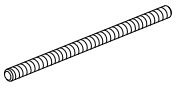

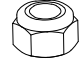
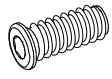
D x6
M8x20

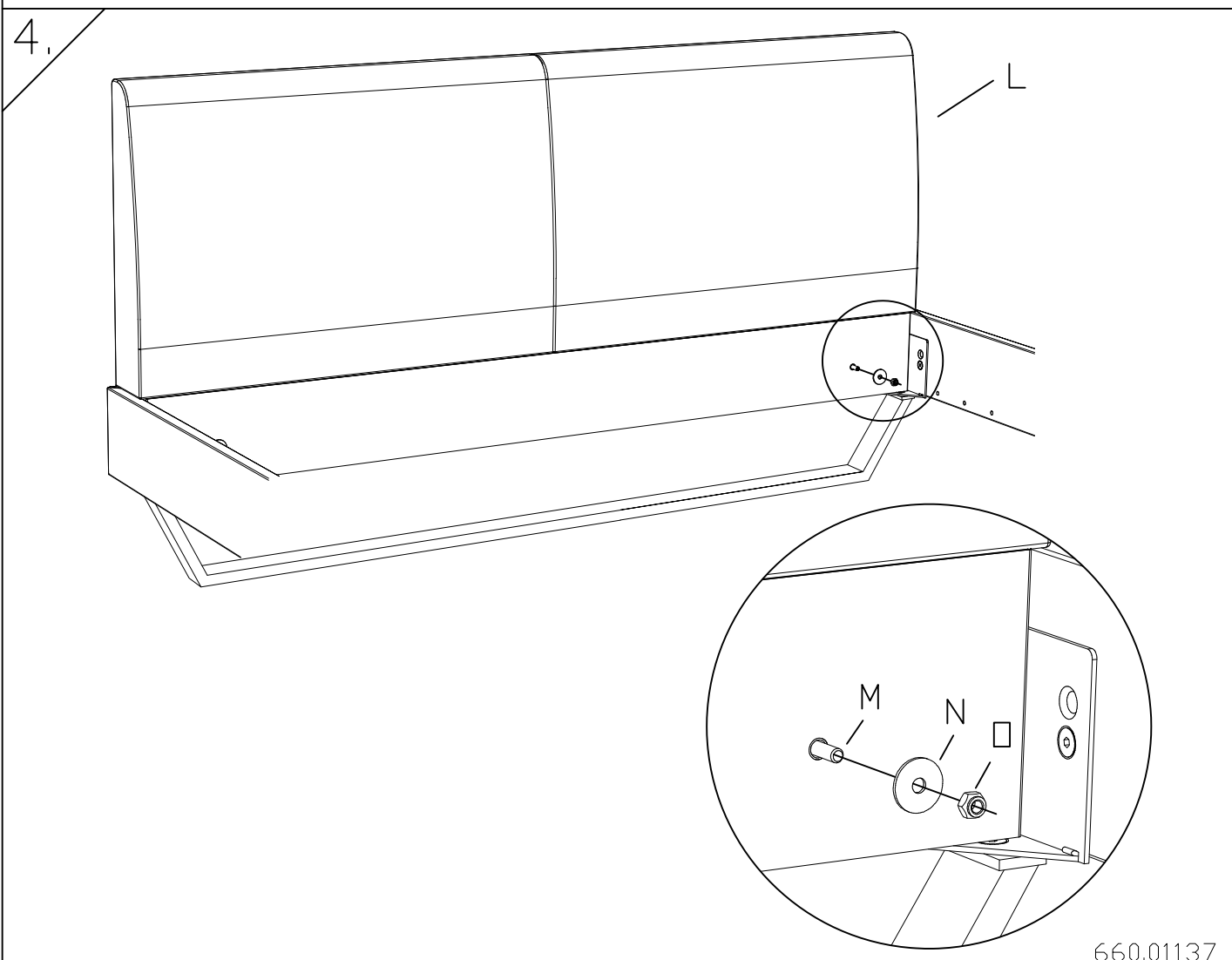
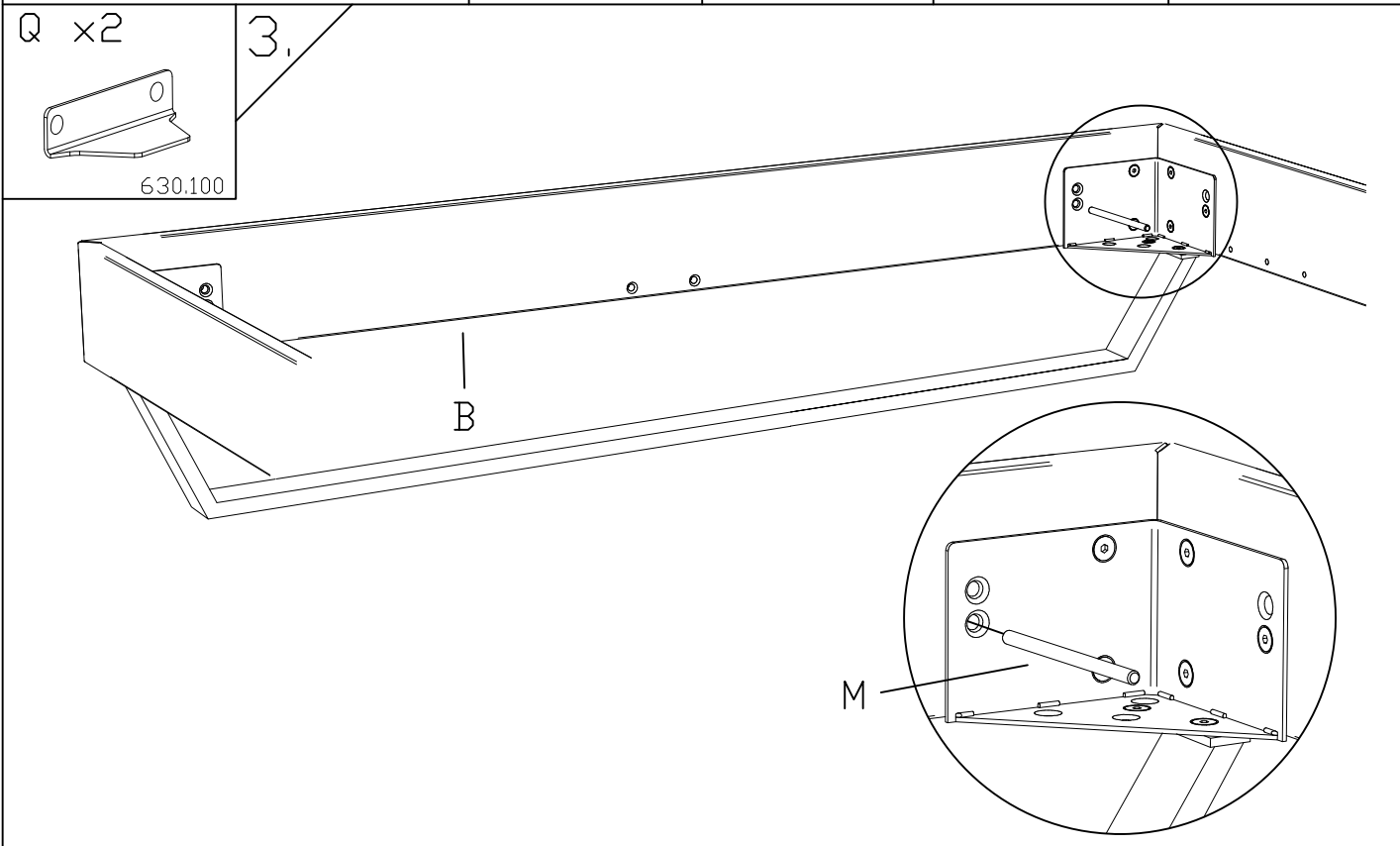


631.87200

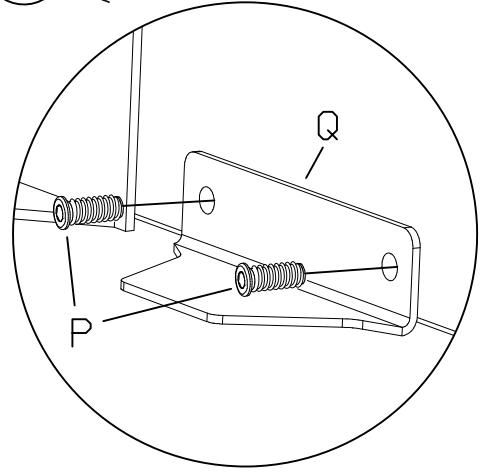
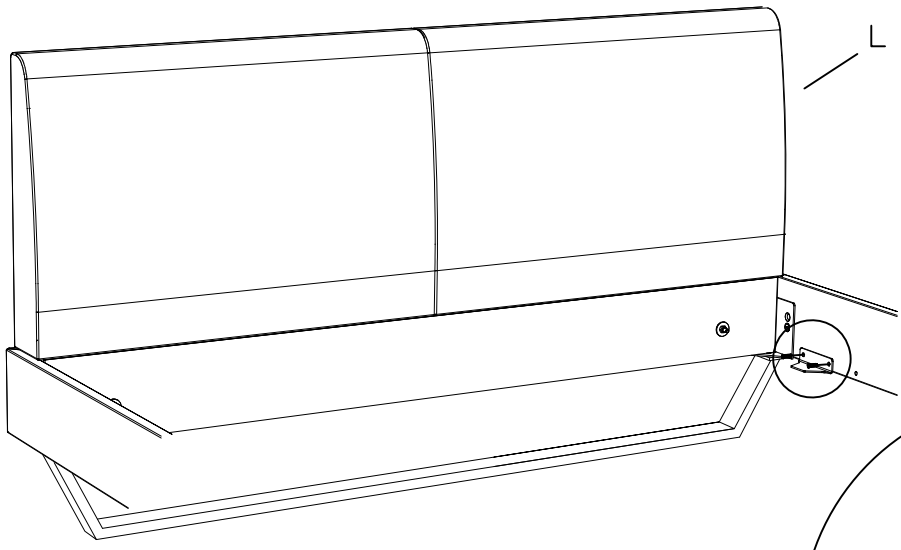


660.01137

<p>L x1</p> 	<p>M x2</p>  <p>631.010</p>	<p>N x2</p>  <p>631.080</p>	<p>□ x2</p>  <p>631.621</p>	<p>P x4</p>  <p>631.601</p>
----------------------------------------------------------------------------------------------	--------------------------------------------------------------------------------------------------------------	--------------------------------------------------------------------------------------------------------------	----------------------------------------------------------------------------------------------------------------	----------------------------------------------------------------------------------------------------------------



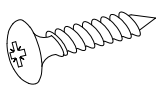
5.



R x2



S x6



631.16200

6.

