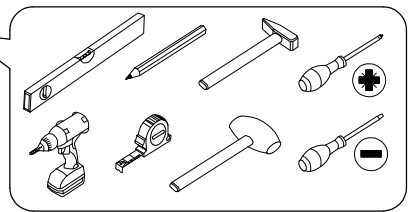
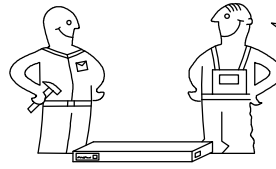


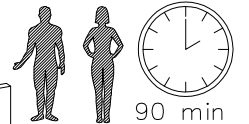
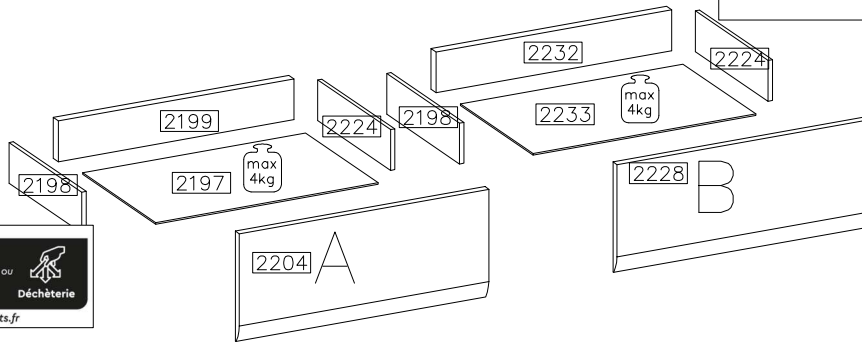
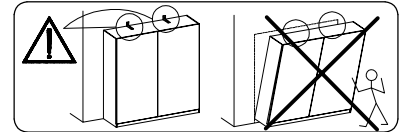
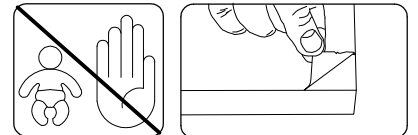
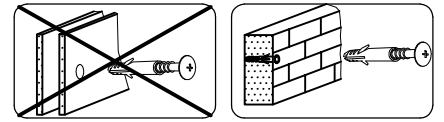
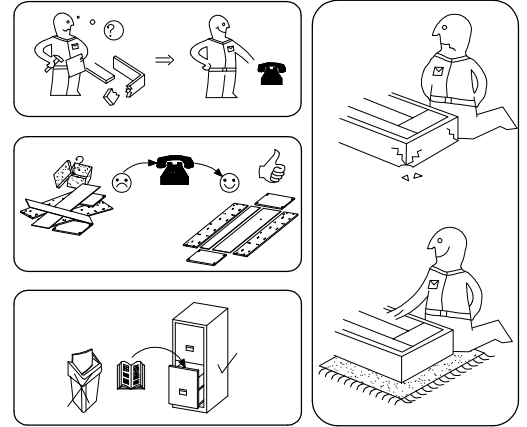
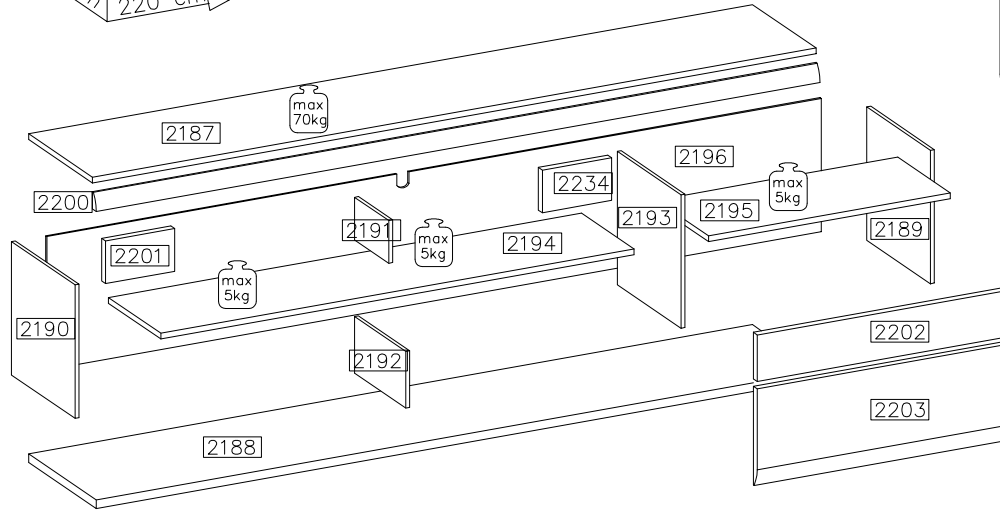
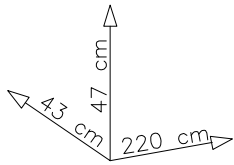
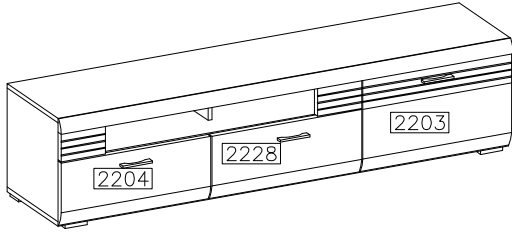
SALOU

10 V4 WH 32



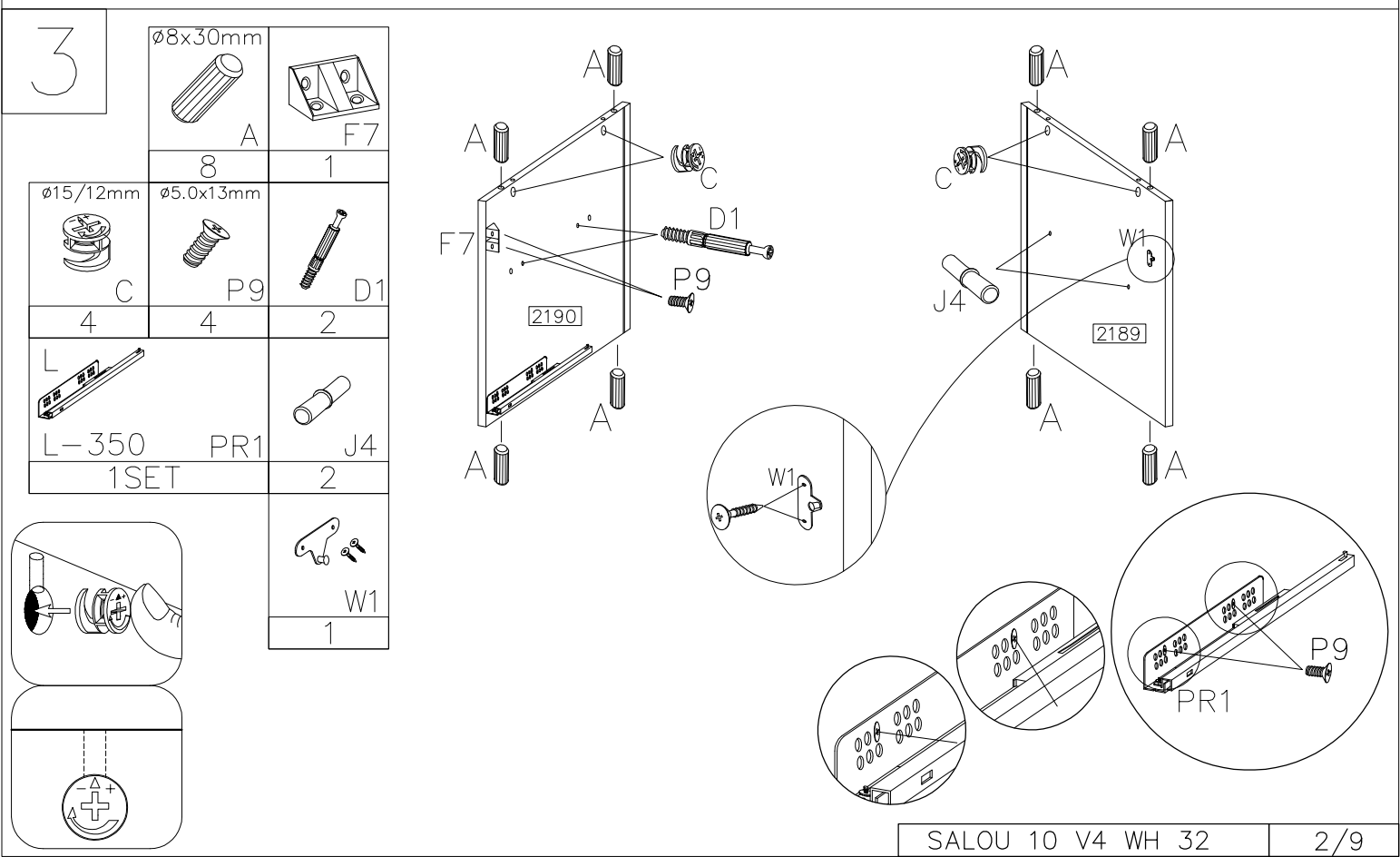
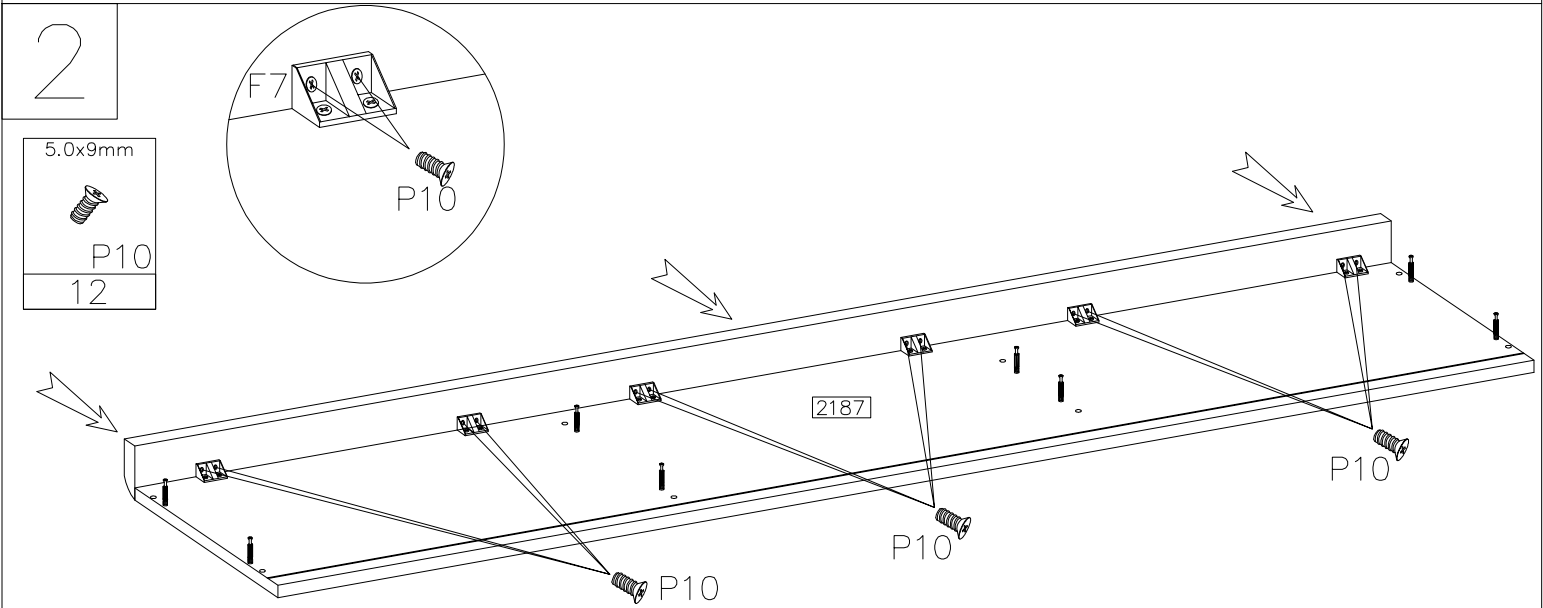
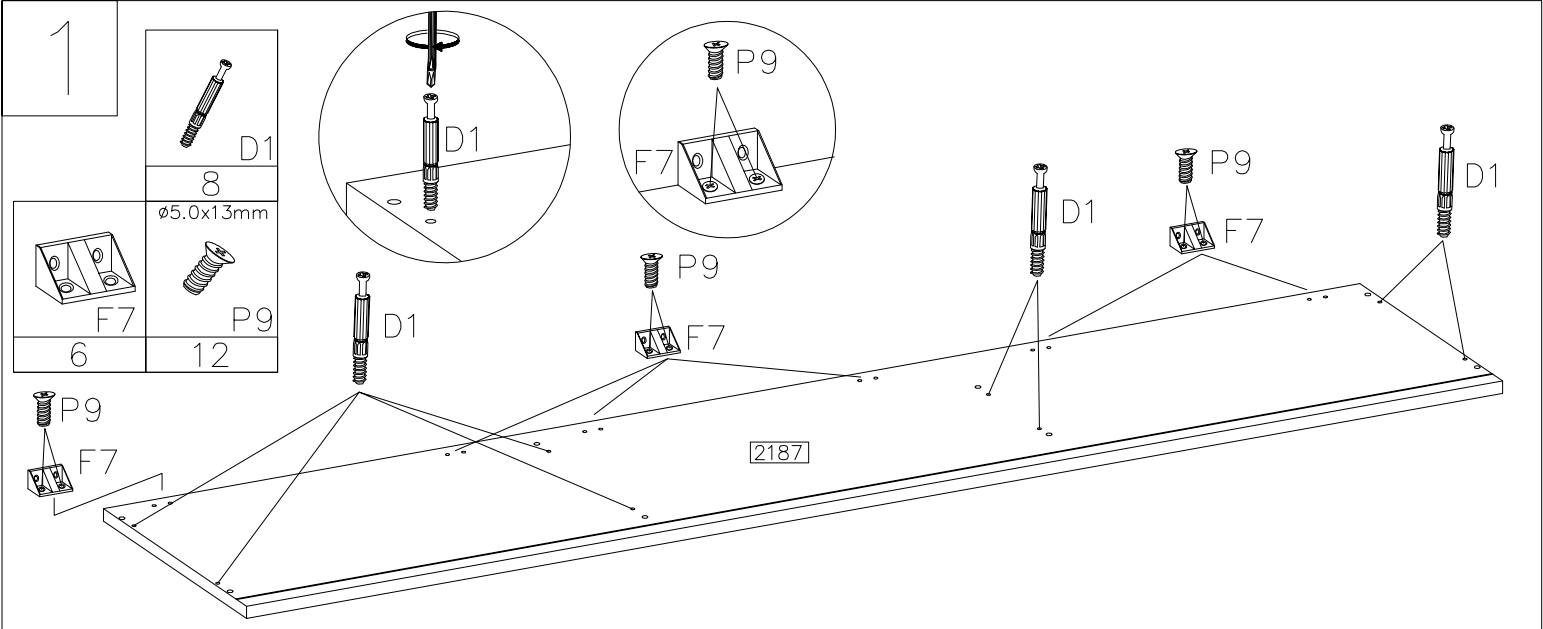
20	2203	796	256	16	2	2
21	2204	696	252	16	1	2
22	2228	696	252	16	1	2

#	ART. NR	L	W	T	Q	Col.No
1	2187	2202	416	16	1	3
2	2188	2202	416	16	1	3
3	2189	414	416	16	1	1
4	2190	414	416	16	1	1
5	2191	172	266	16	1	1
6	2192	226	396	16	1	1
7	2193	414	396	16	1	1
8	2194	1375	396	16	1	2
9	2195	776	360	16	1	2
10	2196	1783	815	2,5	1	3
11	2197	651	358	2,5	1	2
12	2233	661	358	2,5	1	2
13	2198	350	180	16	2	2
14	2224	350	180	16	2	2
15	2199	636	165	16	2	2
16	2200	2202	60	16	1	3
17	2201	198	124	16	1	2
18	2234	198	124	16	1	2
19	2202	796	124	16	1	2

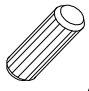
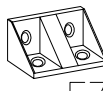







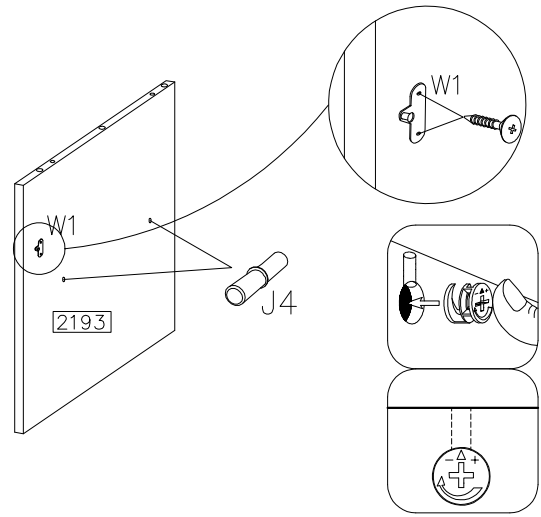
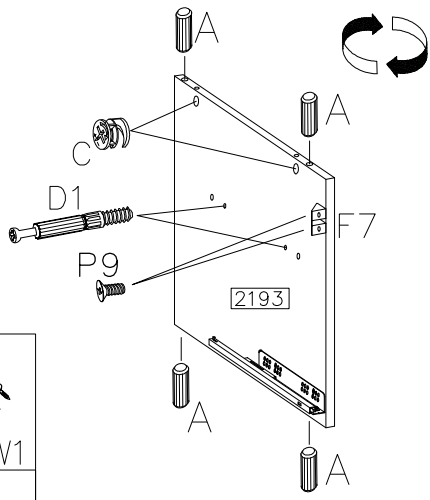
A	A1	B	C	D1	E	E1	F4	F7	L-350	PR1
30	4	18	21	21	21	18	6	12	2SET	
L	N	O	P1	P4	P3	P7	P10	P9	R2	S1
14	2	1	33	8	24	4	12	48	6	3
Z2	Z3	W1	G7	J4						
2	2	2	2	4						



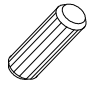
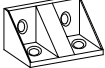





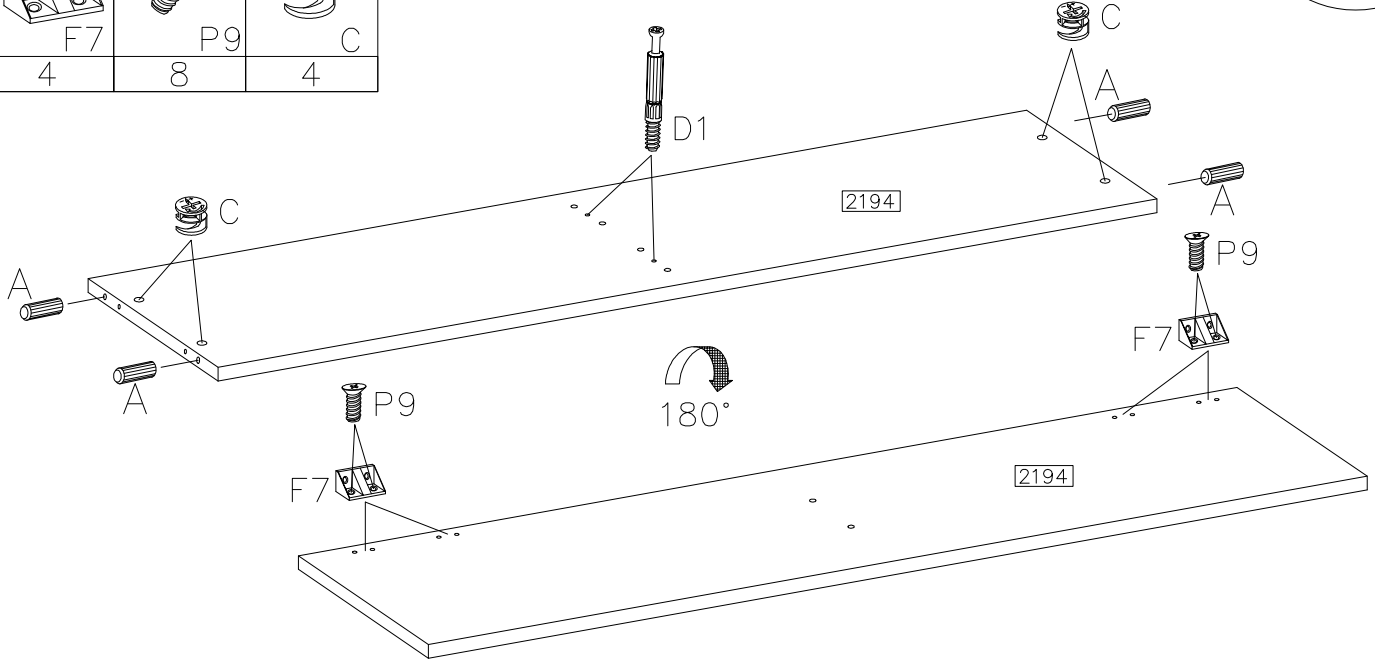
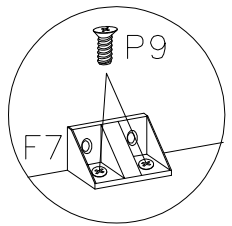
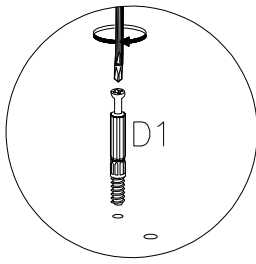
4

ø8x30mm			
		A	F7
		4	1
ø15/12mm	ø5.0x13mm		
		C	P9
		2	2
			
		R	J4
		L-350	PR1
		1SET	2
			W1
			1

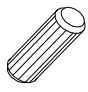


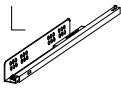
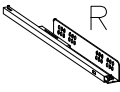


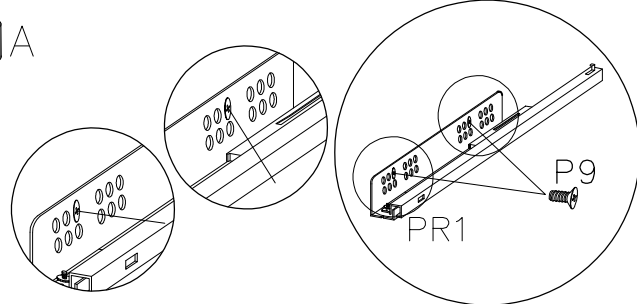
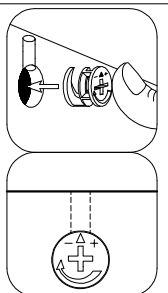
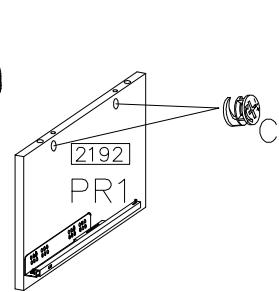
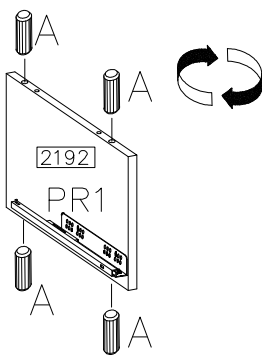
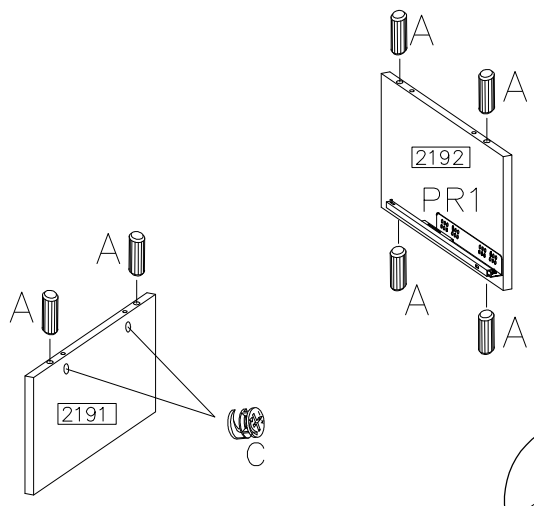
5

ø8x30mm		
		A
		4
	ø5.0x13mm	
		F7
		4
		
		D1
		2
		
		C
		4






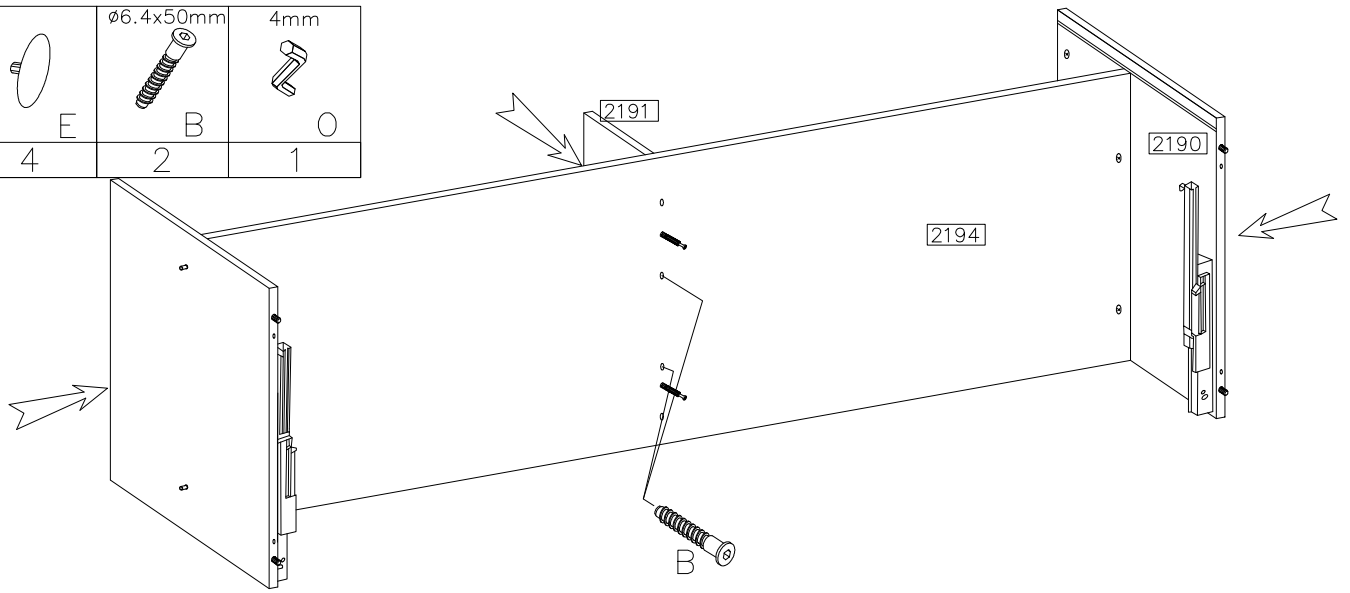
6

ø8x30mm		
		A
		6
ø15/12mm	ø5.0x13mm	
		C
		4
		
		P9
		4
		
		L-350
		PR1
		1SET




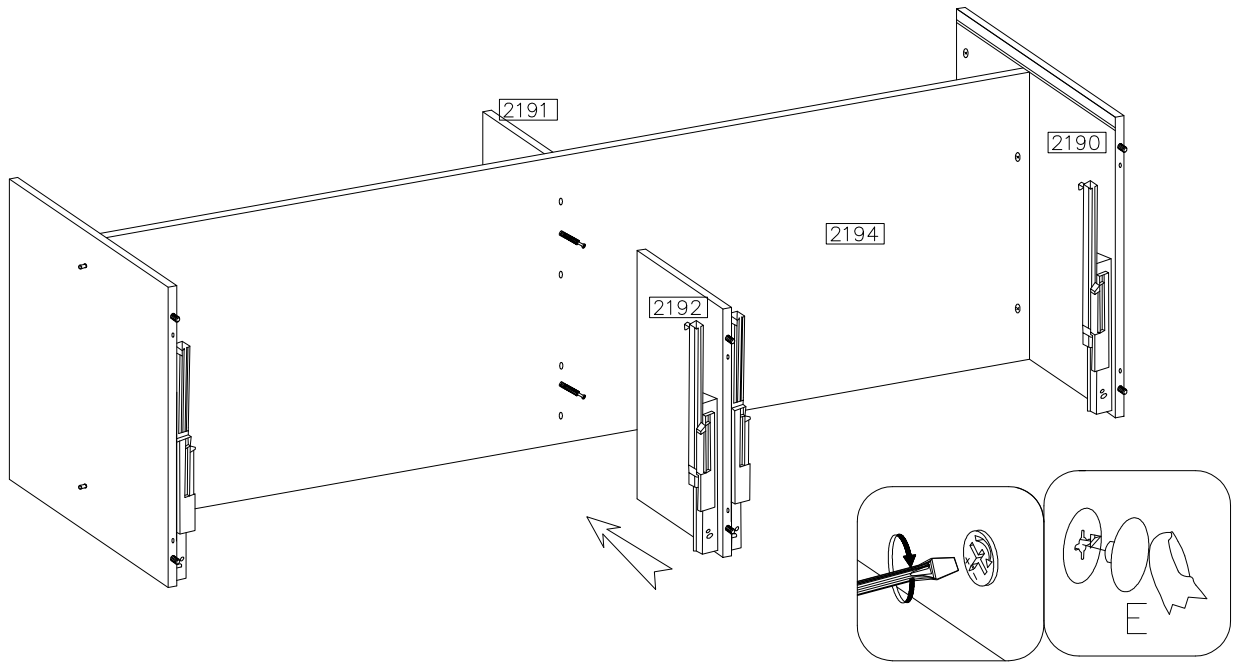
7

		
E	B	O
4	2	1




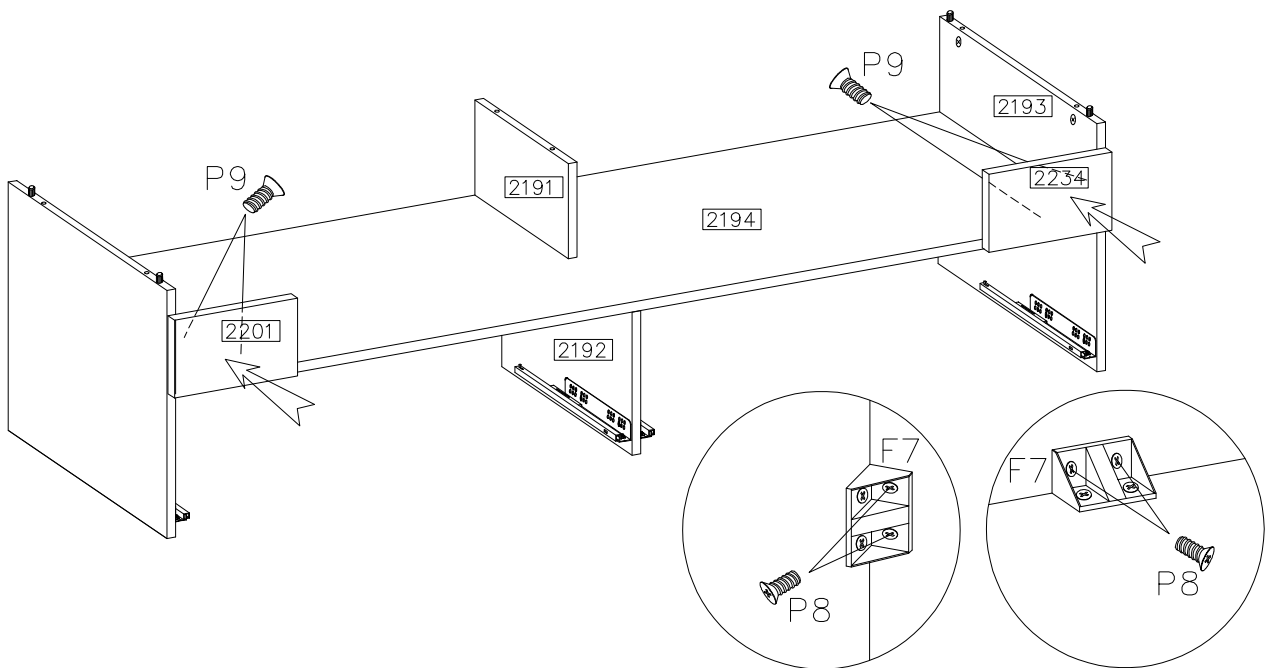
8

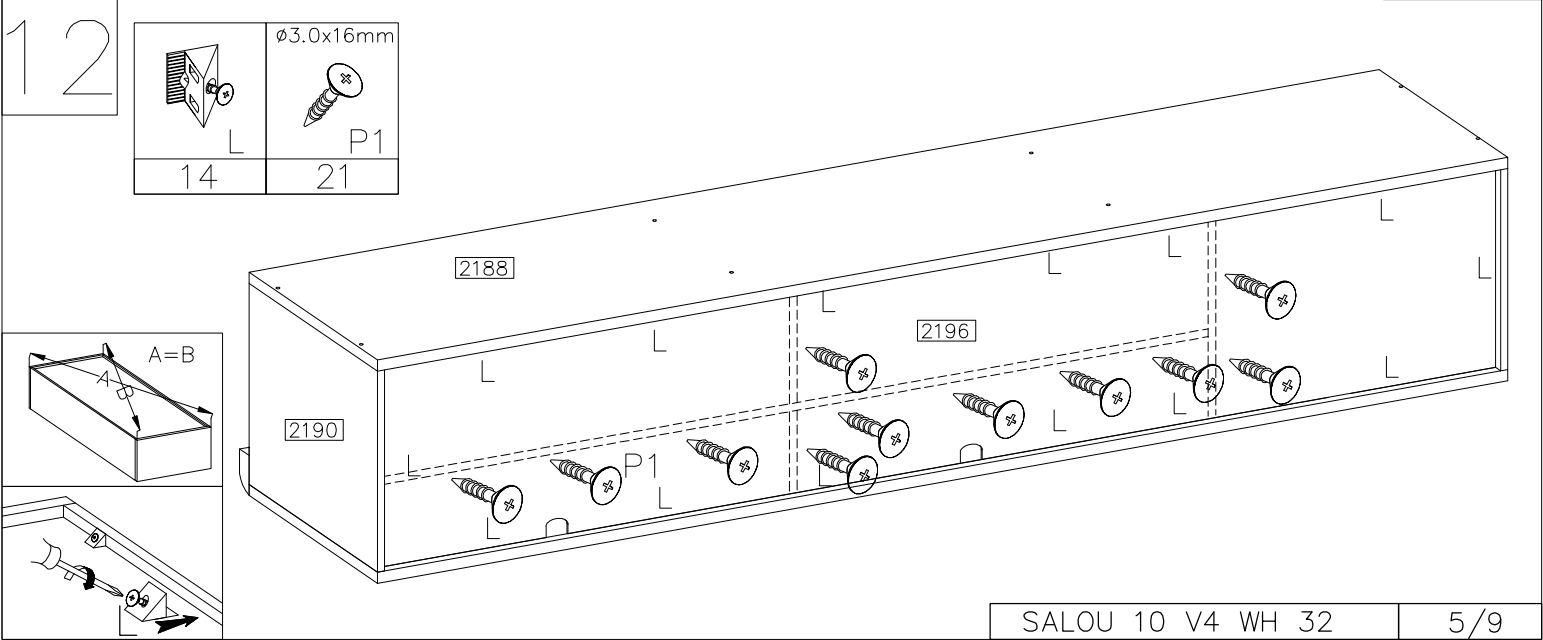
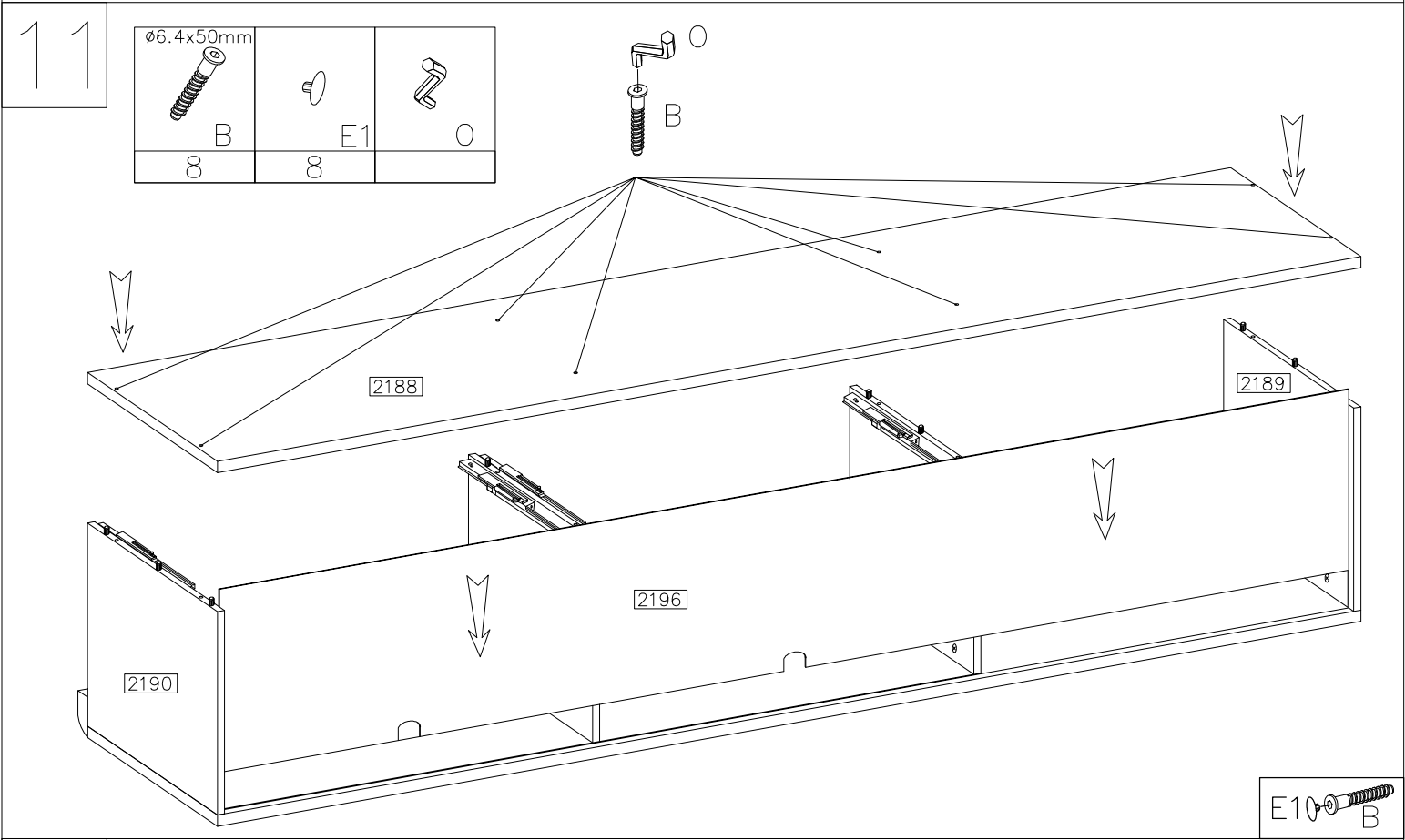
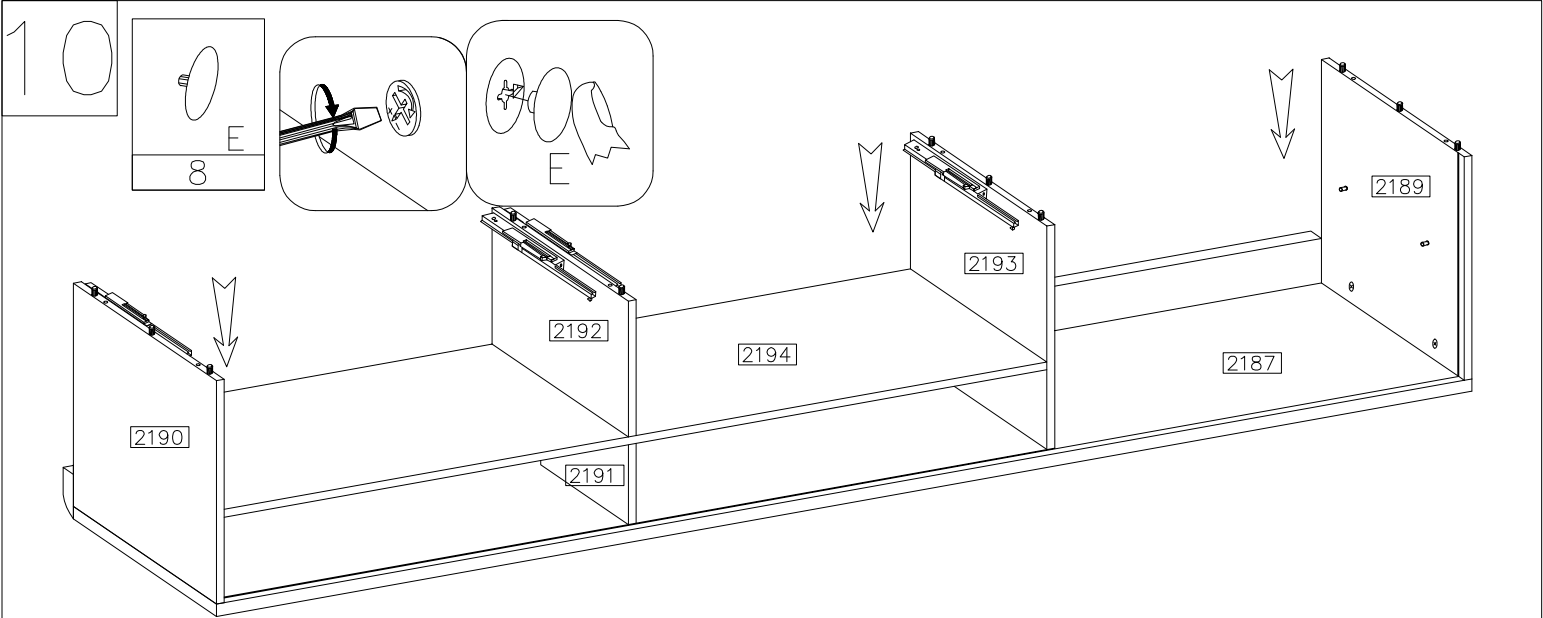

E
2



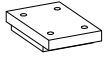
9

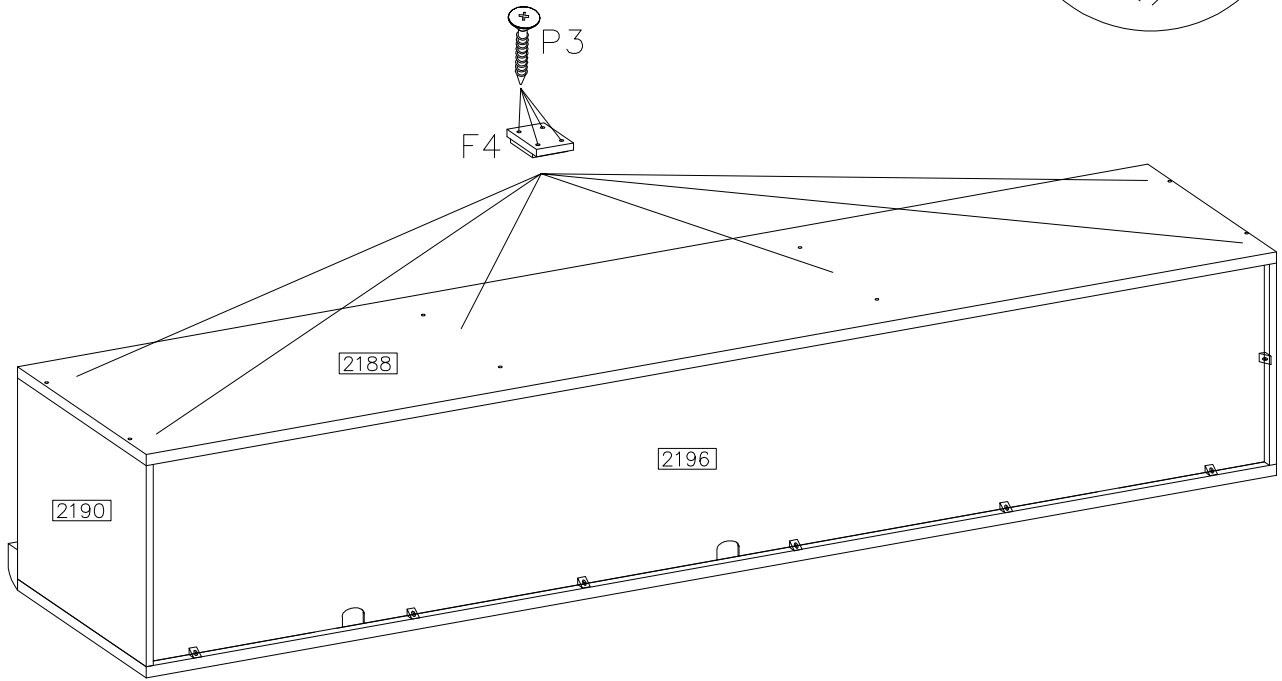
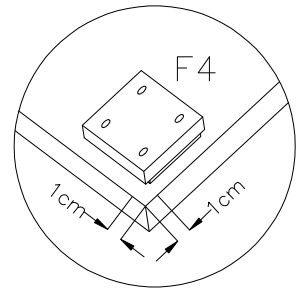

P9
12



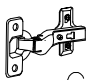


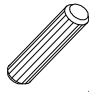


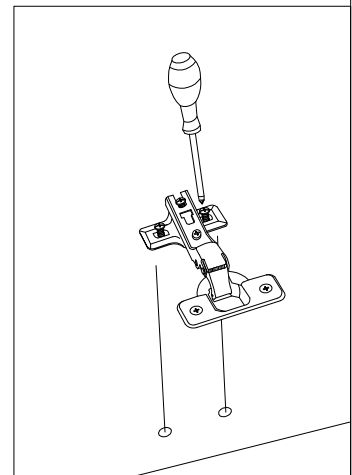
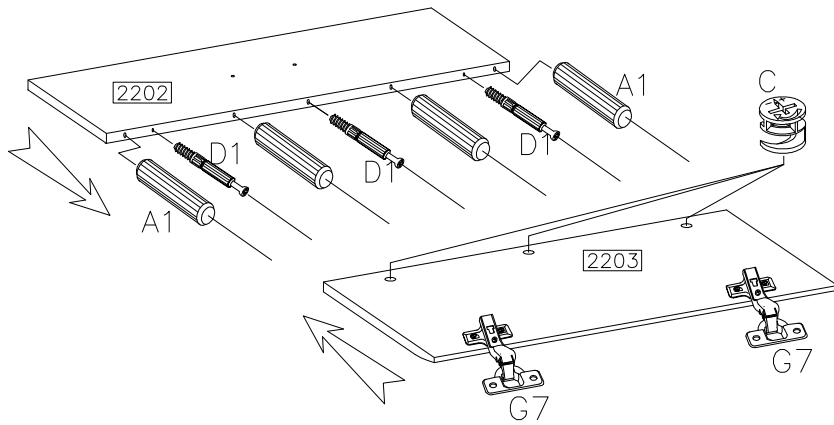
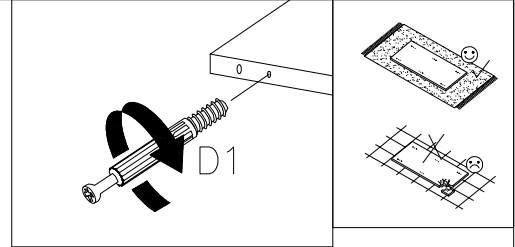
13

	$\varnothing 4.0 \times 30 \text{mm}$
F4	P3
6	24

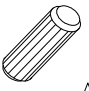




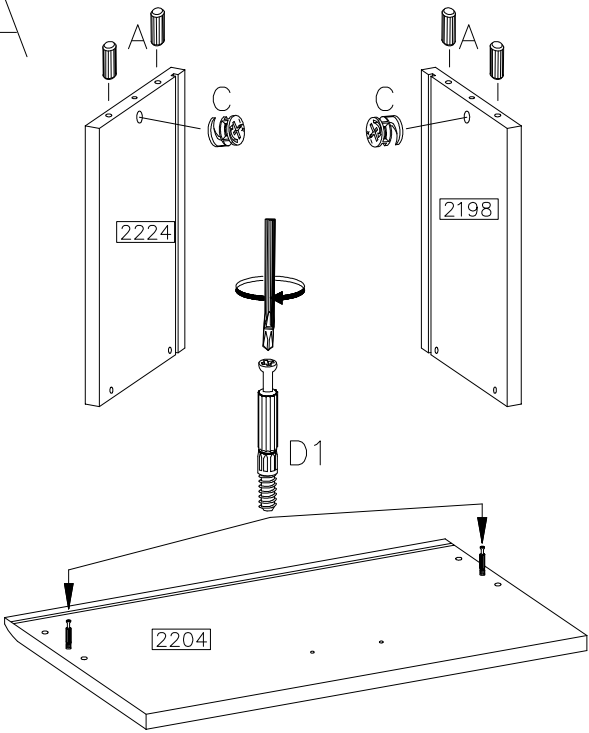
14

$\varnothing 35 / \text{KR}-15$		
		
G7		
2		
$\varnothing 15 / 12 \text{mm}$	$\varnothing 8 \times 40 \text{mm}$	
		
C	D1	A1
3	3	4

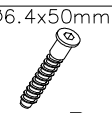




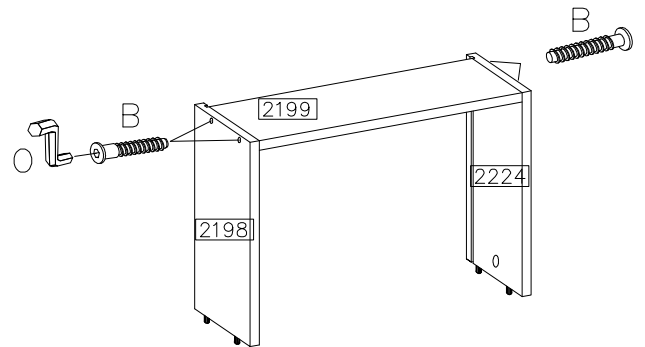
14 A

 <p>Ø8x30mm A</p>
<p>4</p>
 <p>Ø15/12mm C</p>
<p>2</p>
 <p>D1</p>
<p>2</p>




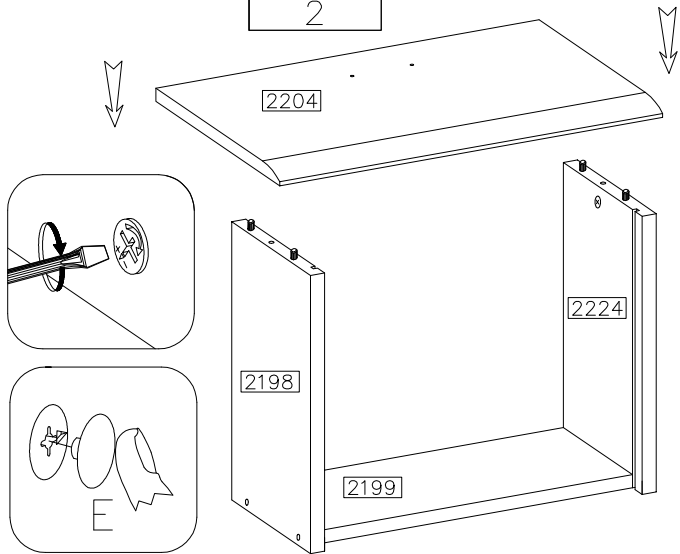
15 A

 <p>Ø6.4x50mm B</p>	 <p>E1</p>	 <p>O</p>
<p>4</p>	<p>4</p>	<p>0</p>




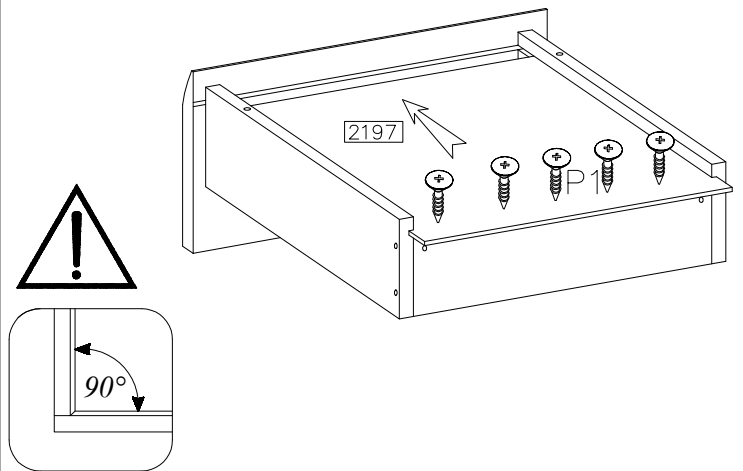
16 A

 <p>E</p>
<p>2</p>




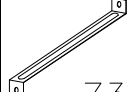


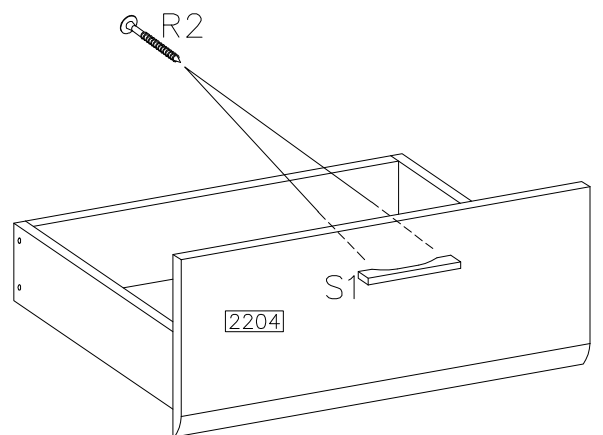
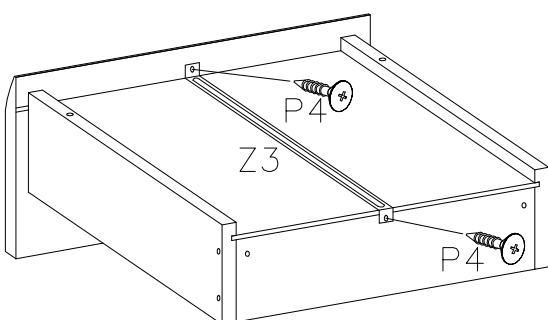
17 A

 <p>Ø3.0x16mm P1</p>
<p>6</p>






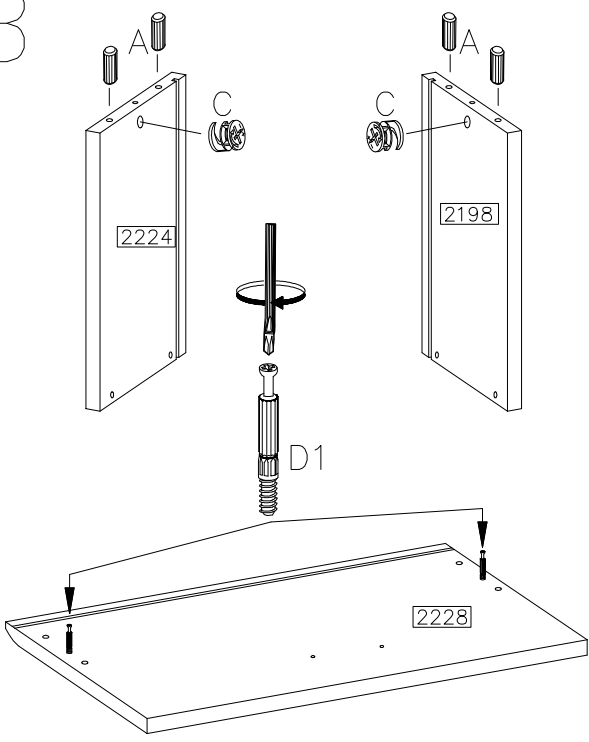
18 A

 <p>S1</p>	 <p>Ø4.0x27mm R2</p>	 <p>Ø3.5x16mm P4</p>	 <p>Z3</p>
<p>1</p>	<p>2</p>	<p>2</p>	<p>1</p>

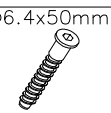




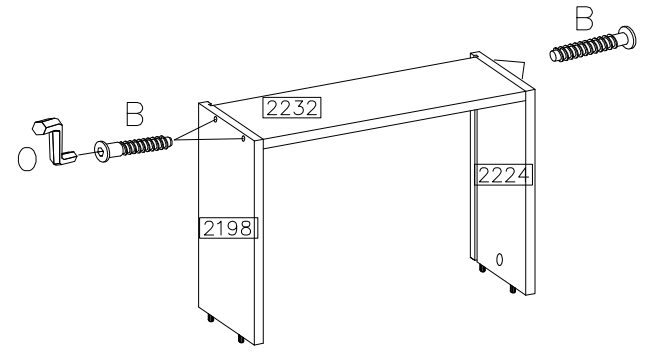
14 B

 <p>Ø8x30mm</p> <p>A</p>
<p>4</p>
 <p>Ø15/12mm</p> <p>C</p>
<p>2</p>
 <p>D1</p>
<p>2</p>




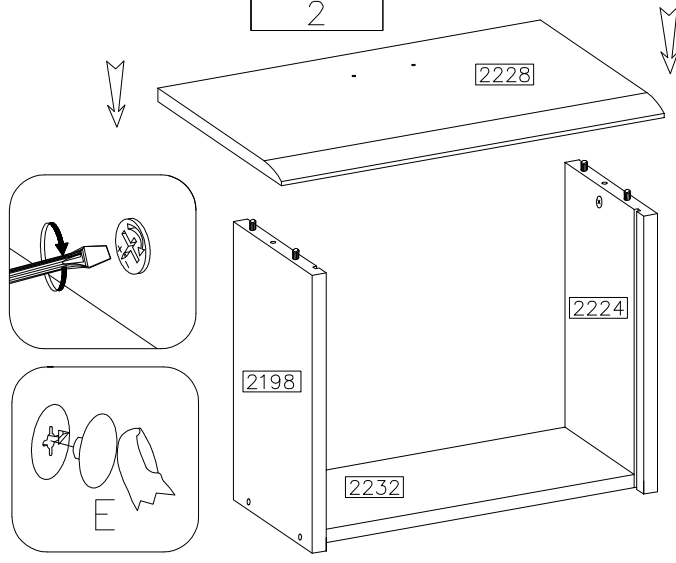
15 B

 <p>Ø6.4x50mm</p> <p>B</p>	 <p>E1</p>	 <p>O</p>
<p>4</p>	<p>4</p>	<p>0</p>




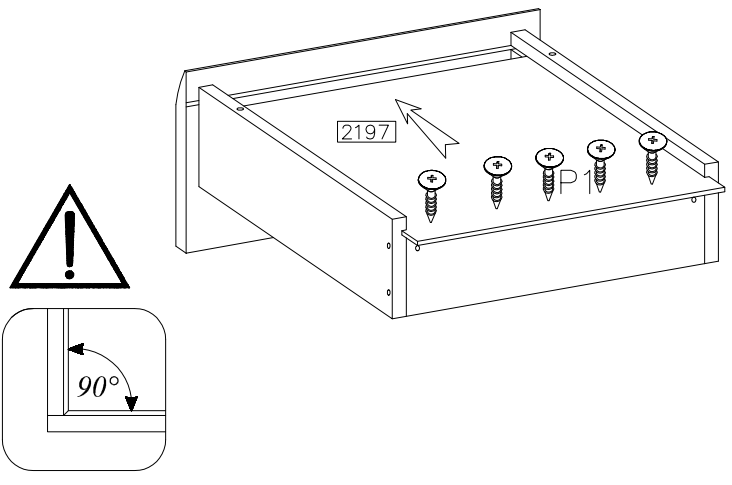
16 B

 <p>E</p>
<p>2</p>




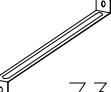


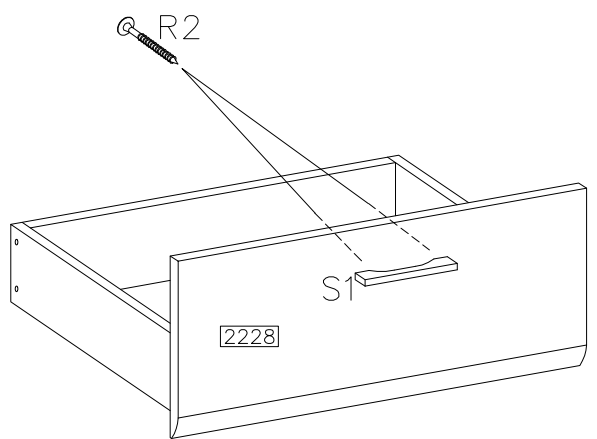
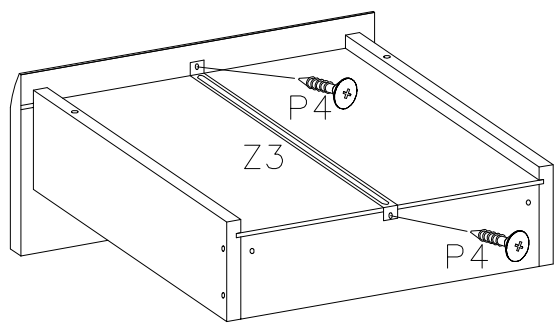
17 B

 <p>Ø3.0x16mm</p> <p>P1</p>
<p>6</p>



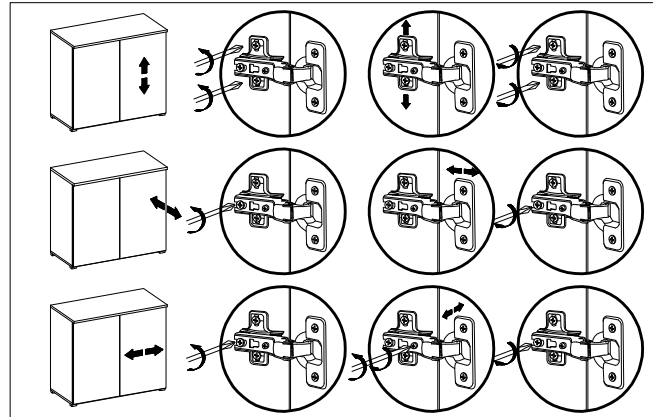
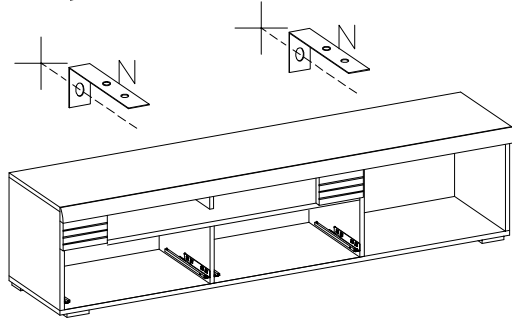
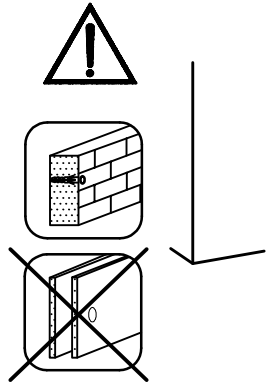
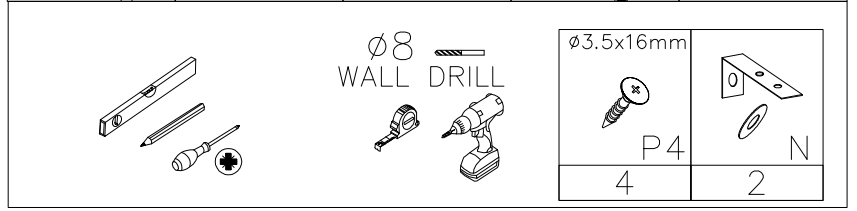
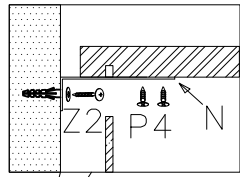
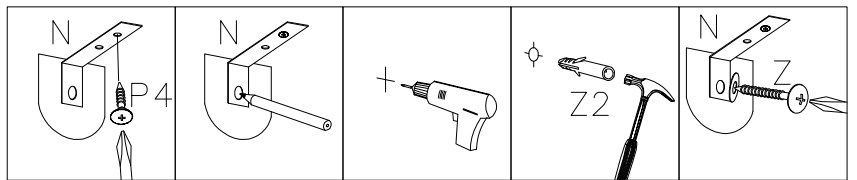
18 B

 <p>S1</p>	 <p>Ø4.0x27mm</p> <p>R2</p>	 <p>Ø3.5x16mm</p> <p>P4</p>	 <p>Z3</p>
<p>1</p>	<p>2</p>	<p>2</p>	<p>1</p>



19

$\varnothing 8.0 \times 50 \text{mm}$ Z2 2
--



20

 W1 2	$\varnothing 3.0 \times 20 \text{mm}$ P7 4	$5.0 \times 13 \text{mm}$ P9 4
-------------	--	--

