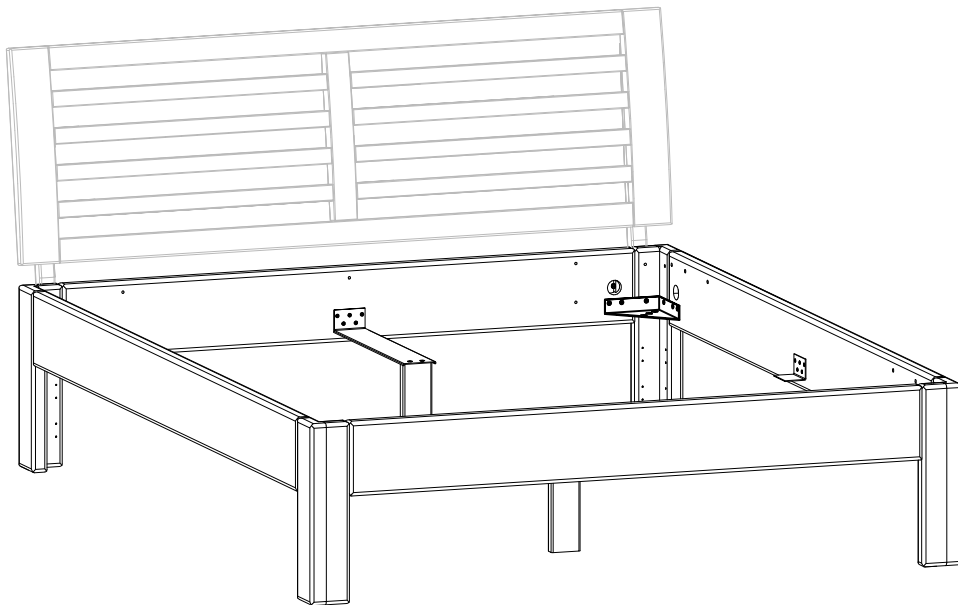
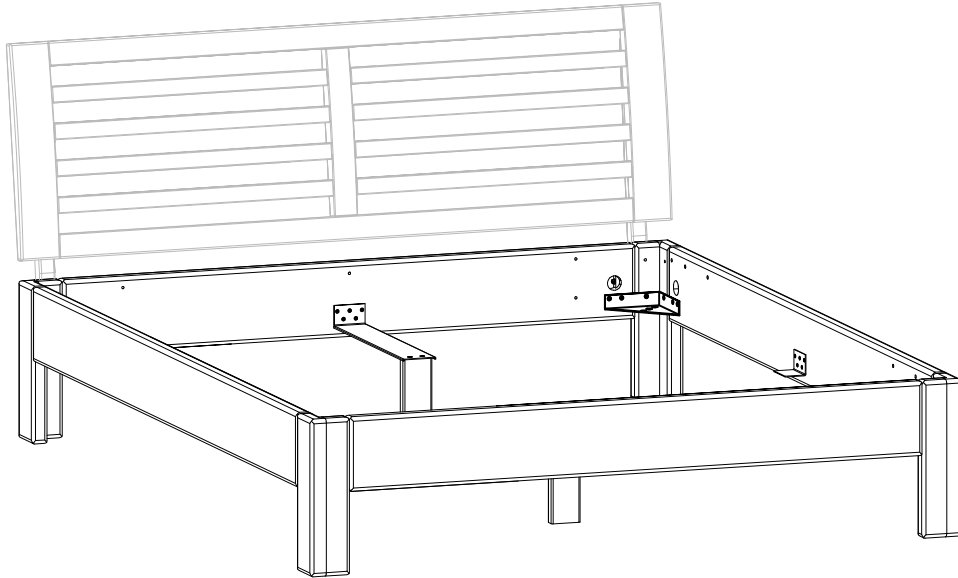


# Easy Sleep

## Bein - Eckig/Rund

899211



1

A = 8  
826039

B = 16  
771050

G = 1  
881113

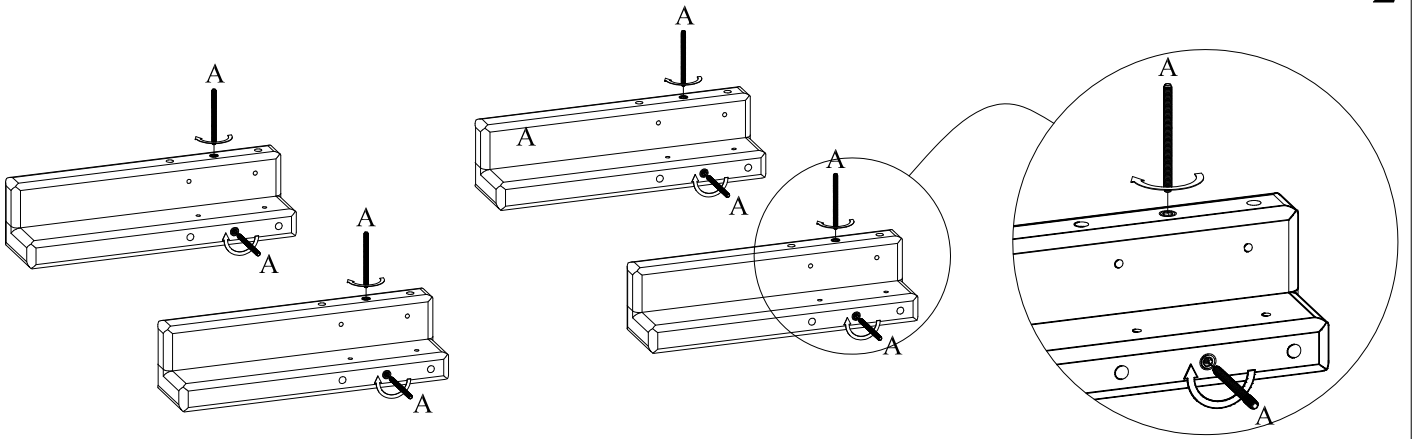
C = 8  
867165

D = 8  
826556

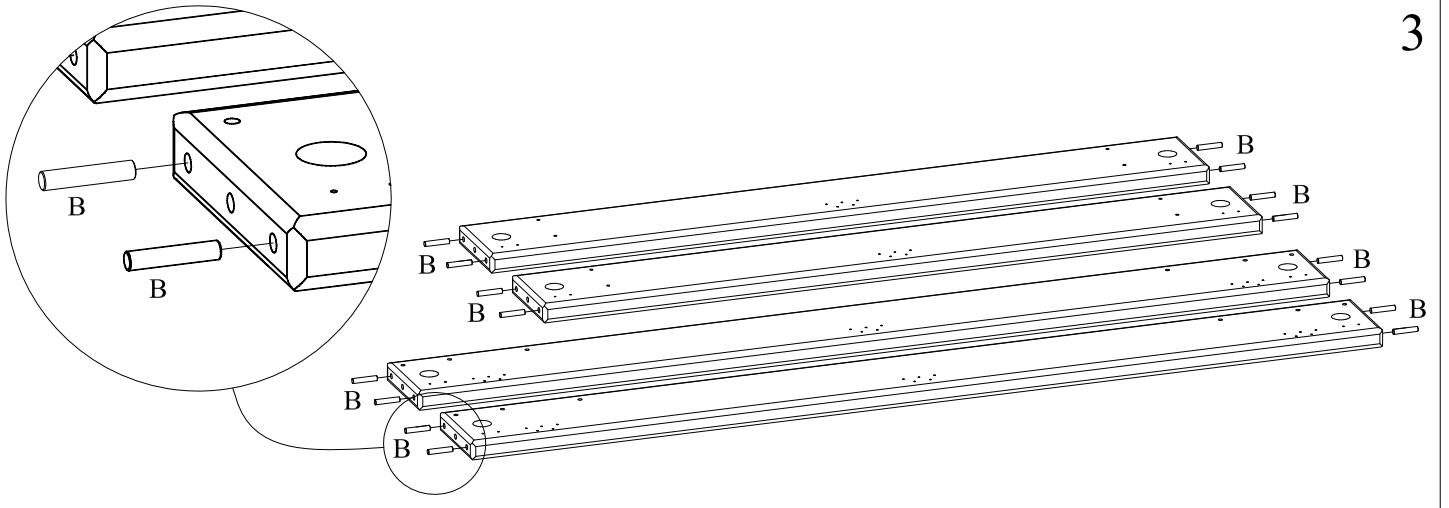
E = 8  
826571

F = 4  
C9318-2

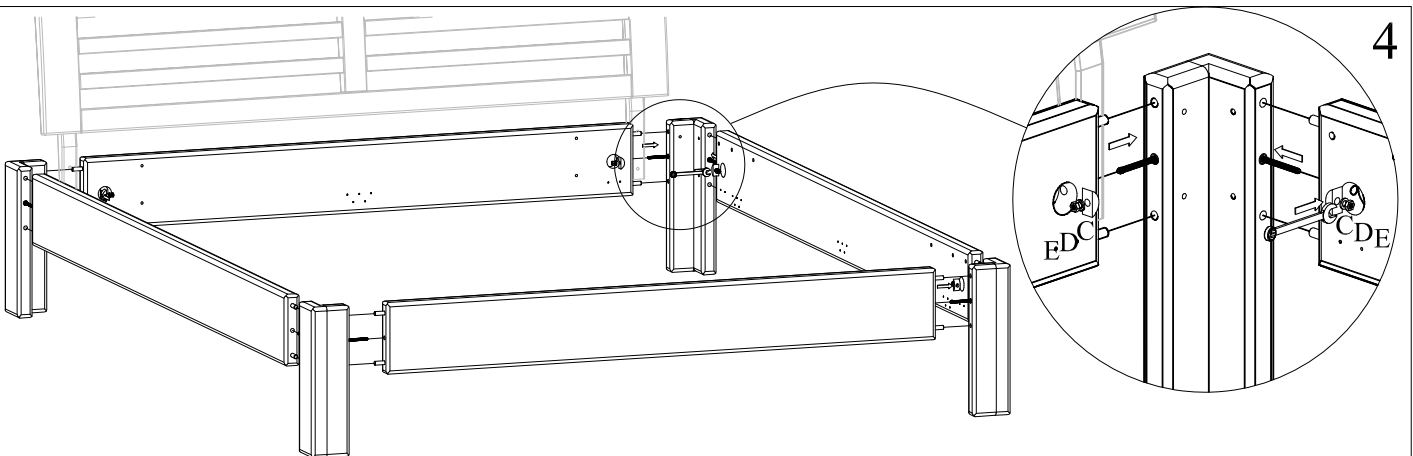
2



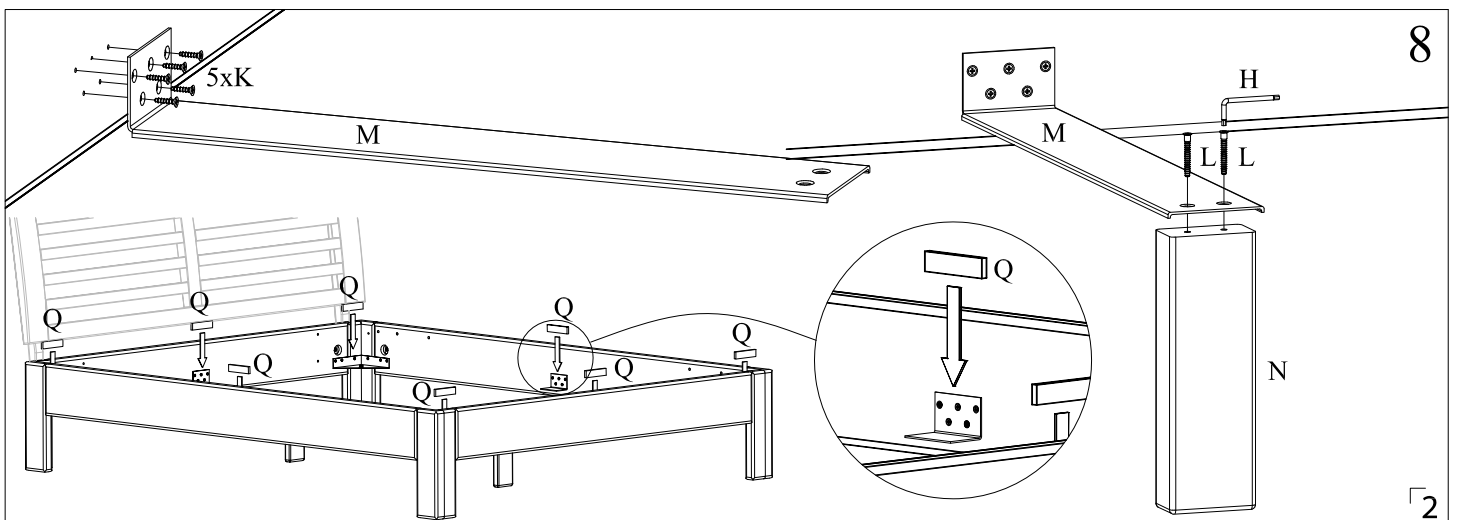
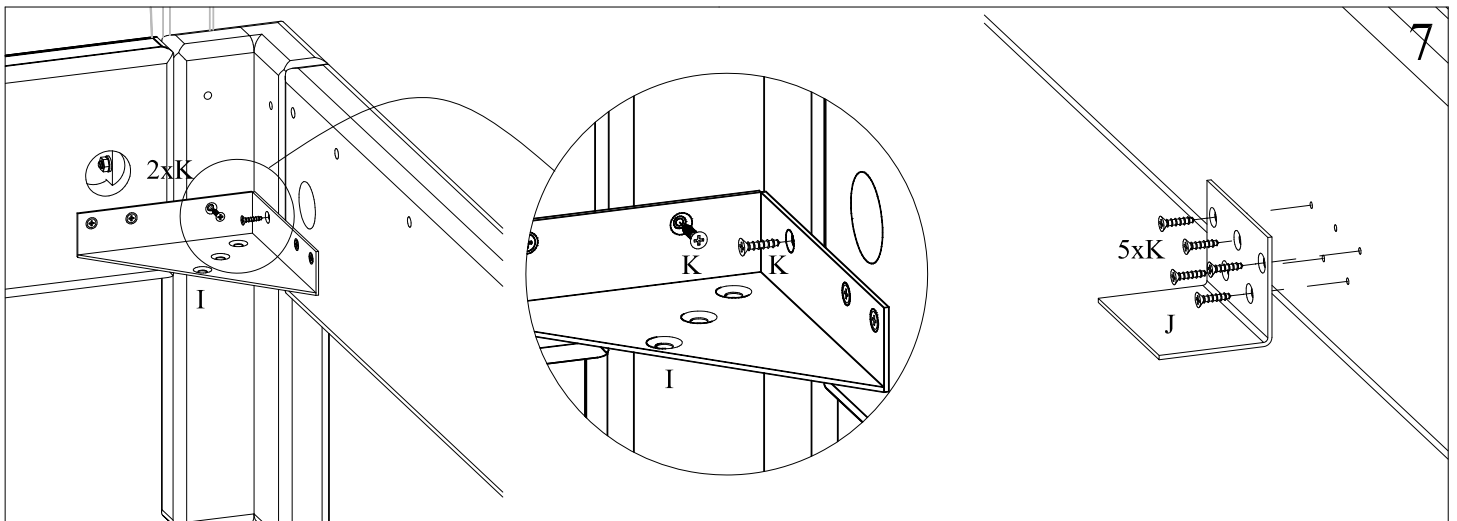
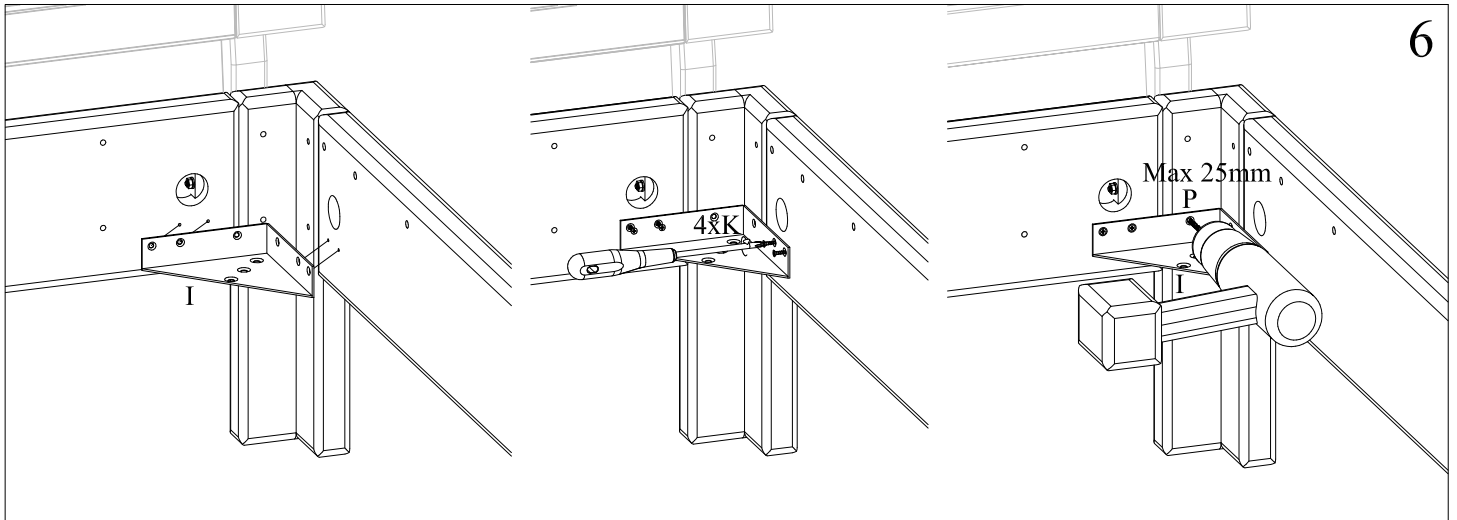
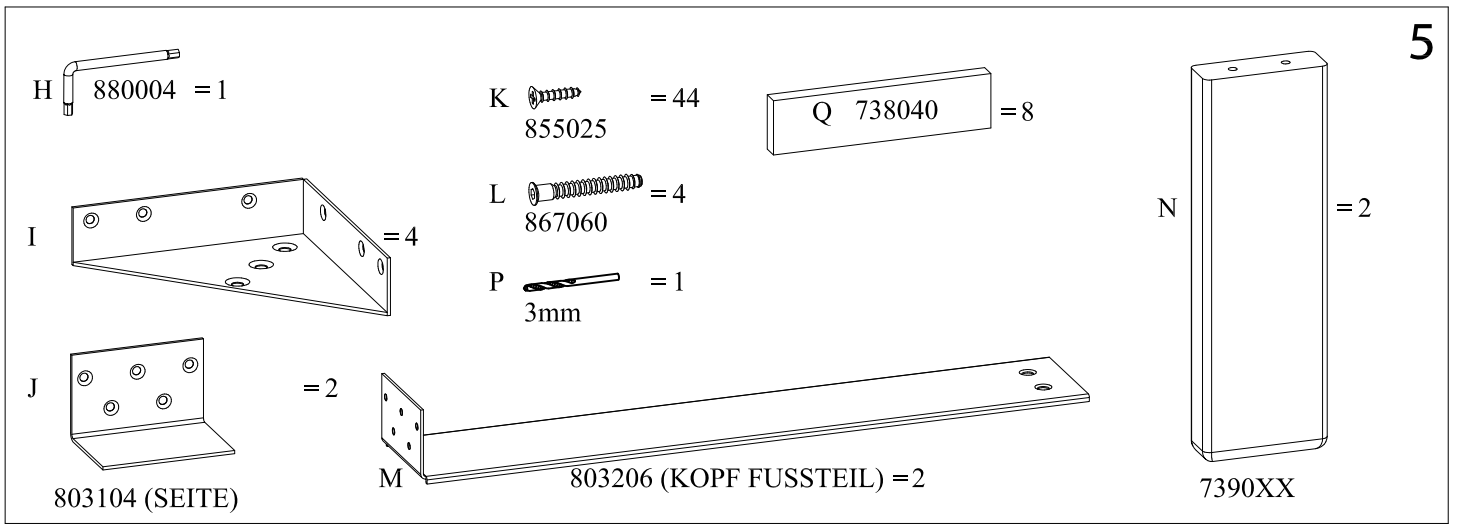
3



4



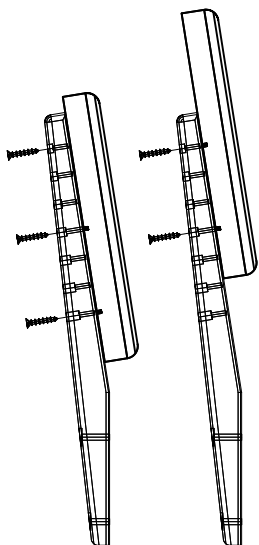
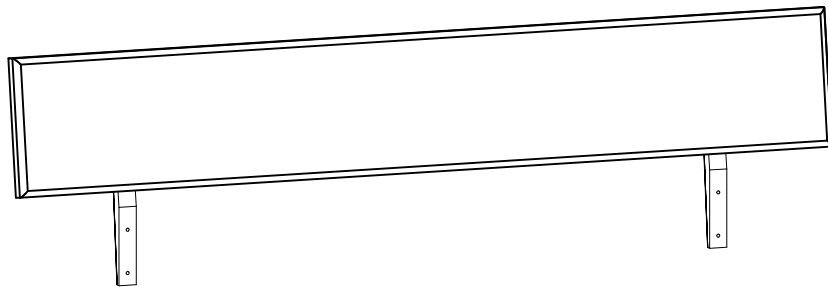
1



# Easy Sleep

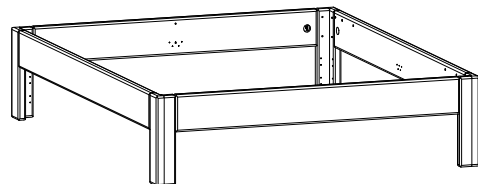
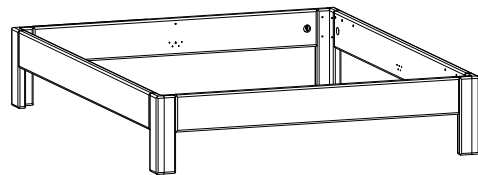
## KOPFTEIL

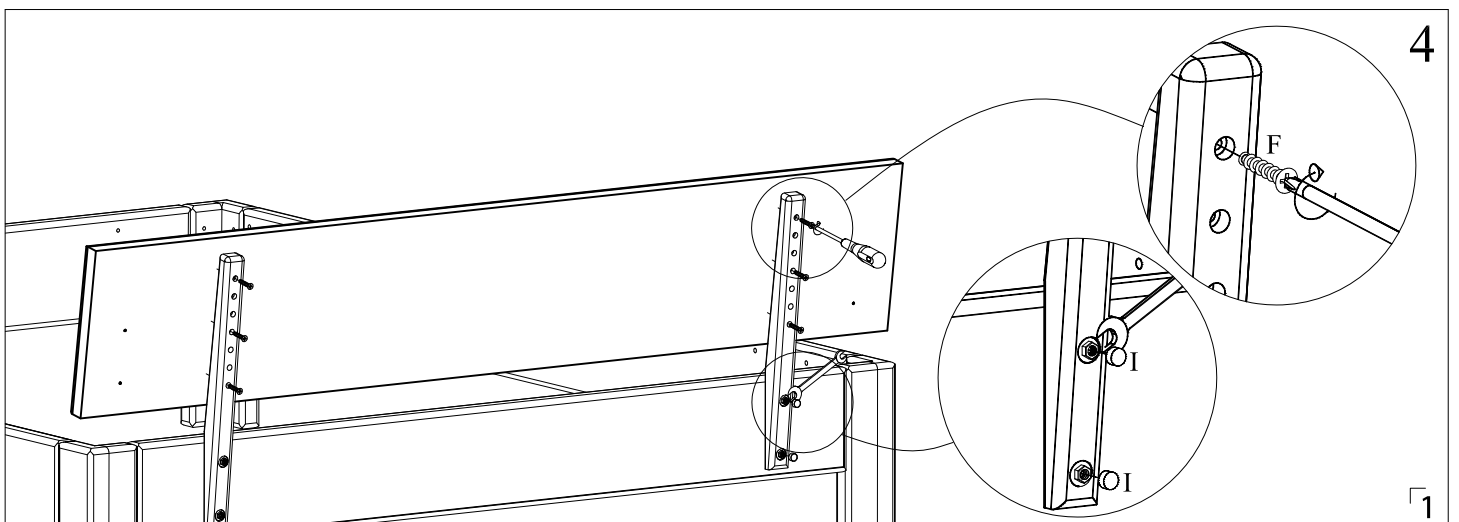
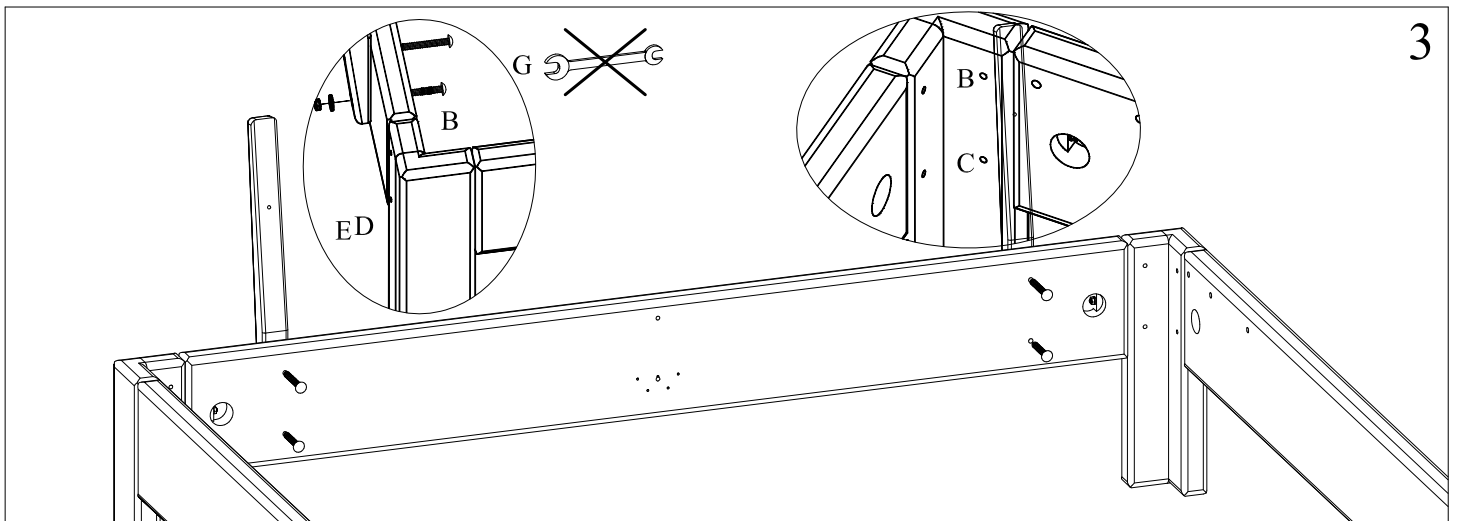
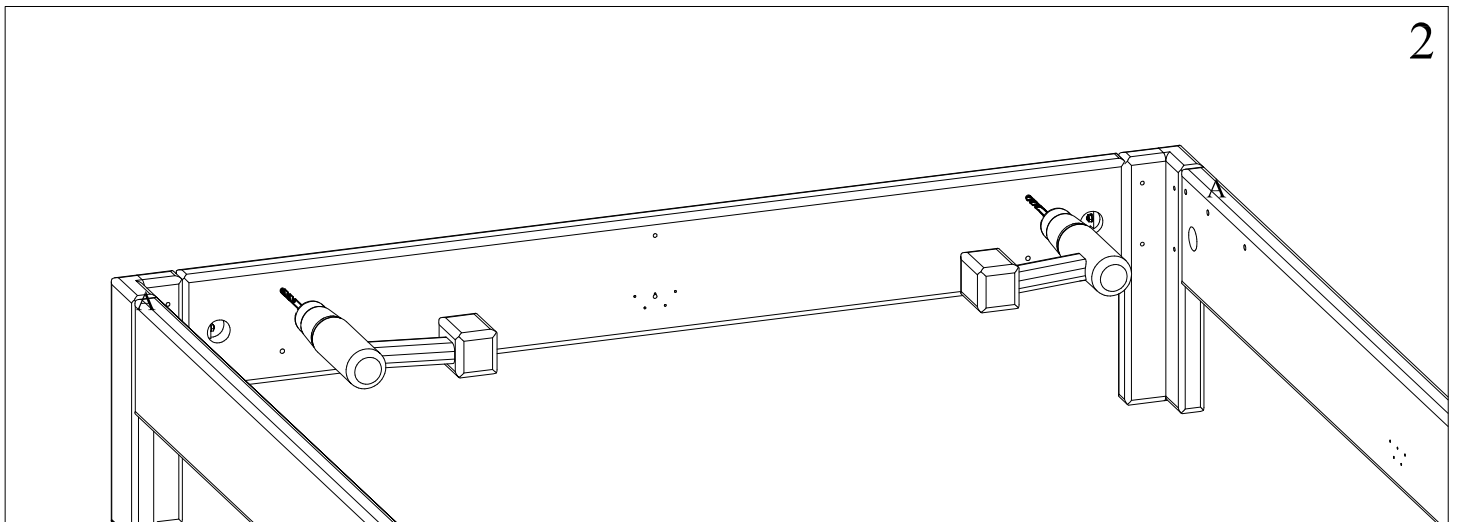
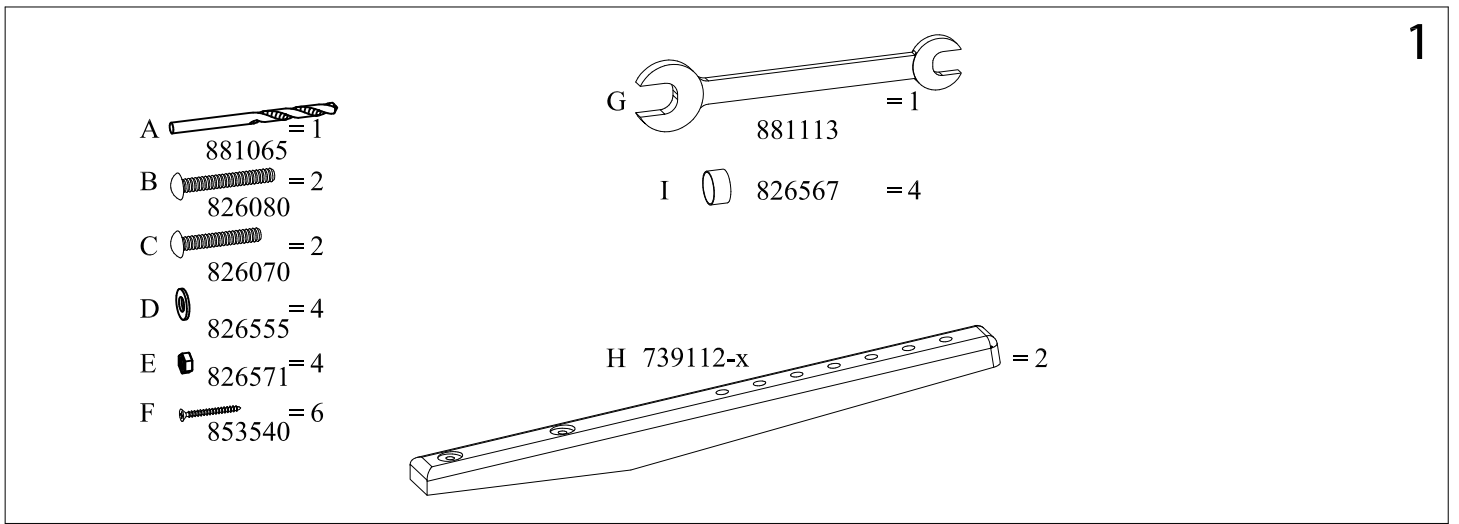
C98xx/4x



Alt.

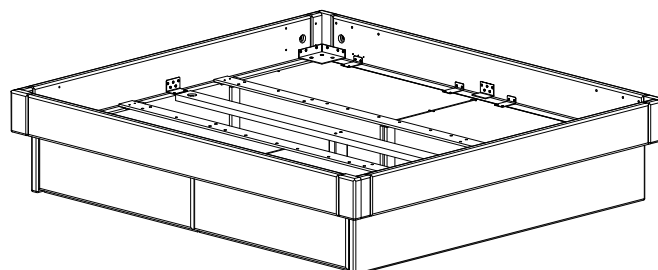
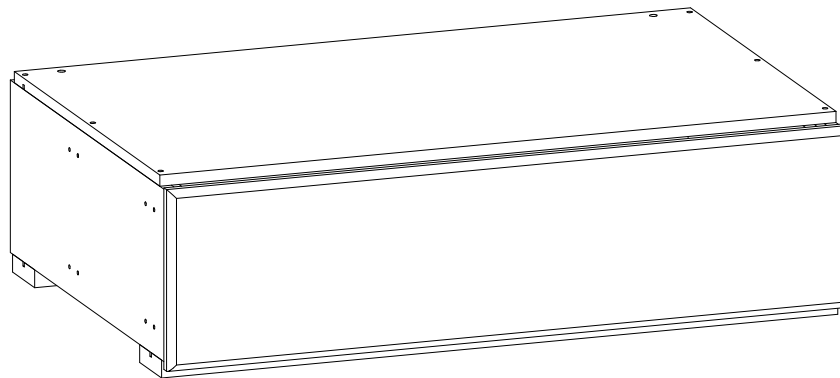
C98







899225


# Montageanleitung Schubladen für sockelbett

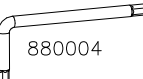


A  854530: 4x30 = 10

B  853516: 3,5x16 = 8

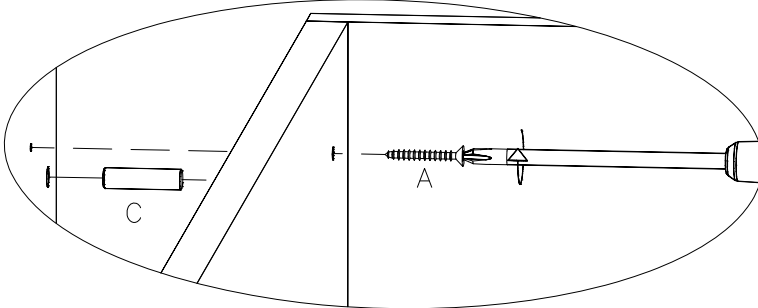
C  770830: 8x30 = 2

D  838016 = 2

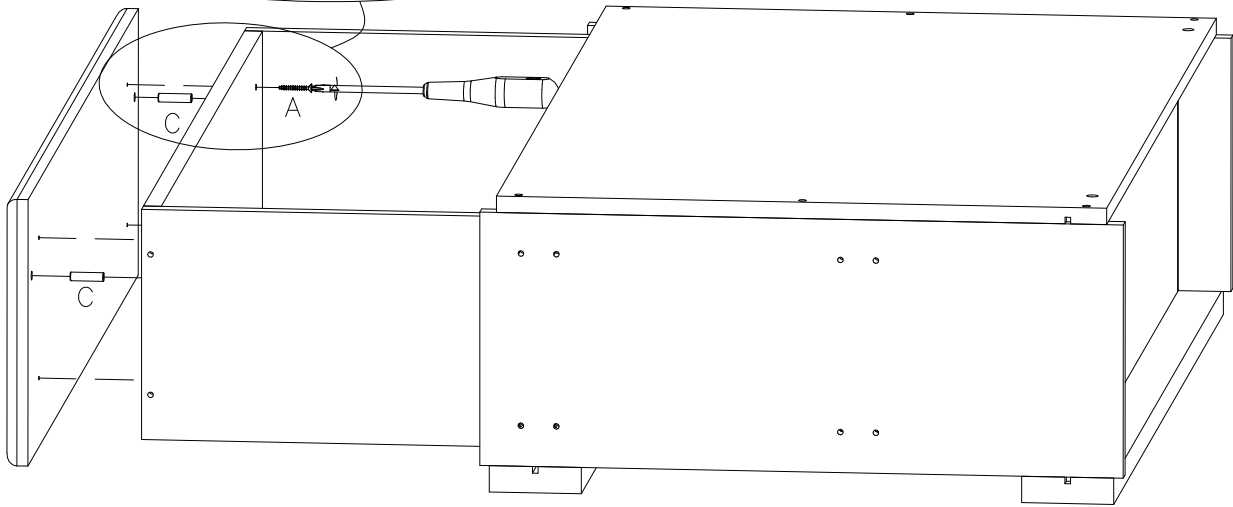
E  880004 = 1

F  825025: M6x25 = 2

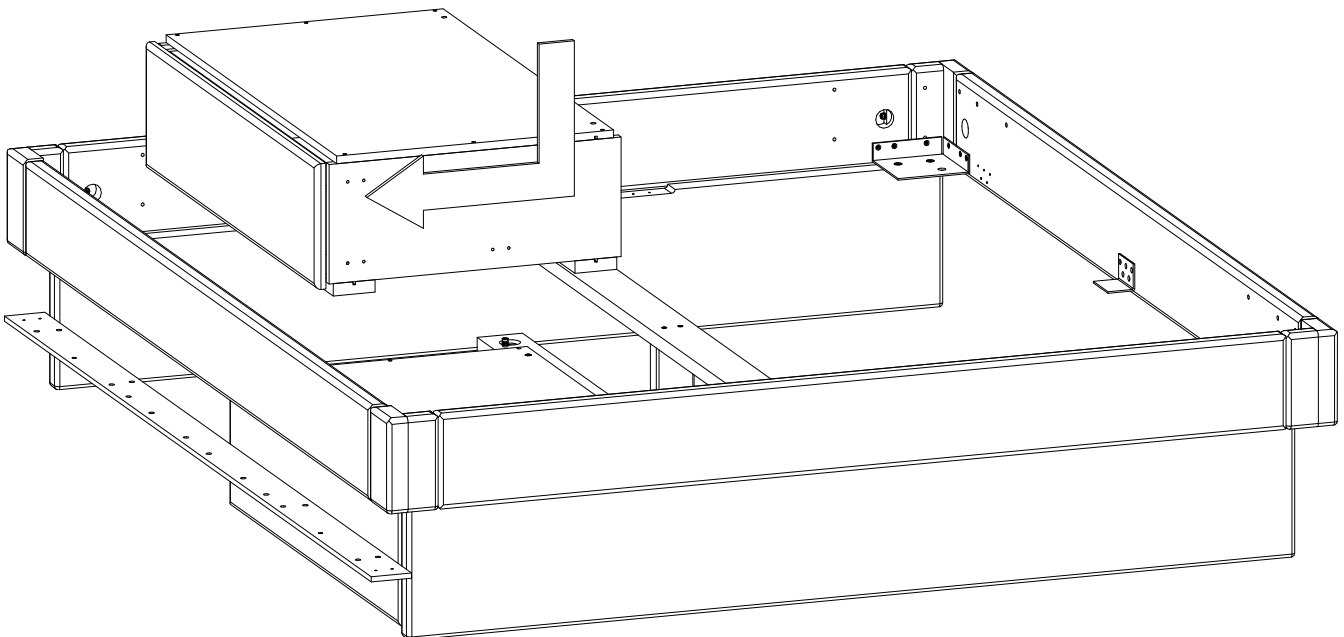
1



2



3



2

