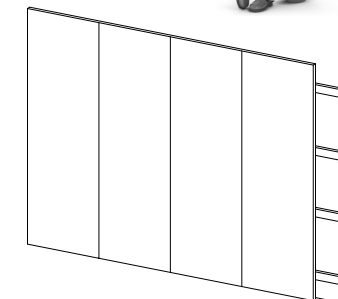
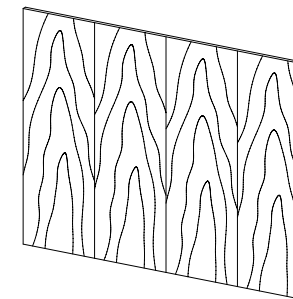
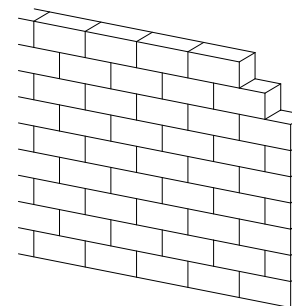
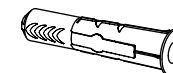
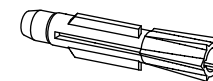
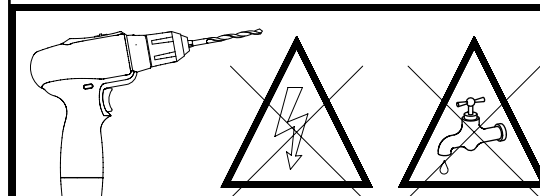
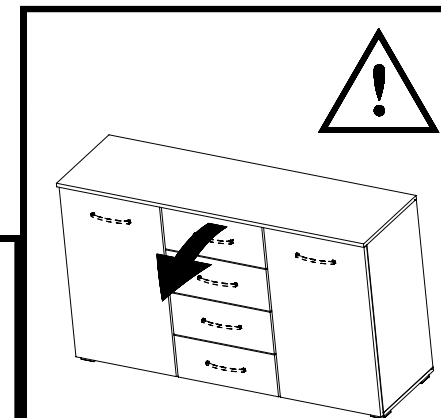
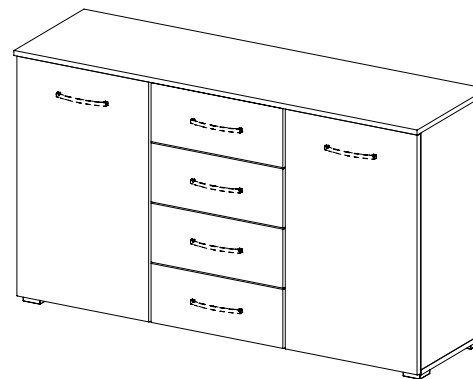
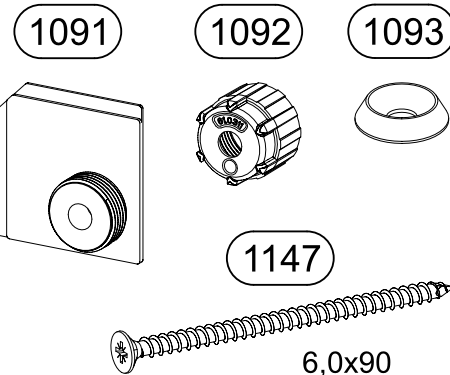
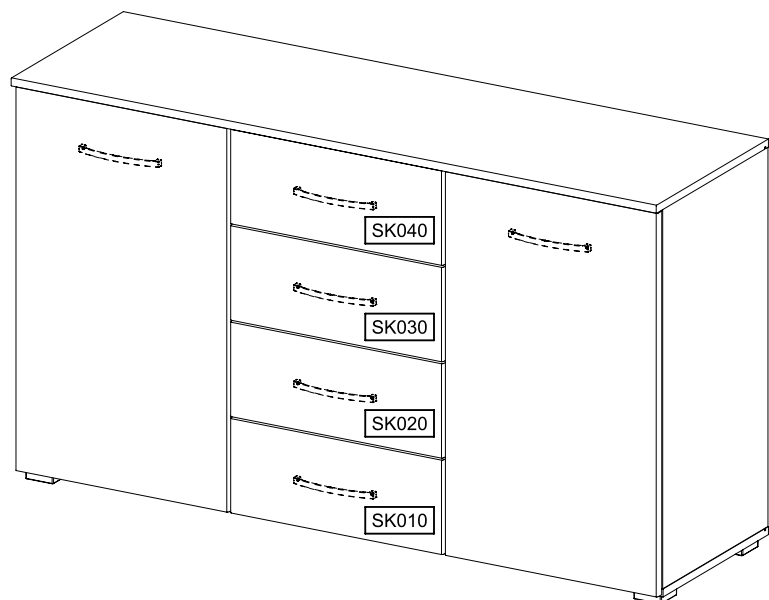
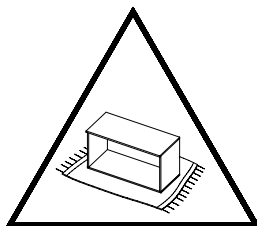
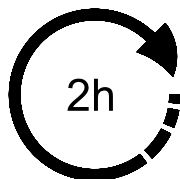
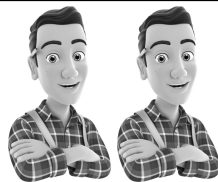
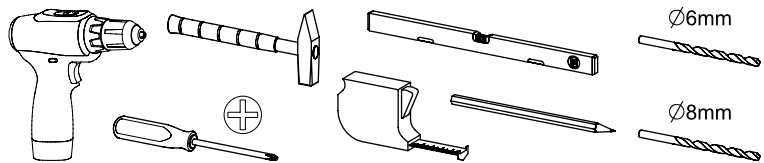
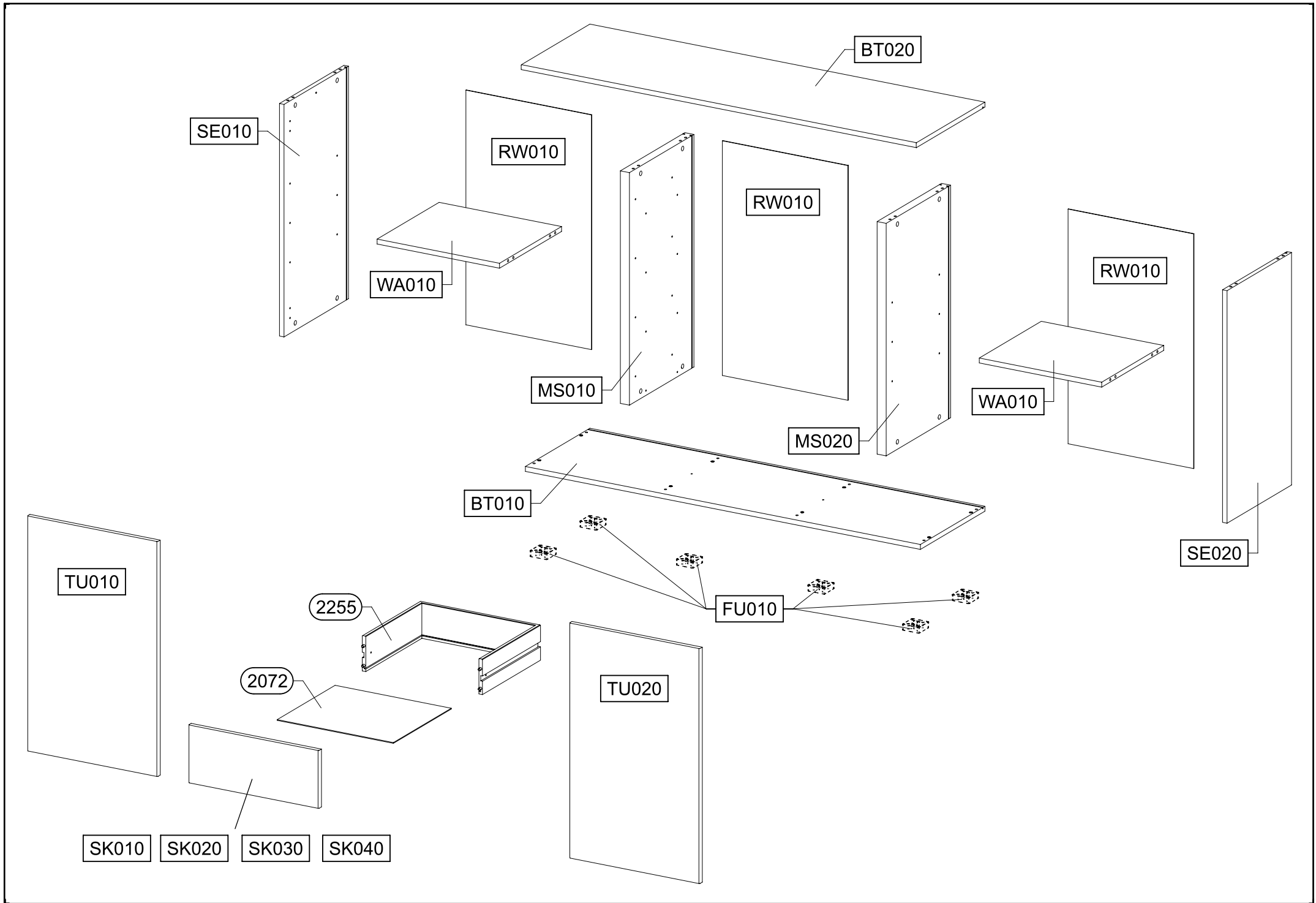
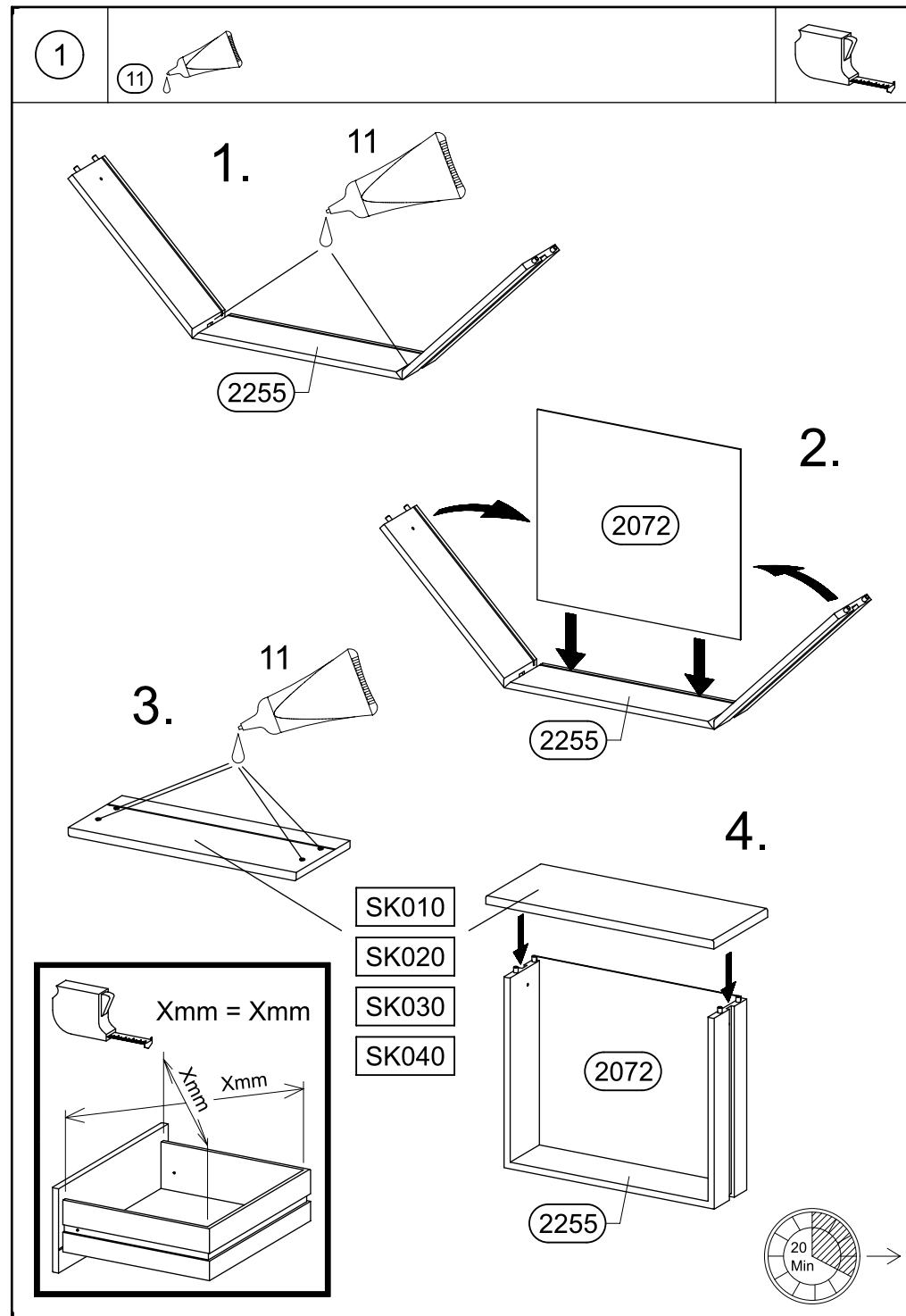
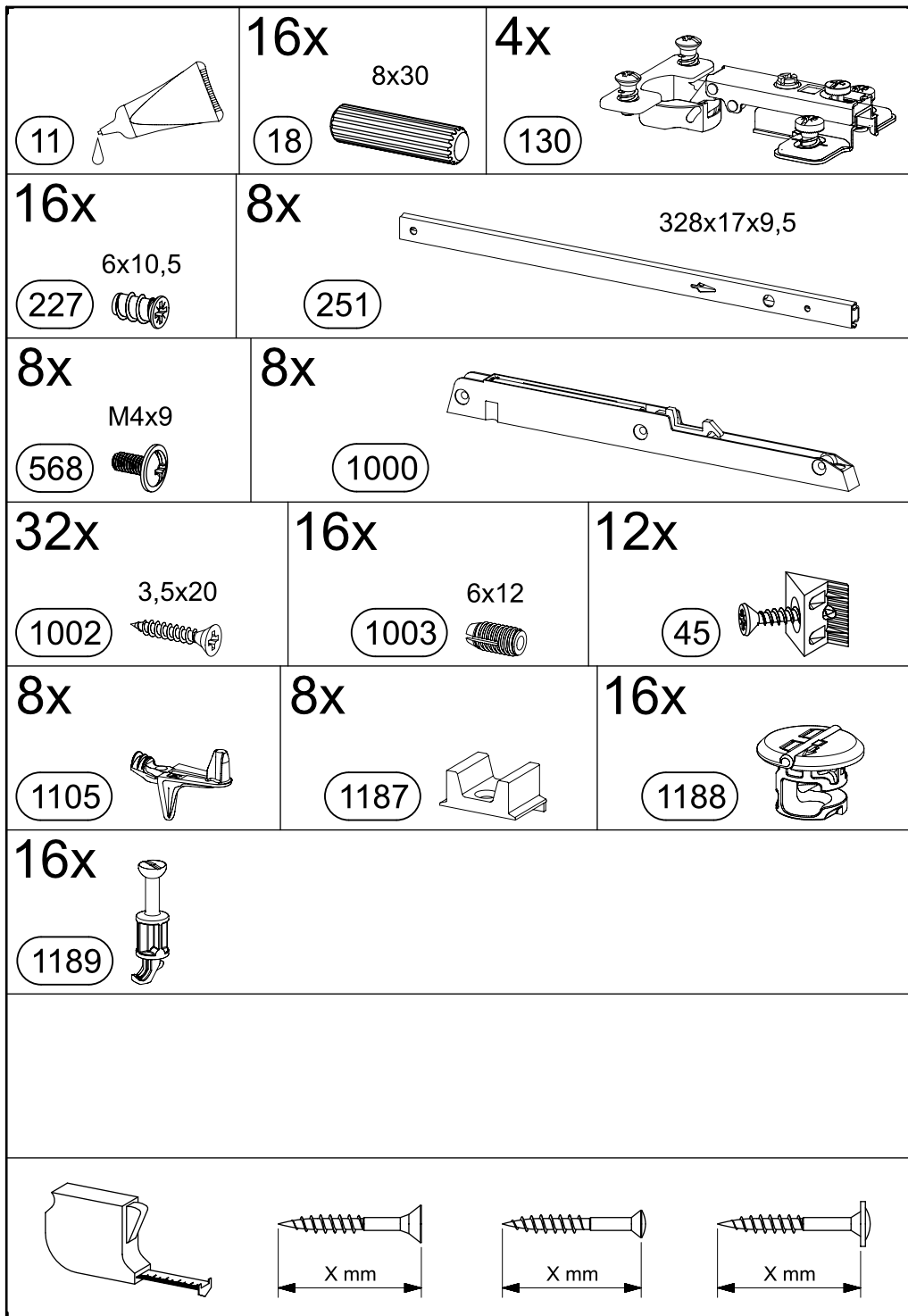


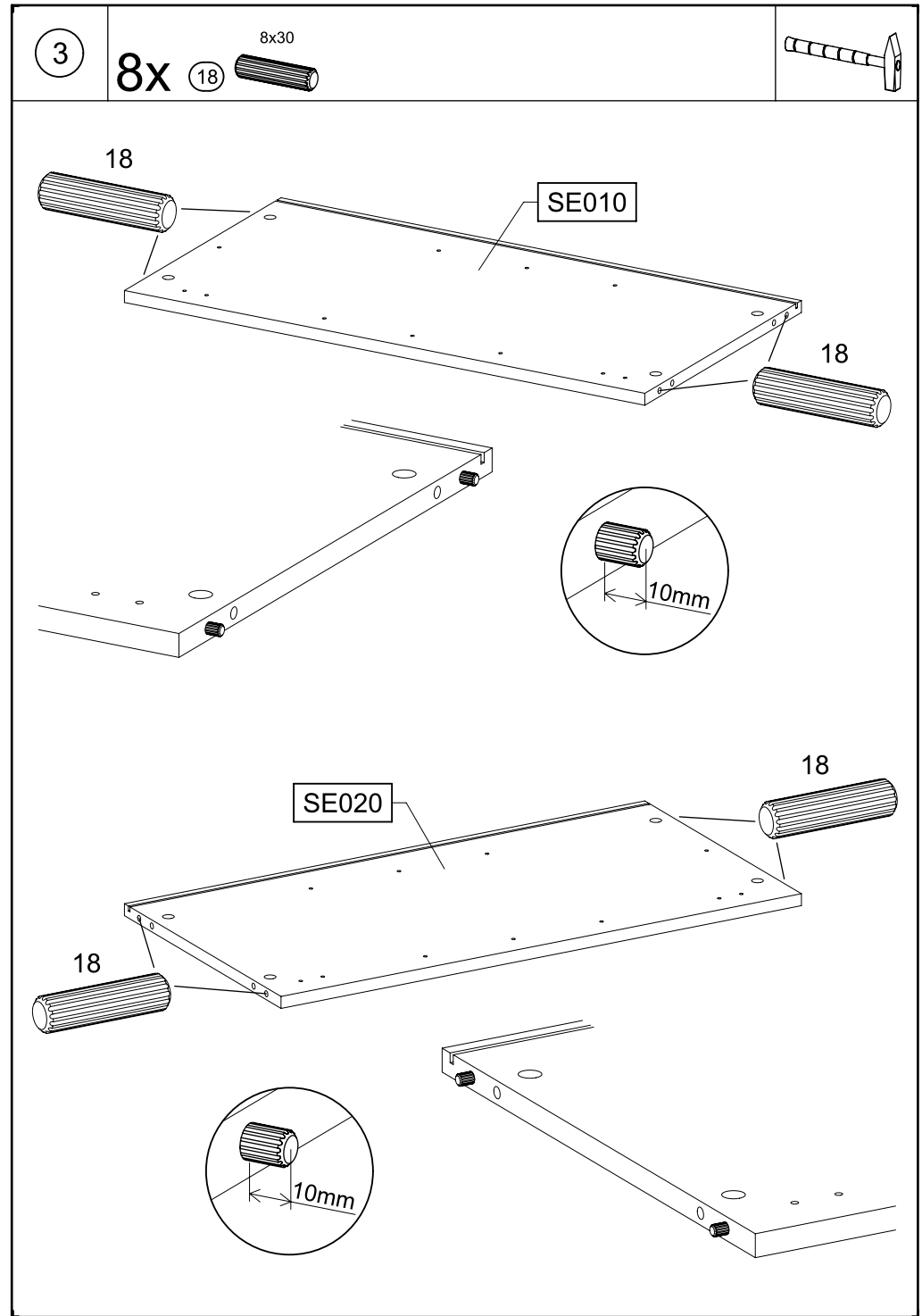
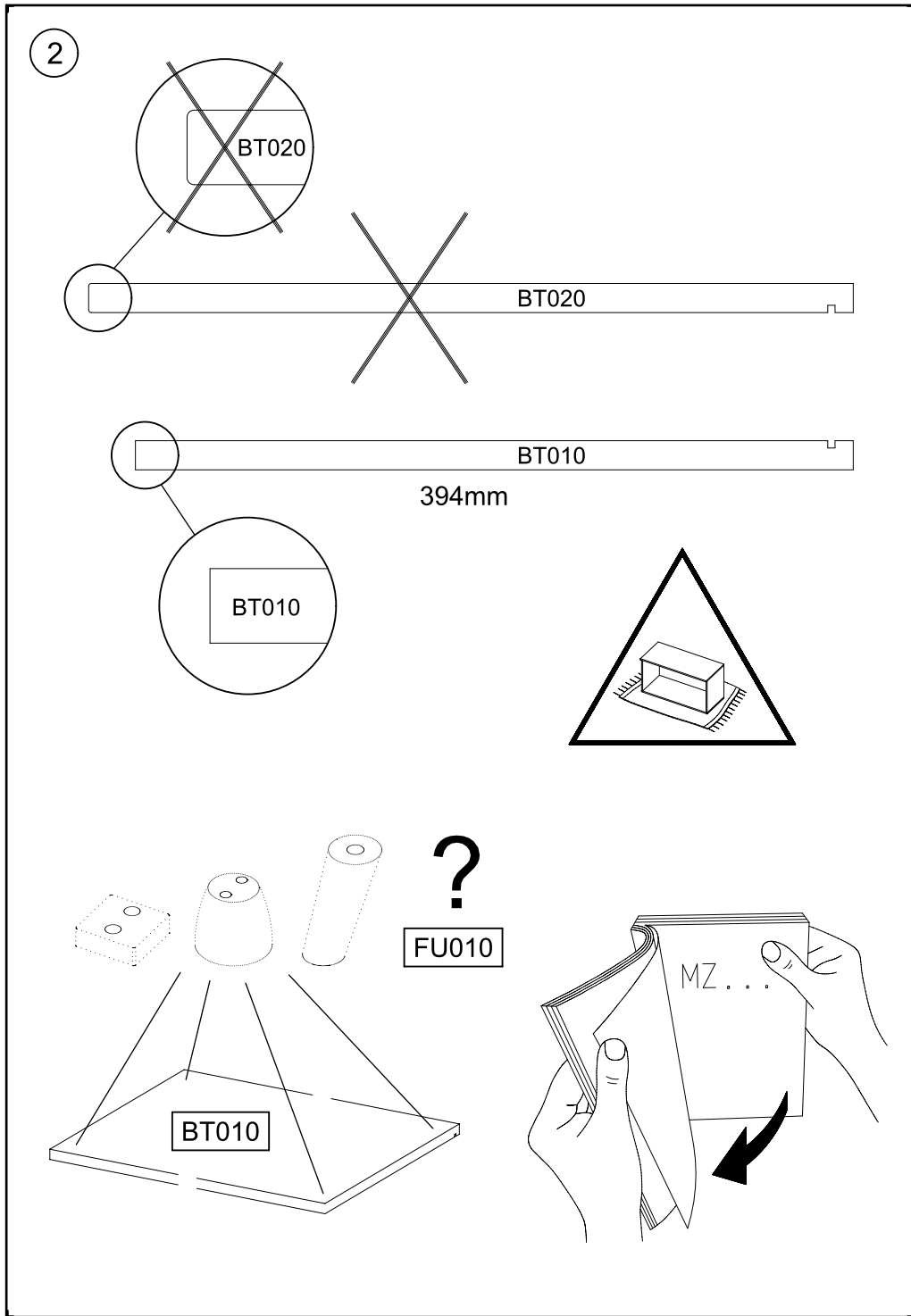
M2613\_02

rauch





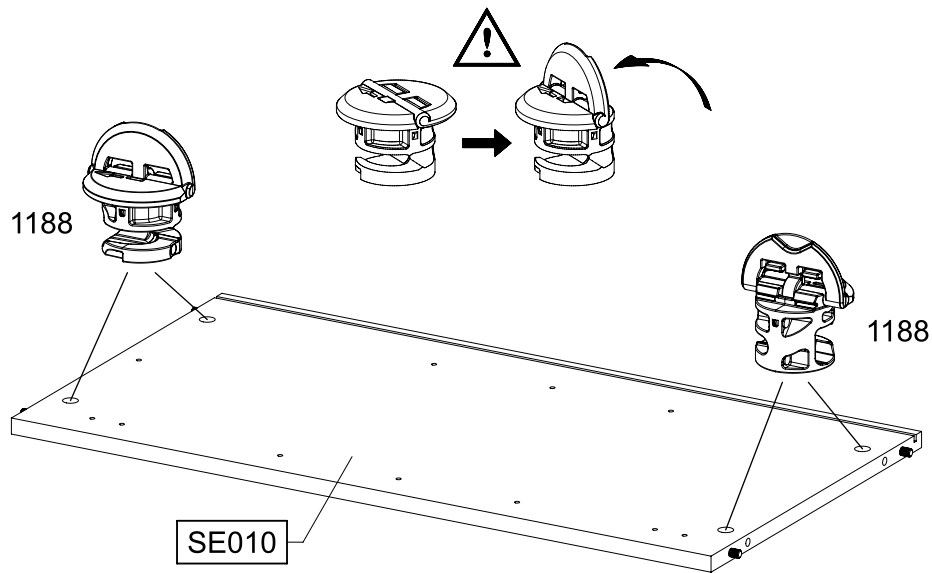






4

8x 1188



1188

1188

SE010

1188

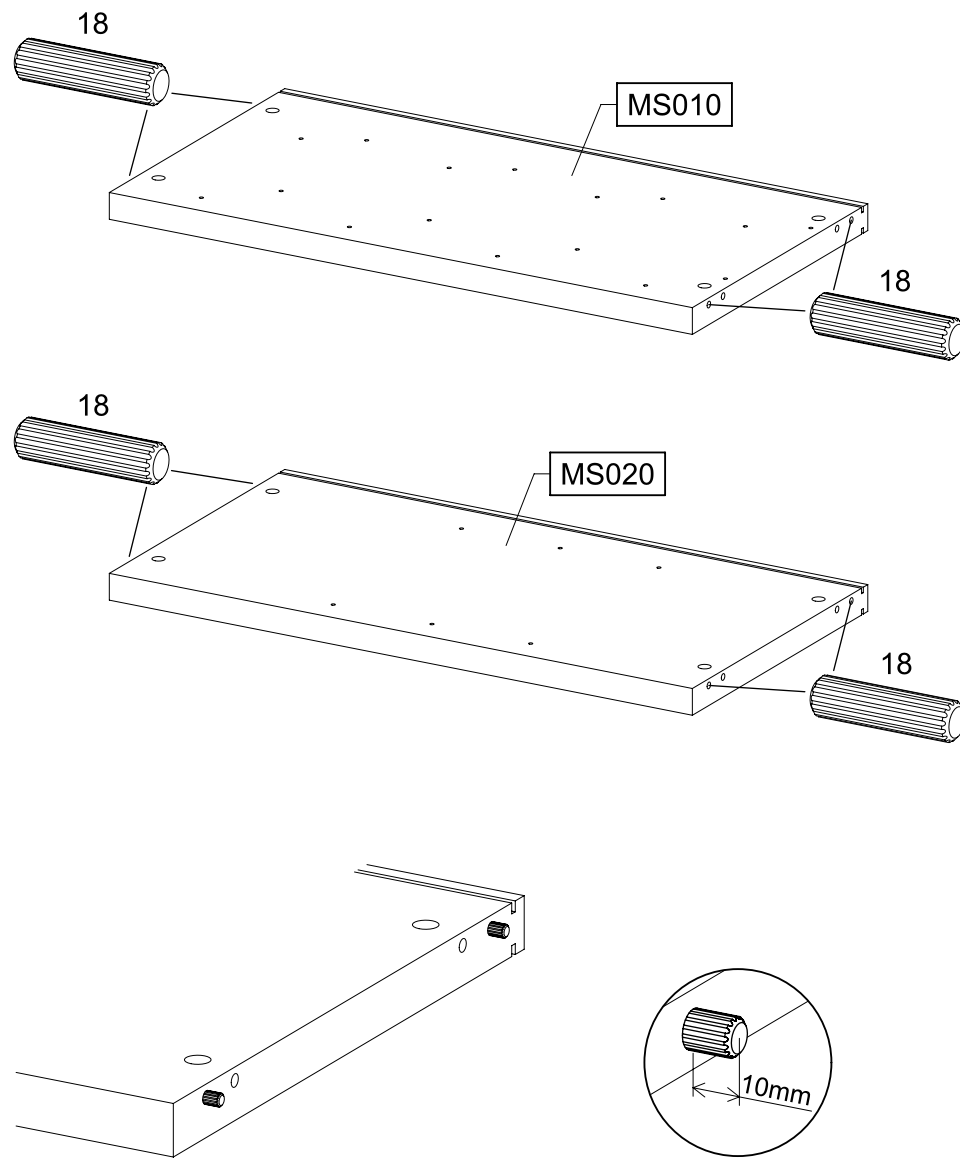
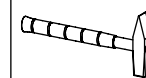
1188

SE020

5

8x 18

8x30



18

MS010

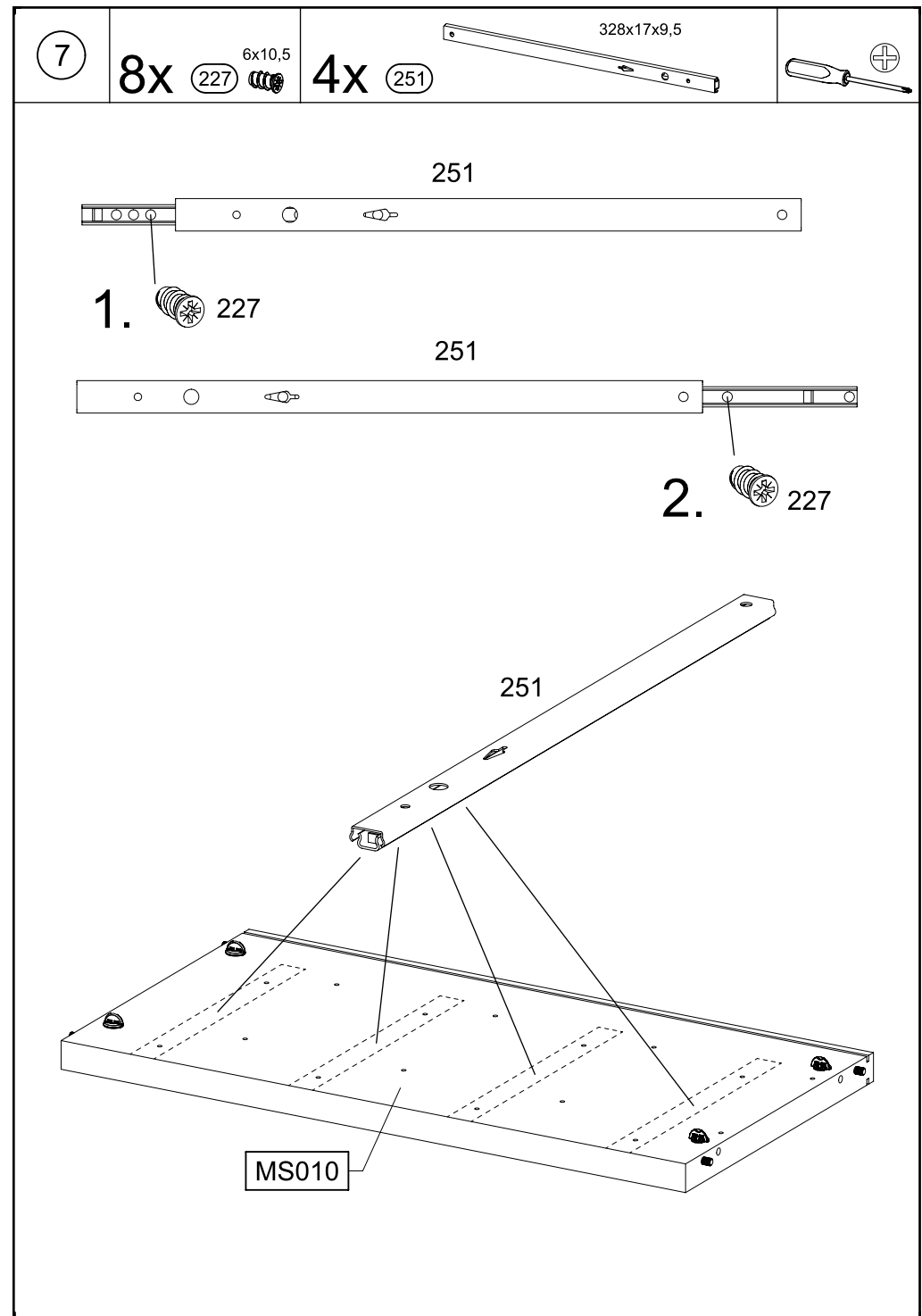
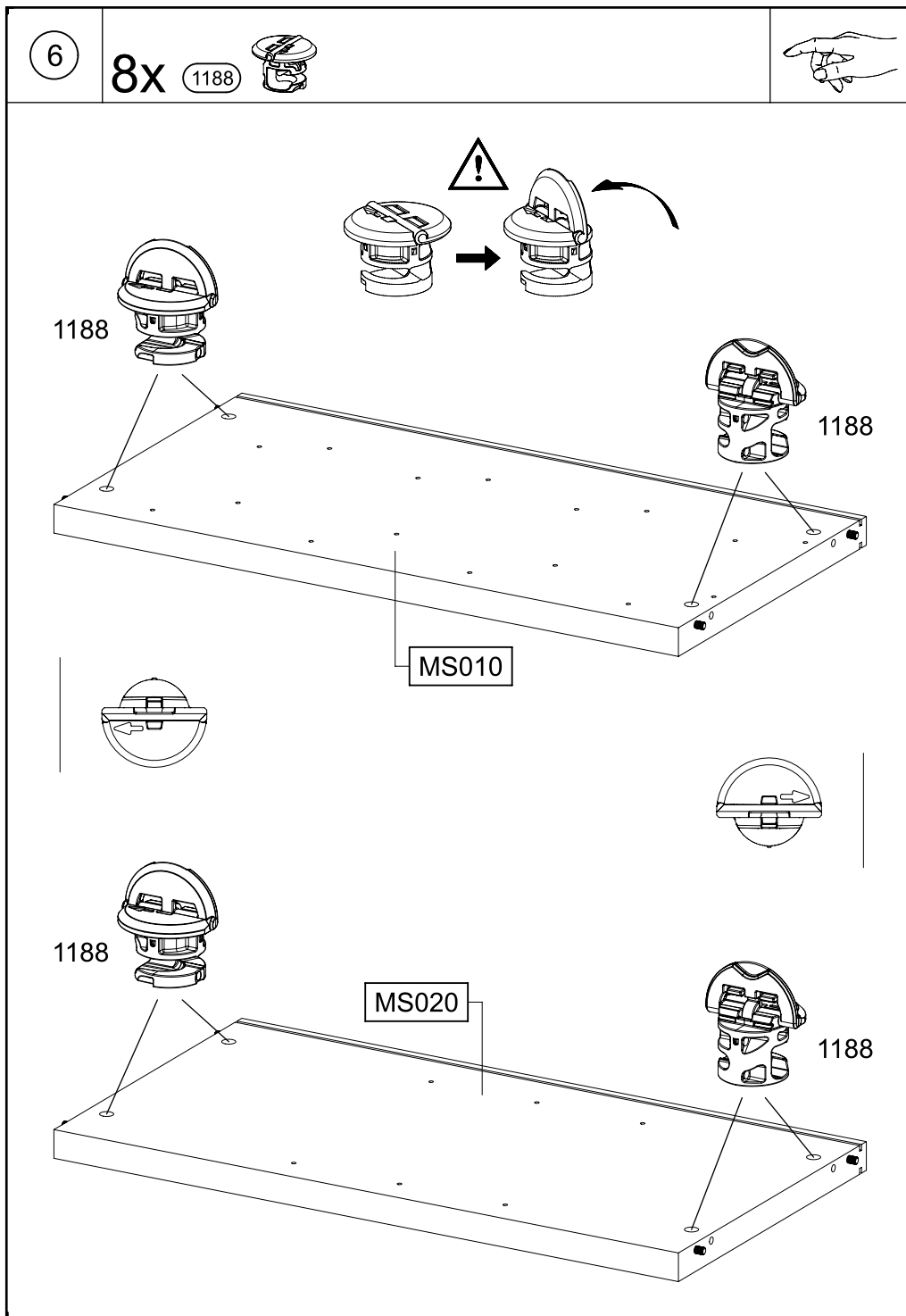
18

18

MS020

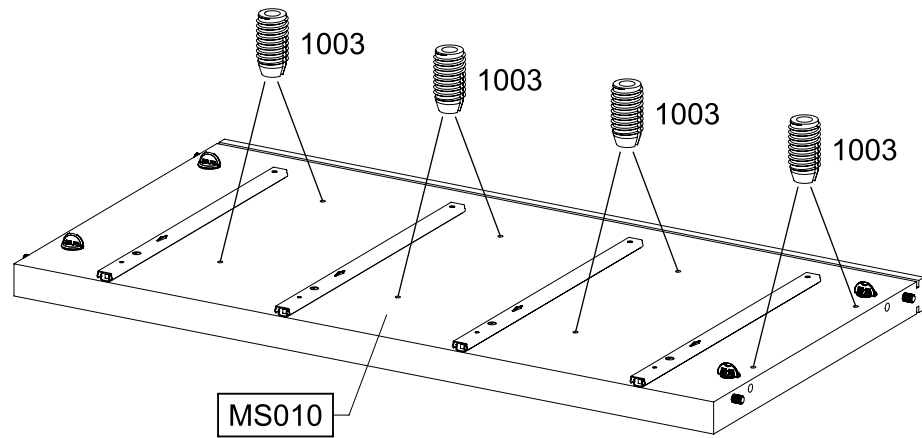
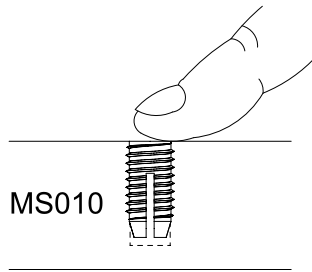
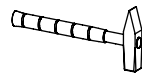
18

10mm



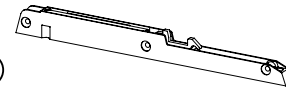
8

8x 1003 6x12

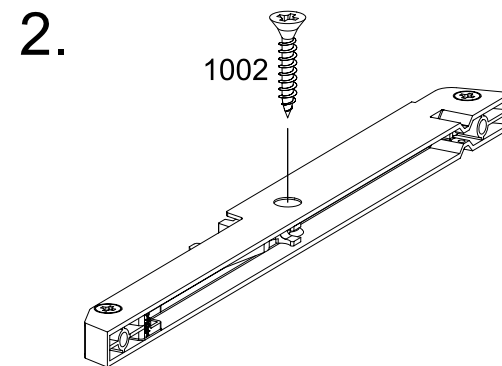
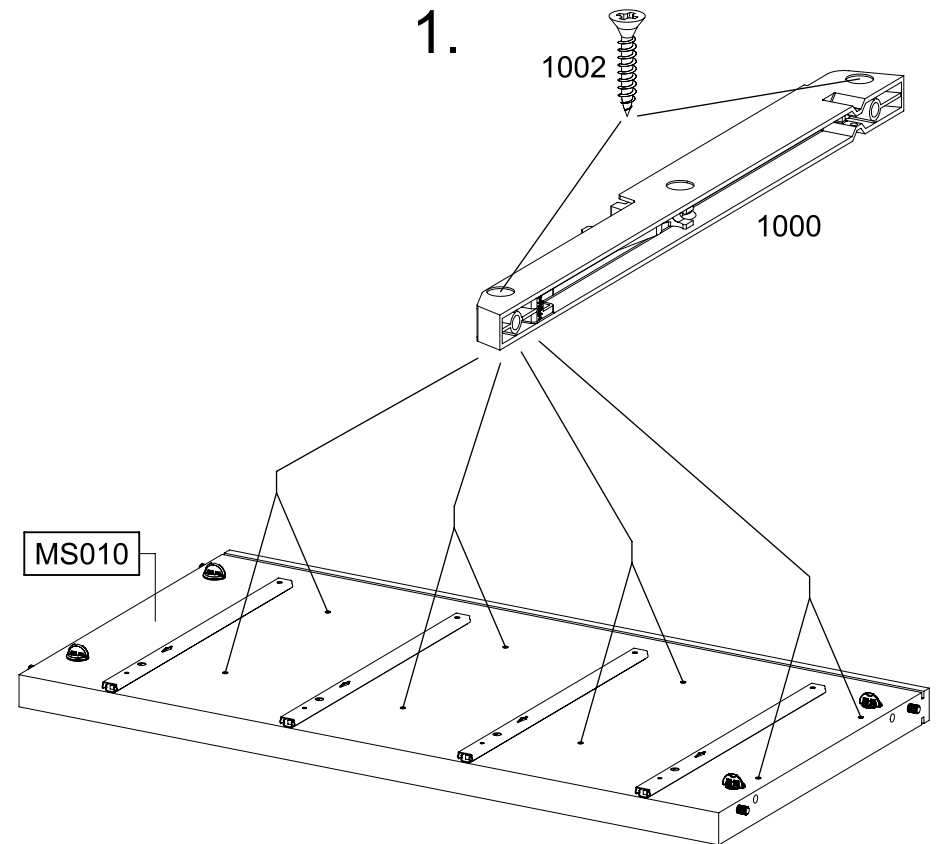
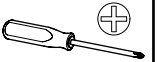


9

4x 1000



12x 1002 3,5x20



10

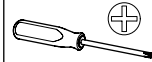
8x

227 6x10,5

4x

251

328x17x9,5



251



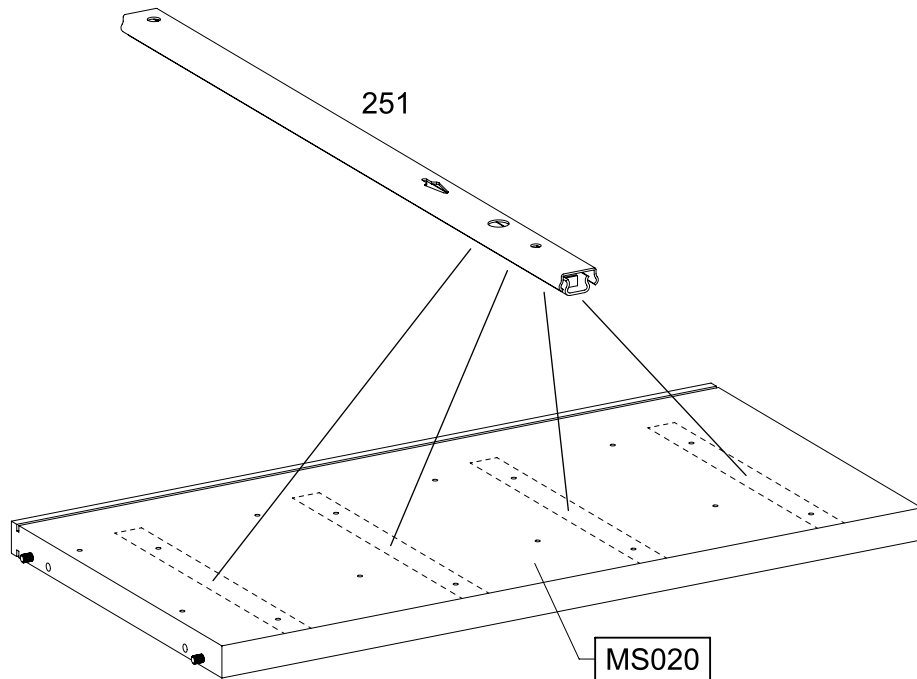
227 1.

251



227 2.

251

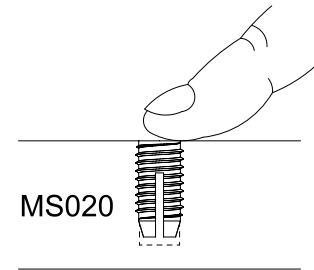
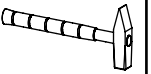


MS020

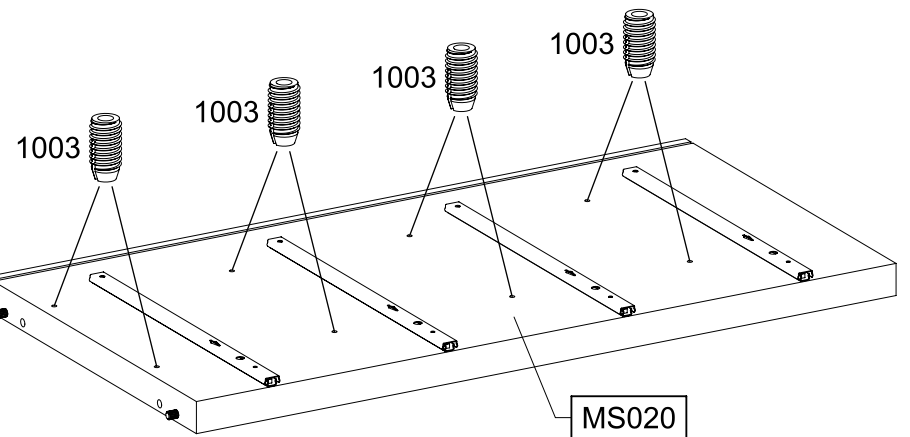
11

8x

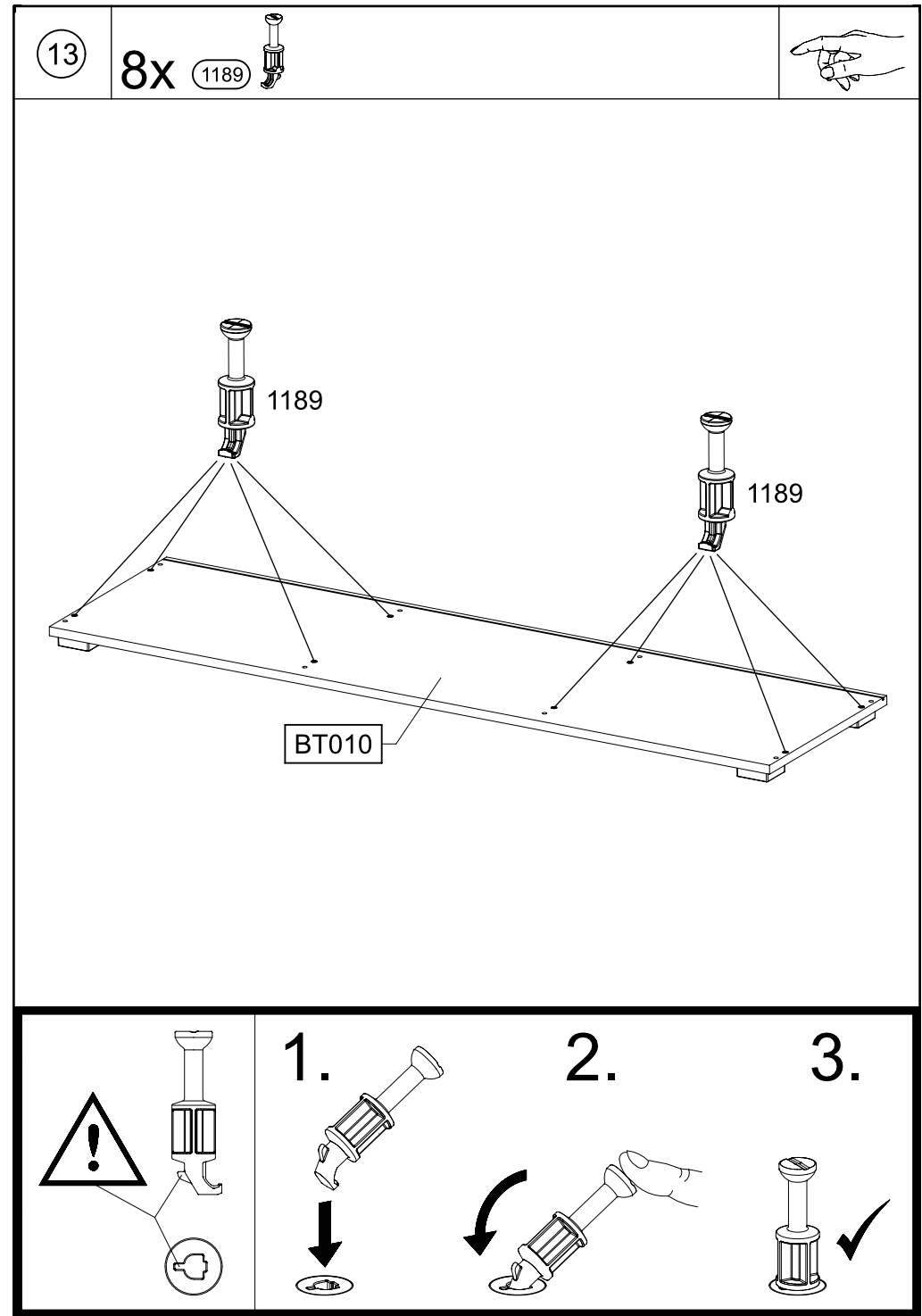
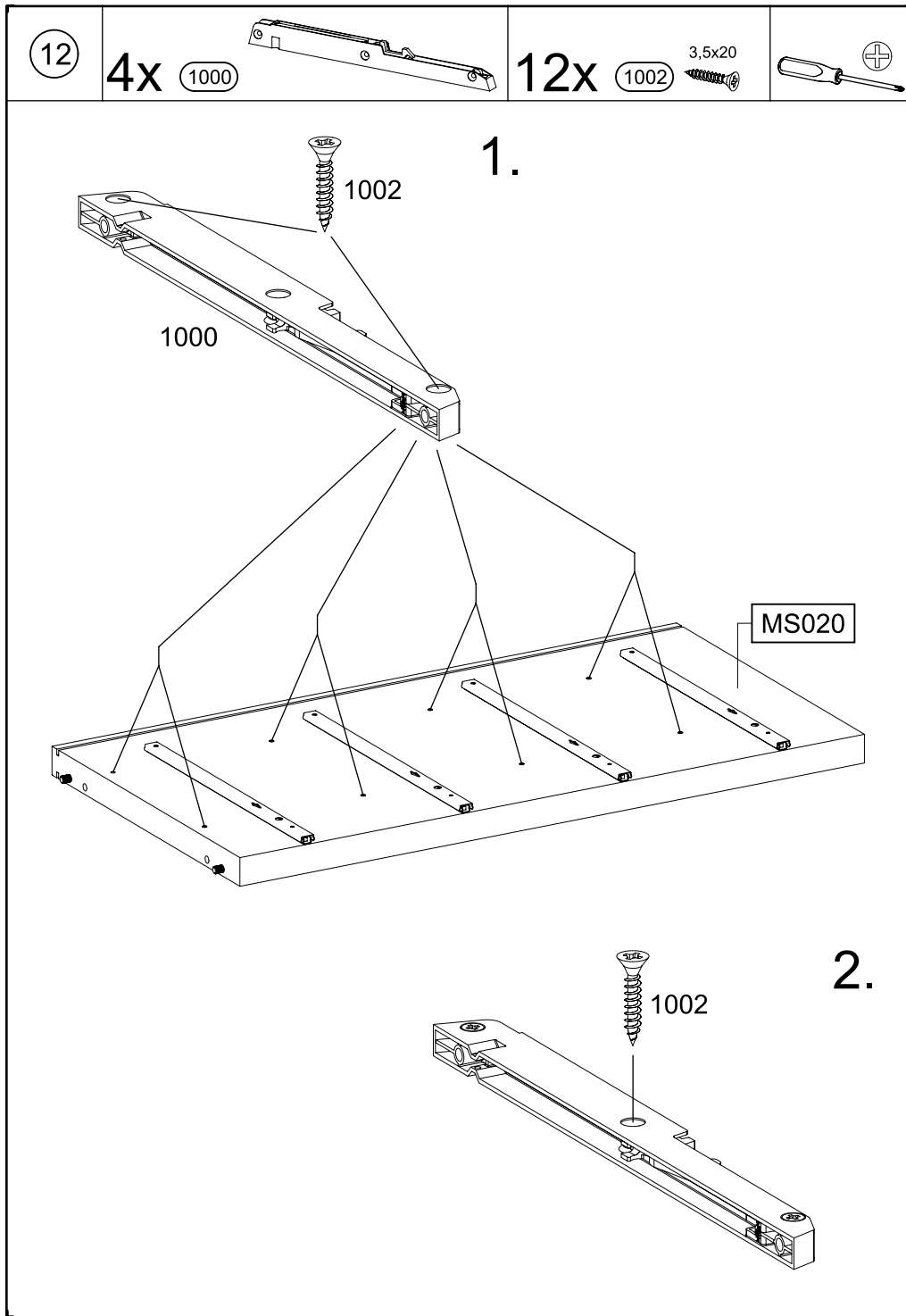
1003 6x12



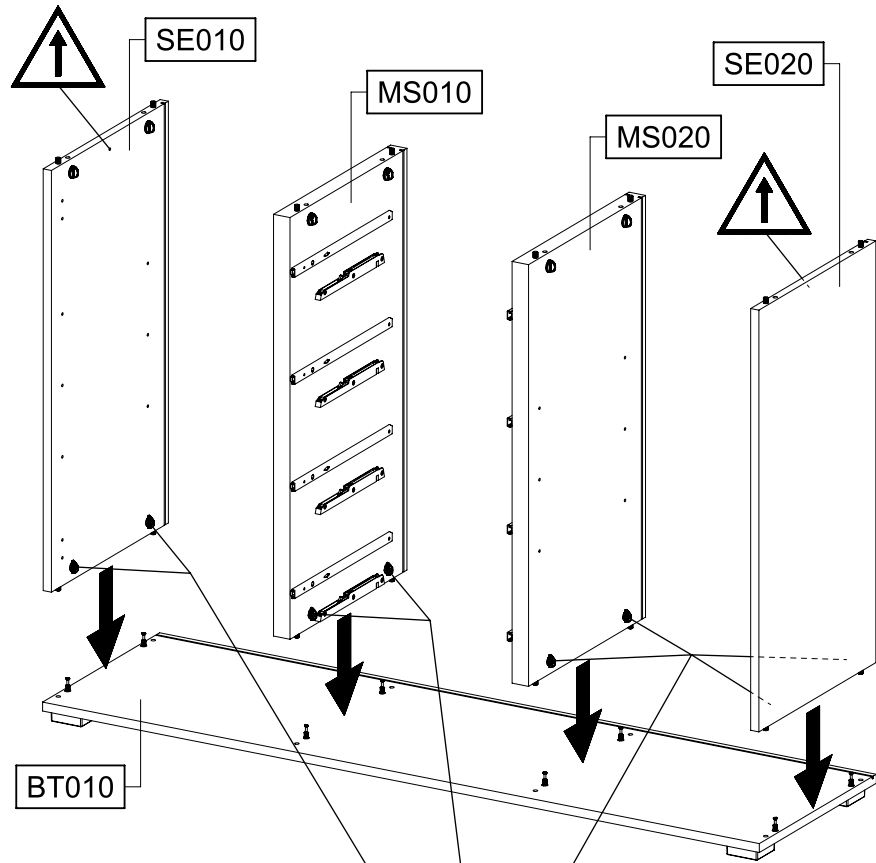
MS020



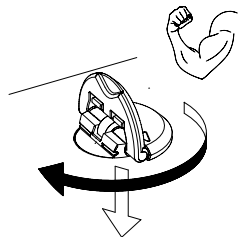
MS020



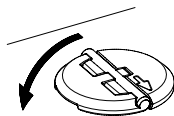
14



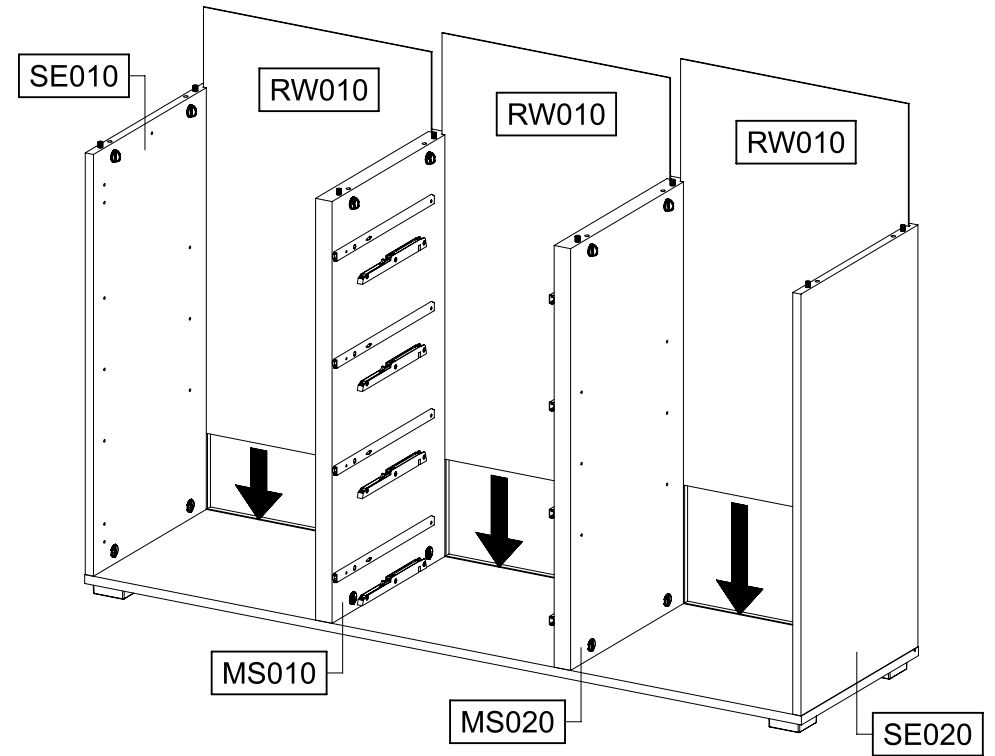
1.



2.

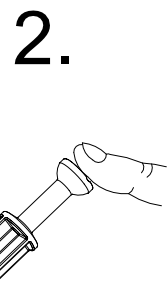
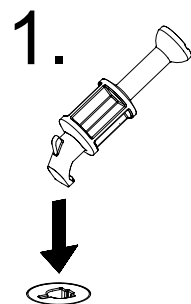
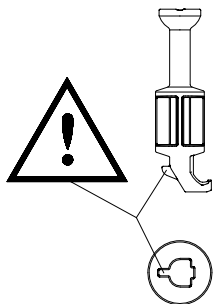
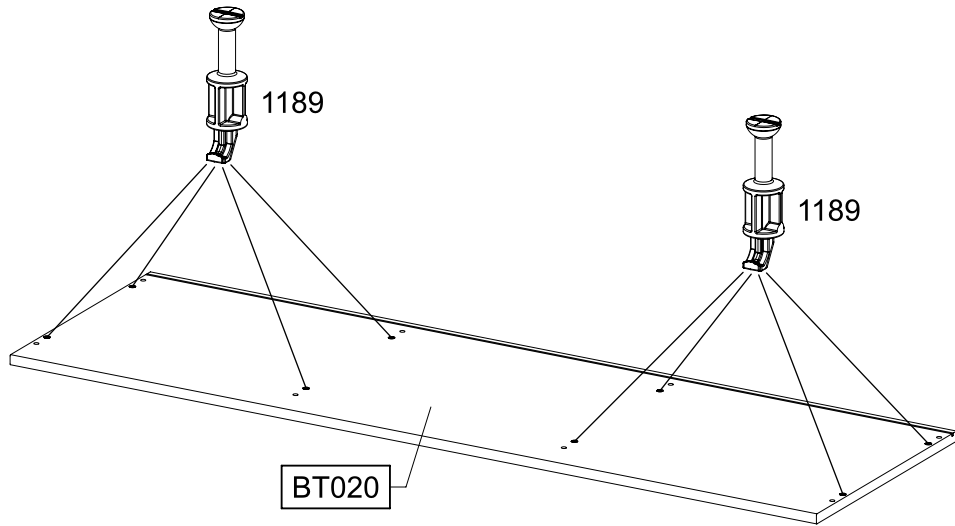


15

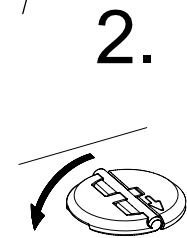
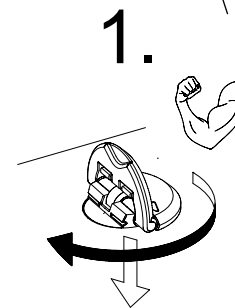
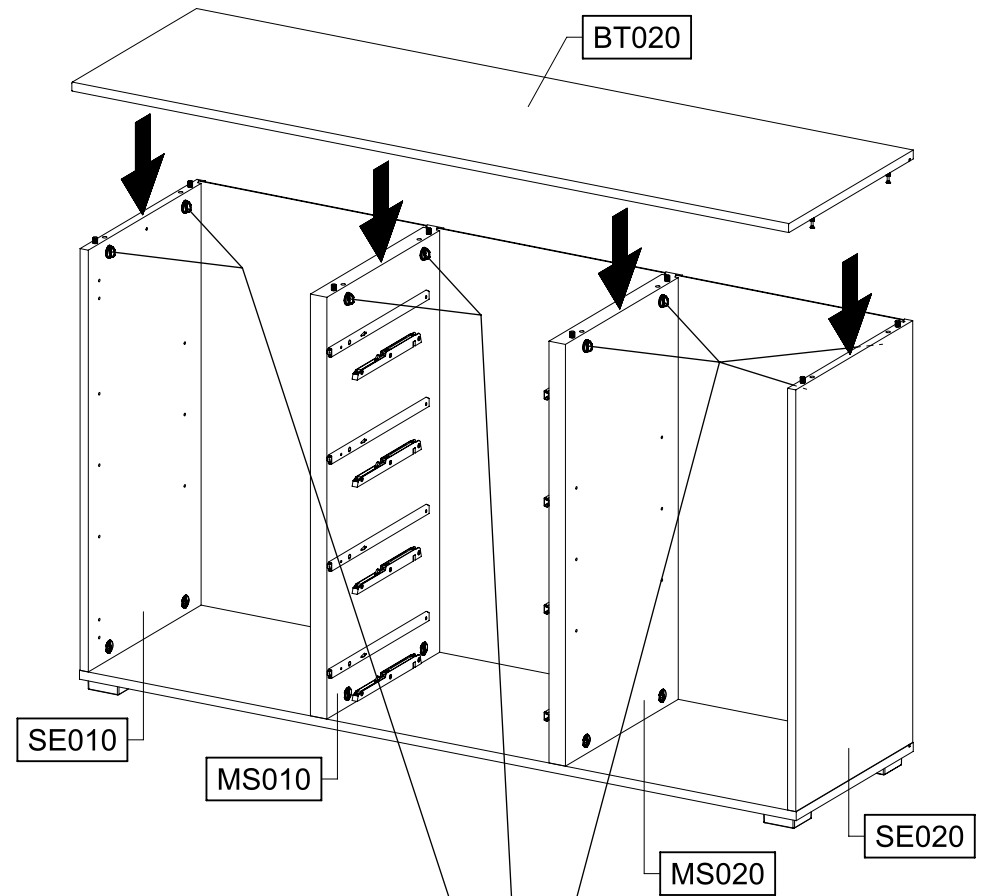


16

8x 1189



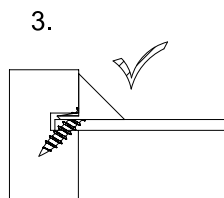
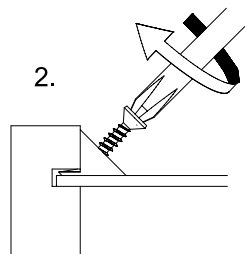
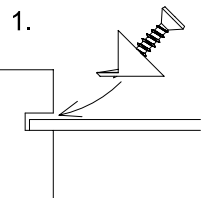
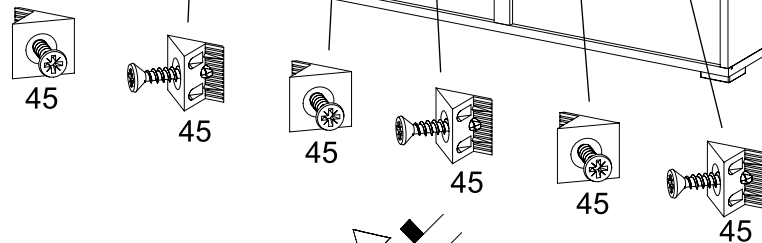
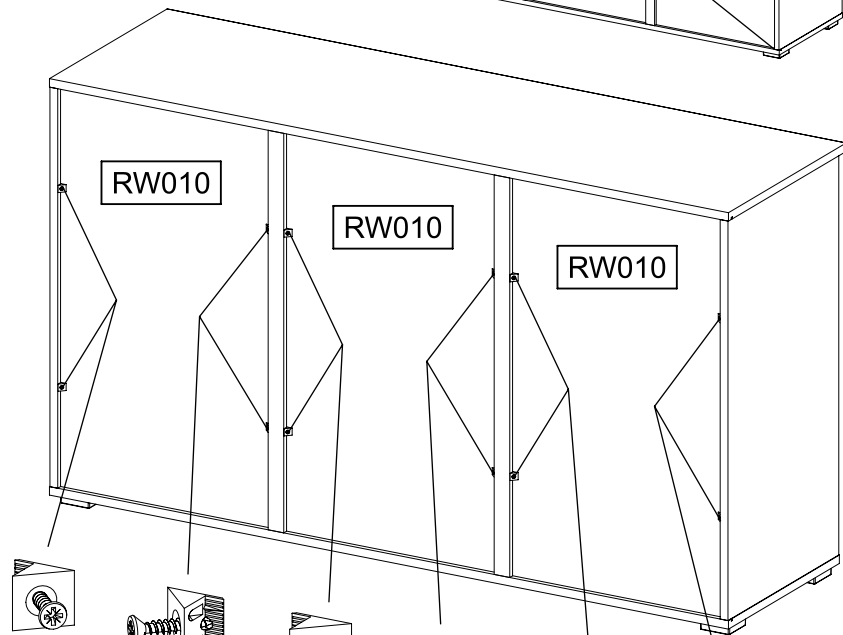
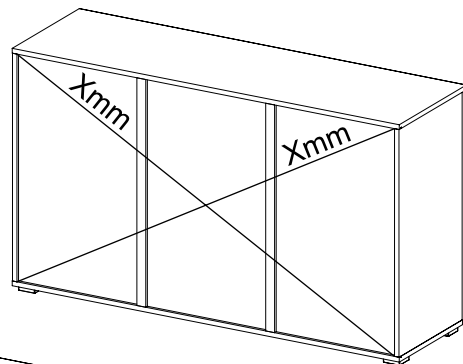
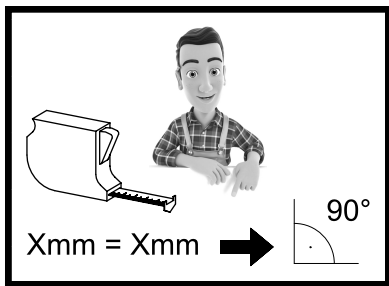
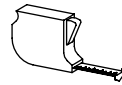
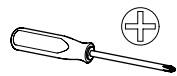
17



18

12x

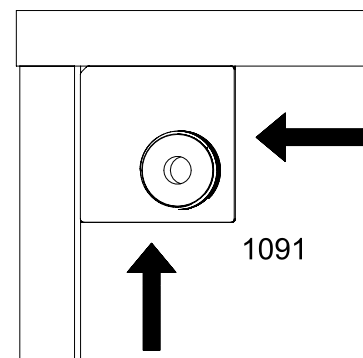
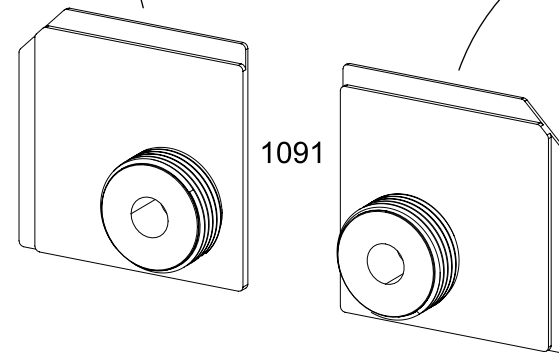
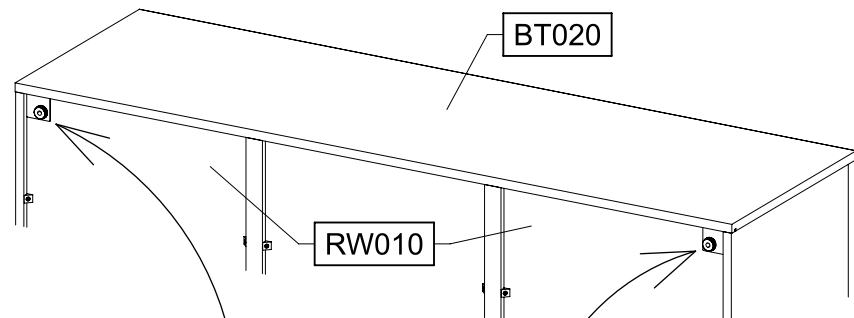
45



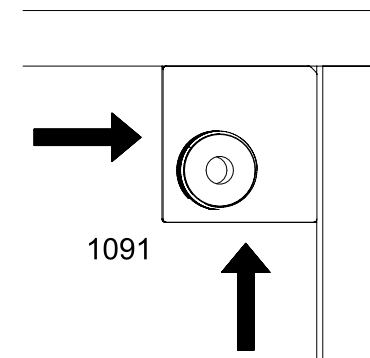
19

2x

1091

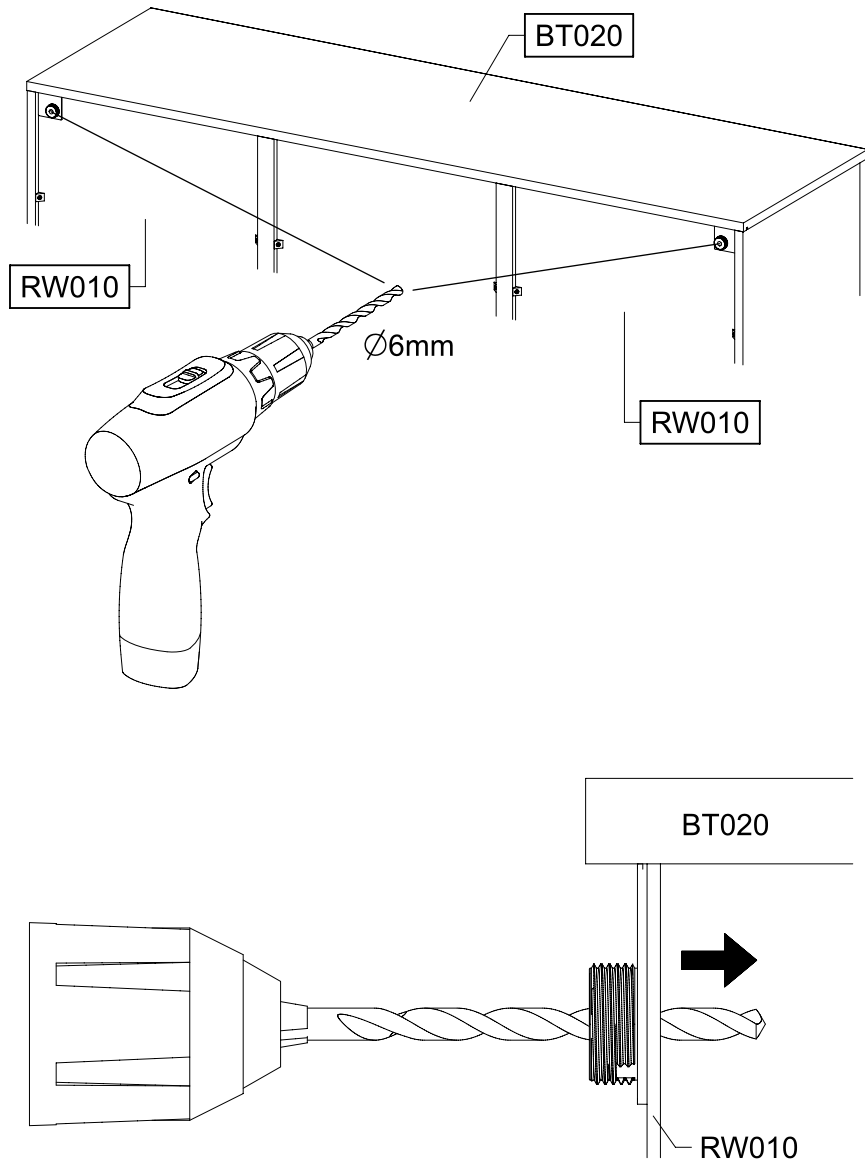
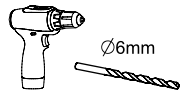


RW010

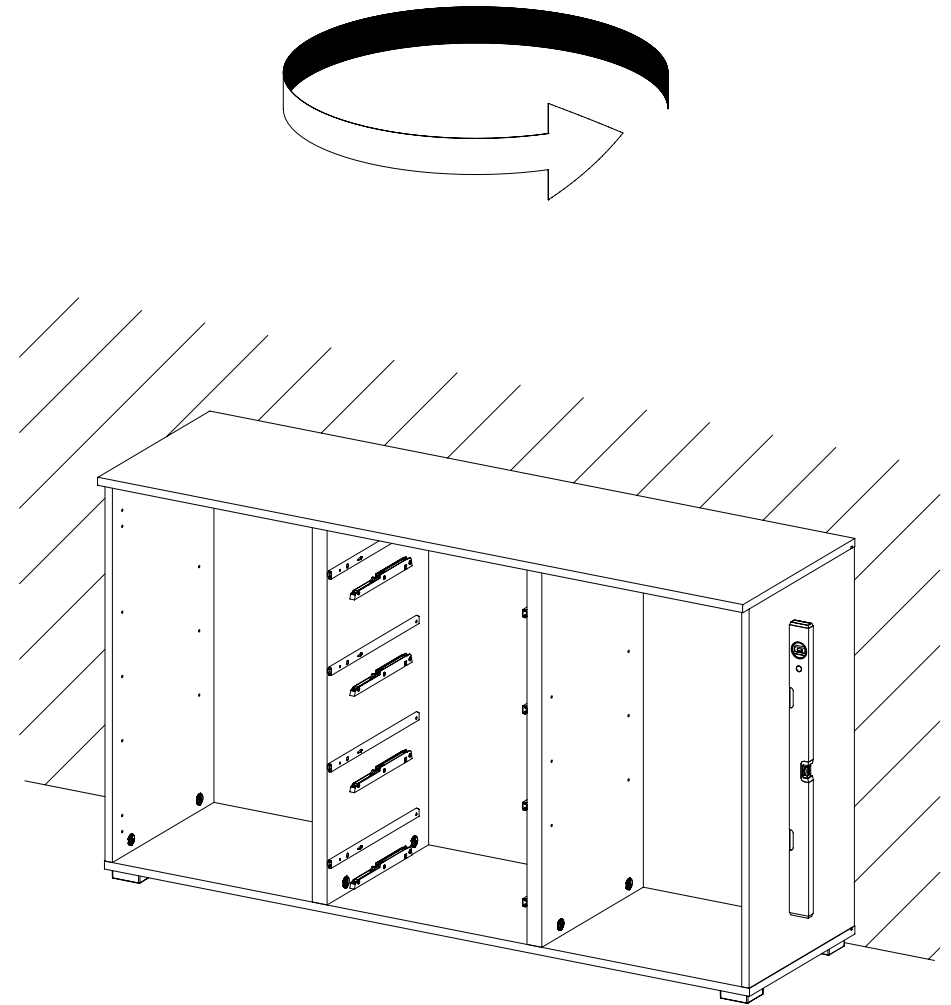
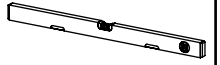




20



21

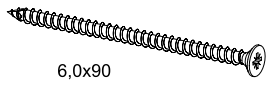


22

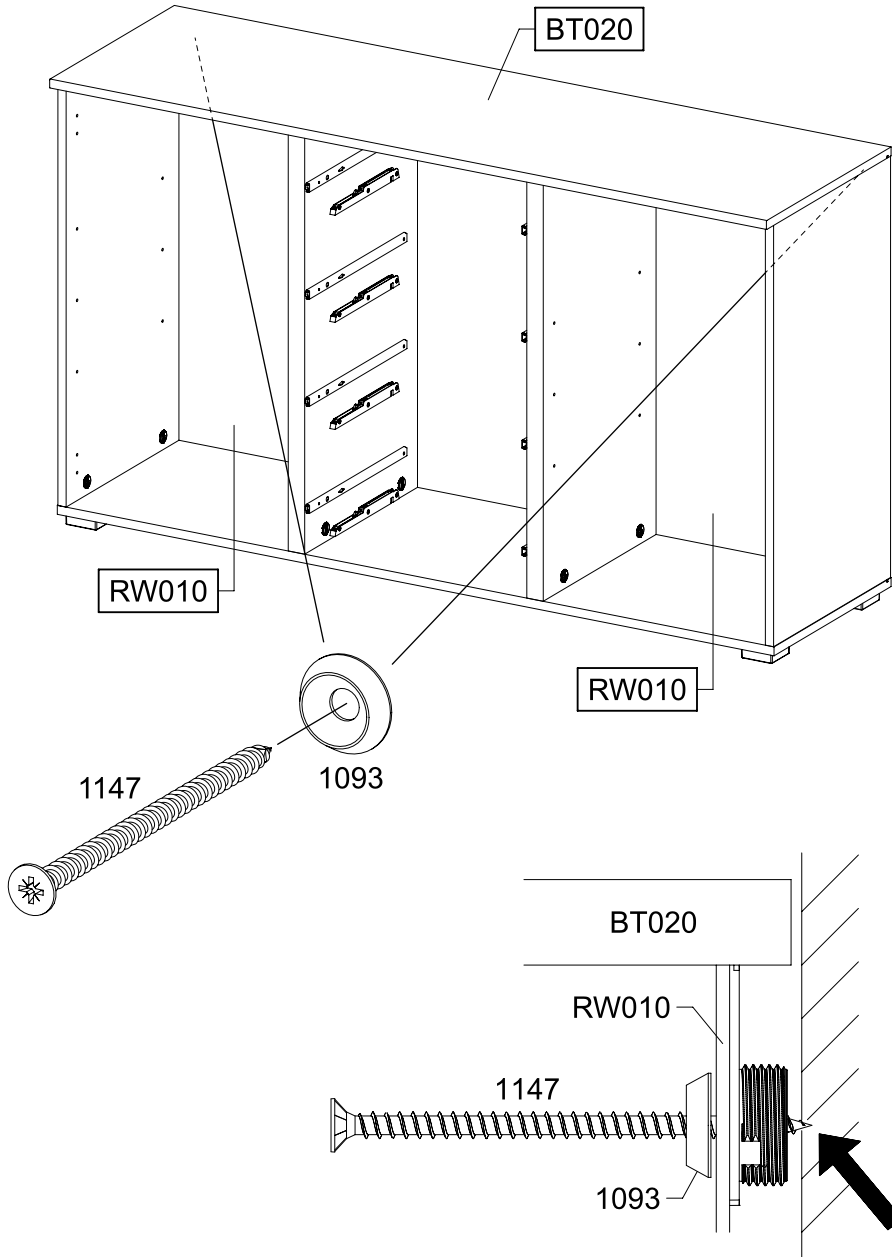
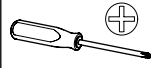
2x 1093



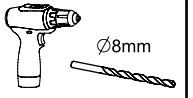
2x 1147



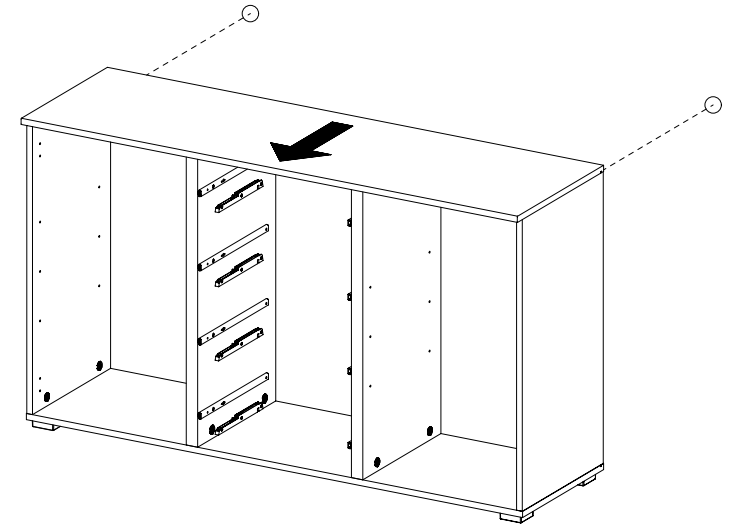
6,0x90



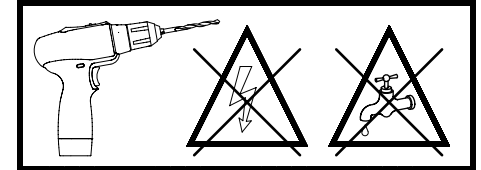
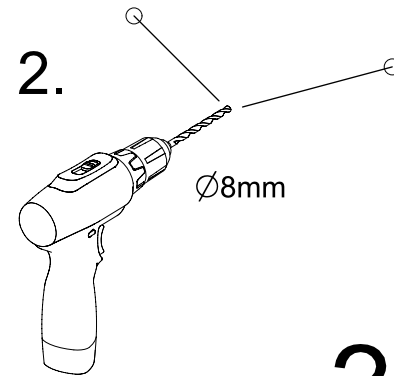
23



1.

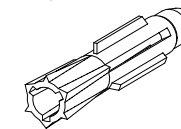
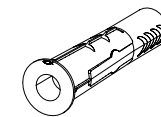


2.



?

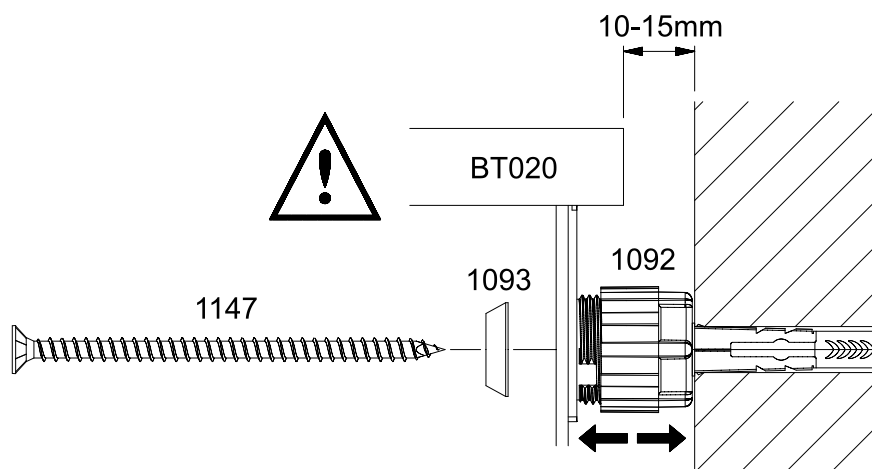
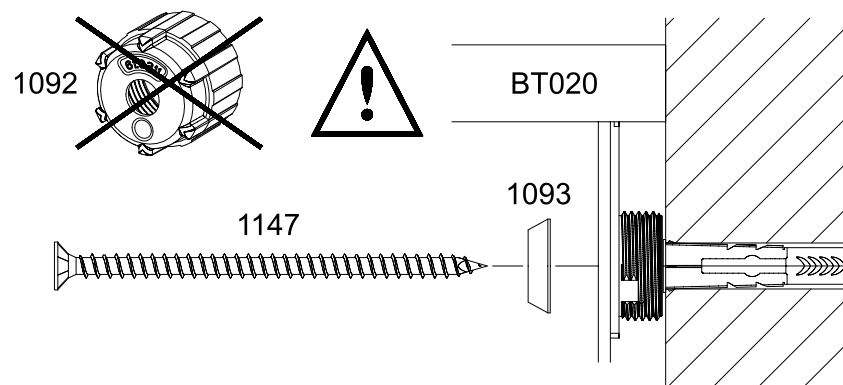
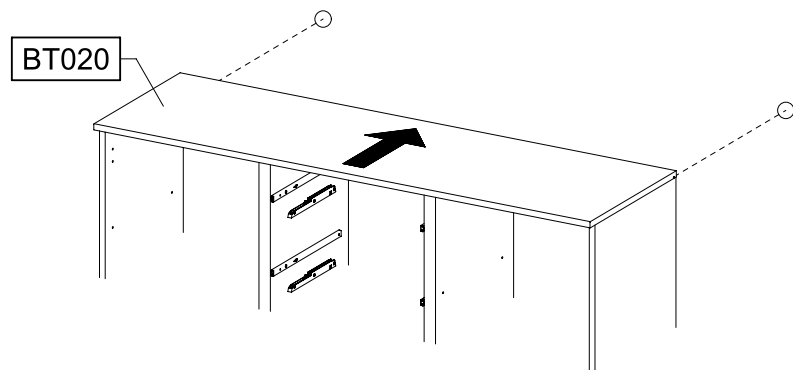
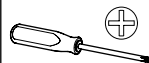
3.



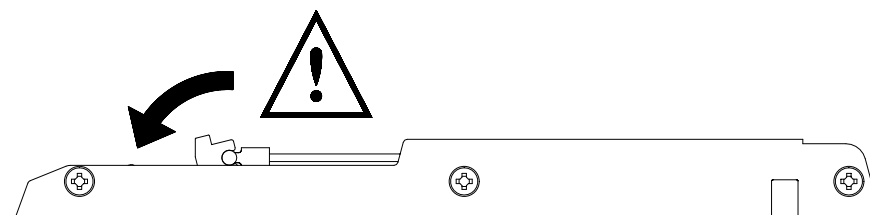
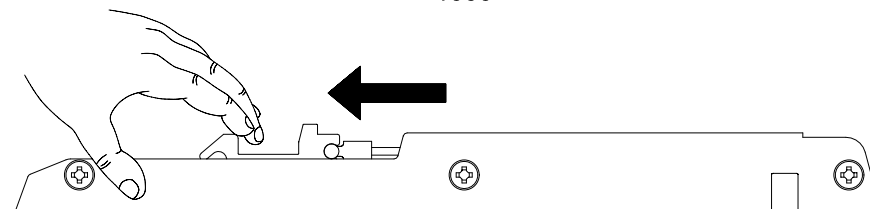
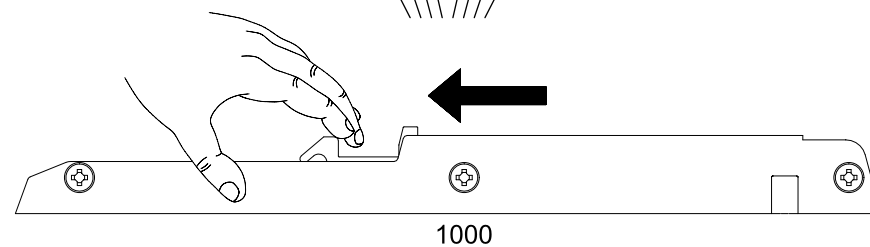
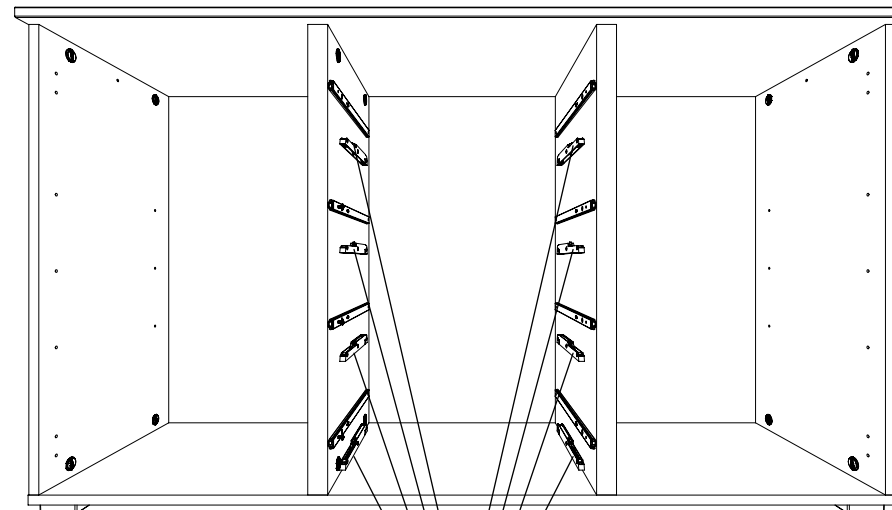
Ø8mm

24

2x 1092



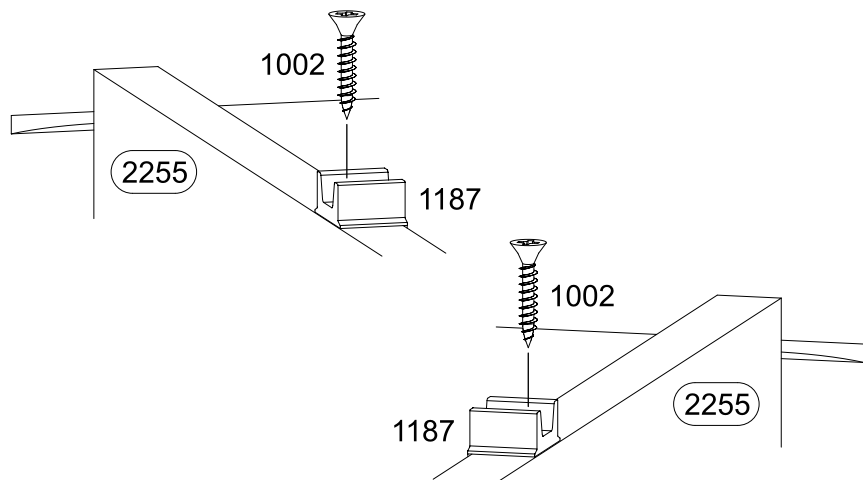
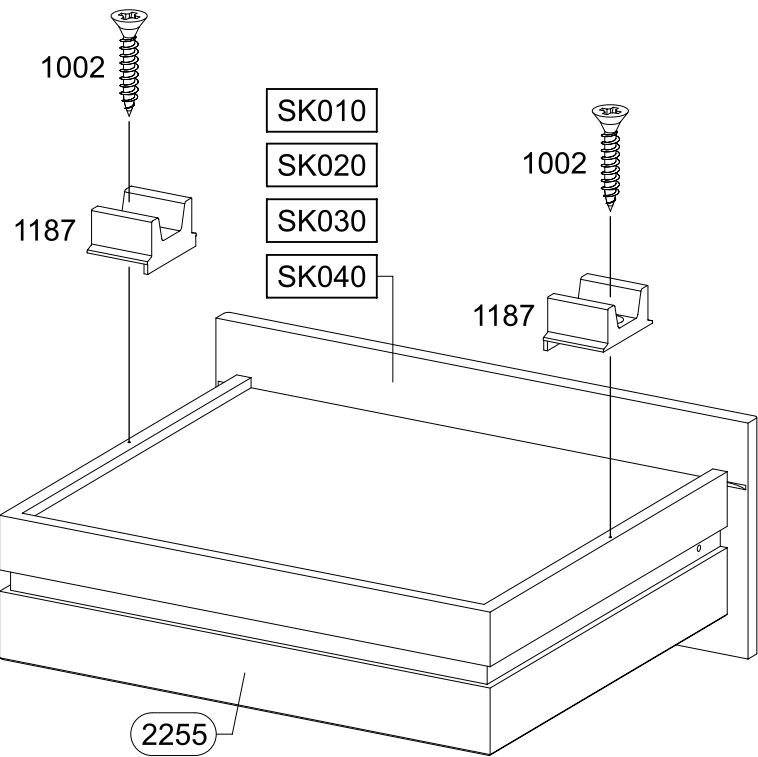
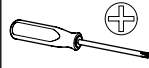
25



26

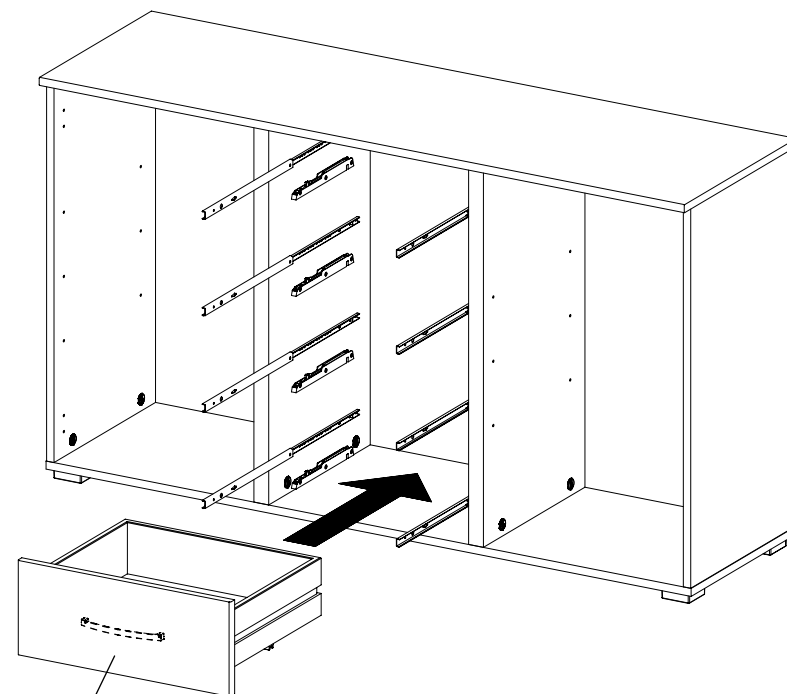
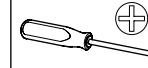
8x 1002 3,5x20

8x 1187

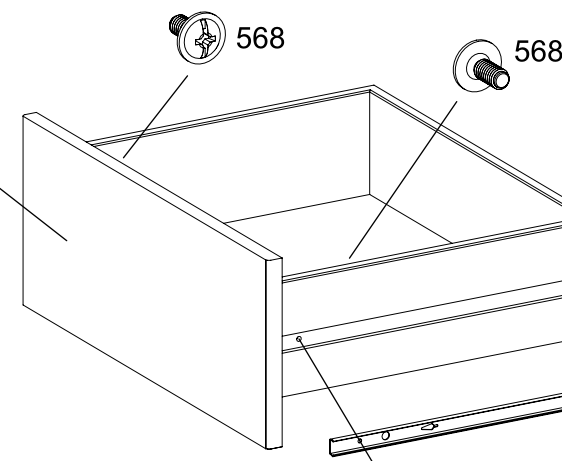


27

8x 568 M4x9

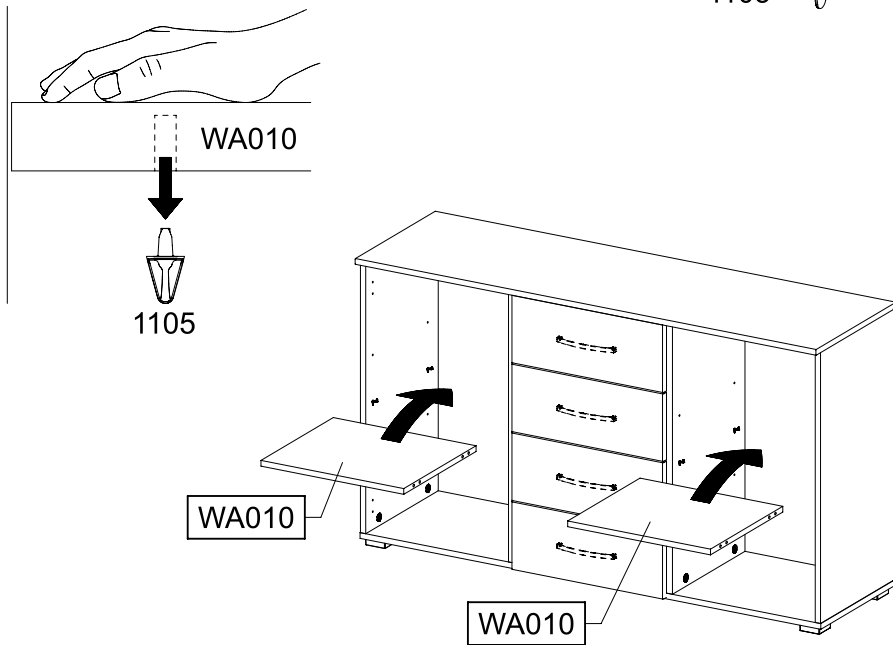
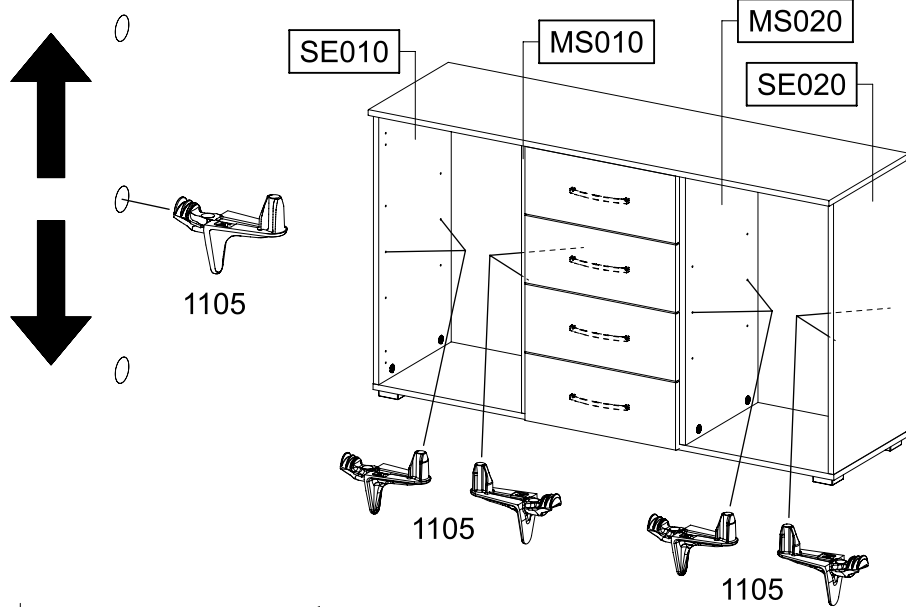


SK010  
SK020  
SK030  
SK040



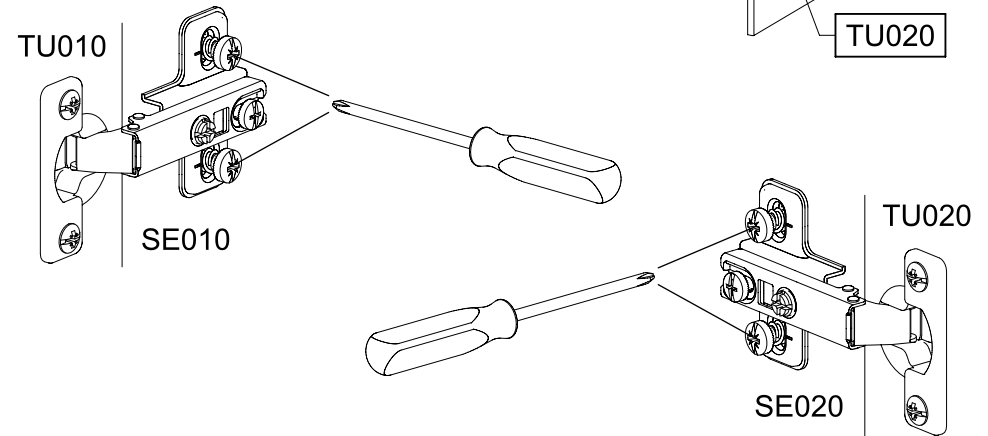
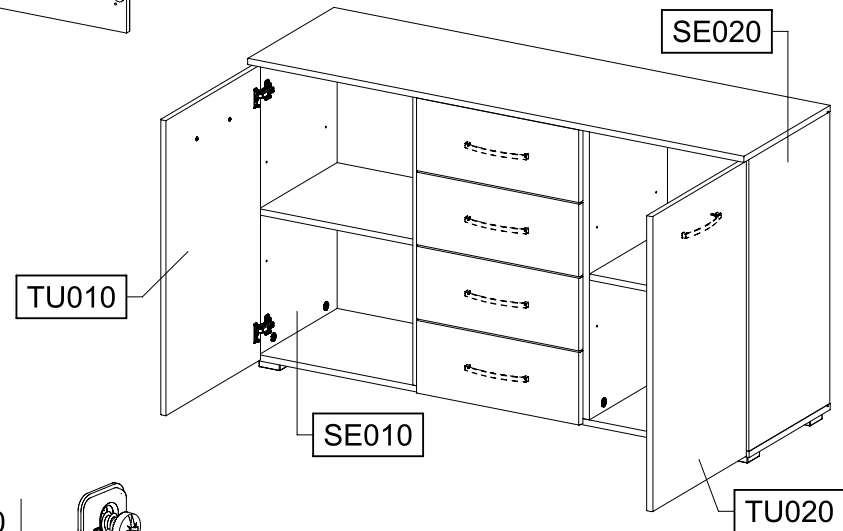
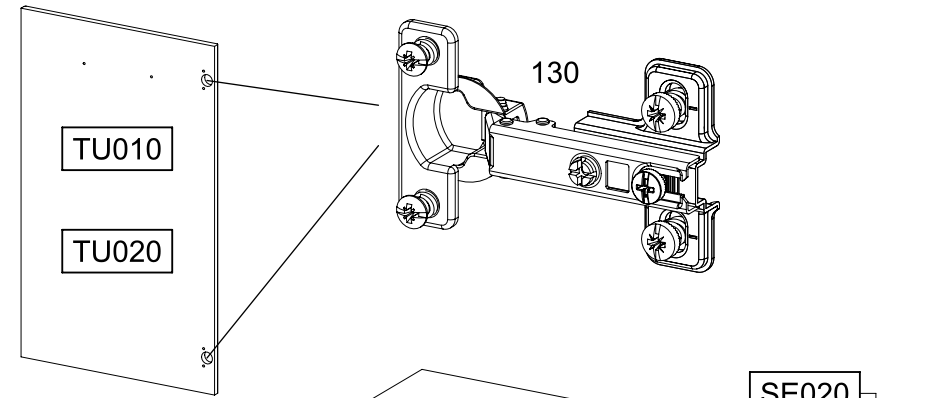
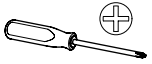
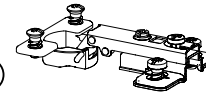
28

8x 1105



29

4x 130



30

