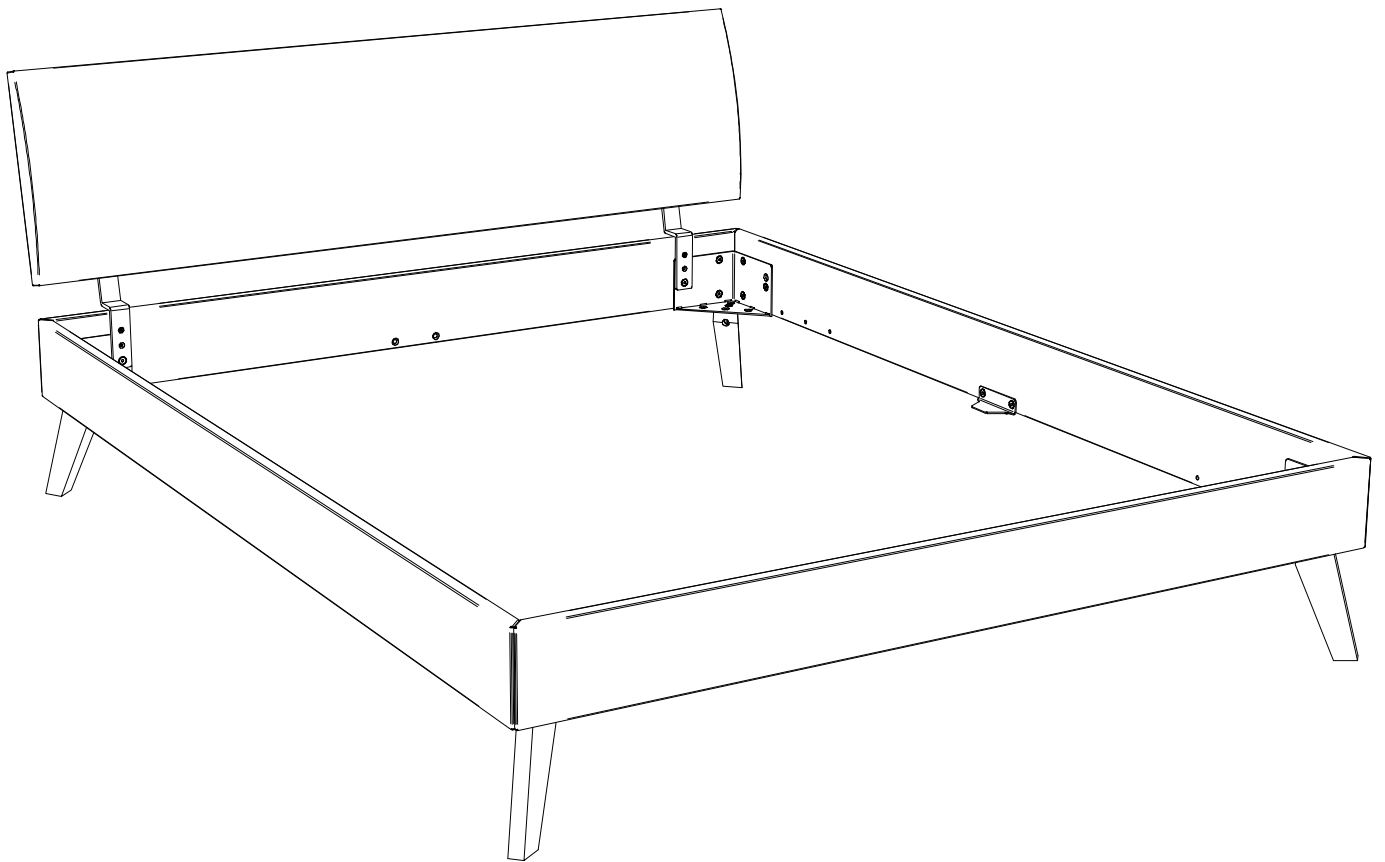
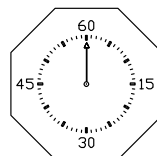
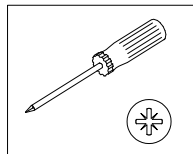


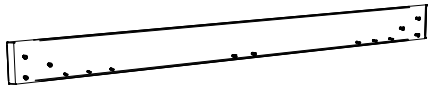
Pesaro & Caprile



Benötigte Werkzeuge – Outils Nécessaires – Tools Required – Attrezzi Necessari



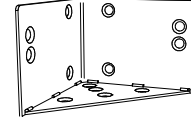
A x2



B x2

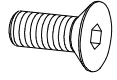


C x4



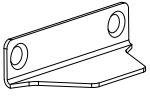
630.10142

D x26
M8x20



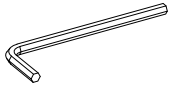
631.87200

E x2

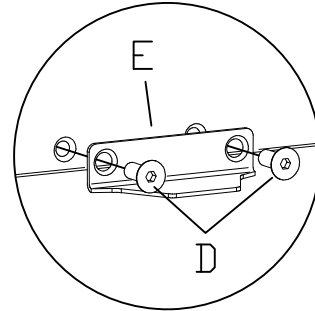


630.09942

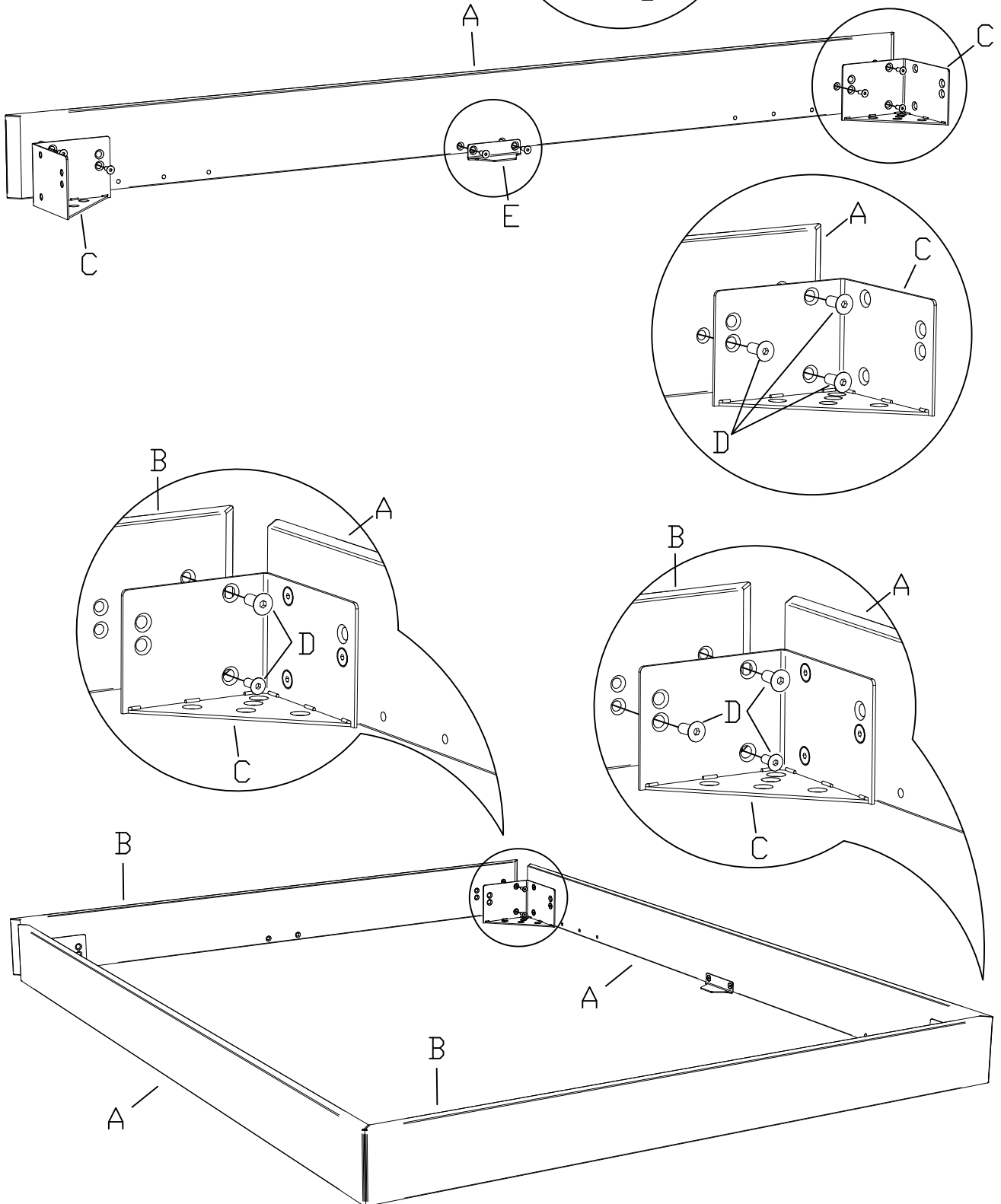
Z x1




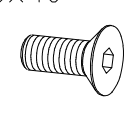
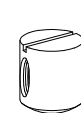
631.10000

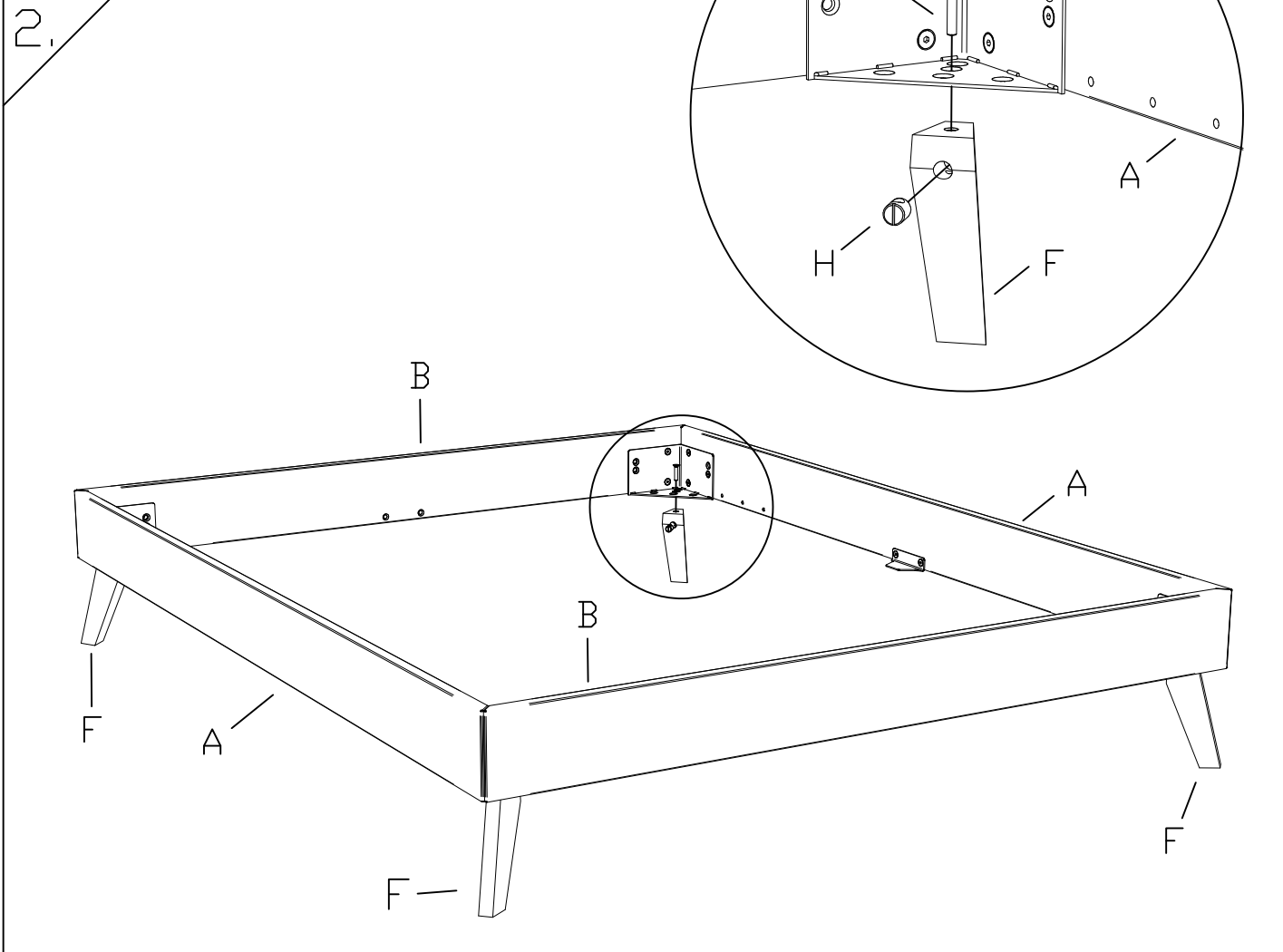
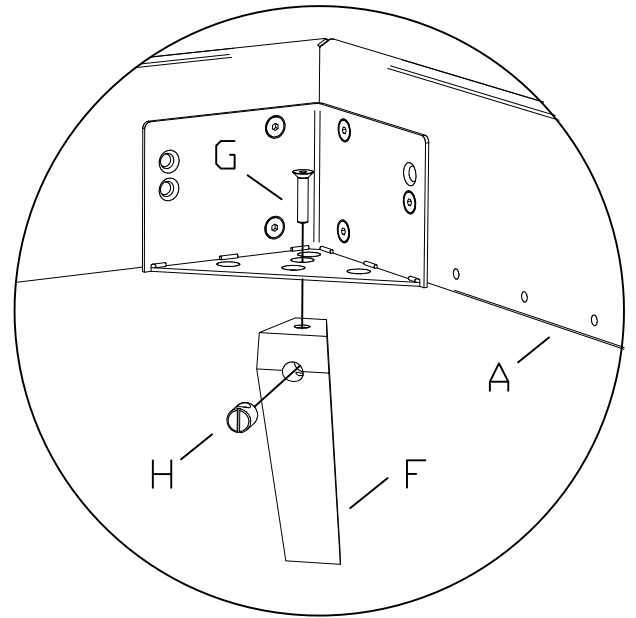


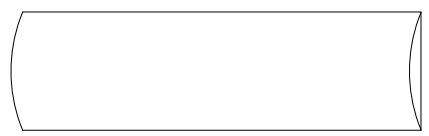
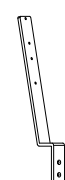

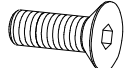
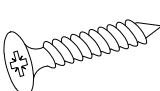
1.

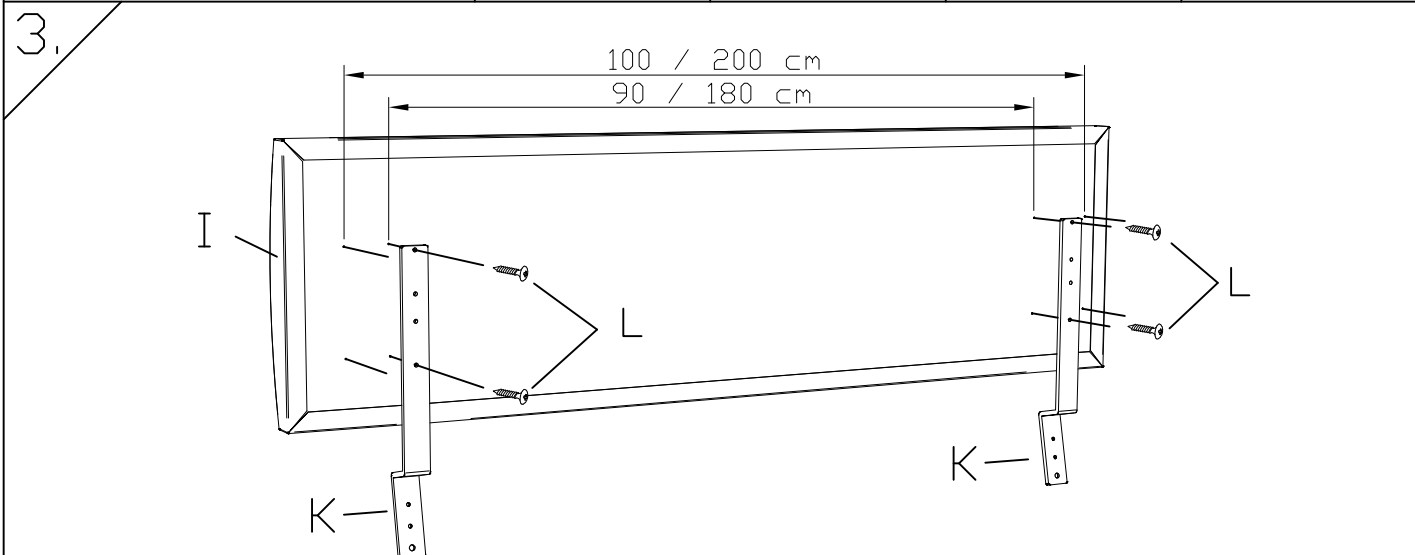


660.01130

<p>F x4</p> 	<p>G x4 M8x40</p>  <p>631.877</p>	<p>H x4</p>  <p>631.611</p>
---	--	--

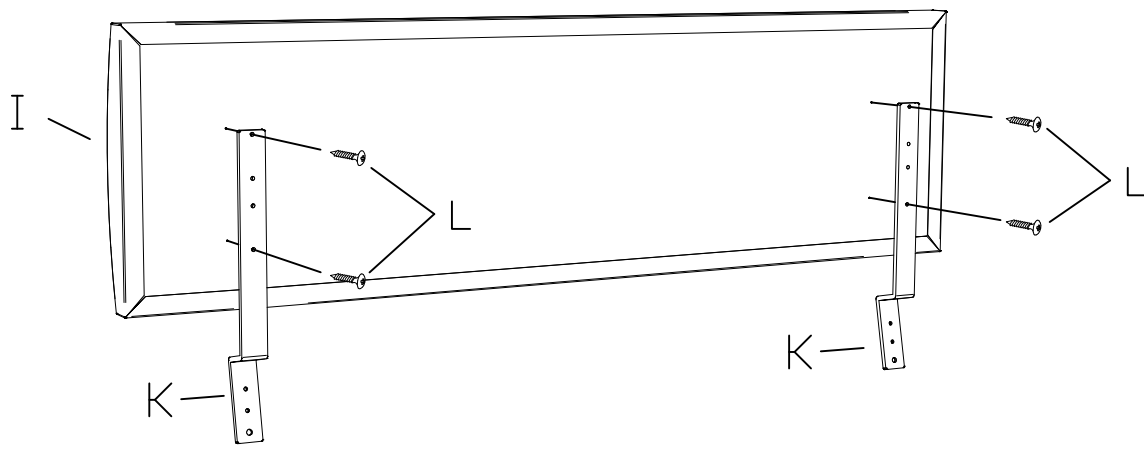


<p>I x1</p> 	<p>K x2</p>  <p>790.010</p>	<p>L x4 PH 5x25</p>  <p>631.16500</p>	<p>M x2 M8x25</p>  <p>631.10600</p>	<p>N x2 SK 5x25</p>  <p>631.32100</p>
---	--	--	--	--



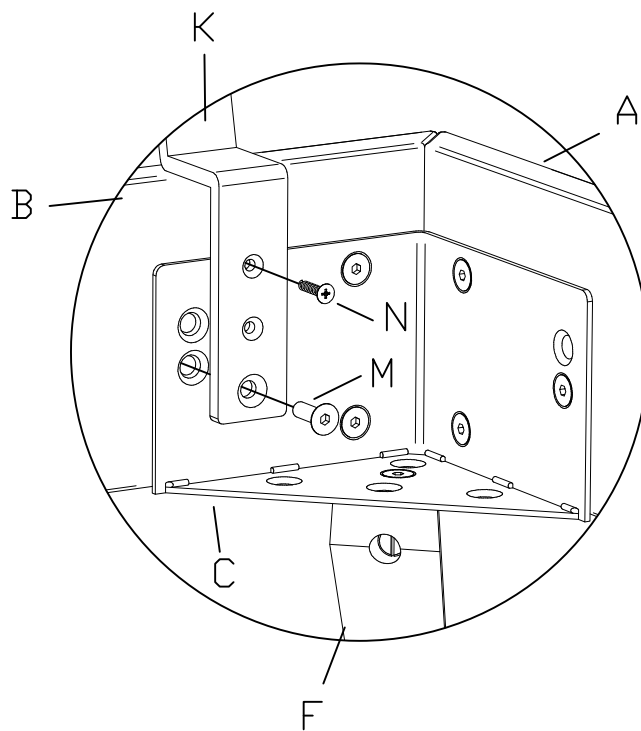
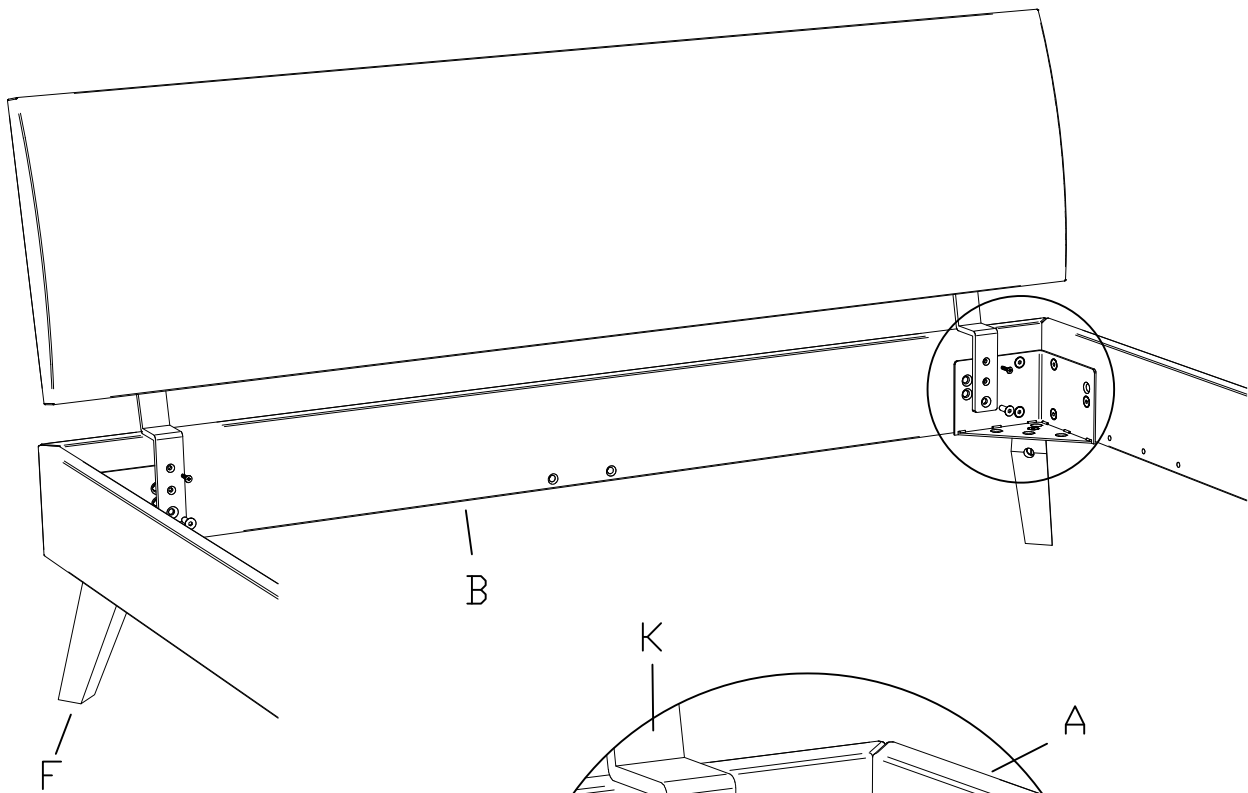
Variante A: 90/100cm - 180/200cm

660.01130



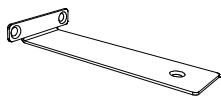
Variante B: 120/140/160cm

4.



bei Breiten ab 160cm
for widths from 160cm
à partir des dimensions 160cm
della misura 160cm

□ x2

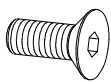


790.023

P x2



D x6
M8x20



631.87200

