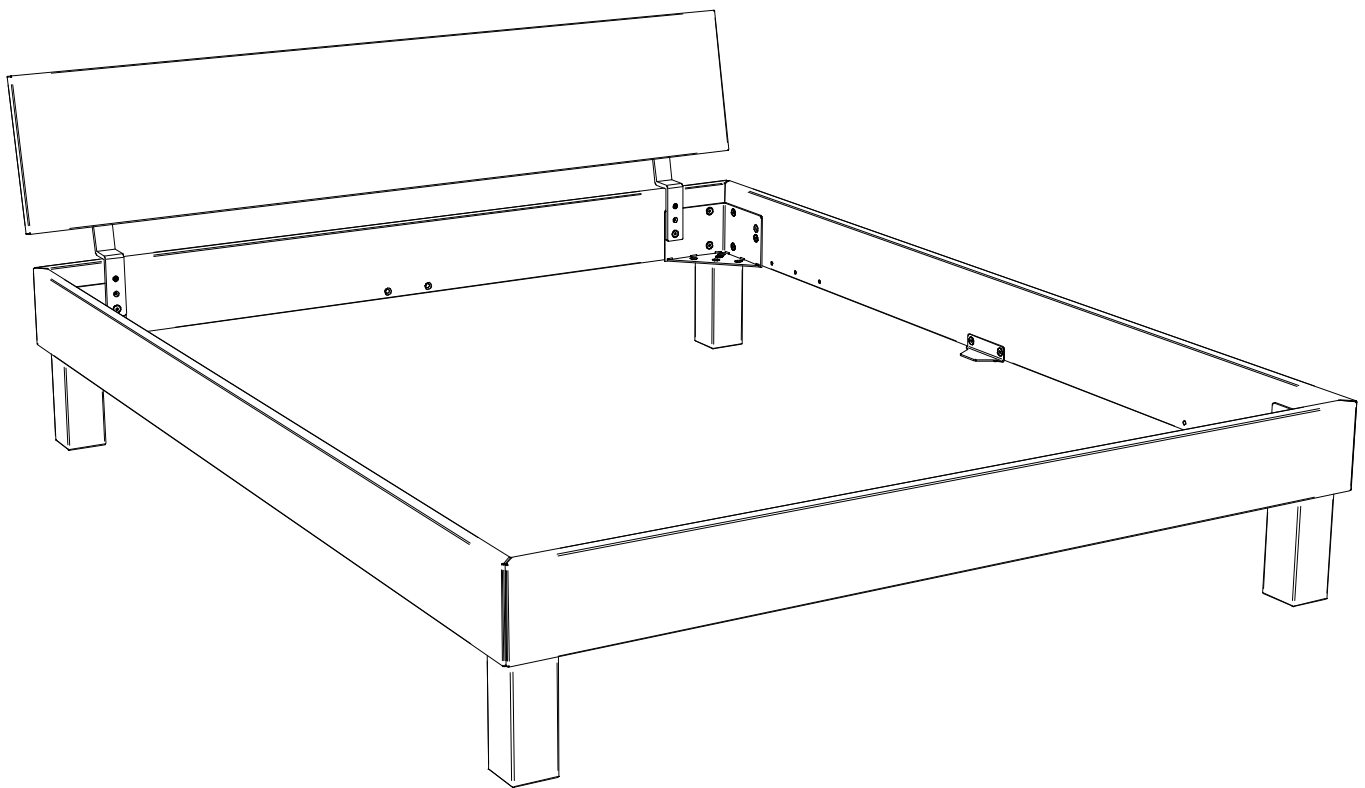
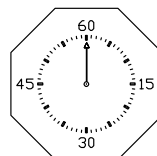
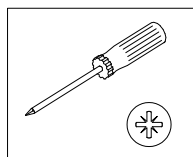


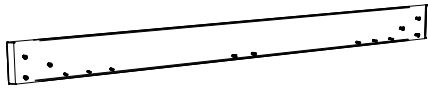
Forti



Benötigte Werkzeuge – Outils Nécessaires – Tools Required – Attrezzi Necessari



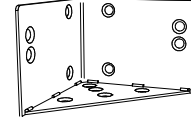
A x2



B x2

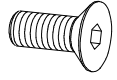


C x4



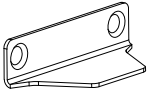
630.10142

D x26
M8x20



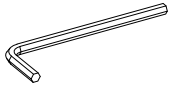
631.87200

E x2

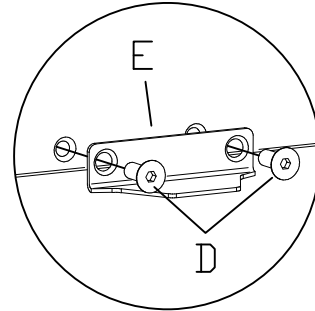


630.09942

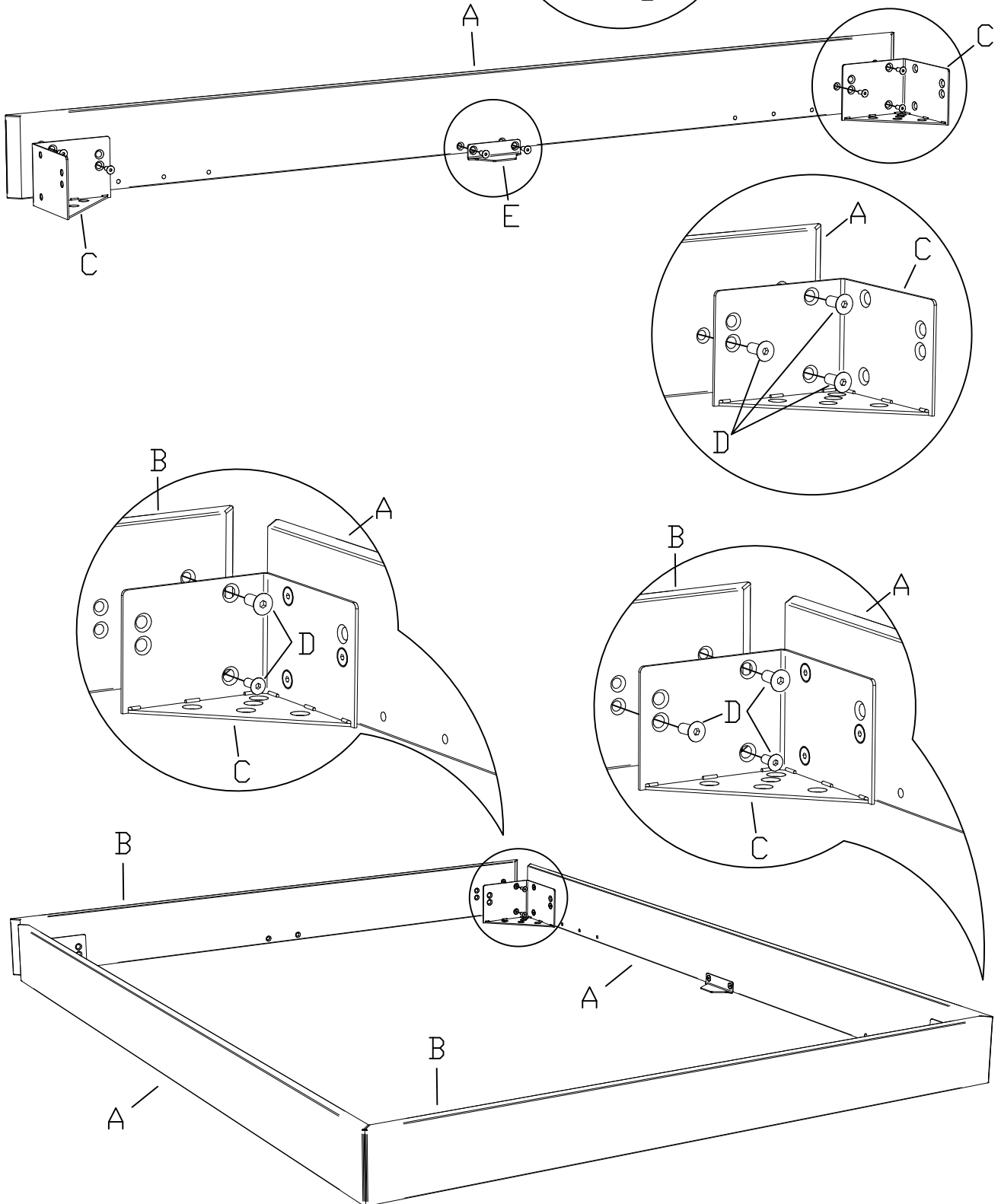
Z x1




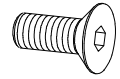
631.10000



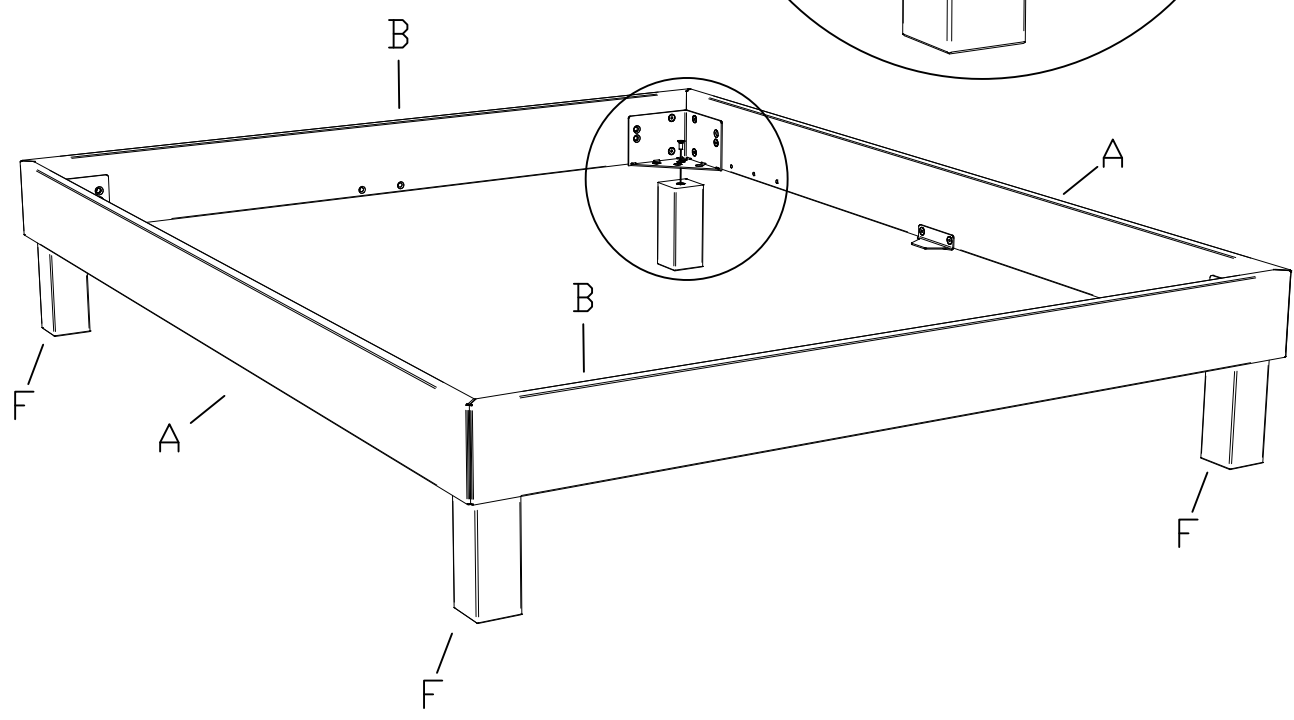
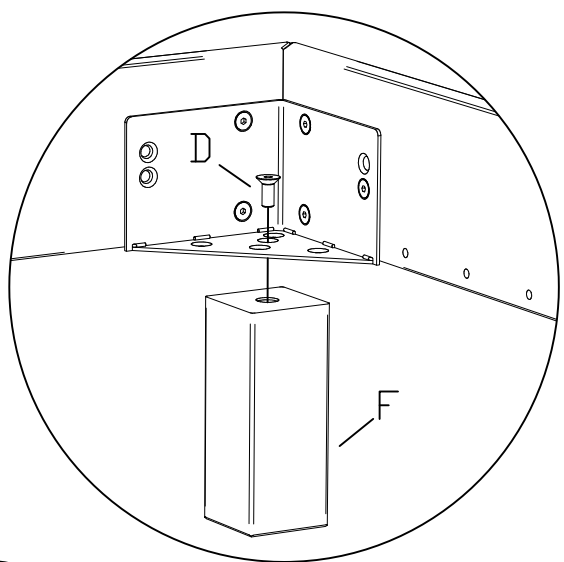
1.


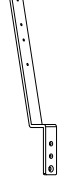

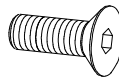
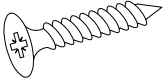


660.01132

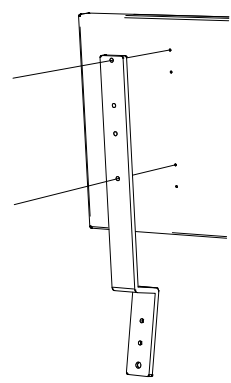
F ×4 	D ×4 M8×20  631.87200
---	---

2.

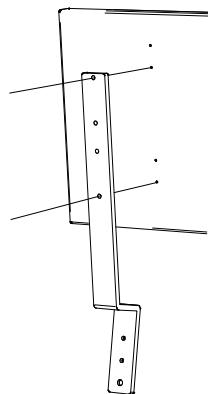


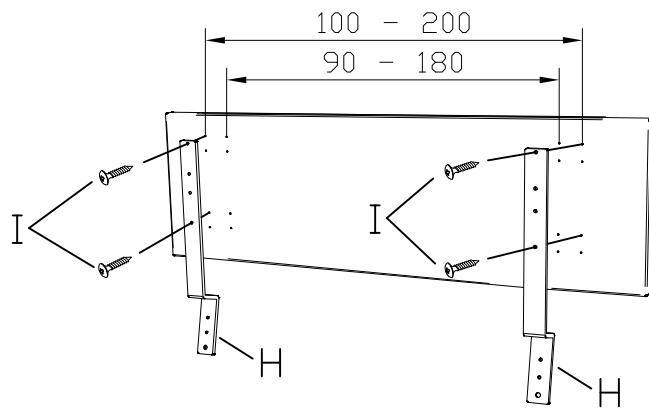
G ×1 	H ×2  790.010	I ×4 PH 5×25  631.16500	K ×2 M8×25  631.10600	L ×2 SK 5×25  631.32100
---	--	---	---	---

3.

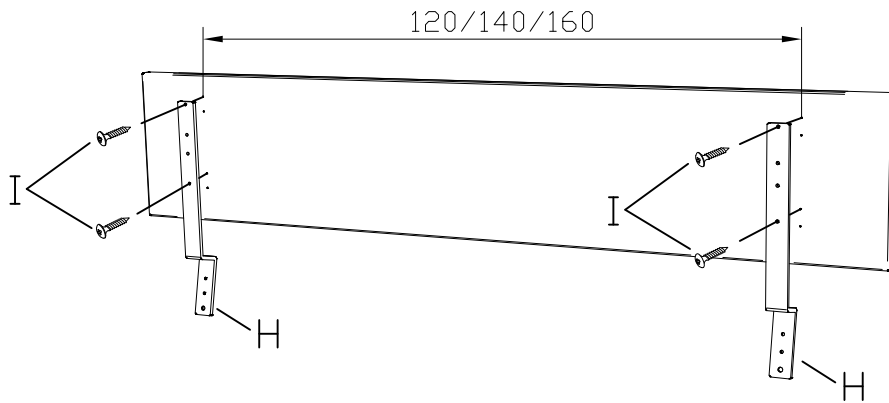


Variante 1 ? Variante 2
oder / or / ou

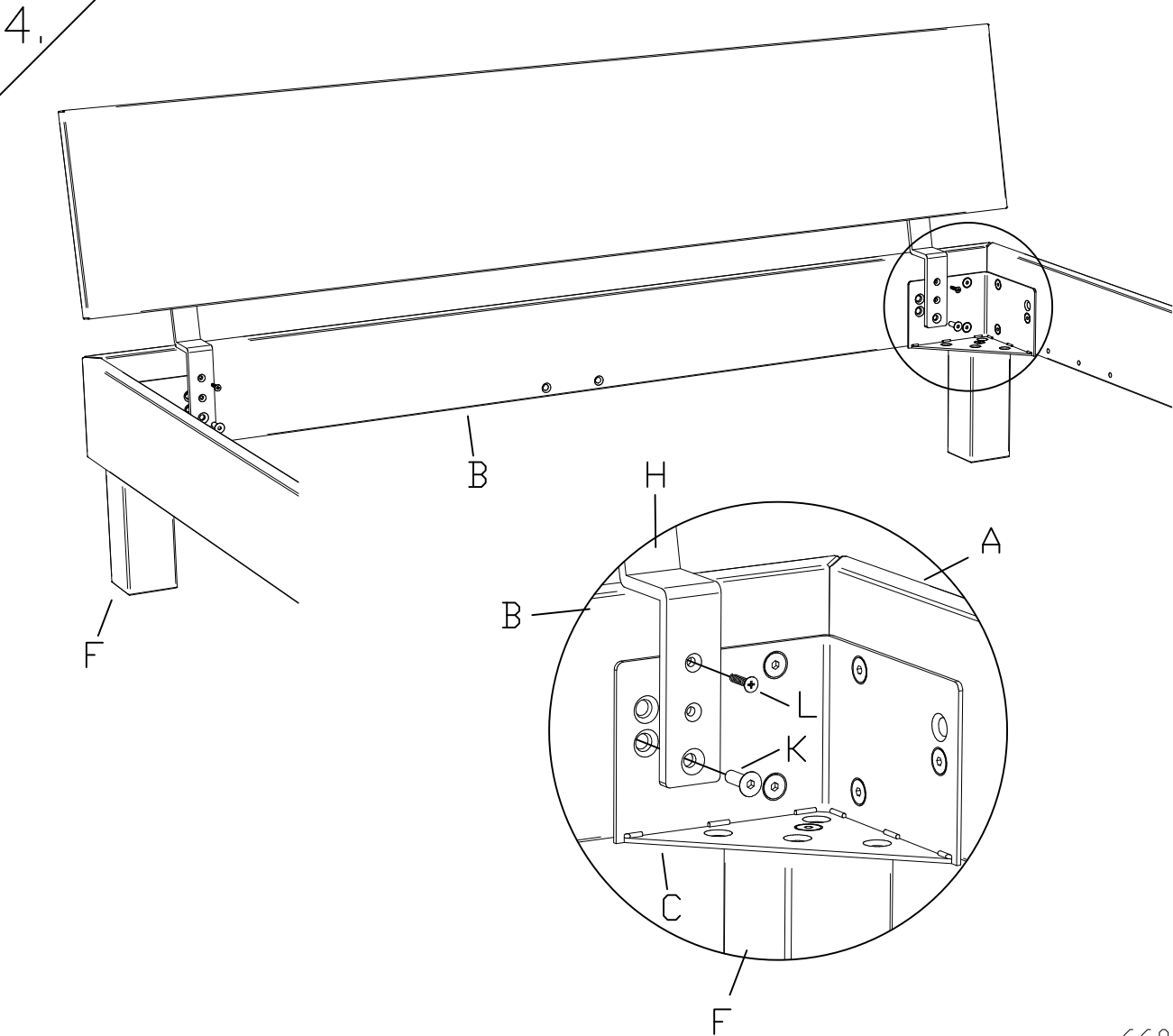




Variante A: 90/100cm - 180/200cm

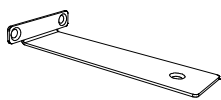


Variante B: 120/140/160cm



bei Breiten ab 160cm
for widths from 160cm
à partir des dimensions 160cm
della misura 160cm

M x2

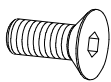


790.023

N x2



D x6
M8x20



631.87200

