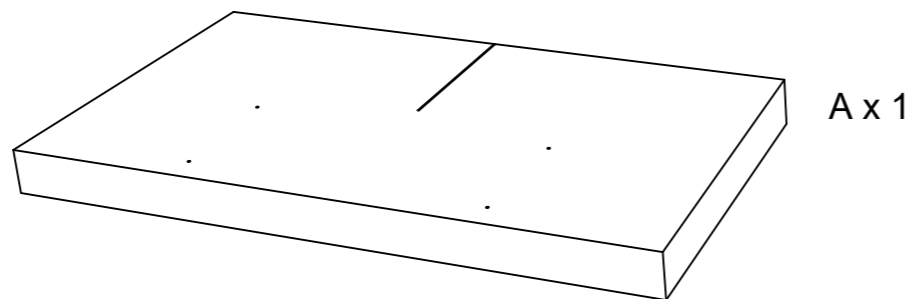
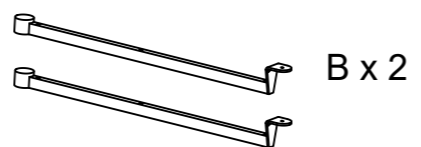




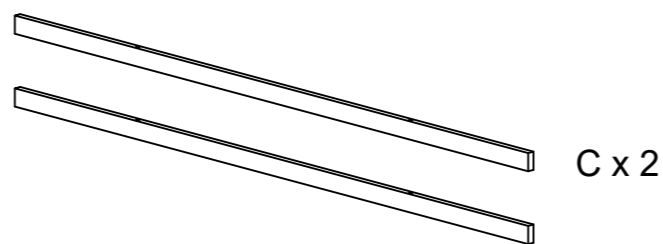
- ① x 4
- ② x 6
- ③ x 10
- ④ x 2
- ⑤ x 1
- ⑥ x 1



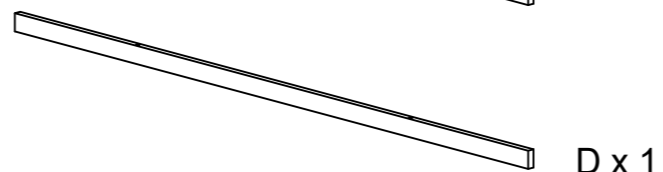
A x 1



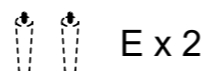
B x 2



C x 2



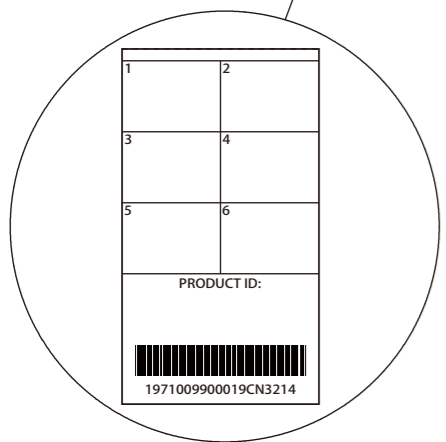
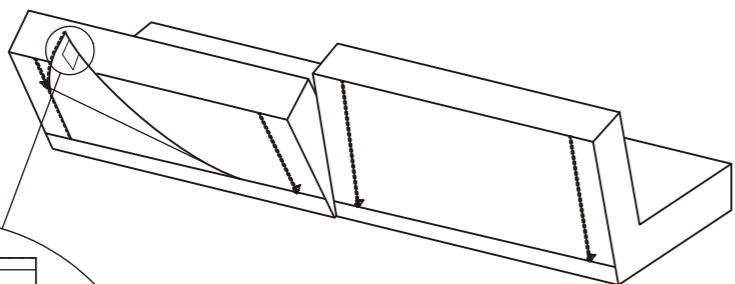
D x 1



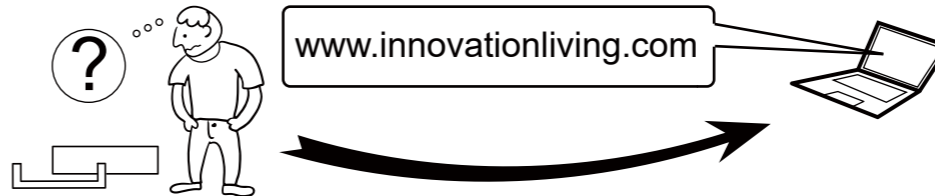
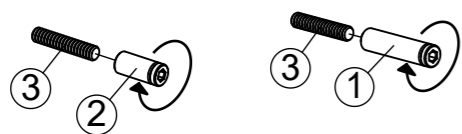
E x 2



F x 2



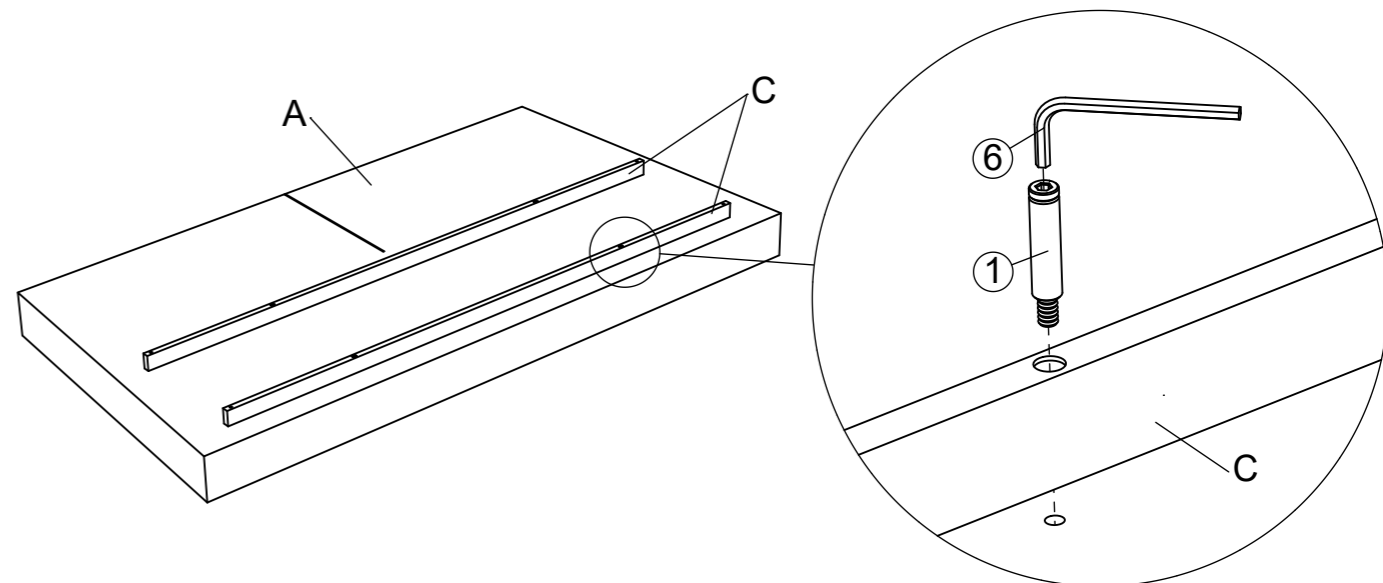
1



069508-01

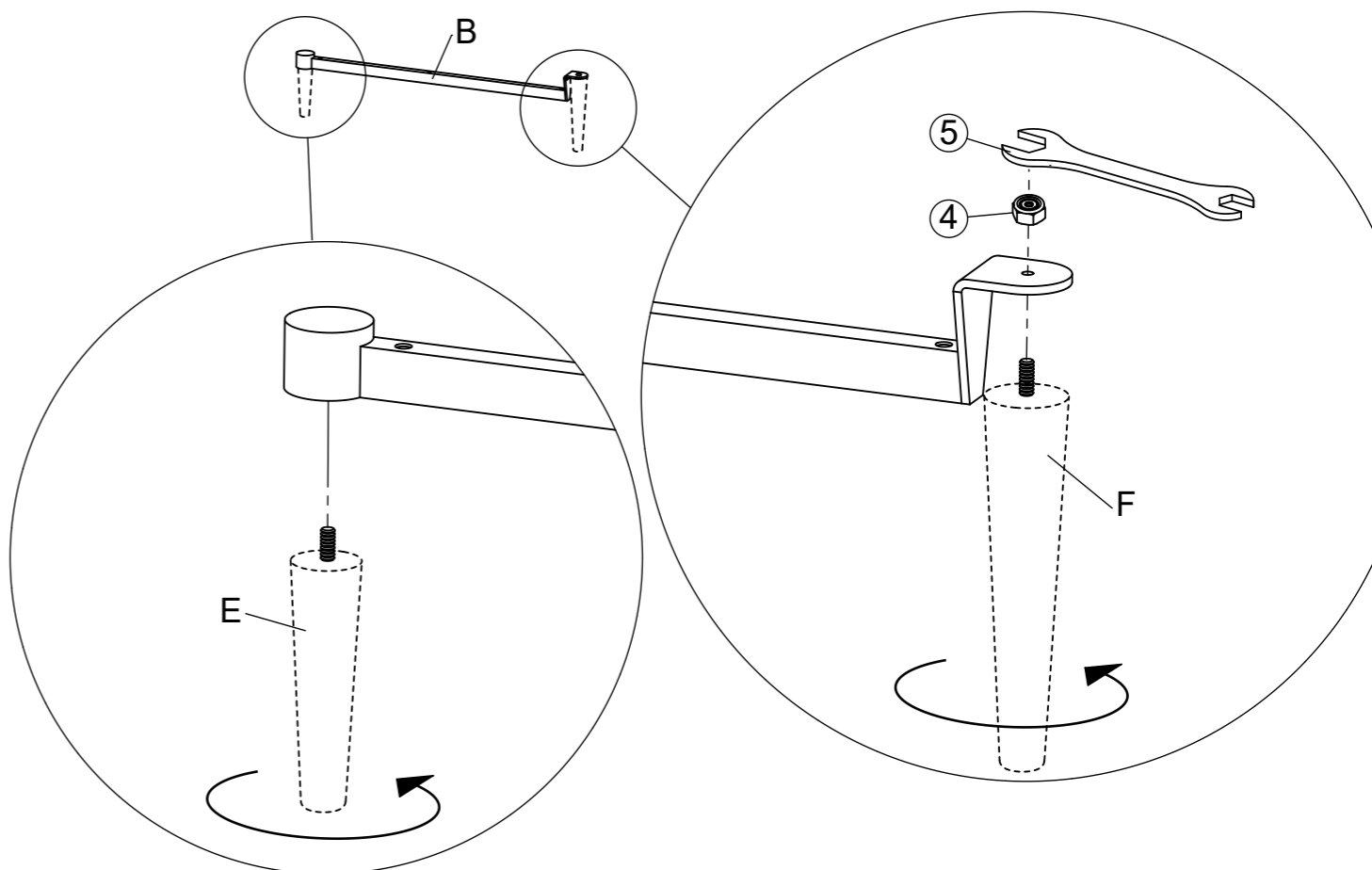
2

- ③ x 4
- ① x 4

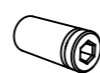


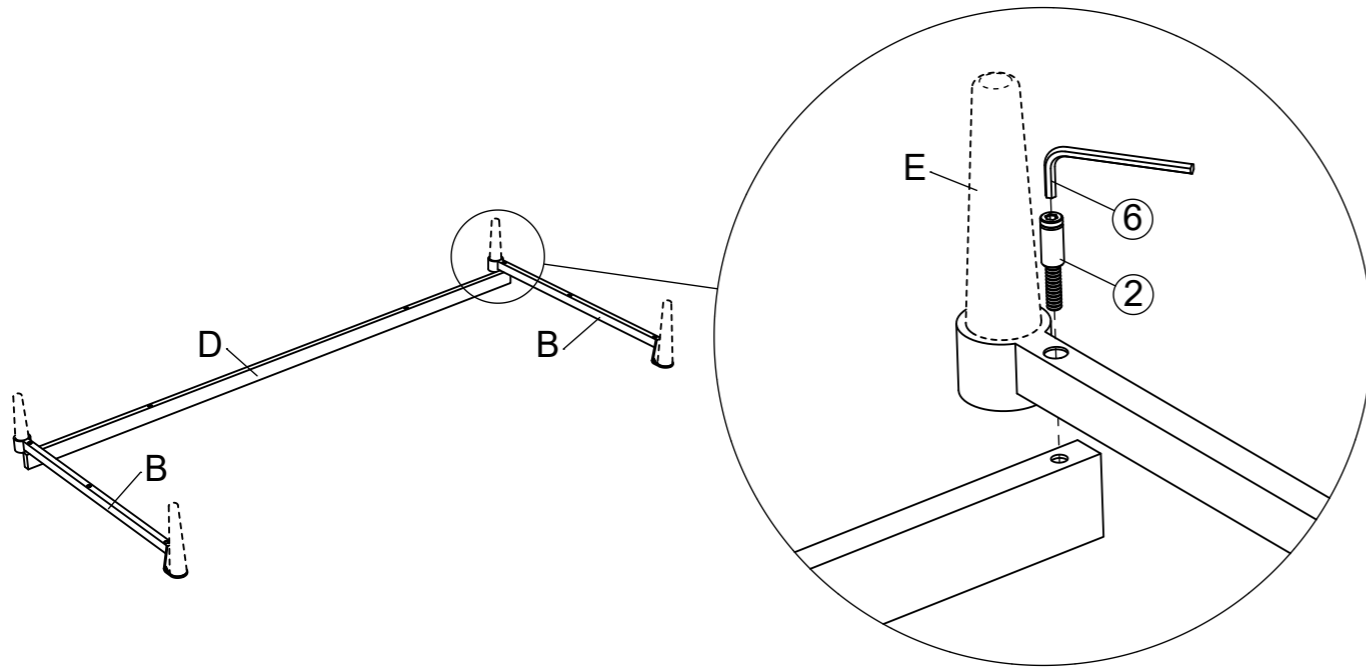
3

- ④ x 2

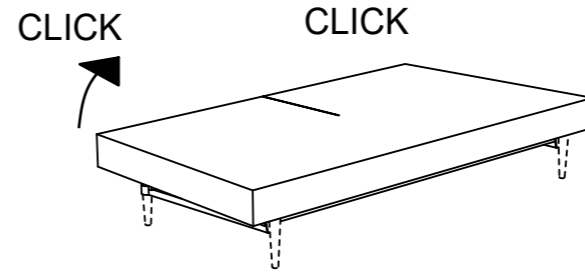


4

③ x 2  ② x 2 



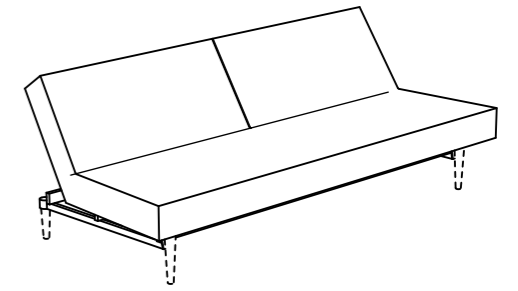
1



SOVE - SCHLAFEN - SLEEP - DORMIR

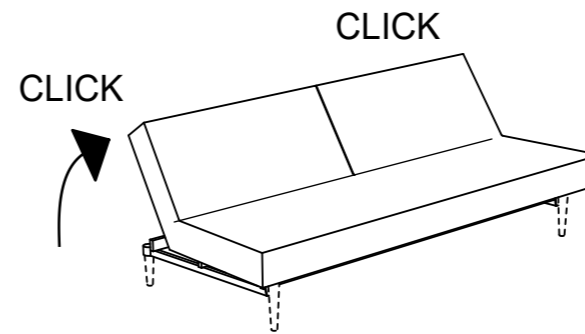
2

069508-01



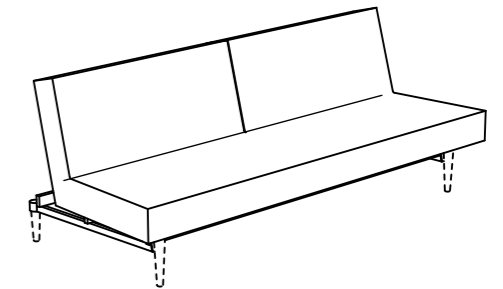
HVILE - RUHE - RELAX - REPOSER

3



HVILE - RUHE - RELAX - REPOSER

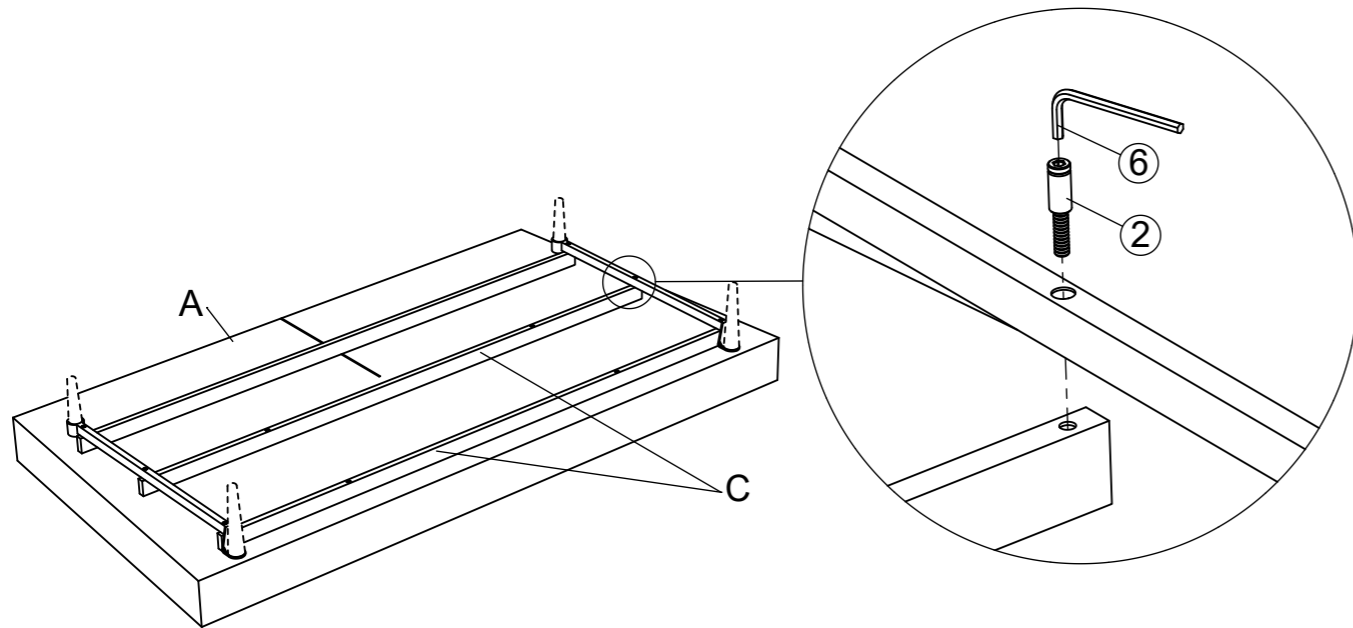
4



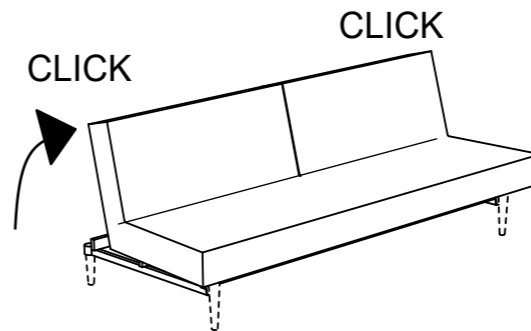
SIDDE - SITZEN - SIT - ASSISE

5

③ x 4  ② x 4 

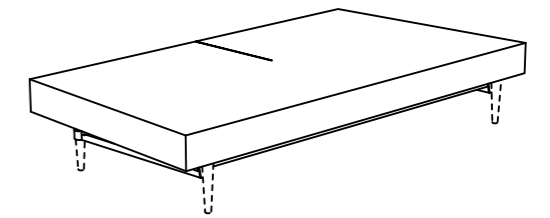


5

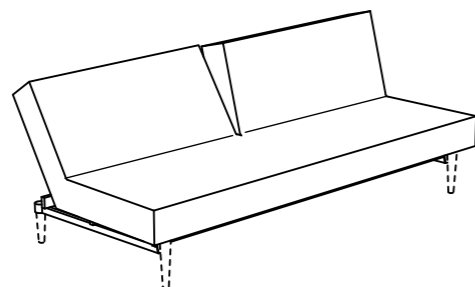


SIDDE - SITZEN - SIT - ASSISE

6



SOVE - SCHLAFEN - SLEEP - DORMIR



HVILE - RUHE - RELAX - REPOSER / SIDDE - SITZEN - SIT - ASSISE