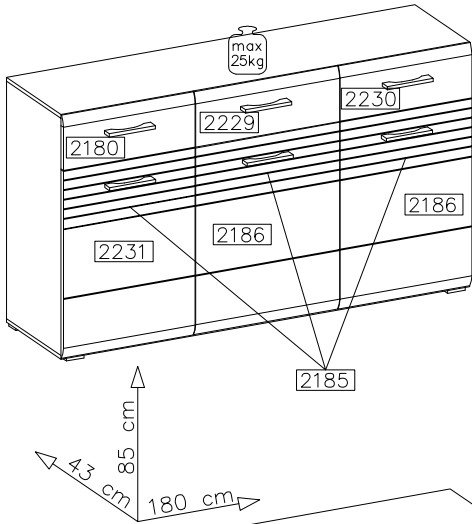
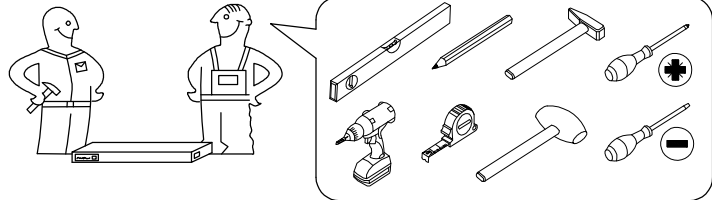
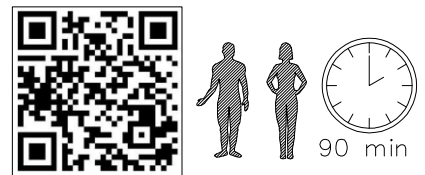
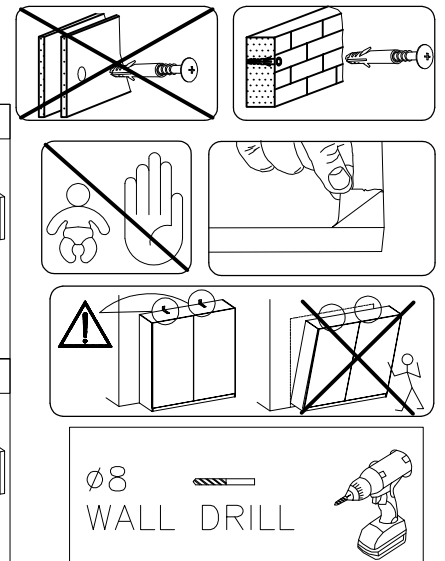
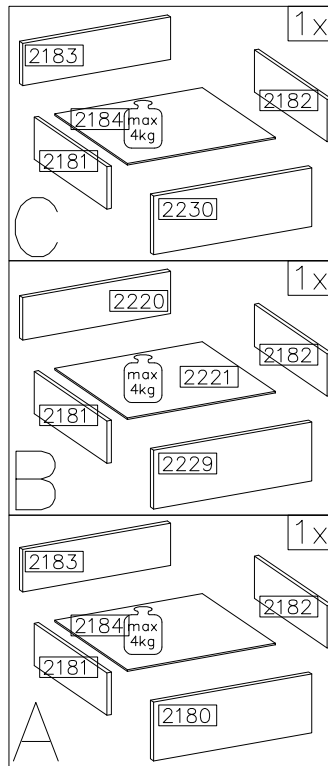
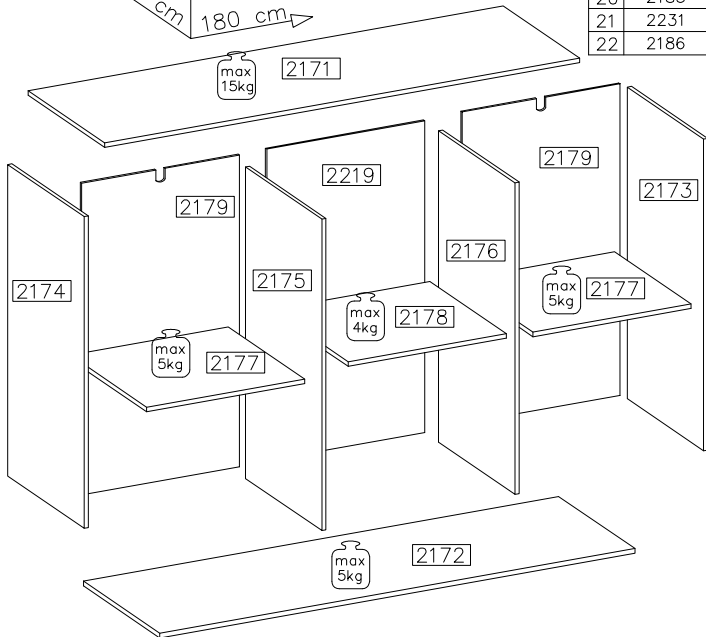
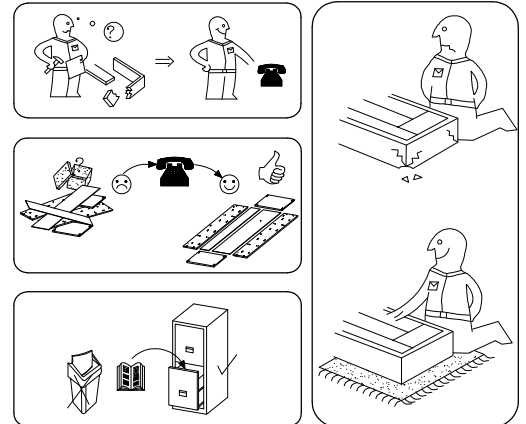


SALOU

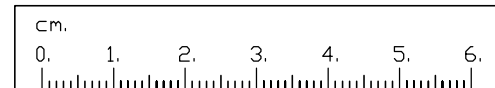
10 V4 WH 20



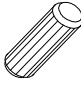

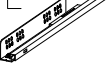



| # | ART. NR | L | W | T | Q | Col.No |
|----|---------|------|-----|-----|---|--------|
| 1 | 2171 | 1802 | 416 | 16 | 1 | 2 |
| 2 | 2172 | 1802 | 416 | 16 | 1 | 2 |
| 3 | 2173 | 800 | 416 | 16 | 1 | 2 |
| 4 | 2174 | 800 | 416 | 16 | 1 | 2 |
| 5 | 2175 | 800 | 396 | 16 | 1 | 1 |
| 6 | 2176 | 800 | 396 | 16 | 1 | 1 |
| 7 | 2177 | 575 | 384 | 16 | 2 | 1 |
| 8 | 2178 | 585 | 384 | 16 | 1 | 1 |
| 9 | 2179 | 590 | 815 | 2,5 | 2 | 1 |
| 10 | 2219 | 600 | 815 | 2,5 | 2 | 1 |
| 11 | 2180 | 596 | 156 | 16 | 1 | 1 |
| 12 | 2229 | 596 | 156 | 16 | 1 | 1 |
| 13 | 2230 | 596 | 156 | 16 | 1 | 1 |
| 14 | 2181 | 350 | 100 | 16 | 3 | 1 |
| 15 | 2182 | 350 | 100 | 16 | 3 | 1 |
| 16 | 2183 | 546 | 82 | 16 | 2 | 1 |
| 17 | 2220 | 536 | 82 | 16 | 1 | 1 |
| 18 | 2184 | 552 | 358 | 2,5 | 2 | 2 |
| 19 | 2221 | 562 | 358 | 2,5 | 1 | 2 |
| 20 | 2185 | 596 | 188 | 16 | 3 | 3 |
| 21 | 2231 | 596 | 480 | 16 | 1 | 3 |
| 22 | 2186 | 596 | 480 | 16 | 2 | 3 |

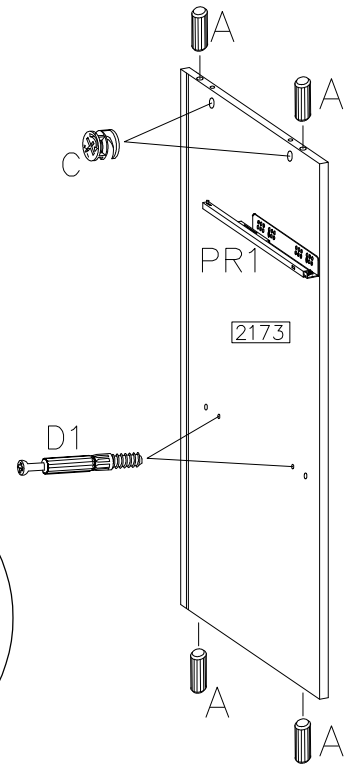
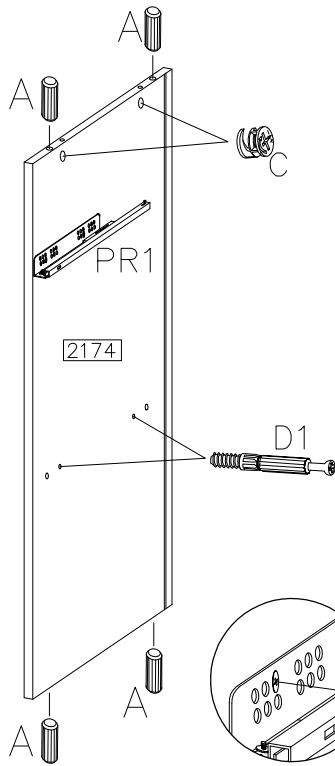
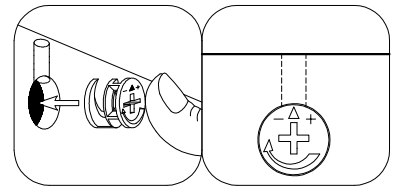


| | | | | | | | | |
|--------------------|---------------------|-----------------------|-----------------------|----------------------|-----------------------|----------------------|-----------------------|----------|
| Ø8x30mm A 30 | Ø8x40mm A1 12 | Ø6,4x50mm B 20 | Ø15/12mm C 31 | D1 31 | E 31 | E1 20 | Ø5.0x13mm P9 24 | F8 14 |
| L 10 | N 2 | O 1 | Ø3.0x16mm P1 42 | Ø3.5x16mm P4 4 | Ø4.0x30mm P3 24 | Ø3.0x20mm P7 6 | L-350 3SET | R PR1 |
| J4 4 | S1 6 | Ø4.0x27mm R2 12 | Ø6.0x50mm Z 2 | F4 6 | Ø35/KR-0 G6 4 | Ø35/KR-8 G8 2 | | |

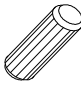


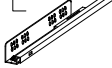
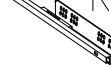




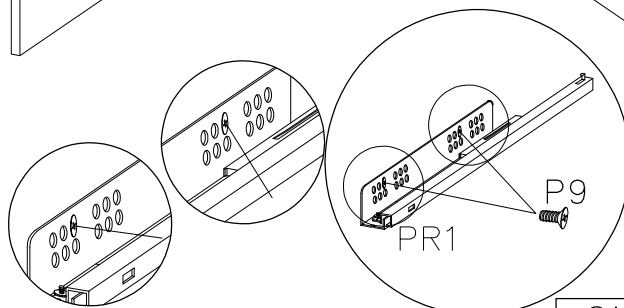
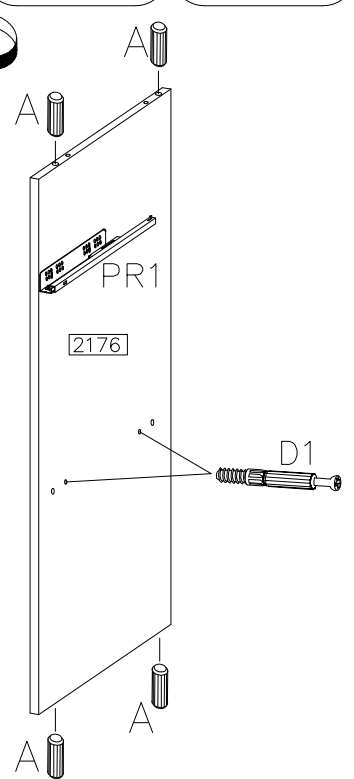
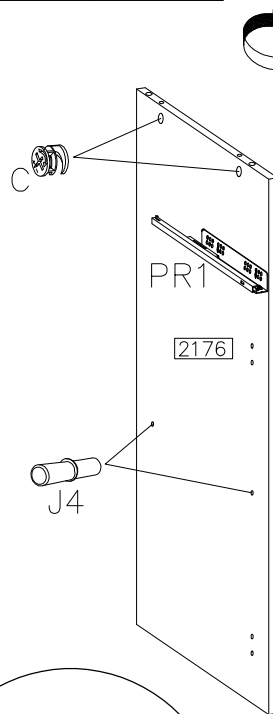
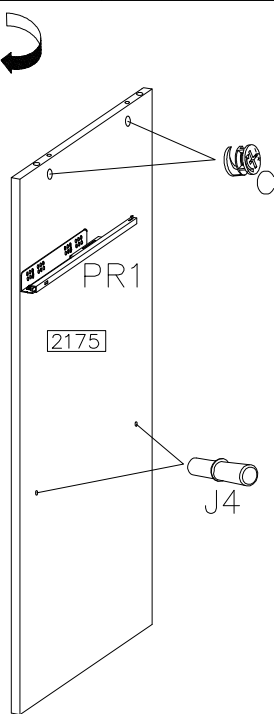
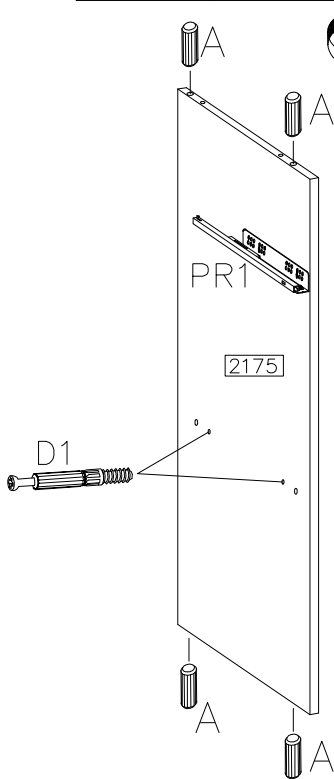
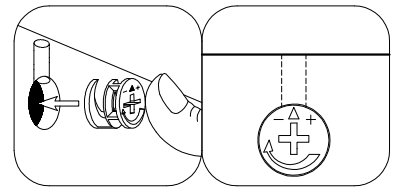
1

| | | | | | |
|--|--|--|--|---|--|
| $\varnothing 8 \times 30 \text{mm}$ | $\varnothing 15 / 12 \text{mm}$ | L | R | $\varnothing 5.0 \times 13 \text{mm}$ | |
|  |  |  |  |  |  |
| A | C | L-350 | PR1 | P9 | D1 |
| 8 | 4 | 1SET | | 4 | 4 |

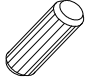



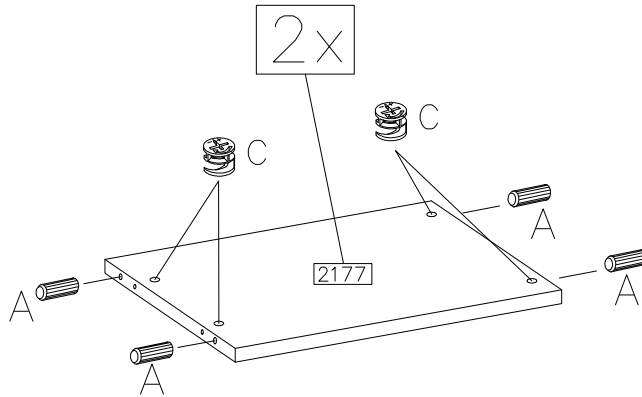
2

| | | | | | | |
|---|---|---|---|---|---|--|
| $\varnothing 8 \times 30 \text{mm}$ | $\varnothing 15 / 12 \text{mm}$ | | L | R | $\varnothing 5.0 \times 13 \text{mm}$ | |
|  |  |  |  |  |  |  |
| A | C | J4 | L-350 | PR1 | P9 | D1 |
| 8 | 4 | 4 | 2SET | | 8 | 4 |

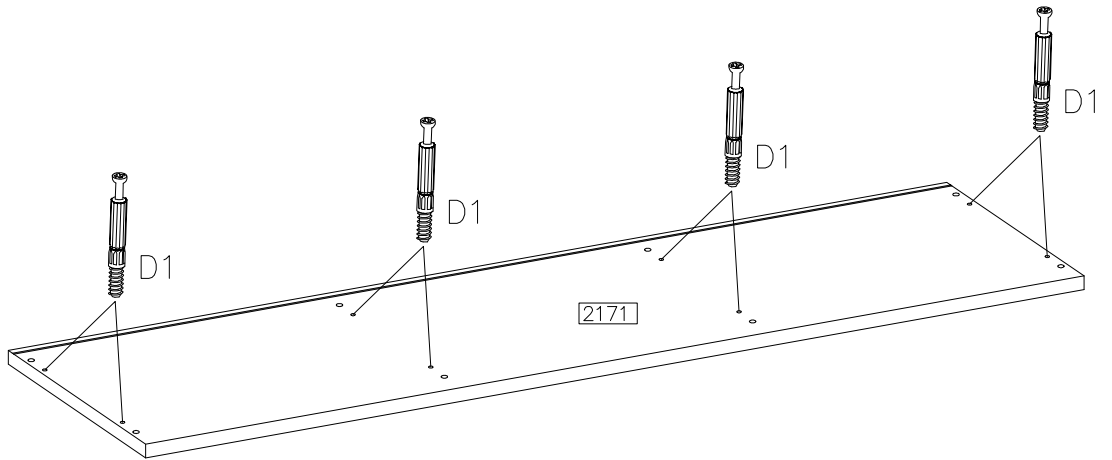
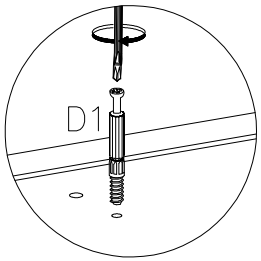
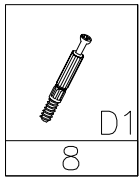


3

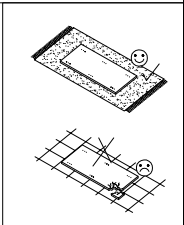
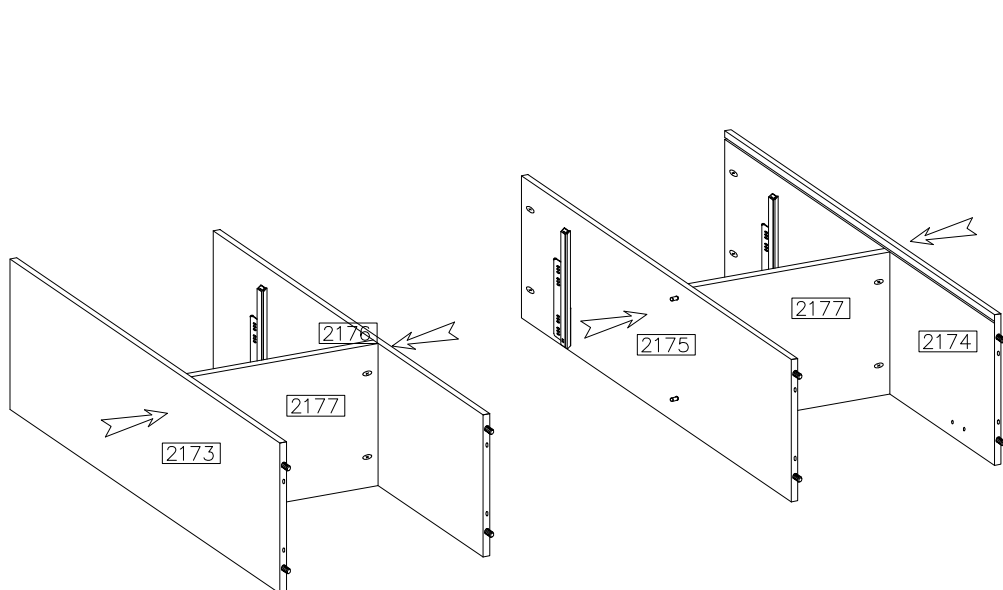
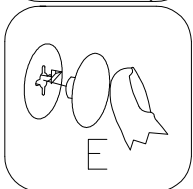
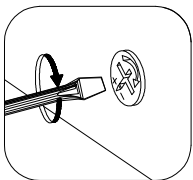
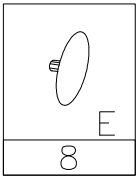
| | |
|--|--|
| ∅8x30mm | ∅15/12mm |
|  |  |
| A | C |
| 8 | 8 |



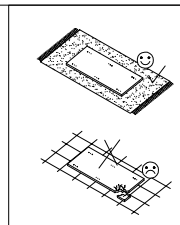
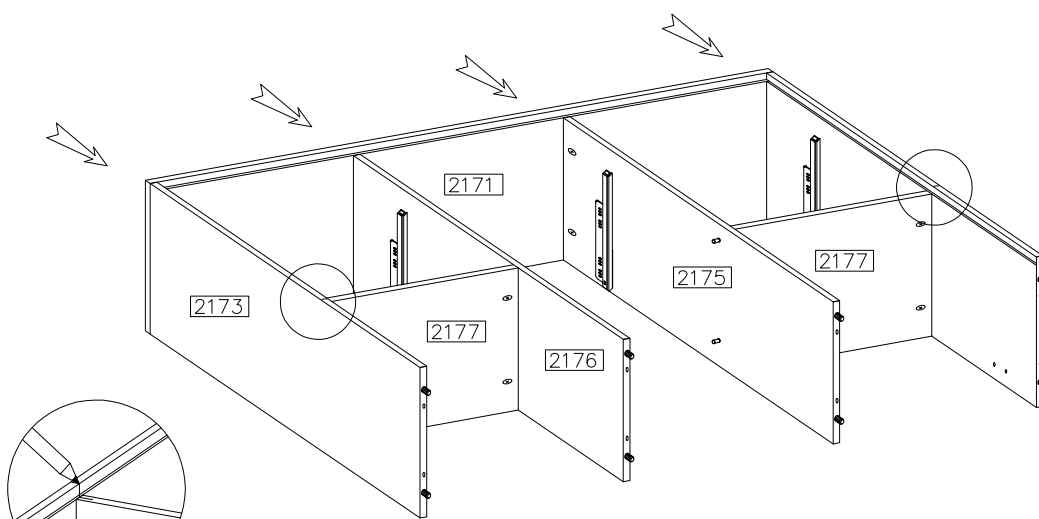
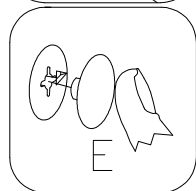
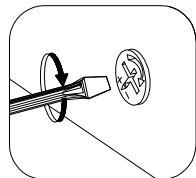
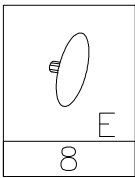
4



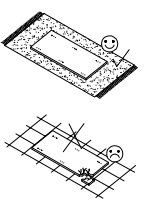
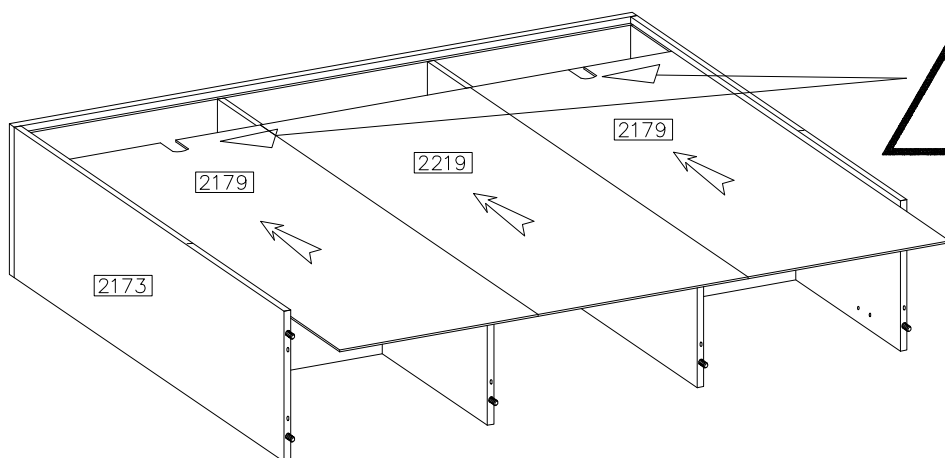
5



6



7



8

ø6,4x50mm



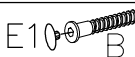
B

8

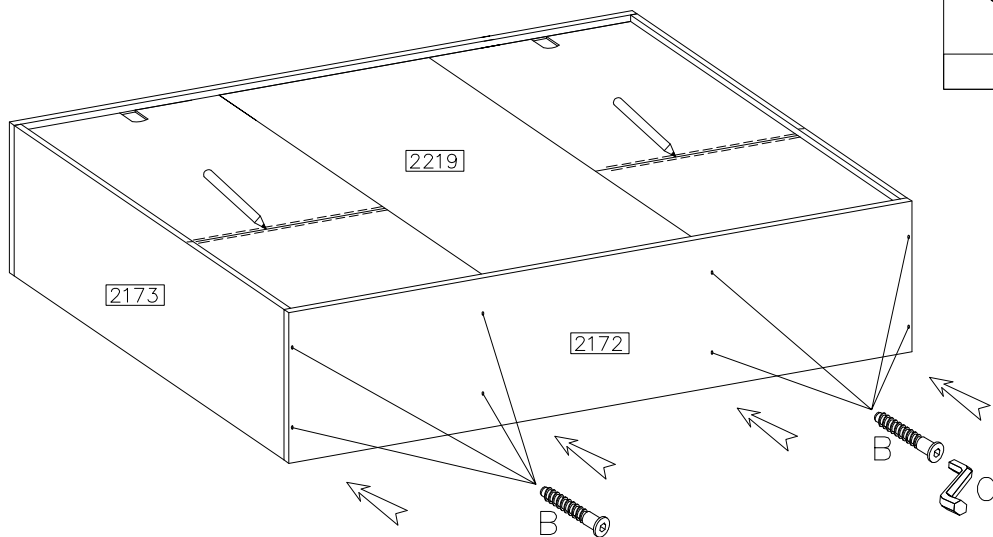
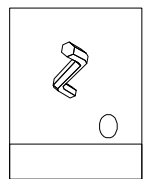
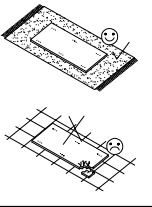


E1

8



B

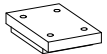


9



10

∅3.0x16mm



F4



P1

6

24

∅4.0x30mm



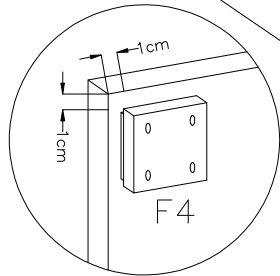
P3

24



F8

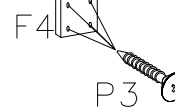
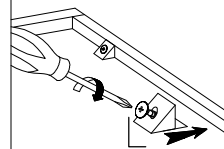
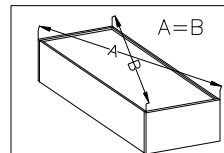
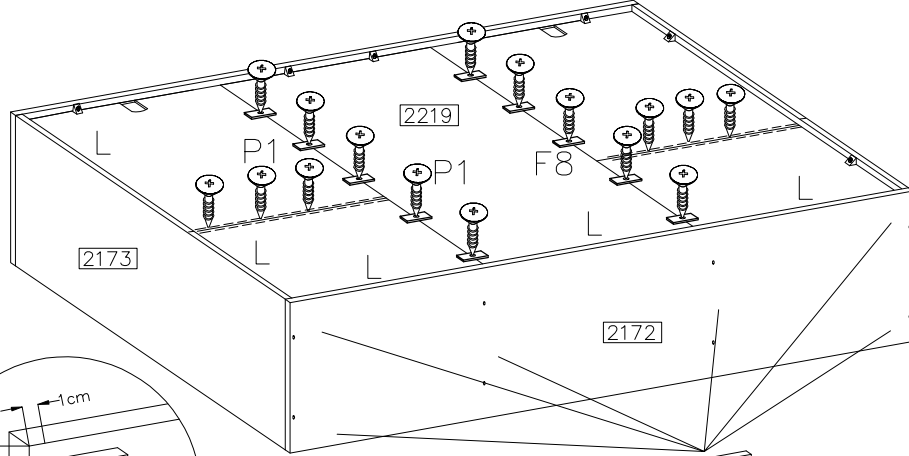
14



1cm

1cm

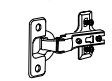
F4



10

A

∅35/KR-0



G6

4

5.0x13mm



P9

8

∅15/12mm



C

6



D1

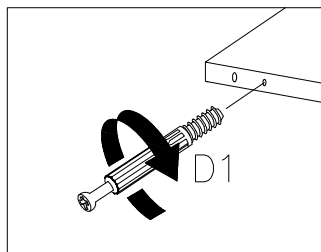
6

∅8x40mm

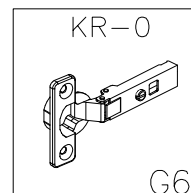
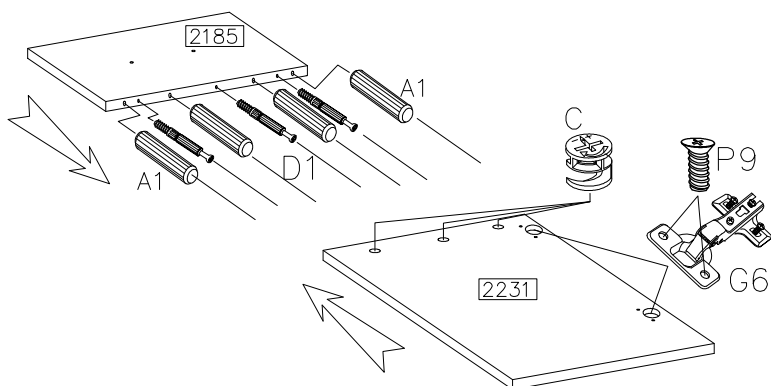
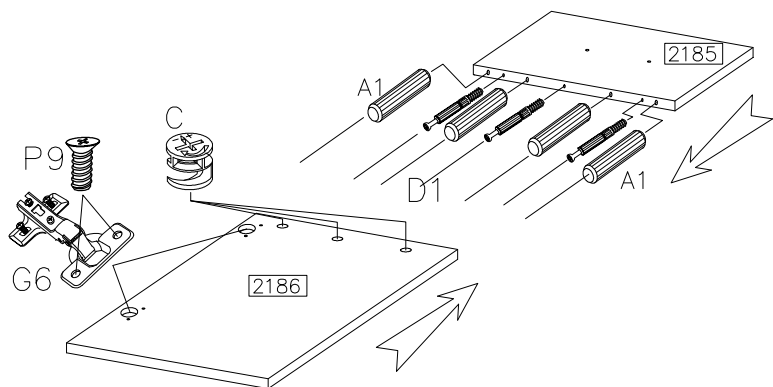
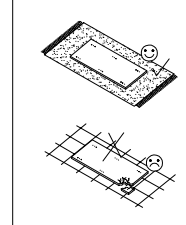


A1

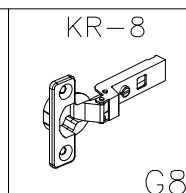
8



D1

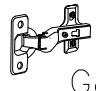



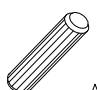


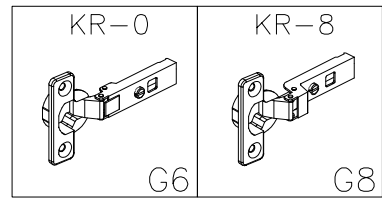
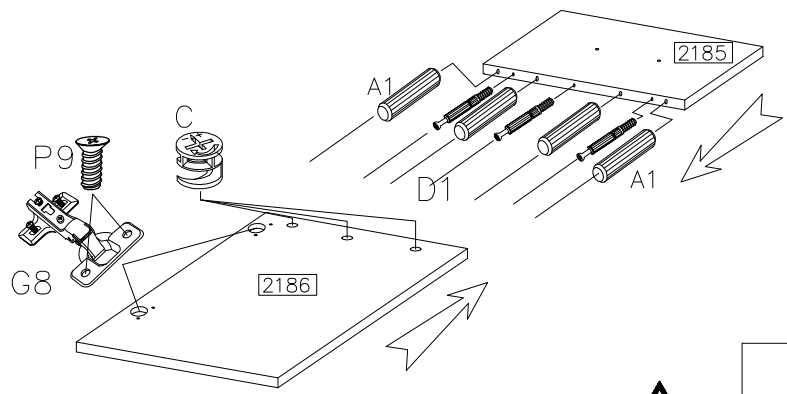
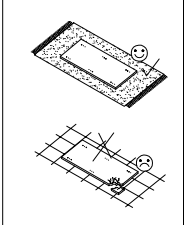
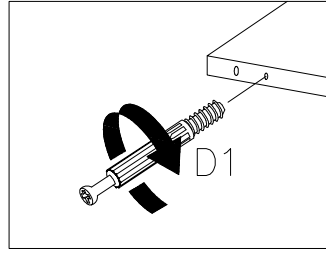
G6



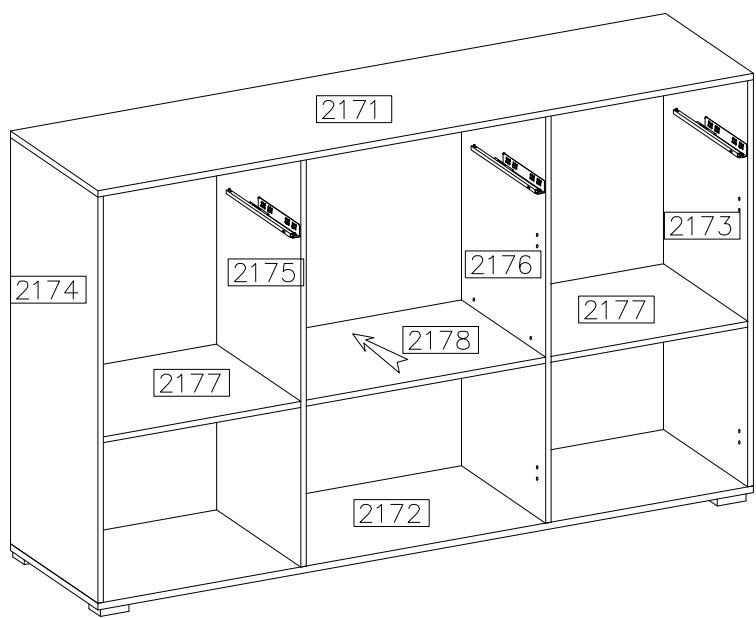
G8

10 B

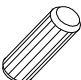


| | | |
|--|---|---|
| |  G8 |  P9 |
| | 2 | 4 |
|  C |  D1 |  A1 |
| 3 | 3 | 4 |

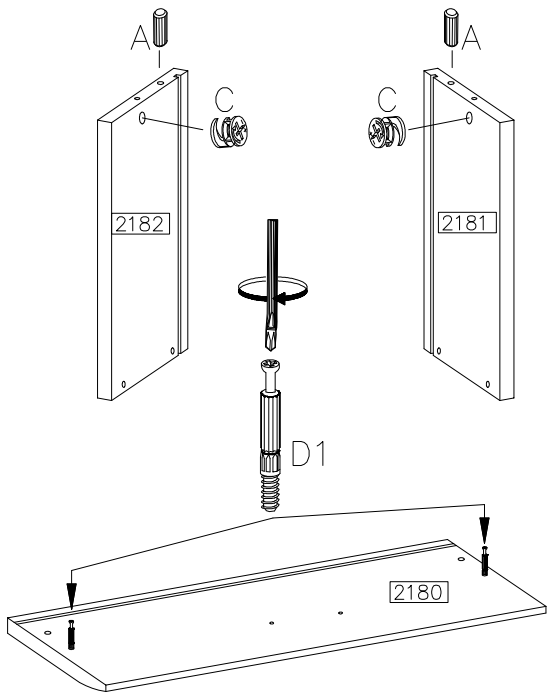


11






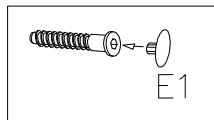
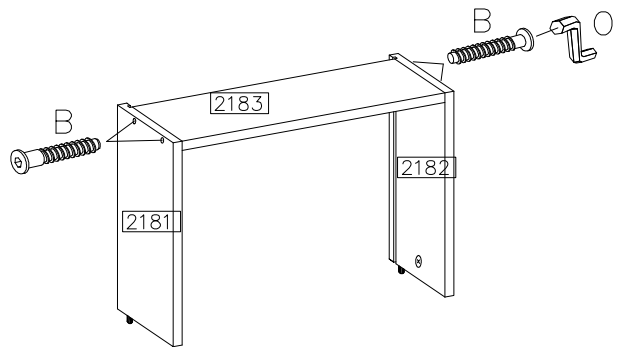
12 A

| |
|--|
|  ø8x30mm A 2 |
|  ø15/12mm C 2 |
|  D1 2 |




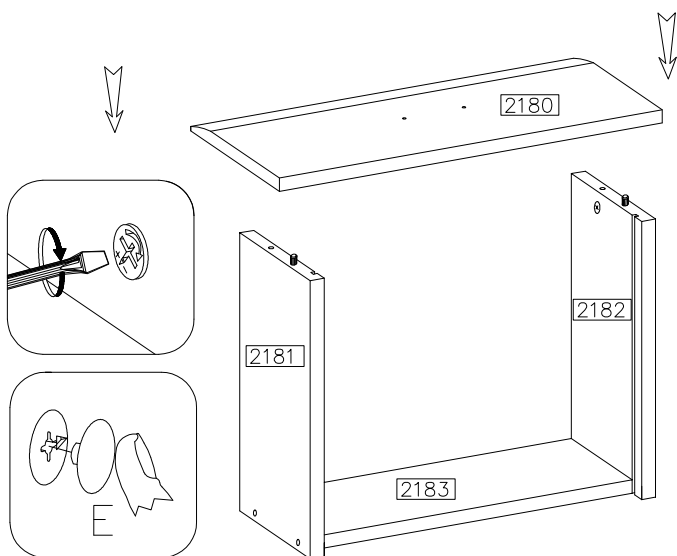
13 A

| | | |
|---|---|---|
|  ø6,4x50mm B 4 |  E1 4 |  4mm O 1 |
|---|---|---|






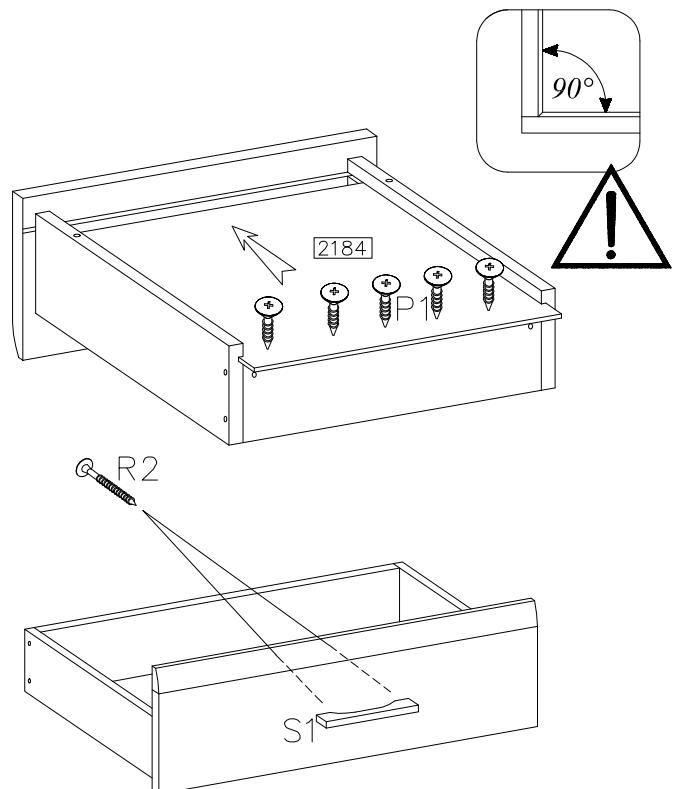
14 A

| |
|---|
|  E 2 |
|---|






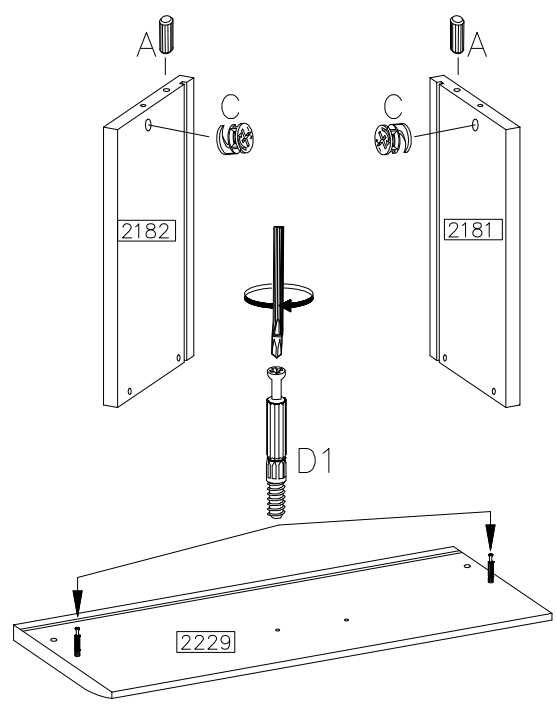
15 A

| | | |
|---|---|--|
|  ø3.0x16mm P1 6 |  ø4.0x27mm R2 2 |  S1 1 |
|---|---|--|






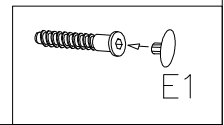
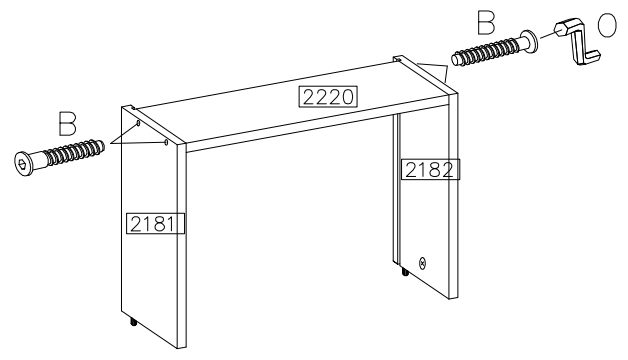
12 B

| |
|--|
|  A |
| 2 |
|  C |
| 2 |
|  D1 |
| 2 |




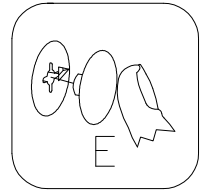
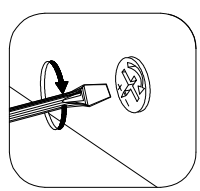
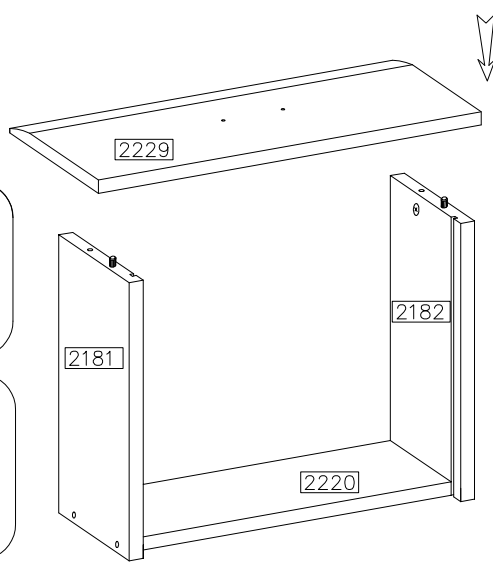
13 B

| | | |
|---|---|---|
|  B |  E1 |  O |
| 4 | 4 | 1 |






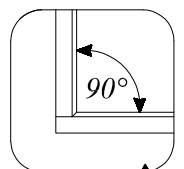
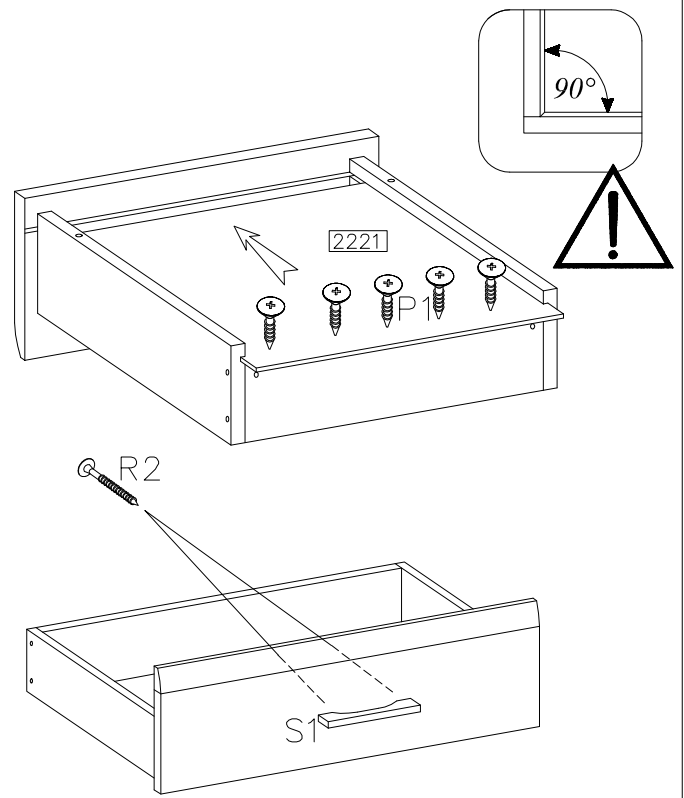
14 B

| |
|--|
|  E |
| 2 |

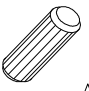




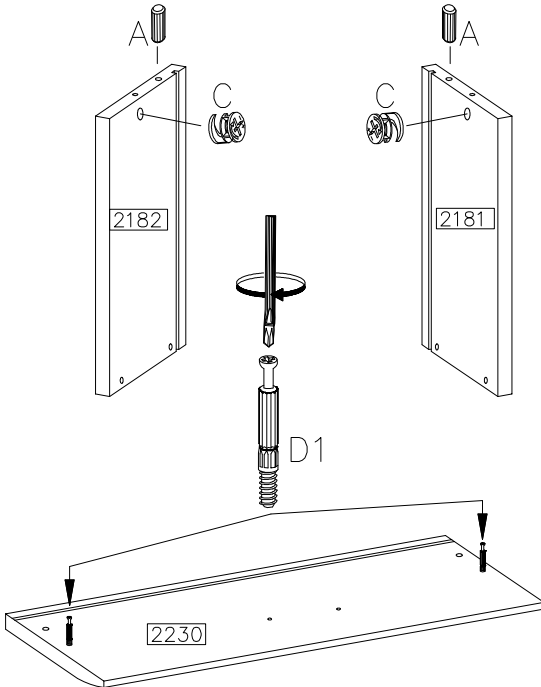
15 B

| | | |
|---|---|---|
|  P1 |  R2 |  S1 |
| 6 | 2 | 1 |






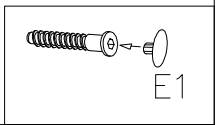
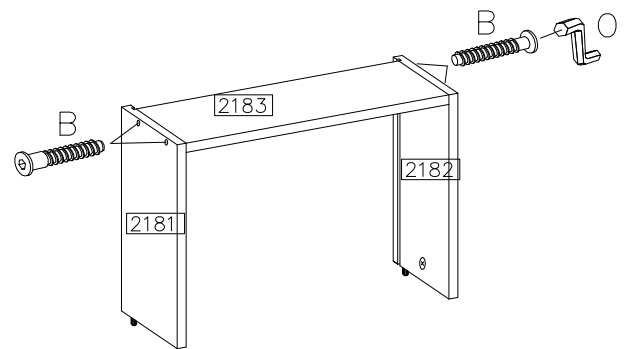
12 C

| |
|---|
|  <p>ø8x30mm</p> <p>A</p> |
| <p>2</p> |
|  <p>ø15/12mm</p> <p>C</p> |
| <p>2</p> |
|  <p>D1</p> |
| <p>2</p> |




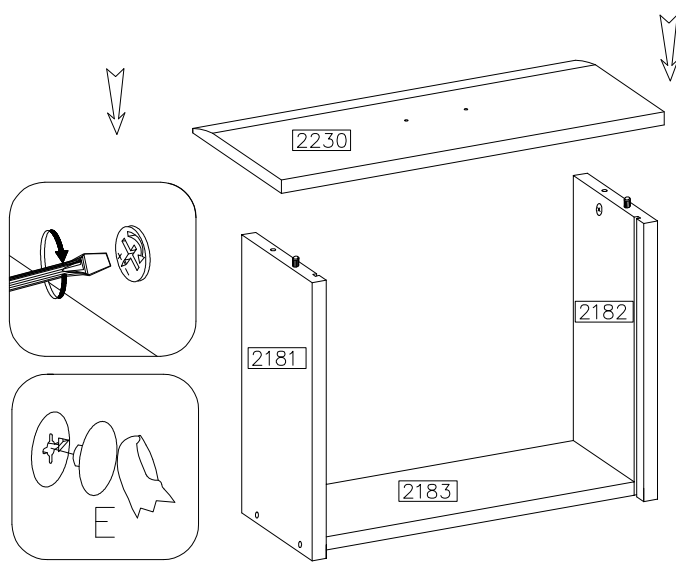
13 C

| | | |
|--|---|--|
|  <p>ø6,4x50mm</p> <p>B</p> |  <p>E1</p> |  <p>4mm</p> <p>O</p> |
| <p>4</p> | <p>4</p> | <p>1</p> |






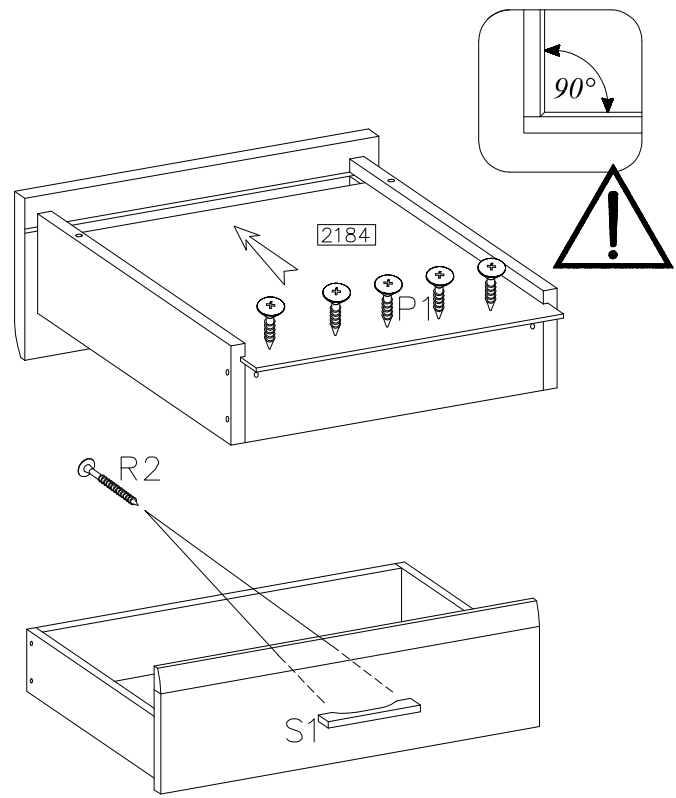
14 C

| |
|--|
|  <p>E</p> |
| <p>2</p> |



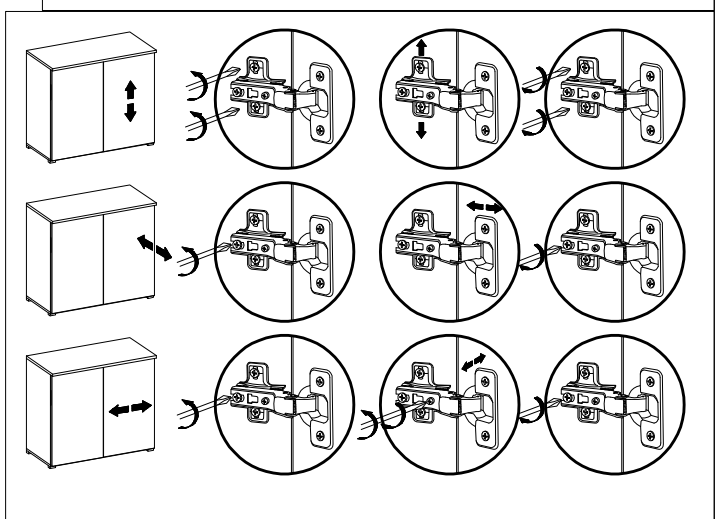
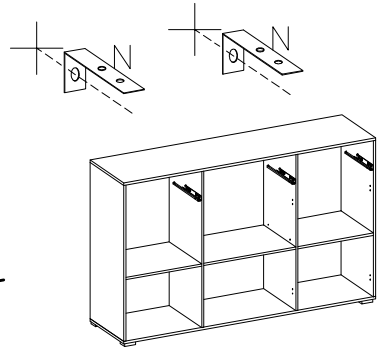
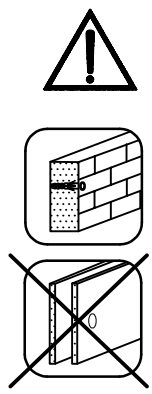
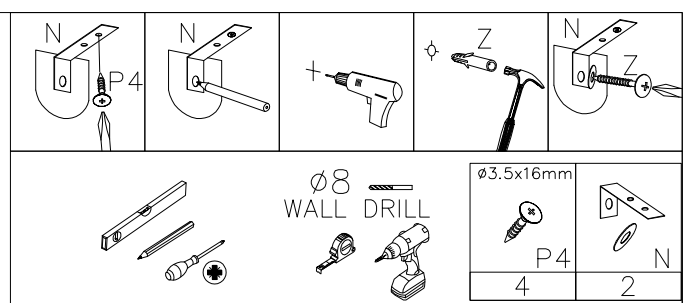
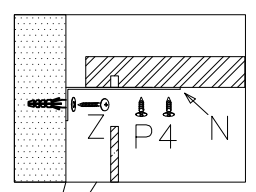
15 C

| | | |
|--|--|---|
|  <p>ø3.0x16mm</p> <p>P1</p> |  <p>ø4.0x27mm</p> <p>R2</p> |  <p>S1</p> |
| <p>6</p> | <p>2</p> | <p>1</p> |



16

| |
|------------------------------------|
| <p>Ø6.0x50mm</p> <p>Z</p> <p>2</p> |
|------------------------------------|



17

| | | |
|--------------------|-------------------------------------|-------------------------------------|
| <p>S1</p> <p>3</p> | <p>Ø4.0x27mm</p> <p>R2</p> <p>6</p> | <p>Ø3.0x20mm</p> <p>P7</p> <p>6</p> |
|--------------------|-------------------------------------|-------------------------------------|

