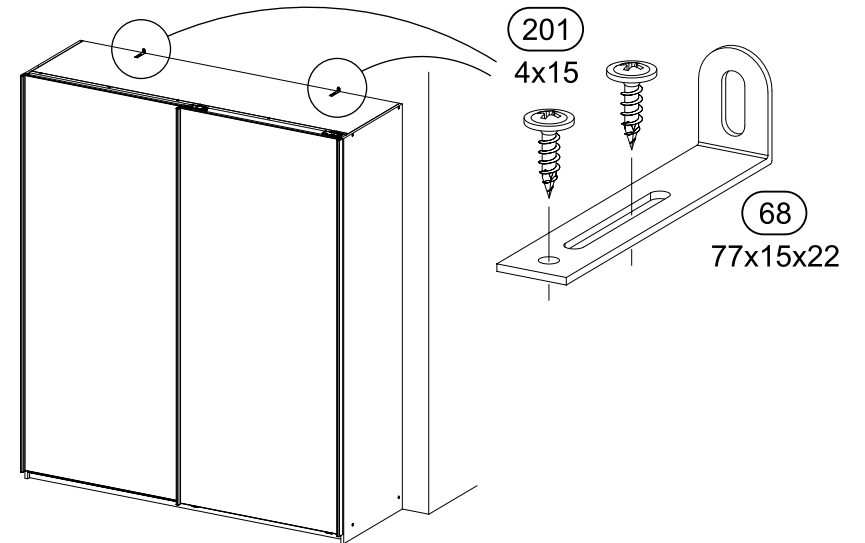
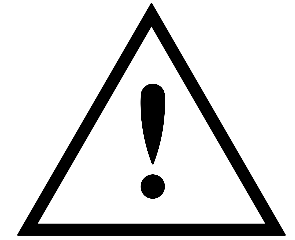
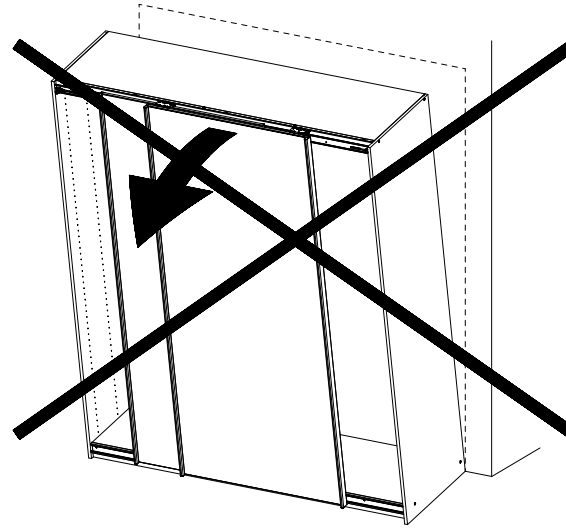
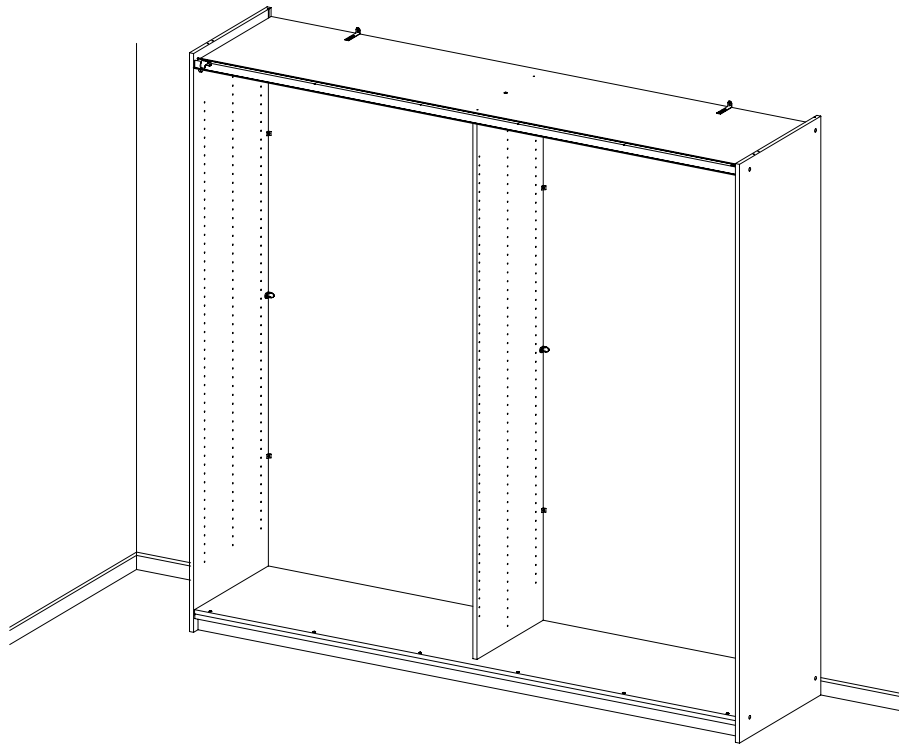
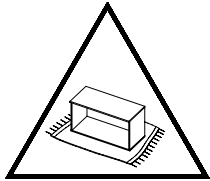
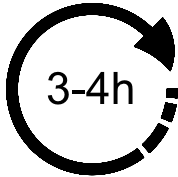
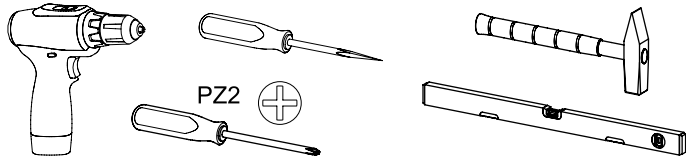


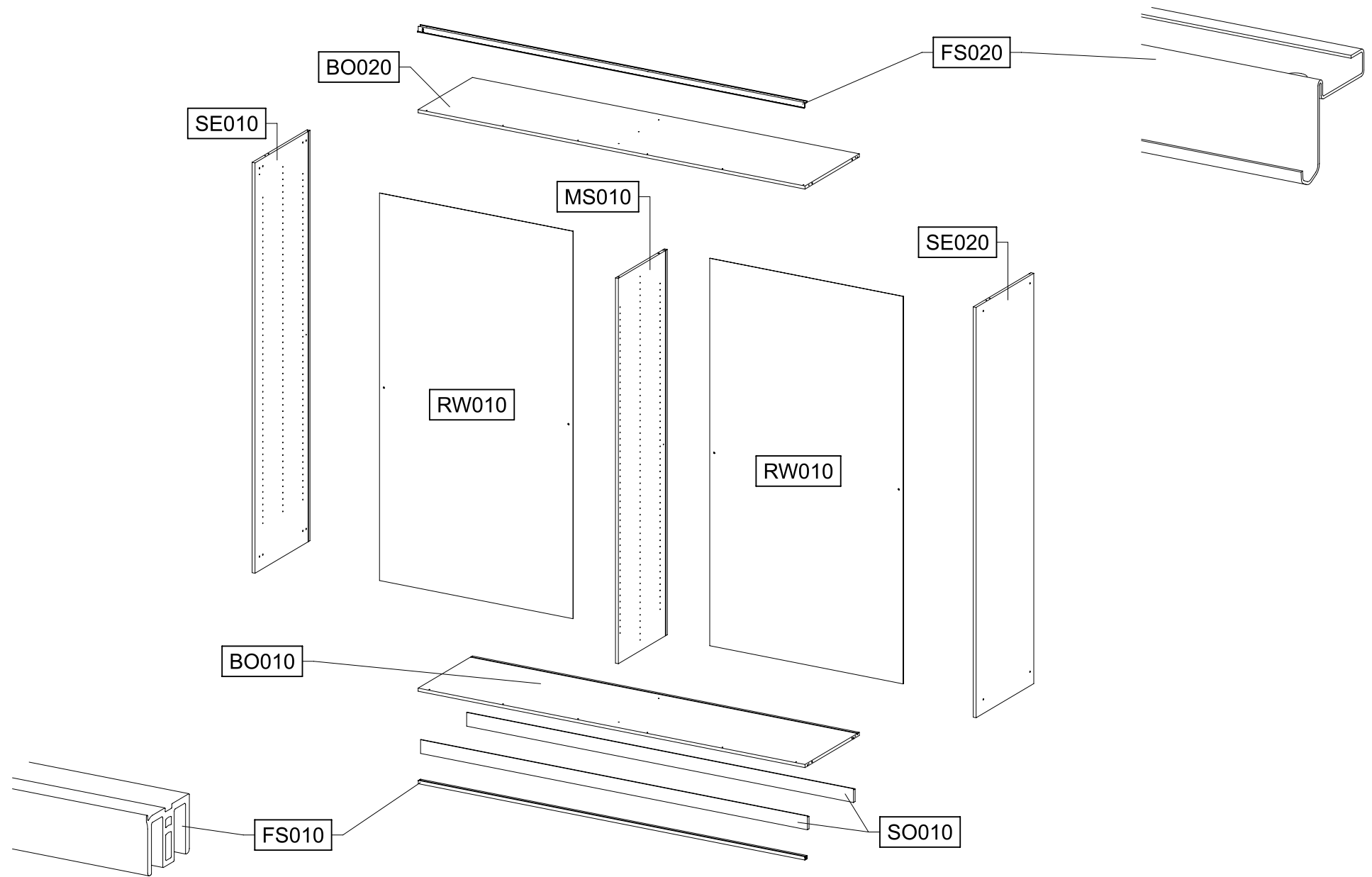
M2662_03

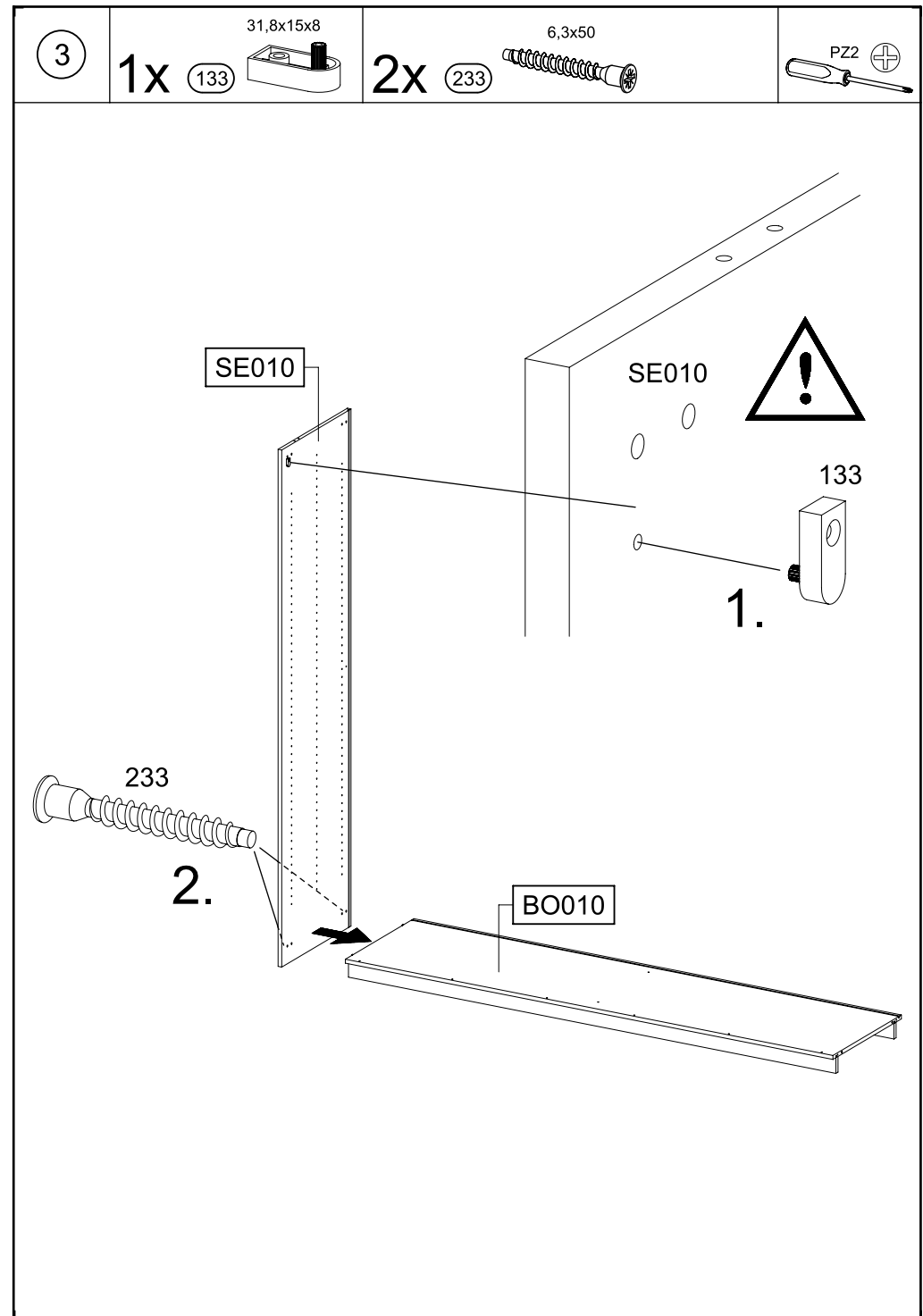
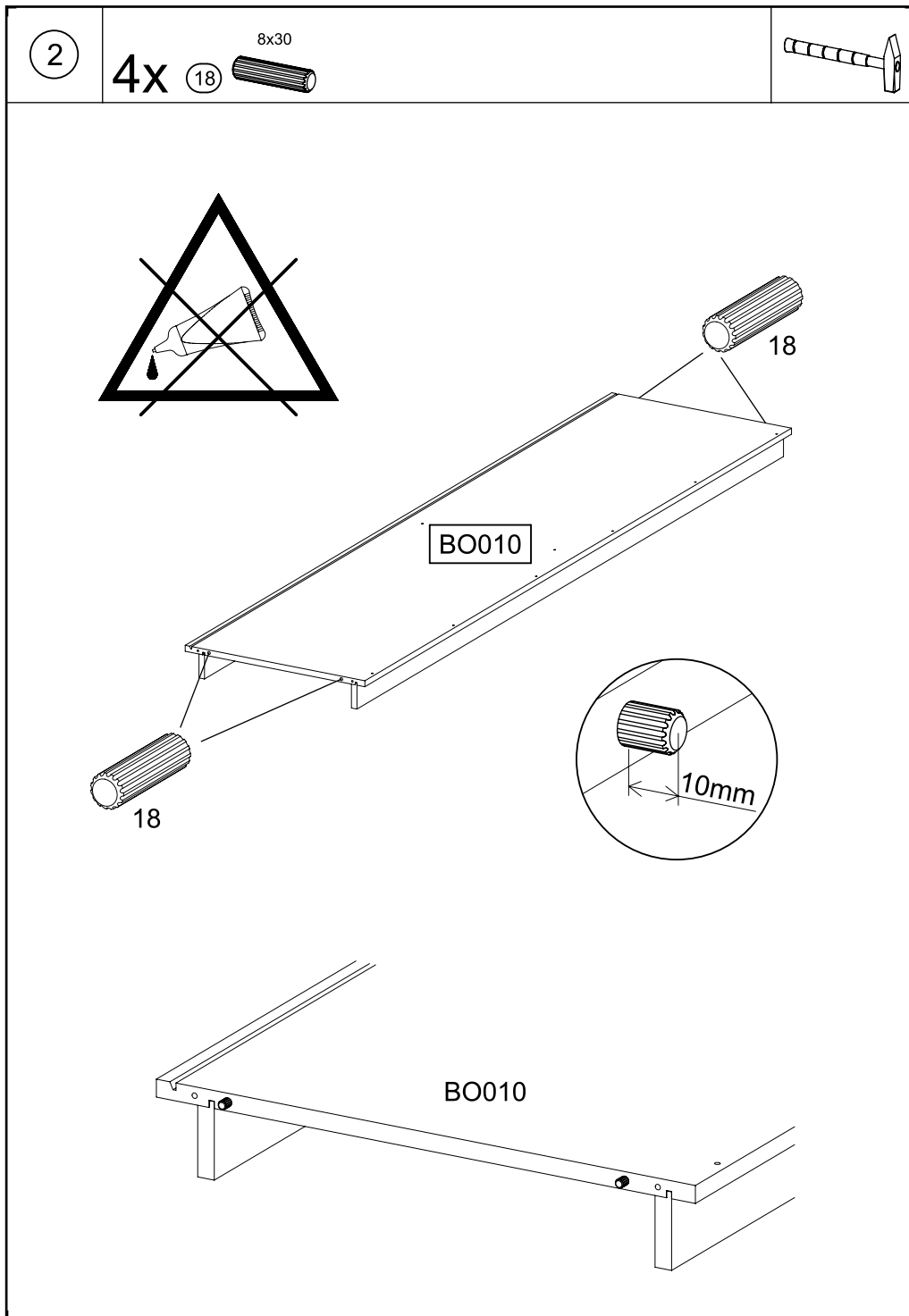


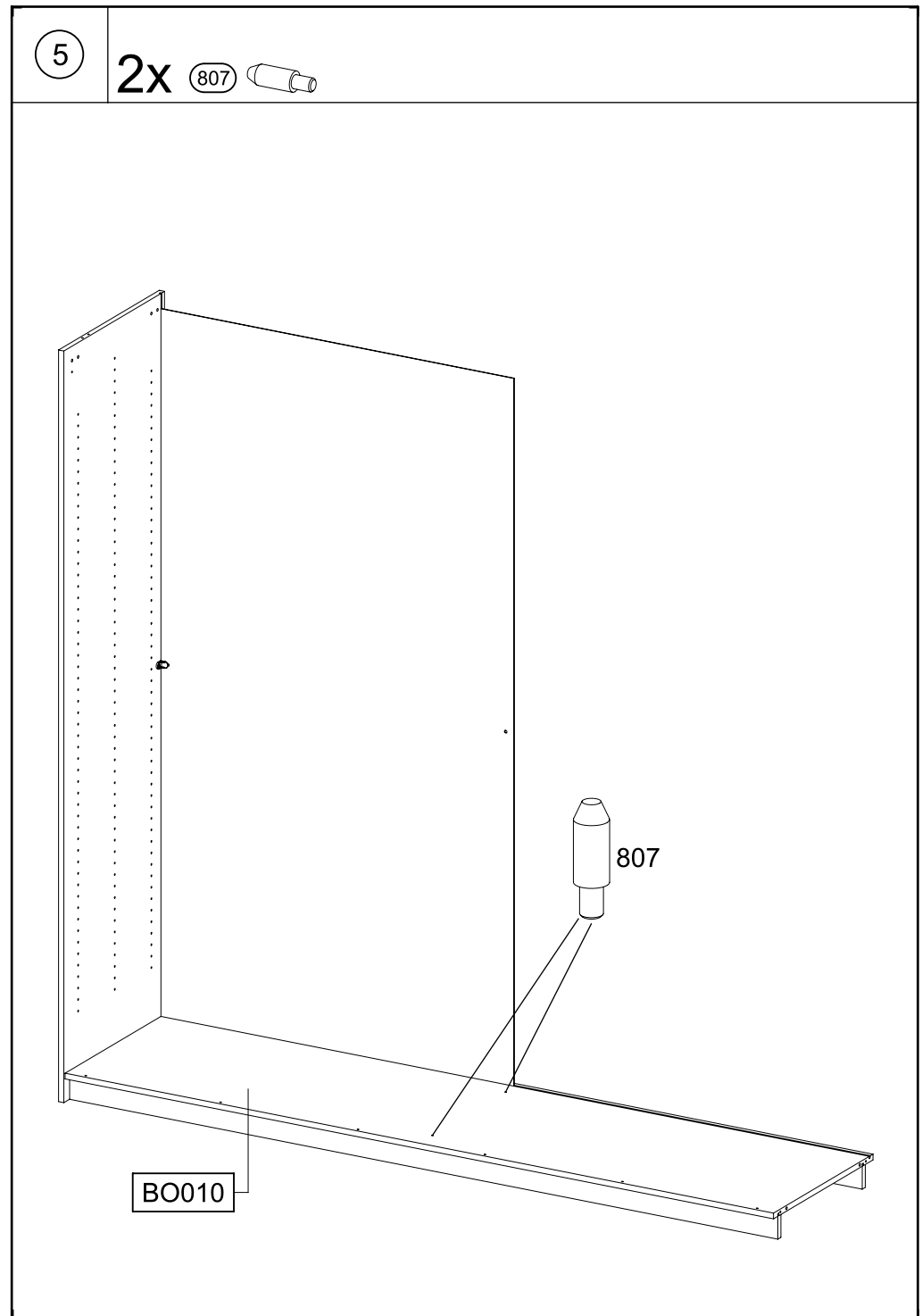
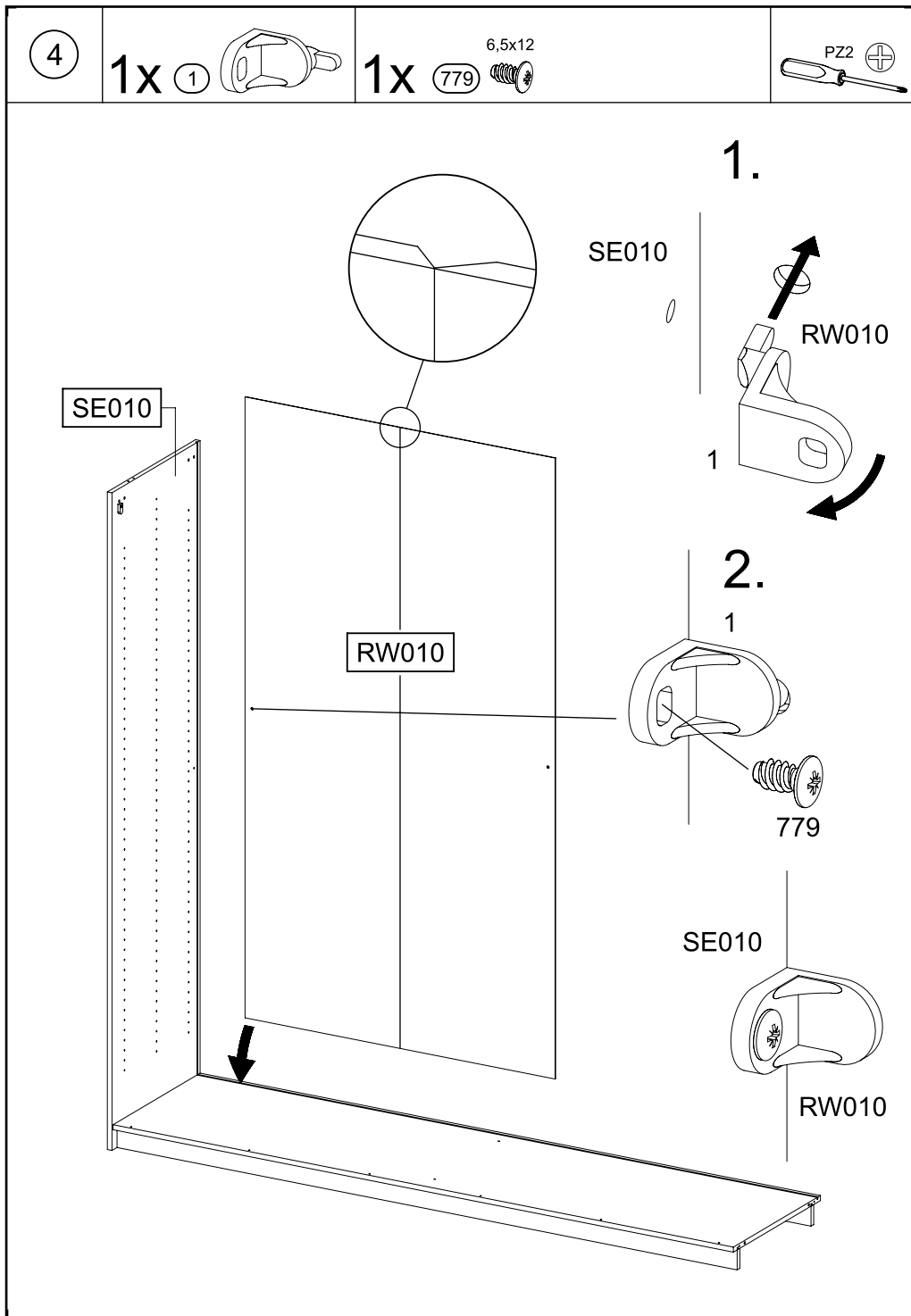
VIDEO

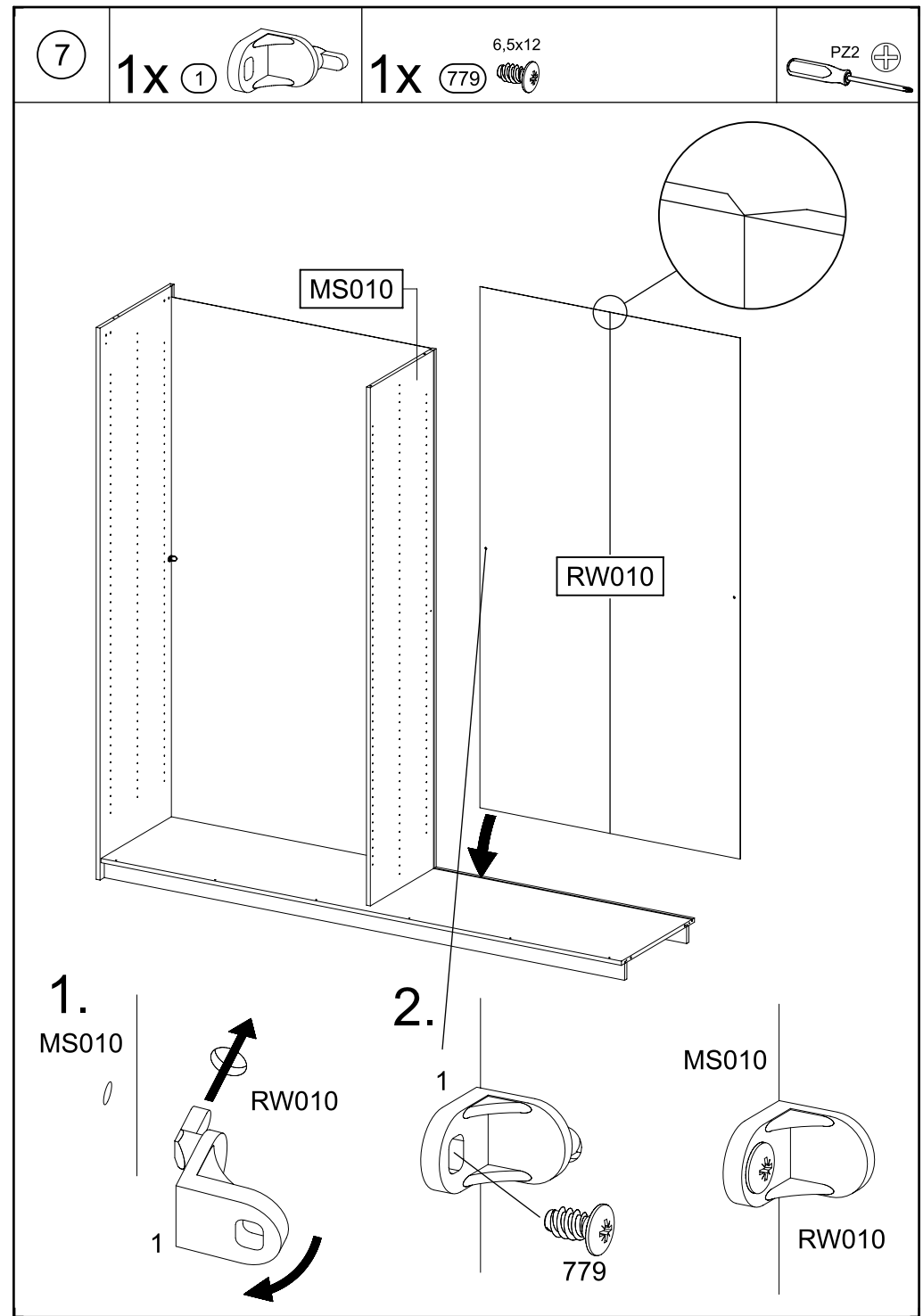
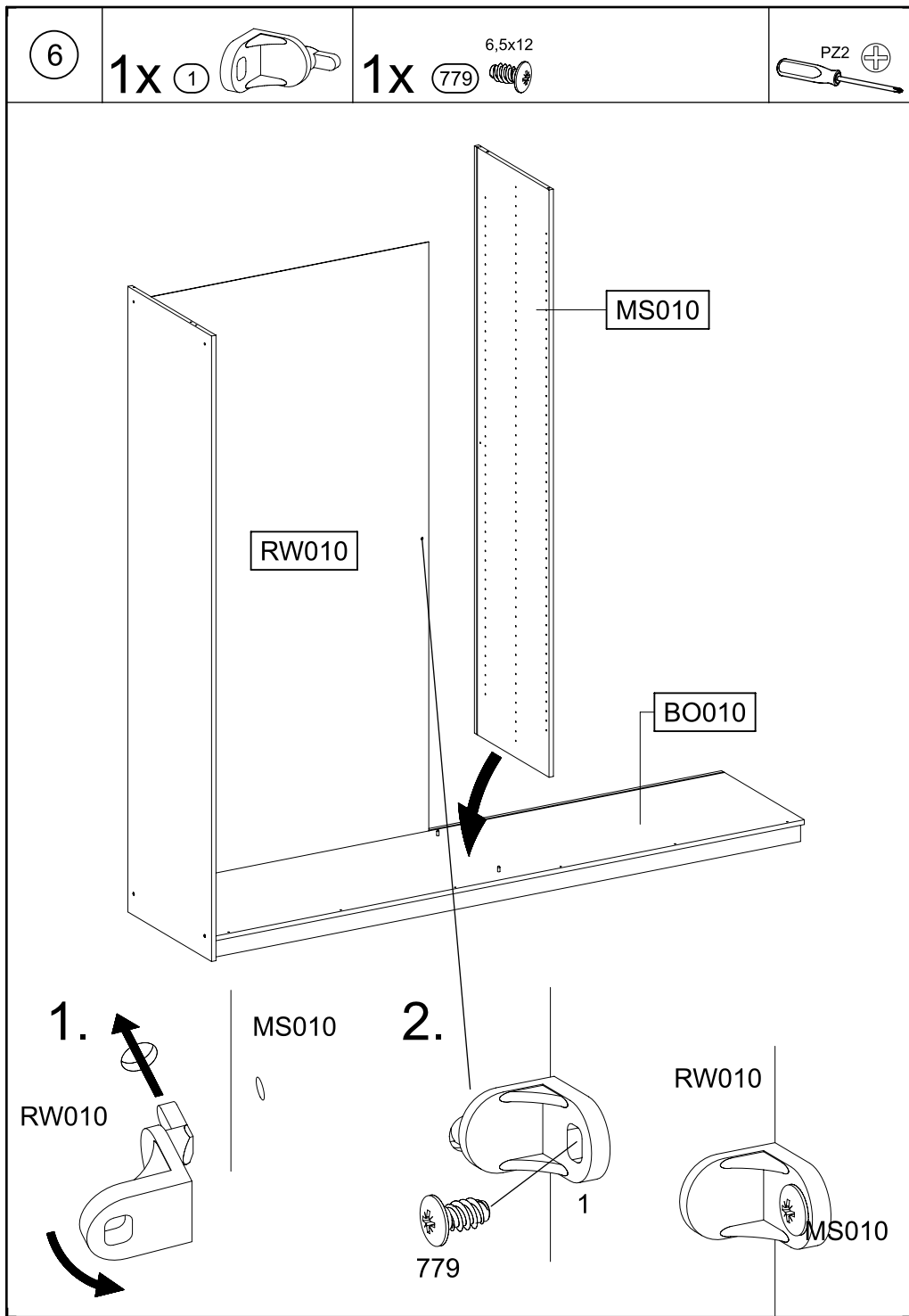


SCAN ME







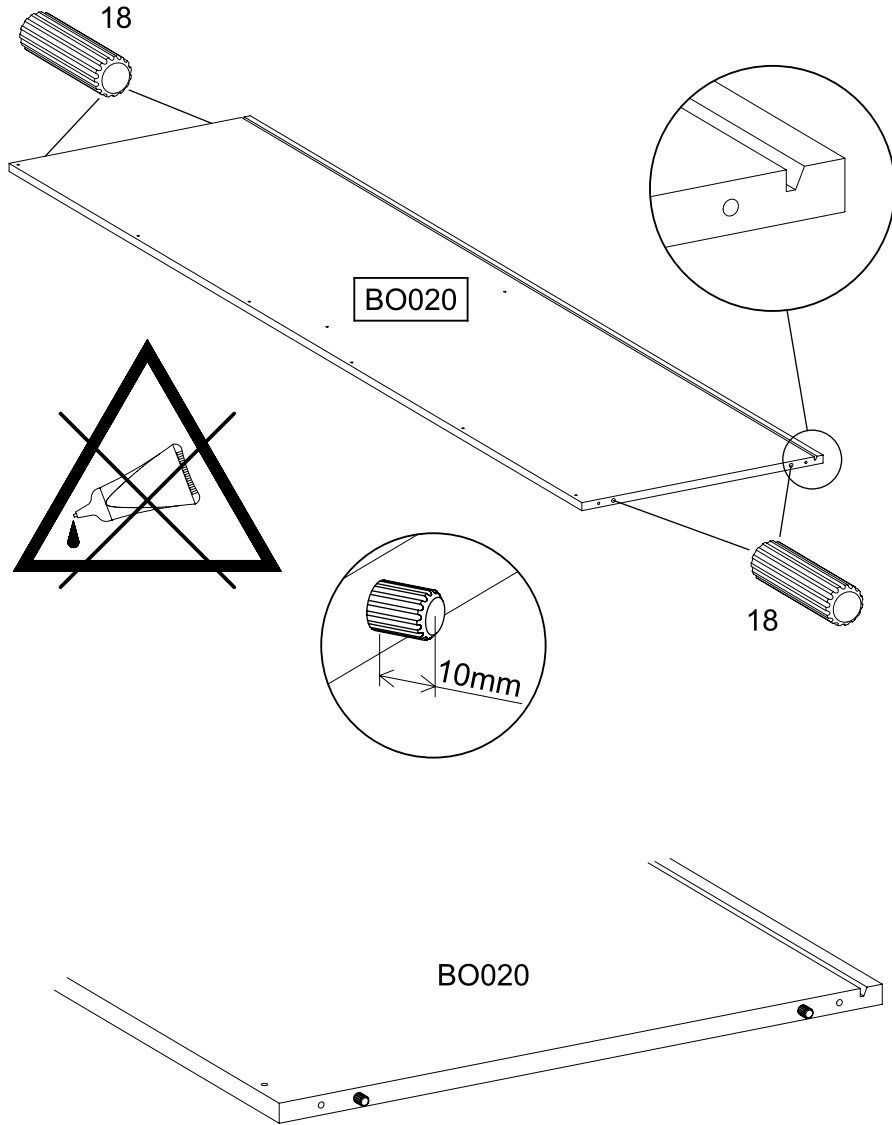
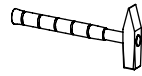


8

4x

18

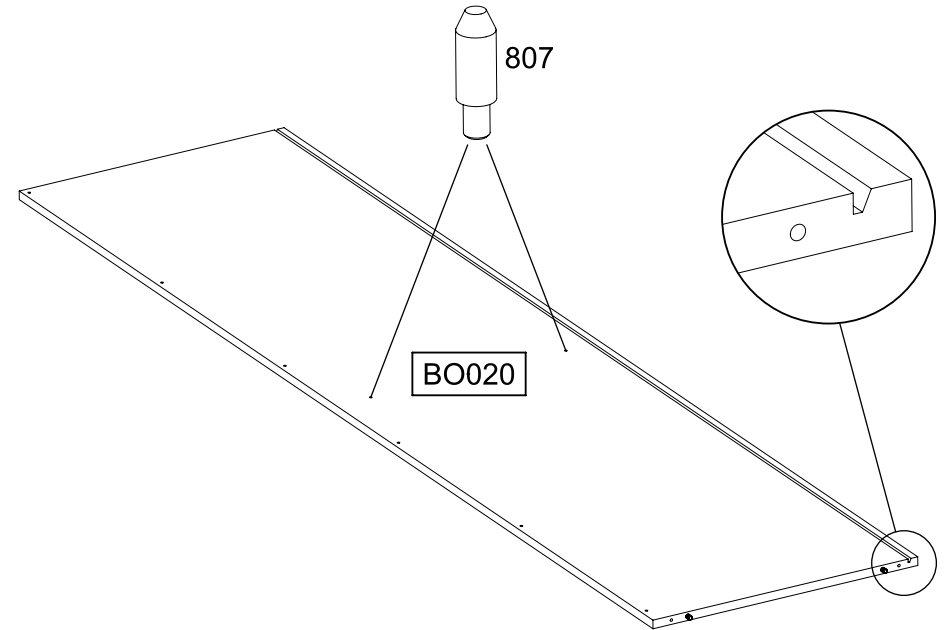
8x30

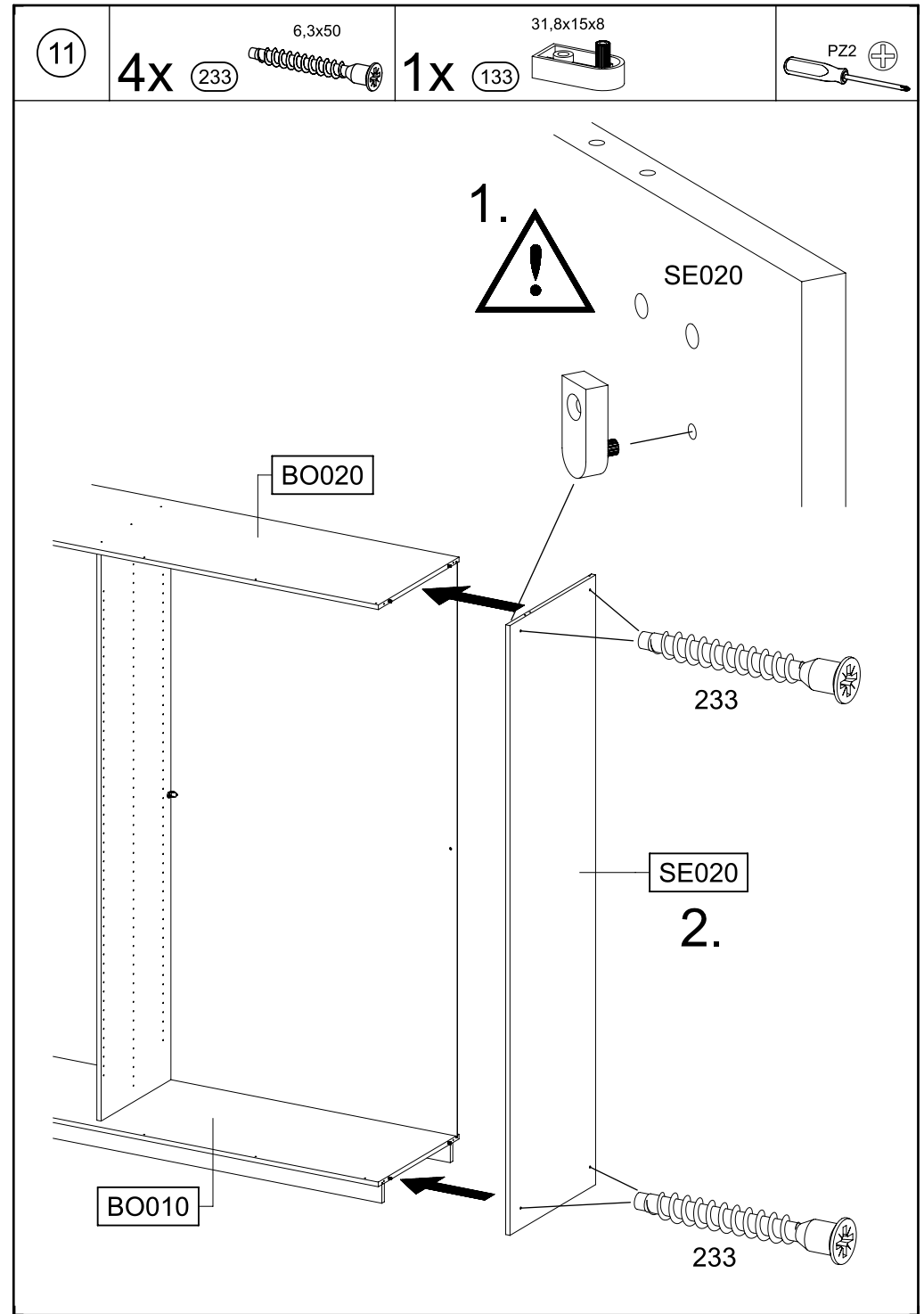
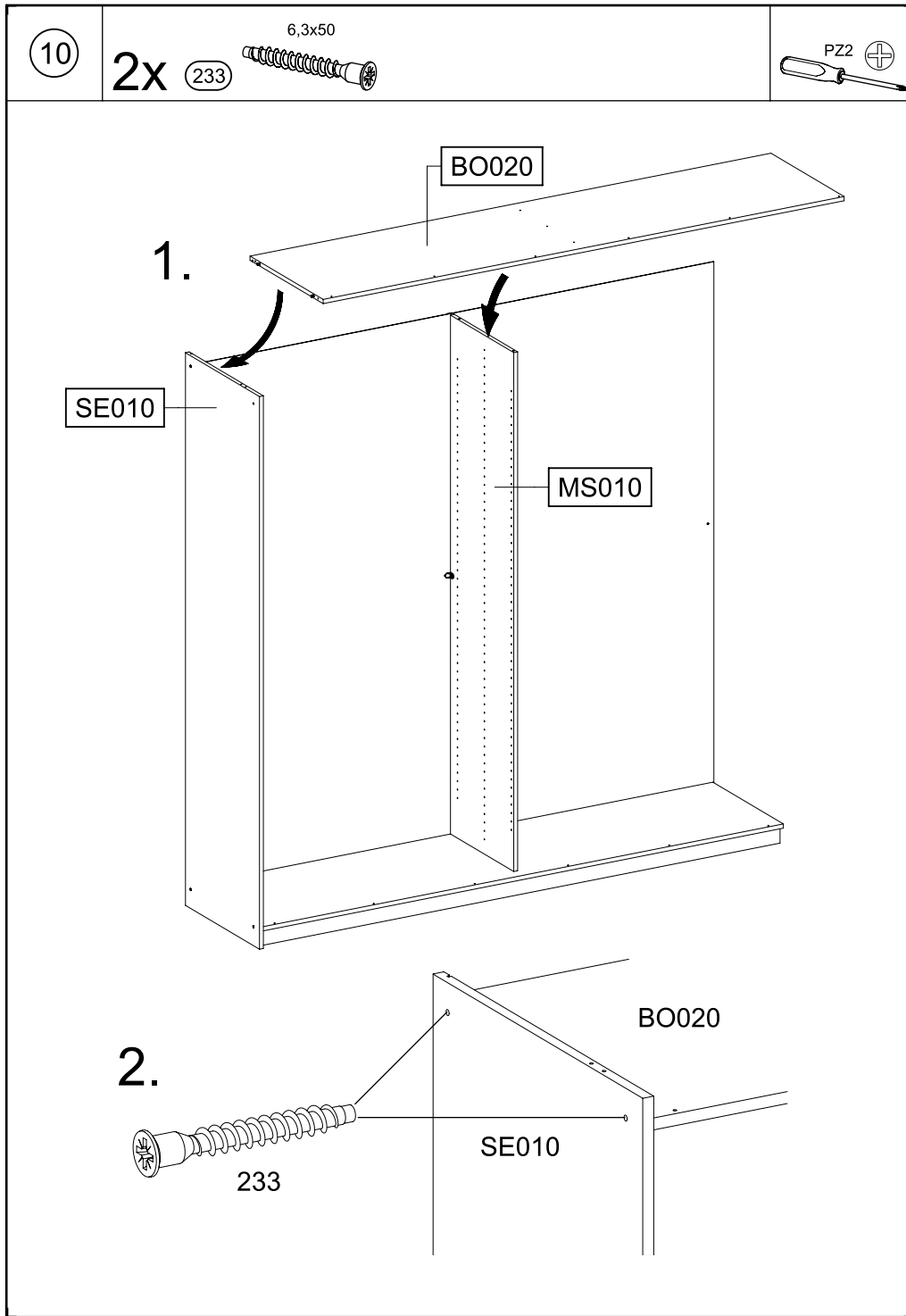


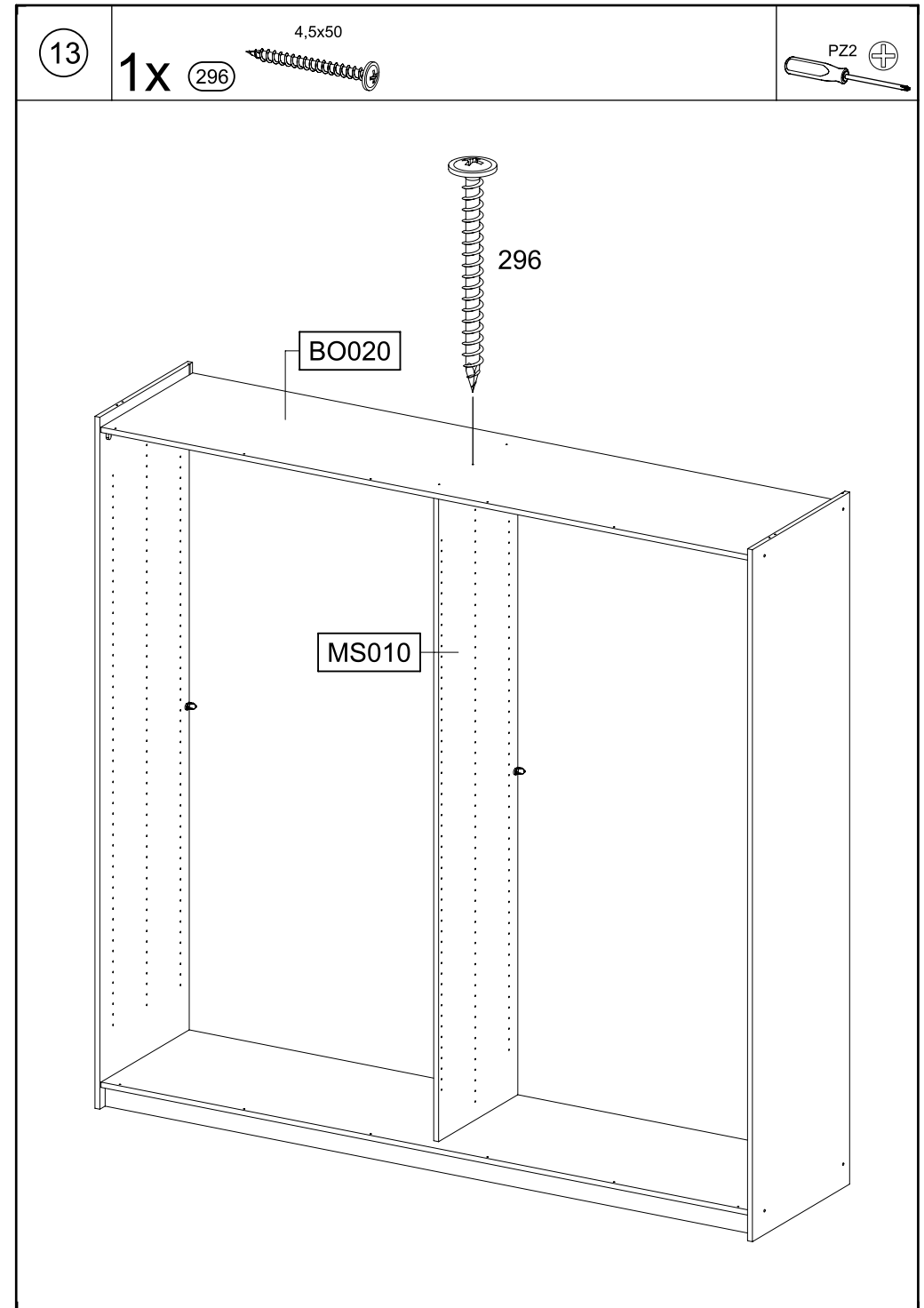
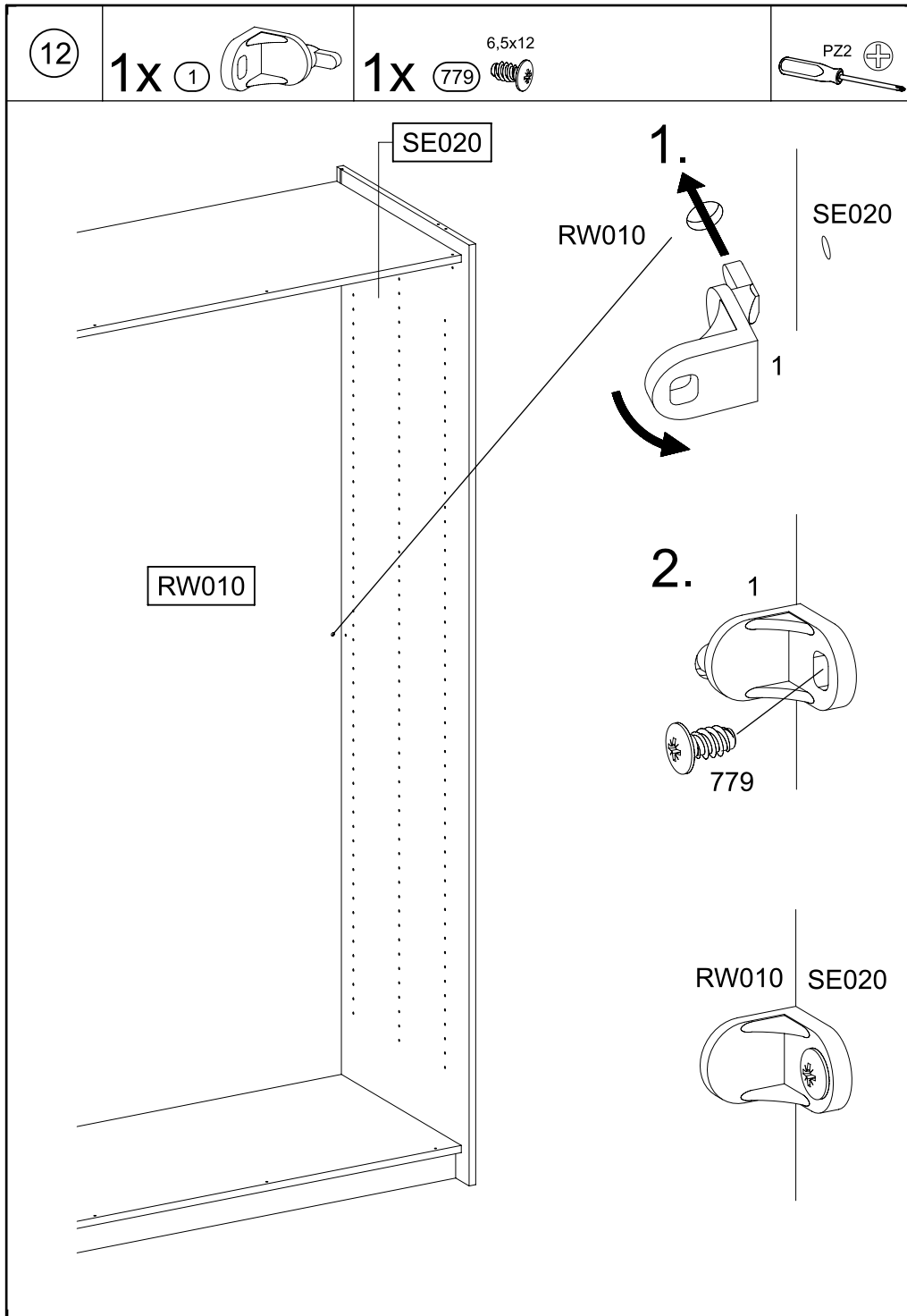
9

2x

807

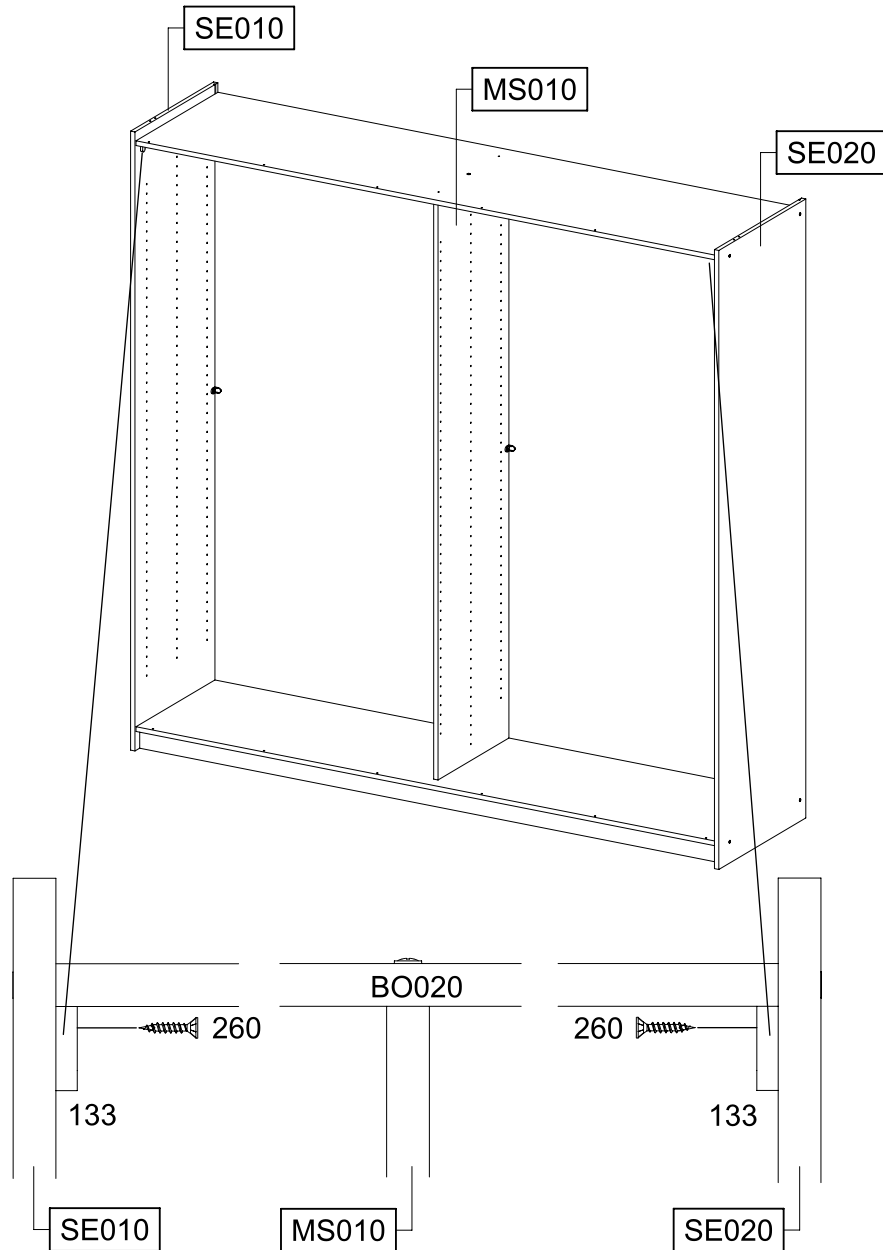
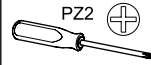






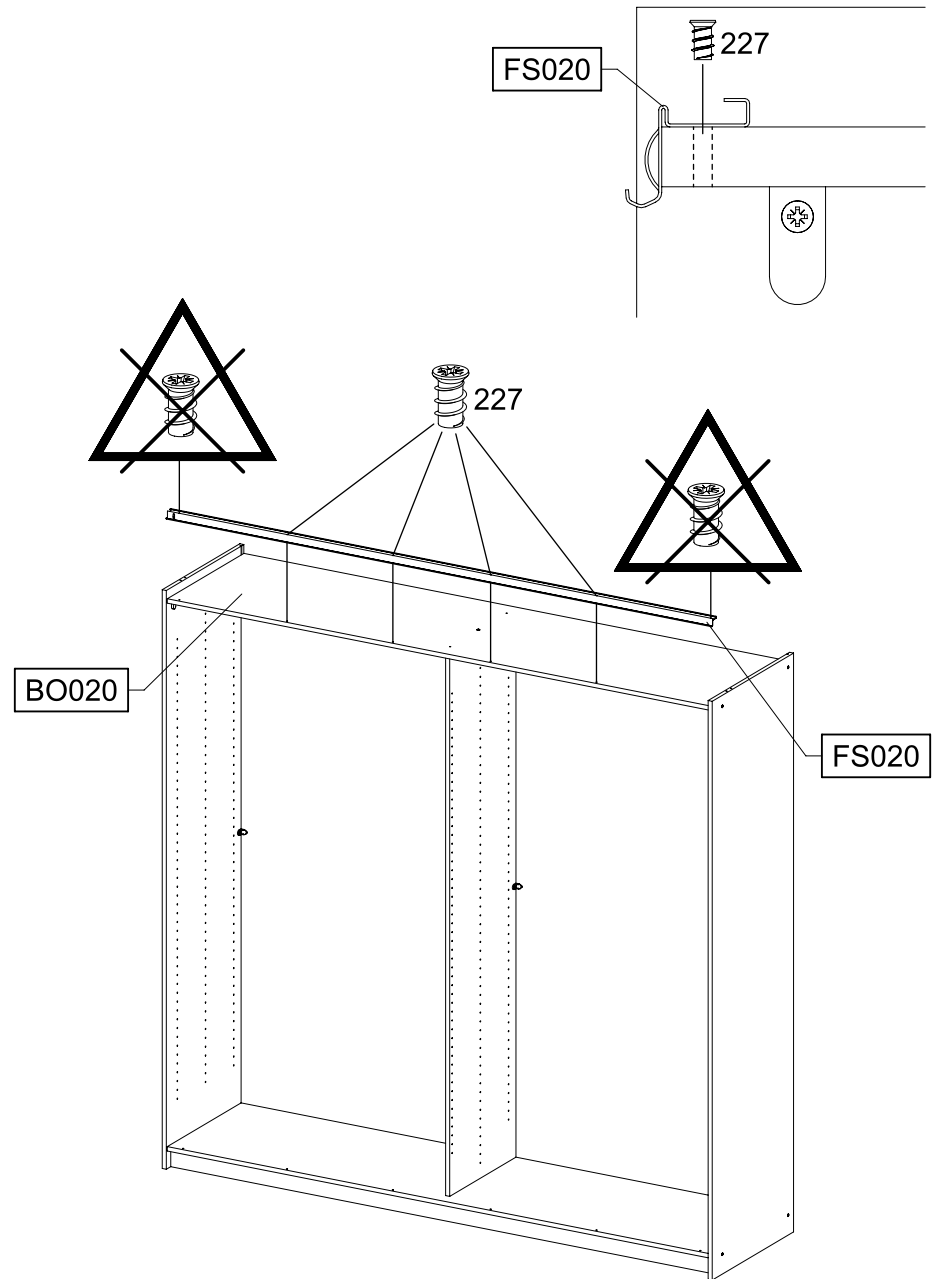
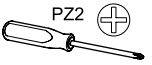
14

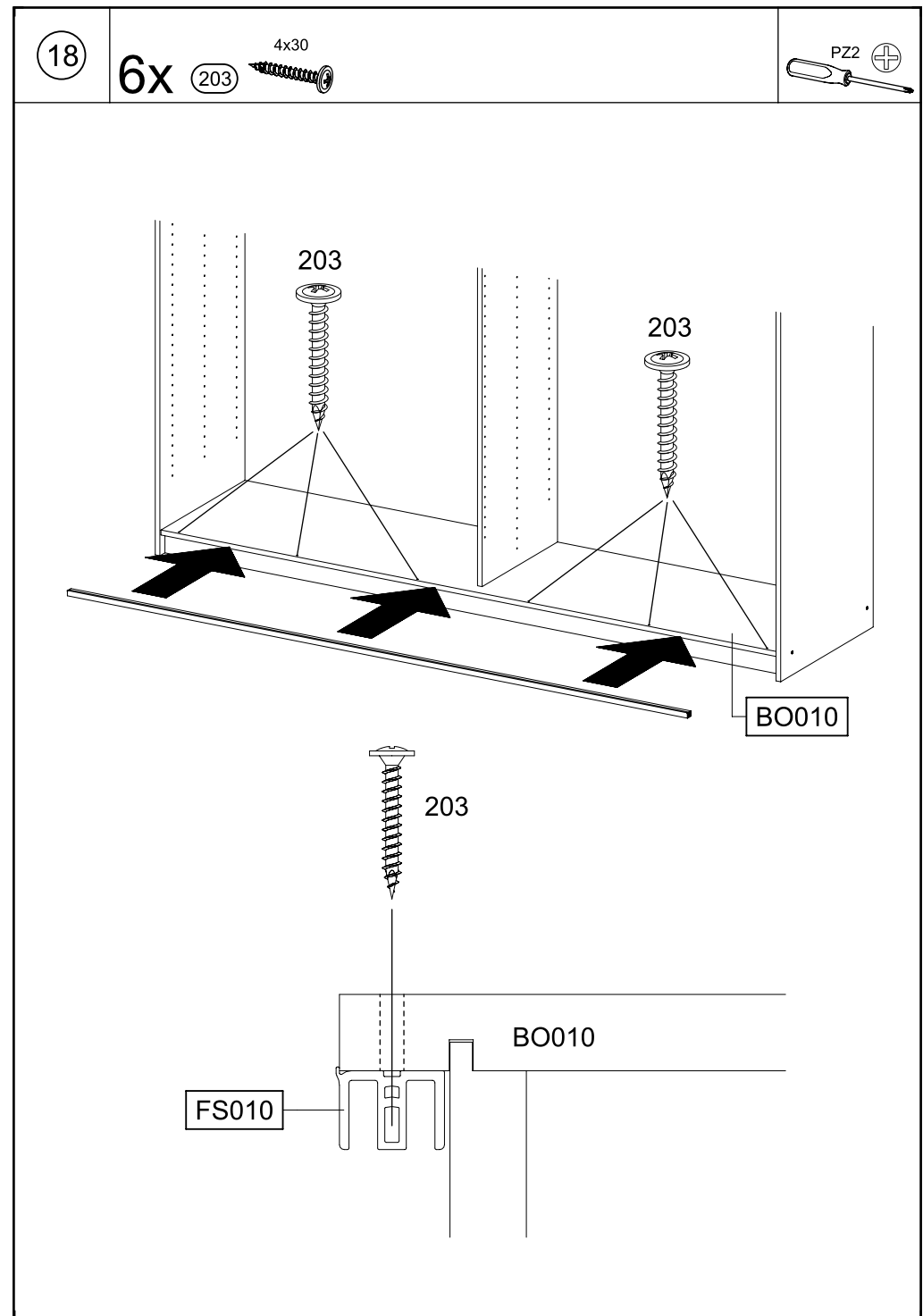
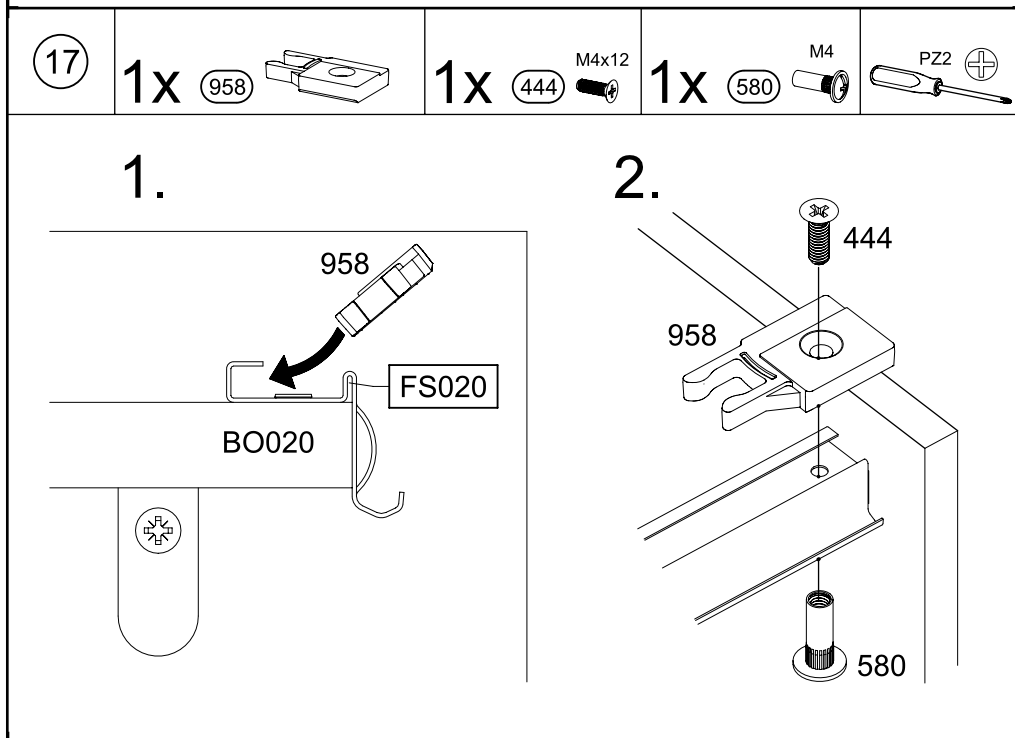
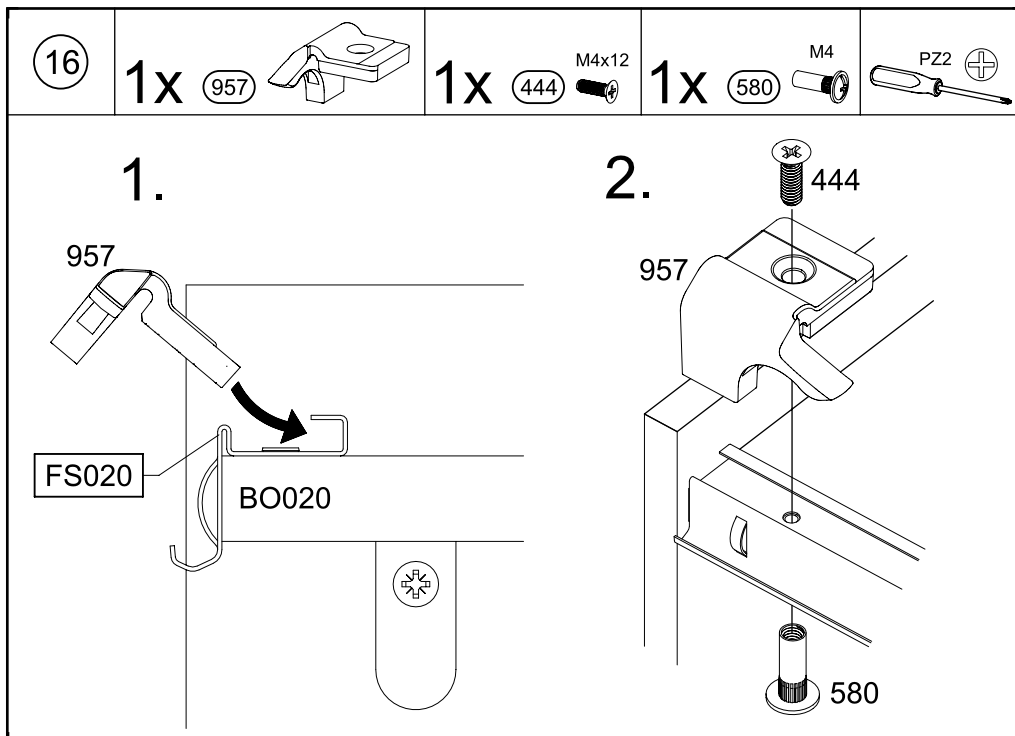
2x 260 4,0x22

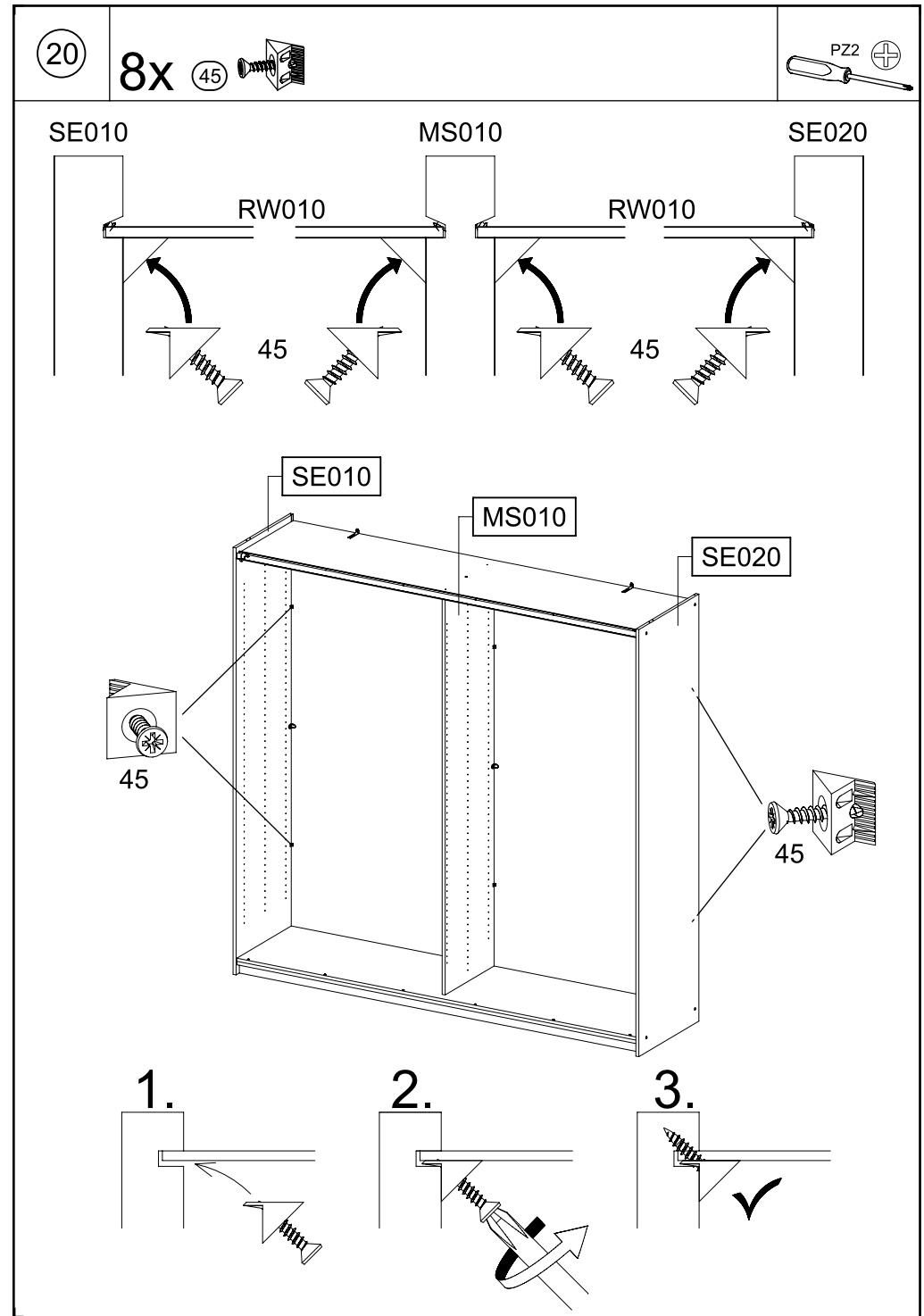
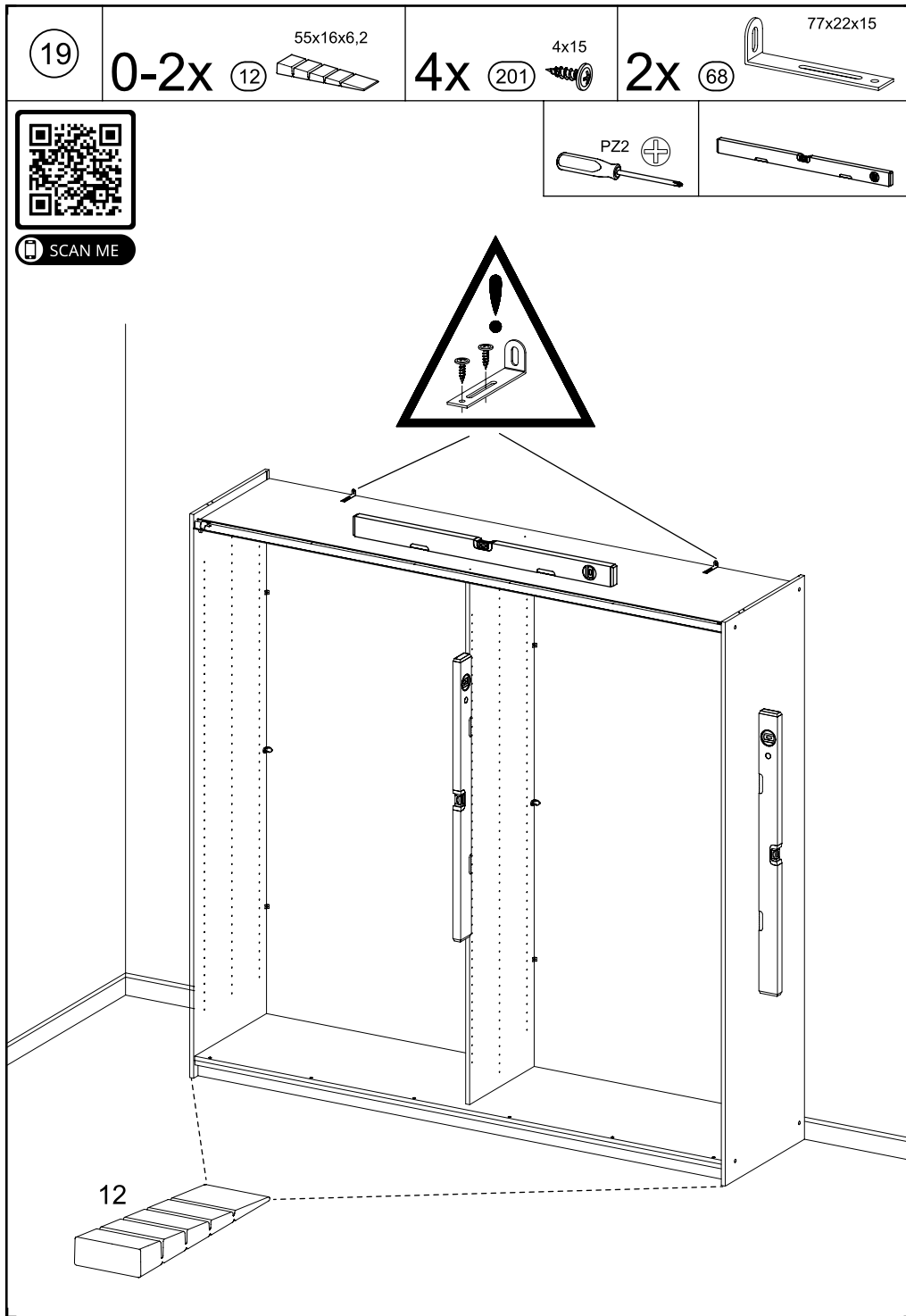


15

4x 227 6x10,5



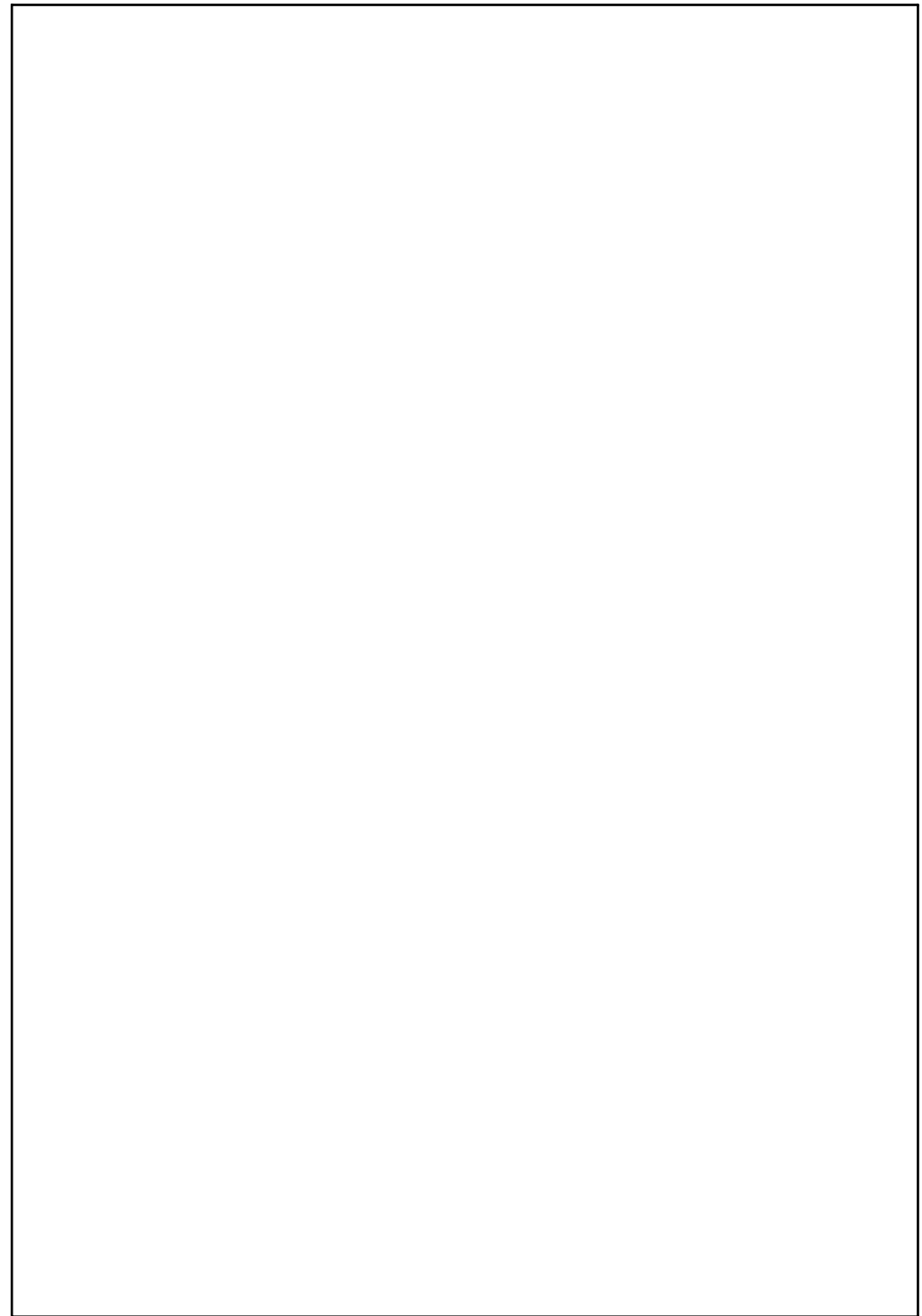
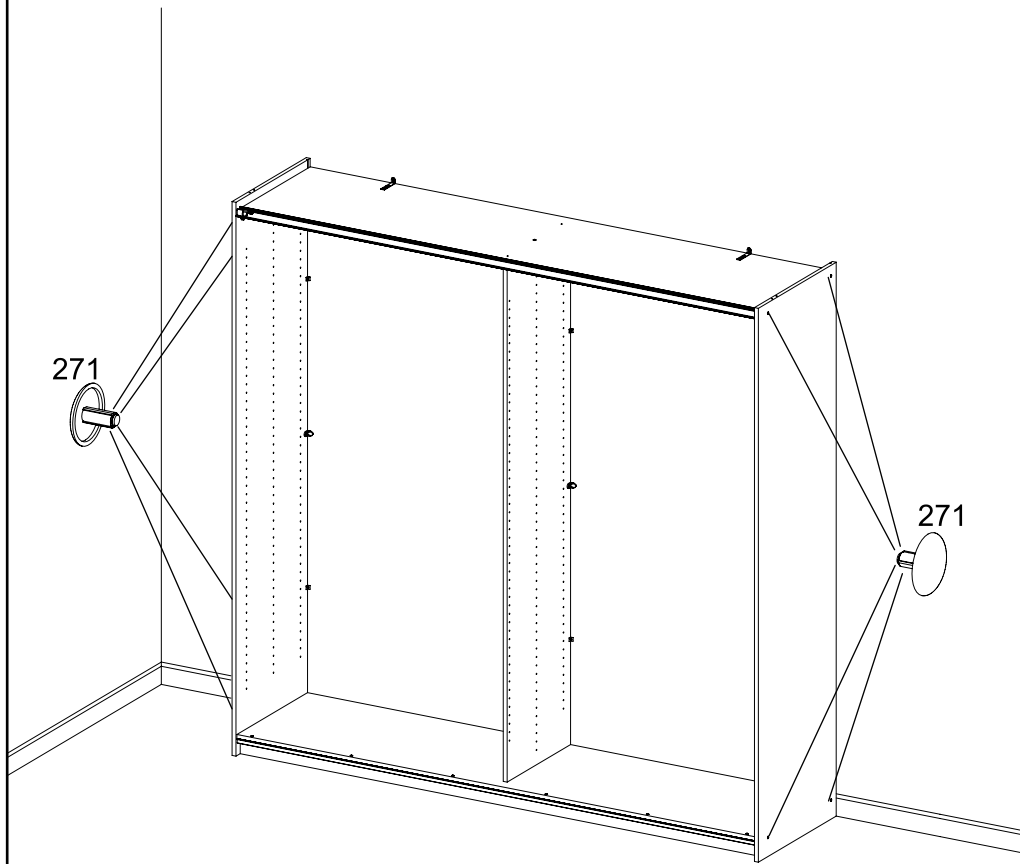




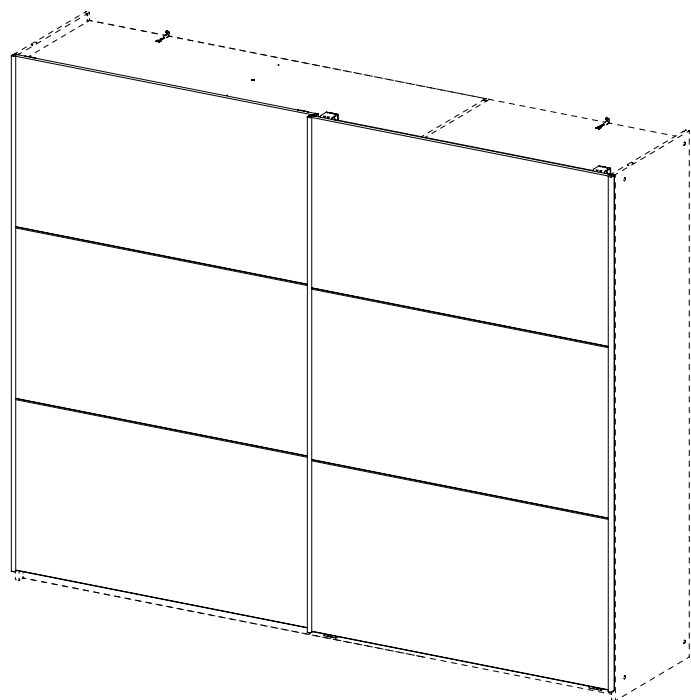
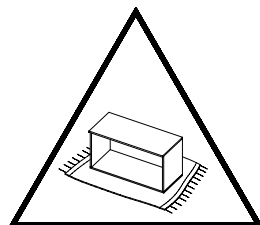
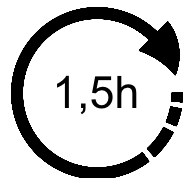
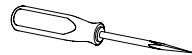
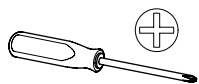
21

8x

271



M9950_01



52x

3,5x12

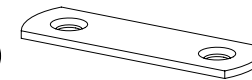
(88)



6x

48x15x1,5

(160)



6x

(177)



24x

6x10,5

(227)



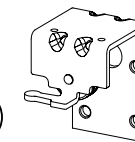
2x

(951)



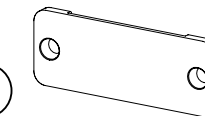
2x

(952)



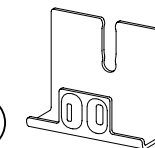
4x

(953)



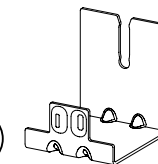
2x

(954)



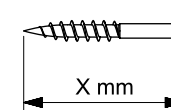
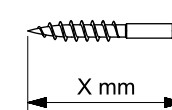
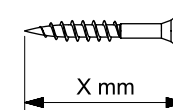
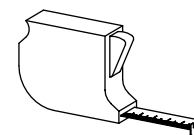
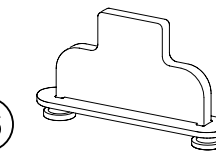
2x

(955)

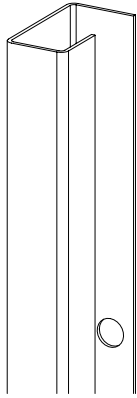


1x

(956)



GL010



PR010



GL010

PR010

TU030

TU020

TU010



GL010

GL010

TU060

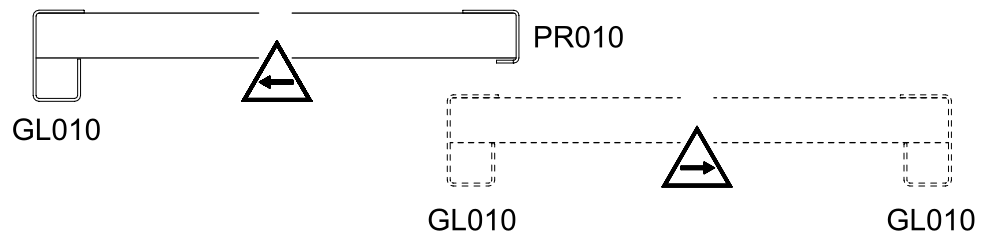
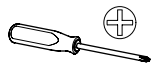
TU050

TU040

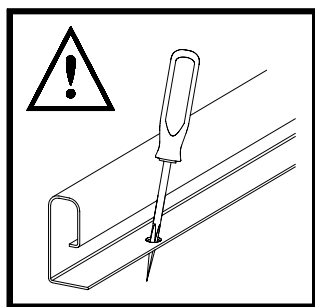


1

4x 3,5x12
88

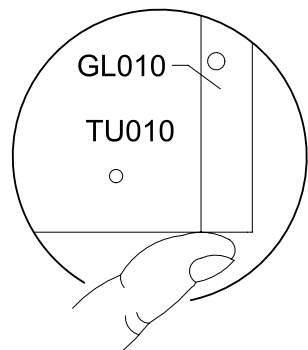


1.

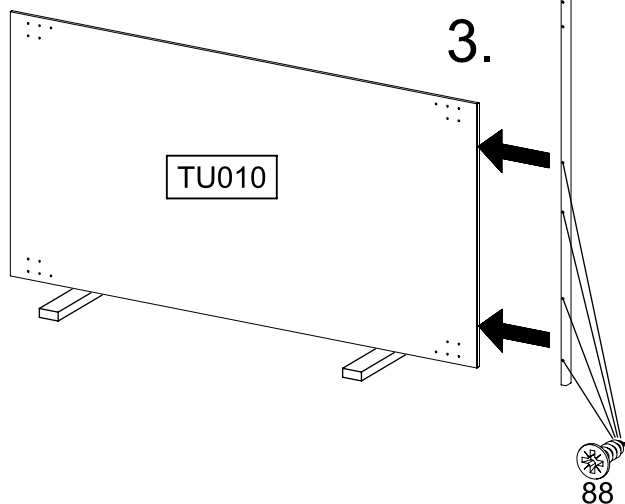


GL010

2.



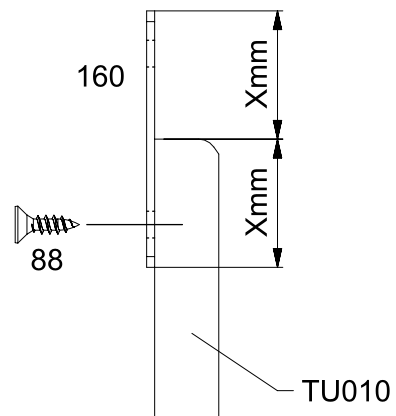
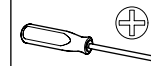
3.



2

1x 3,5x12
88

1x 48x15x1,5
160

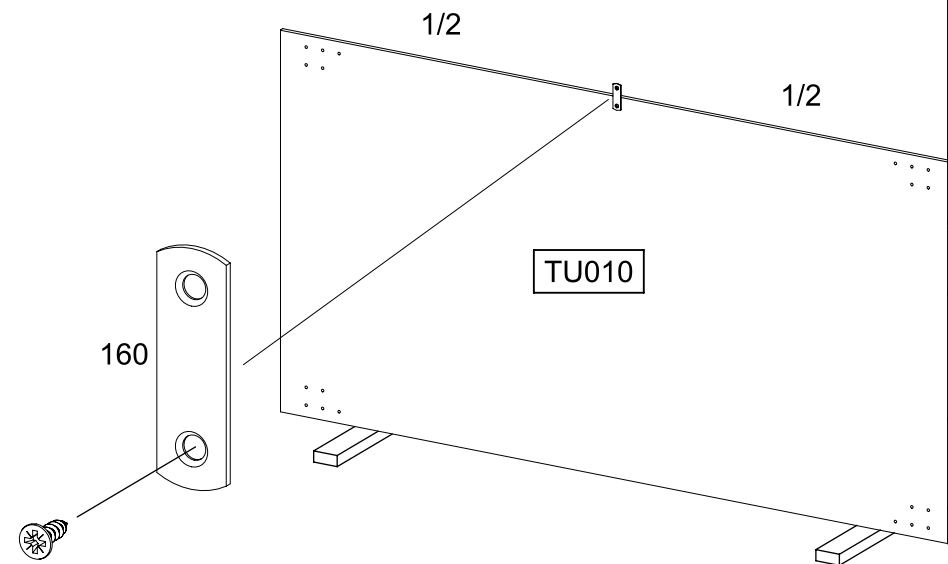


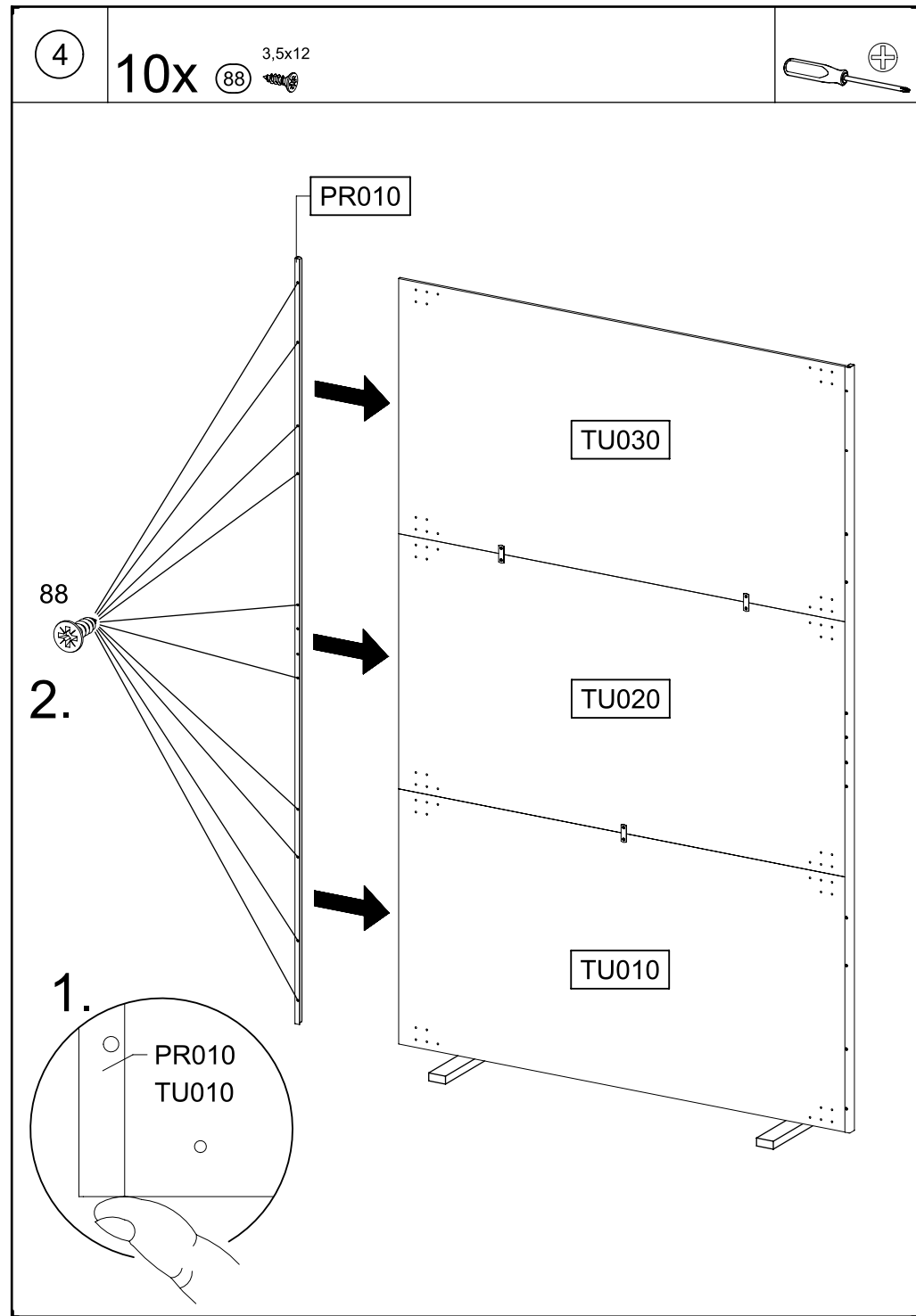
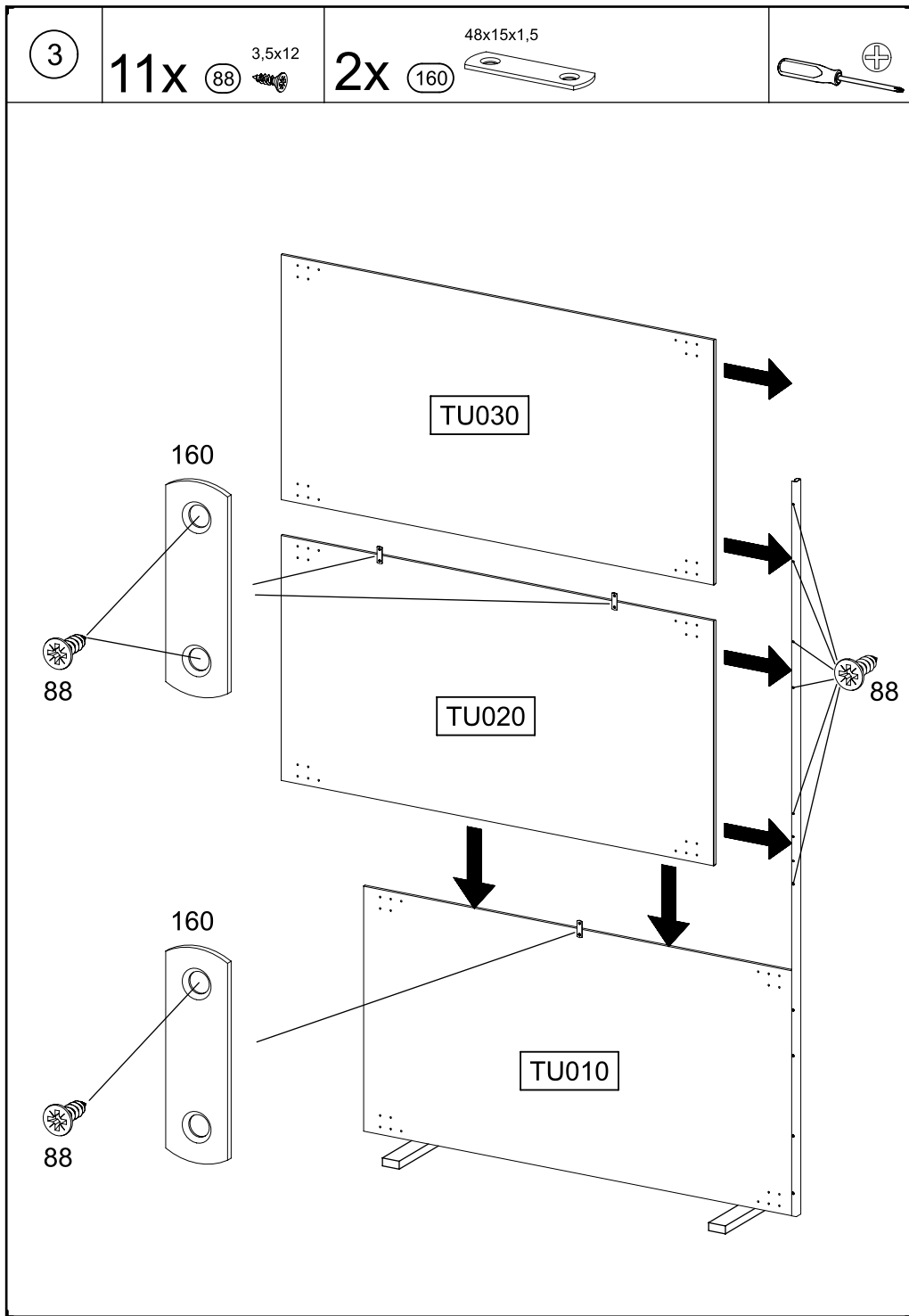
1/2

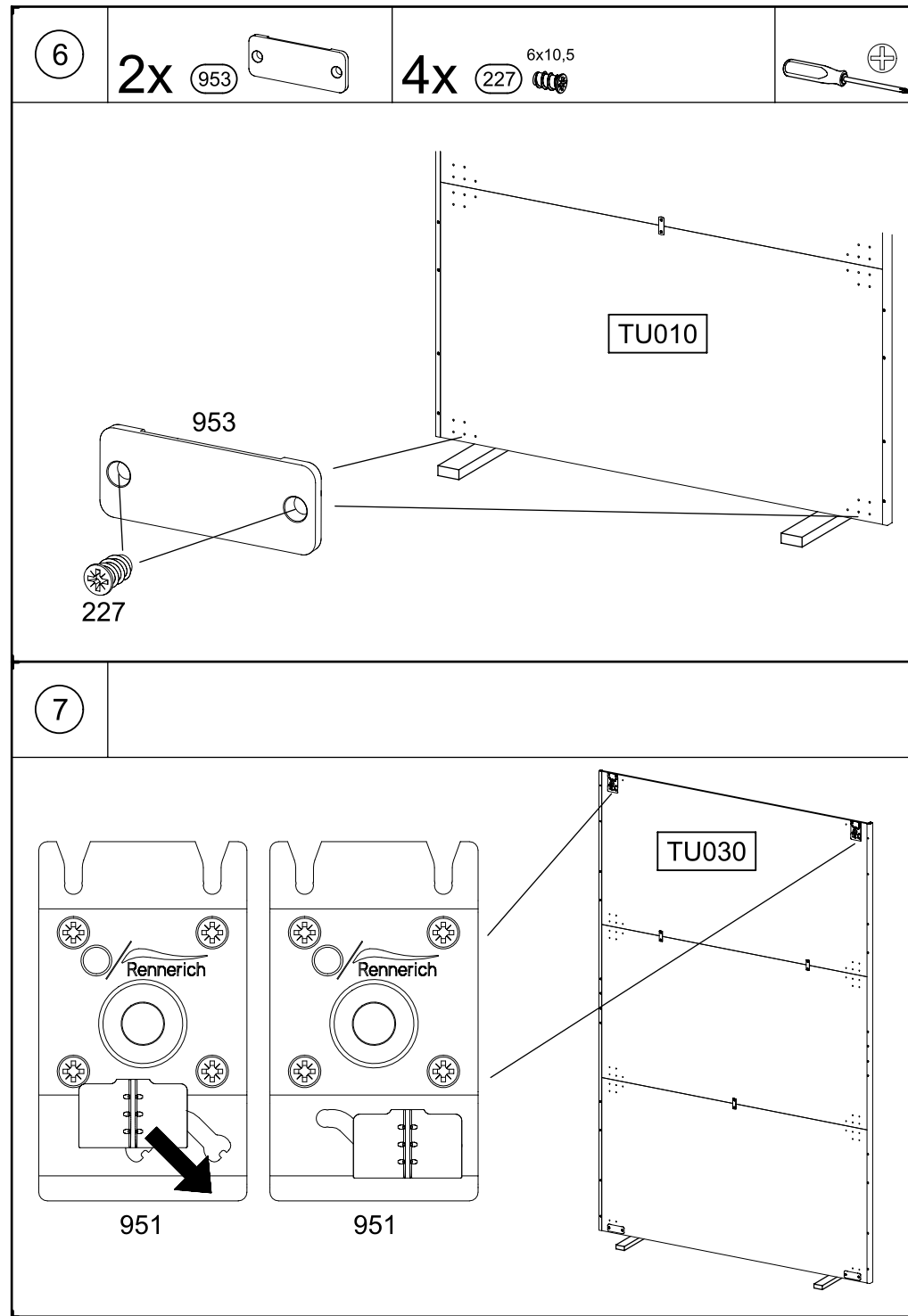
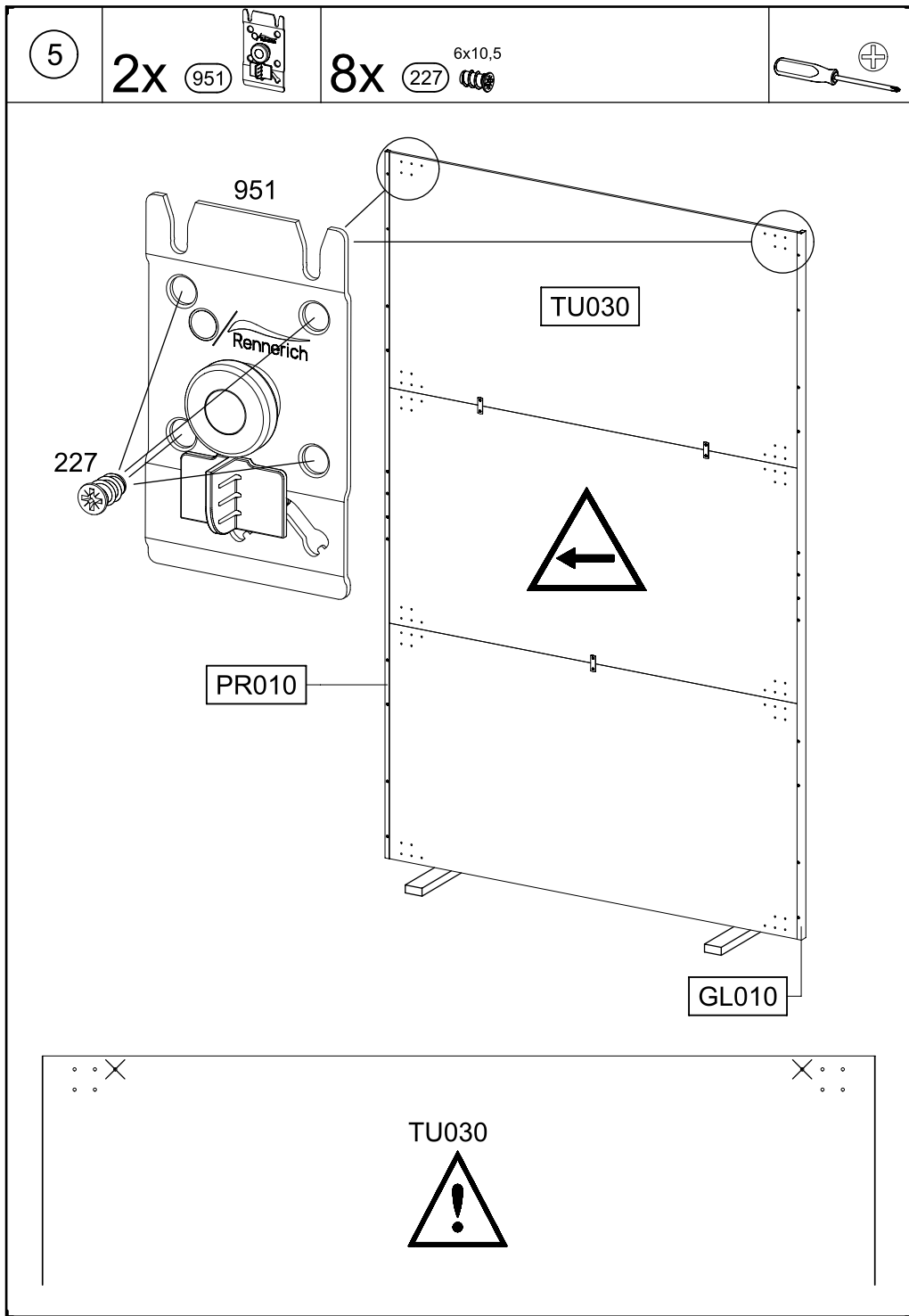
1/2

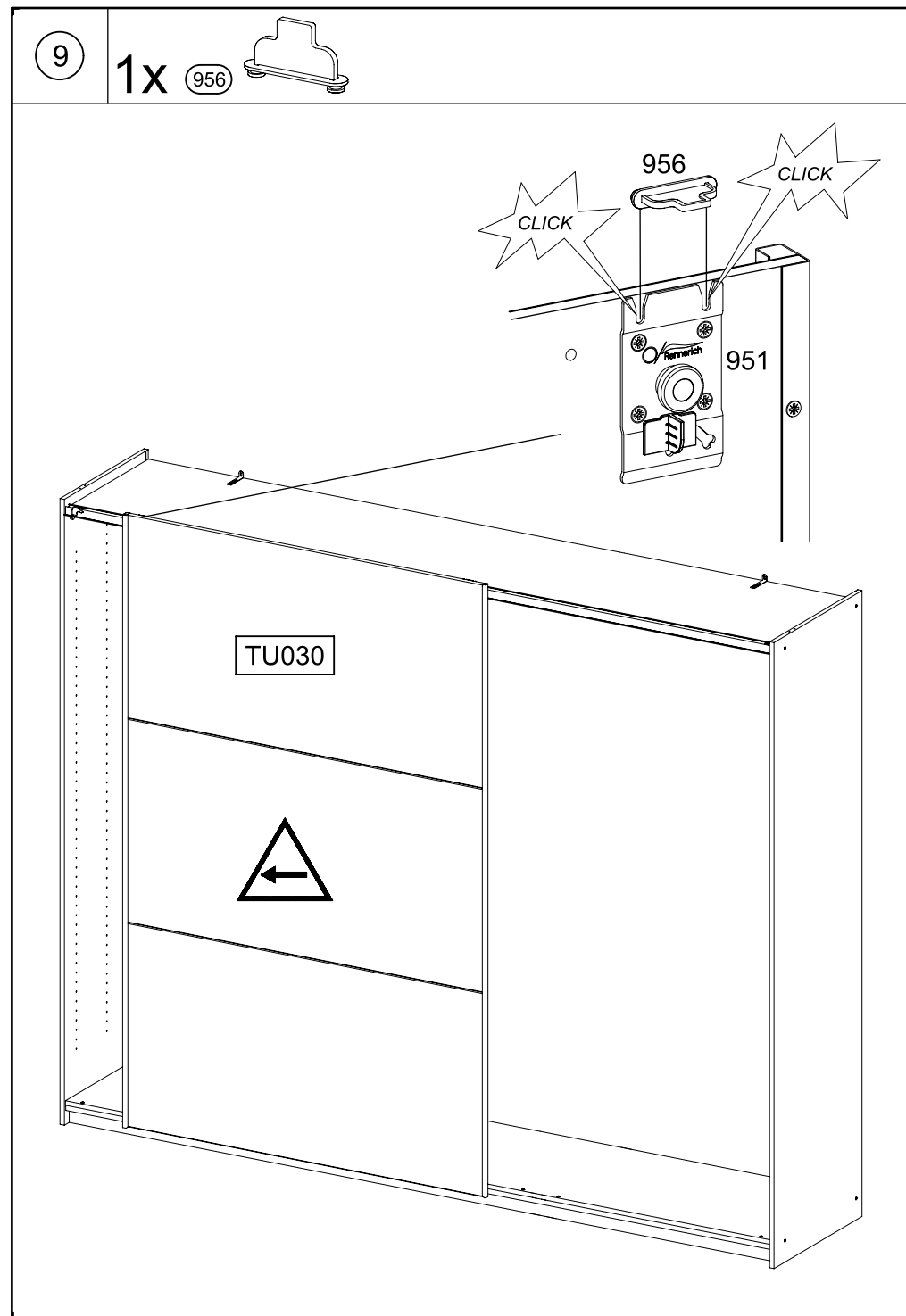
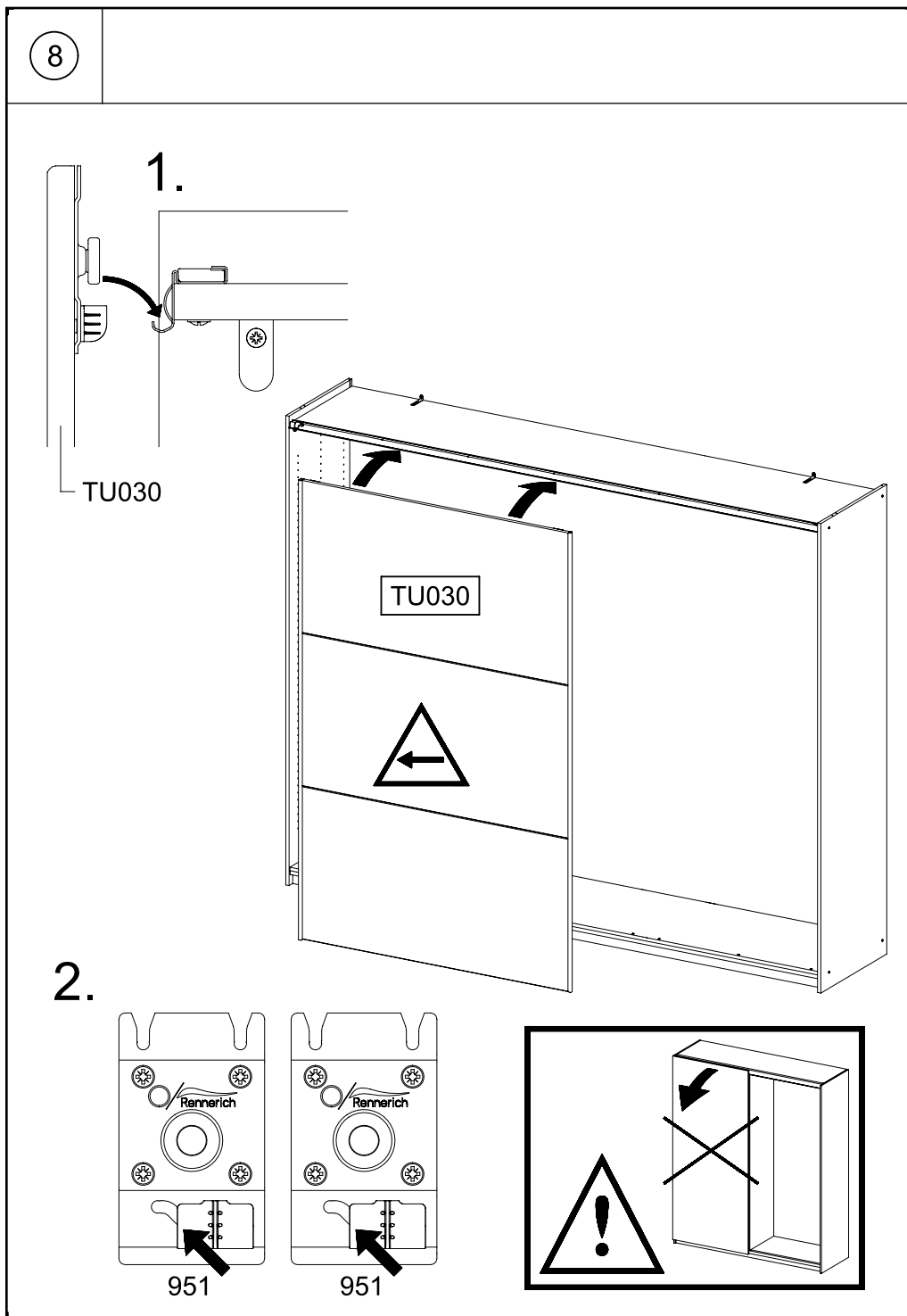
160

88



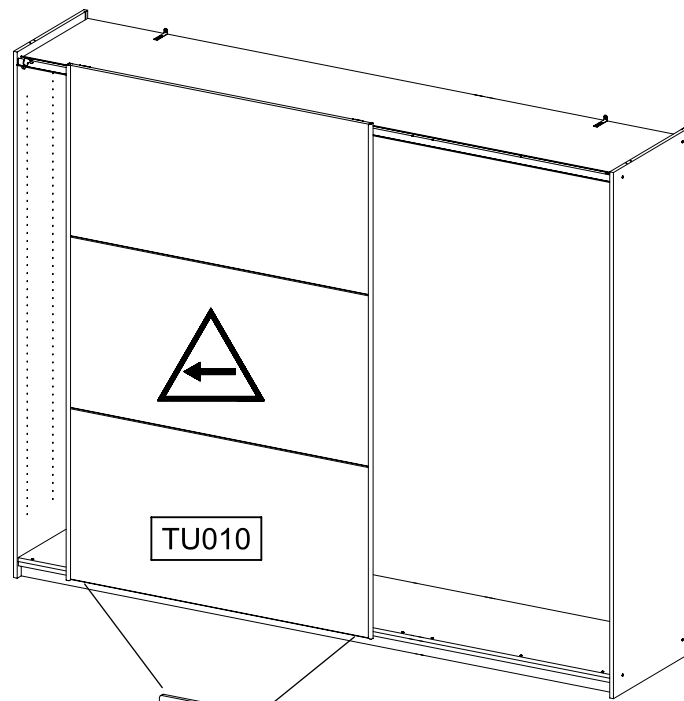






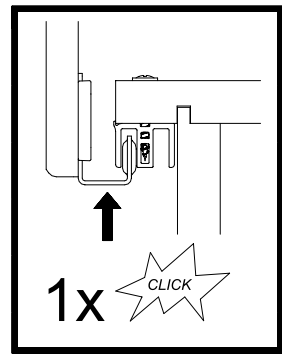
10

2x 954



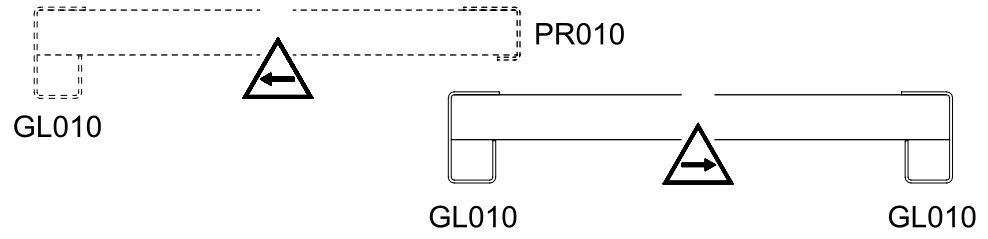
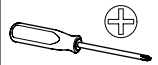
TU010

954



11

4x 88 3,5x12



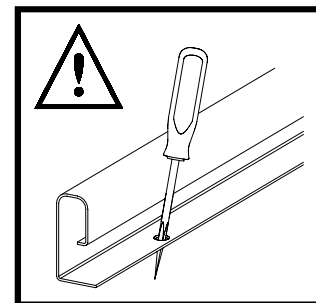
PR010

GL010

GL010

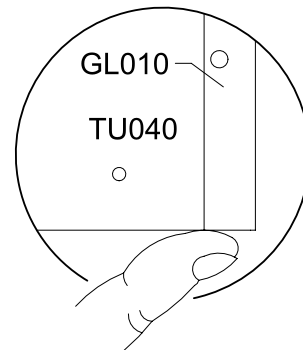
GL010

1.



GL010

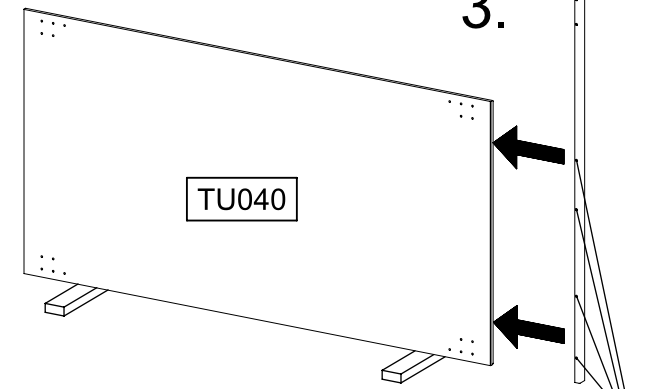
2.



GL010

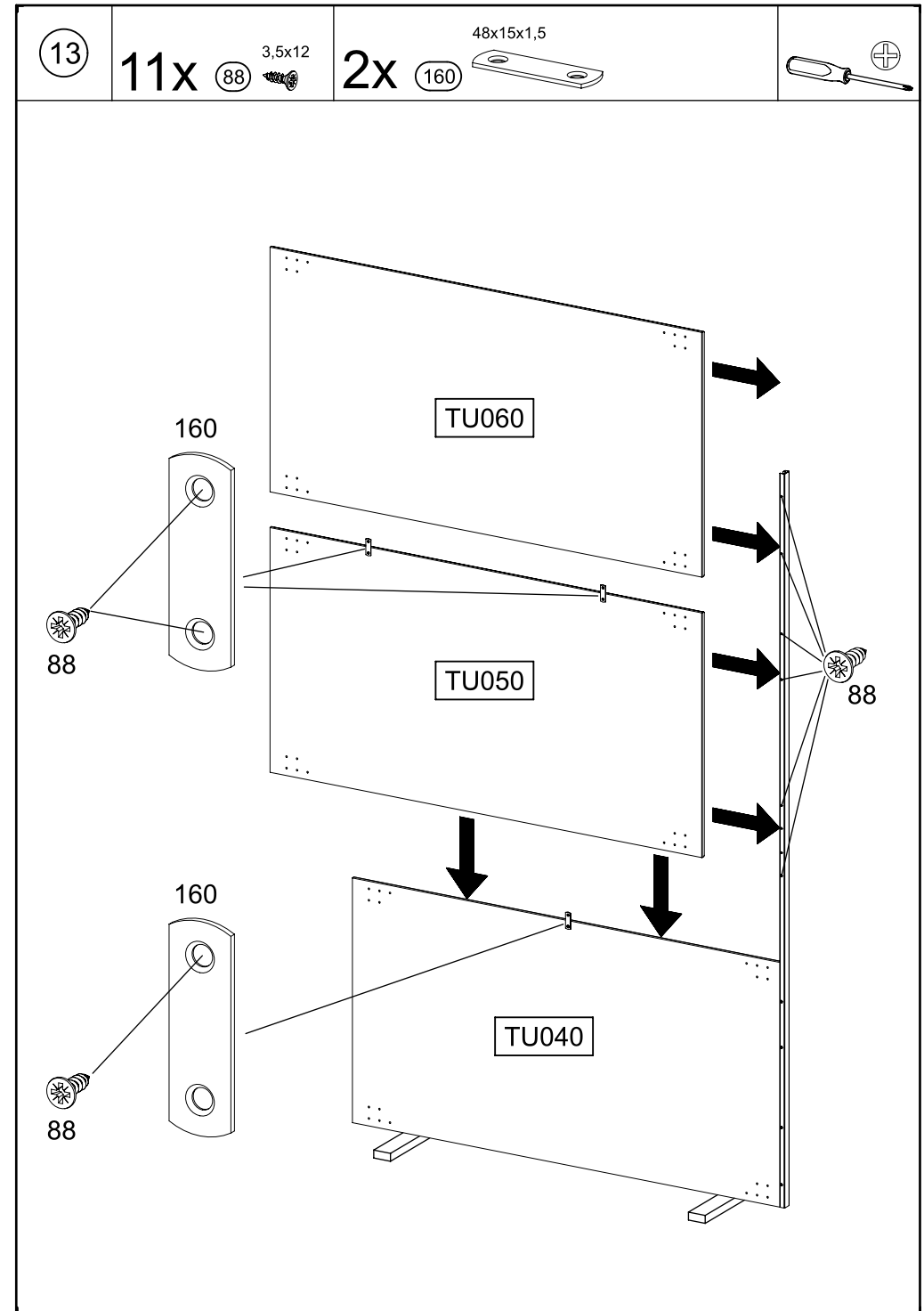
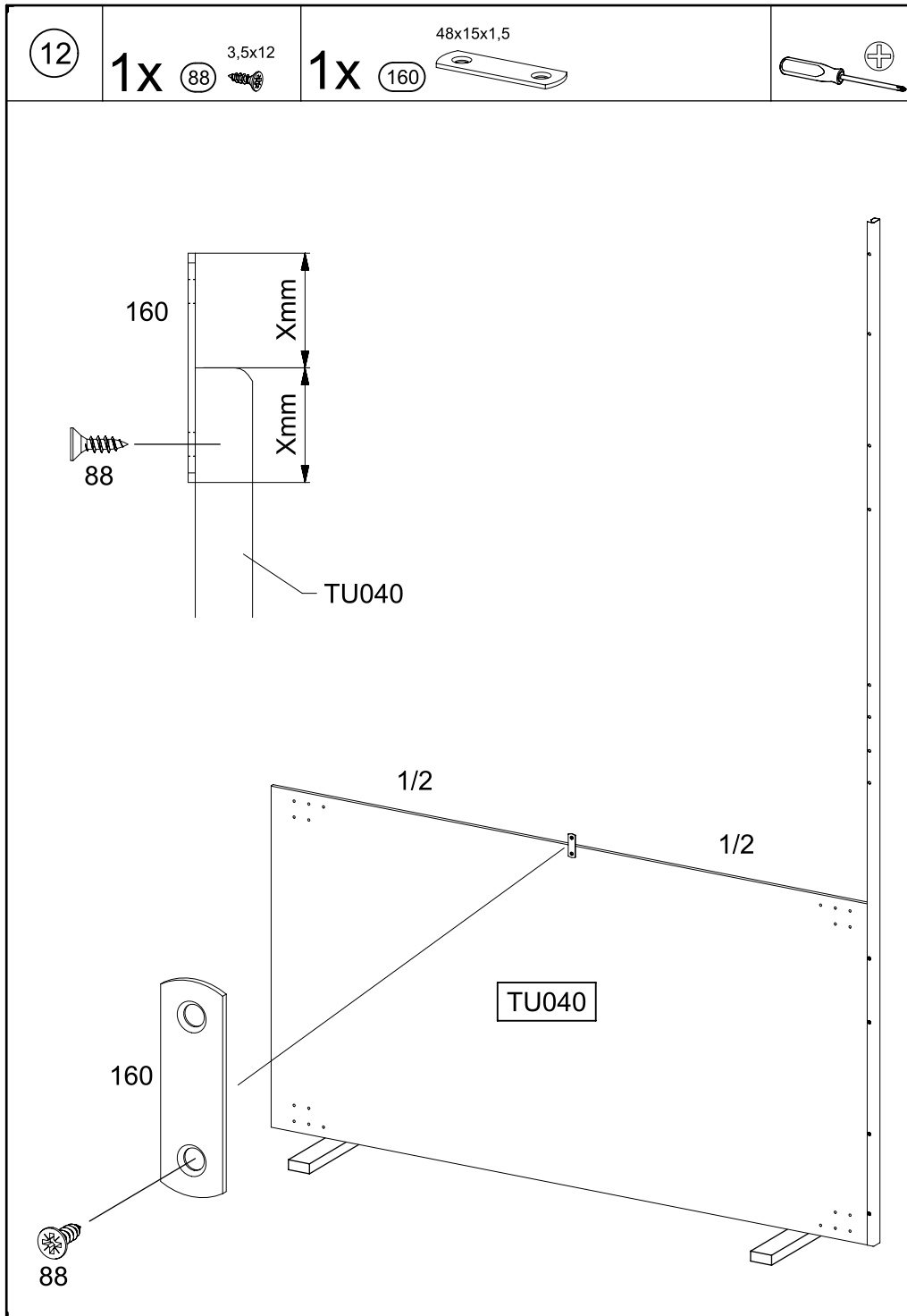
TU040

3.



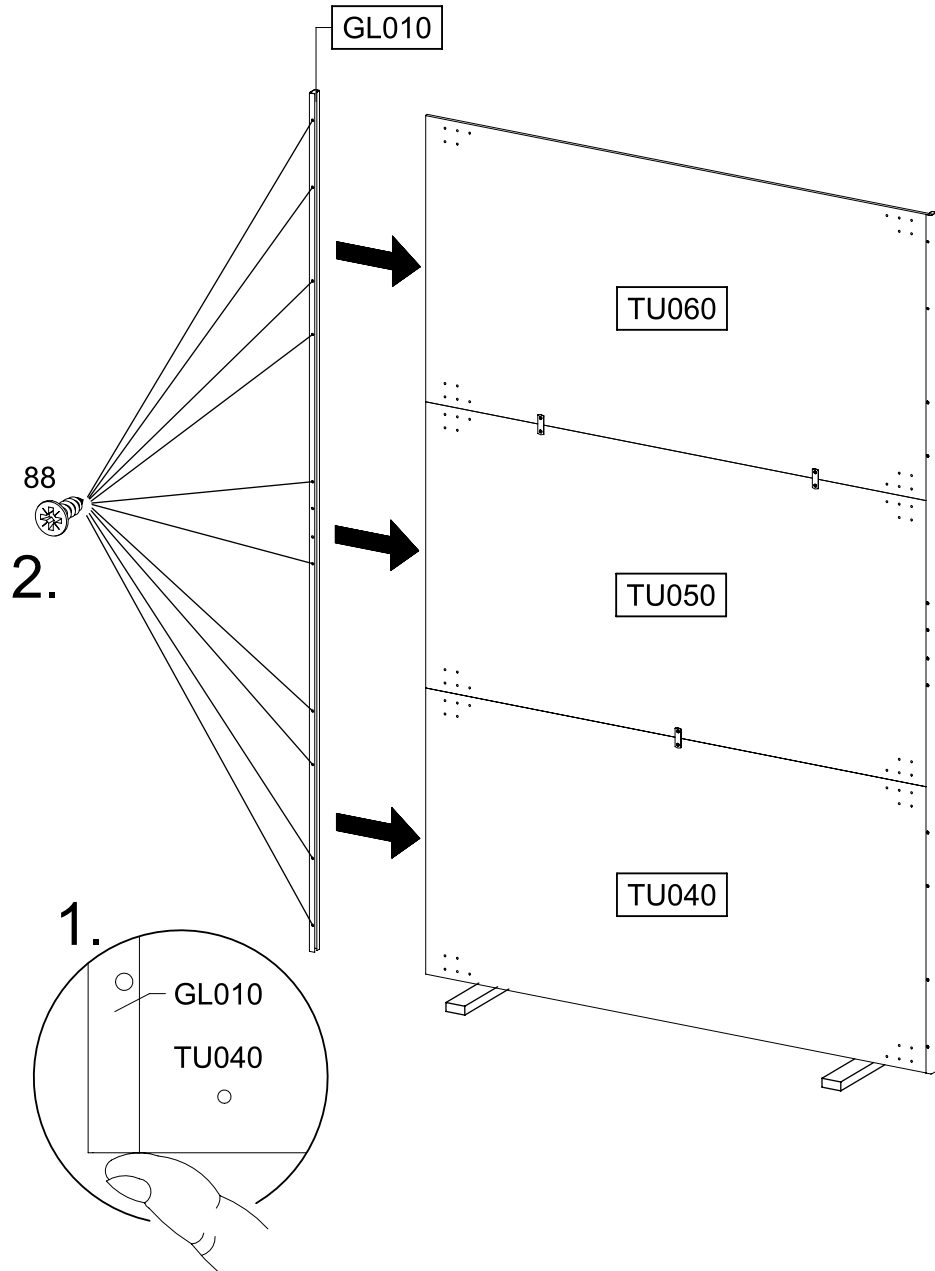
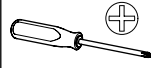
TU040

88



14

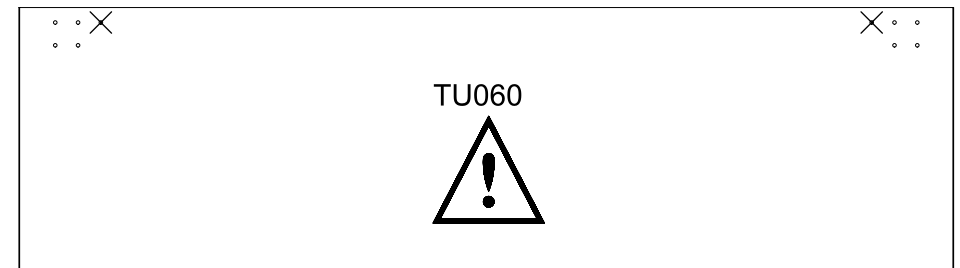
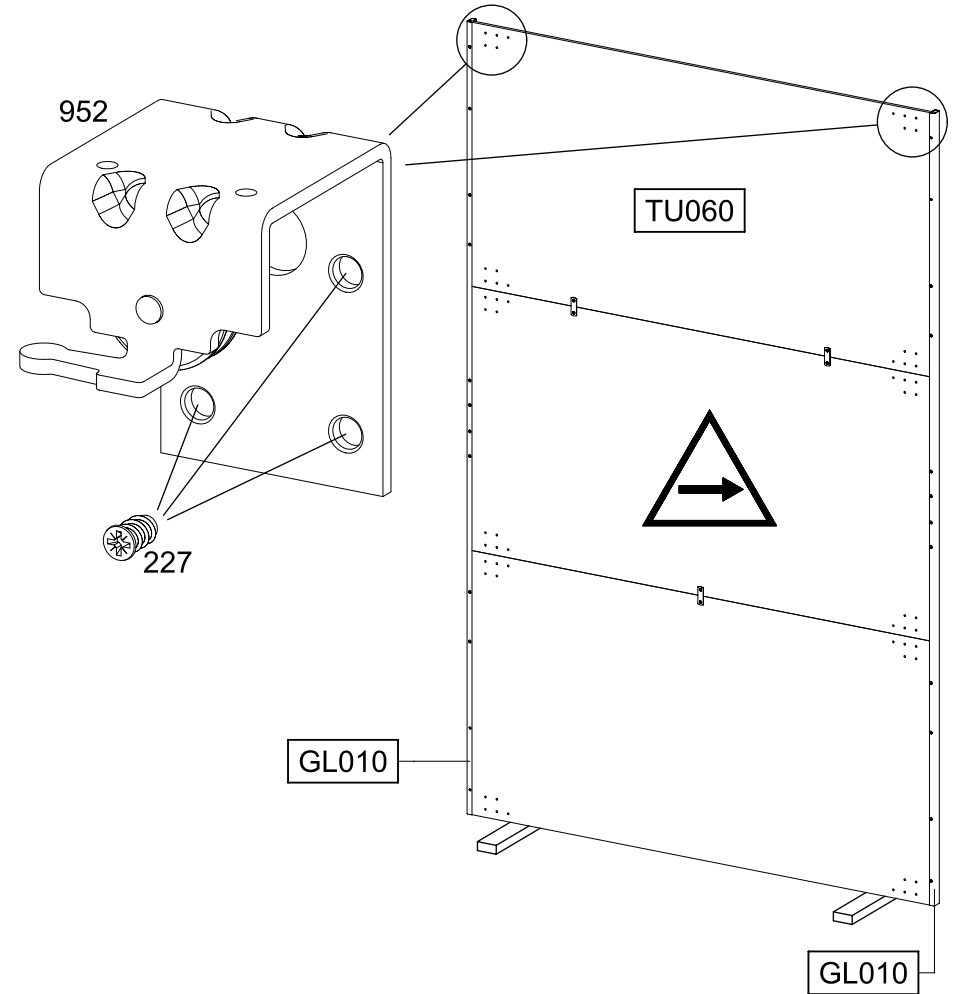
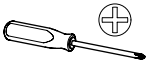
10x 88 3,5x12

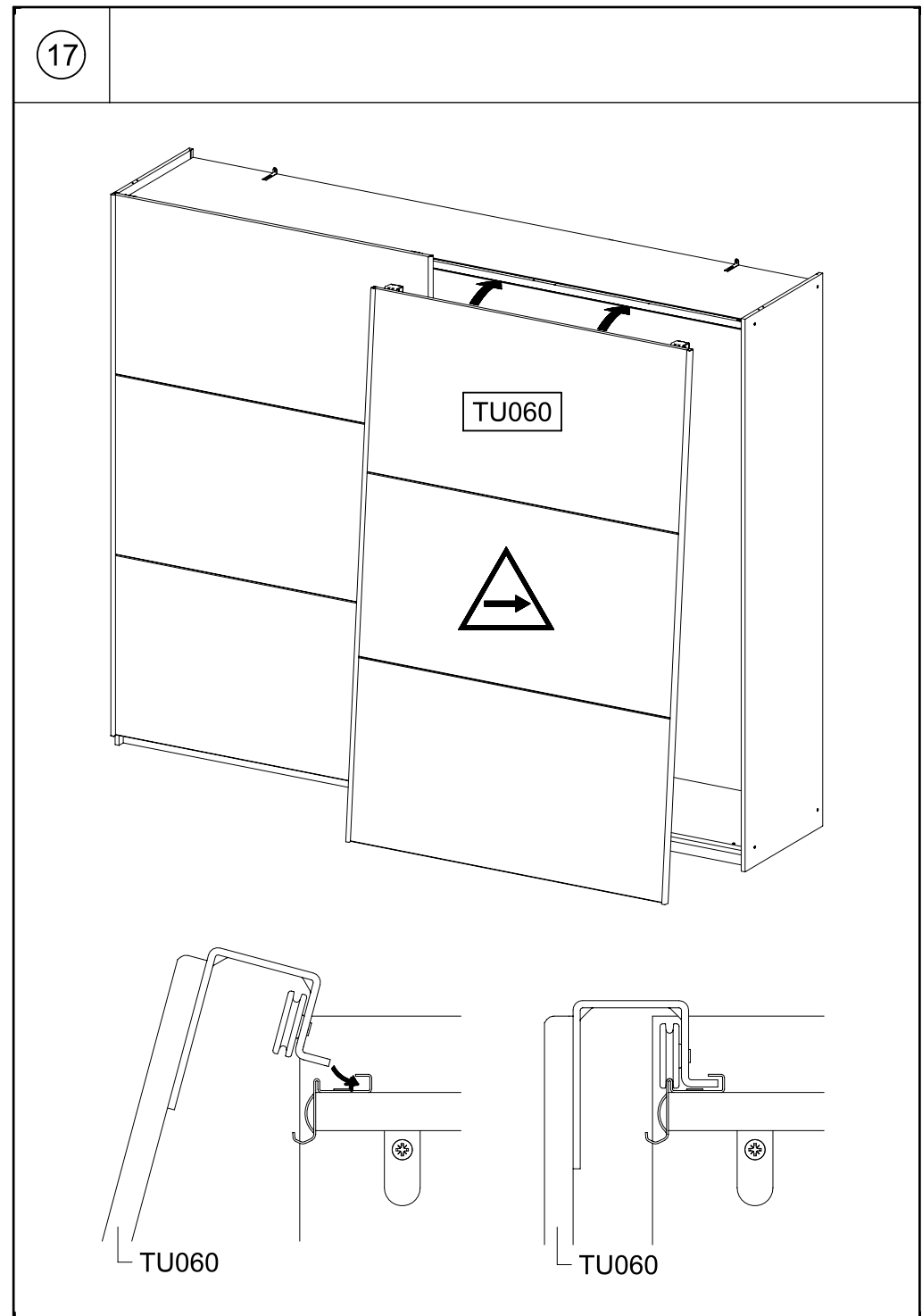
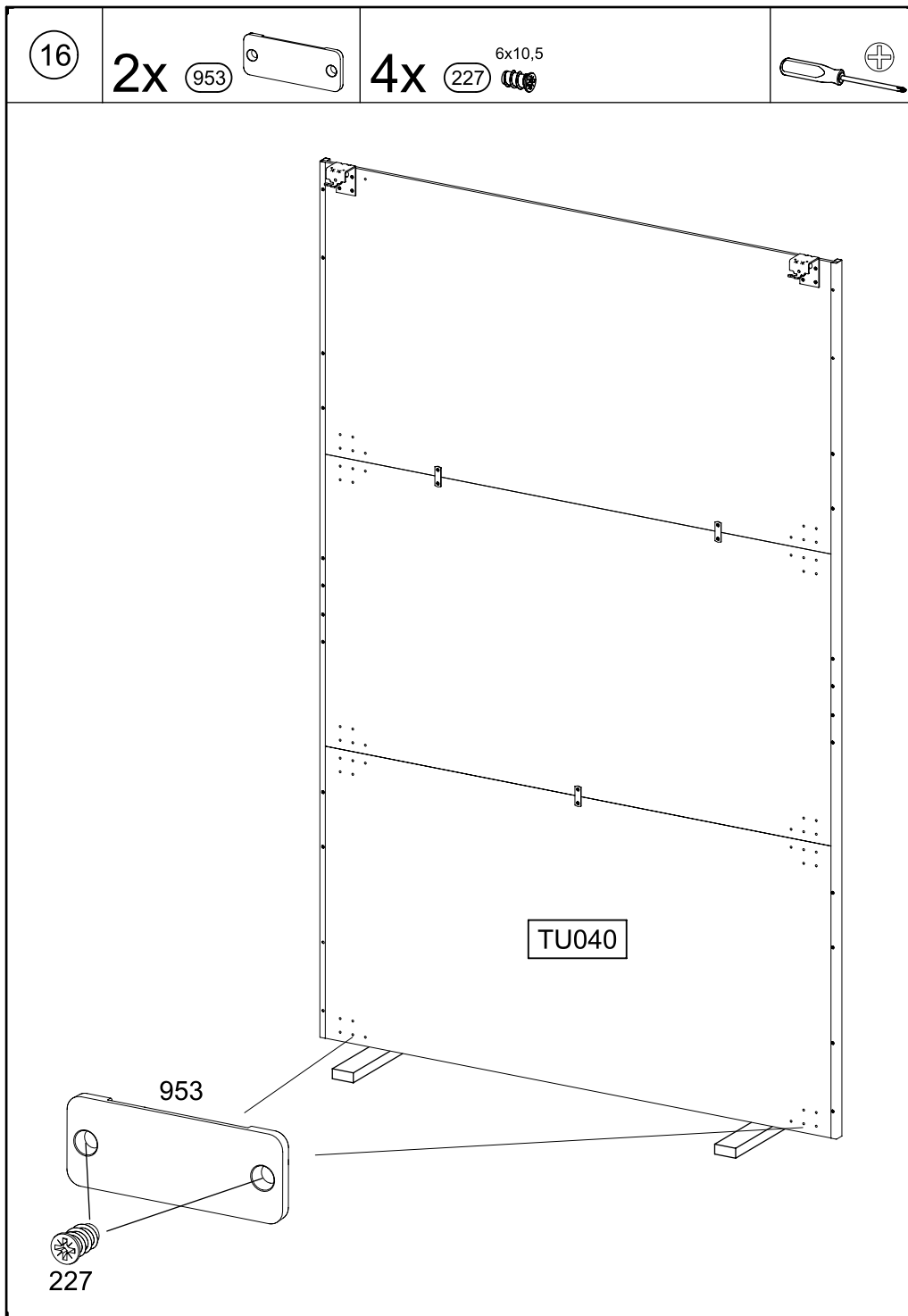


15

8x 227 6x10,5

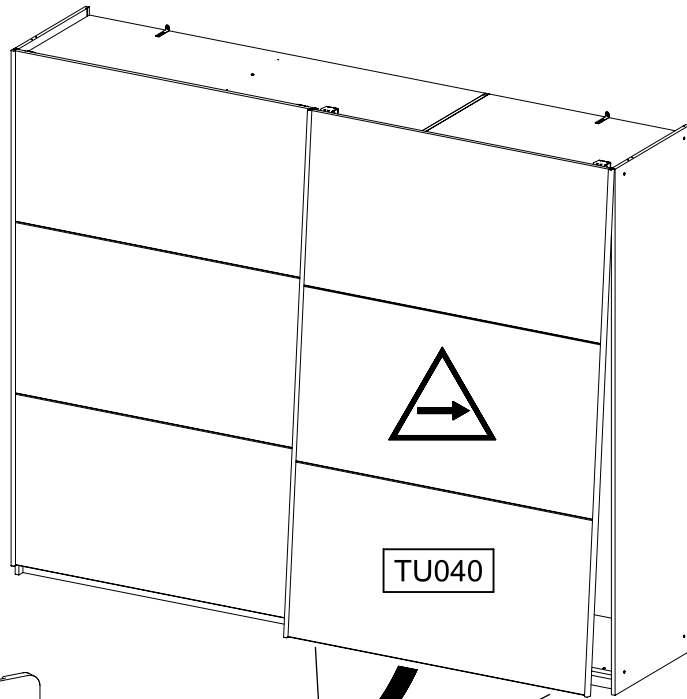
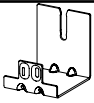
2x 952



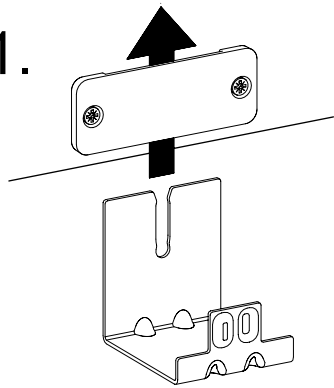


18

2x 955

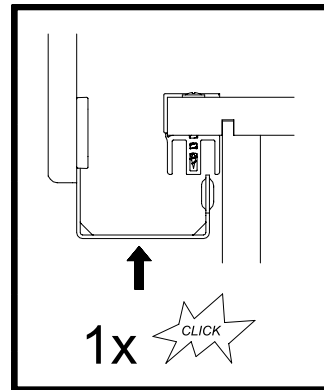
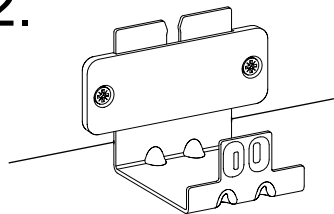


1.



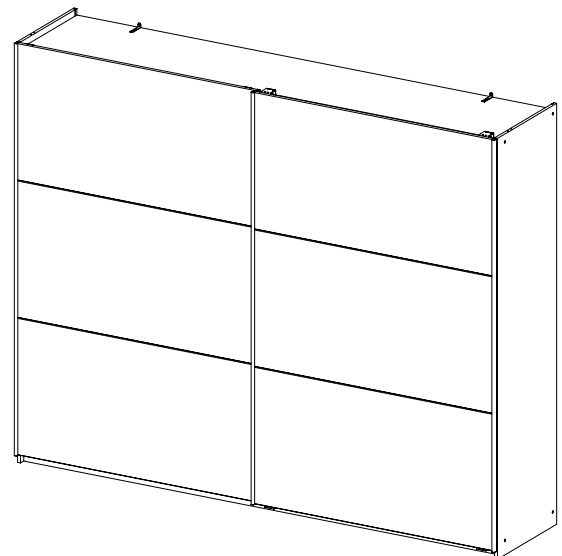
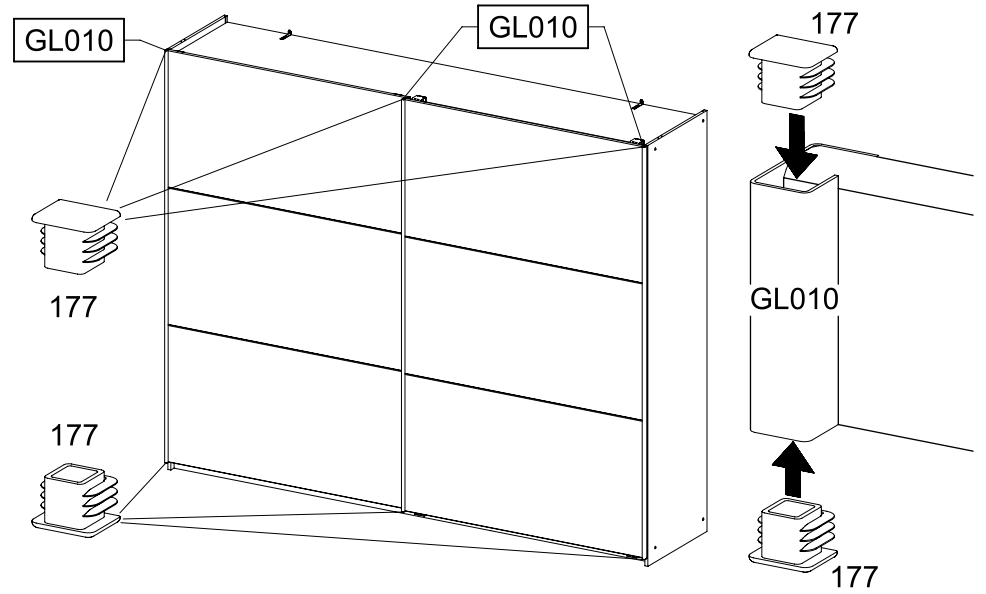
955

2.

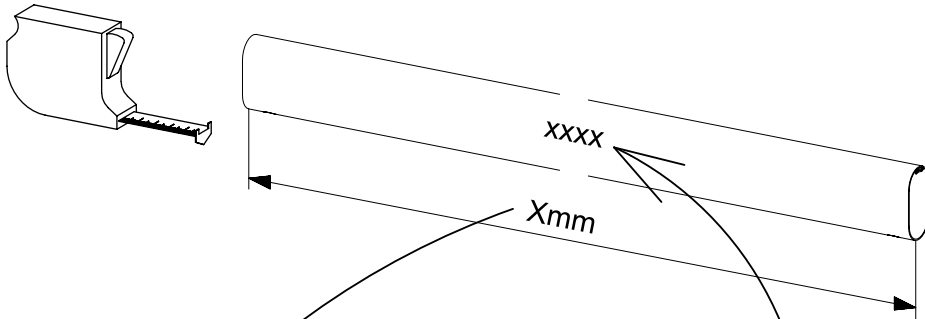
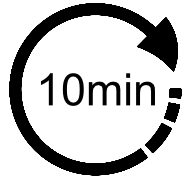
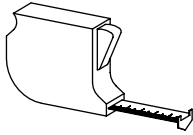
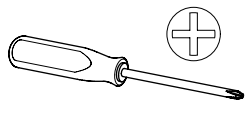


19

6x 177



MZ110_04




Xmm	  	xxxx
393mm	 max. 40kg	2000
426mm	max. 40kg	2001
538mm	max. 40kg	2011
563mm	max. 40kg	2002
650mm	max. 40kg	2003
809mm	max. 40kg	2004
873mm	max. 40kg	2006
890mm	max. 40kg	2010
1097mm	max. 40kg	2008

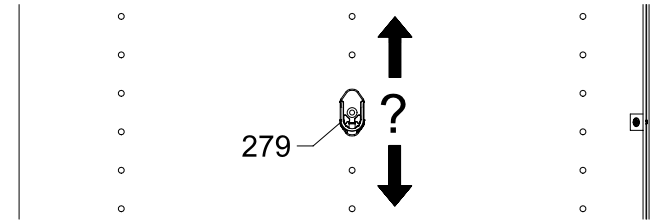
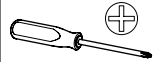
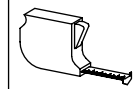


xxxx = 2000, 2001, 2002, 2003, 2004, 2006, 2008, 2010, 2011,

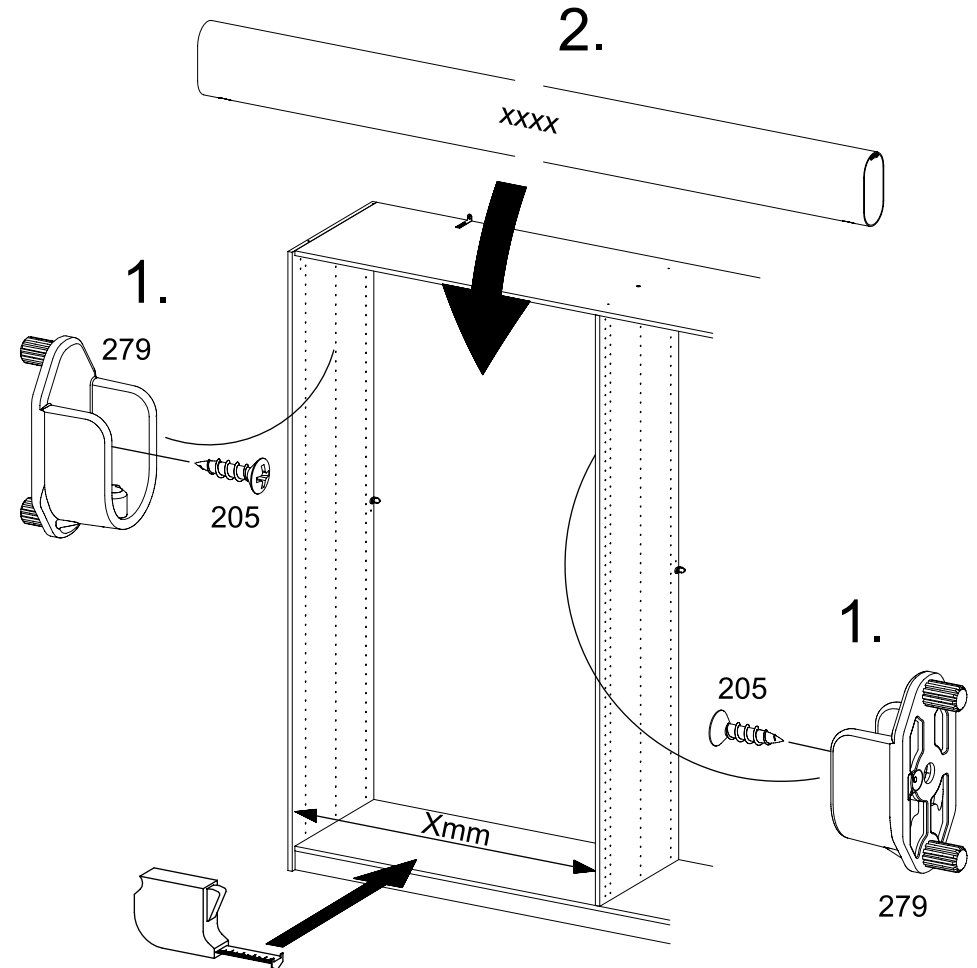
1

2x  3,5x15

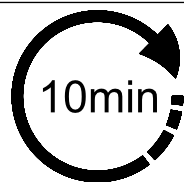
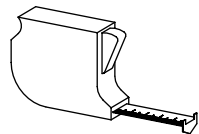
2x 


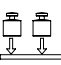


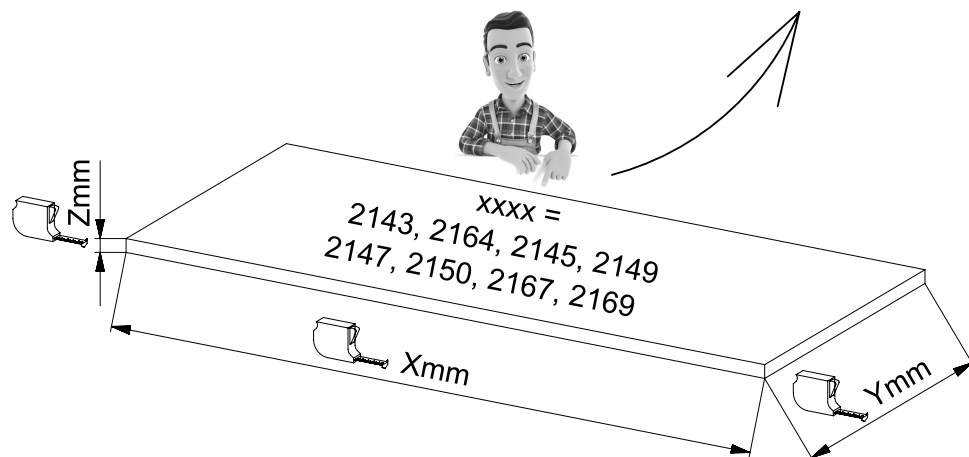
2.




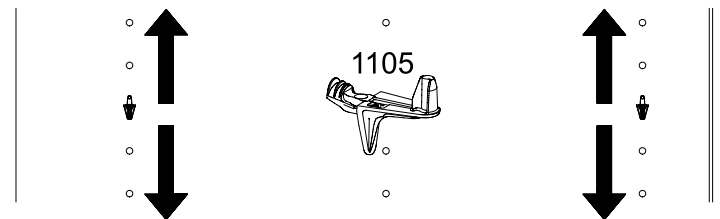
MZ112_05



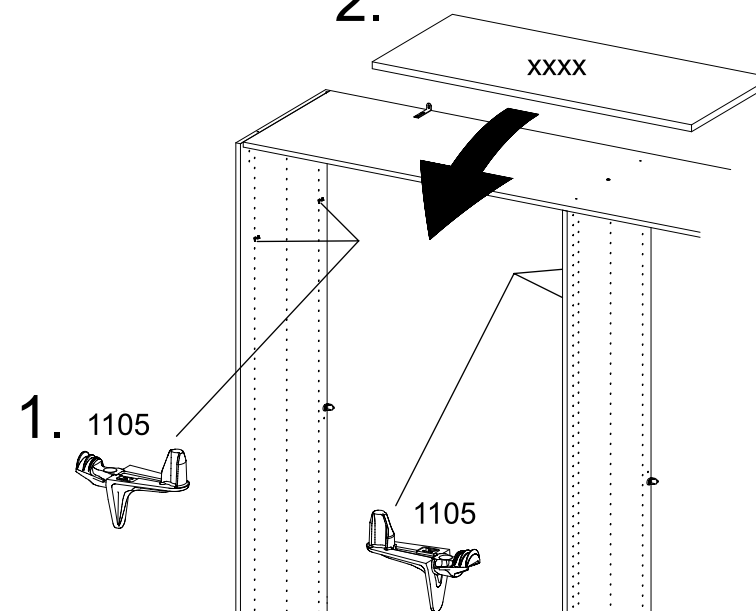
Xmm	Ymm	Zmm	 	XXXX
432mm	450mm	16mm	max. 10kg	2143
632mm	450mm	16mm	max. 10kg	2164
656mm	450mm	16mm	max. 10kg	2145
848mm	450mm	16mm	max. 10kg	2149
880mm	450mm	16mm	max. 10kg	2147
1064mm	450mm	22mm	max. 25kg	2150
848mm	395mm	16mm	max. 10kg	2167
632mm	395mm	16mm	max. 10kg	2169



1

4x  1105

2.



3.

